

BougeRV

220Wh Portable Power Station For Fridge

User Manual



Warranty

Limited Warranty

BougeRV provides a one-year quality warranty for customers who purchase this battery in the Amazon store or on BougeRV official website.

Warranty Period

The warranty period starts from the date of purchase by the original purchaser. When contacting customer service for warranty service, please provide a screenshot of the order from Amazon or the official website to confirm the warranty period.

Tips

If there is any problem with the battery, please provide photos or videos for us to judge the problem. After the technician confirming the problem, we will provide you with a return or an exchange.

Customer Support



service@bougeRV.com



1-669-232-7427
| Sun-Thu 6PM-12AM(PST)



www.bougeRV.com



Exclusions

BougeRV's warranty does not apply to:

- Product damage caused by customers not following the instructions for use.
- Damage caused by unauthorized disassembly or repair at a non-designated repair point.
- Products are not sold by the BougeRV Amazon store or the BougeRV official website.
- This limited warranty does not apply to any battery or product containing a battery unless you have fully charged the product within seven days of purchase and at least once every six months thereafter.



Contents

Product Safety Guidelines	-----	1
Specifications	-----	3
Battery Interface & Display	-----	4
Operating Instructions	-----	5
Charging Method	-----	6
Error Code & Troubleshooting	-----	8
Packing List	-----	10
FAQ	-----	11



Product Safety Guidelines

About The Use Of The Battery:

1. DO NOT expose the battery to any liquids. DO NOT immerse the battery in water. DO NOT expose the battery to rain or near sources of moisture. Moisture in the device could cause short circuits, component failure, fires, or even an explosion.
2. Using the battery above 140°F(60°C) may cause fire or explosion. Using the battery below 32°F(0°C) will severely affect the performance of it. Make sure the battery returns to normal operating temperature before use.
3. DO NOT use the battery in strong electrostatic or electromagnetic environments. Otherwise, the control board of the battery may malfunction and cause a serious accident during use.
4. Avoid collision. DO NOT place heavy objects on the battery.

About Battery Charging:

1. ONLY use BougeRV-approved charging cables. BougeRV does not take any responsibility for any damage caused by using non-BougeRV charging cables.
2. When charging, please place the battery on the ground with no flammable or combustible materials around it.
3. To prevent accidents, never leave the the battery unattended during charging.
4. To avoid overheating the battery, do not charge it immediately after a prolonged heavy load. Make sure the battery cools down to normal temperature before charging.

About Battery Storage:

1. If a low-battery warning appears, charge the battery before storing it. Otherwise, long-term storage may cause damage to the battery.
2. Battery will enter hibernation mode if it is depleted and stored for a long time. Charging the battery can bring it out of hibernation.
3. DO NOT place the battery near a heat source, such as a car in direct sunlight, a fire source, or a heating stove.
4. Store the battery in a dry environment. Please keep the battery away from water.

About Battery Maintenance:

1. Temperature for normal use and storage of this battery is 32°F to 105°F(0°C to 40°C). Cold temperature(below 32 ℉) can affect the battery capacity due to its chemical characteristics.
2. When using or storing the battery, keep it within an ambient temperature range of 32 ℉ to 105°F(0 to 40°C) to prolong battery life.
3. If the battery is not used for a long time, the battery life may be reduced.
4. Please keep the battery fully charged at least once a month. Please charge the battery when the display shows that the battery capacity is below 20%.

Travel Notice:

Do not take this battery on an airplane.

Specifications

Input

AC Charge	12.6V/5A, 63W Max, 3.2 Hours 0-80%
Car Charge	12V/6A, 72W Max, 3 Hours 0-80%
PV Charge	12-28V, 6A 100W Max, 2 Hours 0-80%
USB-C Charge	20V/3A, 60W Max, 3.2 Hours 0-80%

Output

Cigarette	14.5V/9A, 130W Max
USB-C	5V/9V/12V/15V/20V, 3A 60W Max
USB-A	5V3A, 9V/2A, 12V/1.5A 18W Max

Environmental Operating Temperature

Operating Temperature	32°F to 122°F
Discharge Temperature	14°F to 150°F
Charge Temperature	32°F to 130°F
Storage Temperature	32°F to 104°F

Battery Info

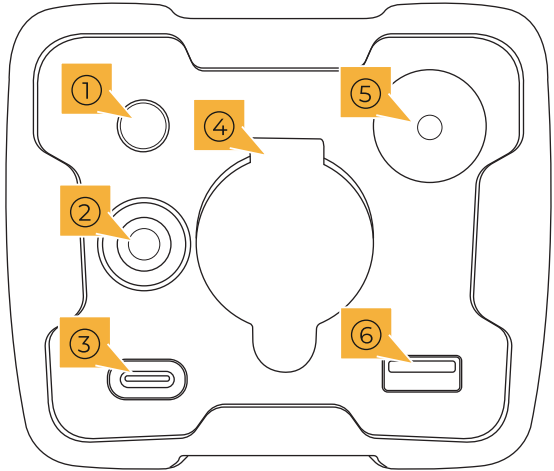
Cell Chemistry	Li(NiCoMn)O₂
Cycle Life	300+ Cycles to 80% Capacity

General Info

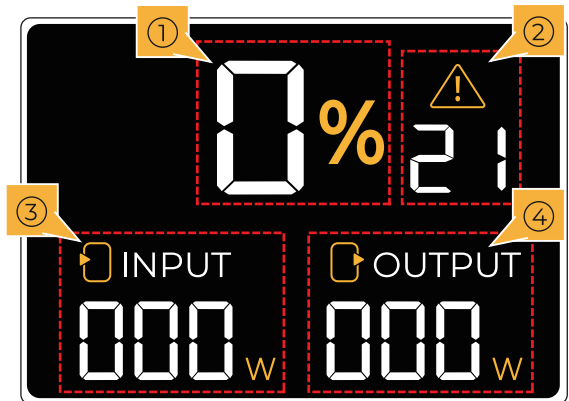
Net Weight	1.5kg/3.3LBS
Product Dimensions	7.08*3.3*3inches
Capacity	220WH
Certification	FCC, PSE, UN38.3

Battery Interface & Display

- ① Power Button
- ② DC/Car/PV Charging Input
- ③ USB-C In-Out
- ④ Cigarette Output
- ⑤ LED Light
- ⑥ USB-A Output





- ① Battery Capacity
- ② Error Code
- ③ Input Power
- ④ Output Power





Operating Instructions



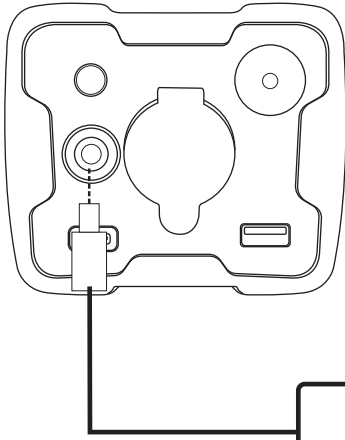
In the state of no input/output, short press “” to turn on/off the power station and display. The power station remains on standby mode.

When the power station detects input/output power, the display will light up. At this time, you can short press the “” to turn off/on the display.

Long press the “” for 2s to turn on/off the LED light, and then short press “” to switch between Strong/Weak/SOS modes.

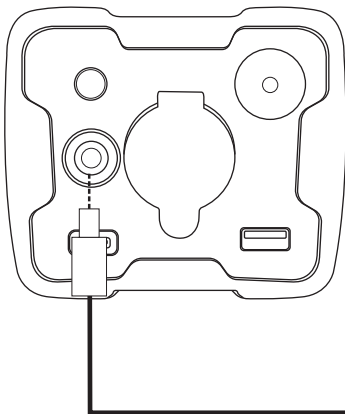
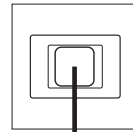
ECO Mode: When there is no input or output power after 3 hours, the power supply will automatically enter the standby mode.

Charging Method



AC Charging

63W Max, 3.2 Hours 0-80%

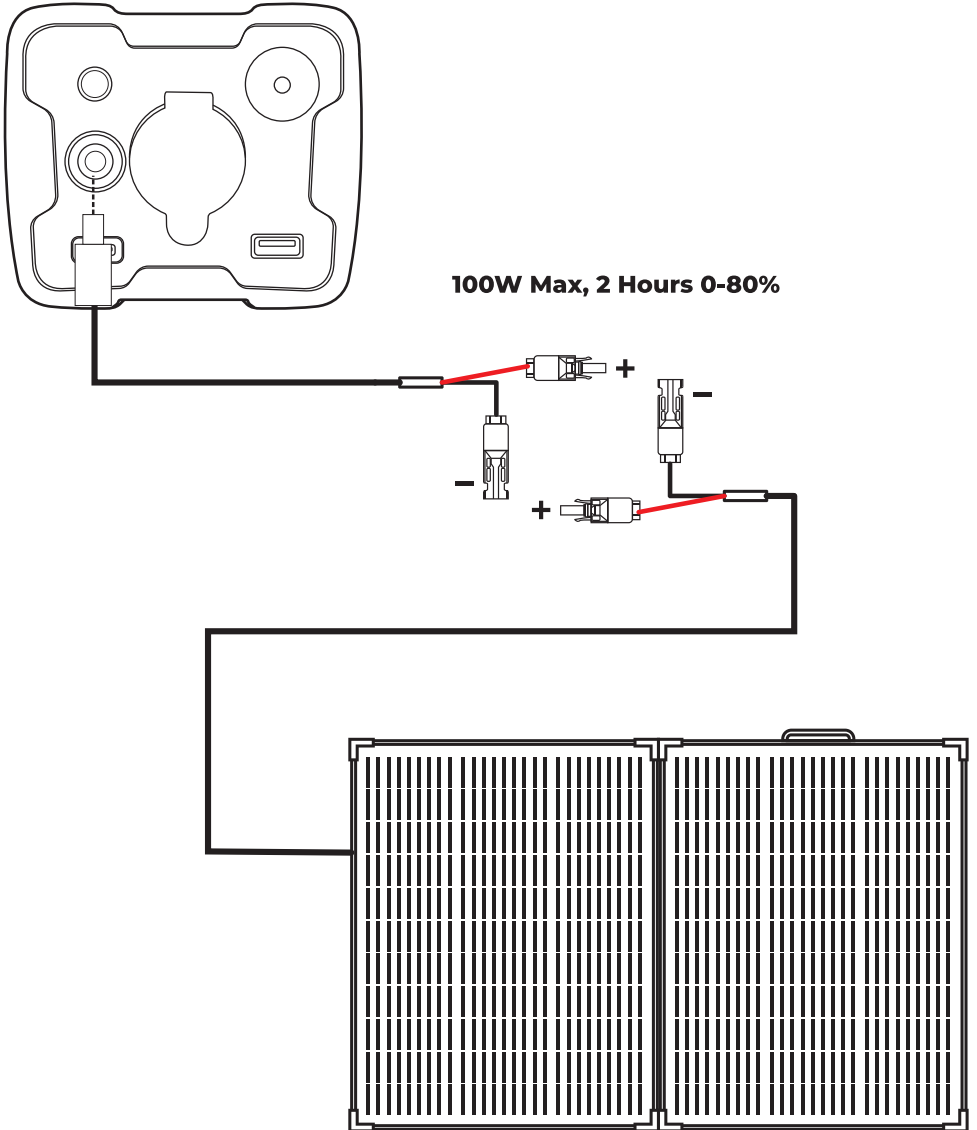


Car Charging

72W Max, 3 Hours 0-80%



PV Solar Charging



Error Code & Troubleshooting



Error Code & Troubleshooting		
Error Code	Explanation	Troubleshooting
11: Output Over-Temperature Protection	Output shuts off above 158°F, auto-recover below 149°F	Short press the power button to clear the error code
12: Output Low-Temperature Protection	Output shuts off below 14°F, auto-recover below 19°F	Short press the power button to clear the error code
13: Input Over-Temperature Protection	Input cuts off above 131°F, auto-recover below 125°F	Short press the power button to clear the error code
14: Input Low-Temperature Protection	Input cuts off below 32°F, auto-recover below 41°F	Short press the power button to clear the error code
15: Charge-discharge Over-Temperature Protection	Cut off the output when the temperature is above 212°F, and automatically recovers when the temperature is below 206°F	Short press the power button to clear the error code

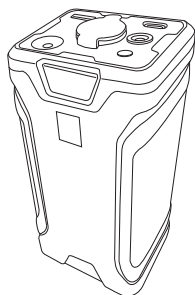
Error Code & Troubleshooting

Error Code	Explanation	Troubleshooting
31: DC Input Over/Under Voltage Protection	If the voltage of the DC-Input is lower than 11V or higher than 29V, the code will appear.	<ol style="list-style-type: none"> 1. Please check if the adapter is of 63W specification 2. Make sure the rated working voltage of a single solar panel is not higher than 29V 3. Short press the power button to clear the error code
41: Cigarette Port Output Over/Under-Voltage/Short Circuit Protection	/	Short press the power button to clear the error code
42: Cigarette Port Output Overcurrent Protection	/	Short press the power button to clear the error code
43: Cigarette Port Output Overload Protection	The power of Cigarette Port Output over 130W	<ol style="list-style-type: none"> 1. Use electrical appliances with rated power less than 130W 2. Short press the power button to clear the error code
51: USB-C Input Overvoltage Protection	If the voltage of USB-C Input is over 24V	<ol style="list-style-type: none"> 1. Please check if the adapter is 63W specification 2. Short press the power button to clear the error code
52: USB-C Output Overvoltage Protection	/	Short press the power button to clear the error code
61: USB-A Output Overvoltage Protection	/	Short press the power button to clear the error code
62: USB-A Output Short Circuit Protection	/	Short press the power button to clear the error code

Packing List

Check the package and make sure you received all accessories. If any of these are missing, please feel free to contact us via service@bougeRV.com

- ① 220Wh Fridge Portable Power Station *1
- ② 63W AC Adapter *1
- ③ Car Charging Cable *1 (Cigarette lighter to DC7909)
- ④ User Manual *1



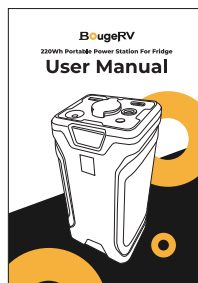
①



②



③



④



Q1: Can I keep it in the car when I'm not using it?

A: Considering that the temperature inside the car may exceed 140°F in a closed environment, we do not recommend that you leave the battery in the car.

Q2: What are the benefits of this battery for the car refrigerator?

A: The maximum output voltage of the cigarette port can reach 14.5V, which is perfectly suitable for the high, medium, and low gears of the car refrigerator. Even when the battery capacity is near 0%, it can still have a stable 14.5V output, so as to achieve a longer load time.

Q3: What kind of solar panel should I buy to charge this battery?

A: We recommend you buy the 130W BougeRV Portable Solar Panel for charging. If you want to know more specifications, you can search on Amazon using keywords: BougeRV 130W Solar Panels.

Q4: What should be paid attention to in daily use?

A:

- Please keep it fully charged at least once a month, 0%-100%. Please charge the battery when the display shows that the battery capacity is below 20%.
- Make sure the battery works between 32-104 °F .
- Low and high temperatures can shorten battery life.
- Please ensure that the battery is stored in a dry environment, away from direct sunlight and flammable sources.

BougeRV