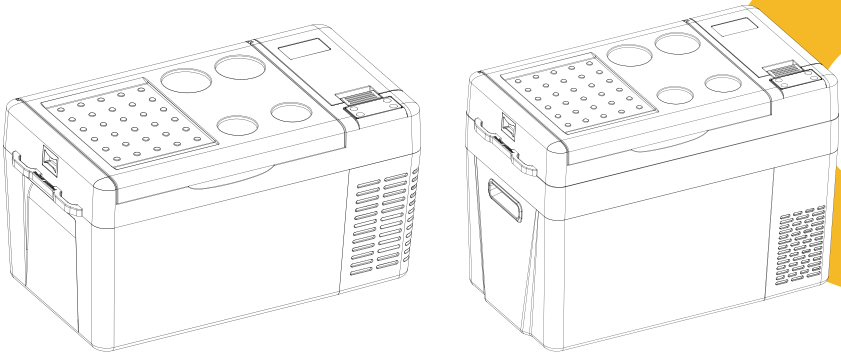


**BougeRV**

# USER MANUAL

For Portable Car Refrigerator



**Model: CR PRO 20 / CR PRO 23 / CR PRO 25 / CR PRO 30**

**Please read this operating manual carefully before using the device.**

**Keep it for future reference.**



# Contents

1. Safety Instructions .....	1
2. Product Features .....	2
3. Product Structure .....	2
4. Preparing Before Use .....	3
5. Operation Instruction .....	3
6. Car Battery Protection Voltage Reference .....	5
7. Cleaning and Storage .....	6
8. Troubleshooting and Error Problems .....	6
9. Warranty and Maintenance .....	9
10. Specification .....	10



# 1. Safety Instructions



**WARNING!** Failure to obey these warnings could result in a malfunction of your device and possible injury for yourself and other users.

- Do not operate the device if it is visibly damaged.
- Do not block the gaps of the device with things like pins, wire, etc.
- Do not expose the device to rain or soak it in water.
- Do not place the device near naked flames or other heat sources (heaters, direct sunlight, gas ovens, etc.)
- Do not store explosive substances like spray cans with flammable propellants in the device.
- Before starting the device, ensure that the power supply line and the plug are dry.
- Check if the voltage specification on the type plate matches that of the energy supply.
- Once unpacked and before turning on, the device must be placed on a level surface for more than 6 hours.
- Make sure that the device stays horizontally when it is running. The tilt angle must be less than 5° for a long time running and be less than 45° for short time running.
- The refrigerator must be well ventilated for heat dissipation and make sure to keep some space around it. (Back Space>200mm, Side Space>100mm)
- The device may only be repaired by qualified personnel. Improper repairs can lead to safety hazards. If the power cable is damaged, it must be replaced by the manufacturer, customer service, or a similarly qualified person in order to prevent safety hazards.



## **NOTICE!**

- The device can be used by children aged 8 or over, as well as by persons with reduced physical, sensory or mental capabilities or a lack of experience and/or knowledge, providing they are supervised or have been taught how to use the device safely and are aware of the resulting risks.

Children must be supervised to ensure that they do not play with the device.

- The installation of DC power in the boat must be handled by qualified electricians.
- Never pull the plug out of the socket by the cable.
- Disconnect the device or switch it off when you turn off the engine. Otherwise, you may discharge the battery.



## **CAUTION!**

Food is suggested to be stored in its original packaging or in suitable containers. Set the suitable temperature for food or medicine stored in the device.

## 2. Product Features

**Multiple Application Scenarios:** you can use the fridge on various vehicles such as SUV, Truck, RV, Camper, Jeep, Van, Boat, etc. You can take it with you, during camping, tailgating, road trips, outdoor travels, off-road, even at home.

**Freezer or Refrigerator:** with a temp range -8 °F~50°F(-22°C~-50°C), you can use it as a freezer or refrigerator.

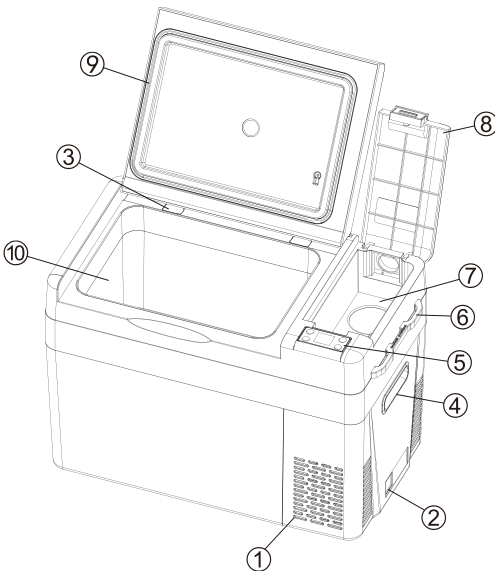
**Energy Efficiency:** with ECO energy-saving mode, the operating mode is less than 45W. It consumes far less than 1kwh/day for its intelligent cycle work.

**Fast Cooling with Compressor Refrigeration:** running on Max mode in empty condition, the freezer could achieve 15 min fast cooling from 77°F to 32°F and 50 min from 77°F to -4°F

**3-level battery protection mode:** the battery monitor will shut off the fridge/freezer as soon as the supply voltage falls below the set level.

**45dB Low Noise:** the fridge is designed with low noise to make sure you have a good sleep after long driving.

## 3. Product Structure

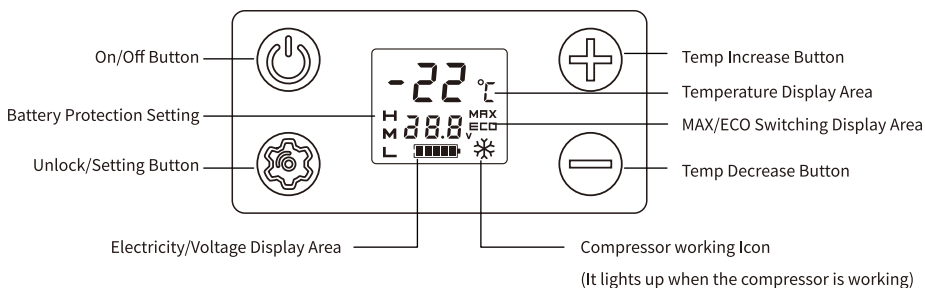


1. Ventilation Port
2. 12/24V Power Outlet
3. Damping Door
4. Interior Handle
5. Control Panel
6. Safety Tie-down Point
7. Storage Compartment
8. Lid
9. Sealed Rubber Ring
10. Refrigerator Compartment

## 4. Preparing Before Use

1. Unpackage and take out the accessories and lay the refrigerator flat for 24 hours.
2. Before using it for the first time, clean the inside and outside of the refrigerator with a damp cloth and wait until it gets dry.
3. Place your refrigerator in a proper position which depends on your use scenario (car, truck, RV, camper, Van, Jeep, SUV, boat, home, etc.)
4. According to your use scenario, please choose the corresponding power cord (AC cord or DC cord) for the power supply. Please read the next part carefully for the details.

## 5. Operation Instruction





### Power Supply



Connect to 12/24 DC power (use in car, truck, or power station)  
Connect to 110~240V AC power (use a home outlet or ac outlet of power station)

### Display Screen Initialization



When the refrigerator is powered on, you will hear a "BEEP" sound, and the display will flash once, and then nothing will be displayed. This means that the refrigerator is at the standby status.  
(Note: When the refrigerator is at the standby status, you can't operate it until the refrigerator is turned on)

**Turn on/off** Press  for one time to turn on the refrigerator when it is at the standby status.  
Press and hold  for 3 seconds to turn off the refrigerator.

---

**Temperature Setting** In working status, press  or  for temperature setting. The setting will be saved automatically after stopping operating for 4 seconds. If you keep holding the button, the temperature will be adjusted fastly. (Note: the temperature displayed is the current temperature of the compartment. The refrigerator will take a while to reach the set temperature.)  
Temperature setting range: -22~+10°C (-8~50°F)



---

**MAX/ECO Mode Switching** In working status, press  one time, and the "MAX/ECO" will flash. Then press  again, and you can switch to MAX or ECO working mode. If you stop the operation for 3 seconds, it will automatically confirm the mode you are going to switch to.  
ECO: Energy Saving Mode, 45 watts.  
MAX: Fast Cooling Mode, 60 watts.

---

**Temperature Unit Switch** In working status, press  and  at the same time for 3~5 seconds to switch Celsius(°C)/Fahrenheit(°F). (Factory setting is °F).

---

**Battery Protection Setting**  
**H→M→L** Battery Protection Setting  
In working status, long press  until the "H" flashes, and then press  to switch the HIGH, MEDIUM, or LOW levels.  
It is suggested to set a HIGH level of the fridge when connecting with a car battery.  
To set MEDIUM and LOW levels when with a power station or other batteries. (Factory setting is H)

This car refrigerator has a power-off memory function, and the working state (power on/off state and working mode) before the power off is automatically restored after the next power on, and there is no need to set it again.



## 6. Car Battery Protection Voltage Reference

The BougeRV fridge/freezer is equipped with a battery preservation monitor. It has three settings to monitor your battery to prevent a full discharge. The higher level you set, the higher the cut-off voltage will be.

- When you set it to HIGH, the battery monitor will provide maximum protection for the battery running the fridge/freezer against excessive/full discharge.
- When you set it to LOW, the battery monitor will allow the fridge/freezer to use more of the battery energy.

Voltage		Factory default voltage protection level sets to H Mode		
		High mode	Medium Mode	Low mode
12V DC	Cut out	11.3V	10.1V	9.6V
	Cut in	12.5V	11.4V	10.9V
24V DC	Cut out	24.6V	22.3V	21.3V
	Cut in	26.0V	23.7V	22.7V

**NOTE:** Cut-out is the input voltage in which the fridge/freezer will turn off.  
Cut-in is the input voltage in which the fridge/freezer will turn on.

- The battery monitor will shut off the fridge/freezer as soon as the supply voltage falls below the set level. The fridge/freezer will restart after 2 minutes once the cut-in voltage is reached.

## 7. Cleaning and Storage

### ■ Cleaning:

- Unplug the refrigerator first to avoid electric shock.
- Use a wet cloth to clean the refrigerator and dry it.
- Do not soak the refrigerator in water and do not wash it directly.
- Do not use abrasive cleaning agents as these can damage the refrigerator.

### ■ Storage:

If you would not use the refrigerator for a long period, please follow the steps:

- Turn off the power and unplug it.
- Remove all the items in the refrigerator.
- Wipe off the water from the fridge with a soft rag.
- Put the refrigerator in a cool and dry place.
- Leave the lid slightly open to avoid odors.

### ■ Defrosting:

Humidity can form frost in the interior of the cooling device or on the evaporator. This reduces the cooling capacity.

- Turn off the power and unplug it.
- Remove all the items in the refrigerator.
- Keep the lid open.
- Wipe off the defrosted water.



**Never use hard or sharp tools to remove ice or to loosen frozen objects.**

## 8. Troubleshooting and Error Problems

If an abnormal situation cannot be resolved through simple troubleshooting, please contact professional customer service for assistance:

If you bought it from Amazon, please contact **service@bougeerv.com**.

If you bought it from BougeRV Website, please contact **support@bougeerv.com**.

Note: In order to resolve the issue, you are expected to attach more details as follows in your email.

1. The **order number**.
2. If possible, send us **pictures or videos** to show the problem.
3. What do you connect with the fridge and what is the **power source**?
4. Do you notice any **error code** on the display panel.
5. Your **shipping address and phone number** for the potential shipment.

Troubles	Causes and solutions
The car refrigerator does not work	<ul style="list-style-type: none"> <li>• Check whether the power is connected correctly or not. (If the plug is loose, positive and negative poles are reversed).</li> <li>• Check whether the power switch on the operation panel is turned on.</li> <li>• Check the cooling ventilation is normal.</li> <li>• Check whether the fuse is blown or not.</li> </ul>
Not cooling Sufficiently	<ul style="list-style-type: none"> <li>• Check whether the door is closed.</li> <li>• The door cover seal is damaged or deformed and the seal is not strict.</li> <li>• Poor ventilation in the car refrigerator cooling.</li> <li>• Improper temperature settings.</li> </ul>
Abnormal noise	<ul style="list-style-type: none"> <li>• Some noises are normal.</li> <li>• The place of the refrigerator is not stable.</li> <li>• Internal parts are loose or fall off.</li> </ul>
The refrigerator surface condensation	<ul style="list-style-type: none"> <li>• When the ambient air humidity is &gt; 75%, the surface of the box will normally have slight condensation.</li> </ul>
Temperature fluctuation/ problems	<ul style="list-style-type: none"> <li>• It is normal for the temperature to float at a certain range, and it is normal in the range of <math>\pm 5^{\circ}\text{C}</math>.</li> <li>• It is normal that the temperature measured by yourself is <math>3^{\circ}\text{C}</math> higher than that of the display screen.</li> <li>• If the temperature does not drop for a long time, please empty the refrigerator, adjust it to the lowest temperature and let it stay for a longer time.</li> <li>• Please touch the inner wall of the refrigerator with your hand. If you can feel the cold obviously, there is no problem with the refrigeration of the refrigerator.</li> </ul>

## The definition of the error code on the display

Error Code	Error Type	Solutions
E1	Input voltage too low	<p>①Scenario one: the input voltage of the adapter is too low. Solution: Adjust the battery protection level to "Medium" or "Low" level. Wait for 3-5 mins to let the refrigerator reset itself. If the fridge still does not start properly, Please use the AC power cord to run the refrigerator.</p> <p>②Scenario two: Insert the refrigerator power cord into the car cigar lighter when the car doesn't start. Solution: Connect the refrigerator later after the car starts.</p>
E2	Fan Problem	Please replace a new fan when you confirm the fan malfunction. Contact us and we will send you a new fan for replacement.
E3	Compressor Start up frequently Input voltage fault	<p>①Scenario one: E3 appears when using the fridge in the car. Solution: Shut down the fridge for 5 minutes. If it still does not work after you restart it, then it is an E1 fault, please refer to the E1 troubleshooting and solution.</p> <p>②Scenario two: E3 appears when using the fridge at home. Solution: Adjust battery protection level to Medium or Low level. If the fridge still does not start properly, Please use the AC power cord to run the refrigerator. If the solution is not helpful, please contact us.</p>
E4	Compressor turbine speed too low	The input voltage needs to be adjusted and reconnect the refrigerator to power. If the solution is not helpful, please contact us.
E5	Controller chip overheating	You need to shut down the fridge for 5 minutes. After that, check whether it is an overheating caused by the blockage around the vent of the compressor.
E6	NTC cable disconnecting or in a short circuit	Pry out the display panel and check whether the NTC cable is disconnecting. If the solution is not helpful, please contact us.

## 9. Warranty and Maintenance

### Warranty

BougeRV PORTABLE CAR REFRIGERATOR comes with a 2-year warranty that commences from the date of purchase on BougeRV Amazon Store or BougeRV Official Website, except following situations:

1. Used products from Amazon or other distributors.
2. Contrived damage.
3. Damage caused by force majeure such as earthquake, conflagration, etc.
4. Damage from inappropriate use or violating this instruction.
5. Damage or malfunction caused by disassembling.

### Customer Service

If there is any problem with the operation or use of the product, please feel free to contact us via:

#### ■ Amazon:

✉ [service@bougeRV.com](mailto:service@bougeRV.com)

☎ +1 408 656 8402

9AM-6PM(PST) Mon-Fri

+1 699 232 7427

6PM-3AM(PST) Sun-Thur

#### ■ BougeRV Website:

✉ [support@bougeRV.com](mailto:support@bougeRV.com)

☎ +1 408 656 8402

9AM-6PM(PST) Mon-Fri

+1 408 429 4149

6PM-3AM(PST) Sun-Thur

### VIP Service & Extra 1-year Warranty

#### Option 1

1. Search "QR Code" on your FB
2. Scan the QR Code beside
3. Join "BougeRV Car Refrigerator Club"
4. You become a VIP and get a 3-year warranty



#### Option 2

1. Search "BougeRV.com"
2. Support-Warranty Registration
3. Sign up and submit
4. You become a VIP and get a 3-year warranty

## 10. Specification

Model	CR PRO 20	CR PRO 23	CR PRO 25	CR PRO 30
Rated Voltage	DC: 12V/24V			
	AC: 110~240V			
Rated Power Input	ECO: Energy Saving Mode, 45 watts.			
	MAX: Fasting Cooling Mode, 60 watts.			
Capacity	0.70 cu.ft.	0.81 cu.ft.	0.88 cu.ft.	1.59 cu.ft.
Sound Noise Level	≤45dB			
Climate Class	T/ST/N/SN			
Temperature Range	-22 ~ 10°C (-8 ~ 50°F)			
Refrigerant	R-134a			

Due to possible product upgrades, the specification here might be slightly different from the actual specification. Please refer to the nameplate on the product.



### ■ Disposal

Place the packaging into the appropriate recycling waste bins whenever possible. If you wish to dispose of the product, ask your local recycling center or specialist dealer for details about how to do this in accordance with the applicable disposal regulations.

Explore more from BougeRV



@bougervofficial



@Bougervofficial



BougeRV



