



Model MC1385  
Modelo MC1385  
Modèle MC1385

## Deluxe Canister Steam System

Sistema A Vapor Con Depósito De Lujo  
Nettoyeur-Chariot À Vapeur De Luxe

Owner's Guide  
Guía del Usuario  
Mode D'emploi

---



### **KEEP YOUR RECEIPT FOR WARRANTY PURPOSES**

Please read all instructions before use.

### **GUARDE SU RECIBO A EFECTOS DE LA GARANTÍA**

Lea todas las instrucciones antes de usarlo.

### **GARDEZ VOTRE REÇU AUX FINS DE LA GARANTIE**

Veuillez lire toutes les instructions avant l'utilisation.

# IMPORTANT SAFETY INSTRUCTIONS

This owner's guide and any additional inserts are considered part of the product. They contain important information about safety, use, and disposal. Before using the product, please familiarize yourself with all operating and safety instructions. Please keep all documents for future reference and pass these documents on, together with the product, to any future owner. See our website for the most current version of this owner's guide.

**INTENDED USE:** This product is intended to be used indoors for household cleaning in the United States and/or Canada. This product is not intended for commercial or industrial uses. The manufacturer assumes no responsibility for damage or injury due to unauthorized use or product modification. Failure to follow these directions will void the product warranty.

**WARNING:** Risk to Children and Impaired Persons

Supervision is required during the installation, operation, cleaning and maintenance of this product by children age 12 and under and anyone with reduced physical, sensory or mental capabilities. Children should be supervised to ensure that they do not play with the appliance, its parts and packaging material.

**Directions to reduce risk of fire, electrical shock, and injury:**

1. Read all instructions before use.
2. If an extension cord is necessary, use a properly rated cord (15 ampere, 14 gauge). Use care to position extension cord where it is least likely to be damaged or tripped over during use.
3. Before plugging power cord into electrical outlet, be sure that all electrical information on rating label agrees with your power supply.
4. To reduce likelihood of circuit overload, DO NOT operate another high wattage appliance on the same circuit as this unit.
5. To reduce the risk of electric shock, do not immerse the appliance in water or other liquids. If product falls into water or another liquid, immediately unplug. Do not reach into the water while product is plugged in.
6. Do not use power cord as handle, let it hang over edges of counters, or be crimped or closed in doors.
7. Never yank power cord to disconnect from outlet; instead, grasp plug and pull to disconnect.
8. Do not operate unit with a damaged power cord or if the unit has been dropped or damaged. To avoid risk of electrical shock, do not disassemble unit; contact Steamfast Consumer Service for examination and repair. Incorrect reassembly can cause a risk of electrical shock when unit is used.
9. A loose fit between wall outlet (receptacle) and plug may cause overheating and distortion of the plug. Discontinue use of the product in this outlet. Contact a qualified electrician to replace loose or worn outlets.
10. Do not leave unit unattended while plugged in. Unplug the appliance immediately after each use.
11. Do not use unit where aerosol-based products are being used, or where oxygen is being administered.
12. Unit is only meant to be used with recommended accessories. Using other types of attachments may cause damage to unit or injury.
13. If Lighted On/Off Switch does not illuminate when set to "ON" position while power cord is plugged in, unit is not operating normally. Immediately disconnect cord from power supply, then refer to troubleshooting guide of this manual for assistance.
14. Always turn unit off and unplug power cord before filling with water. Do not attempt to use unit without properly filling.
15. When filling, only water should be used in unit – other cleaning agents could damage unit or cause injury. Distilled or de-mineralized water is highly recommended, in order to minimize potential build-up of mineral deposits. Do not overfill with more than recommended amount of water.
16. To avoid burns from escaping steam when removing cap to refill unit:
  - Always allow unit to cool for 5-10 minutes.

- Press and hold Steam Button to release all remaining steam pressure.
17. To reduce risk of contact with hot water emitting from Main Nozzle, check appliance before each use by positioning it away from body and turning it on. Do not operate unit if Main Nozzle is blocked.
  18. Burns can occur from touching hot metal parts, hot water, or steam. Do not touch Main Nozzle or attempt to connect accessories while unit is in use. Do not touch bottom of Mop Head or attempt to attach a Microfiber Pad by hand while unit is in use. Use caution when you turn unit upside-down – there may be hot water.
  19. Use caution when using unit on uneven surfaces, such as stairs. Do not place, set or store the product near water, such as a bathtub or sink. Never immerse the product in liquids. Do not allow cord to touch hot surfaces.
  20. When steaming any surface for the first time, it is recommended that you consult the manufacturer's guidelines for material being steamed. For items in question, test on an inconspicuous area before proceeding.
  21. Steaming unsealed hardwood or unglazed ceramic surfaces is not recommended, and may result in warping or damage to the surface. Steam may remove the sheen from surfaces treated with wax.
  22. When steam mopping, never leave unit resting in one spot on any surface for any period of time – prolonged exposure to heat and moisture may damage floor surfaces.
  23. Do not allow power cord to touch hot surfaces during use. Bundle cord loosely when storing.
  24. Always allow unit to cool (at least 30 minutes for complete cooling) and empty before storing. Do not store unit with a damp Microfiber Pad still attached.
  25. This product is for use on 120 volt electrical outlets. The cord has a plug as shown at A in Figure 65.1. An adapter, as shown at C, can be used to connect three-blade grounding-type plugs to two-slot receptacles (it is not included with your product). The green grounding lug extending from the adapter must be connected to a permanent ground such as a properly grounded outlet box. An adapter should not be used if a three-slot grounded receptacle is available. \*NOTE: A TWO-PRONG ADAPTOR IS NOT INCLUDED WITH THIS PRODUCT.

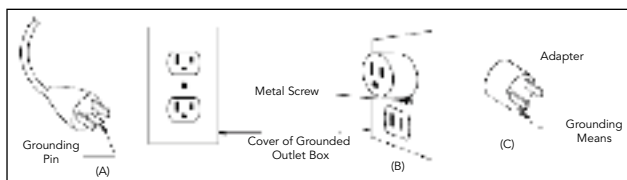


Figure 65.1

**FCC CONSUMER ADVISEMENT:** This equipment may generate, use and/or radiate radio frequency energy that may cause harmful interference to radio communications. If this equipment does cause harmful interference to radio or television reception, which can be determined by turning the equipment off and on, the user is encouraged to contact Vornado Consumer Service. Changes or modifications to this unit not expressly approved by the party responsible for compliance could void the user's authority to operate the product.

## SAVE THESE INSTRUCTIONS

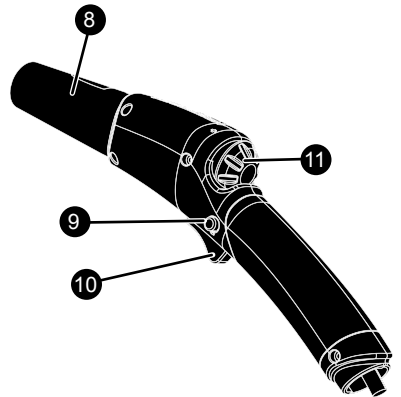
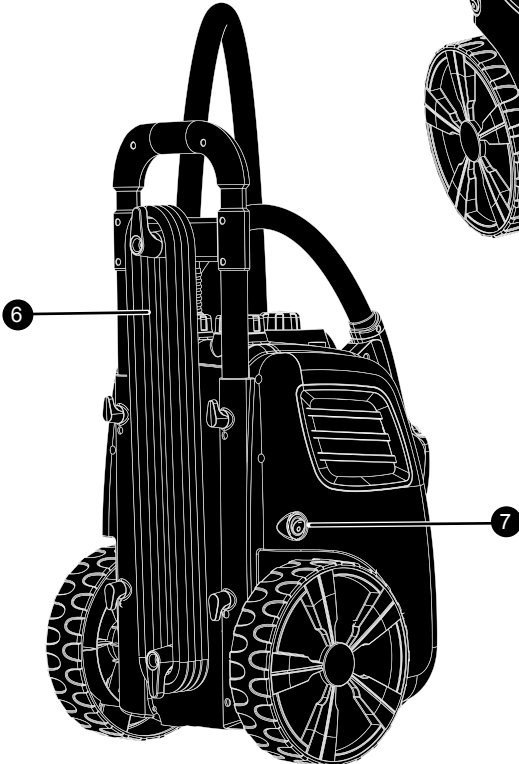
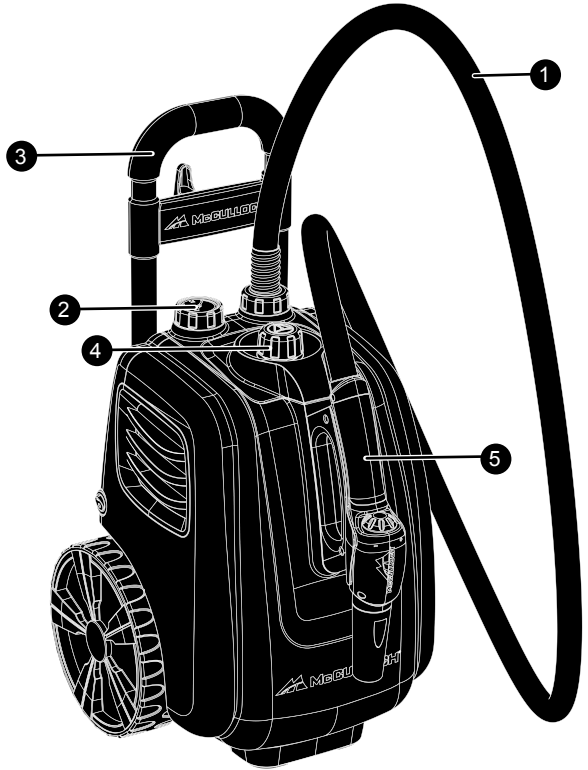
### Questions or comments?

- [mccullochsteam.com](http://mccullochsteam.com)
- [consumerservice@mccullochsteam.com](mailto:consumerservice@mccullochsteam.com)
- 1-800-711-6617

These features and accessories are included with your Deluxe Canister Steam System. To obtain additional parts, refer to Product Support on Page 19 of this manual.

**UNIT FEATURES**

- 1 10' Steam Hose
- 2 Pressure Gauge
- 3 Integrated Handle
- 4 Reservoir Cap
- 5 Steam Handle Cradle
- 6 Cord Wrap
- 7 Illuminated On/Off Switch
- 8 Steam Nozzle
- 9 Steam Trigger Lock
- 10 Steam Trigger
- 11 Steam Adjustment Knob



- The *10' Steam Hose (1)* safely channels the flow of steam from the Reservoir to the Steam Nozzle.
- The *Pressure Gauge (2)* measures the pressure in the Reservoir.
- The *Integrated Handle (3)* is engineered to stay cool while providing maximum grip and comfort.
- The *Reservoir Cap (4)* is designed to safely contain steam inside the *Reservoir*. The *Reservoir Cap* must be unscrewed and removed in order to fill the *Reservoir* with water.
- The *Steam Handle Cradle (5)* functions as a convenient holder for the Steam Nozzle.
- The *Cord Wrap (6)* neatly stores the Power Cord.
- The *Illuminated On/Off Switch (7)* illuminates when the unit is powered On.
- The *Steam Nozzle (8)* emits a flow of hot, penetrating steam whenever the *Steam Trigger* is pressed and held.
- The *Steam Trigger Lock (9)* locks Steam Trigger to "on" position for continuous steam.
- The *Steam Trigger (10)* is pressed and held in order to start the flow of steam from the *Steam Nozzle*, then released when you wish to stop.
- The *Steam Adjustment Knob (11)* is conveniently located on the handle to adjust the intensity of the steam at your fingertips.



**ACCESSORIES**

- 1 2 - 16.5" Extension Wands
- 2 Microfiber Mop Pad
- 3 Scrubbing Mop Pad
- 4 5.5" Jet Nozzle
- 5 4" Triangle Brush
- 6 6" x 4.5" Large Brush
- 7 2 - 1.5" Nylon Utility Brush
- 8 2 - 1.5" Brass Utility Brush
- 9 Angled Nozzle
- 10 3" Scraper
- 11 9" Squeegee
- 12 13" x 8.5" Large Mop Head
- 13 Bristle Brush Attachment
- 14 Storage Bag
- 15 Fill Cup
- 16 Accessory Net
- 17 2 - 2.5" Round Brush
- 18 2 - 2.5" Round Scrub Pad



13" x 8.5" Large Mop Head  
A1375-003-A

Bristle Brush Attachment  
A1375-004



Microfiber Mop Pad  
A1375-100



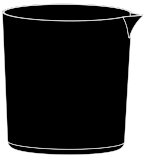
Scrubbing Mop Pad  
A1375-101



5.5" Jet Nozzle  
A1230-001



3" Scraper  
A1230-009



Fill Cup  
A1275-015



4" Triangle Brush  
A1230-002

6" x 4.5" Large  
Brush  
A1230-003



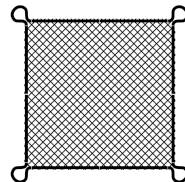
9" Squeegee  
A1350-002



16.5" Extension Wands  
A1375-002



Storage Bag  
A1375-010



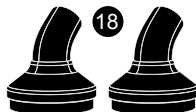
Accessory Net  
A1375-005



2.5" Round Brushes  
A1350-001



Angled Nozzle  
A1375-001



2.5" Round Scrub Pads  
A1230-007



1.5" Nylon Utility  
Brushes  
A1230-005



1.5" Brass Utility  
Brushes  
A1230-006



- The *16.5" Extension Wand* (1) connects to the Steam Nozzle. Used with mop attachment or for high or hard-to-reach places.
- The *Microfiber Mop Pad* (2) attach to the Mop Head, and are designed for removing scuffs and stains from hard floors. The Pads are reusable and machine washable.
- The *Scrubbing Mop Pad* (3) attach to the Mop Head, and are designed for removing scuffs and stains from hard floors. The Pads are reusable and machine washable.
- The *5.5" Jet Nozzle* (4) focuses the flow of steam from the Steam Nozzle, and serves as the base to which the Utility Brushes and Scrub Pad connect.
- The *Triangle Brush* (5) connects to the Steam Nozzle or Extension Wands, and is designed for cleaning corners and other difficult angles.
- The *Large Brush* (6) attaches to the Triangle Brush to cover large surfaces.
- The *1.5" Nylon Utility Brush* (7) connects to the Jet Nozzle, providing extra scrubbing power for removing exceptionally tough dirt and stains.
- The *1.5" Brass Utility Brush* (8) connects to the Jet Nozzle and is designed for removing tough stuck-on grease and grime from durable surfaces such as ovens and grills.
- The *Angled Nozzle* (9) is designed for reaching difficult angles and areas that the Jet Nozzle may not completely reach.
- The *3" Scraper* (10) attaches to the Steam Nozzle to scrape off stuck on grime.
- The *9" Squeegee* (11) attaches to Steam Nozzle to remove bugs from windshield or windows or soap scum from showers.
- The *13" x 8.5" Large Mop Head* (12) attaches to Extension Wands to clean garage floors, decks or any other extra large surface areas.
- The *Bristle Brush Attachment* (13) attaches to Large Mop Head to scrub away stubborn spots on floors.
- The *Storage Bag* (14) stores all attachments neatly in one convenient bag.
- The *Fill Cup* (15) is used to fill Reservoir without spills.
- The *Accessory Net* (16) stores brushes and other small accessories.
- The *2.5" Round Brush* (17) connects to the Jet Nozzle to scrub especially tough stains. The Round Brush functions similar to the Nylon Utility Brush, only designed to more efficiently scrub larger surface areas.
- The *2.5" Round Scrub Pad* (18) connects to the Jet Nozzle and is designed to scrub tough dirt and scuffs from surfaces.

## STEAM MOPPING ACCESSORIES

**WARNING:** Do not try to connect accessories while unit is emitting steam.

### EXTENSION WANDS

1. Select one of the Extension Wands. Insert end (A) of Wand onto Steam Nozzle (B) with yellow lock/release button slightly off center with hole. Fully insert and rotate wand slightly to allow button to snap into hole.
2. Using the same instruction, attach remaining Extension Wand (C) to the first Wand. Both Extension Wands should now be connected to the Steam Nozzle.

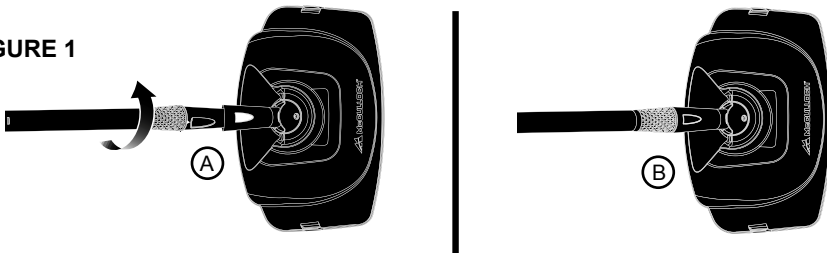


### MOP HEAD

1. Align Mop Head with open end of Extension Wand, so that hole in Mop Head aligns with yellow lock/release button on Wand.
2. Press down on yellow lock/release button. While continuing to hold button down, slide Mop Head onto Extension Wand (See figure 1-A). Fully insert and rotate wand slightly until button snaps through hole (See figure 1-B).

**NOTE:** Do not use excessive force when mopping or using Extension Wands as this may cause the Wands to break.

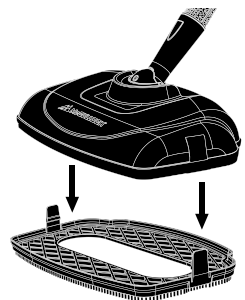
FIGURE 1



### BRISTLE BRUSH ATTACHMENT

1. Align Mop Head with Bristle Brush Attachment, so that the release tabs (A) on the Bristle Brush align with the sides of the Mop Head (B).
2. Firmly press the Bristle Brush Attachment onto Mop Head until it securely snaps into place.

**Note:** Do not use Bristle Brush Attachment with Microfiber or Scrubbing Mop Pad.



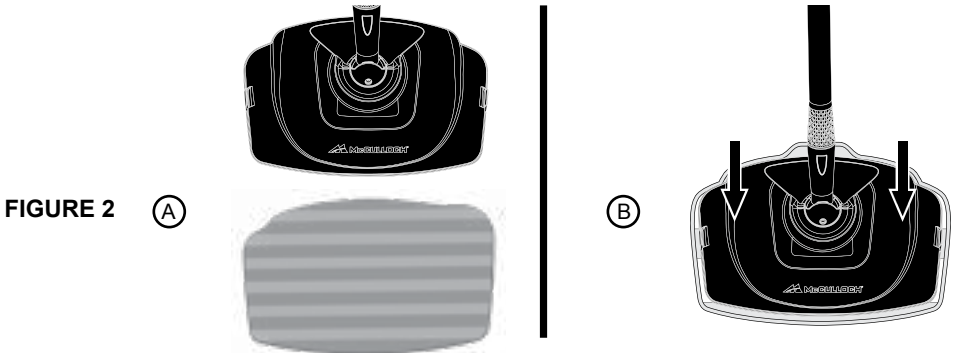


## MICROFIBER PADS

1. Lay one Microfiber Pad on flat surface, with two fastener strips facing upward.
2. Align Mop Head with Microfiber Pad. Make sure Mop Head is oriented with Pad as shown, and centered as best as possible (See figure 2-A).
3. Press Mop Head firmly down onto Microfiber Pad. Fastener strips will adhere to Pad Grips on underside of Mop Head. Pad should now be attached and ready for use (See figure 2-B).

**CAUTION:** Use care when handling a recently used Microfiber Pad, as it may still be hot.

**NOTE:** Microfiber Pads are machine washable. To avoid picking up lint, washing separately from other fabrics is recommended. Only use liquid detergent. Avoid using any fabric softeners or bleach. Air drying is recommended; machine drying on a low heat or air dry setting is acceptable as well.



The Mop Head and Microfiber Pads are perfect for use on these hard floor surfaces:

- Sealed Hardwood
- Sealed Laminate
- Glazed Ceramic
- Marble
- Tile
- Stained Concrete
- Linoleum
- Granite
- Vinyl

**IMPORTANT:** Do not use on unsealed hardwood or unglazed ceramic surfaces. Surfaces that are not properly sealed may be warped or damaged by exposure to heat and moisture.

Care should also be taken when steaming sealed hardwood floors, as prolonged exposure to steam in a single spot may cause damage and discoloration. To avoid this, keep the Mop Head in constant motion on these surfaces.

Steam may remove the sheen from some floors that have been treated with wax.

Extremely rough textured floors may tear or damage Microfiber Pads.

Before steaming any flooring, it is recommended to consult the manufacturer's guidelines. For flooring in question, always test on a small inconspicuous area before proceeding.

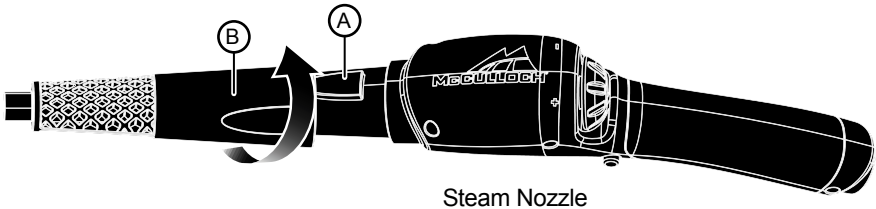
## STEAM CLEANING ACCESSORIES

**WARNING:** Do not connect accessories while unit is emitting steam.

### JET NOZZLE / SCRAPER / SQUEEGEE / TRIANGLE BRUSH

1. Select one of the three accessories (Jet Nozzle shown as example) and push onto the Steam Nozzle (A).
2. Rotate accessory until the yellow lock/release button snaps into the accessory hole (B).

**NOTE:** The Jet Nozzle, Scraper, Squeegee and Triangle Brush can be connected to the end of an Extension Wand for reaching high or difficult spots. Connect the Extension Wand (or Wands) as outlined on Page 8, then connect your desired accessory to the Wand in the same way as you would normally connect to the Steam Nozzle.



### UTILITY BRUSHES / ANGLED NOZZLE / SCRUB PAD

**NOTE:** Accessories connect to the Jet Nozzle, not the Steam Nozzle.

1. Firmly press accessory onto tip of Jet Nozzle. Press it on as far as possible to prevent steam leakage (See figure 3).
2. To remove accessory, simply grip it firmly and pull it off Jet Nozzle.

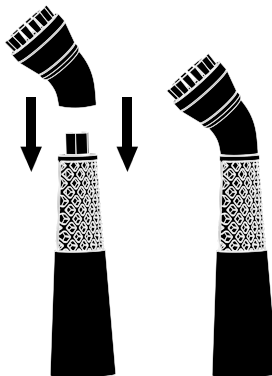
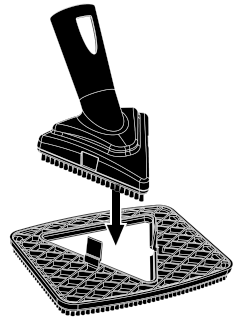


FIGURE 3

## LARGE BRUSH

**NOTE:** Large Brush connects to the Triangle Brush, not the Jet Nozzle.

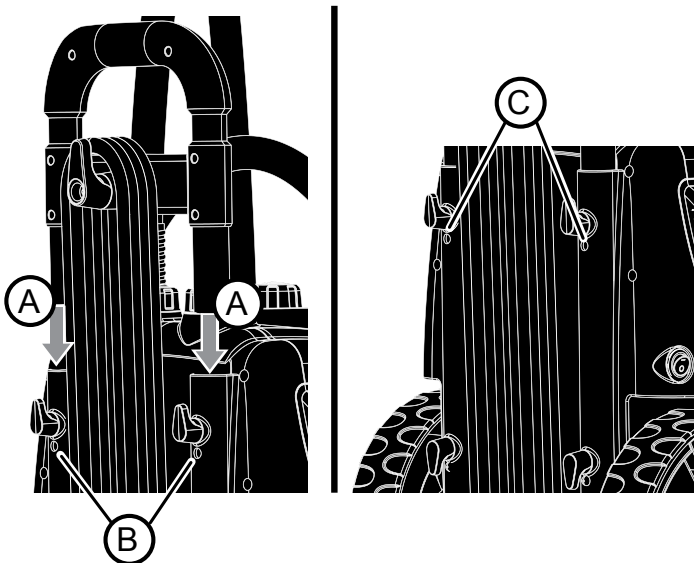
1. Place Large Brush over the Triangle Brush, and firmly press it on to the Triangle Brush as far as possible (See figure 4).
2. To remove Large Brush, simply grip it firmly and pull it off of the Triangle Brush.



**FIGURE 4**

## INTEGRATED HANDLE

1. Align the poles with the holes located on unit (A).
2. Push down until the buttons snap into place (B).
3. To collapse the Integrated Handle, push both buttons at the same time to release (C). Then push down.



## ORDERING ACCESSORIES & PARTS

Replacement accessories and parts for your Deluxe Canister Steam System (model MC1385) may be ordered through our Website:  
[www.mccullochsteam.com](http://www.mccullochsteam.com)

You may also contact Consumer Service directly:  
[consumerservice@mccullochsteam.com](mailto:consumerservice@mccullochsteam.com) or 1-800-711-6617

Jet Nozzle / Angled Nozzle	Dirt, Grease, Grime, Cracks and Crevices, Golf Clubs, Tread of Running Shoes
Triangle Brush	Corners on Countertops, Bathtubs, Floors
Large Brush	Floors, Grout
Scraper	Baked on Food, Grime, Grease, Stove Tops, Ovens
Round Scrub Pad	Countertops, Bathtubs, Sinks, Refrigerators, Ovens, Slate
Nylon Utility Brush and Round Brush	Ovens, Stove Tops, Faucet Fixtures, Microwaves, Sports Equipment, Tile, Grout, Refrigerators, Toys, Door Knobs, Showers, Bathtubs, Changing Tables
Brass Utility Brush	BBQ Grills, Oven Wire Racks
Mop	Stone, Slate, Glazed Ceramic Tile, Sealed Hardwood
Squeegee with Scrubbing Brush	Bugs on Windshield or Windows, Soap Scum, Grime, Shower Glass Doors, Mirrors, Glass
Bristle Brush Attachment	Stone, Slate, Grout

**WARNING:** Do not use on unsealed hardwood or unglazed ceramic surfaces. For flooring in question, always test on a small inconspicuous area before proceeding.

**NOTE:** Before cleaning electrical appliances, check and follow appliance manufacturer's cleaning guidelines. Never apply to electrical parts.

**NOTE:** Some delicate surfaces, such as painted wood or stainless steel may be scratched or damaged by the bristle of the brushes, especially the Brass Utility Brush. Use careful judgment when deciding what surface to clean with any of the brushes. If you are unsure if a surface will be damaged, it is recommended that you test a small inconspicuous spot before proceeding.

## FILLING RESERVOIR

1. Place Deluxe Canister Steam System on a flat, level surface.
2. Make sure illuminated On/Off Switch is turned to "Off" and grounded power cord is unplugged from electrical outlet.



**If unit has been in use, always use the following safety precautions before removing the Reservoir cap to add water:**

- Allow unit to cool for 20 minutes or until pressure gauge is at zero.
- Press and hold Steam Trigger to release **ALL** remaining steam.

**WARNING: Failure to follow these precautions may result in burns from escaping steam when the Reservoir Cap is removed.**

3. Cautiously unscrew and remove Reservoir Cap.
4. Drain any water remaining inside Reservoir.

**NOTE: The Reservoir should be emptied after each use – this will help minimize mineral build-up and prevent over-filling.**

5. Using the Fill Cup, fill the unit with 64 oz (1,892 ml) of water.

**NOTE: In order to significantly reduce mineral build-up and prolong the life of your Deluxe Canister Steam System, use of distilled or de-mineralized water in the unit is highly recommended. Refer to Page 16 for more information about mineral build-up.**

**WARNING: Caution should always be used when pouring water into the Reservoir. Do not look directly down into fill hole when filling. Keep your free hand and any children or pets at a safe distance.**

6. Replace Reservoir Cap, ensuring that it is screwed on tightly to prevent hot steam from escaping and causing injury.

## GENERAL OPERATION

**NOTE: Be sure that Reservoir has been filled and that desired accessories are connected before following these steps.**

1. For first time use, remove protective plastic cover from electrical plug. Plug power cord into a electrical outlet.
2. Switch Lighted On/Off Switch to “On” position.
3. The pressure gauge indicates the operating pressure of the steam cleaner. Once the needle is in the green section, the unit is ready to begin steaming.

During use and as steam is released, pressure will drop. This may cause the needle to move down in the green section. This is a normal condition. As long as the needle is in the green section, the product is operating normally. If the needle is continuously in the yellow or red section, please contact Consumer Service at 1-800-711-6617.

4. Direct Nozzle (and any connected accessory) towards surface you desire to steam, and press Steam Trigger. To sanitize surfaces, point Nozzle, press Trigger and hold approximately 1/2 inch from surface for at least 5 seconds. This will insure that you have killed germs and bacteria.

**CAUTION: Always be sure that Nozzle and any accessory are pointed in a safe direction (away from yourself, other people, pets, and plants) before pressing Steam Trigger.**

5. Keep Steam Trigger pressed for a continuous flow of steam. You may also hold the Steam Trigger, then push the Steam Trigger Lock to lock it down. This will allow a continuous flow of steam without need of holding the Steam Trigger down manually. Steam output can be adjusted by simply turning the Steam Adjustment Knob.
6. Using a back-and-forth motion over the area you are steaming will further enhance the cleaning process. Wipe steamed areas with a clean cloth to remove loosened dirt and grime. Wiping the area while it is still wet is recommended, but use caution when wiping surfaces such as metal that may still be hot.
7. Once steaming tasks are complete, turn the unit “Off” and unplug. Follow steps under Proper Storage procedure on Page 16 of this manual.

## STEAM MOPPING

**NOTE: Be sure that Reservoir has been filled and that all steam mopping accessories are connected before following these steps.**

**It is recommended to sweep or vacuum hard floors before mopping.**

1. Follow Steps 1-3 of General Operation section above.

**Refer to Page 9 for a listing of hard floor surfaces that are recommended for cleaning with the Deluxe Canister Steam System.**

2. For best results, use a continuous back-and-forth motion over floor surface, pushing the Mop Head away and pulling it back towards you. Work your way backwards over the floor, in order to avoid walking over freshly mopped areas.

**NOTE: To avoid warping or damage caused by heat and moisture, do not use on unsealed hardwood or unglazed ceramic surfaces. Steam may remove the sheen from some floors that have been treated with wax.**

3. The Microfiber Pad will absorb dirt and moisture during mopping. However, when you are finished you may find some residual moisture has been left behind. In this case, it is recommended to allow floor time to air-dry. A fan may be directed towards mopped area to facilitate drying.

## **PROPER STORAGE**

Preparing your Deluxe Canister Steam System for storage is quick and simple. When you have finished your steaming tasks, follow the steps listed below.

1. Turn unit “Off” and unplug power cord.
2. Allow unit to completely cool (at least 30 minutes).
3. Press and hold Steam Trigger to release all remaining steam.
4. Remove all accessories from unit.
5. Carefully remove Reservoir Cap.
6. Drain any remaining water from Reservoir into a sink or tub – this will help to minimize mineral build-up and prevent over-filling during your next use. Replace Reservoir Cap loosely.
7. Store accessories. Utility Brushes can be conveniently stored in the Accessory Net. Remaining accessories can be stored in the Storage Bag.
8. Store Deluxe Canister Steam System in a cool, dry location.

## **MINERAL BUILD-UP**

A common maintenance need for steam appliances is the removal of build-up caused by high mineral content in many municipal water supplies. This mineral build-up may limit the effectiveness and reduce the life of your Deluxe Canister Steam System.

The best way to minimize mineral build-up is to use distilled or de-mineralized water when using your Deluxe Canister Steam System. If you are unable to use distilled water, it is recommended that the following procedure be followed monthly to remove any mineral build-up:

1. Turn unit “Off” and unplug power cord.
2. Allow unit to completely cool (at least 30 minutes).
3. Press and hold Steam Trigger to release all remaining steam.
4. Remove all accessories from unit.
5. Carefully remove Reservoir Cap.
6. Drain water from Reservoir into a sink or tub.
7. Using Measuring Cup, measure 8 oz. (237 ml.) of vinegar.
8. Slowly pour vinegar into Reservoir.
9. Allow to stand for 40 minutes.
10. Drain vinegar from Reservoir.
11. Rinse Reservoir with fresh water, drain and repeat until vinegar odor dissipates.
12. Replace Reservoir Cap.



PROBLEM	POSSIBLE CAUSE	SOLUTION
Unit fails to heat up.	Unit is not plugged in.	Plug power cord into electrical outlet.
	Household circuit breaker / ground fault interrupter has tripped or blown a fuse.	Reset circuit breaker / ground fault interrupter, or replace fuse. If you need assistance, contact a licensed electrician.
	Unit is damaged or otherwise in need of repair.	Immediately cease usage and unplug. Contact Consumer Service for further assistance (see Page 19 for details).
	Reservoir is empty.	Refer to <b>Filling Reservoir</b> procedure on Page 13.
	Mineral build-up in unit.	Refer to <b>Mineral Build-up</b> section on Page 16 for cleaning procedure.
	Unit is damaged or otherwise in need of repair.	Immediately cease usage and unplug. Contact Consumer Service for further assistance (see Page 16 for details).
Steam output is weak or intermittent.	Water level in Reservoir is running low.	Refer to <b>Filling Reservoir</b> procedure on Page 13.
	Mineral build-up in unit.	Refer to <b>Mineral Build-up</b> section on Page 16 for cleaning procedure.
Excessive amount of water in steam. <b>NOTE: Unit produces wet steam – it is normal for steam to contain some amount of water.</b>	Water condensation in Steam Hose.	Point nozzle towards sink, tub or ground and shake while pressing Steam Trigger. Continue until excess water is released.
	Reservoir has been overfilled.	Filling the Reservoir with more than 64 oz. (1,892 ml.) of water interferes with steam production, resulting in water condensation in steam.  Always fill unit with correct amount of water. (see Page 13 for details)
Accessories do not stay firmly connected to Steam Nozzle.	Accessories not properly installed.	Check to make sure that accessories are properly connected, per procedures on Pages 8-11.
Floor surfaces appear cloudy or streaky after steaming.	Microfiber Pad is dirty.	Replace Microfiber Pad with a clean one.
	Hard water residue on floor.	Switch to distilled or de-mineralized water.



Refer to the part numbers below when ordering parts and accessories for your Deluxe Canister Steam System.

**Replacement Accessories**

Part Numbers for Fast Reordering at [www.mccullochsteam.com](http://www.mccullochsteam.com)

Jet Nozzle	A1230-001
Angled Nozzle	A1375-001
Triangle Brush	A1230-002
Large Brush	A1230-003
Nylon Utility Brush - 5 Pack	A1230-005-5
Brass Utility Brush - 5 Pack	A1230-006-5
Round Brush - 5 Pack	A1350-001-5
Round Scrub Pad - 5 Pack	A1230-007-5
Fill Cup	A275-015
Scraper	A1230-009
Squeegee	A1350-002
Storage Bag	A1375-010
Extension Wand	A1375-002
Mop Head	A1375-003-A
Bristle Brush Attachment	A1375-004
Microfiber Mop Pads - 2 Pack	A1375-100
Scrubbing Mop Pad - 2 Pack	A1375-101

**Replacement Parts**

Available via Consumer Service at 1-800-711-6617

Reservoir Cap	T1230-001
---------------	-----------



**CONSUMER SERVICES**

For problems with your Deluxe Canister Steam System, please refer to the Troubleshooting guide located on Page 17 of this manual. Additional inquiries should be directed to our consumer support services through our website, [www.mccullochsteam.com](http://www.mccullochsteam.com).

If you do not have internet access, you may also contact our Consumer Service Department by telephone, at 1-800-711-6617.

**NOTE: In order for our Consumer Service representatives to help you as quickly and efficiently as possible, please have the following information ready before calling:**

- Purchase information (where and when you purchased this product)
- Copy of purchase receipt / proof of purchase
- Product serial number (located on electrical specification label on back of unit)

**PRODUCT SPECIFICATIONS**

MODEL	MC1385
VOLTAGE	120V
POWER	1500W
WATER CAPACITY	64 oz. (1,892 ml)
HEATING TIME	12 min. (approximate)
CONTINUOUS STEAM TIME	90 min high, 120 min low (approximate)
UNIT WEIGHT	13 lbs. (5.9 kg.)
UNIT DIMENSIONS	13.1" x 13.35" x 19.05" (33.3 cm x 33.9 cm x 48.4 cm)



**2-YEAR LIMITED WARRANTY**

**What is covered**

McCulloch® is a licensed brand of Steamfast, a division of Vornado Air, LLC ("Steamfast"). Subject to the terms and conditions of this 2-Year Limited Warranty ("Warranty") as set forth below, Steamfast warrants to the original consumer or purchaser ("Buyer") that this McCulloch®-branded steam product, excluding all accessories and attachments, (the "Product") is to be free from defects in material and workmanship for a period of two (2) years from the date of purchase when used and maintained in accordance with the Owner's Guide (the "Warranty Period").

In the event Buyer notifies Steamfast of a defect in the Product within the Warranty Period, Steamfast will replace the Product and/or defective component parts, as applicable and necessary. Any such replacement will be made at no charge to Buyer for parts or labor, provided that Buyer shall be responsible for all shipping and transportation costs associated with returning the Product to Steamfast for inspection and covered replacement.

**What is not covered**

This Warranty shall not be applicable to damage or loss caused in whole or in part by:

- Repairs, modifications or alterations to the Product by anyone other than Steamfast.
- Use or operation of the Product outside the permitted or intended uses described by Steamfast in the Owner's Guide, or other careless operation, handling, misuse, or abuse of the Product.
- Lack of proper maintenance or timely cleaning of the Product as specified in the Owner's Guide.
- Use of the Product other than for normal household purposes.
- Normal wear and tear.



- Used consumable parts, accessories and attachments, including, but not limited to, brushes, hangers, scrub pads and mop pads.
- Use of parts and accessories other than those produced or recommended by Steamfast.
- Cosmetic damage, such as scratches, nicks and dents.
- Damage caused by accident, water, flood, fire or other acts of nature or external causes.

**Warranty limitations and exclusions**

- NO OTHER EXPRESS WARRANTY IS GIVEN BY STEAMFAST TO BUYER AND NO REPRESENTATIVE HAS THE AUTHORITY TO MAKE REPRESENTATIONS OTHER THAN THOSE PROVIDED HEREIN.
- THERE ARE NO WARRANTIES WHICH EXTEND BEYOND THE DESCRIPTION ON THE FACE HEREOF AND ALL IMPLIED WARRANTIES, SPECIFICALLY THE IMPLIED WARRANTIES OF MERCHANTABILITY AND FITNESS FOR A PARTICULAR PURPOSE, ARE HEREBY EXPRESSLY LIMITED TO THE DURATION OF THE WARRANTY PERIOD, UNLESS A SHORTER PERIOD IS PERMITTED BY LAW.
- STEAMFAST'S REPLACEMENT OF THE PRODUCT IS THE EXCLUSIVE REMEDY. UNDER NO CIRCUMSTANCES SHALL STEAMFAST BE LIABLE TO BUYER OR ANY OTHER PERSON FOR ANY INCIDENTAL, SPECIAL, CONSEQUENTIAL, OR OTHER DAMAGES, EVEN IF STEAMFAST HAS BEEN ADVISED OF OR COULD REASONABLY FORESEE THE POSSIBILITY OF SUCH DAMAGES, INCLUDING, BUT NOT LIMITED TO, LOSS OF PROFITS OR DAMAGE, WHETHER ARISING OUT OF BREACH OF WARRANTY, BREACH OF CONTRACT OR UNDER ANY OTHER THEORY OF LAW.
- THIS WARRANTY GIVES BUYER SPECIFIC LEGAL RIGHTS. BUYER MAY ALSO HAVE OTHER RIGHTS WHICH VARY FROM STATE-TO-STATE. SOME STATES DO NOT ALLOW THE EXCLUSION OR LIMITATION OF INCIDENTAL OR CONSEQUENTIAL DAMAGES, AND SOME STATES DO NOT ALLOW LIMITATIONS ON HOW LONG AN IMPLIED WARRANTY LASTS, SO THE ABOVE LIMITATION OR EXCLUSION MAY NOT APPLY TO BUYER.

**How do you register the Warranty**

Buyer must complete an application to register this Warranty within sixty (60) days following date of purchase. Buyer may either visit Steamfast's website at [www.mccullochsteam.com](http://www.mccullochsteam.com) and complete an online application or mail a completed application to Steamfast. Failure to register this Warranty within sixty (60) days following date of purchase will render this Warranty null and void.

**Warranty service**

For warranty service, call 1-800-711-6617 or email [consumerservice@mccullochsteam.com](mailto:consumerservice@mccullochsteam.com) to obtain a Return Authorization ("RA") form. Include the Product model number and serial number, as well as Buyer's name, address, city, state, zip code and phone number when contacting Steamfast for warranty service. Buyer may be required to provide the original sales receipt for purposes of verifying date of purchase. After receiving the RA form, the Product must be shipped, postage prepaid by Buyer, to:

Steamfast  
Attn: Warranty & Repair  
415 E. 13th Street  
Andover, KS 67002

To assure proper handling, packages must be clearly marked with the RA number. Packages not clearly marked with the RA number may be refused at the receiving dock.

Important: After receiving return authorization, carefully pack the Product to avoid damage in shipping. Damage in shipping is not covered by the Warranty and shall be the sole responsibility of Buyer. Damage or loss not covered by this Warranty or occurring outside the Warranty Period will require a fee to cover the cost of handling and shipping. All such fees and costs shall be the sole responsibility of Buyer.

Please allow at least 1-2 weeks for return of the Product after it is received by Steamfast. For ease of recordkeeping, it is recommended that Buyer staple or attached the original sales receipt to this Owner's Guide and record the Product serial number (located on the Product specifications decal) here:





review this product online  
evalúe este producto en línea  
évaluer ce produit en ligne

[www.mccullochsteam.com/reviews](http://www.mccullochsteam.com/reviews)

Manufactured by Vornado Air LLC under license from Husqvarna AB (publ).

For more information on other McCulloch products,  
visit [www.mccullochsteam.com](http://www.mccullochsteam.com)

For questions, or comments or warranty information,  
call 1-800-711-6617 or visit [www.mccullochsteam.com](http://www.mccullochsteam.com)