

Instruction Manual



FY-2AT

Our equipment is approved by the following car manufacturers(China)



Contents

1. Precautions	1
2. Specifications	2
3. Installation	3
4. Controls	4
5. Operation	5
6. Troubleshooting	
1) Troubleshooting	6
2) Lamp Tube Replacement	7
7. Exploded View	8
8. Circuit Diagram	9

1. Precaution

1. Read this manual carefully before installing or servicing this equipment.
2. This equipment is designed for paint drying applications. Adjust to the correct temperature and check minimum safe distance from heat source when using. Improper use can cause paint surface damage.
3. Installation and servicing must be performed by a qualified technician or service agency.
4. The system has been designed for easy installation, low operating cost and minimum maintenance. The warranty does not cover lamp tube defects resulting from misuse or improper operation.
5. Disconnect power source when the equipment is not in use for a long period.
6. The lamp tube should not be perpendicular to the ground when the equipment is in operation. Otherwise, it will shorten the service life of the lamp tube.

2. Specifications

Model	FY-2AT
Input Power Source	Single Phase 220V 50/60Hz
Input Power (W)	2 × 1000
Curing Area (mm)	1000 × 800
Time Setting	0 - 99mins Adjustable
Light Intensity (%)	10 - 100

Suggested Curing Times

Rust proof primer	4 - 8 mins
Intermediate primer	2 - 3 mins
Primary filler	5 - 8 mins
Secondary filler	3 - 6 mins
Top coat	6 - 10 mins
Varnish	5 - 10 mins

3. Installation

The shortwave infrared curing lamp is divided into 3 parts (a base, a frame and a cassette)

1) Installation of the base:

- a. Open the packaging of the base.
- b. Install the four wheels on the base respectively and tighten up the screws.

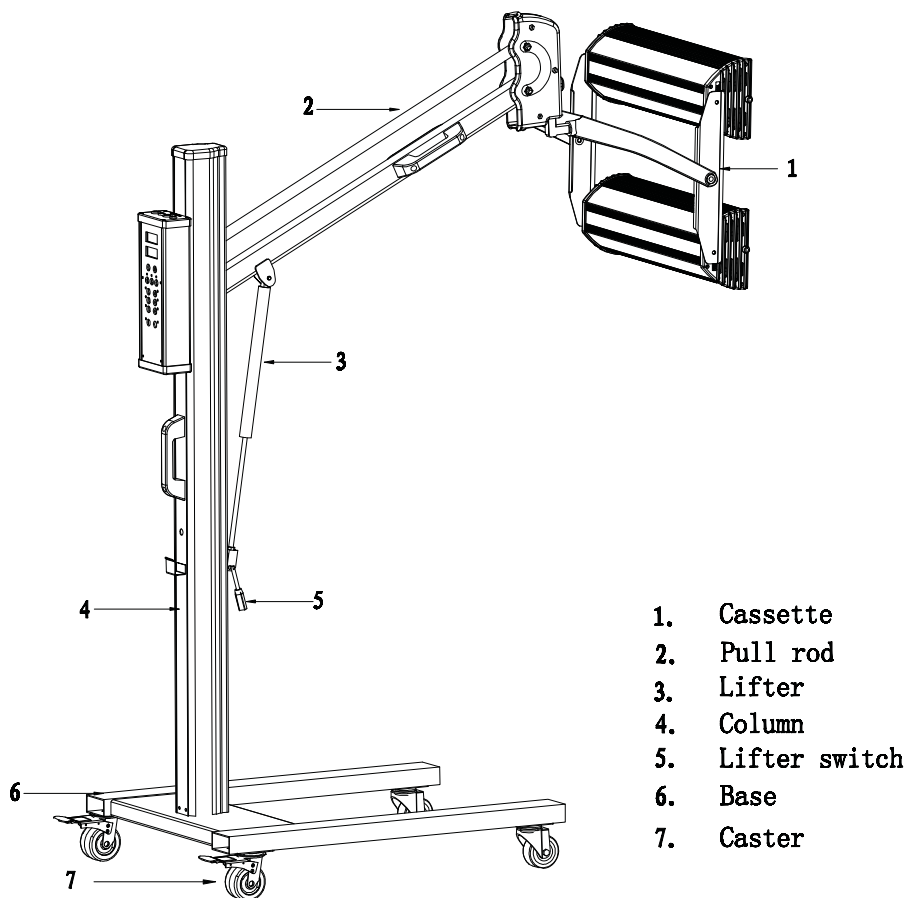
Usually, the wheels with brakes are mounted on the rear of the base.

2) Installation of the frame:

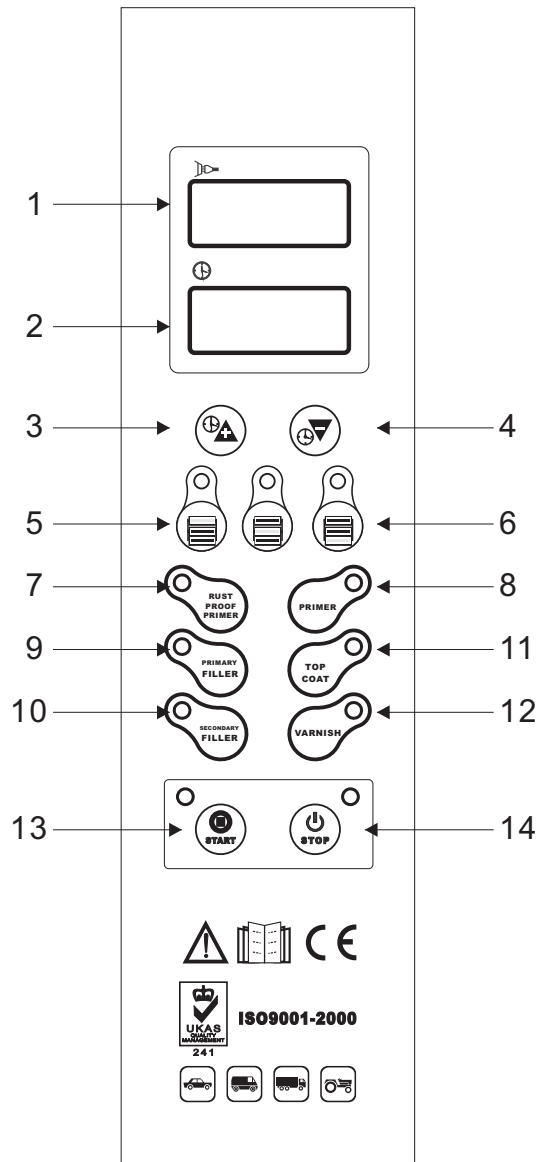
- a. Open the packaging of the frame.
- b. Put the frame vertically onto the top of the base, line up the screw holes and tighten up with screws.
- c. Connect the pull rod with the frame for supporting the cassette.
- d. Connect the lifter with the frame for controlling the up and down movement of the cassette.

3) Installation of the cassette:

- a. Open the packaging of the cassette with care.
- b. Connect cassette with pull rod and tighten up with screws.
- c. Connect control wires and adjust the angle of the cassette.



4. Controls

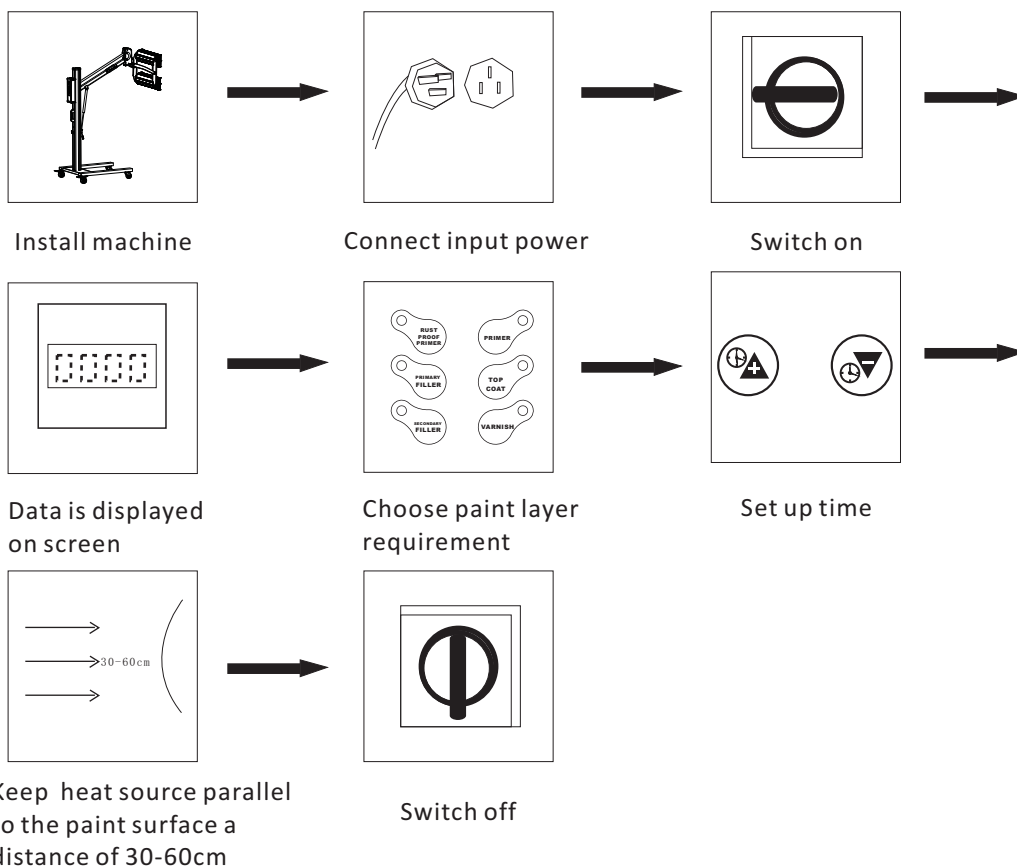


1. Voltage
2. Curing time
3. Time +
4. Time -
- 5/6. Lamp selector
7. Rust proof primer
8. Intermediate primer
9. Primary filler
10. Secondary filler
11. Top coat
12. Varnish
13. Start
14. Stop

Circuit breaker must be installed

5. Operation

1. Connection of electrical supply. Make sure that the supply cable is at least 4mm² at 220V. Note: Make sure that the facility supply voltage and frequency are the same as shown on the equipment name plate.
2. Connect to power supply of AC 220V. Switch on the equipment. The LED display will show the normal voltage as 220V.
3. Set time according to the requirements of the paint to achieve the best curing result.
4. Adjust the distance from heat source to paint surface. (Usually, keeping a distance of 45cm from the paint surface is best.)
5. Protect the lamp against shocks and vibrations especially when it is cold.
6. During the curing process, the paint surface must be clean, without water and impurities.
7. Preferably do not touch quartz with bare hands. If grease or chemical compounds are deposited on the quartz, simply clean with a cloth moistened with alcohol.



6. Troubleshooting

1. Troubleshooting

PROBLEM	CAUSE	SOLUTION
Light tube does not work	a. Light tube damaged b. Lamp is not plugged in	a. Check light tube b. Check the connections
Digital display is blank or is incomplete	a. Unplugged flat wire in circuit board b. Digital display damaged	a. Check flat wire b. Check digital display
Time cannot be adjusted	a. Switch imbalance b. Key board has exclusion	a. Check the installation of switch b. Check keyboard exclusion

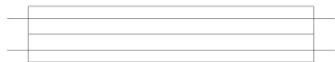
6. Troubleshooting

2. Lamp Tube Replacement



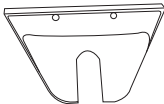
(1)

1. Prepare cassette for replacement



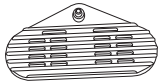
(2)

2. Remove the grille of cassette



(3)

3. Remove the plates from both ends of the cassette



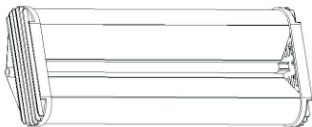
(4)

4. Remove the fixed plates from both ends of the cassette



(5)

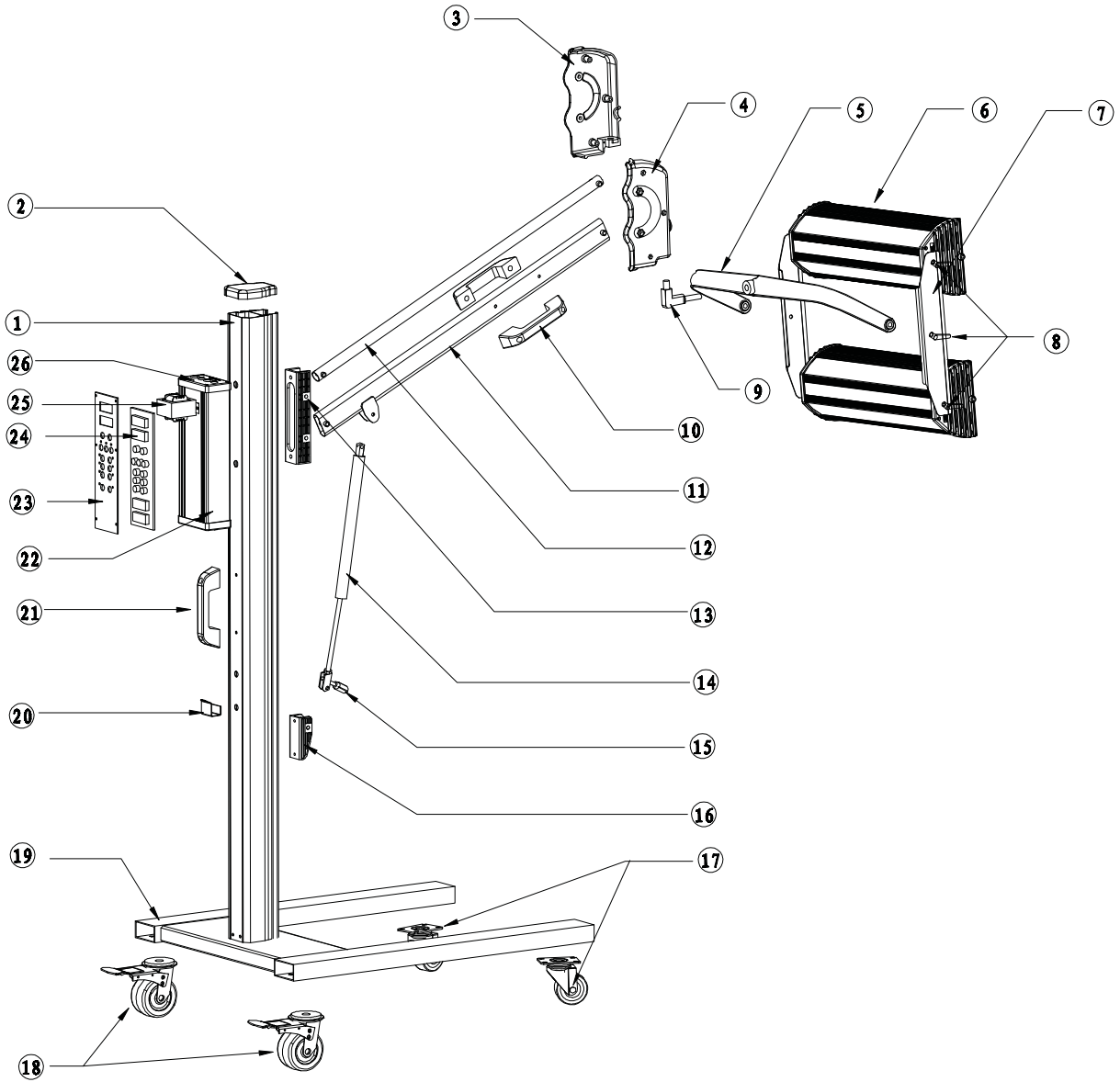
5. Loosen fixed screws and cut off connections, the lamp can be replaced



(6)

6. Reverse the steps above to install the new lamp

7. Exploded View



No.	Name	No.	Name	No.	Name	No.	Name
①	Upright post	⑨	Connecting axle	⑰	Front wheel	⑳	Control transformer
②	Plastic cover	⑩	Handle	⑱	Back wheel	㉑	Plastic cover
③	Connector (left)	⑪	Lower connecting rod	⑲	Base		
④	Connector (right)	⑫	Upper connecting rod	⑳	Cable holder		
⑤	Bracket	⑬	Connector	㉑	Handle		
⑥	Cassette	⑭	Lifter	㉒	Power switch		
⑦	Clamping bar	⑮	Lifter handle	㉓	Control panel		
⑧	Plastic nut	⑯	Lifter handle connector	㉔	Digital display		

8. Circuit Diagram

