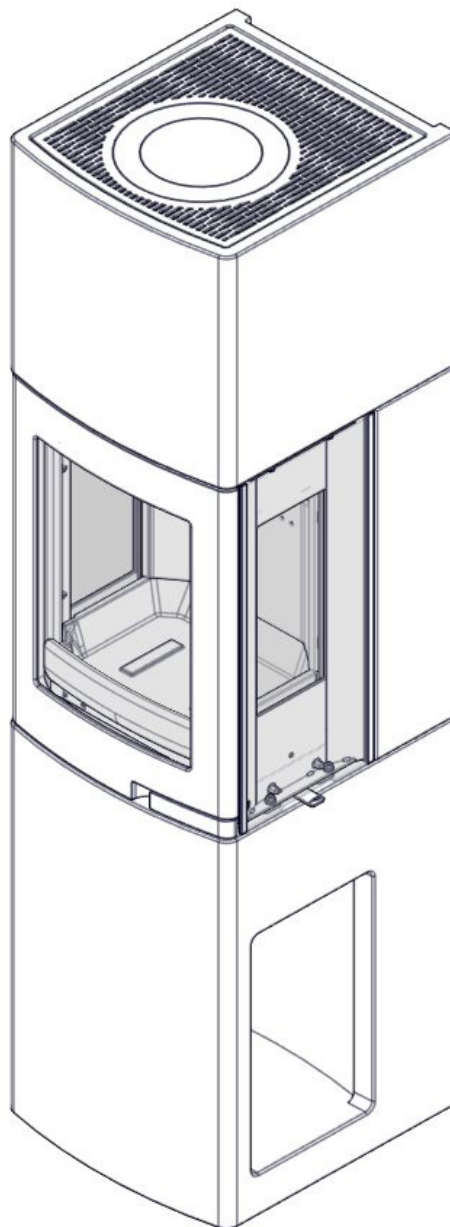


Ⓜ GB	Installation manual	2
Ⓜ DE	Montageanleitung	10
Ⓜ FR	Manuel d'installation	21



Lisboa

IMPORTANT SAFETY PRECAUTIONS!

1. Please follow the installation manual when connecting your stove / fireplace to the chimney / flue pipe. If connected differently from instruction please, consider the heat radiation from the flue pipe to the surrounding materials.
2. Before use, please carefully read the user manual and follow the instructions.
3. Integrated or defined convection openings may never be reduced or partially obstructed. This may lead to overheating, which again can cause house fire or serious damage to the product.
4. Use only designated fire starters. **Never use gasoline, diesel or other liquids to start the fire. This may cause explosions!**
5. Never use other fuel than natural dry chopped wood. Briquettes, peat, coke, coal and waste from construction materials develops far higher temperatures and emissions than natural wood. Since your product has been designed for use with natural wood only, other fuels may damage the product, chimney and surrounding constructions.
6. In case of damage to glass or door gasket, all use of the product must be discontinued until the damage has been repaired.

Failure to follow these precautions will leave your warranty void and expose people and property to danger.

Advise: Even if not required in your area, it is always wise to have a qualified stove / fireplace fitter do the installation, or at least the final inspection before use.

INDEX

1. General information	3
Weight	3
Adjustment	3
Floor plate	3
Acrylic glue	3
Minor damage	3
Fine fissures	3
Painting	3
2. Before Installing a new fireplace	3
Chimney Draught	3
Shared flue gas system	4
Air Supply	4
Floor plate	4
Dimensional drawing	4
3. Technical Information	4
6. Safety distances	4
5. Assembly	4
Assembling bracket leg	4
Initial setting the blocker	4
Rear connection	5
Fresh air supply set	5
Operating Control	5
Removing self-closing door mechanism	5
6. Lighting the fire for the first time	6
Lighting a fire	6
7. Maintenance	6
Cleaning and inspection	6
Ashes	6
Thermotte™ Insulating Plates	6
Door and glass	6
Recycling of the ceramic glass	7
8. Warranty	7
9. Advice on lighting a fire	7
Some advice in case of combustion problems	9

1. General information

Weight

The home owner must ensure that the floor can withstand the load according to the total weight of the fireplace. When installing the product on a floating wood floor, the floor boards underneath the fireplace must be removed, this to avoid the that the floor boards lock and crack.

Adjustment

We recommend to stack the surround without glue in order to adjust the insert prior to perforating the chimney for the flue connection. Use a spirit level to ensure that the surround is mounted straight. The insert will expand with heat and for this reason the surround must not rest on the insert. (Above the insert there must be a gap of 3 to 5 mm. Laterally there is no need for gaps, but between the lower part of the insert and the surround there must be a gap of at least 2 mm.)

Floor plate

A fireproof floor plate must be put in front of the fireplace if the floor is of a combustible material.

Acrylic glue

The fireplace is to be assembled using acrylic glue. Make sure all dust is removed and that the surfaces are clean. When the fireplace is assembled, use the same acrylic glue for filling joints (FIG Z)

Minor damage

The fireplace can sustain minor damage during transport and handling.

This can be repaired with acrylic/light filler. For perfect results, you can fill and sand with a suitable filler. Minor damage and uneven surfaces can be filled. If the damage is deep or in the event of significant damage, you are recommended to fill repeatedly with tile adhesive or cement putty to avoid sinking. Smooth off with e.g. a damp sponge or a float.

Fine Fissures

The building material around the fireplace can move. In new houses in particular, it is common for building materials to settle substantially in the early years. In addition, all concrete elements shrink to a decreasing extent for up to 15 months.

The result is that small cracks may appear in the concrete/masonry.

Use the fireplace for a few months. If cracks appear, scrape them out with a screwdriver or similar (to provide more space for acrylic joint filler). Vacuum the surfaces to remove any dust.

Inject acrylic joint filler and even it out with a spatula or a finger wetted with soapy water.

The joint can be painted after a couple of days.

Painting

When the fireplace has been filled/sanded and the glued joints are dry, the fireplace is ready to be painted. Use only breathable paint (acrylic) intended for masonry

For your own safety, comply with the assembly instructions. All safety distances are minimum distances.

Installation of the insert must comply with the rules and regulations of the country where installed. Nordpeis AS is not responsible for wrongly assembled inserts.

We accept no liability for typographical errors and changes.

2. Before Installing a new fireplace

All our products are tested according to the latest European requirements and also to the **Norwegian standard NS 3058 and NS 3059**, which include particle tests. However, several European countries have local regulations for installation of fireplaces, which change regularly. It is the responsibility of the client that these regulations are complied with in the country/region where the fireplace is installed. Nordpeis AS is not responsible for incorrect installation.

Important to check

(please note that this list is not exhaustive):

- distance from firebox to combustible/flammable materials
- insulation materials/requirements between fireplace surround and back wall
- size of floor plates in front of fireplace if required
- flue connection between firebox and chimney
- insulation requirements if flue passes through a flammable wall

Chimney draft

Compared to older models, the clean burning fireplaces of today put significantly higher demands on the chimney. Even the best fireplace will not work properly if the chimney does not have the right dimensions or is not in good working order. The draught is mainly controlled by gas temperature, outside temperature, air supply as well as the height and inner diameter of the chimney. The diameter of the chimney should never be less than that of the flue/chimney collar. At nominal effect there should be a negative pressure of 12 to 25 Pascal.

The draft increases when:

- The chimney becomes warmer than the outside air
- The active length of the chimney over the hearth increases
- There is good air supply to the combustion

It can be difficult to obtain the right draught conditions in case the chimney is too large relative to the fireplace, as the chimney does not heat up well enough. In such cases you may want to contact professional for evaluation of possible measures. Draught that is too strong can be controlled with a damper. If necessary, contact a chimney sweeper. The product is type

tested and should be connected to a chimney that is dimensioned for the smoke gas temperature indicated in the CE declaration. When necessary, contact a professional in advance.

Shared flue gas system

Appliance can be connected to shared flue gas pipe system. In case of simultaneous operation with other heating appliances, there must be sufficient combustion air provided.

Warning! In case of the appliance connected to shared flue gas pipe system - the Self Closing Door system must be operational.

Air supply

A set for fresh air supply is available as accessory. This will ensure that the air supply to the combustion chamber is less affected by ventilation systems, kitchen fans and other factors which can create a down-draught in the room. In all new construction, we strongly recommend that it is designed and prepared for direct supply of outside air. In older houses, the use of fresh air supply set is also recommended. Insufficient air supply can cause down-draught and thereby low combustion efficiency and the problems that this entails: soot stains on the glass, inefficient use of the wood and a soot deposits in the chimney.

Warning! Keep the air intakes, supplying combustion air, free from blockage. If the requirements for ventilation are NOT complied with, the product can overheat. This can cause a fire.

Warning! Extractor fans when operating in the same room or space as the appliance may cause problem.

Dimensional drawing

The illustrations indicate the approximate centre height of the hole for the flue. Distortions in floors and walls may influence the dimensions. Dry stack the fireplace without glue for accurate height and positioning of the flue/chimney connection.

3. Technical information

All products Nordpeis have secondary combustion and are clean burning. The combustion takes place in two phases: First the wood burns and then the gases from the fumes are lit by the hot air. This ensures that these new fireplaces have minimal emissions of soot particles and un-burnt gases (such as CO) and are thus better for the environment. Clean burning fireplaces require a small amount of wood in order to obtain a good heat output. Use exclusively clean and dry wood.

Weight incl.insert	209 kg
Material insert	Sheet steel
Insert	S-18U
Surface treatment door/doorframe	Heat resistant varnish
Fuel	Wood logs 30 cm
Operating range	4 kW nominal
Efficiency	82%
CO % @ 13% O₂	0,07
Draught system	Air vent control
Combustion system	Secondary combustion (clean burning)
Flue outlet	Top and rear
Flue	Outer Ø 150 mm *Alternative versions exists due to National requirements
Flue gas temperature	262 °C
Air supply requirements (m³/h)	9-13 m ³ /h
Fuel charge	1.3 kg
Refueling interval	50 min
Opening of the air vent control	33%
Operation	Intermittent*

* Intermittent combustion refers to normal use of a fireplace, i.e. new wood is inserted when the previous load has burned down to ember

Warning: If the requirements for ventilation are NOT complied with, the cooling airflow around the product will be considerably reduced and the product can overheat. This can cause a fire.

4. Safety distances

Ensure that the safety distances are complied with (FIG 2).

When connecting a steel chimney to the top outlet follow the assembly instructions from the producer. Ensure to comply with the security distances required for the steel chimney.

5. Assembly

Assembling of a bracket leg - FIG5

The insert is delivered with two assembled front legs. Before you start assembling the surrounding you need to assemble bracket leg to the insert - see FIG5. The bracket leg is longer than front legs, it's advisable to place under the front legs e.g. a 70 mm wooden block in order to keep it in upright position.

Initial setting the blocker - FIG6

The insert has a blocker to keep insert in position in use, after it is assembled. Before assmebling, the blocker has to be checked.

On FIG 6 a blocker screw is shown in correct position.

Rear connection - FIG8 - FIG10

Insert is delivered with chimney conector positioned on the insert top. To utilize rear chimney connection - follow the steps shown on drawings FIG 8-10

Surround assembling instruction (FIG11-26)

FIG 11

Clean the place where the room-heater is going to be located. When rear air supply is used, place the plug to clog bottom hole in the base element - see FIG 11A

FIG 12

Set the base part against the wall. The safety distances "X" shall be preserved according to FIG 2. Use balance tool to to check if the base plate lays evenly. It's also a good tip to check straightness of wall along the height of the appliance to avoid problems during further assembling.

FIG 13-14

If product is going to utilize rear chimney connection, prepare the next element before assembling. Use implements to cut out a hole for the chimney connector on the back along the prefabricated groove.

Use acryl to glue a concrete ring to the back of the element in order to seal chimney connection.

To see the ring placement see also FIG 16.

Attention! Make sure to remove the cut out in the radiation shield, see also FIG 8.

FIG 15-17

Place the element. Make sure the surface is free of any dust and concrete residues. Use acrylic glue between the element and concrete base.

FIG 18-19

Assemble metal connectors. Pay attention to which end of the connentor is placed at the base.

Fasten initially both connectors to the concrete element by screws with washers.

FIG 20-20a

Prepare the insert - check legs height, check position of blocker screws.

FIG 21

Lift the insert into place. Make sure the insert is level with both sides of the bottom elements.

FIG 22

Place the element. Make sure the surface is free of any dust and concrete residues.

Fasten initially both connectors to the concrete element by screws with washers.

FIG 23

Check distances and position of the insert in relation to surrounding parts. Make sure the insert is level with both sides and front of the bottom and upper elements. Once the position is fixed fasten the screws of the metal

connectors to the concrete elements.

FIG 24

Tighten the screw of the blocker in order to keep insert in relative position to the surrounding.

FIG 25

Place the grate on its place. Remove internal lid of the grate when appliance is going to be connected to top chimney connection.

FIG 26

Once the fireplace is assembled, fill the joints with acrylic and even them out with a sponge or finger and some soapy water, in order to have a clear indentation between the elements (FIG Z).

Fresh air supply set (accessory)

Please note! If the fireplace is connected to a fresh air supply set then the surround elements should be prepared for this before assembly of the surround begins. Fresh air supply can be connected through the base plate bottom or back. See FIG 5,6 and FIG Lisboa Air.

Operating control - Ignition air vent control

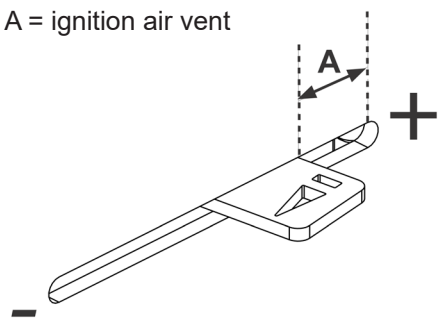
As an integrated part of the air vent control, insert S-18U has an ignition air vent control. By pushing the air vent control rod all the way back (max opening), the ignition air vent control will be activated.

See also FIG 4.

Attention! After ignition, pull the control back to normal.

Air vent control (FIG 4b)	
Forward	Closed
Backward	Open

A = ignition air vent



Removing the self-closing mechanism FIG 41

The self closing door mechanism connected to the stove at the bottom left corner.

Carefully unhook the spring A and remove the small screw holding the arm B with 5 mm Allen key.

The self closing mechanism is now deactivated.

Attention! In some countries removing the self closing mechanism is not allowed. Make sure you follow the local rules and regulations regarding self closing doors.

6. Lighting the fire for the first time

When the fireplace is assembled and all instructions have been observed, a fire can be lit. Take care when inserting logs into the burn chamber, in order not to damage the Thermotte plates. Please note that there might be some humidity in the insulation plates which can result in a slower burn rate the first few times the fireplace is used. This will be resolved once the humidity has evaporated. **It is advisable to ventilate the room well when firing for the first time as the varnish on the fireplace may release some smoke or smell.** Both the smoke and smell will disappear and are not hazardous.

Warning!

In order to avoid injuries, please be aware that the surface may become hot during operation and that extra care need to be taken to avoid skin burn.

Lighting a fire

Insert small dry pieces of kindling wood, ignite and ensure that the flames have established on the wood before closing the door. Open the air vent control (FIG 4) before the door is closed. Additional ignition air is obtained by keeping the door slightly ajar. The air supply is regulated with the air vent control once the flames are stable and the chimney is warm. New wood logs can be inserted when there is a glowing layer of ember. Pull the hot ember to the front of the combustion chamber when inserting new logs so that the wood is ignited from the front. Leave the door slightly ajar each time new logs are inserted so that the flames get well established. The fire should burn with bright and lively flames.

Burning at very a low combustion output and attempting to burn all day and night increase pollution as well as the risk of chimney fire. Never allow the fireplace or flue to become glowing red. Turn off the air vent control should this happen. Regulation of the air vent control takes some experience, but after a little while you will find a natural combustion rhythm.

WARNING:

Never leave the air control in ignition mode for prolonged periods as this may lead to overheating.

IMPORTANT! Always remember to open the air vent control and the door when new wood logs are inserted into a hot burn chamber. Let the flames get established on the wood before the air supply is reduced.

When the draught in the chimney is low and the vent is closed, the gas from the firewood can be ignited with a bang. This can cause damage to the product as well as the immediate environment.

7. Maintenance

Cleaning and inspection

The fireplace should be inspected thoroughly and cleaned at least once per season (possibly in combination with the sweeping of the chimney and chimney pipes).

Ensure that all joints are tight and that the gaskets are rightly positioned. Exchange any gaskets that are worn or deformed.

Remember that the fireplace must always be cold when inspected.

The inspection shall be performed by the Professional servicemen.

Ashes

The ashes should be removed regularly. Be aware that the ashes can contain hot ember even several days after the fire has finished. Use a container of non-combustible material to remove the ashes. It is recommended to leave a layer of ashes in the bottom as this further insulates the burn chamber. Take care with the Thermotte plates when the ashes are removed, particularly when using an ash shovel, so as not to damage them.

Thermotte™ insulating plates

The insulation plates (Thermotte - FIG 3) are classified as "wear and tear" parts which will require to be exchanged after some years.

The wear time will depend on the individual use of your product. Nordpeis offers a one-year warranty on these parts. After this, replacements can be purchased. If new plates are needed, contact your dealer.

When dismantling **see instruction on FIG 27-40** and perform each step in reverse order.

- D. Smoke baffle
- C. Backplate
- A+B. Bottom front + Bottom plate

Please note: Wood logs that are too long can cause strain and crack the plates, due to the tension created between the side plates.

Door and Glass

Should there be any soot on the glass it may be necessary to clean it. Use dedicated glass cleaner, as other detergents may damage the glass. (NB! Be careful, even dedicated glass cleaner can damage the varnish on the door frame). A good advice for cleaning the glass is to use a damp cloth or kitchen roll paper and apply some ash from the burn chamber. Rub around the ash on the glass and finish off with a piece of clean and damp kitchen roll paper. NB! Only clean when the glass is cold.

Check regularly that the transition between the glass and the door is completely tight.

Periodically, it may be necessary to change the gaskets on the door to ensure that the burn chamber is air tight and working optimally. These gaskets can be bought as a set, usually including ceramic glue.

**CERAMIC GLASS
CANNOT BE
RECYCLED**

Ceramic glass should be disposed of as residual waste, together with pottery and porcelain



Recycling of the ceramic glass

Ceramic glass cannot be recycled. Old glass, breakage or otherwise unusable ceramic glass, must be discarded as residual waste. Ceramic glass has a higher melting temperature, and can therefore not be recycled together with glass. In case it would be mixed with ordinary glass, it would damage the raw material and could, in worst case end the recycling of glass. It is an important contribution to the environment to ensure that ceramic glass does not end up with the recycling of ordinary glass.

Packaging Recycle

The packaging accompanying the product should be recycled according to national regulations.

8. Warranty

For detailed description of the warranty conditions see the enclosed warranty card or visit our website www.nordpeis.com

Warning! Use replacement parts recommended only by the Manufacturer.

Warning! Any unauthorized modification of the appliance without written permission of the Manufacturer are prohibited.

9. Advice on lighting a fire

The best way to light a fire is with the use of lightening briquettes and dry kindling wood. Newspapers cause a lot of ashes and the ink is damaging for the environment. Advertising flyers, magazines, milk cartons and similar are not suitable for lighting a fire. Good air supply is important at ignition. When the flue is hot the draught increases and door can be closed.

Warning:

In order to avoid injuries, please be aware that the surface may become hot during operation and that extra care need to be taken to avoid skin burn.

Warning!

NEVER use a lighting fuel such as petrol, kerosene, alcohol or similar for lighting a fire. This could cause injury to you as well as damaging the product.

Use clean and dry wood with a maximum moisture content of 20% and minimum 16%. Humid wood requires a lot of air for the combustion, as extra energy/heat is required for drying the humid wood and heat effect is therefore minimal. In addition this creates soot in the chimney with the risk of creosote and chimney fire.

In case of a chimney fire, close the door and air supplies on the stove / insert and call the Fire Brigade. After a chimney fire the chimney must in all cases be inspected by an authorized chimney sweeper before you use the appliance again.

Storing of wood

In order to ensure that the wood is dry, the tree should be cut in winter and then stored during the summer, under roof and in a location with adequate ventilation. The wood pile must never be covered by a tarpaulin which is lying against the ground as the tarpaulin will then act as a sealed lid that will prevent the wood from drying. Always keep a small amount of wood indoors for a few days before use so that moisture in the surface of the wood can evaporate.

Firing

Not enough air to the combustion may cause the glass to soot. Hence, supply the fire with air just after the wood is added, so that the flames and gases in the combustion chamber are properly burnt off. Open the air vent and have the door slightly ajar in order for the flames to establish properly on the wood.

Note that the air supply for the combustion also can be too large and cause an uncontrollable fire that very quickly heat up the whole combustion chamber to an extremely high temperature (when firing with a closed or nearly closed door). For this reason you should never fill the combustion chamber completely with wood.

It is recommended to keep an even fire with a small amount of wood. Too many logs put on hot ember, may result in combustion air starvation, and the gases will be released unburnt. For this reason it is important to increase the air supply just after adding the logs.

Choice of fuel

All types of wood, such as birch, beech, oak, elm, ash and fruit trees, can be used as fuel in the insert. Wood species have different degrees of density - the more dense the wood is, the higher the energy value. Beech, oak and birch has the highest density.

Attention!

We do not recommend using fuel briquettes/ compact wood in our products. Use of such fuel may cause the product to overheat and exceed the temperatures determined safe.

Burning briquettes/ compact wood is done so at your own risk and only small amounts (max 1/3 of normal load) should be used for each load.

Warning

NEVER use impregnated wood, painted wood, plywood, chipboard, rubbish, milk cartons, printed material or similar. If any of these items are used as fuel the warranty is invalid.

Common to these materials is that they during combustion can form hydrochloric acid and heavy metals that are harmful to the environment, you and the insert. Hydrochloric acid can also corrode the steel in the chimney or masonry in a masonry chimney. Also, avoid firing with bark, sawdust or other extremely fine wood, apart from when lighting a fire. This form of fuel can easily cause a flashover that can lead to temperatures that are too high.

Warning Make sure the insert is not overheated - it can cause irreparable damage to the product. Such damage is not covered by the warranty.

Source "Håndbok, effektiv og miljøvennlig vedfyring" by Edvard Karlsvik SINTEF Energy Research AS and Heikki Oravainen, VTT.

Some advice in case of combustion problems

Error	Explanation	Solution
No draught	The chimney is blocked.	Contact a chimney sweeper / dealer for more information or clean the flue, smoke baffle and burn chamber.
	The flue is sooty or there is accumulated soot on the smoke baffle.	
	The smoke baffle is wrongly positioned.	Verify the assembly of the smoke baffle - see assembly instructions.
The insert release smoke when lighting the fire and during combustion	Downdraught in the room caused by no draught, that the house is too "air tight".	Light the fire with an open window. If this helps, more/bigger vents must be installed in the room.
	Downdraught in the room – caused by extractor and/or central ventilation system that pulls too much air out of the room.	Turn off/regulate extractor and/or other ventilation. If this helps, more vents must be installed.
	The flues from two fireplaces/stoves are connected to the same chimney at the same height.	One flue must be repositioned. The height difference of the two flue pipes must be of at least 30 cm.
	The flue is in a declining position from the smoke dome to the chimney.	The flue must be moved so that there is an inclination of at least 10° from smoke dome to chimney. Possibly install a smoke suction device*.
	The flue is too far into the chimney.	The flue must be reconnected so that it does not enter into the chimney but ends 5 mm before the chimney inner wall. Possibly install a smoke suction device*.
	Soot hatch in the basement or attic that is open and thus creating a false draught.	Soot hatches must always be closed. Hatches that are not tight or are defected must be changed.
	Damper/top draught vents or doors on fireplaces that are not in use are open and create a false draught.	Close damper, doors and top draught vents on fireplaces that are not in use.
	An open hole in the chimney after that a fireplace has been removed, thus creating a false draught.	Holes must be completely sealed off with masonry.
	Defect masonry in the chimney, e.g. it is not airtight around the flue pipe entry and/or broken partition inside the chimney creating a false draught.	Seal and plaster all cracks and sites that are not tight.
	The cross-section in the chimney is too large which results in no or very low draught.	The chimney must be refitted, possibly install a smoke suction device*.
	The cross-section in the chimney is too small and the chimney cannot carry out all the smoke.	Change to a smaller fireplace or build new chimney with a larger cross section. Possibly install a smoke suction device*.
The chimney is too low and hence a poor draught.	Increase the height of the chimney and/or install a chimney cap/smoke suction device*.	
The fireplace releases smoke inside when it is windy outside.	The chimney is too low in relationship to the surrounding terrain, buildings, trees etc.	Increase the height of the chimney and/or install a chimney cap/smoke suction device*.
	Turbulence around the chimney due to the roof being too flat.	Increase the height of the chimney and/or install a chimney cap/smoke suction device*.
The fireplace does not heat sufficiently.	The fireplace combustion receives too much oxygen due to a leakage under the lower border of the insert or too strong chimney draught. Difficult to regulate the combustion and the wood burn up too quickly.	Any possible leakage must be sealed off. A draught regulator or possibly a damper can reduce the chimney draught. NB! A leakage of only 5 cm ² is enough for 30% of the heated air to disappear.
Too much draught	The smoke buffer is wrongly positioned.	Verify the positioning of the smoke buffer – see assembly instructions.
	In case of using oven-dried wood, this requires less air supply than when using normal wood.	Turn down the air supply.
	The gaskets around the door are worn and totally flat.	Replace the gaskets, contact your dealer.
	The chimney is too large.	Contact chimneysweeper or other professional for more details.
The glass is sooty	The wood is too wet.	Only use dry wood with a humidity of maximum 20%.
	The air vent control is closed too tightly.	Open the air vent control to add air to the combustion. When new wood logs are inserted all vent controls should be completely opened or the door slightly opened until the flames have a good take on the wood.
White glass	Bad combustion (the temperature is too low).	Follow the guidelines in this user guide for correct combustion.
	Using wrong material for combustion (such as: painted or impregnated wood, plastic laminate, plywood etc).	Ensure to use only dry and clean wood.
Smoke is released when the door is opened	A levelling out of pressure occurs in the burn chamber.	Open the air vent control for about 1 min before opening the door – avoid opening the door too quickly.
	The door is opened when there is a fire in the burn chamber.	Open the door carefully and/or only when there is hot ember.
White smoke	The combustion temperature is too low.	Increase the air supply.
	The wood is humid and contains water damp.	Ensure to use only dry and clean wood.
Black or grey/black smoke	Insufficient combustion.	Increase the air supply.

WICHTIGE SICHERHEITSHINWEISE:

1. Befolgen Sie beim Anschluss Ihres Kaminofens bzw. Kamins an den Schornstein bzw. das Rauchgasrohr die Installationsanleitung. Wenn Sie von den Anschlussanweisungen abweichen, beachten Sie die Wärmestrahlung vom Rauchgasrohr, die auf die umliegenden Materialien einwirkt.
2. Lesen Sie vor dem Gebrauch sorgfältig die Bedienungsanleitung und befolgen Sie die Anweisungen.
3. Integrierte oder anders hergestellte Konvektionsöffnungen dürfen niemals reduziert oder teilweise überdeckt werden. Dies kann zu einer Überhitzung führen, was wiederum Hausbrände oder schwere Schäden am Produkt verursachen kann.
4. Verwenden Sie nur zulässige Feueranzünder.
Verwenden Sie zum Anzünden niemals Benzin, Diesel oder andere Flüssigkeiten. Dies kann Explosionen verursachen!
5. Verwenden Sie als Brennstoff ausschließlich geschla genes und getrocknetes Naturholz. Briketts, Torf, Koks, Kohle und Bauabfälle erzeugen weitaus höhere Temperaturen und Emissionen als Naturholz. Da Ihr Produkt nur für eine Verwendung mit Naturholz ausgelegt ist, können andere Brennstoffe das Produkt, den Schornstein und die umliegenden Bauten beschädigen.
6. Bei Schäden an Glas oder Türdichtung darf das gesamte Produkt erst wieder verwendet werden, nachdem eine Reparatur ausgeführt worden ist.

Eine Nichtbeachtung dieser Vorsichtsmaßnahmen führt zu einem Erlöschen der Garantie und setzt Personen sowie Eigentum Gefahren aus.

Hinweis: Auch wenn dies bei Ihnen nicht erfordert wird, empfiehlt es sich stets, einen qualifizierten Kaminofen-/Kamininstallateur mit der Montage zu beauftragen oder zumindest eine Endabnahme vor der Inbetriebnahme ausführen zu lassen.

INHALTSVERZEICHNIS

1. Allgemeine Information	10
Gewicht	10
Anschluss an den Schornstein	11
Akrykleber	11
Kleinere Schäden	11
Feine Risse	11
Streichen	11
Marmorbehandlung	11
2. Vor dem Aufbau des Gerätes	11
Schornsteinzug	11
Gemeinsam genutztes Rauchgassystem	12
Zuluft	12
Bodenplatte	12
3. Technische Information	12
4. Sicherheitsabstand zu brennbarem Material	13
5. Aufbau	13
Montage eines Halterungsbeins	13
Ersteinstellung der Arretierung	13
Rückseitiger Anschluss	13
Funktionskontrolle	14
6. Erstbefuerung	14
7. Pflege	14
Reinigung und Inspektion	14
Asche	14
Thermotte™ platten	15
Feuerraumtür und Sichtscheibe	15
8. Garantie	15
9. Tipps zur Befuerung	15
10. Grundsätzliche Anforderungen	16
Hilfe bei Problemen mit der Verbrennung	19

1. Allgemeine Information

Gewicht

Der Hausbesitzer muss sich vergewissern, dass der Boden das Gesamtgewicht des Kamines tragen kann. Wenn das Produkt auf einem fließend verlegten Holzboden aufgestellt wird, müssen die sich unter dem Kamin befindenden Holzplanken entfernt werden, damit sich der Boden nicht hebt.

Anschluss an den Schornstein

Wir empfehlen, die Kaminanlage ohne Kleber zu errichten, um den Einsatz vor dem Durchbohren des Schornsteins für die Verbindung mit dem Rauchrohr anzupassen. Benutzen Sie eine Wasserwaage, um sicherzustellen, dass die Kaminanlage gerade montiert wurde. Der Heizeinsatz dehnt sich bei Hitze aus und darf nicht auf der Verkleidung aufliegen. (Über dem Heizeinsatz muss ein Spalt von 3 bis 5 mm verbleiben. An den Seiten sind keine Spalten erforderlich, doch an der Unterseite des Heizeinsatzes und der Verkleidung muss ein Spalt von mindestens 2 mm verbleiben.)

Bodenplatte

Vor dem Kamin muss eine feuerfeste Bodenplatte verlegt werden, wenn der Boden aus brennbarem Material besteht.

Acrylkleber

Der Kamin wird mit Acrylkleber montiert. Versichern Sie sich, dass sämtlicher Staub entfernt wurde und die Oberflächen sauber sind. Verwenden Sie nach der Montage des Kamins den selben Acrylkleber zum Auffüllen von Fugen. (Abb. Z)

Kleinere Schäden

Der Kamin kann während der Beförderung und Handhabung leicht beschädigt werden. Diese Schäden können mit einer Acryl-Spachtelmasse oder leichten Spachtelmassen repariert werden. Um ein perfektes Ergebnis zu erhalten, können Sie die Fugen mit einer geeigneten Spachtelmasse auffüllen und abschmiegeln. Leichte Beschädigungen und Unebenheiten können aufgefüllt werden. Bei tiefer gehenden Beschädigungen oder im Falle von erheblichen Schäden wird empfohlen, die Beschädigung wiederholt mit Fliesenkleber oder Zement-Spachtelmasse zu füllen, um ein Einsinken der Füllmasse zu vermeiden. Anschließend mit einem feuchten Schwamm oder einer Kelle glatt streichen.

Feine Risse

Das den Kamin umgebende Bauwerk kann arbeiten. Vor allem in neuen Häusern setzen sich Baumaterialien in den ersten Jahren nach dem Bau erheblich. Zudem verringert sich die Größe aller Betonelemente in abnehmendem Maße für bis zu 15 Monate.

Daher können kleine Risse im Beton, im Mauerwerk und an der Kaminverkleidung auftreten.

Verwenden Sie den Kamin für ein paar Monate. Falls Risse auftreten, schaben Sie diese mit einem Schraubenzieher oder etwas Ähnlichem aus (um mehr Platz für die Acryl-Spachtelmasse zu schaffen). Saugen Sie die Oberflächen ab, um Staub zu entfernen. Füllen Sie den Riss mit Spachtelmasse und streichen Sie diese mit einem Spachtel oder einem mit Seifenwasser angefeuchteten Finger glatt. Die Fuge kann nach wenigen Tagen gestrichen werden.

Streichen

Wenn die Unebenheiten des Kamins aufgefüllt/ abgeschmiegelt wurden und die geklebten Fugen trocken sind, kann der Kamin gestrichen werden. Verwenden Sie nur atmungsaktive, mineralische Farben. Der Fachhandel steht Ihnen bei der Auswahl der Farbe zur Seite.

Marmorbehandlung

Reinigen Sie die Platten mit mildem Seifenwasser und entfernen Sie alle überflüssigen Klebstoffrückstände. Verwenden Sie niemals säurehaltige, aggressive Mittel, da diese die Oberfläche und Politur angreifen. Es ist wichtig, dass Reinigungs-/Dichtungsmittel verwendet werden, die zum Reinigen und Versiegeln von Marmor zugelassen sind. Kratzer in dunklem Marmor können mit einem Bleistift übermalt werden. Ein Steinfachgeschäft kann Ihnen bei den unterschiedlichen Produkten für die Oberflächenbehandlung des Steins weiterhelfen.

Folgen Sie zu Ihrer eigenen Sicherheit der Montageanleitung. Alle Sicherheitsabstände sind Mindestabstände. Die Installation der Heizeinsätze muss nach den Vorschriften und Bestimmungen des Landes, in dem die Kaminanlage installiert wird, erfolgen. Nordpeis AS übernimmt für falsch montierte Kaminanlagen keine Verantwortung. Wir übernehmen keinerlei Haftung für Druckfehler und Veränderungen.

2. Vor dem Aufbau des Gerätes

“Alle unsere Geräte sind geprüft und entsprechen den neuesten europäischen Normen. Bei der Installation von Feuerstätten gelten in Europa je nach Land und Region unterschiedliche Sicherheitsvorschriften, die laufend auf den neusten Stand gebracht werden. Als Endkunde sind Sie selbst für die Einhaltung dieser Standards in Ihrer Gegend verantwortlich. Nordpeis AS haftet nicht für unsachgemäße Installation.

Bitte prüfen Sie unter anderem:

- Abstand zwischen Heizeinsatz und brennbaren Gegenständen
- Isoliermaterial zwischen Kaminverkleidung und Hinterwand
- Größe der Bodenplatten vor dem Gerät, wenn notwendig
- Rauchrohranschluss zwischen Heizeinsatz und Schornstein
- Notwendige Isolierung, falls das Rauchrohr durch eine Wand aus brennbarem Material gehen soll

Schornsteinzug

Im Vergleich zu älteren Modellen stellt ein sauber brennendes Gerät wesentlich höhere Ansprüche an den Schornstein. Selbst das beste Gerät wird schlecht funktionieren, wenn der Schornstein falsch dimensioniert oder nicht in einwandfreiem Zustand ist. Der Schornstein ist in erster Linie von der Höhe und dem inneren Durchmesser des Schornsteins abhängig, sowie von der Rauchgas- und Außentemperatur. Der

Durchmesser des Schornsteins darf nie geringer als der Durchmesser des Rauchrohres sein.

Mindestförderdruck bei Nennleistung 12 Pa.

Der Zug (Förderdruck) wird stärker:

- wenn der Schornstein wärmer als die Außenluft ist
- der Schornstein länger ist
- wenn gute Luftzufuhr bei der Verbrennung geleistet wird

Wenn der Durchmesser des Schornsteins im Vergleich zur Feuerstätte zu groß ist, ist es schwierig, einen guten Zug zu erzielen, da sich der Schornstein nicht genügend erwärmt. In diesem Fall wenden Sie sich bitte an den Fachmann, der Sie sicher gern berät. Bei zu starkem Zug hilft ein Zugreduzierer. Falls notwendig, kontaktieren Sie einen Schornsteinfeger. Das Gerät ist typengeprüft und soll an einen Schornstein angeschlossen werden, welcher der Rauchgastemperatur in der EU-Übereinstimmungserklärung entspricht. Im Zweifelsfall kontaktieren Sie im Vorhinein einen Fachmann.

Gemeinsam genutztes Rauchgassystem

Das Gerät kann mit einem gemeinsam genutzten Rauchgasrohrsystem verbunden werden. Bei einem gleichzeitigen Betrieb mit anderen Heizgeräten muss eine ausreichende Verbrennungsluftmenge zugeführt werden.

Warnung! Wenn das Gerät mit einem mehrfach belegtem Schornstein verbunden wird, muss das selbstschließende Türsystem funktionsfähig sein.

Zuluft

Als Zubehör gibt es ein Zuluft-Kit für den Anschluss an die Außenluft. Dieses stellt sichert, dass die Zuluft zur Brennkammer weder durch Lüftungsanlagen, noch Abzugshauben und andere Faktoren im Haus beeinträchtigt wird und verhindert ggf. einen Unterdruck. Bei jedem Neubau raten wir, die Zuluft von außen einzuplanen und vorzubereiten. Auch bei älteren Konstruktionen empfehlen wir das Zuluft-Kit. Ungenügende Zuluft kann einen Unterdruck verursachen, eine effiziente Verbrennung und optimale Nutzung des Holzes verhindern und zu Problemen wie verschmutzte Sichtfenster und verrostetem Schornstein führen. Bitte lassen Sie sich vorab von Ihrem Fachhändler beraten.

Ggf. muss für eine zusätzliche Frischluftzufuhr gesorgt werden. *2/ siehe Punkt 10 Verbrennungsluft.

Warnung!
Lufteinlässe, durch die Verbrennungsluft strömt, dürfen nicht blockiert werden.

Warnung!
Aktive Abluftventilatoren im selben Raum oder Bereich wie das Gerät können Probleme verursachen.

Bodenplatte

Bei hitzeunbeständigem Bodenbelag muss das Gerät auf eine Bodenplatte aus nicht brennbarem Material gestellt werden. Diese muss die Feuerraumöffnung vorn um 500 mm und seitlich um 300 mm überragen.

3. Technische Information

Nordpeis-Geräte stellen eine neue Generation von Feuerstätten dar und sind freundlich zur Umwelt. Sie ermöglichen eine bessere Wärmenutzung, brennen sauber und geben bei korrekter Befuerung nur geringste Mengen Feinstaub und Kohlenstoff (CO) ab. Sauber brennende Feuerstätten verbrauchen weniger Holz. Ihr Nordpeis-Gerät arbeitet mit Primär- und Sekundärverbrennung; das geschieht auf zwei Etappen: zuerst brennt das Holz, dann die sich daraus entwickelten, erwärmten Gase. Verwenden Sie ausschließlich reines und trockenes Brennholz mit minimal 15% und maximal 20% Feuchtigkeit

Verkleidung:	Lisboa
Heizeinsatz:	S-18U
Material Heizeinsatz:	Stahl
Oberflächenbehandlung Feuerraumtür / Türrahmen:	Hitzebeständiger Lack
Brennstoff:	Holzsplit 30 cm
Nennwärmeleistung:	4 kW
Wirkungsgrad	82%
CO % @ 13% O₂	0,07
Luftzufuhr:	Sekundärluftventil
Verbrennung:	Sekundärverbrennung (saubere Verbrennung)
Rauchrohranschluss:	oben und hinten
Rauchrohr:	Durchmesser außen 150 mm
Gewicht Heizeinsatz mit Verkleidung	209 kg
Rauchgastemperatur	262°C
Notwendige Luftmenge m³/Std	9-13
Nominalbelastung	1,3 kg
Auflage – Intervall	50 min
Befeuervungsventil	33%
Betriebsart	Periodisch*

** Eine periodische Betriebsart bezeichnet die normale Verwendung einer Feuerstätte, bei der nach vorhandener Glutbildung der vorherigen Holzladung wieder Brennstoff nachgelegt wird.*

Achtung: Wenn die korrekte Luftzufuhr nicht gewährleistet ist, wird die Wärmezirkulation wesentlich herabgesetzt, das Gerät wird überhitzt und es besteht Brandgefahr.

4. Sicherheitsabstand zu brennbarem Material

Vergewissern Sie sich, dass alle Sicherheitsabstände eingehalten werden. (FIG 2).

Falls Sie einen Schornstein aus Stahlelementen mit Anschluss „oben“ anschließen, halten Sie sich an die Montageleitung und die Sicherheitsabstände, die dieser Hersteller vorgibt.

5. Aufbau

Montage eines Halterungsbeins, Abb. 5

Der Einsatz wird mit montierten Frontbeinen geliefert. Bevor Sie die Einfassung montieren, muss das Halterungsbein am Einsatz angebracht werden, siehe Abb. 5. Das Halterungsbein ist länger als die Frontbeine. Es empfiehlt sich, z.B. einen 70 mm starken Holzblock unter die Frontbeine zu legen, um eine aufrechte Position beizubehalten.

Ersteinstellung der Arretierung, Abb. 6

Der Einsatz besitzt eine Positionsarretierung bei seiner Nutzung (nach der Montage).

Vor der Montage muss die Arretierung überprüft werden.

Abb. 6 zeigt eine Arretierschraube in der korrekten Position.

Rückseitiger Anschluss, Abb. 8-10

Der Einsatz wird mit einem Schornsteinanschluss geliefert, der oben am Einsatz angebracht ist. Um einen rückseitigen Schornsteinanschluss zu nutzen, befolgen Sie die Schritte auf Abb. 8-10.

Montageanleitung für Einfassung (Abb. 11-26)

Abb. 11

Reinigen Sie den Bereich, in dem sich die Raumheizung befinden soll. Setzen Sie bei einer rückseitigen Luftzufuhr den Verschlussstopfen für die untere Öffnung im Grundelement ein, siehe Abb. 11a.

Abb. 12

Stellen Sie das Grundelement an der Wand auf. Die Sicherheitsabstände („X“) laut Abb. 2 müssen eingehalten werden. Prüfen Sie mit einer Wasserwaage, ob die Grundplatte eben ausgerichtet ist. Es ist zudem empfehlenswert, die Rotrecht der Wand über die gesamte Gerätehöhe zu prüfen. So lassen sich Probleme bei der weiteren Montage vermeiden.

Abb. 13-14

Wenn am Produkt der rückseitige Schornsteinanschluss genutzt werden soll, bereiten Sie vor der Montage das nächste Element vor. Verwenden Sie ein entsprechendes Werkzeug, um entlang der vorgefertigten Nut an der Rückseite eine Öffnung für den Schornsteinanschluss herzustellen.

Befestigen Sie mit Acrylkleber einen Betonring an der Rückseite des Elements, um den Schornsteinanschluss abzudichten.

Aus Abb. 16 geht hervor, wie der Ring zu positionieren ist.

Achtung! Stellen Sie sicher, dass die Ausstattung im Wärmeschutz entfernt wird, siehe auch Abb. 8.

Abb. 15-17

Positionieren Sie das Element. Vergewissern Sie sich, dass sich auf der Oberfläche weder Staub noch Betonreste befinden. Verwenden Sie Acrylkleber zwischen Element und Verkleidungssockel.

Abb. 18-19

Montieren Sie die Metallanschlüsse. Achten Sie darauf, welches Anschlussende sich am Sockel befindet. Befestigen Sie zunächst beide Anschlüsse am Betonelement. Verwenden Sie dazu Schrauben mit Unterlegscheiben.

Abb. 20-20a

Bereiten Sie den Einsatz vor: Überprüfen Sie die Bein-höhe und die Position der Arretierschrauben.

Abb. 21

Heben Sie den Einsatz an seine Position. Stellen Sie sicher, dass der Einsatz mit beiden Seiten der unteren Elemente bündig abschließt.

Abb. 22

Positionieren Sie das Element. Vergewissern Sie sich, dass sich auf der Oberfläche weder Staub noch Betonreste befinden.

Befestigen Sie zunächst beide Anschlüsse am Betonelement. Verwenden Sie dazu Schrauben mit Unterlegscheiben.

Abb. 23

Überprüfen Sie die Abstände und die Einsatzposition im Verhältnis zu den umgebenden Bestandteilen. Stellen Sie sicher, dass der Einsatz mit beiden Seiten und der Front der unteren und oberen Elemente bündig abschließt.

Wenn die Position festgelegt wurde, befestigen Sie die Metallanschlüsse mithilfe von Schrauben an den Betonelementen.

Abb. 24

Ziehen Sie die Arretierschraube fest, um den Einsatz in der relativen Position zur Einfassung zu befestigen.

Abb. 25

Montieren Sie den Rost. Entfernen Sie die innere Rostabdeckung, wenn das Produkt mit einem Schornsteinanschluss auf der Oberseite genutzt werden soll.

Abb. 26

Nach der Montage des Kaminanlage sind die Fugen mit Acryl-Spachtelmasse zu verfüllen und mit einem Schwamm oder Finger sowie etwas Seifenwasser glattzustreichen, damit die Elemente sauber abgetrennt sind (Abb. Z).

Zuluft

Hinweis! Wenn das Gerät an Frischluft angeschlossen wird, sollen erst alle Elemente dafür vorbereitet werden, bevor Sie mit der Montage der Verkleidung beginnen. Frischluft kann über die Basisplatte oder über eine der beiden Seiten des Sockels zugeführt werden. . Siehe Abb. 5, 6 und Abb. Lisboa Air.

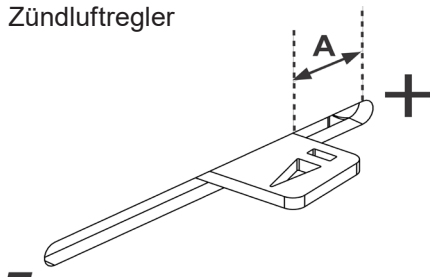
Funktionskontrolle – Zündluftregler

Als integrierten Bestandteil der Luftklappenregelung verfügt der Lisboa über einen Zündluftregler. Durch komplettes Hineinschieben der Luftreglerstange (max. Öffnung) wird der Zündluftregler aktiviert. Siehe auch Abb. 4.

Achtung! Ziehen Sie den Regler nach dem Zünden in seine Normalstellung zurück

Luftklappenregelung (Abb. 4b)	
Vorwärts	Geschlossen
Rückwärts	Geöffnet

A= Zündluftregler



Entfernen des Selbstschließmechanismus, Abb. 41

Der Selbstschließmechanismus für die Tür ist an der linken unteren Ecke am Heizeinsatz angebracht

Lösen Sie vorsichtig die Feder A und entfernen Sie die kleine Schraube zur Befestigung von Arm B mit einem 5-mm-Inbusschlüssel.

Der Selbstschließmechanismus ist nun deaktiviert.

Achtung! In einigen Ländern ist das Entfernen des Selbstschließmechanismus nicht zulässig. Beachten Sie die lokal geltenden Regeln und Bestimmungen zu selbstschließenden Türen.

6. Erstbefuerung

Nachdem Ihr Gerät montiert ist und alle Anweisungen befolgt wurden, kann befeuert werden.

Achten Sie beim Beladen der Brennkammer darauf die Thermotte platten nicht zu beschädigen.

Da die Isolierplatten im Neuzustand noch Feuchtigkeit halten, kann es während der ersten Befeuern zu einer trägeren Verbrennung kommen. Dadurch verdampft die überschüssige Feuchtigkeit.

Während der Erstbefuerung empfehlen wir gutes Durchlüften, da der Lack des Gerätes Rauch und Geruch abgeben wird. Rauch und Geruch sind unbedenklich und verschwinden schnell.

Wenn Sie bereits Glut haben, können Sie nachlegen. Bevor Sie nachlegen, holen Sie die Glut nach vorn, damit sich das neue Holz besser entzündet. Damit die Flammen aus der Glut besser angefacht werden und das neue Holz entzünden, lehnen Sie kurzfristig die Feuerraumtür nur an. Ihr Feuer soll mit kräftigen Flammen lodern, bevor Sie die Feuerraumtür schließen.

Es ist umweltschädlich, Ihr Gerät mit zu geringer Luftzufuhr arbeiten zu lassen. Ein ununterbrochenes Befeuern dagegen kann zum Schornsteinbrand führen. Der Ofen oder das Ofenrohr dürfen niemals rot glühen. Sollte dies doch passieren, schließen Sie das Sekundärluftventil / Regler für die Verbrennungsluft. Es braucht ein bisschen Erfahrung, das Sekundärluftventil / Regler für die Verbrennungsluft optimal zu bedienen. Nach einiger Zeit werden Sie Ihren eigenen Befeuerrhythmus finden.

Achtung:
Den Luftregler nur während der Zündphase in die Zündposition schieben, ein Verbleib über die Zündphase hinaus kann zu Schäden an der Anlage führen.

Wichtig! Beim Nachlegen öffnen Sie immer das Sekundärventil und die Feuerraumtür ganz. Das Holz soll sich richtig gut entzünden, bevor Sie die Luftzufuhr reduzieren.
Bei geringem Zug und geschlossenem Ventil können sich die Gase aus dem Holz mit einem Knall entzünden und Gerät und Umgebung schaden.

7. Pflege

Reinigung und Inspektion

Mindestens ein Mal im Laufe der Heizsaison soll das Gerät gründlich untersucht und gereinigt werden. (z.B. bei Reinigung des Schornsteines und des Rohres). Alle Fugen müssen dicht sein und die Dichtungen müssen ordentlich befestigt sein. Abgenutzte Dichtungen gehören erneuert.

Das Gerät muss vor Begutachtung ausgekühlt sein.

Asche

Die Asche muss regelmäßig entfernt werden. Bedenken Sie, dass sich einen Tag nach dem Befeuern noch immer Glut in der Asche befinden kann! Verwenden Sie einen nicht brennbaren, hitzeunempfindlichen Behälter, um die Asche zu entfernen. Wir empfehlen, eine dünne Schicht Asche in der Brennkammer zu belassen, da dies durch die isolierende Wirkung die nächste Befeuern erleichtert. Achten Sie beim Entleeren der Asche darauf,

die Isolierplatten nicht zu beschädigen - Vorsicht mit der Aschenschaufel!

Thermotte™platten

Die Isolierplatten (Thermotte) sind als Verschleißteile eingestuft und müssen deshalb nach einigen Jahren ausgetauscht werden. Die Verschleißzeit hängt von der individuellen Nutzung Ihres Produktes ab.

Nordpeis gibt auf diese Teile 1 Jahr Garantie. Danach können Ersatzteile gekauft werden. Für neue Thermotteplatten kontaktieren Sie Ihren Fachhändler.

Befolgen Sie bei der Demontage **die Anleitung auf Abb. 27-40** und führen Sie alle Schritte in umgekehrter Reihenfolge aus.

D. Rauchumlenkblech
C. Rückplatte
A+B. Unterseite vorn + Bodenplatte

Beachten Sie, dass zu lange Holzscheite Spannungsdruck auf die Platten ausüben und diese beschädigen oder brechen können.

Feuerraumtür und Sichtscheibe

Wenn die Sichtscheibe rußig ist, dürfen keine abschürfenden Reinigungsmittel verwendet werden. Verwenden Sie daher ein passendes Glasreinigungsmittel und vermeiden Sie, daß das Mittel mit dem Lack in Berührung kommt. Reinigungsmittel schaden dem Lack, falsche Reinigungsmittel schaden dem Glas! Ein guter Tipp ist, mit einem feuchten Lappen oder Küchenpapier etwas Asche aus der Brennkammer aufzunehmen und damit die Glasscheibe abzureiben. Dann mit einem frischen, feuchten Küchenpapier nachputzen.

Merke: Niemals im warmen Zustand das Glas reinigen!

Kontrollieren Sie regelmäßig, daß die Übergänge zwischen Glas und Türrahmen dicht sind. In regelmäßigen Abständen sollten die Dichtungen ausgetauscht werden, damit Ihr Gerät gut dicht ist und optimal funktioniert.

**FEUERFESTES GLAS
KANN NICHT
WIEDERGEWONNEN
WERDEN**

**Feuerfestes Glas muss
als Restmüll, gemeinsam
mit Keramik und Porzellan
entsorgt werden**



Wiedergewinnung von feuerfestem Glas

Feuerfestes Glas kann nicht wiedergewonnen werden! Bruchglas und nicht wiederverwendbares, hitzebeständiges Glas muss als Restmüll entsorgt werden. Feuerfestes Glas hat eine höhere Schmelztemperatur und kann daher nicht mit dem

Altglas entsorgt werden. Bei gemeinsamer Entsorgung mit Altglas würde es die Wiedergewinnung des Rohmaterials aus dem Altglas zerstören. Es stellt einen wichtigen Beitrag zur Umwelt dar, feuerfestes Glas nicht mit dem Altglas zu entsorgen, sondern als Sondermüll an Ihrer Entsorgungsstelle.

Entsorgung des Verpackungsmaterials

Die Produktverpackung soll vorschriftsmässig (länderspezifisch) entsorgt werden.

8. Garantie

Ausführliche Information über Garantieregelungen entnehmen Sie bitte der beiliegenden Garantiekarte oder unserer Internetseite www.nordpeis.de

Das CE-Typenschild ist hinter dem Wärmeschutzblech angebracht.

Warnung!
Verwenden Sie ausschließlich vom Hersteller empfohlene Ersatzteile.

Warnung!
Unbefugte Modifikationen am Gerät ohne schriftliche Genehmigung des Herstellers sind verboten.

9. Tipps zur Befuerung

Zum Anfeuern verwendet man am Besten Anzündwürfel und Schnittholz. Zeitungspapier macht viel Asche und außerdem ist Druckerschwärze schädlich für die Umwelt. Auch Flugblätter, Zeitschriften und alte Milchkartons sollen nicht im Kamin verbrannt werden. Beim Befeuern ist eine gute Luftzufuhr wichtig. Wenn der Schornstein erwärmt ist, herrscht besserer Zug und Sie können die Feuerraumtür schließen.

Warnung!
Um Verletzungen zu vermeiden, beachten Sie, dass die Oberfläche beim Betrieb heiß werden kann. Daher ist besondere Vorsicht geboten, damit keine Hautverbrennungen verursacht werden.

Achtung: Verwenden Sie nie flüssige Brennstoffe wie Petroleum, Paraffin oder Spiritus zum Befeuern. Sie können sich verletzen und Ihrem Gerät schaden.

Es ist wichtig, immer reines, trockenes Holz zu verwenden; maximaler Feuchtigkeitsgehalt 20%; minimaler Feuchtigkeitsgehalt 16%. Feuchtes Holz braucht viel Luft - also extra Energie und Wärme - zur Verbrennung; der Wärmeeffekt ist stark verringert; es verrußt den Schornstein und es kann sogar zum Schornsteinbrand kommen.

Schließen Sie bei einem Schornsteinbrand die Tür sowie die Luftzufuhr für Kaminofen bzw. Einsatz. Rufen Sie die Feuerwehr. Nach einem Schornsteinbrand muss der Schornstein in jedem Fall von einem zugelassenen Schornsteinfeger inspiziert werden, bevor das Produkt wieder verwendet werden darf.

Aufbewahrung des Holzes

Um trockenes Holz zu garantieren, soll der Baum im Winter gefällt werden und im Sommer zum Trocknen geschnitten, unter einem Dach, bei guter Ventilation aufbewahrt werden. Das Holz soll nicht mit einer Plastikplane abgedeckt sein, die bis zum Boden reicht, da dies wie eine Isolierung wirkt und das Holz nicht trocknen läßt. Lagern Sie immer ein paar Tage vor der Benutzung kleinere Mengen von Holz drinnen, damit die Feuchtigkeit an der Oberfläche des Holzes verdampfen kann.

Befeuern

Wenn zu wenig Verbrennungsluft zugeführt wird, kann das Glas verrußen. Deshalb ist es wichtig, gleich nach dem Beladen Luft zuzuführen; das schafft kräftige Flammen in der Brennkammer und es verbrennen auch die Gase. Öffnen Sie das Sekundärluftventil / Regler für die Verbrennungsluft und lehnen Sie die Feuerraumtür nur leicht an, so daß die Flammen gut greifen können. Beachten Sie, daß eine zu hohe Luftzufuhr bei geschlossener Feuerraumtür Ihr Gerät auf extreme Temperaturen aufheizen kann und ein unkontrollierbares Feuer hervorruft. Deshalb sollen Sie nie die Brennkammer ganz mit Holz anfüllen. Das Ziel ist ein gleichmäßiges Feuer bei geringer Holzmenge. Wenn Sie zu viele Holzscheite in die Glut legen, kann die zugeführte Luft nicht genügend erwärmt werden und die Gase entweichen unverbrannt durch den Schornstein.

Ihr Nordpeis-Gerät ist nur für Verbrennung von Schnittholz konstruiert und zugelassen. Überhitzen Sie niemals Ihr Gerät; es können irreparable Schäden verursacht werden, die von der Garantie nicht gedeckt werden.

Achtung! Es ist verboten, imprägniertes oder lackiertes Holz, Plastik, Furnier, Spanplatten, Milchkartons und jede Art von Abfall in Ihrem Gerät zu verbrennen. Diese Materialien entfachen bei der Verbrennung giftige, ätzende Gase wie Dioxin, die Ihnen, der Umwelt und Ihrem Gerät schaden.

Überhitzen Sie niemals Ihr Gerät; es können irreparable Schäden verursacht werden, die von der Garantie nicht gedeckt werden.

10. Grundsätzliche Anforderungen

Für die Installation der gesamten Feuerungsanlage sind alle örtlichen Gesetze, Baubestimmungen und Verordnungen zu beachten. Insbesondere sind die folgenden Normen und Gesetze einzuhalten:

- 1) TR.OL : Technische Regeln für das Ofen und Luftheizungsbauhandwerk
- 2) DIN 18896: Feuerstätten für feste Brennstoffe - Technische Regeln für die Installation
- 3) FeuVO: Feuerungsverordnung der einzelnen Bundesländer
- 4) LBO: Landesbauordnung der einzelnen Bundesländer
- 5) EnEV: Energieeinsparverordnung
- 6) 1. BImSchV : 1. Bundesimmissionsschutzverordnung: Verordnung über kleine und mittlere Feuerungsanlagen

Verbrennungsluft

Wenn Kamineinsätze raumluftabhängige Feuerstätten sind, die Ihre Verbrennungsluft aus dem Aufstellraum entnehmen, muss der Betreiber für ausreichende Verbrennungsluft sorgen. Bei abgedichteten Fenstern und Türen (z. B. in Verbindung mit Energiesparmaßnahmen) kann es sein, dass die Frischluftzufuhr nicht mehr gewährleistet ist, wodurch das Zugverhalten des Kamineinsatzes beeinträchtigt werden kann. Dies kann Ihr Wohlbefinden und unter Umständen Ihre Sicherheit beeinträchtigen. Ggf. muss für eine zusätzliche Frischluftzufuhr, z. B. durch den Einbau einer Luftklappe in der Nähe des Kamineinsatzes oder Verlegung einer Verbrennungsluftleitung nach außen oder in einen gut belüfteten Raum (ausgenommen Heizungskeller), gesorgt werden. Insbesondere muss sichergestellt bleiben, dass Verbrennungsluftleitungen während des Betriebes der Feuerstätte offen sind. Dunstabzugshauben, die zusammen mit Feuerstätten im selben Raum oder Raumlufverbund installiert sind, können die Funktion des Ofens negativ beeinträchtigen (bis hin zum Rauchaustritt in den Wohnraum, trotz geschlossener Feuerraumtür) und dürfen somit keinesfalls gleichzeitig mit dem Ofen betrieben werden.

Verbrennungsluftleitungen

Für die brandschutztechnischen Anforderungen an die Verbrennungsluftleitungen sind die Vorschriften der jeweiligen Landesbauordnung maßgebend. Verbrennungsluftleitungen in Gebäuden mit mehr als 2 Vollgeschossen und Verbrennungsluftleitungen, die Brandwände überbrücken, sind so herzustellen, daß Feuer und Rauch nicht in andere Geschosse oder Brandabschnitte übertragen werden können.

Absperrung für die Verbrennungsluftleitung

Die Verbrennungsluftleitung muß unmittelbar an der Feuerstätte eine Absperrvorrichtung haben, die Stellung des Absperrventils muß erkennbar sein. Befinden sich andere Feuerstätten in den Aufstellräumen oder in Räumen, die mit Aufstellräumen

in Verbindung stehen, müssen besondere Sicherheitseinrichtungen die vollständige Offenstellung der Absperrvorrichtung sicherstellen, solange die Absperrvorrichtung nach Abschnitt B oder die Feuerraumöffnung durch Feuerraumtüren, Jalousien oder dergleichen Bauteile nicht vollständig geschlossen ist.

Die Feuerstätten dürfen nicht aufgestellt werden:

- in Treppenträumen, außer in Wohngebäuden mit nicht mehr als zwei Wohnungen,
- in allgemein zugänglichen Fluren oder
- in Räumen, in denen leicht entzündliche oder explosionsfähige Stoffe oder Gemische in solcher Menge verarbeitet, gelagert oder hergestellt werden, daß durch die Entzündung oder Explosion Gefahren entstehen.

Der Betrieb von der Feuerstätte wird nicht gefährdet, wenn

- die Anlagen nur Luft innerhalb eines Raumes umwälzen,
- die Anlagen Sicherheitseinrichtungen haben, die Unterdruck im Aufstellraum selbsttätig und zuverlässig verhindern oder
- wenn kein größerer Unterdruck als 4 Pa durch raumluftabsaugende Ventilatoren (Lüftungsanlagen, Dunstabzugshauben etc.) im Aufstellraum der Feuerstätte entstehen kann.

Betrieb mehrerer Feuerstätten

Beim Betrieb mehrerer Feuerstätten in einem Aufstellraum oder in einem Luftverbund ist für ausreichend Verbrennungsluftzufuhr zu sorgen.

Anforderungen im Hinblick auf den Schutz des Gebäudes

Von der Feuerraumöffnung bzw. - sofern fest eingebaut

- von der raumseitigen Vorderkante des Feuerbocks nach vorn und nach den Seiten gemessen, müssen Fußböden aus brennbaren Baustoffen bis zu folgen den Abständen durch einen ausreichenden dicken Belag aus nichtbrennbaren Baustoffen geschützt, sein:
- nach vorn entsprechend der Höhe des Feuerraumbodens bzw. des Feuerbocks über dem Fußboden zuzüglich 30 cm, jedoch mindestens 50 cm,
- nach den Seiten entsprechend der Höhe des Feuerraumbodens bzw. des Feuerbocks über dem Fußboden zuzüglich 20 cm, jedoch mindestens 30 cm.

Bauteile aus brennbaren Baustoffen oder brennbaren Bestandteilen und Einbaumöbeln außerhalb des Strahlungsbereiches der Feuerstätte.

Von den Außenflächen der Verkleidung der Feuerstätte müssen mindestens 5 cm Abstand zu Bauteilen aus brennbaren Baustoffen oder brennbaren Bestandteilen und zu Einbaumöbeln eingehalten werden. Der Zwischenraum muß der Luftströmung so

offen stehen, daß Wärmestau nicht entstehen kann. Bauteile, die nur kleine Flächen der Verkleidung der Feuerstätte verdecken wie Fußböden, stumpf angestoßene Wandverkleidungen und Dämmschichten auf Decken und Wänden, dürfen ohne Abstand an die Verkleidung herangeführt werden. Breitere streifenförmige Bauteile aus brennbaren Baustoffen wie Zierbalken sind vor der Verkleidung der Feuerstätte im Abstand von 1 cm zulässig, wenn die Bauteile nicht Bestandteil des Gebäudes sind und die Zwischenräume der Luftströmung so offen stehen, daß Wärmestau nicht entstehen kann.

Die Feuerstätten sind so aufzustellen, daß sich seitlich der Austrittsstellen für die Warmluft innerhalb eines Abstandes von 50 cm bis zu einer Höhe von 50 cm über den Austrittsstellen keine Bauteile mit brennbaren Baustoffen, keine derartigen Verkleidungen und keine Einbaumöbel befinden.

Tragende Bauteile aus Beton oder Stahlbeton

Die Feuerstätten sind so aufzustellen, daß sich seitlich der Austrittsstellen für die Warmluft innerhalb eines Abstandes von 50 cm bis zu einer Höhe von 50 cm über den Austrittsstellen keine tragenden Bauteile aus Beton oder Stahlbeton befinden.

Verbindungsstück

Der Stutzen für das Verbindungsstück befindet sich in der Decke des Heizeinsatzes. Der Anschluß an den Schornstein erfolgt mit einem 90°- oder 45°-Bogen, wobei der 45°-Anschluß wegen des geringeren Strömungswiderstandes zu bevorzugen ist. Der Anschluß an den Schornstein sollte mit einem eingemauerten Wandfutter erfolgen.

Mehrfachbelegung von Schornsteinen

Bei Kamineinsätzen mit selbstschließenden Feuerraumtüren ist ein Anschluss an einen bereits mit anderen Öfen und Herden belegten Schornstein möglich, sofern die Schornsteinbemessung gem. DIN EN 13384-1 bzw. DIN EN 13384-2, dem nicht widerspricht.

Kamineinsätze mit selbstschließenden Feuerraumtüren müssen – außer beim Anzünden, beim Nachfüllen von Brennstoff und der Entaschung – unbedingt mit geschlossenem Feuerraum betrieben werden, da es sonst zur Gefährdung anderer, ebenfalls an den Schornstein angeschlossener Feuerstätten und zu einem Austritt von Heizgasen kommen kann. Kamineinsätze ohne selbstschließende Sichtfenstertüren müssen an einen eigenen Schornstein angeschlossen werden. Für die Schornsteinberechnung ist DIN EN 13384-1 bzw. DIN EN 13384-2 anzuwenden.

Anheizen

Es ist unvermeidlich, dass beim ersten Anheizen durch Austrocknen von Schutzfarbe eine Geruchsbelästigung entsteht, die nach kurzer Betriebsdauer beendet ist. Während des Anheizens sollte der Aufstellraum gut belüftet werden.

Ein schnelles Durchlaufen der Anheizphase ist wichtig, da bei Bedienungsfehlern höhere Emissionswerte auftreten können. Sobald das Anzündmaterial gut angebrannt ist, wird weiterer Brennstoff aufgelegt. Verwenden Sie zum Anzünden nie Spiritus, Benzin oder andere brennbare Flüssigkeiten. Das Anfeuern sollte immer mit etwas Papier, Kleinholz und in kleinerer Menge Brennstoff erfolgen. In der Anheizphase führen Sie dem Ofen sowohl Primär- als auch Sekundärluft zu. Anschließend wird die Primärluft geschlossen und der Abbrand über die Sekundärluft gesteuert. Lassen Sie den Ofen während dieser Anbrennphase nicht unbeaufsichtigt.

Zulässige Brennstoffe

Es darf nur lufttrockenes Scheitholz verwendet werden. Die Verfeuerung von Abfällen und insbesondere Kunststoff ist laut Bundesimmissionsschutzgesetz verboten. Darüber hinaus schadet dies der Feuerstätte und dem Schornstein. Lufttrockenes Scheitholz mit maximal 20 % Wasser wird durch eine mindestens einjährige (Weichholz) bzw. zweijährige Trockenzeit (Hartholz) erreicht. Holz ist kein Dauerbrand-Brennstoff, so dass ein Durchheizen der Feuerstätte mit Holz über Nacht nicht möglich ist.

Heizen in der Übergangszeit

In der Übergangszeit, d. h. bei höheren Außentemperaturen, kann es bei plötzlichem Temperaturanstieg zu Störungen des Schornsteinzuges kommen, so daß die Heizgase nicht vollständig abgezogen werden. Die Feuerstätte ist dann mit geringeren Brennstoffmengen zu befüllen und bei größerer Stellung des Primärluftschiebers/-reglers so zu betreiben, daß der vorhandene Brennstoff schneller (mit Flammentwicklung) abbrennt und dadurch der Schornsteinzug stabilisiert wird. Zur Vermeidung von Widerständen im Glutbett sollte die Asche öfter vorsichtig abgeschürt werden.

Reinigen der Feuerstätte

Die Feuerstätten müssen so beschaffen und aufgestellt sein, daß Raumluftleitungen leicht gereinigt werden können, die Abstandsflächen zu Decken, Wänden und Einbaumöbeln leicht eingesehen und freigehalten werden können und die Reinigung der Verbindungsstücke und Schornsteine nicht erschwert wird. Der Kamineinsatz, Rauchgaswege und Rauchrohre sollten jährlich – evtl. auch öfter, z. B. nach der Reinigung des Schornsteines – nach Ablagerungen untersucht und ggf. gereinigt werden. Der Schornstein muss ebenfalls regelmäßig durch den Schornsteinfeger gereinigt werden. Über die notwendigen Intervalle gibt Ihr zuständiger Schornsteinfegermeister Auskunft. Der Kamineinsatz sollte jährlich durch einen Fachmann überprüft werden.

Ersatzteile

Es dürfen nur Ersatzteile verwendet werden, die vom Hersteller ausdrücklich zugelassen bzw. angeboten werden. Bitte wenden Sie sich bei Bedarf an Ihren Fachhändler. Die Feuerstätte darf nicht verändert werden!

Verhalten bei Schornsteinbrand

Wird falscher oder zu feuchter Brennstoff verwendet, kann es aufgrund von Ablagerungen im Schornstein zu einem Schornsteinbrand kommen. Verschließen Sie sofort alle Luftöffnungen am Ofen und informieren Sie die Feuerwehr. Nach dem Ausbrennen des Schornsteines diesen vom Fachmann auf Risse bzw. Undichtigkeiten überprüfen lassen.

Hinweise bei Verbrennungsproblemen

Fehler	Erläuterung	Lösung
Kein Zug	Der Schornstein ist blockiert.	Kontaktieren Sie einen Schornsteinfeger/Händler für weitere Informationen oder reinigen Sie Rauchgasrohr, Rauchumlenkblech und Brennkammer.
	Rauchgasrohr oder Rauchumlenkblech sind verrußt.	
	Das Rauchumlenkblech ist nicht korrekt positioniert.	Überprüfen Sie die Rauchumlenkblechmontage, siehe Montageanleitung.
Der Einsatz raucht beim Befeuern und während der Verbrennung.	Da kein Zug vorhanden ist, herrscht ein Abwärtszug im Raum. Das Haus ist zu luftdicht.	Entzünden Sie das Feuer bei geöffnetem Fenster. Wenn dies hilft, müssen mehr/größere Abzüge im Raum installiert werden.
	Es besteht ein Abwärtszug im Raum, der von einem Abzug und/oder einem zentralen Lüftungssystem verursacht wird. Dadurch wird dem Raum zu viel Luft entzogen.	Schalten Sie den Abzug aus/regulieren Sie ihn und/oder die Lüftung. Wenn dies hilft, müssen mehr Abzüge im Raum installiert werden.
	Die Rauchgasrohre von zwei Kaminen/Kaminöfen sind auf gleicher Höhe an denselben Schornstein angeschlossen.	Ein Rauchgasrohr muss neu positioniert werden. Der Höhenunterschied zwischen den beiden Rauchgasrohren muss mindestens 30 cm betragen.
	Das Rauchgasrohr ist fallend vom Rauchgassammler zum Schornstein positioniert.	Das Rauchgasrohr muss so positioniert werden, dass zwischen Rauchgassammler und Schornstein eine Neigung von mind. 10° besteht. Installieren Sie nach Möglichkeit ein Rauchabzugsgerät*.
	Das Rauchgasrohr reicht zu weit in den Schornstein.	Das Rauchgasrohr muss erneut angeschlossen werden. Es darf nicht so tief in den Schornstein reichen und muss 5 mm vor der inneren Schornsteinwand enden. Installieren Sie nach Möglichkeit ein Rauchabzugsgerät*.
	Die Rußklappe im Unter- oder Dachgeschoss ist offen und erzeugt einen falschen Zug.	Die Rußklappen müssen stets geschlossen sein. Klappen, die nicht dicht oder defekt sind, müssen ausgetauscht werden.
	Nicht verwendete Dämpfer/obere Abzüge oder Kamin Türen sind offen und erzeugen einen falschen Zug.	Schließen Sie die nicht verwendeten Dämpfer, Türen und oberen Abzüge.
	Im Schornstein liegt nach dem Entfernen eines Kaminofens eine Öffnung vor und erzeugt einen falschen Zug.	Öffnungen müssen komplett zugemauert und somit abgedichtet werden.
	Das Mauerwerk im Schornstein ist defekt, d.h. es liegt keine Luftdichtheit um den Rauchgasrohreingang vor und/oder die Abtrennung im Schornstein ist defekt und erzeugt einen falschen Zug.	Abdichtung und Putz sind rissig und Bereiche sind nicht dicht.
	Der Schornsteinquerschnitt ist zu groß und erzeugt keinen oder einen zu geringen Zug.	Der Schornstein ist zu reparieren. Installieren Sie nach Möglichkeit ein Rauchabzugsgerät*.
	Der Schornsteinquerschnitt ist zu klein und der Rauch kann nicht komplett aus dem Schornstein entweichen.	Wechseln Sie zu einem kleineren Kamin oder errichten Sie einen neuen Schornstein mit einem größeren Querschnitt. Installieren Sie nach Möglichkeit ein Rauchabzugsgerät*.
	Der Schornstein ist zu niedrig und weist dementsprechend einen geringen Zug auf.	Verlängern Sie den Schornstein in der Höhe und/oder installieren Sie einen Schornsteinaufsatz/ein Rauchabzugsgerät*.
Bei Wind gelangt Rauch über den Kamin ins Innere.	Der Schornstein ist im Verhältnis zur Umgebung, Gebäuden, Bäumen usw. zu niedrig.	Verlängern Sie den Schornstein in der Höhe und/oder installieren Sie einen Schornsteinaufsatz/ein Rauchabzugsgerät*.
	Aufgrund des zu flachen Dachs entstehen um den Schornstein Turbulenzen.	Verlängern Sie den Schornstein in der Höhe und/oder installieren Sie einen Schornsteinaufsatz/ein Rauchabzugsgerät*.
Der Kamin heizt nicht ausreichend.	Aufgrund einer Undichtigkeit unter der unteren Einsatzgrenze oder eines zu starken Schornsteinzugs wird der Verbrennung im Kamin zu viel Sauerstoff zugeführt. Die Verbrennung lässt sich schwer regeln und das Holz verbrennt zu schnell.	Jede mögliche Undichtigkeit ist abzudichten. Ein Zugregler oder sofern möglich ein Dämpfer können den Schornsteinzug reduzieren. Hinweis! Eine Undichtigkeit von 5 cm² reicht aus, dass 30% der erhitzten Luft verschwinden.
Zu viel Zug	Die Position des Rauchgassammlers ist nicht korrekt.	Überprüfen Sie die Rauchgassammlerposition, siehe Montageanleitung.
	Bei Verwendung von ofengetrocknetem Holz ist eine geringere Luftzufuhr als bei herkömmlichem Holz erforderlich.	Regeln Sie die Luftzufuhr herunter.
	Die Dichtungen um die Tür sind verschlissen und flach	Ersetzen Sie die Dichtungen, kontaktieren Sie den Händler.
	Der Schornstein ist zu groß.	Kontaktieren Sie für weitere Einzelheiten Ihren Schornsteinfeger oder anderes Fachpersonal.
Das Glas ist verrußt.	Das Holz ist zu feucht.	Verwenden Sie nur trockenes Holz mit einem max. Feuchtigkeitsgehalt von 20%.
	Der Luftregler ist zu stark geschlossen.	Öffnen Sie den Luftregler, um der Verbrennung Luft zuzuführen. Sind die neuen Holzscheite eingelegt, müssen alle Luftregler vollständig geöffnet bzw. die Tür ein wenig geöffnet werden, bis das Holz ausreichend entflammt ist.
Weißes Glas	Schlechte Verbrennung (zu niedrige Temperatur).	Befolgen Sie für eine korrekte Verbrennung die Richtlinien dieses Benutzerhandbuchs.
	Falsches Verbrennungsmaterial (z.B.: lackiertes oder imprägniertes Holz, Schichtstoffplatten aus Kunststoff, Sperrholz usw.).	Verwenden Sie ausschließlich sauberes und trockenes Holz.

Beim Öffnen der Tür tritt Rauch aus.	Eine Druckabflachung in der Brennkammer tritt auf.	Öffnen Sie den Luftregler für ca. 1 min, bevor Sie die Tür öffnen. Öffnen Sie die Tür nicht zu schnell.
	Die Tür wird geöffnet, obwohl noch Flammen in der Brennkammer zu sehen sind.	Öffnen Sie die Tür vorsichtig und/oder nur bei heißer Glut (keine Flamme mehr sichtbar)
Weißer Rauch	Die Verbrennungstemperatur ist zu niedrig.	Erhöhen Sie die Luftzufuhr.
	Das Holz ist feucht und enthält Wasserdampf.	Verwenden Sie ausschließlich sauberes und trockenes Holz.
Schwarzer oder grau-schwarzer Rauch	Die Verbrennung ist unzureichend.	Erhöhen Sie die Luftzufuhr.

CONSIGNES DE SÉCURITÉ IMPORTANTES: INDEX

1. Veuillez suivre les instructions d'utilisation du manuel lorsque vous raccordez votre poêle/foyer à la cheminée/au conduit. Si le raccordement se fait différemment des instructions, veuillez tenir compte du rayonnement thermique du conduit de fumée par rapport aux matériaux environnants.
2. Avant toute utilisation, veuillez lire attentivement le mode d'emploi et suivre les instructions.
3. Les ouvertures de convection intégrées ou désignées ne doivent jamais être totalement ou partiellement obstruées. Cela peut conduire à une surchauffe, ce qui peut à son tour provoquer un incendie dans la maison ou des dommages graves au produit.
4. Utiliser uniquement des allume-feux prévus à cet effet. **Ne jamais utiliser d'essence, de diesel ou d'autres liquides pour démarrer le feu. Cela peut provoquer des explosions !**
5. N'utilisez jamais d'autres combustibles que le bois naturel sec, sous forme de bûches. Les briquettes, la tourbe, le charbon et les déchets des matériaux de construction développent des températures et des émissions beaucoup plus élevées que le bois naturel. Étant donné que votre produit a été conçu pour être utilisé uniquement avec du bois naturel, d'autres carburants peuvent endommager le produit, la cheminée et les constructions environnantes.
6. En cas de dommages de la vitre ou du joint d'étanchéité de la porte, toute utilisation du produit doit être interrompue jusqu'à ce que le dommage soit réparé

Le non-respect de ces précautions entraînera la perte de votre garantie et exposera les personnes et les biens à un danger.

Conseil : Même si cela n'est pas exigé dans votre pays, il est toujours conseillé de s'adresser à un installateur de poêle/de foyer agréé pour le montage, ou au moins pour l'inspection finale avant utilisation.

1. Information générale	22
Poids	22
Raccordement de la cheminée	22
Plaque de sol	22
Colle acrylique	22
Dégâts minimes	22
Fissures Minces	22
Peinture	22
2. Avant d'installer un nouveau foyer	22
Le tirage de cheminée	22
L'apport d'air	23
Plaque de sol	23
Cotes et dimensions	23
3. Informations techniques	23
4. Distance à matières combustibles	23
5. Assemblage	23
Assemblage d'un pied support	23
Réglage initial de la cale	24
Instructions d'assemblage de l'habillage	24
Kit d'arrivée d'air frais	24
Contrôle de fonctionnement	25
6. Allumer le feu pour la première fois	25
7. Entretien	25
Nettoyage et inspection	25
Cendres	25
Thermotte™ Plaques	26
Porte et verre	26
Recyclage du verre réfractaire	26
8. Garantie	26
9. Conseils pour allumer un feu	26
Conseils en cas de problèmes de combustion	28

1. Information générale

Poids

Le propriétaire du domicile doit s'assurer que la dalle comme le type de plancher peuvent supporter le poids de l'appareil et sa cheminée. Lorsque le produit est installé sur un plancher flottant, les planches en dessous de la cheminée doivent être retirées, afin de prévenir tout risque d'effondrement futur.

Raccordement de la cheminée

Monter préalablement à sec l'habillage et le foyer, pour trouver les dimensions exactes des sorties de fumées et connexion du kit d'arrivée d'air, avant de perforez pour le raccordement de conduit de fumée. Utilisez un niveau à bulle pour s'assurer que l'habillage est monté droit. Le foyer se dilate pendant l'utilisation, c'est pourquoi l'habillage ne doit jamais s'appuyer sur le foyer. Gardez une distance d'au moins 2-3 mm. le foyer ne doit pas non plus s'appuyer sur l'habillage. suivre les préconisations du fabricant de tuyaux d'évacuation des fumées pour le montage du conduit.

Plaque de sol

Une plaque de sol ignifugé doit être mis devant la cheminée si le sol est d'une matière combustible.

Colle acrylique

Coller les éléments avec la colle acrylique fournie. Dépoussiérer préalablement les surfaces à encoller. Une fois que la cheminée est assemblée, remplir les joints avec de l'enduit acrylique et uniformisez l'enduit avec une éponge ou le bout de votre doigt légèrement humidifié à l'eau et au savon, pour avoir une empreinte claire entre les éléments (FIG Z).

Dégâts minimes

La cheminée peut subir des dommages mineurs lors du transport et de la manutention. Ceux-ci peuvent être réparés avec du mastic acrylique/léger. Pour des résultats parfaits, vous pouvez remplir et poncer les irrégularités avec un mastic de remplissage approprié. Des dommages mineurs et des surfaces inégales peuvent être mastiqués. Si le dommage est profond ou dans le cas de dommages importants, il est recommandé de remplir à plusieurs reprises avec du ciment-colle ou du mastic à base de ciment pour éviter l'affaissement du joint. Lissez la surface avec par exemple une éponge humide ou une taloche.

Fissures

Le matériau de construction autour de la cheminée peut se déplacer. Dans les maisons neuves, en particulier, il est fréquent que les matériaux de construction se tassent, essentiellement dans les premières années. En outre, tous les éléments en béton rétrécissent de manière dégressive durant 15 mois au maximum.

De petites fissures peuvent par conséquent apparaître dans le béton/la maçonnerie.

Utilisez la cheminée pendant quelques mois. Si des fissures apparaissent, les gratter avec un tournevis ou similaire (afin de laisser plus d'espace pour le mastic acrylique). Passez l'aspirateur sur les surfaces pour enlever la poussière.

Injectez le mastic acrylique et lissez avec une spatule ou avec un doigt mouillé avec de l'eau savonneuse. Le joint peut être peint au bout de quelques jours.

Peinture

Lorsque la cheminée a été mastiquée/poncée et que les joints de colle sont secs, celle-ci peut être peinte. Utilisez seulement une peinture perméable à l'air (acrylique) pour maçonnerie.

Pour votre sécurité, observez les instructions de montage. Toutes les distances de sécurité sont des distances minimales. L'installation de l'insert doit être conforme aux règles et règlements actuels du pays où le produit est installé. Nordpeis AS n'est pas responsable du montage défectueux d'un foyer.

Nordpeis se réserve le droit de modifier sans préavis les caractéristiques techniques et dimensionnelles de ses produits.

2. Avant d'installer un nouveau foyer

Tous nos produits sont évalués selon les dernières exigences européennes ainsi que les normes norvégiennes NS 3058 et NS 3059, qui inclut des essais de particules. Plusieurs pays européens ont cependant des règles individuelles d'installation des produits, et des cheminées.

Vous êtes un client totalement responsable de l'exécution de ces règles locales concernant l'installation dans votre région / pays. Nordpeis n'est pas responsable quant à l'installation. Vous devez vérifier la conformité des règlements locaux concernant (S'il vous plaît noter que cette liste n'est pas exhaustive):

- la distance du poêle aux matériaux inflammables
- des matériaux / exigences d'isolation entre le poêle et le mur d'adossement
- les dimensions des plaques de sol devant le poêle si exigé
- la connexion avec le conduit de fumée et la sortie des fumées entre le produit et la cheminée
- des exigences d'isolation si le conduit de fumée traverse un mur inflammable.

Le tirage de cheminée

Comparés avec des modèles plus anciens, les produits à combustion propre d'aujourd'hui ont plus d'exigence sur le conduit d'évacuation des fumées. Même le meilleur produit ne fonctionnera pas correctement si le conduit n'a pas les dimensions justes ou n'est pas en bon état de fonctionnement. Le tirage est principalement contrôlé par la température des gaz, température extérieure, l'apport d'air, la hauteur et la section intérieur

du conduit. Le diamètre ne doit jamais être inférieur à celui de la sortie du poêle. À la valeur nominale, le tirage devrait avoir une pression de 14 à 25 Pascals. Le contrôle de pression est indispensable au bon fonctionnement de tout appareil à bois étanche.

Le tirage augmente quand:

- La cheminée devient plus chaude que l'air extérieur
- La longueur active de la cheminée augmente (au-dessus du poêle)
- Il y a un bon apport d'air à la combustion

Il peut être difficile d'obtenir les conditions justes de tirage dans le cas où la cheminée serait trop haute ou large, car le feu ne chauffera pas assez bien. N'hésitez pas à contacter un professionnel afin de réaliser un contrôle du tirage de votre conduit. Grâce à un outillage adapté, il pourra réaliser une mesure précise.

Le produit est testé et doit être raccordé à une cheminée qui est correctement dimensionnée pour la température des gaz de fumée indiqué dans la déclaration CE. Contactez un professionnel.

L'apport d'air

Un ensemble de dispositifs destinés à assurer le renouvellement de l'air est disponible en accessoire et assurera que des systèmes de ventilation, les hottes de cuisine et d'autres facteurs qui peuvent créer une dépression dans la pièce du poêle, affectent moins de l'apport d'air de combustion pour le produit.

L'apport d'air insuffisant peut causer une sous-pression et entraver le bon fonctionnement du produit ainsi que l'efficacité de la combustion et être la base des problèmes tels que: Le poêle et la vitre s'encrassent, le bois ne prend pas feu ou s'allume mal.

Avertissement !

Ne pas obstruer les prises d'air comburant. Si les exigences concernant ventilation ne sont PAS respectées, le produit peut surchauffer. Cela peut provoquer un incendie.

Avertissement !

Des hottes aspirantes, fonctionnant dans la même pièce ou le même espace que l'appareil peuvent engendrer des problèmes.

Plaque de sol

Une plaque de sol ignifugé doit être mis devant la cheminée si le sol est d'une matière combustible. La dimension de la plaque de sol doit être conforme aux règles en vigueur dans le pays.

Cotes et dimensions

L'illustration montre la distance approximative entre le sol et le centre du trou pour la connexion avec le conduit de fumée. Les imprécisions dans les montages des sols et murs peuvent influencer la hauteur. Il est vivement conseillé de monter préalablement le produit à sec afin de valider et tracer les hauteurs et le posi-

onnement précis de la connexion de la cheminée et le conduit de fumée.

3. Informations Techniques

Les foyers de Nordpeis ont la combustion secondaire et sont non polluants. La combustion se produit en deux phases: d'abord le bois brûle, et puis les gaz de fumées sont allumés par l'air chaud. Cela signifie que les émissions de particules de suie et de gaz non brûlés (par exemple CO) sont minimales et protègent ainsi mieux l'environnement. Les foyers avec combustion propre utilisent l'énergie du bois de manière plus efficace. De là, avec moins de bois le même effet de chaleur est réalisé. Alimenter le feu uniquement avec du bois propre et sec.

Habillage	Lisboa
Foyer	S-18U
Matériau du foyer	Acier
Finition porte/Cadre	Vernis haute température
Combustible	Bois, 30 cm
Puissance	4 kW
Rendement énergétique	82%
CO % @ 13% O₂	0,07
Système d'entrée d'air	Commande de l'entrée d'air
Système de combustion	Combustion secondaire (combustion propre)
Sortie des fumées	Haut et arrière
Sortie des fumées Ø	Intérieur Ø 150 mm
Poids	209 kg
Température de fumée	262 °C
Consommation d'air (m³ / h)	9-13
Taille nominale de charge	1,3 kg
Intervalle des charges	50 min
Ouverture de la commande de l'entrée d'air	33%
Fonctionnement	Intermittent*

*La combustion intermittente se réfère à une utilisation normale d'un poêle ou d'un foyer, c'est-à-dire que l'on insère à nouveau du bois lorsque la charge précédente est devenue braise.

Attention : Si les conditions d'aération ne sont PAS respectées, la puissance de la circulation d'air chaud sera considérablement réduite et cela peut engendrer une surchauffe. Au pire, cela peut occasionner un incendie.

4. Distance à matières combustibles

Prenez soin de respecter les distances de sécurité indiquées (FIG 1).

Pour raccorder le conduit de fumée métallique vers le haut, nous vous renvoyons aux indications d'installation du produit. Respectez les distances de sécurité exigées pour le conduit de fumée métallique.

5. Assemblage

Assemblage d'un pied support - FIG5

L'insert est livré avec deux pieds avant assemblés. Avant de débiter l'assemblage de l'habillage, vous devez assembler le pied support avec l'insert - voir FIG 5. Le pied support est plus long que les pieds avant. Il est recommandé de placer sous les pieds avant un bloc en bois de 70 mm p. ex., afin de maintenir le pied support en position verticale.

Réglage initial de la cale - FIG6

L'insert dispose d'une cale permettant de le maintenir en position d'utilisation une fois assemblé. Avant de procéder à l'assemblage, vérifiez la cale. Sur FIG 6, une vis de la cale est présentée en position correcte.

Raccordement par l'arrière - FIG8 - FIG10

L'insert est livré avec un raccord de cheminée placé sur le haut de l'insert. Pour utiliser le raccord de cheminée par l'arrière, suivez les étapes présentées sur les illustrations FIG 8 à 10.

Instructions d'assemblage de l'habillage (FIG11-26) FIG 11

Nettoyez l'endroit où le poêle sera installé. En cas d'utilisation d'une alimentation d'air par l'arrière, placez le cache sur l'ouverture du fond dans l'élément de base - voir FIG 11A.

FIG 12

Installez la pièce de base contre le mur. Respectez la distance de sécurité « X » conformément à FIG 2. Utilisez le niveau pour vérifier que la plaque de base repose bien à l'horizontale. Il peut être également judicieux de vérifier la rectitude du mur sur toute la hauteur de l'appareil pour éviter tout problème lors des étapes d'assemblage ultérieures.

FIG 13-14

Si une utilisation du raccord de cheminée par l'arrière est prévue pour le produit, préparez le prochain élément avant de procéder à l'assemblage. Utilisez des outils pour découper une ouverture pour le raccord de cheminée dans le fond, le long de la rainure préconçue. Utilisez de la colle acrylique pour fixer un anneau en béton à l'arrière de l'élément afin d'assurer l'étanchéité du raccord de cheminée. Pour le positionnement de l'anneau, voir également FIG 16.

Attention ! Assurez-vous de retirer la découpe dans l'écran thermique, voir également FIG 8.

FIG 15-17

Positionnez l'élément. Assurez-vous que la surface est exempte de poussière et de résidus de béton. Appliquez de la colle acrylique entre l'élément et la base en béton.

FIG 18-19

Assemblez les connecteurs en métal. Veillez à placer la bonne extrémité du connecteur sur la base. Fixez les deux connecteurs à l'élément en béton à l'aide de vis avec rondelles.

FIG 20-20a

Préparez l'insert - vérifiez la hauteur des pieds ainsi que la position des vis de la cale.

FIG 21

Positionnez l'insert dans son logement. Vérifiez que l'insert est de niveau avec les deux côtés des éléments de fond.

FIG 22

Positionnez l'élément. Assurez-vous que la surface est exempte de poussière et de résidus de béton. Fixez les deux connecteurs à l'élément en béton à l'aide de vis avec rondelles.

FIG 23

Vérifier la position de l'insert et les distances par rapport aux pièces d'habillage. Assurez-vous que l'insert est de niveau avec les deux côtés ainsi qu'avec l'avant des éléments de fond et de dessus. Une fois que la position est définitive, fixez les vis des connecteurs en métal aux éléments en béton.

FIG 24

Serrez les vis de la cale afin de maintenir l'insert dans une position adaptée à l'habillage.

FIG 25

Positionnez la grille à sa place. Retirez le couvercle interne de la grille lorsque l'appareil est sur le point d'être connecté au raccord de cheminée supérieur.

FIG 26

Une fois que la cheminée est assemblée, remplissez les joints avec de la colle acrylique et égalisez avec une éponge ou un doigt et un peu d'eau savonneuse afin d'avoir une démarcation nette entre les éléments (FIG Z).

Kit d'arrivée d'air frais (accessoire)

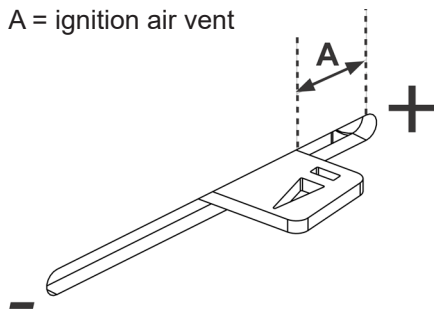
Remarque ! Si la cheminée est raccordée à un kit d'arrivée d'air frais, alors les éléments d'habillage doivent être préparés avant de débiter l'assemblage de l'habillage. L'arrivée d'air frais peut être raccordée via le fond ou l'arrière de la plaque de base. Voir FIG 5 et 6 et FIG Lisboa Air.

Contrôle de fonctionnement Contrôle du conduit d'air d'allumage

En tant que pièce intégrée du contrôle du conduit d'air, l'insert S-18U dispose d'un contrôle du conduit d'air d'allumage. En poussant complètement la tige du contrôle du conduit d'air (ouverture max.), vous activez le contrôle du conduit d'air d'allumage. Voir également FIG 4.

Attention ! Après l'allumage, remettez le contrôle en position normale.

A = ignition air vent



Commande d'apport d'air (FIG 4b)

Avant	Fermé
Arrière	Ouvert

Retrait du mécanisme de fermeture automatique

Le mécanisme de fermeture automatique de la porte est raccordé au poêle par le coin inférieur gauche.

Décrochez délicatement le ressort A et enlevez la petite vis tenant le bras B à l'aide d'une clé six pans 5 mm. Le mécanisme de fermeture automatique est désormais désactivé.

Attention! Dans certains pays, le retirer du mécanisme de fermeture automatique n'est pas autorisée. Assurez-vous de suivre les règles et réglementations locales concernant de fermeture automatique de la porte

6. Allumer le feu pour la première fois

Quand le foyer est assemblé et toutes les instructions ont été observées, le feu peut être allumé.

Placez les bûches en bois soigneusement dans la chambre de combustion pour éviter d'endommager les plaques thermo isolants. L'humidité dans les plaques thermo isolants peut causer une combustion lente les premières fois que le foyer est utilisé, ce phénomène cesse quand l'humidité s'évapore.

Il est recommandé de bien aérer lors du premier allumage, car le vernis du foyer libérera un peu de fumée et d'odeur, qui disparaîtra et n'est pas dangereuse

Allumer le feu

Insérez les bûchettes sèches de bois, allumez et assurez-vous que le bois d'allumage commence à prendre feu avant la fermeture de la porte. Avant de fermer la porte ouvrez la commande d'apport d'air (Fig 10) Quand les flammes sont stables et le conduit de cheminée est chaude, fermez complètement la

commande d'allumage. Si vous utilisez ultérieurement le foyer et la cheminée peuvent surchauffer.

Quand il y a une couche rougeoyante de charbon, rajouter quelques bûches. En insérant des nouvelles bûches rappelez-vous de tirer la braise chaude en avant dans du foyer de sorte que le bois soit mis à feu de l'avant. La commande d'allumage doit être ouverte chaque fois que de nouvelles bûches sont insérées afin qu'elles s'embrasent. Le feu doit brûler avec les flammes vives.

L'utilisation du foyer avec une trop faible arrivée d'air (combustion lente) augmente la pollution aussi bien que le risque d'un feu dans la cheminée. **Ne laissez jamais le foyer ou le conduit d'évacuation des fumées devenir surchauffés et rougeoyants. Si ceci se produit, fermer la commande d'entrée d'air.** Le réglage correct de la commande d'arrivée d'air nécessite une certaine expérience, selon la configuration de chaque maison.

Avertissement !

Ne laissez jamais la commande d'air primaire en mode allumage pendant des périodes prolongées, car cela peut entraîner une surchauffe.

IMPORTANT ! Rappelez-vous toujours d'ouvrir la commande d'allumage aussi bien que la commande d'apport d'air (de préférence aussi la porte) quand de nouvelles bûches en bois sont insérées dans la chambre de combustion. Avant de réduire le tirage laissez le feu prendre et les flammes être stables.

Quand le tirage dans la cheminée est bas et les commandes fermées, le gaz produit peut-être enflammé d'un seul coup. Cela peut causer des dommages au produit aussi bien que l'environnement proche (explosion).

7. Entretien

Nettoyage et inspection

Le foyer doit être inspecté complètement et nettoyé à fond au moins une fois par saison (Avec le ramonage). Assurez-vous que tous les joints sont serrés et sont correctement placés. Échangez toutes les joints qui sont usés ou déformés. Toujours inspecter un foyer a froid.

Cendres

Les cendres doivent être éliminées à intervalle régulier (selon la fréquence d'utilisation). Les cendres peuvent contenir la braise chaude même plusieurs jours après que le feu paraisse éteint. Utilisez un conteneur non-inflammable pour éliminer les cendres. Il est recommandé de laisser une couche de cendres dans le fond afin de mieux isoler la chambre de combustion. Manipulez les plaques thermo isolantes avec soin lorsque vous videz les cendres, particulièrement si vous utilisez une pelle à cendre.

Thermotte™

Les plaques d'isolation (Thermotte - FIG 3) sont considérées comme des pièces d'usure qui doivent être remplacées au bout de quelques années.

La date de remplacement dépend de l'utilisation qui est faite du produit. Nordpeis garantit ces pièces un an.

Une fois la garantie passée, vous pouvez acheter des pièces de rechange. Si vous avez besoin de nouvelles plaques, contactez votre revendeur.

Dans le cas où il serait nécessaire d'enlever les plaques thermo isolants, procéder dans l'ordre suivant, soulever le déflecteur de fumée (A) pour enlever les plaques latérales:

D. Déflecteur de fumée

C. Plaque de fond

A+B. Partie inférieure avant + plaque inférieure

Notez svp: Les bûches trop longues peuvent fendre les plaques, en raison de la tension créée par eux entre les plaques latérales.

Porte et verre

Il est nécessaire de nettoyer la suie sur le verre. Employez un produit spécifique pour vitres. (NB! Faites attention, le détergent peut endommager le vernis). Si d'autres détergents sont utilisés ils peuvent endommager le verre. Le meilleur conseil pour nettoyer le verre est d'employer un tissu humide ou du papier que l'on aura préalablement trempé dans la suie de la chambre de combustion. Frottez autour de la suie sur le verre et finissez avec un morceau propre et humide de papier de cuisine. NB! Nettoyez seulement le verre quand le foyer est froid.

Vérifiez régulièrement que la transition entre le verre et la porte est complètement hermétique.

Périodiquement il peut être nécessaire de changer les joints dans la porte pour s'assurer que le foyer est hermétique et fonctionne de manière optimale. Ces joints Nordpeis peuvent être achetés chez votre revendeur. Seuls les joints Nordpeis permettent l'application de la garantie.

LE VERRE RÉFRACTAIRE NE PEUT PAS ÊTRE RECYCLÉ

Le verre Réfractaire devrait être traité comme des déchets résiduels, avec la poterie et la porcelaine



Recyclage du verre réfractaire

Le verre réfractaire ne peut pas être recyclé. Le vieux verre réfractaire, cassé ou autrement inutilisable, doit être jeté comme un déchet résiduel. Le verre réfractaire a une température de fusion plus haute et ne peut pas donc être recyclé avec le verre ordinaire. Dans le cas

où il serait mélangé avec du verre ordinaire, il endommagerait la matière première et pourrait empêcher le recyclage de verre. C'est une contribution importante à l'environnement de s'assurer que le verre réfractaire n'est pas recyclé avec du verre ordinaire.

Recyclage de l'emballage

L'emballage accompagnant le produit doit être recyclé conformément aux réglementations nationales

8. Garantie

Avertissement !
Utilisez uniquement des pièces de rechange recommandées par le fabricant.

Avertissement !
Toute modification non autorisée de l'appareil sans l'accord écrit du constructeur est interdite.

Pour une description détaillée des conditions de garantie voir la carte de garantie ci-joint ou notre site web www.nordpeis.fr

Le **marque "CE"** est située sur l'écran de chaleur à l'arrière du foyer

9. Conseils pour allumer un feu

La meilleure manière d'allumer un feu est avec l'utilisation des briquettes. Les journaux causent beaucoup de cendres et l'encre est dommageable pour l'environnement. Des prospectus publicitaires, magasins, cartons de lait, etc. ne sont pas appropriés pour allumer un feu. L'apport d'air est important à l'allumage. Quand la conduite de cheminée est chaude le tirage est plus fort et la porte peut être fermé.

Avertissement !
Certaines surfaces de l'insert peuvent devenir très chaudes en cours de fonctionnement et provoquer des brûlures. Veillez à prendre des précautions supplémentaires.

Avertissement: n'utilisez JAMAIS un carburant d'éclairage comme essence, la paraffine, des alcools à brûler ou similaires pour allumer un feu. Cela pourrait vous causer des blessures ainsi qu'endommager le produit.

Utilisez du bois propre et sec avec une teneur en humidité maximale de 20% et minimum de 16%. Le bois humide exige beaucoup d'air pour la combustion, car de l'énergie/chaleur supplémentaires est nécessaire pour sécher l'humidité. L'effet thermique est donc minime. De plus cela cause la création de suie dans la cheminée avec un risque du feu de cheminée.

En cas d'incendie de cheminée, fermez la porte et les alimentations en air du poêle ou de l'insert et appelez les Pompiers. Après un incendie, la cheminée doit dans tous les cas être inspectée par un ramoneur agréé avant de pouvoir être utilisée à nouveau.

Entreposage du bois

Afin de s'assurer que le bois est sec, l'arbre doit être coupé en hiver et ensuite entreposé pendant l'été, sous sous abris et dans un endroit avec une ventilation adéquate. La pile de bois ne doit jamais être recouverte d'une bâche qui est couchée contre le sol, la bâche agira alors comme un couvercle hermétique qui empêche le bois de sécher. Toujours garder une petite quantité de bois à l'intérieur, quelques jours avant l'utilisation afin que l'humidité de la surface du bois peut s'évaporer.

Conseils généraux pour le feu

Pas assez d'air pour la combustion peut causer l'encrassement de la vitre par la suie. Par conséquent, fournir de l'air au feu dès l'allumage, que les flammes et les gaz dans la chambre de combustion sont correctement brûlé. Ouvrez la commande d'apport d'air et tenez la porte légèrement entrouverte pour que les flammes peuvent s'établir correctement sur le bois.

Trop d'air à la combustion peut créer une flamme incontrôlable qui très rapidement chauffera le foyer entier à d'extrêmement hautes températures (avec la porte fermée ou presque fermée). Pour cette raison ne remplissez jamais totalement la chambre de combustion du bois.

Il est recommandé de garder un même feu avec une petite quantité de bois. Si trop de bois est mis sur la braise chaude, l'alimentation d'air ne serait pas suffisante pour atteindre les exigences de température, et le gaz sortira non brûlé. Pour cette raison, il est important d'augmenter l'apport d'air juste après l'addition des buchettes pour avoir des flammes appropriées dans la chambre de combustion afin que les gaz soient brûlés. Ouvrir la commande d'allumage où laisser la porte ouvert légèrement jusqu'à inflammation du bois.

Choix de combustible

Tous les types de bois, comme le bouleau, hêtre, chêne, orme, le frêne et d'arbres fruitiers, peuvent être utilisés comme combustible dans le foyer. Les essences de bois ont des degrés différents de dureté - plus le bois est dur, plus il contient de l'énergie. Hêtre, chêne et le bouleau ont le plus haut degré de dureté.

Nous attirons votre attention sur l'usage de briquettes de bois reconstitué. Celles-ci dégagent généralement une puissance calorifique supérieure au bois bûche, qui peuvent endommager les éléments du foyer voir le foyer lui-même. Se conformer strictement aux prescriptions du fabricant de briquettes, une surchauffe constatée avec ce type de produit entraîne la suppression de la garantie

Avertissement : N'employez JAMAIS de bois imprégnés, bois peint, contre-plaqué, carton, déchets, cartons de lait, et des documents imprimés ou similaires. Si n'importe lequel de ces articles est utilisé comme le carburant la garantie est invalide.

Ces matériaux peuvent former lors de la combustion d'acide chlorhydrique et des métaux lourds qui sont nocifs pour l'environnement, vous et le foyer.

L'acide chlorhydrique peut également attaquer l'acier dans la cheminée ou en maçonnerie dans une cheminée en maçonnerie.

Aussi, éviter d'allumer avec de l'écorce, la sciure de bois ou d'autres extrêmement fines, en dehors de l'allumage d'un feu. Cette forme de carburant peut facilement provoquer un embrasement qui peuvent conduire à des températures trop élevées.

Attention: Assurez-vous que le foyer ne soit pas en surchauffe car elle peut causer des dégâts qui ne sont pas imputables à l'appareil. De tels dégâts ne sont pas couverte pas la garantie.

Source "Håndbok, effektiv og miljøvennlig vedfyring" by Edvard Karlsvik SINTEF Energy Research AS and Heikki Oravainen, VTT.

Erreur	Explication	Solution
Absence de tirage	La cheminée est obstruée.	Contactez un ramoneur/un revendeur pour obtenir plus d'informations ou nettoyez le conduit, le déflecteur de fumée et la chambre de combustion.
	Le conduit est plein de suie ou de la suie s'est accumulée sur le déflecteur de fumée.	
	Le déflecteur de fumée est mal positionné.	Vérifiez le montage du déflecteur de fumée (voir les instructions de montage).
L'insert libère de la fumée à l'allumage du feu et pendant la combustion	Un courant descendant dans la pièce est causé par l'absence de tirage, ce qui signifie que la maison est trop « hermétique ».	Allumez le feu avec une fenêtre ouverte. Au besoin, il est nécessaire d'installer des conduits supplémentaires/plus gros dans la pièce.
	Un courant descendant dans la pièce est causé par une hotte ou un système de ventilation centrale qui aspire trop d'air de la pièce.	Éteignez/réglez la hotte et/ou les autres aérations. Au besoin, il est nécessaire d'installer plus de conduits.
	Les conduits de deux cheminées/poêles sont raccordés à la même cheminée, à la même hauteur.	L'un des conduits doit être repositionné. La différence de hauteur entre les deux conduits doit être d'au moins 30 cm.
	Le conduit est en position inclinée du dôme de fumée à la cheminée.	Le conduit doit être déplacé pour avoir une inclinaison d'au moins 10° du dôme de fumée à la cheminée. Installez éventuellement un appareil d'aspiration des fumées*.
	Le conduit est trop loin dans la cheminée.	Le conduit doit être raccordé à nouveau de sorte qu'il n'entre pas dans la cheminée mais prenne fin 5 mm avant le mur intérieur de la cheminée. Installez éventuellement un appareil d'aspiration des fumées*.
	La trappe de suie est ouverte dans la cave ou le grenier et crée ainsi un mauvais tirage.	Les trappes de suie doivent toujours être fermées. Les trappes qui ne sont pas hermétiques ou qui sont défectueuses doivent être remplacées.
	Le registre/les conduits de tirage supérieurs ou les portes des cheminées inutilisées sont ouverts et créent un mauvais tirage.	Fermez le registre, les portes et les conduits de tirage supérieurs sur les cheminées inutilisées.
	Un orifice ouvert dans la cheminée après qu'un foyer a été enlevé crée un mauvais tirage.	Les orifices doivent être complètement bouchés par des travaux de maçonnerie.
	Une maçonnerie défectueuse dans la cheminée, qui n'est par exemple pas hermétique autour de l'entrée du conduit, et/ou une cloison cassée dans la cheminée, entraînent un mauvais tirage.	Rebouchez et plâtrez toutes les fissures et les endroits qui ne sont pas hermétiques.
	La section transversale dans la cheminée est trop large et entraîne un tirage très faible voire nul.	La cheminée doit être réinstallée, éventuellement avec un appareil d'aspiration des fumées*.
	La section transversale dans la cheminée est trop petite et la cheminée ne peut pas convoyer toute la fumée.	Remplacez la cheminée par une plus petite ou construisez une nouvelle cheminée avec une section transversale plus large. Installez éventuellement un appareil d'aspiration des fumées*.
La cheminée est trop basse et a par conséquent un faible tirage.	Augmentez la hauteur de la cheminée et/ou installez un chapeau de cheminée/un appareil d'aspiration des fumées*.	
La cheminée libère de la fumée à l'intérieur lorsqu'il y a du vent dehors.	La cheminée est trop basse compte tenu du terrain environnant, des bâtiments, des arbres etc.	Augmentez la hauteur de la cheminée et/ou installez un chapeau de cheminée/un appareil d'aspiration des fumées*.
	Le toit trop plat crée des turbulences autour de la cheminée.	Augmentez la hauteur de la cheminée et/ou installez un chapeau de cheminée/un appareil d'aspiration des fumées*.
La cheminée ne chauffe pas suffisamment.	La combustion de la cheminée reçoit beaucoup trop d'oxygène à cause d'une fuite sous le bord inférieur de l'insert ou d'un tirage de cheminée trop fort. Difficultés à réguler la combustion et le bois brûle trop rapidement.	Toute fuite éventuelle doit être rebouchée. Un régulateur de tirage ou éventuellement un registre peut réduire le tirage de la cheminée. Remarque : une fuite de 5 cm ² seulement suffit à faire disparaître 30 % de l'air chaud.
Tirage trop important	L'amortisseur de fumée est mal positionné.	Vérifiez le positionnement de l'amortisseur de fumée (voir les instructions de montage).
	En cas d'utilisation de bois séché au four, l'alimentation en air requise est moins importante que lors d'une utilisation de bois normal.	Réduisez l'alimentation en air.
	Les joints autour de la porte sont usés et complètement plats.	Remplacez les joints et contactez votre revendeur.
	La cheminée est trop grande.	Pour obtenir plus d'informations, contactez un ramoneur de cheminée ou un autre professionnel.
La vitre est noire de suie.	Le bois est trop humide.	Utilisez uniquement du bois sec à un taux d'humidité maximal de 20 %.
	Le contrôle du conduit d'air est fermé trop hermétiquement.	Ouvrez le contrôle du conduit d'air pour apporter de l'air à la combustion. Lors de l'insertion de nouvelles bûches, tous les contrôles de conduit doivent être complètement ouverts ou la porte entrouverte jusqu'à ce que le bois s'enflamme bien.

Vitre blanche	Mauvaise combustion (la température est trop basse).	Pour une bonne combustion, suivez les recommandations présentes dans ce manuel d'utilisation.
	Utilisation de matériaux inappropriés pour la combustion (comme : du bois peint ou imprégné, du plastique stratifié, du contre-plaqué, etc.).	Assurez-vous d'utiliser uniquement du bois propre et sec.
De la fumée s'échappe lorsque la porte est ouverte.	Une stabilisation de pression se produit dans la chambre de combustion.	Ouvrez le contrôle du conduit d'air pendant environ 1 minute avant d'ouvrir la porte. Évitez d'ouvrir la porte trop rapidement.
	La porte est ouverte lorsqu'un feu est présent dans la chambre de combustion.	Ouvrez délicatement la porte et/ou uniquement lorsqu'il y a des braises chaudes.
Fumée blanche	La température de combustion est trop basse.	Augmentez l'alimentation en air.
	Le bois est humide et contient de l'eau.	Assurez-vous d'utiliser uniquement du bois propre et sec.
Fumée noire ou grise/noire	Combustion insuffisante.	Augmentez l'alimentation en air.

- Ⓒ GB You need the following tools
Ⓒ DE Folgende Werkzeuge sind notwendig
Ⓒ FR Vous avez besoin des outils suivants

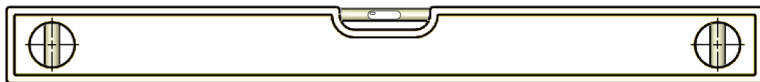
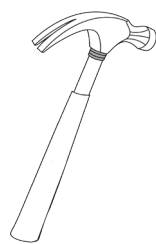
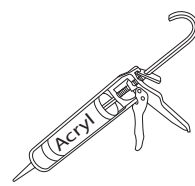
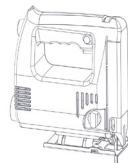
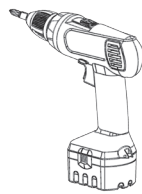
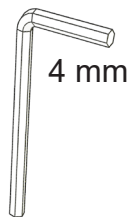
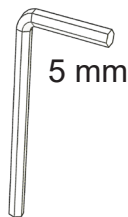
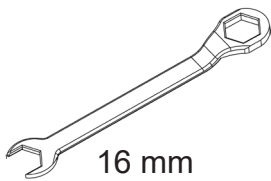
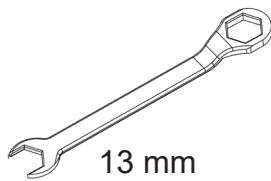
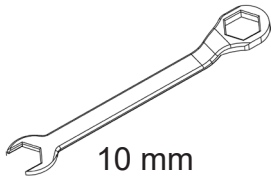
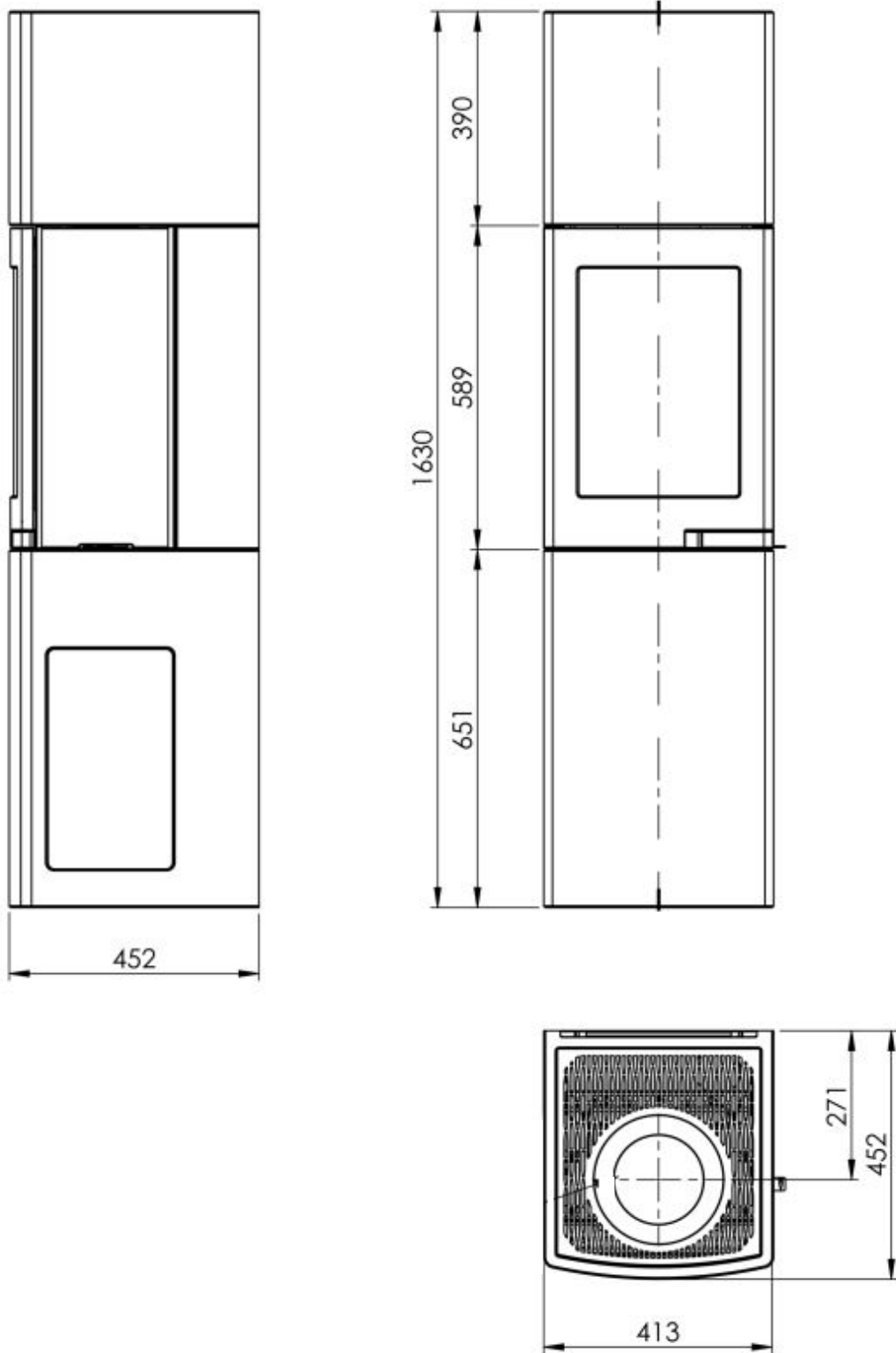


FIG 1

Lisboa=mm



Lisboa=mm AIR / mm Chimney

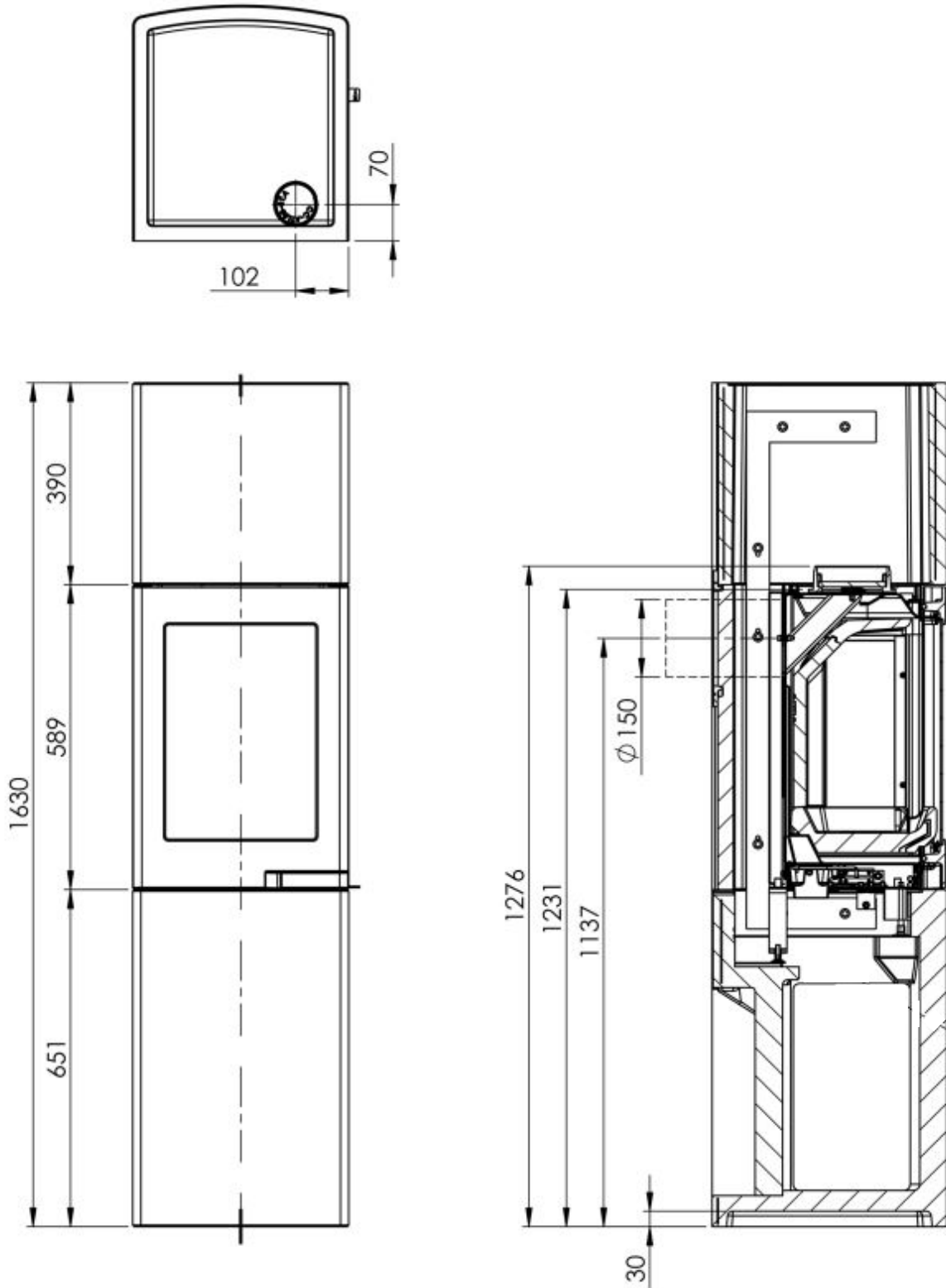
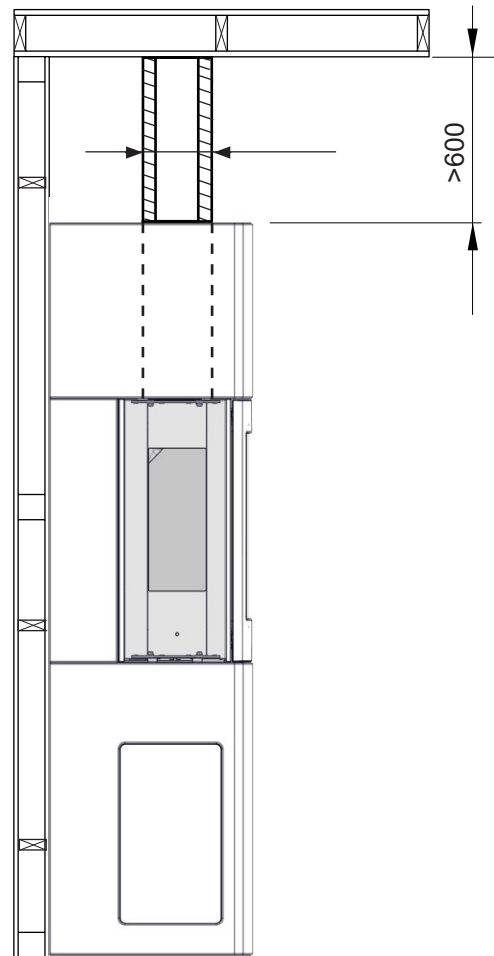
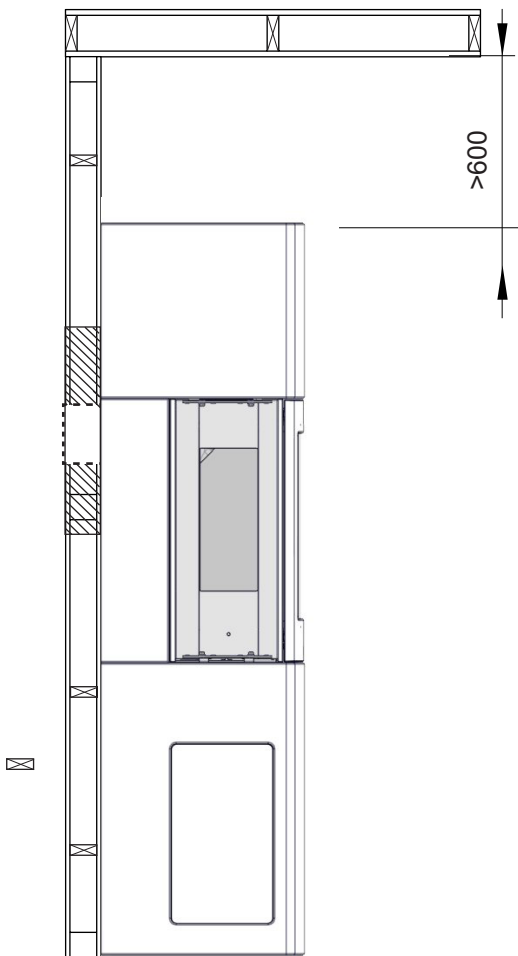
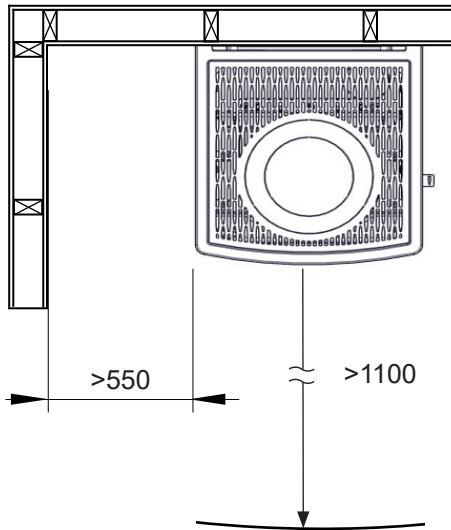


FIG 2

 =Combustible / Brennbarem Material



S-18U insert

FIG 3

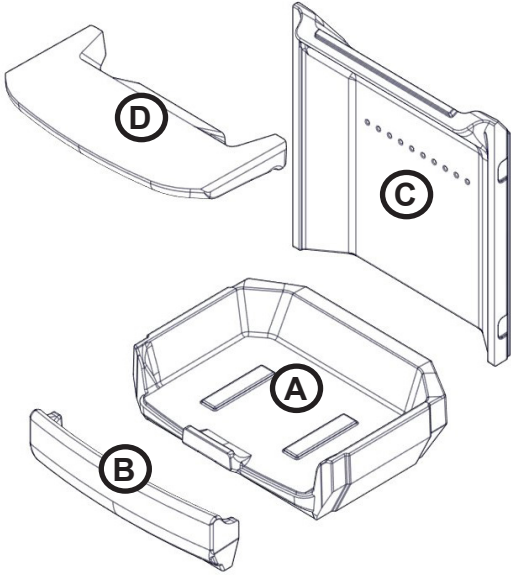
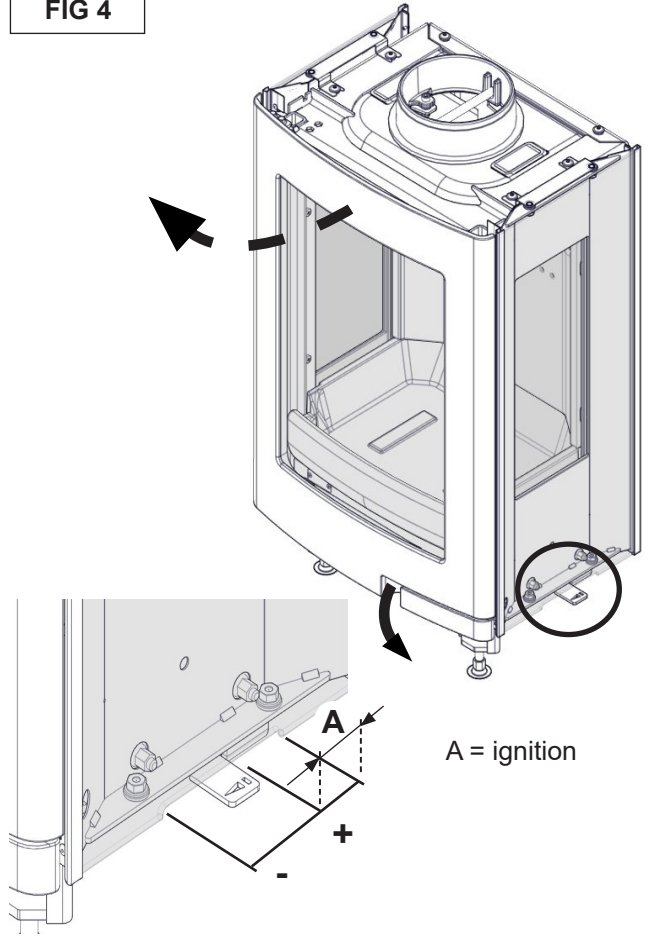


FIG 4



A = ignition

FIG 5

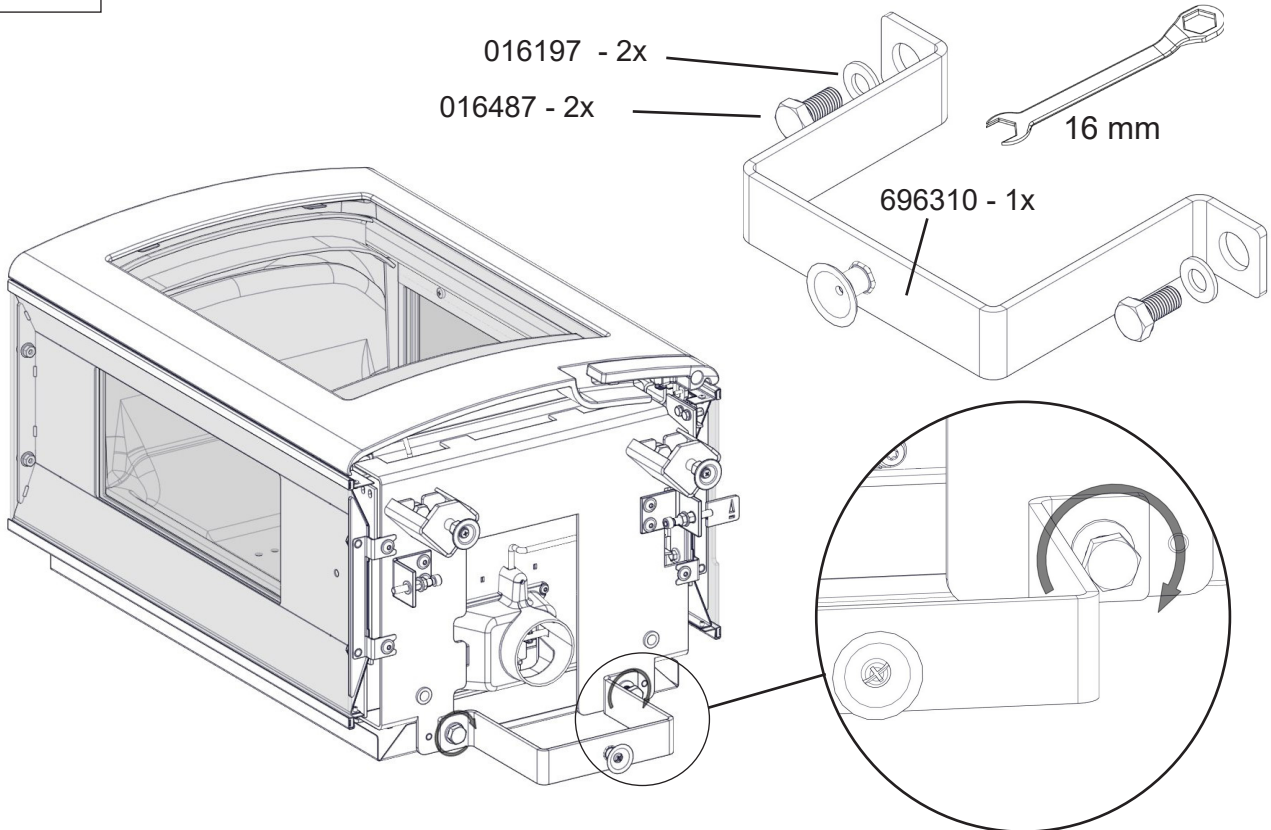


FIG 6

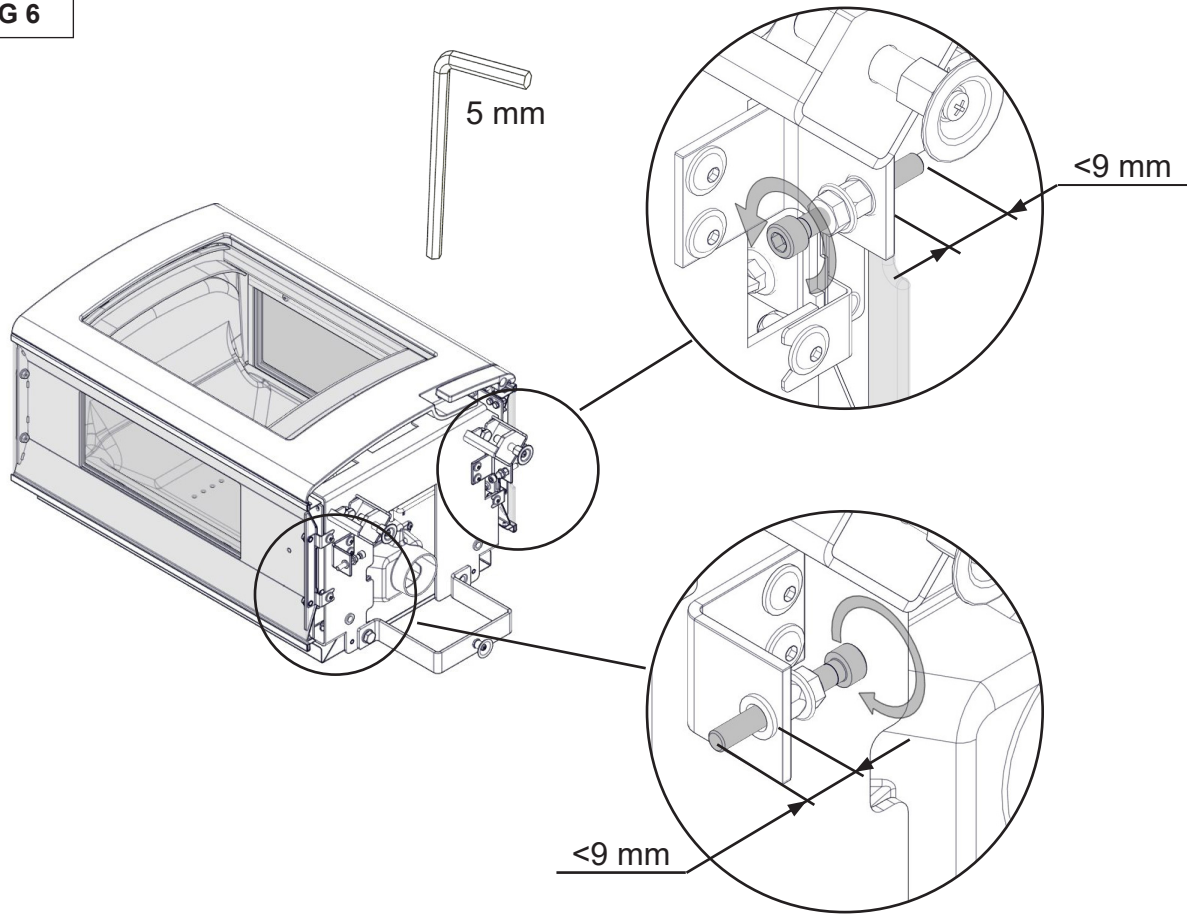


FIG 7

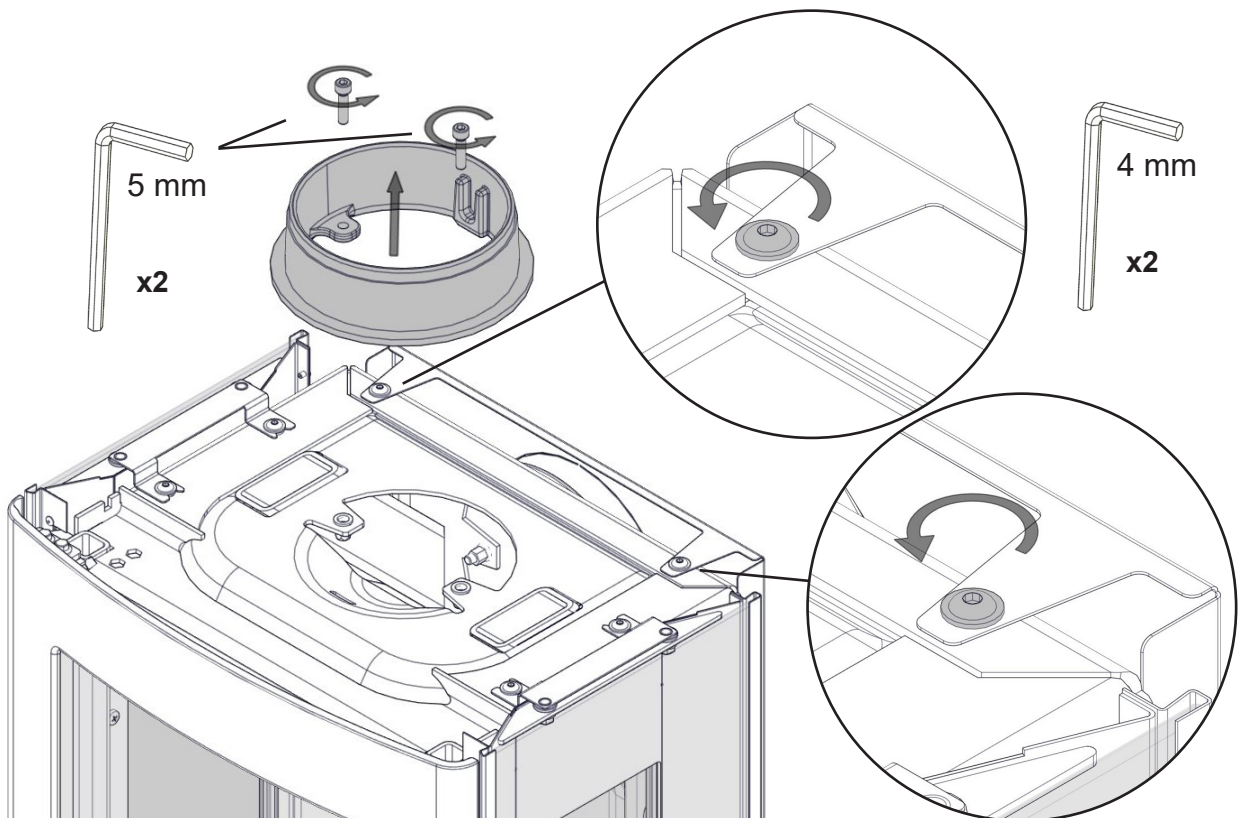


FIG 8

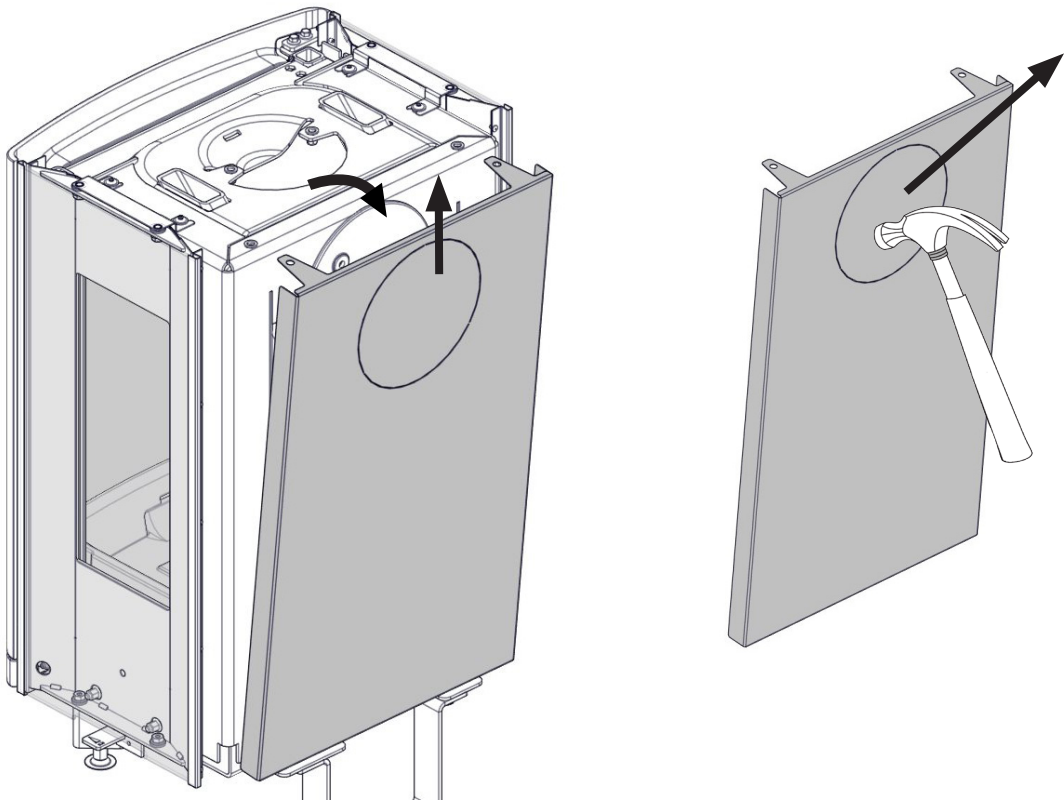


FIG 9

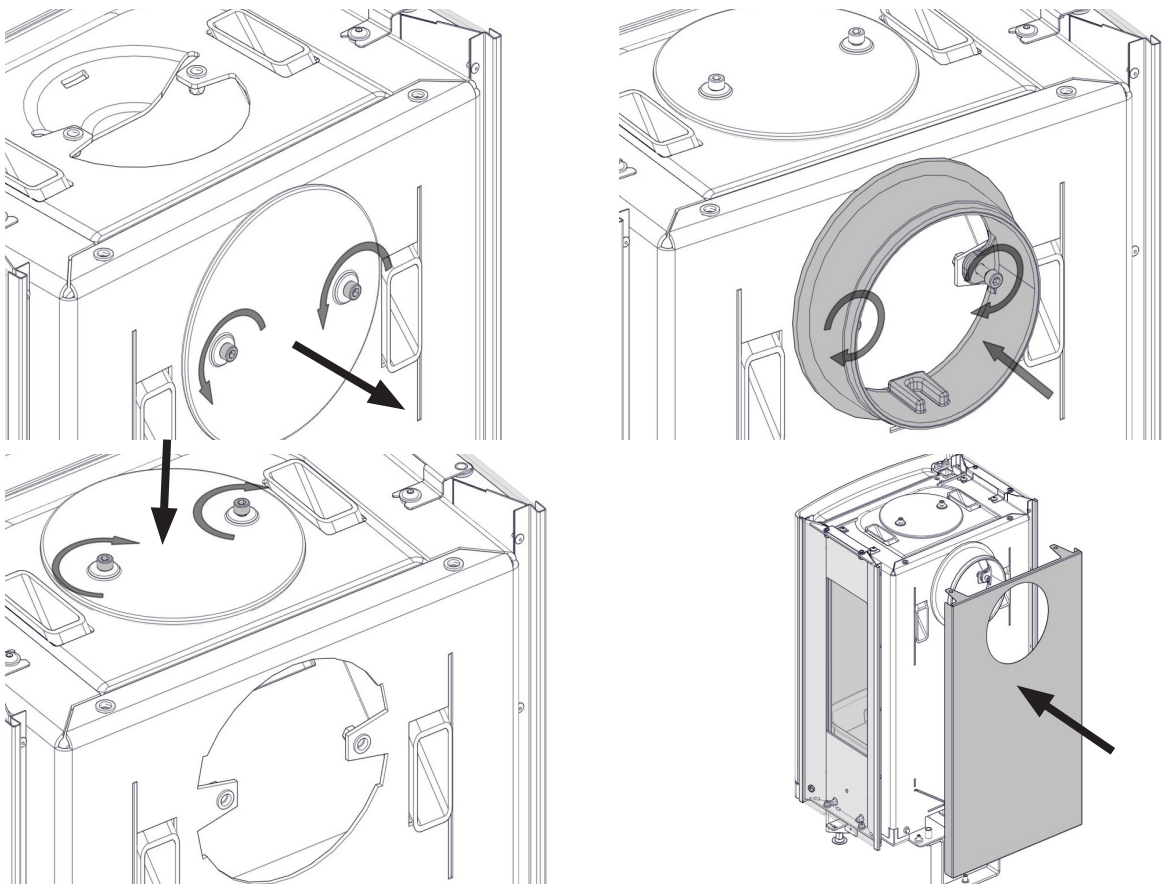
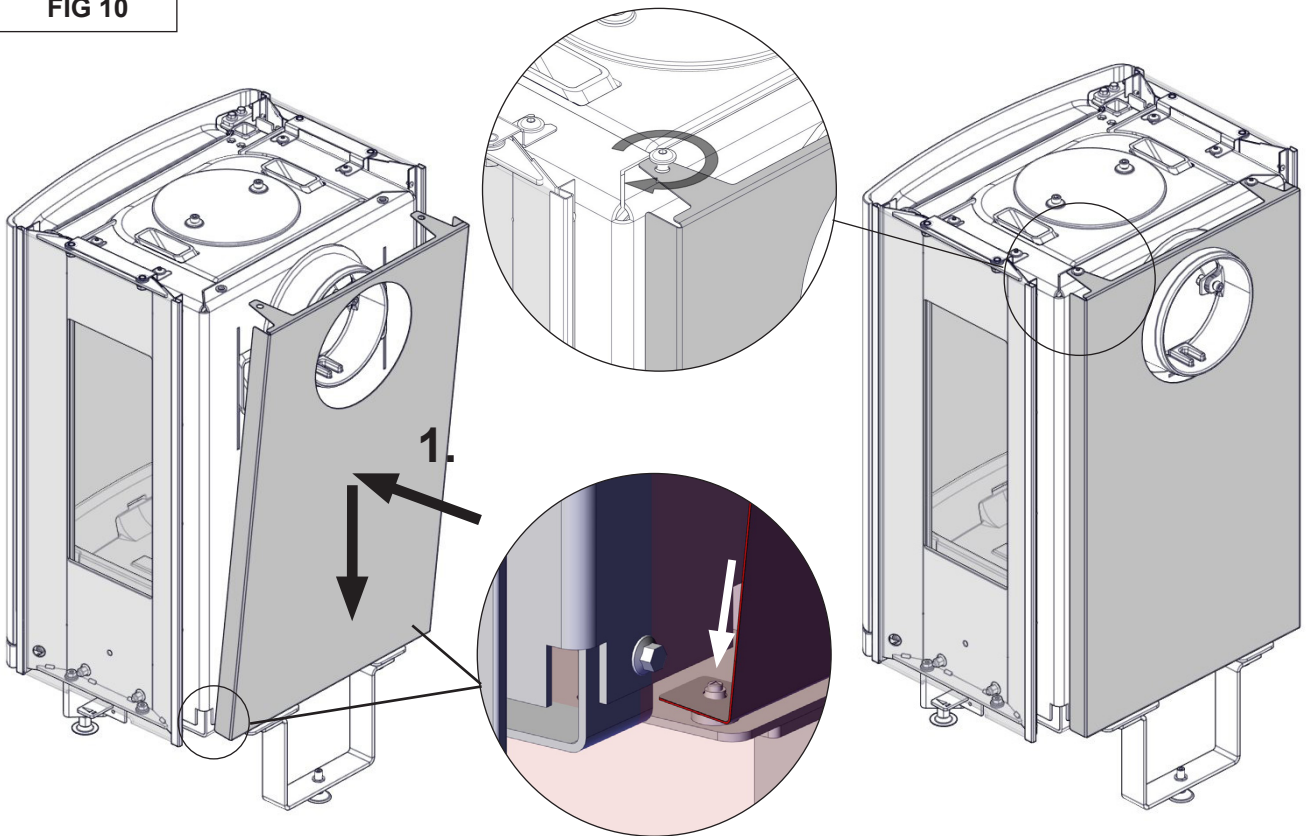


FIG 10



Lisboa - Assembling / Aufbau / Montage

FIG 11

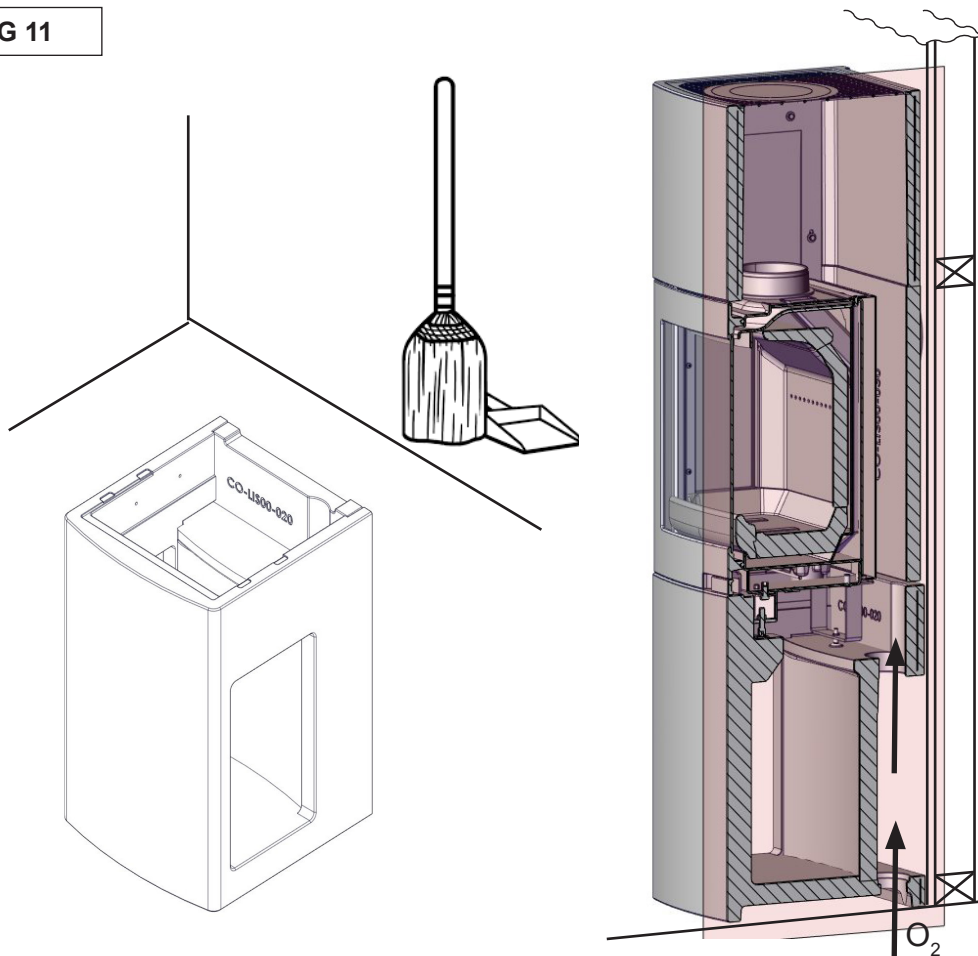


FIG 11a

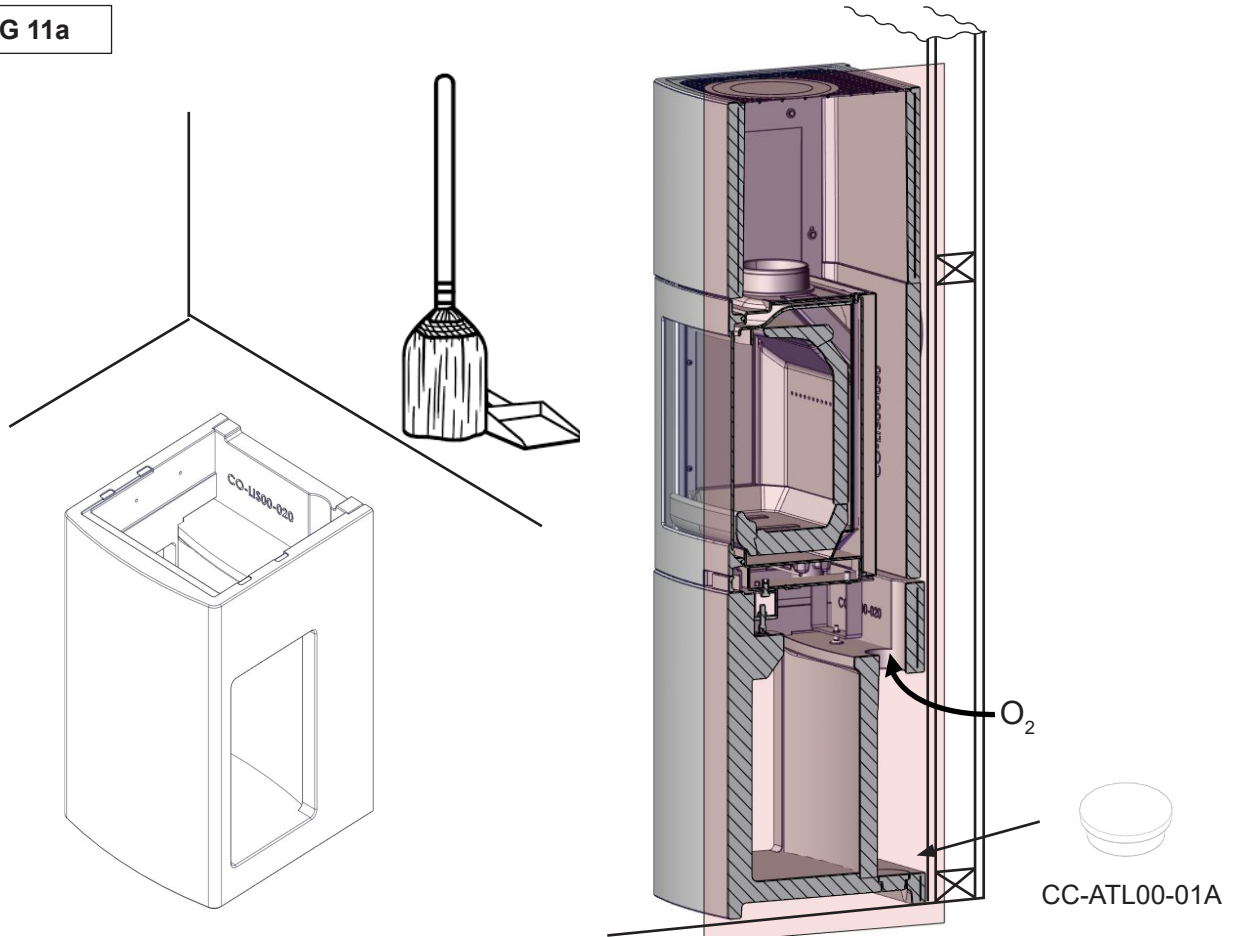


FIG 12

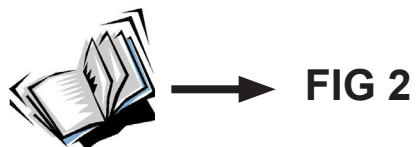
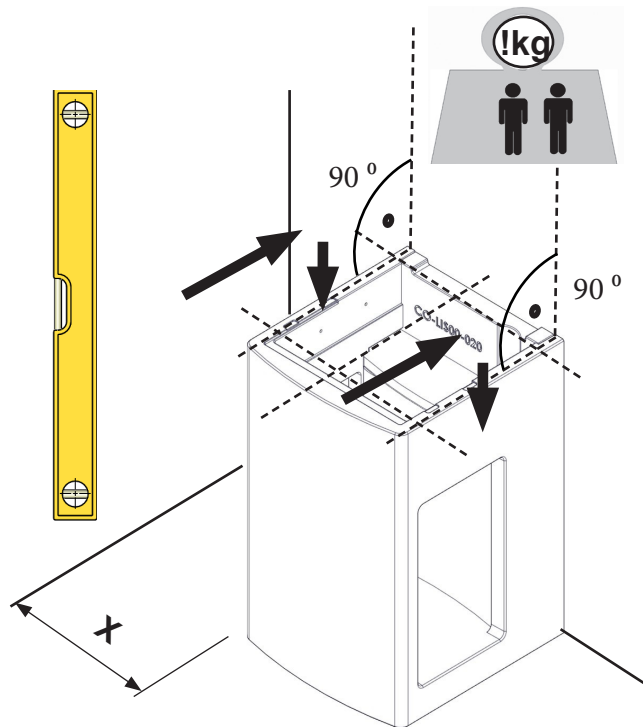


FIG 13

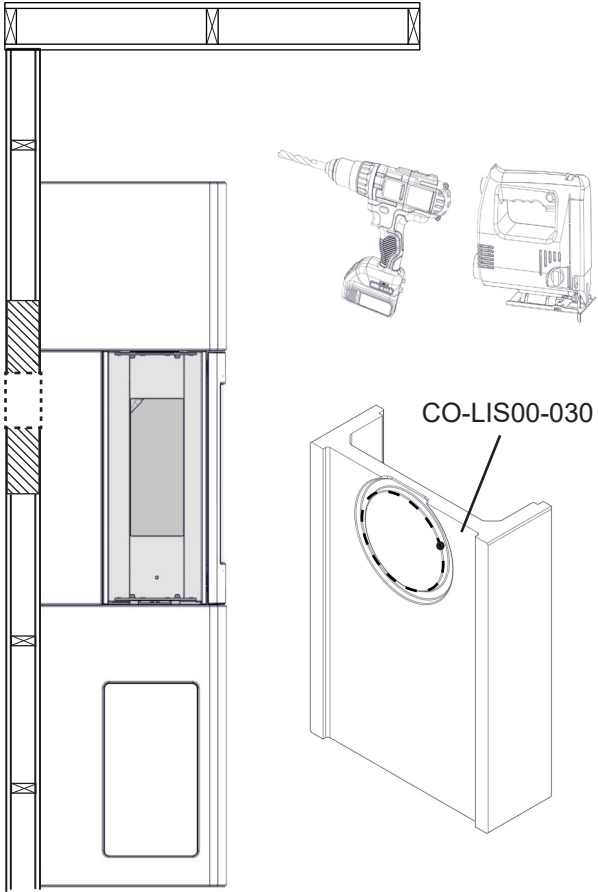


FIG 14

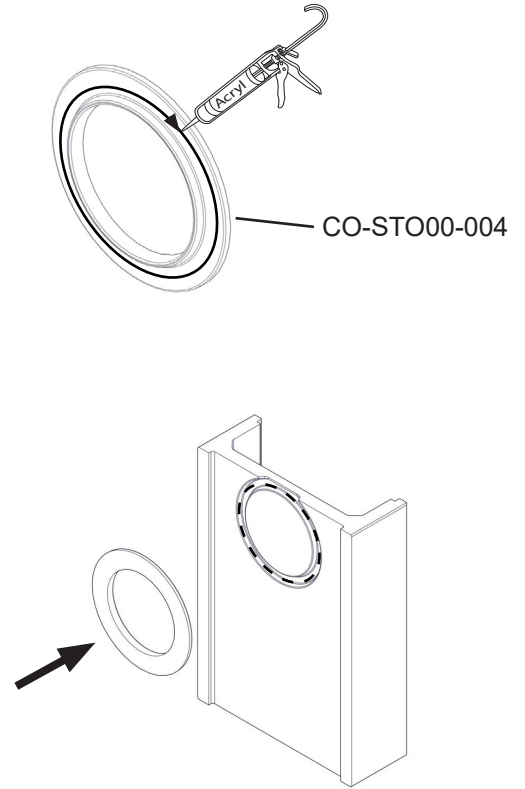


FIG 15

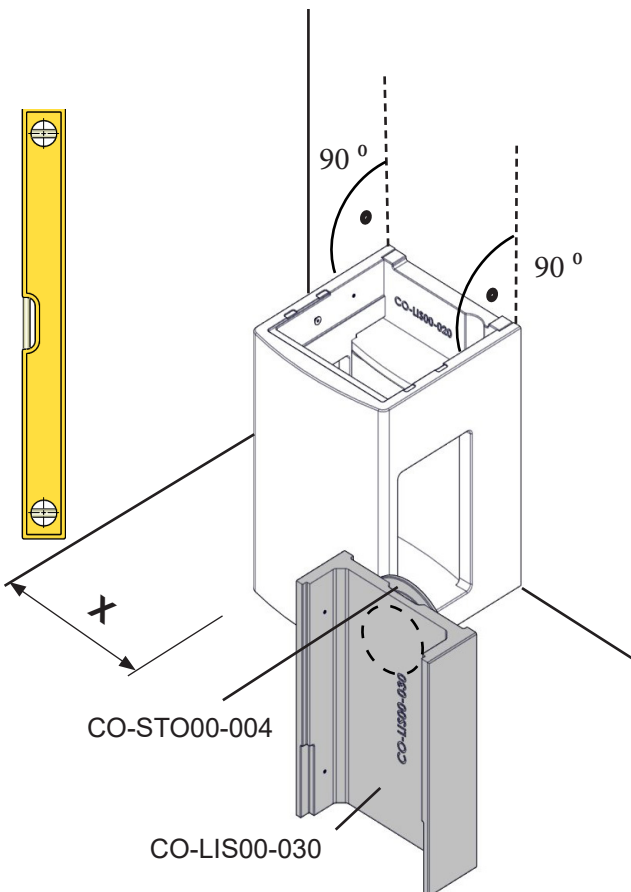


FIG 16

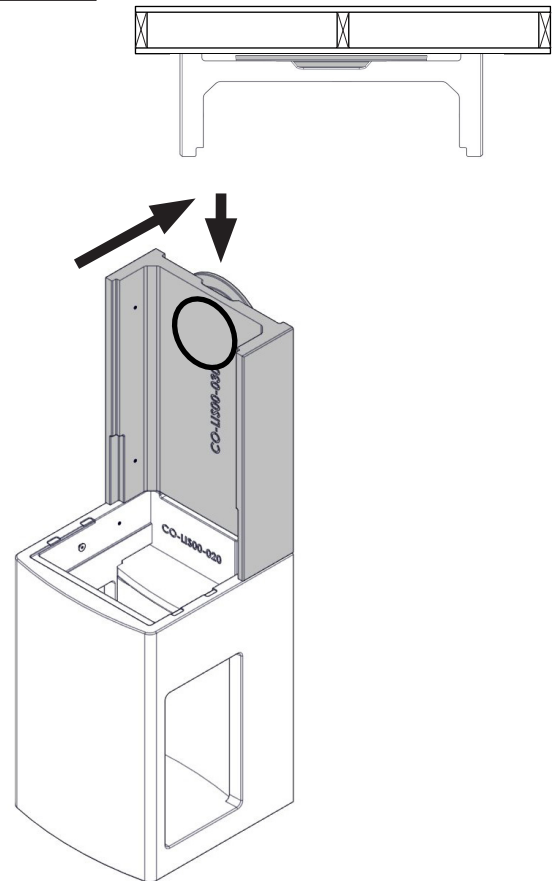


FIG 17

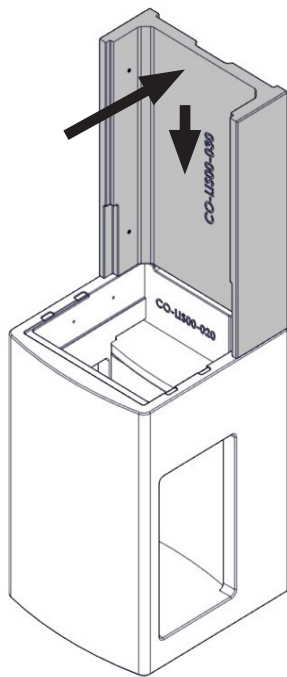


FIG 18

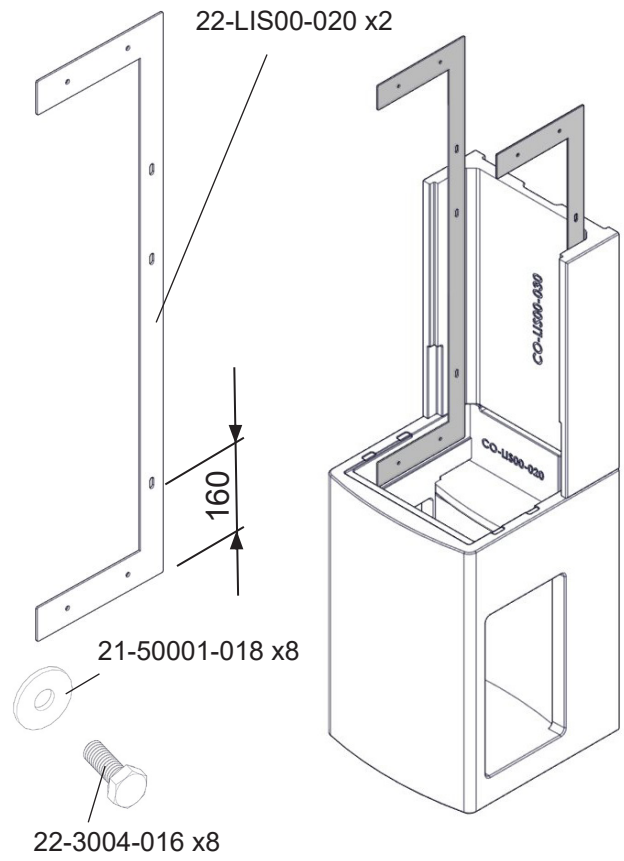


FIG 19

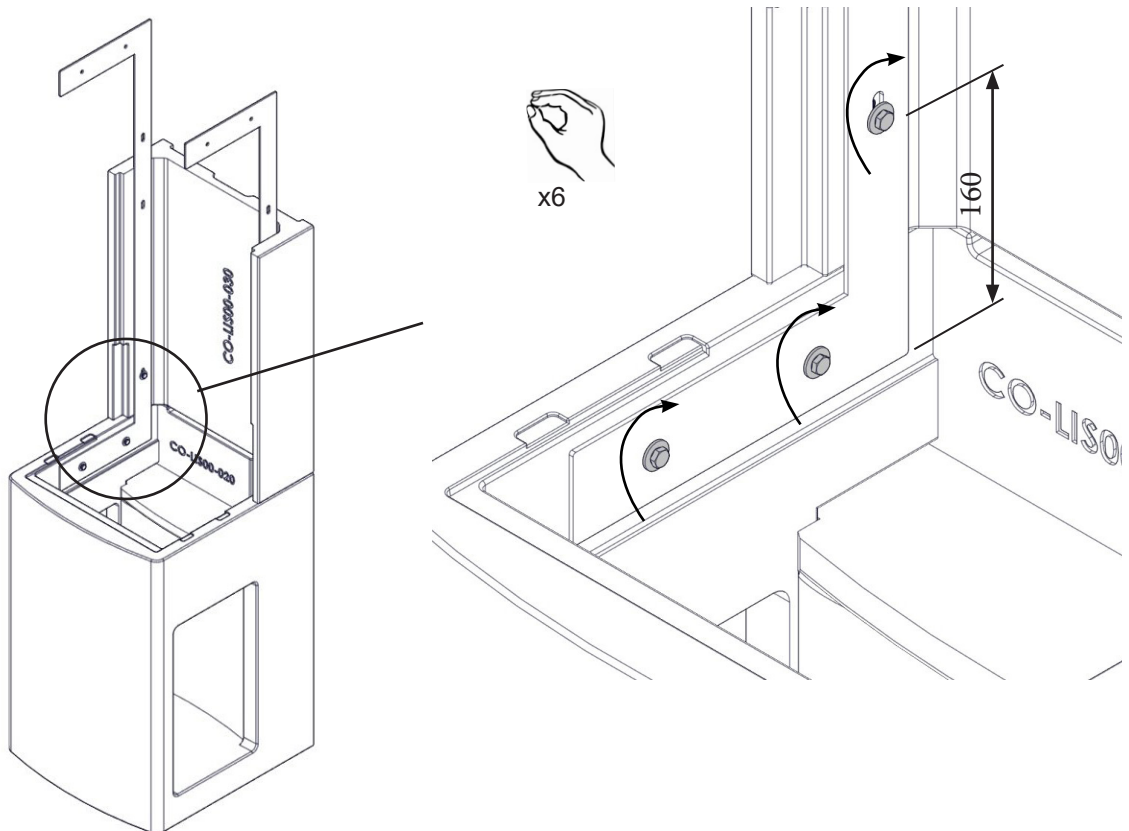


FIG 20

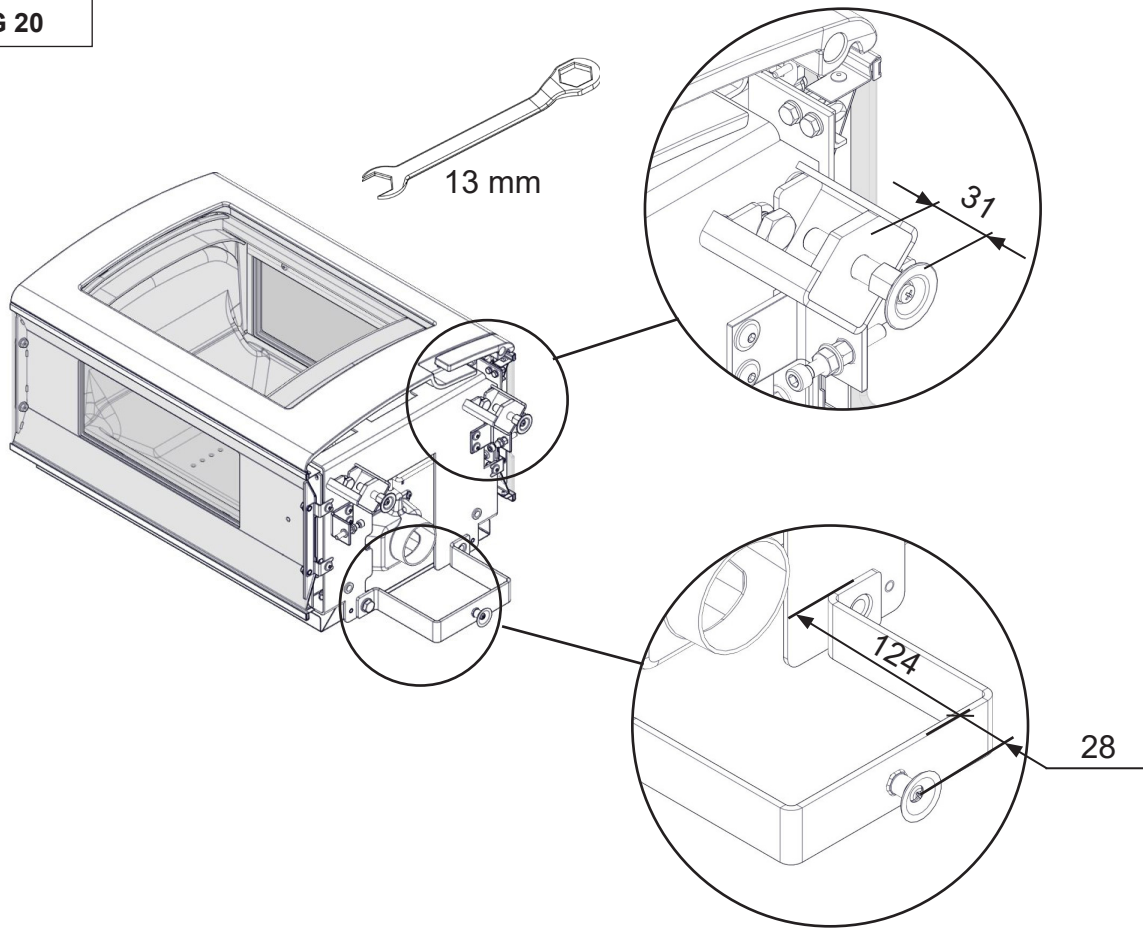


FIG 20a

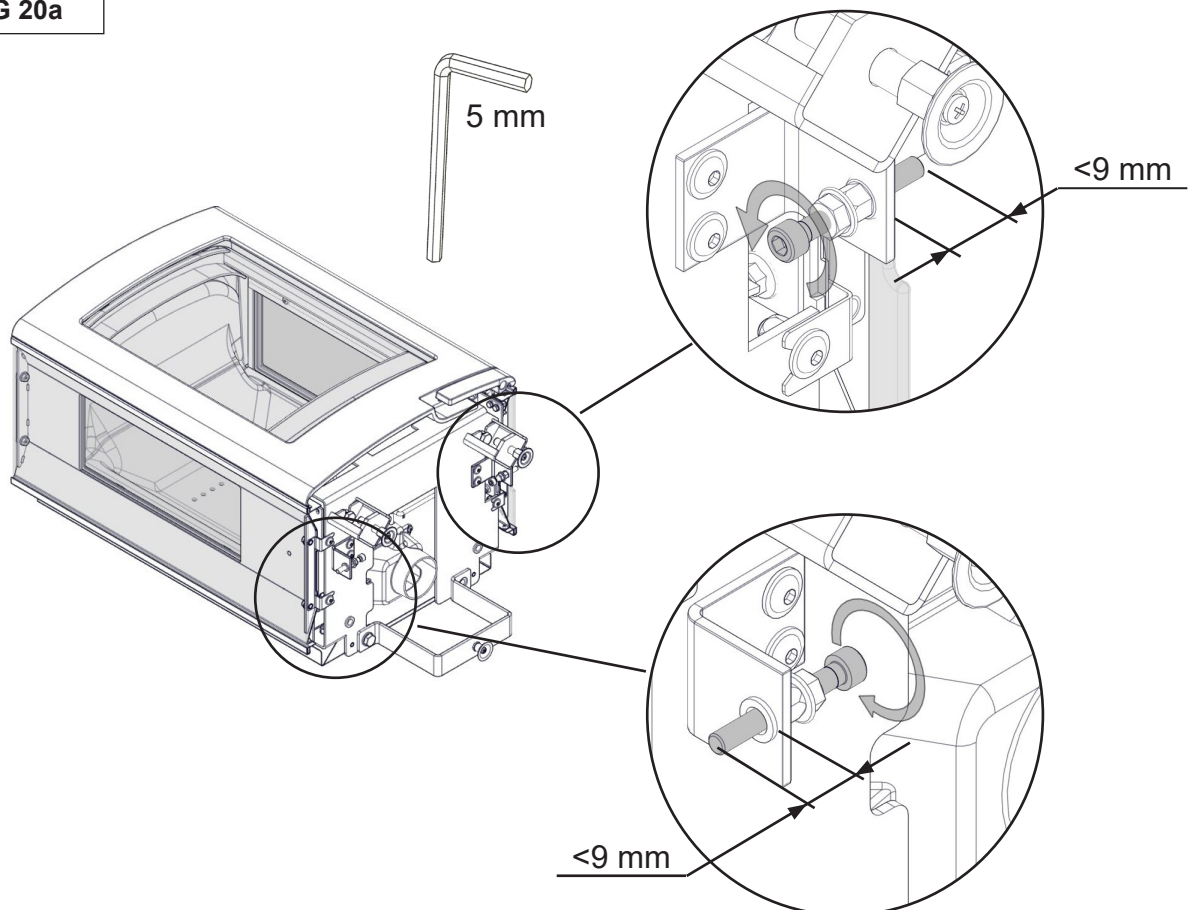


FIG 21

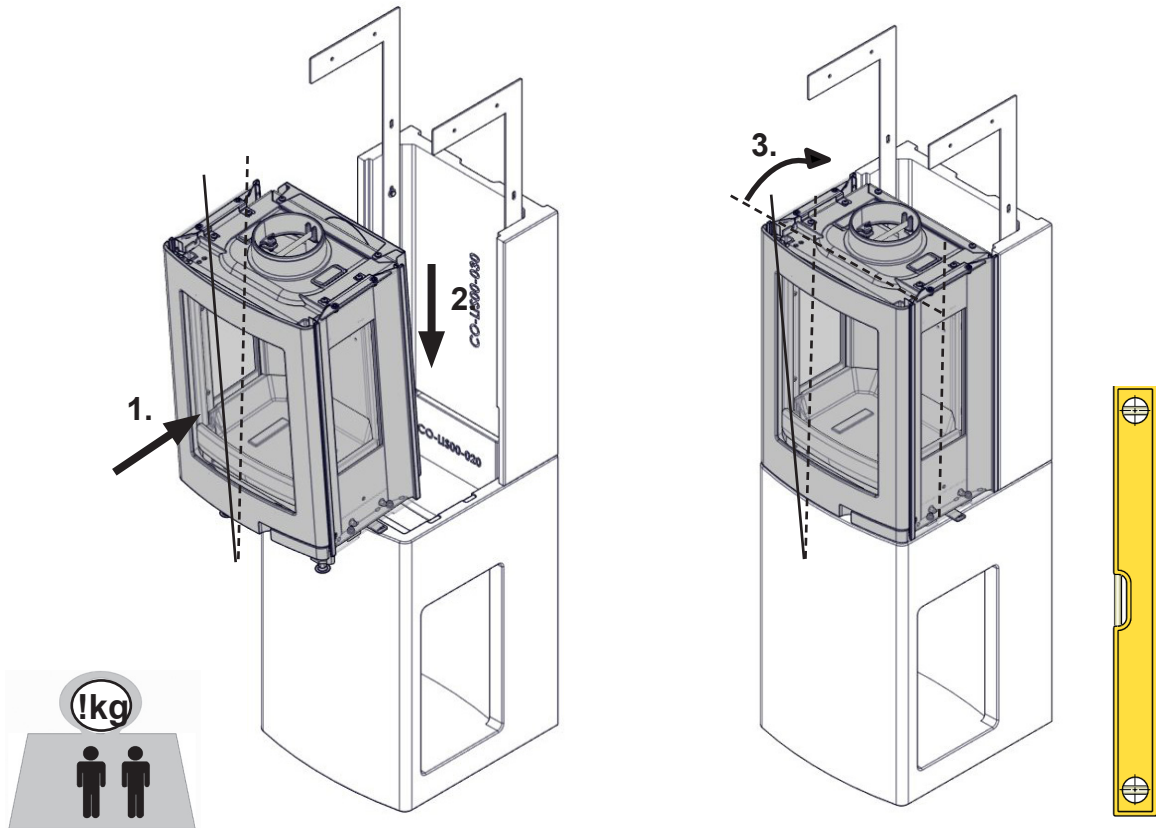


FIG 22

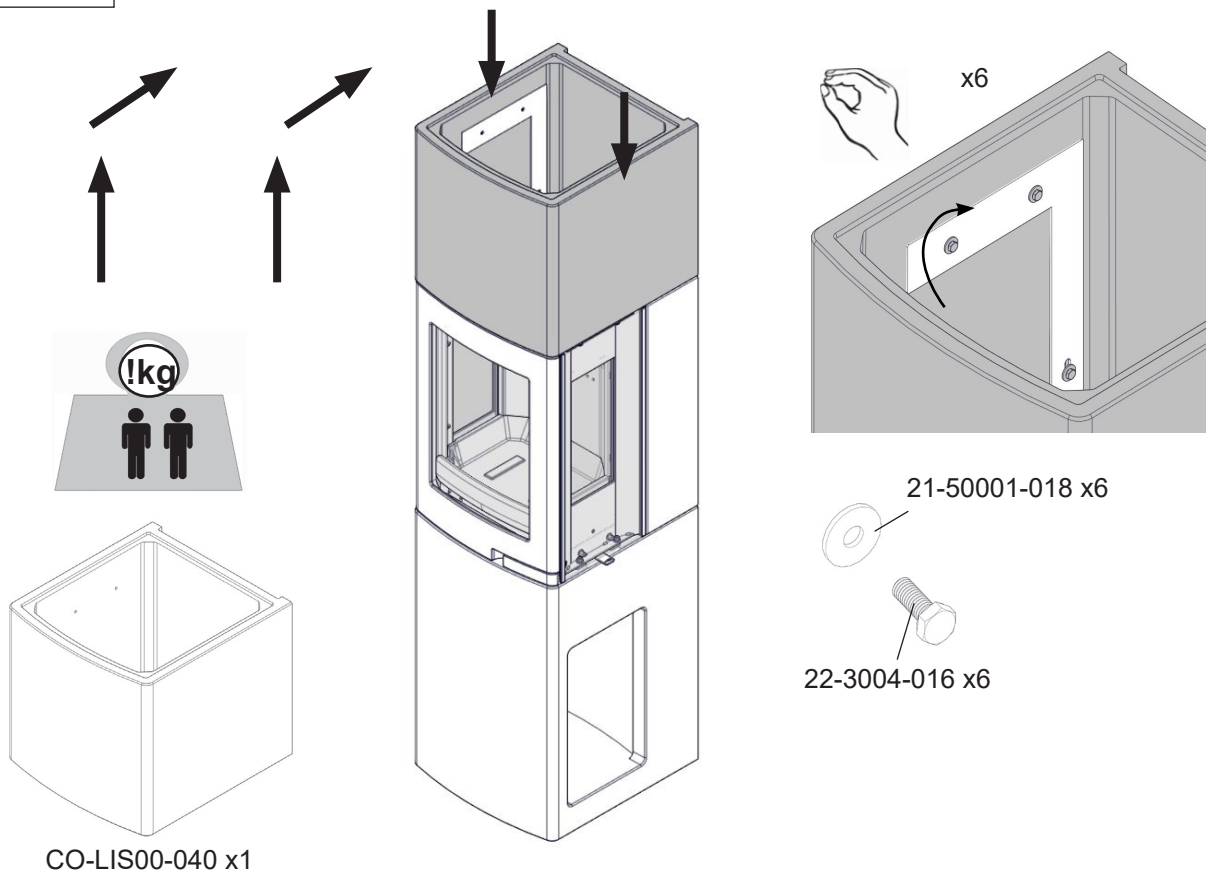


FIG 23

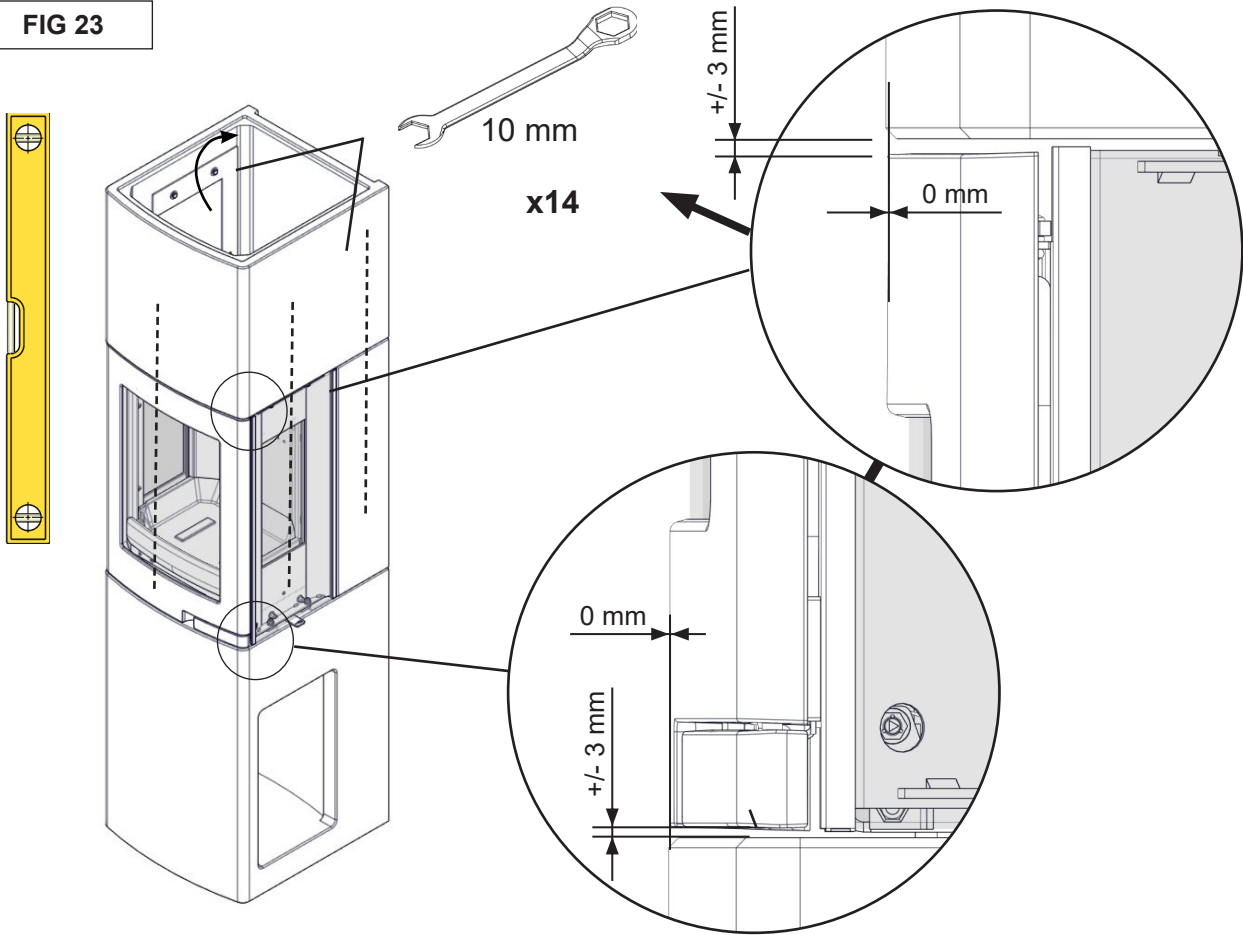


FIG 24

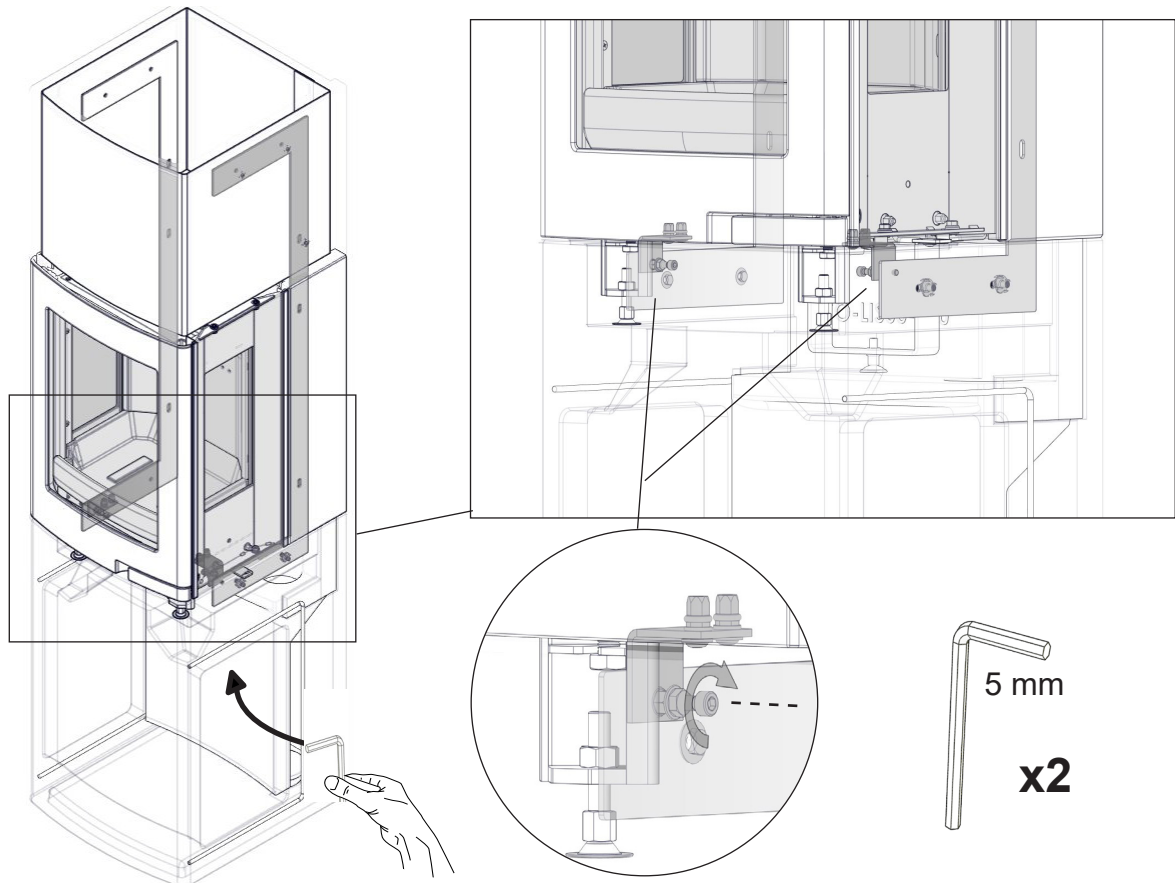


FIG 25

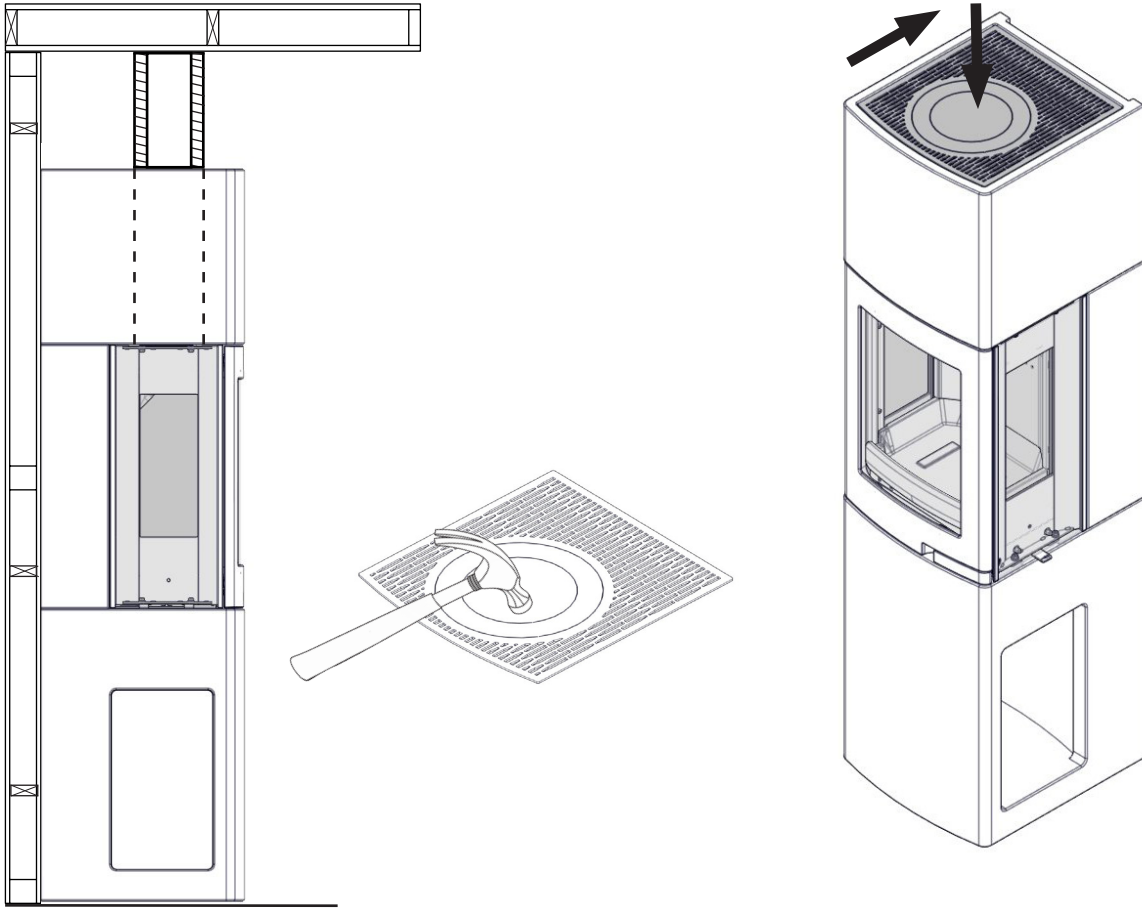
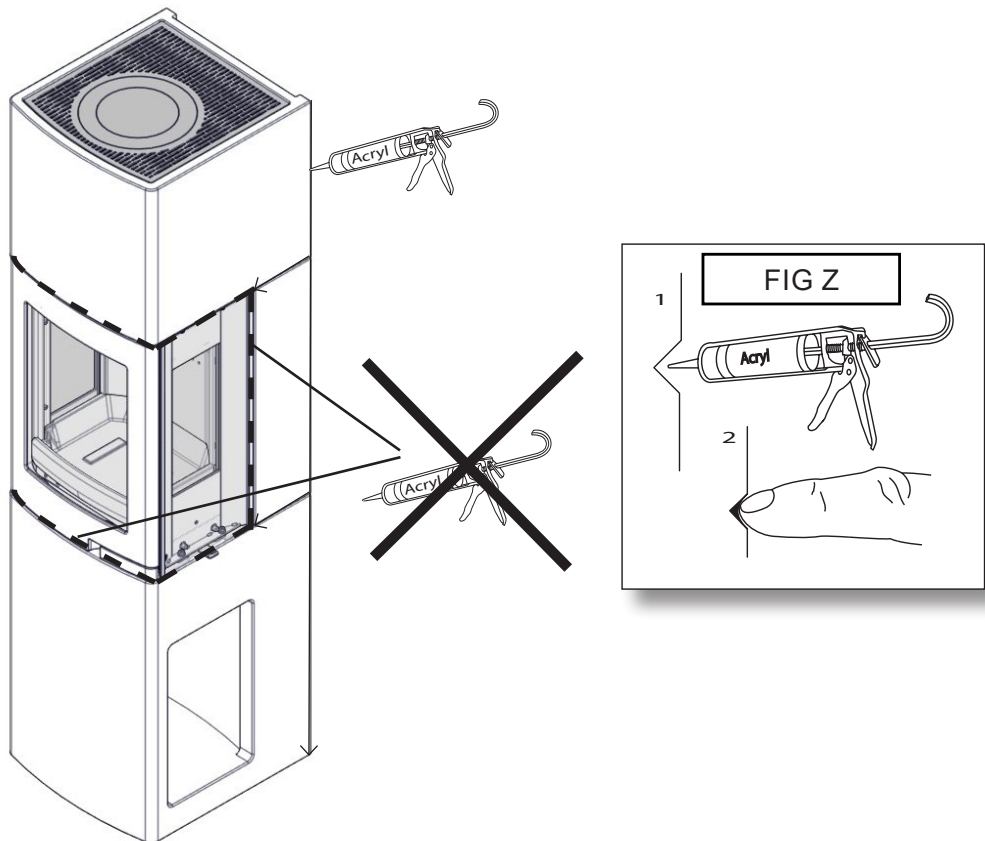


FIG 26



Thermotte - Assembling / Montageanleitung / Montage

FIG 27

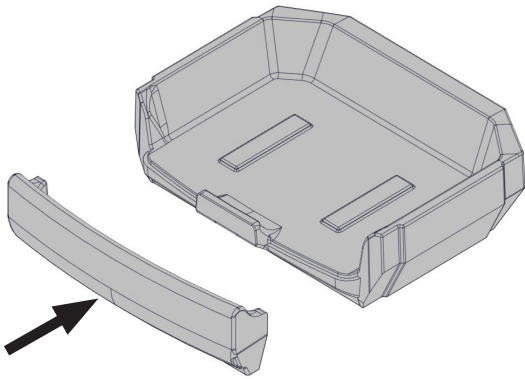


FIG 28

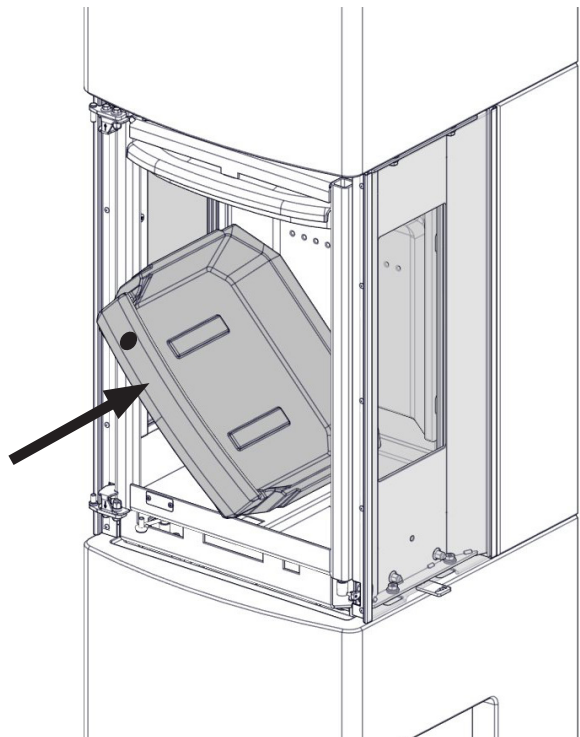


FIG 27a

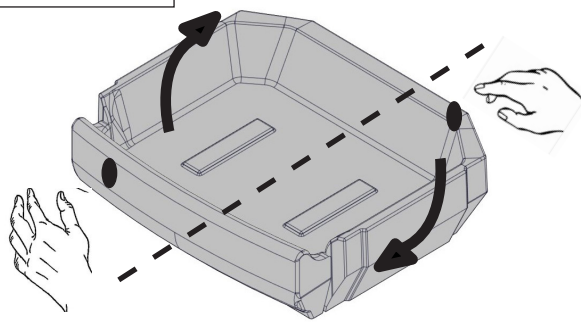


FIG 29

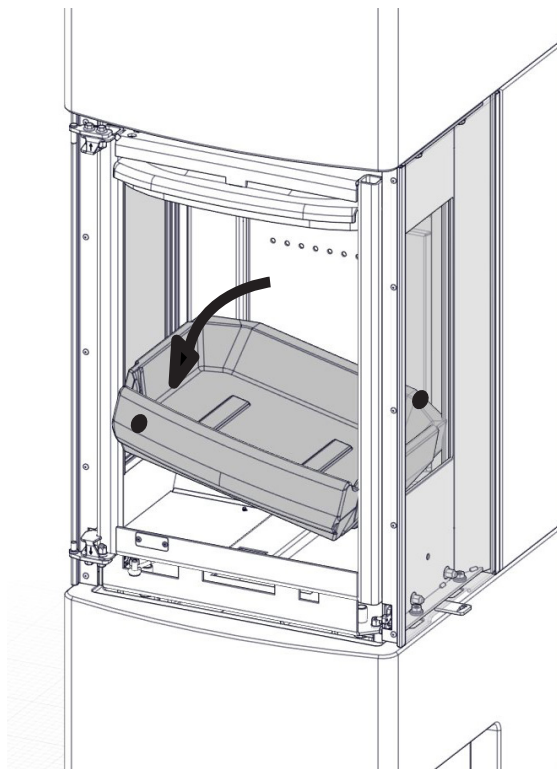


FIG 30

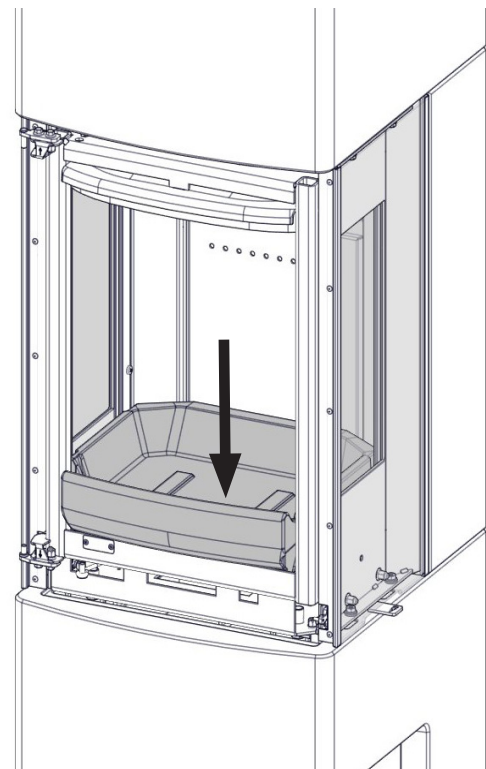


FIG 30a

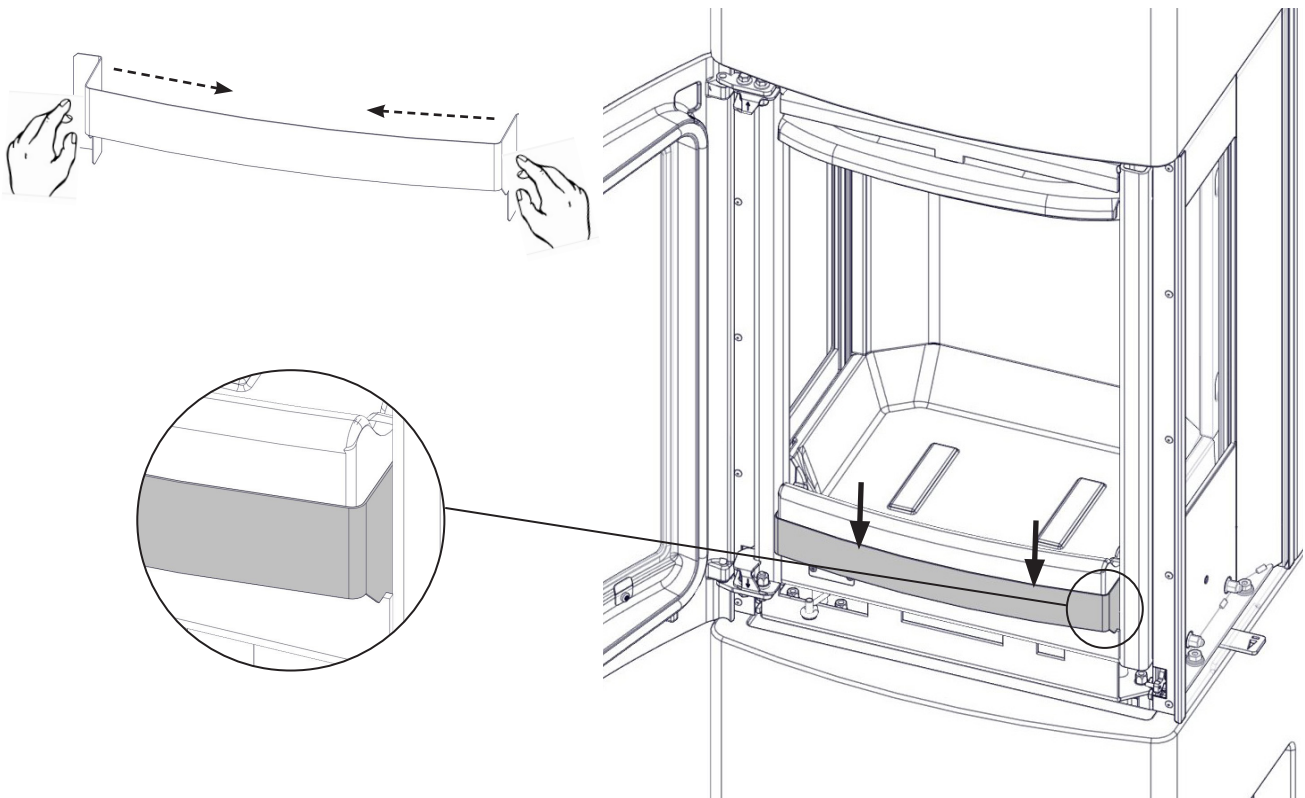


FIG 31

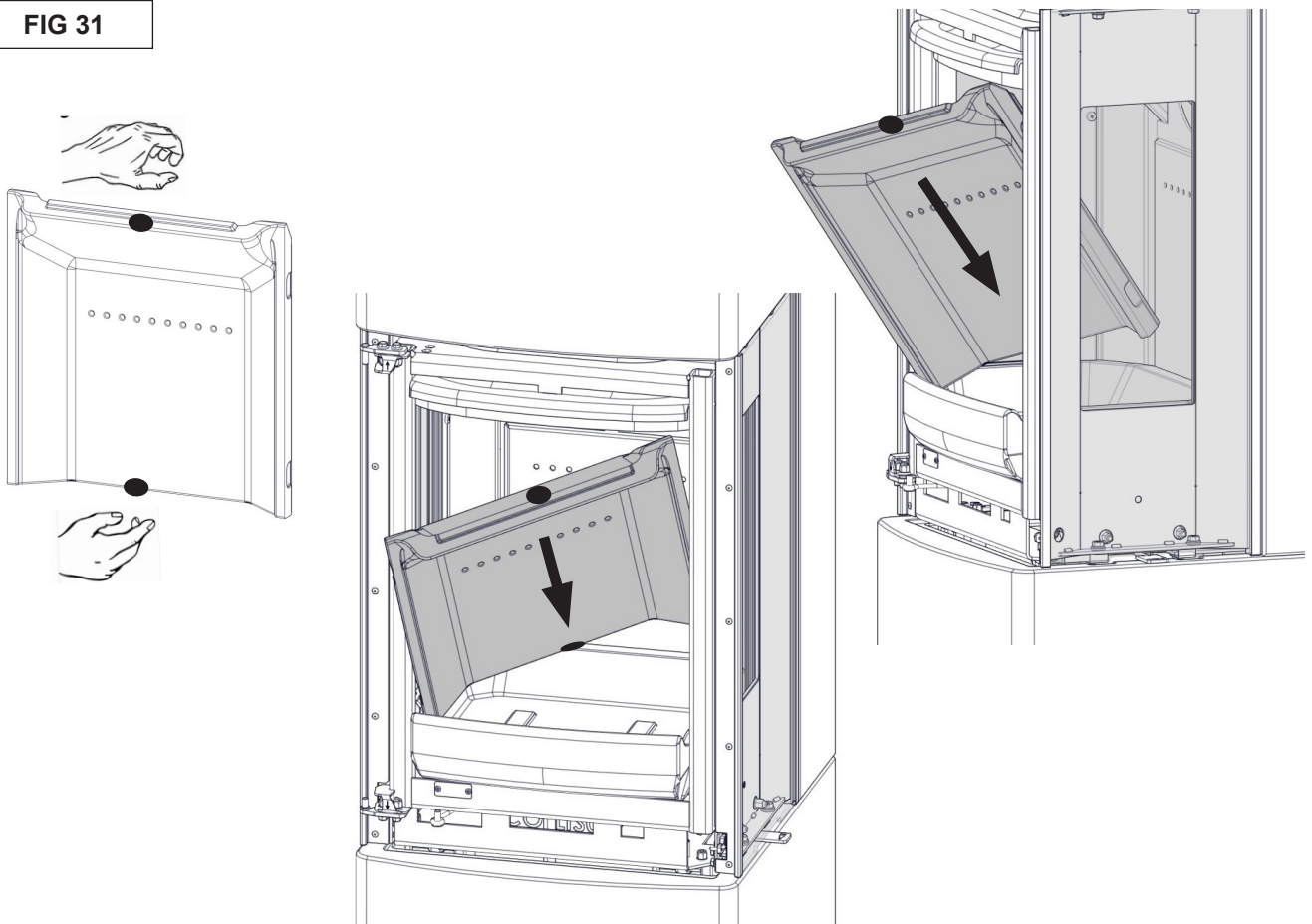


FIG 32

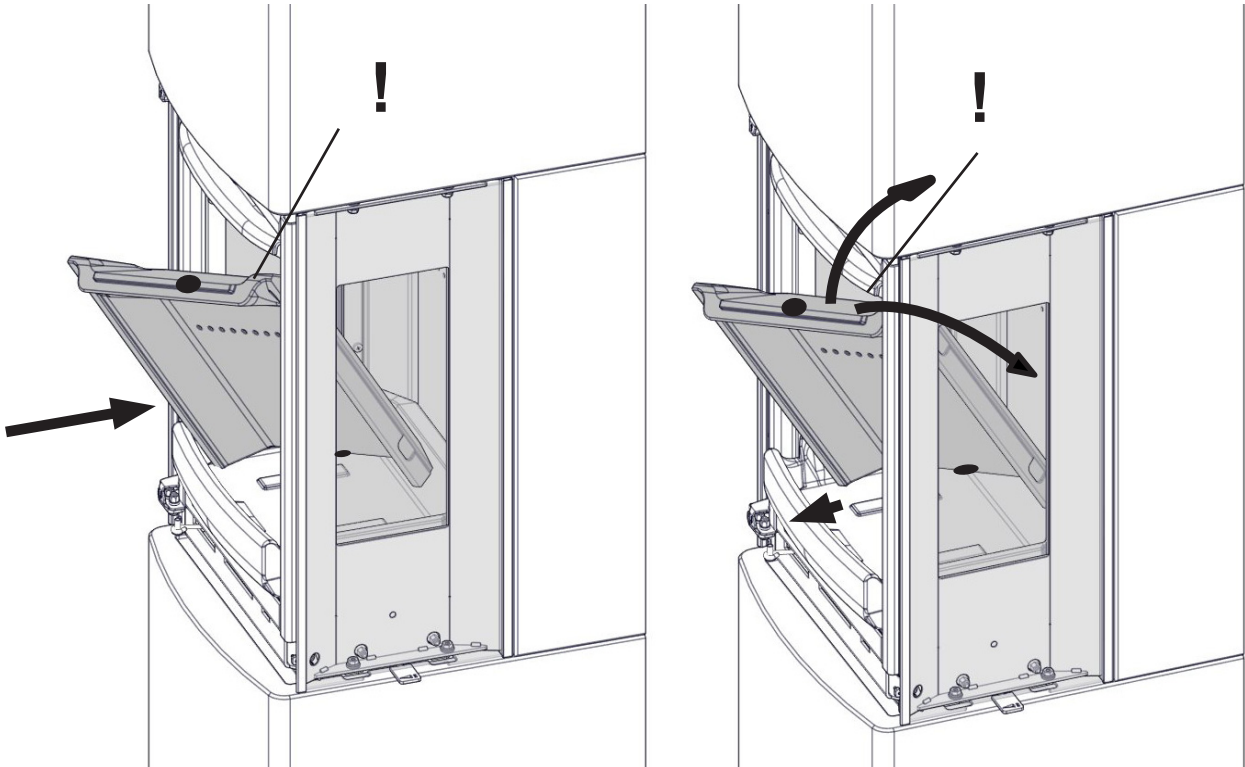


FIG 33

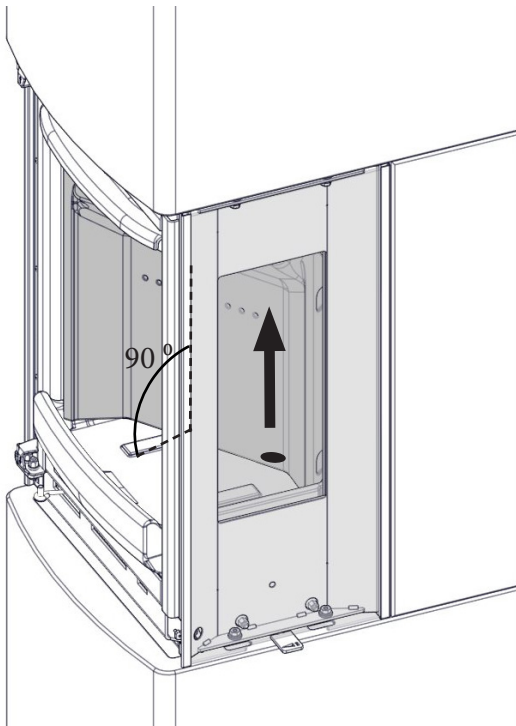


FIG 34

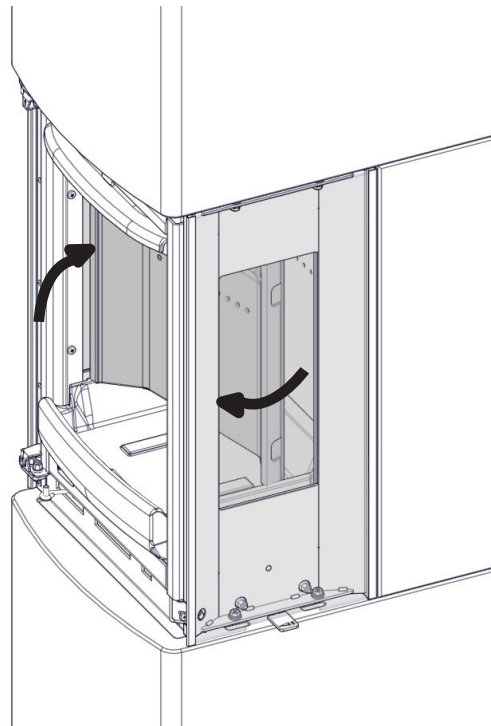


FIG 35

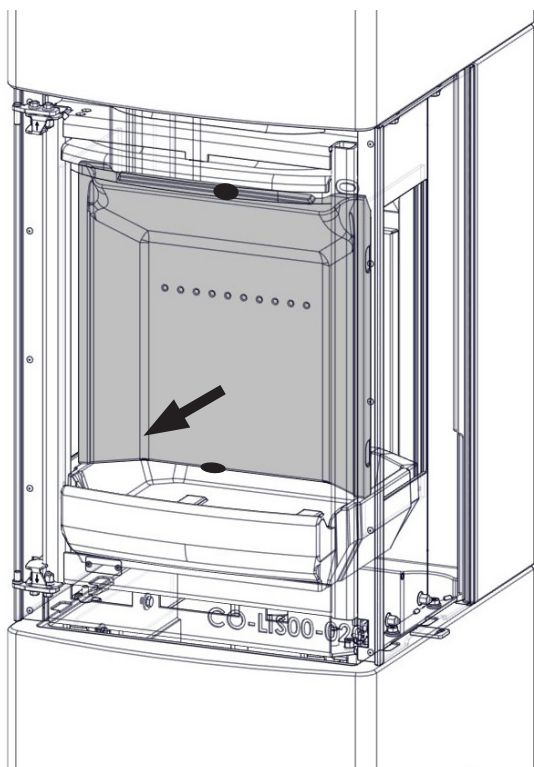


FIG 36

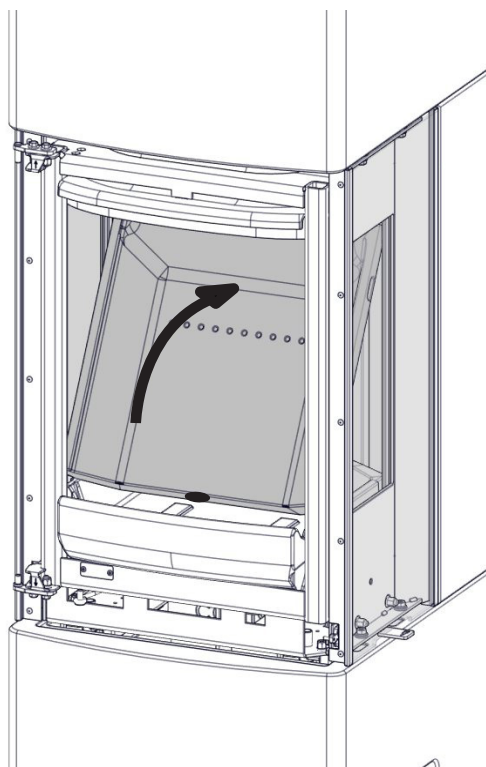
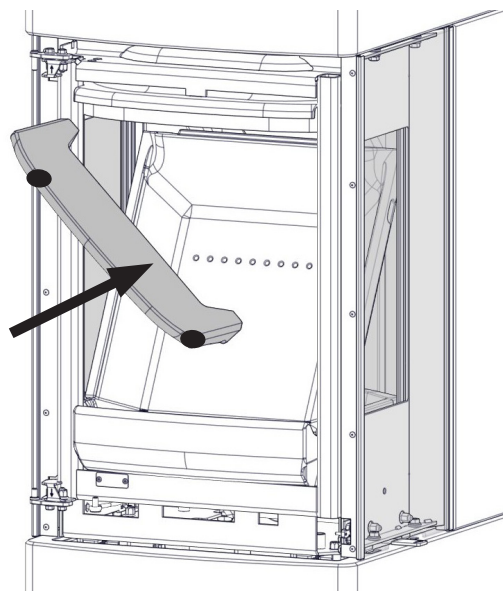
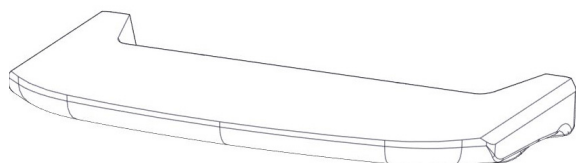
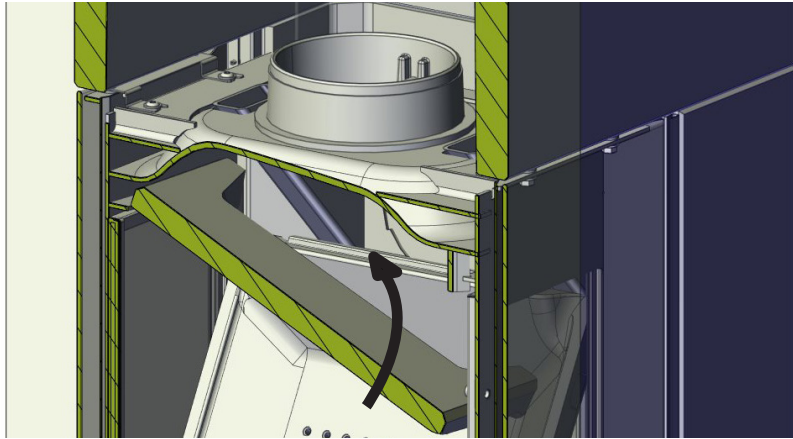


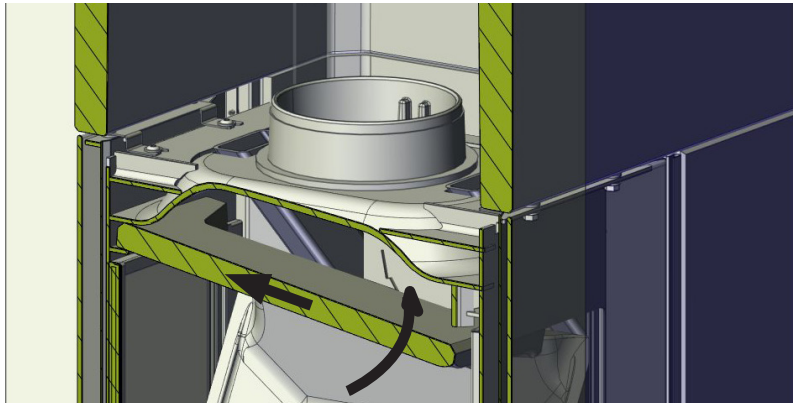
FIG 37



A



B



C

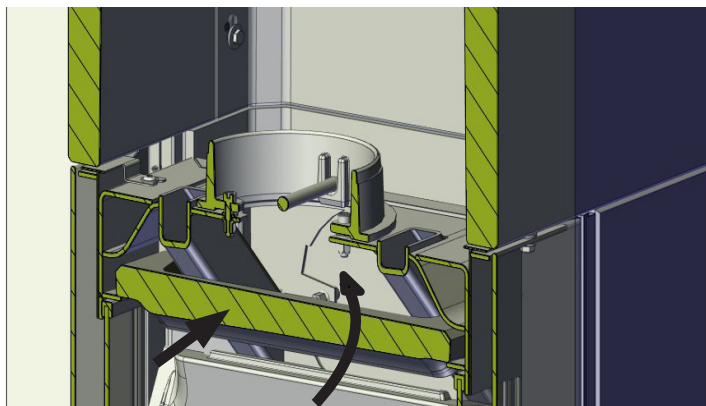


FIG 38

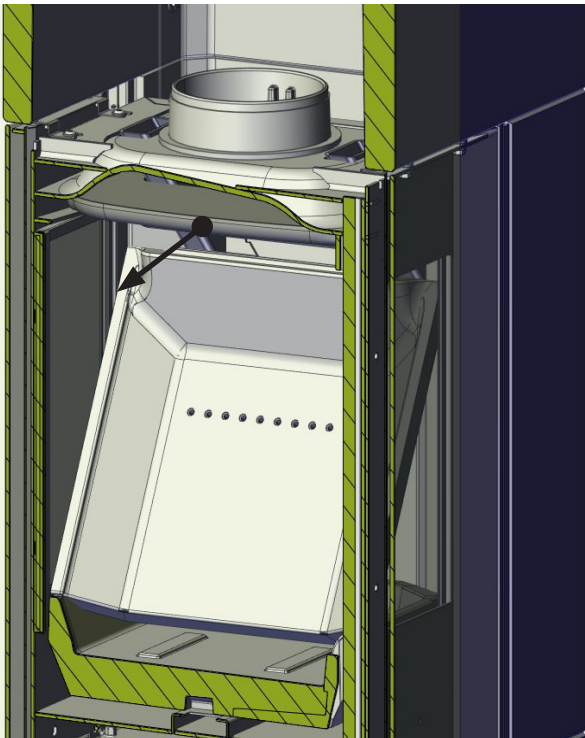


FIG 39

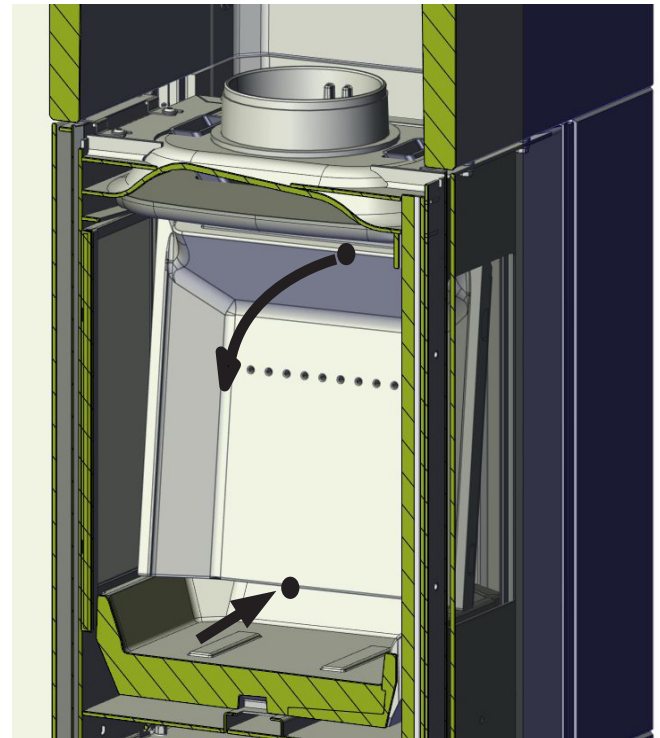


FIG 40

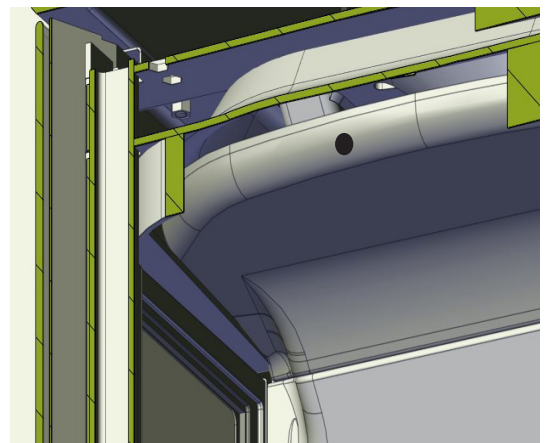
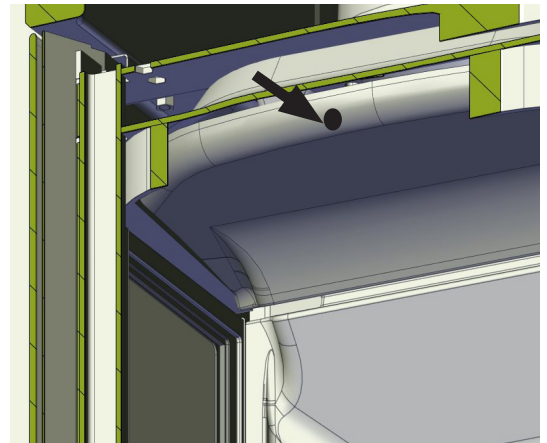
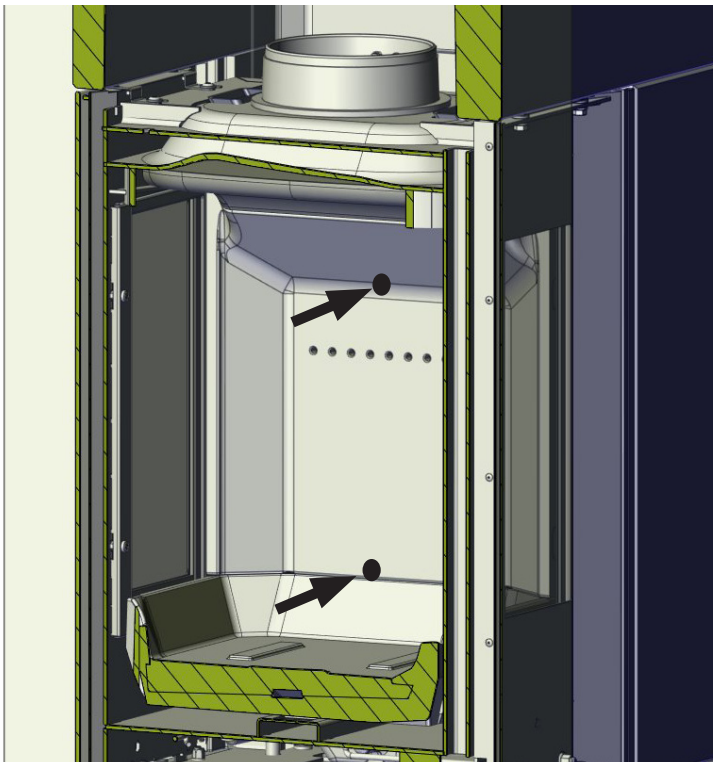
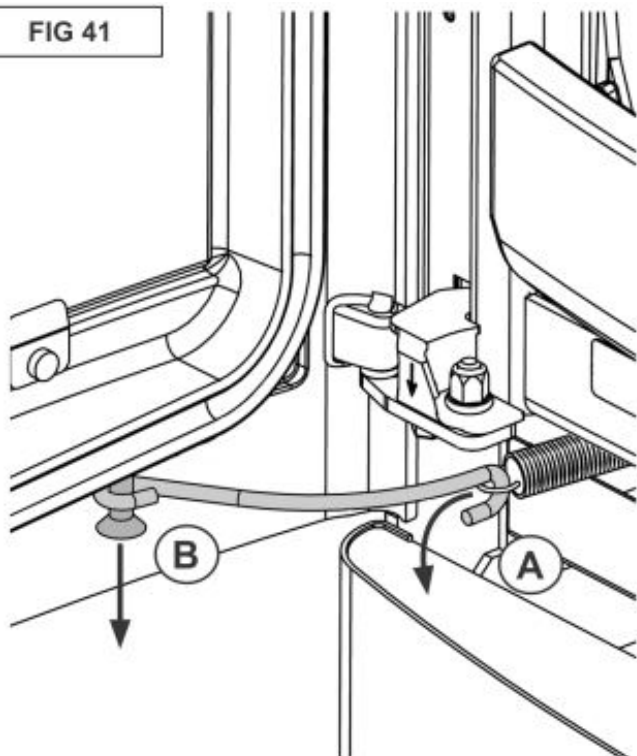
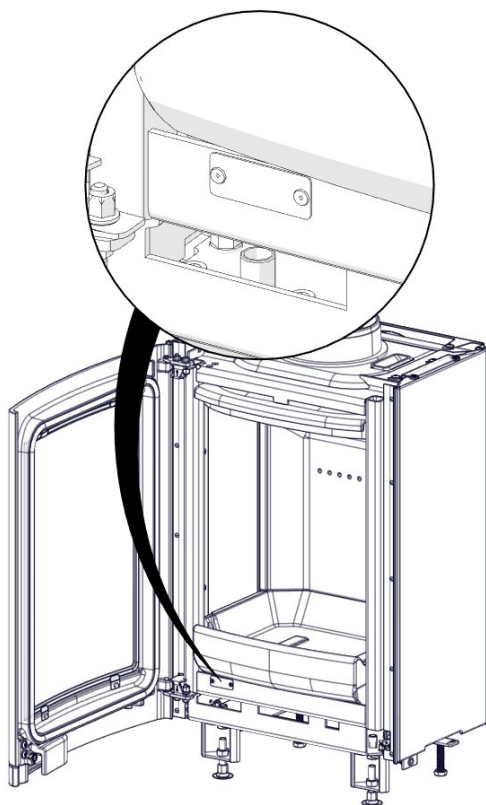



FIG 41



POSITION DER SERIENNUMMER / POSITION DU NUMÉRO DE SÉRIE



Nordpeis AS Gjellebekkstubben 11 3420 Lierskogen, Norway <i>Lisboa-CPR-2015/05/18</i>		
EN 13240:2001 / A2:2004 Lisboa Heating of living accomodation / Kamin zum Heizen mit festen Brennstoffen Year of Approval / Zulassungsjahr 2015		
Fire safety: Reaction to fire: Distance to combustible: Behind : Beside :	Feuersicherheit : Brandverhalten: Abstand zu brennbaren Materialien: Hinten : Seitlich :	A1 WT 0 mm 550 mm
Emission of combustion:	Emissionswerte:	CO: 0,07% vol NOx: 98mg/m ³ OGC: 51 mg/m ³ PM: 20 mg/m ³
Surface temperature: Machanical resistance: Cleanability: Thermal Output: Energy efficiency: Flue gas temperature:	Oberflächentemperatur: Mechanischer Widerstand: Reinigungsfähigkeit: Nennwärmeleistung - NWL: Wirkungsgrad: Abgastemperatur:	Pass / Bestanden Pass / Bestanden Pass / Bestanden 4 kW 82 % 262 °C
Fuel types:	Brennstoff:	Wood logs / Scheitholz
Intermittent burning / Zeitbrandfeuerstätte Read and follow the manual / Lesen und befolgen Sie die Bedienungsanleitung Double allocation is acceptable / Mehrfachbelegung des Schornsteins ist zulässig		
Complies with / Entspricht folgenden Standards: Art 15a B-VG; BlmSchV 1, 2 LRV of Switzerland; NS 3058 / 59		Test report / Prüfbericht Nr : RRF- 40 15 3968 SN:

Technical parameters for solid fuel local space heaters

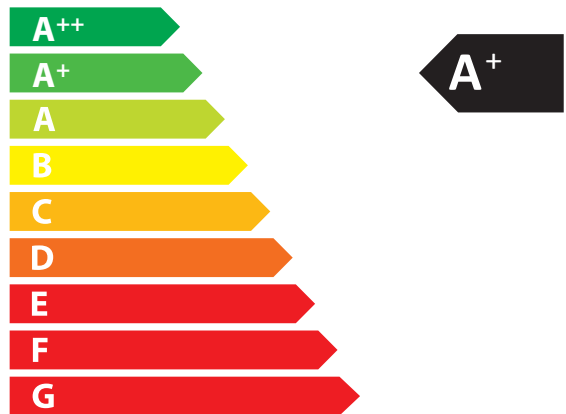
Model identifier(s): S-18							
Indirect heating functionality: no							
Direct heat output: 4 (kW)							
Fuel	Preferred fuel (only one):			Other suitable fuel(s):			
Wood logs with moisture content $\leq 25\%$	yes			no			
Compressed wood with moisture content $< 12\%$	no			no			
Other woody biomass	no			no			
Non-woody biomass	no			no			
Anthracite and dry steam coal	no			no			
Hard coke	no			no			
Low temperature coke	no			no			
Bituminous coal	no			no			
Lignite briquettes	no			no			
Peat briquettes	no			no			
Blended fossil fuel briquettes	no			no			
Other fossil fuel	no			no			
Blended biomass and fossil fuel briquettes	no			no			
Other blend of biomass and solid fuel	no			no			
Characteristics when operating with the preferred fuel							
Seasonal space heating energy efficiency η_s [%]: 82							
Energy Efficiency Index (EEI): 109,9							
Item	Symbol	Value	Unit	Item	Symbol	Value	Unit
Heat output				Useful efficiency (NCV as received)			
Nominal heat output	P_{nom}	4	kW	Useful efficiency at nominal heat output	$\eta_{th,nom}$	82	%
Auxiliary electricity consumption				Type of heat output/room temperature control (select one)			
At nominal heat output	el_{max}		kW	single stage heat output, no room temperature control		no	
At minimum heat output	el_{min}		kW	two or more manual stages, no room temperature control		yes	
In standby mode	el_{sb}		kW	with mechanic thermostat room temperature control		no	
				with electronic room temperature control		no	
				with electronic room temperature control plus day timer		no	
				with electronic room temperature control plus week timer		no	
				Other control options (multiple selections possible)			
				room temperature control, with presence detection		no	
				room temperature control, with open window detection		no	
				with distance control option		no	
Permanent pilot flame power requirement							
Pilot flame power requirement (if applicable)	P_{pilot}		kW				
Contact details		Name and address of the supplier: Nordpeis AS, Gjellebekkstubben 11, N-3420 LIERSKOGEN, Norway					



ENERG Y IJA
енергия · ενεργεια IE IA

Nordpeis AS.

Nordpeis S18



4,0
kW

ENERGIA · ЕНЕРГИЯ · ΕΝΕΡΓΕΙΑ · ENERGIJA · ENERGY · ENERGIE · ENERGI

2015/1186

 Nordpeis

Nordpeis AS, Gjellebekkstubben 11, N-3420 LIERSKOGEN, Norway
www.nordpeis.no