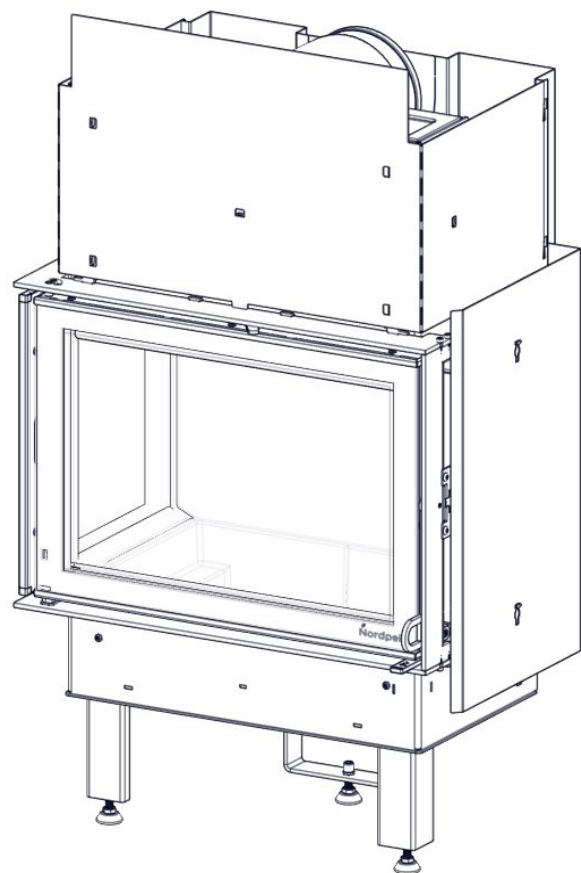
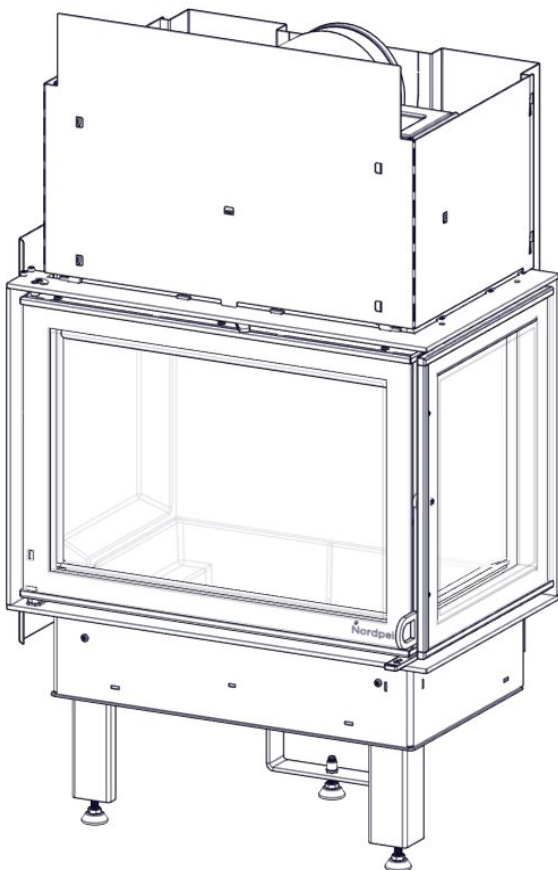


Ⓞ	GB	User manual	2
Ⓞ	DE	Montageanleitung	9
Ⓞ	FR	Manuel d'installation	19



Index

1. Prior to assembling the insert	2
Chimney Draft	2
Shared flue gas system	3
Air Supply	3
2. Technical Information	3
3. Safety distances	4
4. Assembly	4
Radiation shields	4
Assembling and adjusting the legs	4
Rear flue gas connection	4
Flue collar and connection	4
Assembling upper covers	4
Removing the self closing mechanism	4
Removing the door	4
Operational control	4
5. Lighting the fire for the first time	4
6. Maintenance	6
Cleaning and inspection	6
Ashes	6
Thermotte™	6
Door and glass	6
7. Warranty	7
8. Advice on lighting a fire	7
Some advice in case of combustion problems	8

1. Prior to assembling the insert

All our products are tested according to the latest European requirements and also **to the Norwegian standard NS 3058 and NS 3059**, which include particle tests. However, several European countries have local regulations for installation of fireplaces, which change regularly. It is the responsibility of the client that these regulations are complied with in the country/region where the fireplace is installed. Nordpeis AS is not responsible for incorrect installation.

Important to check

(please note that this list is not exhaustive):

- distance from firebox to combustible/flammable materials
- insulation materials/requirements between fireplace surround and back wall
- size of floor plates in front of fireplace if required
- flue connection between firebox and chimney
- insulation requirements if flue passes through a flammable wall
- an access for cleaning the appliance, the flue gas connector, the chimney flue must be provided

Chimney draft

Compared with older models, the clean burning inserts of today put significantly higher demands on the chimney. Even the best insert will not work properly if the chimney does not have the right dimensions or is not in good working order. The draught is mainly controlled by gas temperature, outside temperature, air supply as well as the height and inner diameter of the chimney. The diameter of the chimney should never be less than that of the flue/chimney collar. For draft requirements at nominal heat output, **see technical table**

The draught increases when:

- The chimney becomes warmer than the outside air
- The active length of the chimney over the hearth increases
- Good air supply to the combustion

It can be difficult to obtain the right draught conditions in case the chimney is too large relative to the insert, as the chimney does not heat up well enough. In such cases you may want to contact professional for evaluation of possible measures. Draught that is too strong can be controlled with a damper. If necessary, contact a chimney sweeper.

Attention! Adverse flue draught or adverse weather conditions, e. g. mist, wind etc., may interfere the necessary flue draught. This should be checked before lightening the fireplace. If there is no necessary flue draught in the chimney, the use of the fireplace should be avoided.

Shared flue gas system

Appliance can be connected to shared flue gas pipe system. In case of simultaneous operation with other heating appliances, there must be sufficient combustion air provided.

Warning! In case of the appliance connected to shared flue gas pipe system - the Self Closing Door system must be operational. See FIG 9

Air supply (mm=AIR)

A set for fresh air supply is available as an accessory. This will ensure that the air supply to the combustion chamber is less affected by ventilation systems, kitchen fans and other factors which can create a down-draught in the room. In all new constructions, we strongly recommend the product is designed and prepared for direct supply of outside air. In older houses also, the use of fresh air supply set is also recommended. Insufficient air supply can cause poor draught and thereby low combustion efficiency and the problems this entails: soot stains on the glass, inefficient utilisation of the wood and a soot deposits in the chimney.

Warning! Extractor fans when operating in the same room or space as the appliance may cause problem.

Warning: Keep the air intakes, supplying combustion and convection air free from blockage. If the requirements for ventilation are NOT complied with, the product can overheat. This can cause a fire.

For your own safety, fully comply with the assembly instructions. All safety distances are minimum distances. Installation of the insert must comply with the current rules and regulations of the country where the product is installed. Nordpeis AS is not responsible for wrongly assembled inserts.

Subject to errors and changes.

For the latest updated version of the manual go to www.nordpeis.eu

2. Technical information

Inserts from Nordpeis all have secondary combustion and are clean burning. The combustion takes place in two phases: first the wood burns and then the gases from the fumes are lit by the heated air. This ensures that new inserts have minimal emissions of soot particles and un-burnt gases (such as CO) and are thus better for the environment. Clean burning inserts require a small amount of wood to obtain good heat output. Use exclusively clean and dry wood. We recommend seasoned hardwood with a maximum moisture content of 20%.

Technical TABLE

Insert	N-20A
Material	Steel
Surface treatment	Heat resistant varnish / Decorative chrome
Weight of insert (kg)	100 kg
Draught system	Ignition air vent control and air vent control
Combustion system	Clean burning (Secondary combustion)
Combustion air consumption (m ³ /h)	9-25
Operating range, Clean burn (kW)	4,5-9
Maximum fuel length (cm)	40
Flue outlet	Top and rear
Flue collar (Ø mm)	Outer 150
*alternate versions exists due to national requirements	
Flue gas temperature at flue connector (°C)	246,5
Flue gas mass flow [g/s]	7,3
Draft at flue connector recommended (Pa)	14-25
Data according to EN 13 229	
Area of convection air vent under insert (cm ²)	300
Area of convection air vent over insert (cm ²)	450
Minimum distance conv. air outlet to ceiling (mm)	500
Nominal heat output (kW)	5,4
Efficiency (%)	81,9
CO @ 13% O ₂ (%)	0,09
Flue gas temperature (°C)	196,4
Draft (Pa)	>12
Fuel recommended:	Wood logs
Fuel length recommended (cm)	25-30
Fuel charge (kg)	1,1
Refueling interval (minutes)	45
Opening of the air vent control (%)	50
Operation*	Intermittent*

** Intermittent combustion refers to normal use of a fireplace, i.e. new wood is inserted when the previous load has burned down to ember*

3. Safety distances

Firewall

Ensure that the minimum safety distances are fulfilled (FIG 1).

When connecting a steel chimney to the top outlet use the security distances required by the manufacturer.

Important! When placing the insert on a combustible floor, a steel plate of at least 0.7mm must cover the entire floor surface inside the surround. Any flooring made of combustible material, such as linoleum, carpets etc. must be removed from underneath the steel plate.

The insert expands when in use, and for this reason the surround must NEVER rest on the insert, but have a gap of about 3 mm. The insert must neither rest on the bench plate or against the sides. It is recommended to dry stack the surround in order to adjust the insert prior to perforating the chimney for the flue connection.

The insert expands when in use, and for this reason the surround must NEVER rest on the insert, but must have a gap of about 3 mm.

Neither may the insert rest on the bench plate nor against the sides. It is recommended to dry stack the surround in order to adjust the insert, prior to perforating the chimney for the flue connection.

Attention! Our inserts are prepared for connection of the smoke pipe on the outside of the flue collar Ø150.

Assembling Front Heat Shield FIG 7

1. Assemble the front cover by bending its sides as shown in the drawings FIG 7A & FIG 7B.
2. Position the radiation shield cover as shown. Take care that the slots at the end of cover match the hooks of the rear cover - see FIG 7C

Multipurpose key

The insert is equipped with a handle, which is intended for operating air vents, opening and closing doors etc.- see FIG 8-FIG 8C.

Operational control

When the insert is in upright position, and prior to mounting the surround, check that all functions are easy to maneuver and appear satisfactory. See also FIG 8b & FIG 8c.

4. Assembly

FIG 3 - to FIG 7

Assembling the front legs FIG 3

The insert is delivered with adjustable legs. The legs are mounted on the insert using the bolts and washers provided – fasten as shown in the drawing.

Assembling the rear bracket leg FIG 4

The bracket, rear leg is also adjustable. Assemble the leg to the body using the bolts and washers provided. Attention! Front legs are shorter by approximately 50mm. Place spacers under the front legs when the insert is going to be put into an upright position – FIG 4b.

Air inlet - FIG 5

Assemble the air inlet as shown in the drawing. Fasten it with a screw using a torx key provided.

Rear flue gas connection FIG 6

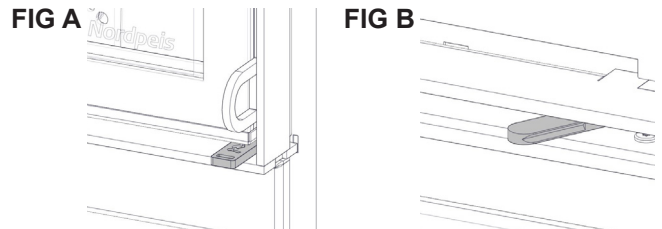
A chimney adapter is set in a rear chimney connection position. If you want to utilize the rear chimney connection, remove a lid from rear shield using a suitable tool.

Top flue gas connection FIG 6b

To utilize the top flue gas connection follow the steps below:

1. Unscrew fastening bolts using the tools provided.
2. Turn around the chimney adapter as shown on the drawing.
3. Screw in the bolts to the body.
4. Place a rod in the socket to stop a chimney sweeper ball.

A. Ignition vent control	B. Air vent control
Pushed in = closed Pull out = open	Left position = closed Right position = open



Removing the self-closing door mechanism FIG 9

In order to deactivate - follow instructions below:

- open the door,
- lock the spring by fastening the screw - FIG 9A,
- lift the door up and unfasten the screw – FIG 9B, when a noise could be heard the self-closing door is deactivated,
- lower the door back to its place.

5. Lighting a fire for the first time

When the insert is assembled and all instructions have been observed, a fire can be lit.

Take care when inserting logs into the burn chamber, in order not to damage the Thermotte plates.

This will be resolved once the humidity has evaporated.

If needed leave the door slightly open the first 2-3 times the insert is used.

It is advisable to ventilate the room well when using for the first time as the varnish on the product may release some smoke or smell. Both the smoke and smell will disappear and are not hazardous.

Warning!

In order to avoid injuries, please be aware that the surface may become hot during operation and extra care need to be taken to avoid skin burn.

Kindling wood

Finely chopped (diameter of 3-5cm)

Length: 25-30cm

Ca. amount pr lighting : 2 kg (beech)

Place the air vent control in ignition (FIG A) (Pull out). Insert small, dry pieces of wood, ignite and ensure the flames have taken proper hold of the wood. When the flames are stable and the chimney is warm, push in the air control out of the ignition mode and regulate the fire normally.

When there is a glowing layer of ash, new wood logs can be inserted. Pull the hot ember to the sides of the combustion chamber when inserting new logs so that the wood is ignited from the bottom. Insert 2 logs. One positioned diagonally to the bottom with left end closer to left front side of window pane. The second leaned against first one also diagonally in opposite direction. Set the air vent on 45% air valve opening. The fire should burn with bright and lively flames.

Reload size

Chopped wood - 2 logs (diametre of 6-9cm)

Length: 25-30cm

Normal load size. 1,46 kg /h

(Max load size: 2,5 kg/h)

Attention!

Using the insert with low combustion effect and firing around the clock increase pollution as well as the risk for a fire in the chimney. Never allow the insert or flue to become glowing red. Turn off the air vent control should this happen. Regulation of the air vent control takes some experience, but after a little while a natural rhythm for the fire will be found.

IMPORTANT! Always remember to open the air vent control (preferably also the door) before new wood logs are inserted into a hot burn chamber. Let the flames get a good grip on the wood before the air control setting is reduced.

When the draught in the chimney is low and the vent is closed, the gas from the firewood can be ignited with a bang. This can cause damage to the product as well as the immediate environment.

6. Maintenance

FIG 10 - to FIG 17

Cleaning and inspection

The insert should be inspected thoroughly and cleaned at least once per season (possibly in combination with the sweeping of the chimney and chimney pipes). How to get access to soot after a chimney sweep see drawing **FIG 10 and FIG 17**.

Ensure that all joints are tight and that the gaskets are rightly positioned. Exchange any gaskets that are worn or deformed.

Remember that the insert must always be cold when inspected. **The inspection shall be performed by the Professional servicemen.**

Ashes

The ashes should be removed at regular intervals. Be aware that the ashes can contain hot ember even several days after the fire is finished. Use a container of non-combustible material to remove the ashes. It is recommended to leave a layer of ashes in the bottom as this further insulates the burn chamber.

Take care with the Thermotte plates when the ashes are removed, particularly when using an ash shovel, so as not to damage them.

Thermotte™

The insulation plates (Thermotte) (FIG 2) are classified as "wear and tear" parts which will require to be exchanged after some years.

The wear time will depend on the individual use of your product.

Nordpeis offers a one-year warranty on these parts. After this, replacements can be purchased.

- A. Baffle plate
- B. Back plate
- C. Bottom front left
- D. Bottom front right
- E. Bottom plate left
- F. Bottom plate right
- G. Side plate right / left

In case it is necessary to take out the insulation plates, this is done in following order - see drawings from FIG 10 to FIG 15.

Please note: Wood logs that are too long can cause additional strain and crack the plates, due to the tension created between the side plates.

Door and Glass

Should there be any soot on the glass it may be necessary to clean it. Use dedicated glass cleaner, as other detergents may damage the glass. (NB! Be careful, even dedicated glass cleaner can damage the varnish on the door frame and the gaskets). A good advice for cleaning the glass is to use a damp cloth or kitchen roll paper and apply some ash from the burn chamber. Rub around the ash on the glass and finish off with a piece of clean and damp kitchen roll paper. NB! Only clean when the glass is cold.

Check regularly that the transition between the glass and the door is completely tight. Possibly tighten the screws that hold the glass in place - but not too hard, as this can cause the glass to crack.

Periodically, it may be necessary to change the gaskets on the door to ensure that the burn chamber is air tight and working optimally. These gaskets can be bought as a set, usually including ceramic glue.

**CERAMIC GLASS
CANNOT BE
RECYCLED**



Ceramic glass should be disposed of as residual waste, together with pottery and porcelain

Recycling of ceramic glass

Ceramic glass cannot be recycled. Old glass, breakage or otherwise unusable ceramic glass must be discarded as residual waste. Ceramic glass has a higher melting temperature, and can therefore not be recycled together with glass. If mixed with ordinary glass, it would damage the raw material and could, in worst case end the recycling of glass. It is an important contribution to the environment to ensure that ceramic glass does not end up with the recycling of ordinary glass.

Packaging Recycle

The packaging accompanying the product should be recycled according to national regulations.

7. Warranty

Warning!
Use replacement parts recommended only by the Manufacturer.

Warning!
Any unauthorized modification of the appliance without written permission of the Manufacturer are prohibited.

For detailed description of the warranty conditions see the enclosed warranty card or visit our website www.nordpeis.eu

The **CE mark** is placed on the side of the insert.

8. Advice on lighting a fire

The best way to light a fire is with the use of lightening briquettes and dry kindling wood. Newspapers cause a lot of ash and the ink is damaging for the environment. Advertising flyers, magazines, milk cartons and similar are not suitable for lighting a fire. Good air supply is important at ignition. When the flue is hot the draught increases and door can be closed

Warning: NEVER use a lighting fuel such as petrol, kerosene, alcohol or similar for lighting a fire. This could cause injury to you as well as damaging the product.

Warning: In order to avoid injuries, please be aware that the surface may become hot during operation. Be hot and that extra care needs to be taken to avoid skin burn.

Use clean and dry wood with a maximum moisture content of 20%. The wood should be dried for a minimum of 6 months after it is cut. Humid wood requires a lot of air for the combustion, as extra energy/heat is required for drying the humid wood and the heat effect is therefore minimal. This in addition creates soot in the chimney with the risk of creosote and chimney fire.

In case of a chimney fire, close the door and air supplies on the stove / insert and call the Fire Brigade. After a chimney fire the chimney must in all cases be inspected by an authorized chimney sweeper before you use the appliance again.

Storing of wood

In order to ensure that the wood is dry, the tree should be cut in winter and stored during the summer, covered and in a location with adequate ventilation. The wood pile must never be covered by a tarpaulin lying against the ground as the tarpaulin will then act as a sealed lid that will prevent the wood from drying. Always keep a small amount of wood indoors for a few days before use so that moisture in the surface of the wood can evaporate.

Usage

Not enough air to the combustion may cause the glass to soot. Hence, supply the fire with air just after the wood is added, so that the flames and gases in the combustion chamber are properly burnt. Open the air vent and have the door slightly ajar in order for the flames to establish properly on the wood.

Note that the air supply for the combustion also can be too large and cause an uncontrollable fire that very quickly heats up the whole combustion chamber to an extremely high temperature (when using with a closed or nearly closed door). For this reason you should never fill the combustion chamber completely with wood.

Warning!
The Firebox shall to be always closed except during ignition, refueling and ash removal.

Choice of fuel

All types of wood, such as birch, beech, oak, elm, ash and fruit trees, can be used as fuel in the insert. Wood species have different degrees of density - the more dense the wood is, the higher the energy value. Beech, oak and birch has the highest density.

Attention!

We do not recommend using fuel briquettes/ compact wood in our products. Use of such fuel may cause the product to overheat and exceed the temperatures determined safe. Burning briquettes/ compact wood is done so at your own risk and only small amounts (max 1/3 of normal load) should be used for each load.

Warning:

Make sure the insert is not overheated it can cause irreparable damage to the product. Such damage is not covered by the warranty.

Warning:

NEVER use impregnated wood, painted wood, plywood, chipboard, rubbish, milk cartons, printed material or similar. If any of these items are used as fuel the warranty is invalid.

Common to these materials is that during combustion they can form hydrochloric acid and heavy metals that are harmful to the environment, yourself and the insert. Hydrochloric acid can also corrode the steel in the chimney or masonry in a masonry chimney. Also, avoid burning with bark, sawdust or other extremely fine wood, apart from when lighting a fire. This form of fuel can easily cause a flashover that can lead to temperatures that are too high.

Source "Håndbok, effektiv og miljøvennlig vedfyring" by Edvard Karlsvik SINTEF Energy Research AS and Heikki Oravainen, VTT.

Some advice in case of combustion problems

Error	Explanation	Solution
No draught	The chimney is blocked.	Contact a chimney sweeper / dealer for more information or clean the flue, smoke baffle and burn chamber.
	The flue is sooty or there is accumulated soot on the smoke baffle.	
	The smoke baffle is wrongly positioned.	Verify the assembly of the smoke baffle - see assembly instructions.
The insert releases smoke when lighting the fire and during combustion	Downdraught in the room caused by no draught, that the house is too "air tight".	Light the fire with an open window. If this helps, more/bigger vents must be installed in the room.
	Downdraught in the room – caused by extractor and/or central ventilation system that pulls too much air out of the room.	Turn off/regulate extractor and/or other ventilation. If this helps, more vents must be installed.
	The flues from two fireplaces/stoves are connected to the same chimney at the same height.	One flue must be repositioned. The height difference of the two flue pipes must be of at least 30 cm.
	The flue is in a declining position from the smoke dome to the chimney.	The flue must be moved so that there is an inclination of at least 10° from smoke dome to chimney. Possibly install a smoke suction device*.
	The flue is too far into the chimney.	The flue must be reconnected so that it does not enter into the chimney but ends 5 mm before the chimney inner wall. Possibly install a smoke suction device*.
	Soot hatch in the basement or attic that is open and thus creating a false draught.	Soot hatches must always be closed. Hatches that are not tight or are defected must be changed.
	Damper/top draught vents or doors on fireplaces that are not in use are open and create a false draught.	Close damper, doors and top draught vents on fireplaces that are not in use.
	An open hole in the chimney after that a fireplace has been removed, thus creating a false draught.	Holes must be completely sealed off with masonry.
	Defect masonry in the chimney, e.g. it is not airtight around the flue pipe entry and/or broken partition inside the chimney creating a false draught.	Seal and plaster all cracks and sites that are not tight.
	The cross-section in the chimney is too large which results in no or very low draught.	The chimney must be refitted, possibly install a smoke suction device*.
	The cross-section in the chimney is too small and the chimney cannot carry out all the smoke.	Change to a smaller fireplace or build new chimney with a larger cross section. Possibly install a smoke suction device*.
The chimney is too low and hence a poor draught.	Increase the height of the chimney and/or install a chimney cap/ smoke suction device*.	
The fireplace releases smoke inside when it is windy outside.	The chimney is too low in relationship to the surrounding terrain, buildings, trees etc.	Increase the height of the chimney and/or install a chimney cap/ smoke suction device*.
	Turbulence around the chimney due to the roof being too flat.	Increase the height of the chimney and/or install a chimney cap/ smoke suction device*.
The fireplace does not heat sufficiently.	The fireplace combustion receives too much oxygen due to a leakage under the lower border of the insert or too strong chimney draught. Difficult to regulate the combustion and the wood burn up too quickly.	Any possible leakage must be sealed off. A draught regulator or possibly a damper can reduce the chimney draught. NB! A leakage of only 5 cm ² is enough for 30% of the heated air to disappear.
Too much draught	The smoke buffer is wrongly positioned.	Verify the positioning of the smoke buffer – see assembly instructions.
	In case of using oven-dried wood, this requires less air supply than when using normal wood.	Turn down the air supply.
	The gaskets around the door are worn and totally flat.	Replace the gaskets, contact your dealer.
	The chimney is too large.	Contact chimneysweeper or other professional for more details.
The glass is sooty	The wood is too wet.	Only use dry wood with a humidity of maximum 20%.
	The air vent control is closed too tightly.	Open the air vent control to add air to the combustion. When new wood logs are inserted all vent controls should be completely opened or the door slightly opened until the flames have a good take on the wood.
White glass	Bad combustion (the temperature is too low).	Follow the guidelines in this user guide for correct combustion.
	Using wrong material for combustion (such as: painted or impregnated wood, plastic laminate, plywood etc).	Ensure to use only dry and clean wood.
Smoke is released when the door is opened	A levelling out of pressure occurs in the burn chamber.	Open the air vent control for about 1 min before opening the door – avoid opening the door too quickly.
	The door is opened when there is a fire in the burn chamber.	Open the door carefully and/or only when there is hot ember.
White smoke	The combustion temperature is too low.	Increase the air supply.
	The wood is humid and contains water damp.	Ensure to use only dry and clean wood.
Black or grey/black smoke	Insufficient combustion.	Increase the air supply.

Inhalt

1. Vor der Montage	9
Schornsteinzug	9
Gemeinsam genutztes Rauchgassystem	10
Zuluft (=mm AIR)	10
Bodenplatte	10
2. Technische Informationen	10
3. Sicherheitsabstände	11
4. Montage	11
Montage der Vorderbeine	11
Montage des hinteren Halterungsbeins	11
Lufteinlass	11
Rauchgasanschluss an der Rückseite	11
Rauchgasanschluss an der Oberseite	11
Montage des vorderen Hitzeschutzblechs	11
Mehrzweckschlüssel	11
Funktionskontrolle	11
Entfernen der Tür	12
5. Erstbefeuern	12
6. Pflege	12
Reinigung und Inspektion	12
Asche	12
Thermotte™	12
Tür und Glas	13
7. Garantie	13
8. Hinweise zum Anzünden	13
9. Grundsätzliche Anforderungen	14
Hinweise bei Verbrennungsproblemen	17

1. Vor dem Aufbau des Gerätes

Alle unsere Geräte sind geprüft und entsprechen den neuesten europäischen Sicherheitsvorschriften.

Vor der Installation Ihres Gerätes beachten Sie bitte alle geltenden Bestimmungen. *1/ siehe Punkt 9 / Grundsätzliche Anforderungen. Nordpeis ist nicht für widerrechtliche oder inkorrekte Installation Ihres Gerätes verantwortlich.

Bitte prüfen Sie:

- Abstand zwischen Brennkammer und brennbarer Umgebung
- Anforderungen an das Isoliermaterial zwischen Verkleidung und Hinterwand
- Größe der Bodenplatte vor dem Gerät, falls Sie eine brauchen
- Rauchrohranschluß zwischen Brennkammer und Schornstein
- Anforderungen an das Isoliermaterial, falls das Rauchrohr durch eine brennbare Wand geht.

Schornsteinzug

Der Schornstein ist ein wichtiger Faktor für die volle Nutzung einer Feuerstätte. Selbst das beste Gerät wird schlecht funktionieren, wenn der Schornstein falsch dimensioniert oder nicht in einwandfreiem Zustand ist. Der Schornsteinzug ist in erster Linie von der Höhe und dem inneren Durchmesser des Schornsteins abhängig, sowie von der Rauchgas und Außentemperatur. Der Durchmesser des Schornsteins darf nie geringer als der Durchmesser des Rauchrohres sein. Mindestförderdruck bei Nennleistung mind. 12 Pa.

Der Zug (Förderdruck) wird stärker, wenn

- der Schornstein wärmer ist als die Außenluft
- bei längerem Schornstein
- gute Luftzufuhr bei der Verbrennung gewährleistet ist.

Wenn der Durchmesser des Schornsteins im Vergleich zur Feuerstätte zu groß ist, ist es schwierig einen guten Zug zu erzielen, da sich der Schornstein nicht genügend erwärmt. In diesem Fall holen Sie bitte den Rat des Fachmanns ein, der Sie sicher berät. Bei zu starkem Zug hilft ein Zugreduzierer. Falls notwendig, kontaktieren Sie einen Schornsteinfeger.

Hinweis! Ungünstige Zugverhältnisse oder widrige Witterungsbedingungen, z.B. Nebel, Wind usw., können den Rauchgaszug beeinträchtigen, der für das Befeuern erforderlich ist.

Diese Bedingungen sollten vor dem Anzünden des Kamins überprüft werden. Liegt der erforderliche Rauchgaszug im Schornstein nicht vor, sollte der Kamin nicht genutzt werden.

Gemeinsam genutztes Rauchgassystem

Das Gerät kann mit einem gemeinsam genutzten Rauchgasrohrsystem verbunden werden. Bei einem gleichzeitigen Betrieb mit anderen Heizgeräten muss eine ausreichende Verbrennungsluftmenge zugeführt werden.

Warnung! Wenn das Gerät mit einem mehrfach belegtem Schornstein verbunden wird, muss das selbstschließende Türsystem funktionsfähig sein. Siehe Absatz 4 Montage – selbstschließende Tür.

Zuluft (=mm AIR)

Als Zubehör gibt es ein Zuluft-Kit (Anschluss an die Außenluft).

Ggf. muss für eine zusätzliche Frischluftzufuhr gesorgt werden. *2/ siehe Punkt 9 Verbrennungsluft.

Warnung!
Lufteinlässe, durch die Verbrennungsluft strömt, dürfen nicht blockiert werden.

Warnung!
Aktive Abluftventilatoren im selben Raum oder Bereich wie das Gerät können Probleme verursachen.

Bodenplatte

Bei nicht feuerfestem Bodenbelag muss vor dem Gerät eine hitzebeständige Bodenplatte liegen. Diese muss die Feuerraumtüröffnung vorn um mindestens 500 mm und seitlich um mindestens 300 mm überragen.

Zu Ihrer eigenen Sicherheit halten Sie sich an die Montageanleitung. Alle Sicherheitsabstände sind Mindestabstände. Bei Installation Ihres Kamineinsatzes beachten Sie die länderspezifischen, örtlichen und baurechtlichen Vorschriften. Nordpeis trägt keine Verantwortung für falsch aufgestellte Einsätze.

Vorbehaltlich Druckfehler und Änderungen.

Für die neuesten Informationen gehen Sie bitte auf die Internetseite www.nordpeis.de.

2. Technische Information

Nordpeis-Geräte stellen eine neue Generation von Feuerstätten dar und sind freundlich zur Umwelt. Sie ermöglichen eine bessere Wärmenutzung, brennen sauber und geben bei korrekter Befuerung nur geringste Mengen Feinstaub und Kohlenstoff (CO) ab. Sauber brennende Feuerstätten verbrauchen weniger Holz.

Verwenden Sie ausschließlich reines und trockenes Brennholz mit max. 20% Feuchtigkeit.

Technische information

Einsatz	N-20A
Material	Stahl
Oberflächenbehandlung	Hitzebeständiger Lack
Gewicht (kg)	100
Verbrennungsluftsystem	Primärluftventil
Verbrennungsluftverbrauch (m ³ /h)	35-90
Betriebsbereich, saubere Verbrennung (kW)	4,5-9
Maximale Brennstofflänge (cm)	40
Abgasstutzen	oben oder hinten
Abgasstutzendurchmesser (in mm)	150
Abgastemperatur am Abgasstutzen (°C)	246,5
Abgasmassenstrom bezogen auf NWL (g/s)	7,3
Empfohlener Förderdruck im Abgasstutzen (Pa)	14-25
Daten gemäß EN 13 229	
Bereich der Verbrennungsluftöffnung unter dem Kamineinsatz (cm ²)	300
Bereich der Verbrennungsluftöffnung über dem Kamineinsatz (cm ²)	450
Mindestabstand zwischen Konvektionsluftaustritt zur Decke (mm)	500
Nennwärmeleistung (kW)	5,4
Wirkungsgrad (%)	81,9
CO bei 13% O ² (%)	0,09
Abgastemperatur (°C)	196,4
Förderdruck (Pa)	12
Empfohlener Brennstoff	Holzzscheite
Empfohlene Brennstofflänge (cm)	25-30
Aufgabemenge (kg)	1,1
Nachfüllintervall (Minuten)	45
Öffnung des Verbrennungsluftreglers (%)	40-50
Betriebsweise	Periodisch*

**Bei der normalen Kaminnutzung handelt es sich um eine periodische Verbrennung. Dabei wird Brennholz nachgelegt, sobald die vorher eingelegte Holzmenge zu Glut verbrannt ist.*

Achtung: Wenn die korrekte Luftzufuhr nicht gewährleistet ist, wird die Wärmezirkulation wesentlich herabgesetzt, das Gerät wird überhitzt und es besteht Brandgefahr.

3. Sicherheitsabstand zu brennbarem Material

Stellen Sie sicher, dass die minimalen Sicherheitsabstände eingehalten werden. (Abb. 1).

Falls Sie einen Schornstein aus Stahlelementen mit Anschluss "oben" anschließen, folgen Sie den vorgegebenen Sicherheitsabständen des Herstellers.

Wichtig:
Wenn der Kamineinsatz auf einem Fußboden aus brennbarem Material (Linoleum, Teppich etc.) aufgestellt wird, muss dieser aus dem Inneren der Kaminverkleidung entfernt werden.

Da sich der Kamineinsatz beim Heizen ausdehnt, darf die Kaminverkleidung nicht am Einsatz aufliegen. Der Mindestabstand beträgt 3 mm. Der Kamineinsatz darf auch nicht am Sockel oder an den Seitenteilen der Kaminverkleidung aufliegen. Bevor Sie ein Loch für das Rauchrohr in den Schornstein bohren, empfehlen wir, die Kaminverkleidung probeweise lose aufzustellen, um den Kamineinsatz in der Höhe anzupassen.

4. Aufbau

Montage der Vorderbeine, Abb. 3

Der Einsatz wird mit verstellbaren Beinen geliefert. Die Beine werden mit den beiliegenden Schrauben und Unterlegscheiben am Einsatz angebracht. Die Befestigung erfolgt gemäß Abbildung.

Montage des hinteren Halterungsbeins, Abb.4

Die Halterung des hinteren Beines ist verstellbar. Montieren Sie das Bein mithilfe der beiliegenden Schrauben und Unterlegscheiben am Gehäuse.

Achtung! Die Frontbeine sind um ca. 50 mm kürzer. Positionieren Sie Abstandshalter unter den Frontbeinen, wenn der Einsatz in eine aufrechte Position gebracht wird, siehe Abb. 4b.

Luftinlass, Abb. 5

Montieren Sie den Luftinlass gemäß Abbildung. Befestigen Sie ihn mit einer Schraube mithilfe des beiliegenden Torx-Schlüssels.

Rauchgasanschluss an der Rückseite, Abb. 6

Ein Anschlussstück für den Schornstein befindet sich in einer hinteren Schornstein-Anschlussposition. Wollen Sie den hinteren Schornsteinanschluss nutzen, entfernen Sie mithilfe eines geeigneten Werkzeugs den Deckel vom hinteren Blech.

Rauchgasanschluss an der Oberseite, Abb. 6b

Um den oberen Rauchgasanschluss zu nutzen, gehen Sie wie folgt vor:

1. Demontieren Sie die Befestigungsbolzen mithilfe der beiliegenden Werkzeuge.
2. Drehen Sie das Anschlussstück für den Kamin um, siehe Abbildung.
3. Montieren Sie die Schrauben am Gehäuse.
4. Positionieren Sie eine Stange in der Vertiefung, um die Schornsteinfegerkugel zu stoppen.

Der Einsatz erweitert sich, sobald er verwendet wird. Aus diesem Grund darf die Verkleidung NIEMALS auf dem Einsatz ruhen, sondern muss einen Abstand von etwa 3 mm aufweisen.

Der Einsatz darf auch nicht auf der Bankplatte oder auf den Seiten ruhen. Es wird empfohlen, die Verkleidung in Trockenmauerbauweise um den Einsatz anzupassen, bevor der Schornstein für den Rauchgasanschluss durchbohrt wird.

Achtung! Unsere Einsätze sind für einen Rauchgasrohranschluss an der Außenseite der Rauchgasmanschette (Ø) vorbereitet.

Montage des vorderen Hitzeschutzblechs, Abb. 7

1. Montieren Sie die vordere Abdeckung, indem Sie ihre Seiten biegen, siehe Abb. 7A und 7B.
2. Positionieren Sie die Wärmeschutzabdeckung wie angezeigt. Achten Sie darauf, dass die Schlitzte am Abdeckungsende mit den Haken der hinteren Abdeckung übereinstimmen, siehe Abb. 7c.

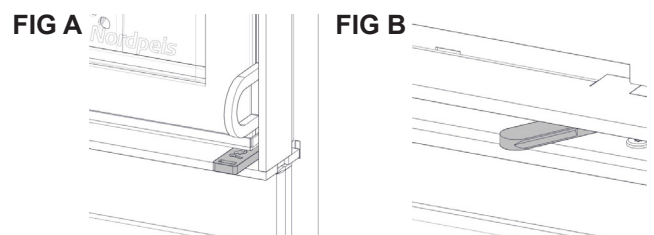
Mehrzweckschlüssel

Der Einsatz ist mit einem Griff versehen, der für den Betrieb von Luftklappen, das Öffnen und Schließen von Türen usw. bestimmt ist, siehe Abb. 8-8c.

Funktionskontrolle

Überprüfen Sie, ob sich alle Funktionen leicht und ordnungsgemäß ausführen lassen, wenn sich der Einsatz vor der Verkleidungsmontage in aufrechter Position befindet. Siehe auch Abb. 8 und 8b.

A. Zündluftregler	B. Luftklappenregelung
Hineingedrückt = geschlossen	Linke Stellung = geschlossen
Herausgezogen = geöffnet	Rechte Stellung = geöffnet



Entfernung des selbstschließenden Türmechanismus, Abb. 9

Befolgen Sie zum Deaktivieren folgende Anweisungen:

- Öffnen Sie die Tür.
- Sperren Sie die Feder, indem Sie die Schraube anziehen, siehe Abb. 9a.
- Heben Sie die Tür nach oben und lösen Sie die Schraube, siehe Abb. 9b. Ist ein Geräusch zu hören, wird die selbstschließende Tür deaktiviert.
- Senken Sie die Tür wieder in ihre Position ab.

5. Erstbefeuerung

Nachdem Ihr Gerät montiert ist und alle Anweisungen befolgt wurden, kann befeuert werden. Achten Sie beim Beladen der Brennkammer darauf, die Thermotteplatten nicht zu beschädigen. Da die Isolierplatten im Neuzustand noch Feuchtigkeit halten, kann es während der ersten Befeuerungen zu einer trägeren Verbrennung kommen. Führen Sie bei den ersten 2-3 Befeuerungen mehr Luft zu, indem Sie die Feuerraumtür nur angelehnt lassen. Dadurch verdunstet die überschüssige Feuchtigkeit. **Während der Erstbefeuerung empfehlen wir gutes Durchlüften, da der Lack des Gerätes Rauch und Geruch abgeben wird.** Rauch und Geruch sind unbedenklich und verschwinden schnell.

Anmachholz

Fein gehackt (Durchmesser 3-5 cm)

Länge: 25-30 cm

Ungefähre Befeuerungsmenge: 2 kg (Buche)

Bringen Sie die Luftklappenregelung in die Zündstellung (Abb. A, herausgezogen). Legen Sie kleine, trockene Holzscheite ein und entzünden Sie diese. Stellen Sie vor dem Schließen der Tür sicher, dass die Scheite ordnungsgemäß brennen. Brennen die Flammen stabil und ist der Schornstein warm, dann drücken Sie den Luftregler aus der Zündungsposition und regeln Sie das Feuer auf normale Weise.

Hat sich ein glühendes Aschebett gebildet, können weitere Holzscheite nachgelegt werden. Bewegen Sie vor dem Nachlegen die heiße Glut in den seitlichen Brennkammerbereich, damit sich das neue Holz von unten besser entzündet. Legen Sie zwei Scheite ein. Dabei ist einer diagonal zum Boden und mit dem linken Ende näher zur linken Scheibenvorderseite zu verlegen. Der zweite sollte an den ersten und in entgegengesetzter Richtung dazu gelehnt werden. Stellen Sie die Luftklappe auf 45% Luftventilöffnung ein. Das Feuer sollte mit hellen und kräftigen Flammen lodern.

Nachlegegröße

2 gehackte Holzscheite (Durchmesser 6-9 cm)

Länge: 25-30 cm

Normale Einlegegröße. 1,46 kg/h

(Max. Einlegegröße: 2,5 kg/h)

Es ist umweltschädlich, Ihr Gerät mit zu geringer Luftzufuhr arbeiten zu lassen. Ein ununterbrochenes Befeuern dagegen kann zum Schornsteinbrand führen. Der Ofen oder das Ofenrohr dürfen niemals rot glühen. Sollte dies doch passieren, schließen Sie das Sekundärluftventil / Regler für die Verbrennungsluft. Es braucht ein bisschen Erfahrung, das Sekundärluftventil / Regler für die Verbrennungsluft optimal zu bedienen. Nach einiger Zeit werden Sie Ihren eigenen Befeuerungsrhythmus finden.

Wichtig! Beim Nachlegen öffnen Sie immer das Sekundärventil und die Feuerraumtür ganz. Das Holz soll sich richtig gut entzünden, bevor Sie die Luftzufuhr reduzieren. Bei geringem Zug und geschlossenem Ventil können sich die Gase aus dem Holz mit einem Knall entzünden und Gerät und Umgebung schaden.

6. Pflege

Reinigung und Inspektion

Mindestens einmal pro Heizsaison ist der Einsatz gründlich zu untersuchen und zu reinigen (z.B. beim Fegen des Schornsteins und der Schornsteinrohre). Hinweise zum Schornsteinzugang zwecks Reinigung entnehmen Sie den Zeichnungen auf Abb. 10 und 17. Alle Verbindungen müssen dicht und alle Dichtungen müssen korrekt positioniert sein. Ersetzen Sie verschlissene oder deformierte Dichtungen.

Das Gerät muss vor Begutachtung ausgekühlt sein.

Asche

Die Asche muss regelmäßig entfernt werden. Bedenken Sie, dass sich einen Tag nach dem Befeuern noch immer Glut in der Asche befinden kann! Verwenden Sie einen nicht brennbaren, hitzeunempfindlichen Behälter, um die Asche zu entfernen. Wir empfehlen, eine dünne Schicht Asche in der Brennkammer zu belassen, da dies durch die isolierende Wirkung die nächste Befeuerung erleichtert.

Achten Sie beim Entleeren der Asche darauf, die Isolierplatten nicht zu beschädigen - Vorsicht mit der Aschenschaufel!

Thermotte™

Die Isolierplatten (Thermotte) sind als Verschleißteile eingestuft und müssen deshalb nach einigen Jahren ausgetauscht werden.

Die Verschleißzeit hängt von der individuellen Nutzung Ihres Produktes ab.

Nordpeis gibt auf diese Teile 1 Jahr Garantie. Danach können Ersatzteile gekauft werden.

- A. Umlenkplatte
- B. Rückseite
- C. Bodenplatte Front links
- D. Bodenplatte Front rechts
- E. Bodenplatte links
- F. Bodenplatte rechts
- G. Seitenplatte rechts / links

Falls es notwendig ist, die Feuerraumauskleidung herauszunehmen, gehen Sie bitte nach dieser Reihenfolge vor - siehe Zeichnungen auf Abb. 10-15.

Beachten Sie, dass zu lange Holzscheite Spannungsdruck auf die Platten ausüben und diese beschädigen oder brechen können.

Feuerraumtür und Sichtscheibe

Wenn die Sichtscheibe rußig ist, dürfen keine abschürfenden Reinigungsmittel verwendet werden. Verwenden Sie daher ein passendes Glasreinigungsmittel und vermeiden Sie, daß das Mittel mit dem Lack in Berührung kommt. Reinigungsmittel schaden dem Lack, falsche Reinigungsmittel schaden dem Glas! Ein guter Tipp ist, mit einem feuchten Lappen oder Küchenpapier etwas Asche aus der Brennkammer aufzunehmen und damit die Glasscheibe abzureiben. Dann mit einem frischen, feuchten Küchenpapier nachputzen. **Merke: Niemals im warmen Zustand das Glasreinigen!**

Kontrollieren Sie regelmäßig, daß die Übergänge zwischen Glas und Türrahmen dicht sind. Falls notwendig, ziehen Sie die Schraube, die das Glas befestigt, nach. (Nicht zu stark, das Glas kann brechen!)

In regelmäßigen Abständen sollten die Dichtungen ausgetauscht werden, damit Ihr Gerät gut dicht ist und optimal funktioniert.

**FEUERFESTES GLAS
KANN NICHT
WIEDERGEWONNEN
WERDEN**



**Feuerfestes Glas muss
als Restmüll, gemeinsam
mit Keramik und Porzellan
entsorgt werden**

Wiedergewinnung von feuerfestem Glas

Feuerfestes Glas kann nicht wiedergewonnen werden! Bruchglas und nicht wiederverwendbares, hitzebeständiges Glas muss als Restmüll entsorgt werden. Feuerfestes Glas hat eine höhere Schmelztemperatur und kann daher nicht mit dem Altglas entsorgt werden. Bei gemeinsamer Entsorgung mit Altglas, würde es die Wiedergewinnung des Rohmaterials aus dem Altglas

zerstören. Es stellt einen wichtigen Beitrag zur Umwelt dar, feuerfestes Glas nicht mit dem Altglas zu entsorgen, sondern als Sondermüll an Ihrer Entsorgungsstelle.

Entsorgung des Verpackungsmaterials

Die Produktverpackung soll vorschriftsmässig (länderspezifisch) entsorgt werden.

7. Garantie

Warnung!
**Verwenden Sie ausschließlich vom Hersteller
empfohlene Ersatzteile.**

Warnung!
**Unbefugte Modifikationen am Gerät ohne
schriftliche Genehmigung des Herstellers sind
verboten.**

Ausführliche Information über Garantieregelungen entnehmen Sie bitte der beiliegenden Garantiekarte oder unserer Internetseite www.nordpeis.de

**Garantie nur mittels datiertem Zahlungsbeleg gültig.
Die CE Plakette ist am Wärmeschutzblech hinten
am Einsatz angebracht.**

8. Tipps zur Befeuerung

Zum Anfeuern verwendet man am Besten Anzündwürfel und Schnittholz. Zeitungspapier macht viel Asche und außerdem ist Druckerschwärze schädlich für die Umwelt. Auch Flugblätter, Zeitschriften und alte Milchkartons sollen nicht im Kamin verbrannt werden. Beim Befeuern ist eine gute Luftzufuhr wichtig. Wenn der Schornstein erwärmt ist, herrscht besserer Zug und Sie können die Feuerraumtür schließen.

**Achtung: Verwenden Sie nie flüssige Brennstoffe
wie Petroleum, Paraffin oder Spiritus
zum Befeuern. Sie können sich verletzen und Ihrem
Gerät schaden.**

**Achtung! Um Verletzungen zu vermeiden, be-
achten Sie bitte, dass die Oberflächen während des
Betriebs heiß werden und besondere Vorsicht ge-
boten ist, um Verbrennungen zu vermeiden. Achten
Sie besonders auf Kinder.**

Es ist wichtig, immer reines, trockenes Holz zu verwenden; maximaler Feuchtigkeitsgehalt 20%; minimaler Feuchtigkeitsgehalt 16%.

Feuchtes Holz braucht viel Luft - also extra Energie und Wärme - zur Verbrennung; der Wärmeeffekt ist stark verringert; es verrußt den Schornstein und es kann sogar zum Schornsteinbrand kommen.

Warnung!
Schließen Sie bei einem Schornstein-brand die Tür sowie die Luftzufuhr der Kaminanlage bzw. Einsatz. Rufen Sie die Feuerwehr. Nach einem Schornsteinbrand muss der Schornstein in jedem Fall von einem zugelassenen Schornsteinfeger inspiziert werden, bevor das Produkt wieder verwendet werden darf.

Aufbewahrung des Holzes

Um trockenes Holz zu garantieren, soll der Baum im Winter gefällt werden und im Sommer zum Trocknen geschnitten, unter einem Dach, bei guter Ventilation aufbewahrt werden. Das Holz soll nicht mit einer Plastikplane abgedeckt sein, die bis zum Boden reicht, da dies wie eine Isolierung wirkt und das Holz nicht trocknen läßt. Lagern Sie immer ein paar Tage vor der Benutzung kleinere Mengen von Holz drinnen, damit die Feuchtigkeit an der Oberfläche des Holzes verdampfen kann.

Befeuern

Wenn zu wenig Verbrennungsluft zugeführt wird, kann das Glas verrußen. Deshalb ist es wichtig, gleich nach dem Beladen Luft zuzuführen; das schafft kräftige Flammen in der Brennkammer und es verbrennen auch die Gase. Öffnen Sie das Sekundärluftventil / Regler für die Verbrennungsluft und lehnen Sie die Feuerraumtür nur leicht an, so daß die Flammen gut greifen können.

Beachten Sie, daß eine zu hohe Luftzufuhr bei geschlossener Feuerraumtür Ihr Gerät auf extreme Temperaturen aufheizen kann und ein unkontrollierbares Feuer hervorruft. Deshalb sollen Sie nie die Brennkammer ganz mit Holz anfüllen.

Ihr Nordpeis-Gerät ist nur für Verbrennung von Schnittholz konstruiert und zugelassen. Überhitzen Sie niemals Ihr Gerät; es können irreparable Schäden verursacht werden, die von der Garantie nicht gedeckt werden.

Achtung: Es ist verboten, imprägniertes oder lackiertes Holz, Plastik, Furnier, Spanplatten, Milchkartons und jede Art von Abfall in Ihrem Gerät zu verbrennen. Diese Materialien entfachen bei der Verbrennung giftige, ätzende Gase wie Dioxin, die Ihnen, der Umwelt und Ihrem Gerät schaden.

Überhitzen Sie niemals Ihr Gerät; es können irreparable Schäden verursacht werden, die von der Garantie nicht gedeckt werden.

Achtung! Die Feuerraumtür muss immer geschlossen sein außer zum Anzünden, nachlegen oder Entfernen der Asche.

9. Grundsätzliche Anforderungen

Verbrennungsluft

Wenn Kamineinsätze/-kassetten raumluftabhängige Feuerstätten sind, die Ihre Verbrennungsluft aus dem Aufstellraum entnehmen, muss der Betreiber für ausreichende Verbrennungsluft sorgen. Bei abgedichteten Fenstern und Türen (z. B. in Verbindung mit Energiesparmaßnahmen) kann es sein, dass die Frischluftzufuhr nicht mehr gewährleistet ist, wodurch das Zugverhalten des s beeinträchtigt werden kann. Dies kann Ihr Wohlbefinden und unter Umständen Ihre Sicherheit beeinträchtigen. Ggf. muss für eine zusätzliche Frischluftzufuhr, z. B. durch den Einbau einer Luftklappe in der Nähe des Kamineinsatzes oder Verlegung einer Verbrennungsluftleitung nach außen oder in einen gut belüfteten Raum (ausgenommen Heizungskeller), gesorgt werden. Insbesondere muss sichergestellt bleiben, dass notwendige Verbrennungsluftleitungen während des Betriebes der Feuerstätte offen sind. Dunstabzugshauben, die zusammen mit Feuerstätten im selben Raum oder Raumluftverbund installiert sind, können die Funktion des Ofens negativ beeinträchtigen (bis hin zum Rauchaustritt in den Wohnraum, trotz geschlossener Feuerraumtür) und dürfen somit keinesfalls gleichzeitig mit dem Ofen betrieben werden.

Verbrennungsluftleitungen

Für die brandschutztechnischen Anforderungen an die Verbrennungsluftleitungen sind die Vorschriften der jeweiligen Landesbauordnung maßgebend. Verbrennungsluftleitungen in Gebäuden mit mehr als 2 Vollgeschossen und Verbrennungsluftleitungen, die Brandwände überbrücken, sind so herzustellen, daß Feuer und Rauch nicht in andere Geschosse oder Brandabschnitte übertragen werden können.

Absperrung für die Verbrennungsluftleitung

Die Verbrennungsluftleitung muß unmittelbar am offenen Kamin eine Absperrvorrichtung haben, die Stellung des Absperrventils muß erkennbar sein. Befinden sich andere Feuerstätten in den Aufstellräumen oder in Räumen, die mit Aufstellräumen in Verbindung stehen, müssen besondere Sicherheitseinrichtungen die vollständige Offenstellung der Absperrvorrichtung sicherstellen, solange die Absperrvorrichtung nach Abschnitt B oder die Feuerraumöffnung durch Feuerraumtüren, Jalousien oder dergleichen Bauteile nicht vollständig geschlossen ist.

Aufstellung und Verbrennungsluftversorgung

Die offenen Kamine dürfen nur in Räumen und an Stellen aufgestellt werden, bei denen nach Lage, baulichen Umständen und Nutzungsart Gefahren nicht entstehen. Insbesondere muß den Aufstellräumen genügend Verbrennungsluft zuströmen. Die Grundfläche des Aufstellraumes muß so gestaltet und so groß sein, daß die offenen Kamine ordnungsgemäß betrieben werden können. Offene Kamine dürfen nicht aufgestellt werden

- in Treppenträumen, außer in Wohngebäuden mit nicht mehr als zwei Wohnungen,
- in allgemein zugänglichen Fluren oder
- in Räumen, in denen leicht entzündliche oder explosionsfähige Stoffe oder Gemische in solcher

Menge verarbeitet, gelagert oder hergestellt werden, daß durch die Entzündung oder Explosion Gefahren entstehen.

Offene Kamine dürfen nicht in Räumen oder Wohnungen errichtet werden, die durch Lüftungsanlagen oder Warmluftheizungen mit Hilfe von Ventilatoren entlüftet werden, es sei denn, die gefahrlose Funktion des offenen Kamins ist sichergestellt.

Der Betrieb von offenen Kaminen wird nicht gefährdet, wenn

- die Anlagen nur Luft innerhalb eines Raumes umwälzen,
- die Anlagen Sicherheitseinrichtungen haben, die Unterdruck im Aufstellraum selbsttätig und zuverlässig verhindern oder
- die für die offenen Kamine erforderlichen Verbrennungsluftvolumenströme und die Volumenströme der Entlüftungsanlagen trotz Verstellung der Entfernung leicht zugänglicher Regeleinrichtungen von Entlüftungsanlagen insgesamt keinen größeren Unterdruck in den Aufstellräumen der offenen Kamine und den Räumen des Lüftungsverbundes als 0,04 mbar bedingen.

Offene Kamine dürfen nur in Räumen aufgestellt werden, die mindestens eine Tür ins Freie oder Fenster haben, das geöffnet werden kann oder mit anderen derartigen Räumen unmittelbar oder mittelbar in einem Verbrennungsluftverband stehen; bei Aufstellung in Wohnungen oder sonstigen Nutzungseinheiten dürfen zum Verbrennungsluftverband nur Räume derselben Wohnung oder Nutzungseinheit gehören. Offene Kamine dürfen in vorgenannten Räumen nur errichtet oder aufgestellt werden, wenn ihnen mindestens 360 m³ Verbrennungsluft je Stunde und m² Feuerraumöffnung zuströmen können. Befinden sich andere Feuerstätten in den Aufstellräumen oder in Räumen, die mit den Aufstellräumen in Verbindung stehen, so müssen den offenen Kaminen nach dieser Norm mindestens 540 m³ Verbrennungsluft je Stunde m² Feuerraumöffnung und anderen Feuerstätten außerdem mindestens 1,6 m³ Verbrennungsluft je Stunde und je kW Gesamtnennwärmeleistung bei einem rechnerischen Druckunterschied von 0,04 mbar gegenüber dem Freien zuströmen können.

Anmerkung: Wie die ausreichende Verbrennungsluftversorgung verwirklicht werden kann, läßt sich zum Beispiel dem Muster einer Feuerungsverordnung und dem Muster einer Ausführungsanweisung zum Muster einer Feuerungsverordnung entnehmen; die Muster sind in den Mitteilungen des Deutschen Instituts für Bautechnik veröffentlicht.

Betrieb mehrerer Feuerstätten

Beim Betrieb mehrerer Feuerstätten in einem Aufstellraum oder in einem Luftverbund ist für ausreichend Verbrennungsluftzufuhr zu sorgen.

Anforderungen im Hinblick auf den Schutz des Gebäudes

- Von der Feuerraumöffnung bzw. - sofern fest eingebaut
- von der raumseitigen Vorderkante des Feuerbocks nach vorn und nach den Seiten gemessen, müssen Fußböden aus brennbaren Baustoffen bis zu folgenden Abständen durch einen ausreichenden dicken Belag aus nichtbrennbaren Baustoffen geschützt sein:
 - nach vorn entsprechend der Höhe des Feuerraumbodens bzw. des Feuerbocks über dem Fußboden zuzüglich 30 cm, jedoch mindestens 50 cm,
 - nach den Seiten entsprechend der Höhe des Feuerraumbodens bzw. des Feuerbocks über dem Fußboden zuzüglich 20 cm, jedoch mindestens 30 cm.

Wird ein Stehrost von mindestens 10 cm Höhe fest eingebaut, so genügen die vorgenannten Mindestabstände, und zwar abweichend vom Stehrost gemessen.

Bauteile aus brennbaren Baustoffen oder brennbaren Bestandteilen und Einbaumöbeln im Strahlungsbereich der offenen Kamine

Von der Feuerraumöffnung müssen nach vorn, nach oben und nach den Seiten mindestens 80 cm Abstand zu Bauteilen aus brennbaren Baustoffen oder brennbaren Bestandteilen sowie zu Einbaumöbeln eingehalten werden; bei Anordnung eines auf beiden Seiten belüfteten Strahlungsschutzes genügt ein Abstand von 40 cm.

Bauteile aus brennbaren Baustoffen oder brennbaren Bestandteilen und Einbaumöbeln außerhalb des Strahlungsbereiches der offenen Kamine

Von den Außenflächen der Verkleidung des offenen Kamins müssen mindestens 5 cm Abstand zu Bauteilen aus brennbaren Baustoffen oder brennbaren Bestandteilen und zu Einbaumöbeln eingehalten werden. Der Zwischenraum muß der Luftströmung so offen stehen, daß Wärmestau nicht entstehen kann. Bauteile, die nur kleine Flächen der Verkleidung des offenen Kamins verdecken wie Fußböden, stumpf angestoßene Wandverkleidungen und Dämmschichten auf Decken und Wänden, dürfen ohne Abstand an die Verkleidung herangeführt werden.

Breitere streifenförmige Bauteile aus brennbaren Baustoffen wie Zierbalken sind vor der Verkleidung des offenen Kamins im Abstand von 1 cm zulässig, wenn die Bauteile nicht Bestandteil des Gebäudes sind und die Zwischenräume der Luftströmung so offen stehen, daß Wärmestau nicht entstehen kann.

Die offenen Kamine sind so aufzustellen, daß sich seitlich der Austrittsstellen für die Warmluft innerhalb eines Abstandes von 50 cm bis zu einer Höhe von 50

cm über den Austrittsstellen keine Bauteile mit brennbaren Baustoffen, keine derartigen Verkleidungen und keine Einbaumöbel befinden.

Tragende Bauteile aus Beton oder Stahlbeton

Die offenen Kamine sind so aufzustellen, daß sich seitlich der Austrittsstellen für die Warmluft innerhalb eines Abstandes von 50 cm bis zu einer Höhe von 50 cm über den Austrittsstellen keine tragenden Bauteile aus Beton oder Stahlbeton befinden.

Holzbalken

Holzbalken dürfen nicht im Strahlungsbereich des Kamineinsatzes angebracht werden. Holzbalken über offenen Kaminen müssen mit einem Mindestabstand von 1 cm voll umlüftet sein. Eine direkte Verankerung mit Wärmebrücken ist nicht statthaft.

Dämmschichten

Dämmschichten sind zu erreichen aus Steinfaserplatten der Klasse A 1 nach DIN 4102 Teil 1 mit einer Anwendungsgrenztemperatur von mindestens 700 °C bei Prüfung nach DIN 52 271 und einer Rohdichte von mehr als 80 kg/m³ anzubringen. Die Mindeststärke beträgt 100 mm. Sofern diese Platten nicht von Wänden, Verkleidungen oder angrenzenden Platten allseitig gehalten werden, sind sie im Abstand von etwa 30 cm zu befestigen. Soweit die Dämmschichten nicht bis an die seitliche Verkleidung oder Anbauwand der offenen Kamine reichen, sind sie mindestens 10 cm über die Außenseite von Dämmschichten auf den Feuerraumwänden hinauszuführen.

Das Dämmmaterial muss mit der entsprechenden Dämmstoffkennziffer gem. AGI-Q 132 gekennzeichnet sein, wie z. B. für Rockwool Steinfaser-Brandschutzplatte RPB-12 die Kennziffer 12.07.21.75.11.

Verbindungsstück

Der Stutzen für das Verbindungsstück befindet sich in der Decke des Heizeinsatzes und hat einen Außendurchmesser von max. 150 mm. Der Anschluß an den Schornstein erfolgt mit einem 90°- oder 45°-Bogen, wobei der 45°-Anschluß wegen des geringeren Strömungswiderstandes zu bevorzugen ist. Der Anschluß an den Schornstein sollte mit einem eingemauerten Wandfutter erfolgen.

Das Verbindungsstück ist aus Formstücken aus Schamotte für Hausschornsteine oder Blechrohren aus mindestens 2 mm dickem Stahlblech nach DIN 1623, DIN 1700, DIN 17 200 und entsprechenden Formstücken herzustellen. Abgasrohre innerhalb der Verkleidung des offenen Kamins müssen mit mindestens 3 cm dicken formbeständigen, nichtbrennbaren Dämmstoffen der Klasse A 1 nach DIN 4102 Teil 2, wie im Abschnitt Dämmschichten beschrieben, ummantelt werden; an die Stelle des Maßes 3 cm muß das Maß 6 cm eingehalten werden, wenn die Verkleidung des Abgassammlers aus Metall besteht. Dies gilt nicht, soweit das Verbindungsstück zur konvektiven Erwärmung der Raumluft bestimmt ist. Verbindungsstücke aus austenitischen, nichtrostenden

Stählen müssen mindestens 1 cm dick sein.

Anmerkung: Anforderungen an das Verbindungsstück nach DIN 18 160 Teil 2.

Warmluftführung

Die Aluflexrohre zur Führung der Warmluft müssen mit Stahlbandschellen an den Warmluftstutzen und Gittern befestigt und mit 40 mm starken Mineralwollfasermatten isoliert werden.

Bezeichnungen von Kamineinsätzen und Kaminkassetten

Bei Kamineinsätzen/-kassetten mit selbstschließenden Feuerraumtüren ist ein Anschluss an einen bereits mit anderen Öfen und Herden belegten Schornstein möglich, sofern die Schornsteinbemessung gem. DIN EN 13384-1 bzw. DIN EN 13384-2, dem nicht widerspricht. Kamineinsätze/-kassetten mit selbstschließenden Feuerraumtüren müssen – außer beim Anzünden, beim Nachfüllen von Brennstoff und der Entaschung – unbedingt mit geschlossenem Feuerraum betrieben werden, da es sonst zur Gefährdung anderer, ebenfalls an den Schornstein angeschlossener Feuerstätten und zu einem Austritt von Heizgasen kommen kann.

Kamineinsätze/-kassetten ohne selbstschließende Sichtfenstertüren müssen an einen eigenen Schornstein angeschlossen werden. Der Betrieb mit offenem Feuerraum ist nur unter Aufsicht statthaft.

Für die Schornsteinberechnung ist DIN EN 13384-1 bzw. DIN EN 13384-2 anzuwenden.

Der Kamineinsatz N-20A ist eine Zeitbrand-Feuerstätte.

Anheizen

Es ist unvermeidlich, dass beim ersten Anheizen durch Austrocknen von Schutzfarbe eine Geruchsbelästigung entsteht, die nach kurzer Betriebsdauer beendet ist. Während des Anheizens sollte der Aufstellraum gut belüftet werden. Ein schnelles Durchlaufen der Anheizphase ist wichtig, da bei Bedienungsfehlern höhere Emissionswerte auftreten können. Sobald das Anzündmaterial gut angebrannt ist, wird weiterer Brennstoff aufgelegt. Verwenden Sie zum Anzünden nie Spiritus, Benzin oder andere brennbare Flüssigkeiten. Das Anfeuern sollte immer mit etwas Papier, Kleinholz und in kleinerer Menge Brennstoff erfolgen. In der Anheizphase führen Sie dem Ofen sowohl Primär- als auch Sekundärluft zu. Anschließend wird die Primärluft geschlossen und der Abbrand über die Sekundärluft gesteuert. Lassen Sie den Ofen während dieser Anbrennphase nicht unbeaufsichtigt.

Zulässige Brennstoffe

Zulässiger Brennstoff ist Scheitholz mit einer Länge von 40 cm und einem Durchmesser von 10 cm. Es darf nur lufttrockenes Scheitholz verwendet werden. Die Verfeuerung von Abfällen und insbesondere Kunststoff ist laut Bundesimmissionsschutzgesetz verboten. Darüber hinaus schadet dies der Feuerstätte und dem Schornstein. Lufttrockenes Scheitholz mit maximal 20 % Wasser wird durch eine mindestens

einjährige (Weichholz) bzw. zweijährige Trockenzeit (Hartholz) erreicht. Holz ist kein Dauerbrand-Brennstoff, so dass ein Durchheizen der Feuerstätte mit Holz über Nacht nicht möglich ist.

Nennwärmeleistung, Verbrennungslufteinstellungen und Abbrandzeiten

Die Nennwärmeleistung des Ofens beträgt 5,4 kW. Sie wird bei einem Mindestförderdruck von 12 Pa erreicht.

Brennstoff	Scheitholz
max. Aufgabemenge	2,5 kg/h
Primärluftschieber	zu
Abbrandzeit	0,75 h

Heizen in der Übergangszeit

In der Übergangszeit, d. h. bei höheren Außentemperaturen, kann es bei plötzlichem Temperaturanstieg zu Störungen des Schornsteinzuges kommen, so daß die Heizgase nicht vollständig abgezogen werden. Die Feuerstätte ist dann mit geringeren Brennstoffmengen zu befüllen und bei größerer Stellung des Primärluftschiebers/-reglers so zu betreiben, daß der vorhandene Brennstoff schneller (mit Flammentwicklung) abbrennt und dadurch der Schornsteinzug stabilisiert wird. Zur Vermeidung von Widerständen im Glutbett sollte die Asche öfter vorsichtig abgeschürt werden.

Reinigen der offenen Kamine

Die offenen Kamine müssen so beschaffen und aufgestellt sein, daß Raumluftleitungen leicht gereinigt werden können, die Abstandsflächen zu Decken, Wänden und Einbaumöbeln leicht eingesehen und freigehalten werden können und die Reinigung der Verbindungsstücke und Schornsteine nicht erschwert wird.

Der Kamineinsatz, Rauchgaswege und Rauchrohre sollten jährlich – evtl. auch öfter, z. B. nach der Reinigung des Schornsteines – nach Ablagerungen untersucht und ggf. gereinigt werden. Der Schornstein muss ebenfalls regelmäßig durch den Schornsteinfeger gereinigt werden. Über die notwendigen Intervalle gibt Ihr zuständiger Schornsteinfegermeister Auskunft. Der sollte jährlich durch einen Fachmann überprüft werden.

Ersatzteile

Es dürfen nur Ersatzteile verwendet werden, die vom Hersteller ausdrücklich zugelassen bzw. angeboten werden. Bitte wenden Sie sich bei Bedarf an Ihren Fachhändler.

Die Feuerstätte darf nicht verändert werden! Undichtigkeiten überprüfen lassen.

Hinweise bei Verbrennungsproblemen

Fehler	Erläuterung	Lösung
Kein Zug	Der Schornstein ist blockiert.	Kontaktieren Sie einen Schornsteinfeger/Händler für weitere Informationen oder reinigen Sie Rauchgasrohr, Rauchumlenkblech und Brennkammer.
	Rauchgasrohr oder Rauchumlenkblech sind verrußt.	
	Das Rauchumlenkblech ist nicht korrekt positioniert.	Überprüfen Sie die Rauchumlenkblechmontage, siehe Montageanleitung.
Der Einsatz raucht beim Befeuern und während der Verbrennung.	Da kein Zug vorhanden ist, herrscht ein Abwärtszug im Raum. Das Haus ist zu luftdicht.	Entzünden Sie das Feuer bei geöffnetem Fenster. Wenn dies hilft, müssen mehr/größere Abzüge im Raum installiert werden.
	Es besteht ein Abwärtszug im Raum, der von einem Abzug und/oder einem zentralen Lüftungssystem verursacht wird. Dadurch wird dem Raum zu viel Luft entzogen.	Schalten Sie den Abzug aus/regulieren Sie ihn und/oder die Lüftung. Wenn dies hilft, müssen mehr Abzüge im Raum installiert werden.
	Die Rauchgasrohre von zwei Kaminen/Kaminöfen sind auf gleicher Höhe an denselben Schornstein angeschlossen.	Ein Rauchgasrohr muss neu positioniert werden. Der Höhenunterschied zwischen den beiden Rauchgasrohren muss mindestens 30 cm betragen.
	Das Rauchgasrohr ist fallend vom Rauchgassammler zum Schornstein positioniert.	Das Rauchgasrohr muss so positioniert werden, dass zwischen Rauchgassammler und Schornstein eine Neigung von mind. 10° besteht. Installieren Sie nach Möglichkeit ein Rauchabzugsgerät.
	Das Rauchgasrohr reicht zu weit in den Schornstein.	Das Rauchgasrohr muss erneut angeschlossen werden. Es darf nicht so tief in den Schornstein reichen und muss 5 mm vor der inneren Schornsteinwand enden. Installieren Sie nach Möglichkeit ein Rauchabzugsgerät.
	Die Rußklappe im Unter- oder Dachgeschoss ist offen und erzeugt einen falschen Zug.	Die Rußklappen müssen stets geschlossen sein. Klappen, die nicht dicht oder defekt sind, müssen ausgetauscht werden.
	Nicht verwendete Dämpfer/obere Abzüge oder Kamin Türen sind offen und erzeugen einen falschen Zug.	Schließen Sie die nicht verwendeten Dämpfer, Türen und oberen Abzüge.
	Im Schornstein liegt nach dem Entfernen eines Kaminofens eine Öffnung vor und erzeugt einen falschen Zug.	Öffnungen müssen komplett zugemauert und somit abgedichtet werden.
Das Mauerwerk im Schornstein ist defekt, d.h. es liegt keine Luftdichtheit um den Rauchgasrohreingang vor und/oder die Abtrennung im Schornstein ist defekt und erzeugt einen falschen Zug.	Abdichtung und Putz sind rissig und Bereiche sind nicht dicht.	

	Der Schornsteinquerschnitt ist zu groß und erzeugt keinen oder einen zu geringen Zug.	Der Schornstein ist zu reparieren. Installieren Sie nach Möglichkeit ein Rauchabzugsgerät.
	Der Schornsteinquerschnitt ist zu klein und der Rauch kann nicht komplett aus dem Schornstein entweichen.	Wechseln Sie zu einem kleineren Kamin oder errichten Sie einen neuen Schornstein mit einem größeren Querschnitt. Installieren Sie nach Möglichkeit ein Rauchabzugsgerät.
	Der Schornstein ist zu niedrig und weist dementsprechend einen geringen Zug auf.	Verlängern Sie den Schornstein in der Höhe und/oder installieren Sie einen Schornsteinaufsatz/ein Rauchabzugsgerät*.
Bei Wind gelangt Rauch über den Kamin ins Innere.	Der Schornstein ist im Verhältnis zur Umgebung, Gebäuden, Bäumen usw. zu niedrig.	Verlängern Sie den Schornstein in der Höhe und/oder installieren Sie einen Schornsteinaufsatz/ein Rauchabzugsgerät.
	Aufgrund des zu flachen Dachs entstehen um den Schornstein Turbulenzen.	Verlängern Sie den Schornstein in der Höhe und/oder installieren Sie einen Schornsteinaufsatz/ein Rauchabzugsgerät.
Der Kamin heizt nicht ausreichend.	Aufgrund einer Undichtigkeit unter der unteren Einsatzgrenze oder eines zu starken Schornsteinzugs wird der Verbrennung im Kamin zu viel Sauerstoff zugeführt. Die Verbrennung lässt sich schwer regeln und das Holz verbrennt zu schnell.	Jede mögliche Undichtigkeit ist abzudichten. Ein Zugregler oder sofern möglich ein Dämpfer können den Schornsteinzug reduzieren. Hinweis! Eine Undichtigkeit von 5 cm ² reicht aus, dass 30% der erhitzten Luft verschwinden.
Zu viel Zug	Die Position des Rauchgassammlers ist nicht korrekt.	Überprüfen Sie die Rauchgassammlerposition, siehe Montageanleitung.
	Bei Verwendung von ofengetrocknetem Holz ist eine geringere Luftzufuhr als bei herkömmlichem Holz erforderlich.	Regeln Sie die Luftzufuhr herunter.
	Die Dichtungen um die Tür sind verschlissen und flach	Ersetzen Sie die Dichtungen, kontaktieren Sie den Händler.
	Der Schornstein ist zu groß.	Kontaktieren Sie für weitere Einzelheiten Ihren Schornsteinfeger oder anderes Fachpersonal.
Das Glas ist verrußt.	Das Holz ist zu feucht.	Verwenden Sie nur trockenes Holz mit einem max. Feuchtigkeitsgehalt von 20%.
	Der Luftregler ist zu stark geschlossen.	Öffnen Sie den Luftregler, um der Verbrennung Luft zuzuführen. Sind die neuen Holzscheite eingelegt, müssen alle Luftregler vollständig geöffnet bzw. die Tür ein wenig geöffnet werden, bis das Holz ausreichend entflammt ist.
Weißes Glas	Schlechte Verbrennung (zu niedrige Temperatur).	Befolgen Sie für eine korrekte Verbrennung die Richtlinien dieses Benutzerhandbuchs.
	Falsches Verbrennungsmaterial (z.B.: lackiertes oder imprägniertes Holz, Schichtstoffplatten aus Kunststoff, Sperrholz usw.).	Verwenden Sie ausschließlich sauberes und trockenes Holz.
Beim Öffnen der Tür tritt Rauch aus.	Eine Druckabflachung in der Brennkammer tritt auf.	Öffnen Sie den Luftregler für ca. 1 min, bevor Sie die Tür öffnen. Öffnen Sie die Tür nicht zu schnell.
	Die Tür wird geöffnet, obwohl noch Flammen in der Brennkammer zu sehen sind.	Öffnen Sie die Tür vorsichtig und/oder nur bei heißer Glut (keine Flamme mehr sichtbar)
Weißer Rauch	Die Verbrennungstemperatur ist zu niedrig.	Erhöhen Sie die Luftzufuhr.
	Das Holz ist feucht und enthält Wasserdampf.	Verwenden Sie ausschließlich sauberes und trockenes Holz.
Schwarzer oder grau-schwarzer Rauch	Die Verbrennung ist unzureichend.	Erhöhen Sie die Luftzufuhr.

INDEX

1. Avant d'assembler l'insert	19
Tirage de la cheminée	19
L'apport d'air	19
Plaque de sol	20
2. Informations techniques	20
3. Distances de sécurité	20
4. Montage	21
Montage des pieds avant	21
Montage du support de pied arrière	21
Raccordement d'arrivée d'air	21
Raccordement arrière du conduit de fumée	21
Montage de l'écran thermique	21
Raccordement par le haut du conduit de fumée	21
Clé multi-usage	21
Contrôle de fonctionnement	21
5. Allumer le feu pour la première fois	21
6. Entretien	22
Nettoyage et inspection	22
Cendres	22
Thermotte™	22
Porte et vitre	22
Recyclage du verre réfractaire	23
Recyclage de l'emballage	23
7. Garantie	23
8. Conseils pour allumer un feu	23
Quelques conseils en cas de problèmes de combustion	25

1. Avant d'assembler le foyer

Tous nos foyers sont évalués selon les dernières exigences européennes ainsi que les normes norvégiennes NS 3058 et NS 3059, qui inclut des essais de particules. Plusieurs pays européens ont cependant des règles individuelles d'installation des foyers, et des cheminées.

Vous êtes un client totalement responsable de l'exécution de ces règles locales concernant l'installation dans votre région / pays. Nordpeis n'est pas responsable quant à l'installation"

Vous devez vérifier la conformité des règlements locaux concernant (*S'il vous plaît noter que cette liste n'est pas exhaustive*):

- la distance du foyer aux matériels inflammables
- des matériels / exigences d'isolation entre le foyer et le mur d'adossement
- les dimensions des plaques de sol devant le foyer si exigé
- la connexion avec le conduit de fumée et la sortie des fumées entre le pøele et la cheminée
- des exigences d'isolation si le conduit de fumée traverse un mur inflammable.

Le tirage de cheminée

Comparés avec d'anciens modèles, les foyers à combustion propre d'aujourd'hui ont plus d'exigence sur le conduit d'évacuation des fumées. Même le meilleur foyer ne fonctionnera pas correctement si le conduit n'a pas les dimensions justes ou n'est pas en bon état de fonctionnement. Le tirage est principalement contrôlé par la température des gaz, température extérieure, l'apport d'air, la hauteur et la section intérieur du conduit. Le diamètre ne doit jamais être inférieur à celui de la sortie du foyer. À la valeur nominale, le tirage devrait avoir une pression de 14 à 25 Pascals.

Le tirage augmente quand:

- La cheminée devient plus chaude que l'air extérieur
- La longueur active de la cheminée augmente (au-dessus du foyer)
- Il y a un bon apport d'air à la combustion.

Il peut être difficile d'obtenir les conditions justes de tirage dans le cas où la cheminée serait trop haute ou large, car le foyer ne chauffera pas assez bien. N'hésitez pas à contacter un professionnel afin de réaliser un contrôle du tirage de votre conduit. Grâce à un outillage adapté, il pourra réaliser une mesure précise.

L'apport d'air (=mm AIR)

Un ensemble de dispositifs destinés à assurer le renouvellement de l'air est disponible en accessoire et assurera que des systèmes de ventilation, les ventilateurs de la cuisine et d'autres facteurs qui peuvent créer une dépression dans la pièce du pøele, affectent moins de l'apport d'air de combustion pour le foyer. L'apport d'air insuffisant peut causer une sous-pression et entraver le bon fonctionnement du foyer ainsi que l'efficacité de la combustion et être la base des problèmes tels que: Le foyer et la vitre s'encrassent, le bois ne prend pas feu ou s'allume mal.

Avertissement !

Ne pas obstruer les prises d'air comburant

Avertissement !

Des hottes aspirantes, fonctionnant dans la même pièce ou le même espace que l'appareil peuvent engendrer des problèmes.

Plaque de sol

Une plaque de sol ignifugé doit être mis devant la cheminée si le sol est d'une matière combustible. La dimension de la plaque de sol doit être conforme aux règles en vigueur dans le pays.

Pour votre sécurité, observez les instructions de montage. Toutes les distances de sécurité sont des distances minimales. L'installation du foyer doit observer les règles et les règlements du pays où installé.

Nordpeis AS n'est pas responsable du montage défectueux d'un foyer.

Nordpeis se réserve le droit de modifier sans préavis les caractéristiques techniques et dimensionnelles de ses produits.

2. Informations Techniques

Les foyers de Nordpeis ont la combustion secondaire et sont non polluants. La combustion se produit en deux phases: d'abord le bois brûle, et puis les gaz de fumées sont allumés par l'air chaud. Cela signifie que les émissions de particules de suie et de gaz non brûlés (par exemple CO) sont minimales et protègent ainsi mieux l'environnement. Les foyers à combustion propre utilisent l'énergie du bois de manière plus efficace. De là, avec moins de bois le même effet de chaleur est réalisé. Alimentez le feu uniquement avec du bois propre et sec.

Nous recommandons le bois dur bien séché avec une teneur maximale en humidité de 20%.

Technical TABLE (see instr.manuals N-20A)

Insert	N-20A
Matériel	Acier
Traitement de surface:	Vernis résistant à la chaleur
Poids de l'appareil (kg)	100
Alimentation d'air	arrivée d'air avec trappe de réglage et position démarrage
Système de combustion	combustion secondaire (système combustion propre)
Consommation d'air (m ³ /h)	9-25
Plage de puissance (kW)	4,5-9
Taille de bûche (cm)	40
Sortie des conduits	dessus et arrière
Diamètre des conduits (Ø)	Extérieur 150
* d'autres versions existent en raison des exigences nationales	
Température des fumées en sortie de buse (°C)	246,5

Débit massique des fumées [g/s]	7,3
Pression recommandée en sortie de buse (Pa)	14-25
Données du test EN 13229	
Air entrant sous le foyer (cm ²)	300
Air sortant par-dessus le foyer (cm ²)	450
La distance minimale de la sortie d'air de convection au plafond (cm)	500
Puissance nominale (kW)	5,4
Rendement (%)	81,9
CO @ 13% O ₂ (%)	0,09
Température des fumées (°C)	196,4
Pression (Pa)	12
Carburant recommandé:	Bois bûche
Taille de bûches recommandée (cm)	25-30
Charge de bois (kg)	1,1
Intervalle de recharge (minutes)	45
Ouverture de l'arrivée d'air à la puissance nominale (%)	40-50
Type de feu*	Intermittent*

* Une combustion intermittente représente l'utilisation normale d'une cheminée, c'est-à-dire que du nouveau bois est inséré lorsque la charge précédente a entièrement brûlé.

Attention :

Si les conditions d'aération ne sont PAS respectées, la puissance de la circulation d'air chaud sera considérablement réduite et cela peut engendrer une surchauffe. Au pire, cela peut occasionner un incendie.

3. Distance à matières combustibles

Permet de s'assurer que les distances de sécurité sont respectées (FIG. 1).

Pour raccorder le conduit de fumée métallique vers le haut, nous vous renvoyons aux indications d'installation du produit. Respectez les distances de sécurité exigées pour le conduit de fumée métallique.

Le foyer se dilate pendant utilisation, c'est pourquoi il ne doit pas s'appuyer sur l'habillage. Ni l'habillage s'appuyer sur le foyer. L'espace recommandé au-dessus du foyer est de 3 millimètres. Le foyer ne doit pas être en contact avec l'habillage sur aucun de ses cotés. Monter préalablement à sec l'habillage et le foyer, pour trouver les dimensions exactes, avant de perforer la cheminée pour le raccordement de conduit de fumée.

Important !

Lors de l'installation du foyer sur un sol en matière inflammable, TOUTE la surface du sol qui se trouve à l'intérieur de l'habillage doit être recouverte d'une plaque d'acier d'une épaisseur minimale de 0,7 mm. Le revêtement de sol inflammable doit être retiré sous ladite plaque.

4. Montage

FIG 3 - FIG 7

Montage des pieds avant FIG 3

L'insert est livré avec des pieds réglables. Les pieds sont montés sur l'insert à l'aide des boulons et rondelles fournis - les fixer comme indiqué sur le plan.

Montage du support de pied arrière FIG 4

Le support de pied arrière est également réglable. Monter le pied sur le corps de l'insert à l'aide des boulons et rondelles fournis.

Attention ! Les pieds avant sont plus courts d'environ 50 mm. Montez des entretoises sous les pieds avant lorsque l'insert est replacé en position verticale – FIG 4b.

Raccordement d'arrivée d'air FIG 5

Montez le raccordement d'arrivée d'air, comme indiqué sur le plan. Fixez-le avec une vis à l'aide de la clé Torx fournie.

Raccordement arrière du conduit de fumée FIG 6

Un adaptateur de cheminée est monté à l'arrière de l'insert. Si vous voulez utiliser le raccordement de cheminée arrière, découpez une section de l'écran arrière à l'aide d'un outil approprié.

Raccordement par le haut du conduit de fumée FIG 6b

Pour utiliser le raccordement par le haut du conduit de fumée, suivez les étapes ci-dessous :

1. Dévissez les boulons de fixation à l'aide des outils fournis.
2. Tournez l'adaptateur de cheminée comme indiqué sur le plan.
3. Vissez les boulons dans le corps de l'insert.
4. Placez une tige dans la prise pour bloquer un hérissé de ramonage.

L'insert se dilate sous l'effet de la chaleur, c'est pourquoi l'habillage NE doit JAMAIS reposer contre l'insert, mais à une distance d'environ 3 mm.

L'insert ne doit pas non plus reposer sur le banc ni contre les côtés. Il est recommandé d'empiler l'habillage à sec afin de régler l'insert avant de percer la cheminée pour le raccordement du conduit.

Attention ! Nos inserts sont préparés pour le raccordement du conduit de fumée sur l'extérieur de la buse Ø150.

Montage de l'écran thermique FIG 7

1. Montez l'écran avant en pliant ses côtés comme illustré sur les plans FIG 7A & FIG 7B.
2. Positionnez l'écran thermique, comme indiqué. Veillez à ce que les fentes à l'extrémité de l'écran correspondent aux crochets sur le couvercle arrière, voir FIG 7C

Clé multi-usage

L'insert est équipé d'une poignée (clé) destinée à faire fonctionner les registres d'air primaire et l'ouverture et la fermeture des portes, etc, voir FIG 8-FIG 8C.

Contrôle de fonctionnement

Lorsque l'insert est en position verticale, et avant de monter l'habillage, vérifiez que toutes les commandes fonctionnent de manière satisfaisante.

Voir aussi FIG 8 & FIG 8b.

A. Commande d'air primaire	B. Commande d'air
Rentrée = fermé Sortie = ouvert	Position gauche = fermé Position droite = ouvert

FIG A

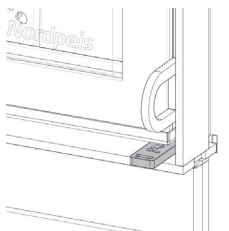
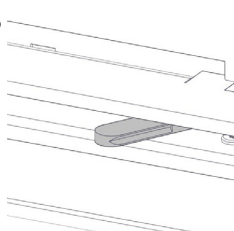


FIG B



Désactivation du mécanisme de fermeture automatique FIG 9

Pour désactiver - suivre les instructions ci-dessous :

- ouvrir la porte,
- verrouiller le ressort en serrant la vis - FIG 9A,
- soulever la porte et desserrer la vis - FIG 9B, quand un clic sonore retentit, la porte à fermeture automatique est désactivée,
- abaisser la porte dans sa position initiale.

5. Allumer le feu pour la première fois

Quand le foyer est assemblé et toutes les instructions ont été observées, le feu peut être allumé.

Placez les bûches en bois soigneusement dans la chambre de combustion pour éviter d'endommager les plaques thermo isolants. L'humidité dans les plaques thermo isolants peut causer une combustion lente les premières fois que le foyer est utilisé, ce phénomène cesse quand l'humidité s'évapore. Laissez la porte ouverte légèrement les 2 ou 3 premières fois que le foyer est utilisé.

Il est recommandé de bien aérer lors du premier allumage, car le vernis du foyer libérera un peu de fumée et d'odeur, qui disparaîtra et n'est pas dangereuse.

Allumer le feu

Bois d'allumage

Finement fendu (diamètre 3 à 5 cm)

Longueur : 25 - 30 cm

Quantité approx. par allumage : 2 kg (hêtre)

Placez la commande d'air primaire en mode allumage (FIG A) (sortie). Insérez de petits morceaux de bois secs, allumez-les et assurez-vous que le bois s'enflamme bien. Lorsque les flammes sont stables et que la cheminée est chaude, rentrez la commande d'air primaire et réglez le feu normalement.

Lorsqu'un lit de braises tapisse le fond de l'insert, vous pouvez insérer de nouvelles bûches.

Lors de l'insertion de nouvelles bûches, repoussez les braises chaudes sur les côtés du foyer pour que le bois s'enflamme par dessous. Placez 2 bûches.

Disposez la première bûche en diagonale avec l'extrémité gauche près du côté gauche de la porte vitrée. Puis la deuxième appuyée contre la première, également en diagonale mais dans la direction opposée. Réglez le registre d'air primaire à une ouverture de 45 %. Les flammes doivent être lumineuses et vives.

Rechargement

Bois coupé - 2 bûches (diamètre de 6 à 9 cm)

Longueur : 25 - 30 cm

Charge normale. 1,46 kg /h

(Charge max. : 2,5 kg/h)

L'utilisation du foyer avec une trop faible arrivée d'air (combustion lente) augmente la pollution aussi bien que le risque d'un feu dans la cheminée. Ne laissez jamais le foyer ou le conduit d'évacuation des fumées devenir surchauffés et rougeoyants. Si ceci se produit, fermer la commande d'entrée d'air. Le réglage correct de la commande d'arrivée d'air nécessite une certaine expérience, selon la configuration de chaque maison.

IMPORTANT !

Rappelez-vous toujours d'ouvrir la commande d'allumage aussi bien que la commande d'apport d'air (de préférence aussi la porte) quand de nouvelles bûches en bois sont insérées dans la chambre de combustion. Avant de réduire le tirage laissez le feu prendre et les flammes être stables.

Quand le tirage dans la cheminée est bas et les commandes fermées, le gaz produit peut-être enflammé d'un seul coup. Cela peut causer des dommages au produit aussi bien que l'environnement proche (explosion).

6. Entretien

Nettoyage et inspection

Le foyer doit être inspecté complètement et nettoyé à fond au moins une fois par saison (Avec le ramonage).

Assurez-vous que tous les joints sont serrés et sont correctement placés. Échangez toutes les joints qui sont usés ou déformés.

Toujours inspecter un foyer a froid

Cendres

Les cendres doivent être éliminées à intervalle régulier (selon la fréquence d'utilisation). Les cendres peuvent contenir la braise chaude même plusieurs jours après que le feu paraisse éteint. Utilisez un conteneur non-inflammable pour éliminer les cendres. Il est recommandé de laisser une couche de cendres dans le fond afin de mieux isoler la chambre de combustion.

Manipulez les plaques thermo isolantes avec soin lorsque vous videz les cendres, particulièrement si vous utilisez une pelle à cendre.

Thermotte™

Les plaques d'isolation (Thermotte) (FIG 2) sont considérées comme des pièces d'usure qui doivent être remplacées au bout de quelques années.

La date de remplacement dépend de l'utilisation qui est faite du produit.

Nordpeis garantit ces pièces un an. Une fois la garantie passée, vous pouvez acheter des pièces de rechange.

- A. Déflecteur
- B. Plaque de fonds
- C. Plaque de fond avant gauche
- D. Plaque de fond avant droite
- E. Plaque de fond arrière gauche
- F. Plaque de fond droite
- G. Plaque latérale droite / gauche

Consultez aussi les schémas des FIG 10 à FIG 15

Notez svp : Les bûches trop longues peuvent fendre les plaques, en raison de la tension qu'elles peuvent créer entre les plaques latérales.

Porte et verre

Il est nécessaire de nettoyer la suie sur le verre.

Employez un produit spécifique pour vitres. (NB! Faites attention, le détergent peut endommager le vernis). Si d'autres détergents sont utilisés ils peuvent endommager le verre. Le meilleur conseil pour nettoyer le verre est d'employer un tissu humide ou du papier que l'on aura préalablement trempé dans la suie de la chambre de combustion. Frottez autour de la suie sur le verre et finissez avec un morceau propre et humide de papier de cuisine.

NB! Nettoyez seulement le verre quand le foyer est froid.

Vérifiez régulièrement que la transition entre le verre et la porte est complètement hermétique. Serrez les vis qui tiennent le verre en place - mais pas trop fort, puisque cela peut casser le verre.

Périodiquement il peut être nécessaire de changer les joints dans la porte pour s'assurer que le foyer est hermétique et fonctionne de manière optimale. Ces joints Nordpeis peuvent être achetés chez votre revendeur. Seuls les joints Nordpeis permettent l'application de la garantie.

LE VERRE RÉFRACTAIRE NE PEUT PAS ÊTRE RECYCLÉ

Le verre Réfractaire devrait être traité comme des déchets résiduels, avec la poterie et la porcelaine



Recyclage du verre réfractaire

Le verre réfractaire ne peut pas être recyclé. Le vieux verre réfractaire, cassé ou autrement inutilisable, doit être jeté comme un déchet résiduel. Le verre réfractaire

a une température de fusion plus haute et ne peut pas donc être recyclé avec le verre ordinaire. Dans le cas où il serait mélangé avec du verre ordinaire, il endommagerait la matière première et pourrait empêcher le recyclage de verre.

C'est une contribution importante à l'environnement de s'assurer que le verre réfractaire n'est pas recyclé avec du verre ordinaire.

Recyclage de l'emballage

L'emballage accompagnant le produit doit être recyclé conformément aux réglementations nationales

7. Garantie

Avertissement !
Utilisez uniquement des pièces de rechange recommandées par le fabricant.

Avertissement !
Toute modification non autorisée de l'appareil sans l'accord écrit du constructeur est interdite.

Pour une description détaillée des conditions de garantie voir la carte de garantie ci-joint ou notre site web www.nordpeis.fr

Le marque "CE" est située sur l'arrière du foyer.

8. Conseils pour allumer un feu

La meilleure manière de allumer un feu est avec l'utilisation des briquettes. Les journaux causent beaucoup de cendres et l'encre est dommageable

pour l'environnement. Des prospectus publicitaires, magasins, cartons de lait, etc. ne sont pas appropriés pour allumer un feu. L'apport d'air est important à l'allumage. Quand la conduite de cheminée est chaude le tirage est plus fort et la porte peut être fermé.

Avertissement: n'utilisez JAMAIS un carburant d'éclairage comme essence, la paraffine, des alcools à brûler ou similaires pour allumer un feu. Cela pourrait vous causer des blessures ainsi qu'endommager le produit.

Utilisez du bois propre et sec avec une teneur en humidité maximale de 20% et minimum de 16%. Les bûches de bois doivent sécher au minimum 6 mois après avoir été coupés et fendus. Le bois humide exige beaucoup d'air pour la combustion, car de l'énergie/chaleur supplémentaires est nécessaire pour sécher l'humidité. L'effet thermique est donc minime. De plus cela cause la création de suie dans la cheminée avec un risque du feu de cheminée.

Avertissement: En cas d'incendie de cheminée, fermez la porte et les alimentations en air du poêle ou de l'insert et appelez les Pompiers. Après un incendie, la cheminée doit dans tous les cas être inspectée par un ramoneur agréé avant de pouvoir être utilisée à nouveau.

Entreposage du bois

Afin de s'assurer que le bois est sec, l'arbre doit être coupé en hiver et ensuite entreposé pendant l'été, sous le toit et dans un endroit avec une ventilation adéquate. La pile de bois ne doit jamais être recouverte d'une bâche qui est couchée contre le sol, la bâche agira alors comme un couvercle hermétique qui empêche le bois de sécher. Toujours garder une petite quantité de bois à l'intérieur, quelques jours avant l'utilisation afin que l'humidité de la surface du bois peut s'évaporer.

Conseils généraux pour le feu

Pas assez d'air pour la combustion peut causer l'encrassement de la vitre par la suie. Par conséquent, fournir de l'air au feu dès l'allumage, que les flammes et les gaz dans la chambre de combustion sont correctement brûlé. Ouvrez la commande d'apport d'air et tenez la porte légèrement entrouverte pour que les flammes peuvent s'établir correctement sur le bois.

Trop d'air à la combustion peut créer une flamme incontrôlable qui très rapidement chauffera le foyer entier à d'extrêmement hautes températures (avec la porte fermée ou presque fermée). Pour cette raison ne remplissez jamais totalement la chambre de combustion du bois.

Choix de combustible

Tous les types de bois, comme le bouleau, hêtre, chêne, orme, le frêne et d'arbres fruitiers, peuvent être utilisés comme combustible dans le foyer. Les essences de bois ont des degrés différents de dureté - plus le bois est dur, plus il contient de l'énergie. Hêtre, chêne et le bouleau ont le plus haut degré de dureté.

Nous attirons votre attention sur l'usage de briquettes de bois reconstitué. Celles-ci dégagent généralement une puissance calorifique supérieure au bois bûche, qui peuvent endommager les éléments du foyer voir le foyer lui-même.

Se conformer strictement aux prescriptions du fabricant de briquettes, une surchauffe constatée avec ce type de produit entraîne la suppression de la garantie

Avertissement : N'employez JAMAIS de bois imprégnés, bois peint, contre-plaqué, carton, déchets, cartons de lait, et des documents imprimés ou similaires. Si n'importe lequel de ces articles est utilisé comme le carburant la garantie est invalide.

Ces matériaux peuvent former lors de la combustion d'acide chlorhydrique et des métaux lourds qui sont nocifs pour l'environnement, vous et le foyer. L'acide chlorhydrique peut également attaquer l'acier dans la cheminée ou en maçonnerie dans une cheminée en maçonnerie. Aussi, éviter de allumer avec de l'écorce, la sciure de bois ou d'autres extrêmement fines, en dehors de l'allumage d'un feu. Cette forme de carburant peut facilement provoquer un embrasement qui peuvent conduire à des températures trop élevées.

Attention: Assurez-vous que le foyer n'est pas surchauffé - il peut causer De tels dégâts ne sont pas irréparables à l'appareil. Tel dégâts n'sont pas couverts par la garantie.

Source "Håndbok, effektiv og miljøvennlig vedfyring" by Edvard Karlsvik SINTEF Energy Research AS and Heikki Oravainen, VTT.

Quelques conseils en cas de problèmes de combustion

Erreur	Explication	Solution
Absence de tirage	La cheminée est obstruée.	Contactez un ramoneur/un revendeur pour obtenir plus d'informations ou nettoyez le conduit, le déflecteur de fumée et la chambre de combustion.
	Le conduit est plein de suie ou de la suie s'est accumulée sur le déflecteur de fumée.	
	Le déflecteur de fumée est mal positionné.	Vérifiez le montage du déflecteur de fumée (voir les instructions de montage).
L'insert libère de la fumée à l'allumage du feu et pendant la combustion	Un courant descendant dans la pièce est causé par l'absence de tirage, ce qui signifie que la maison est trop « hermétique ».	Allumez le feu avec une fenêtre ouverte. Au besoin, il est nécessaire d'installer des conduits supplémentaires/plus gros dans la pièce.
	Un courant descendant dans la pièce est causé par une hotte ou un système de ventilation centrale qui aspire trop d'air de la pièce.	Éteignez/réglez la hotte et/ou les autres aérations. Au besoin, il est nécessaire d'installer plus de conduits.
	Les conduits de deux cheminées/poêles sont raccordés à la même cheminée, à la même hauteur.	L'un des conduits doit être repositionné. La différence de hauteur entre les deux conduits doit être d'au moins 30 cm.
	Le conduit est en position inclinée du dôme de fumée à la cheminée.	Le conduit doit être déplacé pour avoir une inclinaison d'au moins 10° du dôme de fumée à la cheminée. Installez éventuellement un appareil d'aspiration des fumées*.
	Le conduit est trop loin dans la cheminée.	Le conduit doit être raccordé à nouveau de sorte qu'il n'entre pas dans la cheminée mais prenne fin 5 mm avant le mur intérieur de la cheminée. Installez éventuellement un appareil d'aspiration des fumées*.
	La trappe de suie est ouverte dans la cave ou le grenier et crée ainsi un mauvais tirage.	Les trappes de suie doivent toujours être fermées. Les trappes qui ne sont pas hermétiques ou qui sont défectueuses doivent être remplacées.
	Le registre/les conduits de tirage supérieurs ou les portes des cheminées inutilisées sont ouverts et créent un mauvais tirage.	Fermez le registre, les portes et les conduits de tirage supérieurs sur les cheminées inutilisées.
	Un orifice ouvert dans la cheminée après qu'un foyer a été enlevé crée un mauvais tirage.	Les orifices doivent être complètement bouchés par des travaux de maçonnerie.
	Une maçonnerie défectueuse dans la cheminée, qui n'est par exemple pas hermétique autour de l'entrée du conduit, et/ou une cloison cassée dans la cheminée, entraînent un mauvais tirage.	Rebouchez et plâtrez toutes les fissures et les endroits qui ne sont pas hermétiques.
	La section transversale dans la cheminée est trop large et entraîne un tirage très faible voire nul.	La cheminée doit être réinstallée, éventuellement avec un appareil d'aspiration des fumées*.
	La section transversale dans la cheminée est trop petite et la cheminée ne peut pas convoyer toute la fumée.	Remplacez la cheminée par une plus petite ou construisez une nouvelle cheminée avec une section transversale plus large. Installez éventuellement un appareil d'aspiration des fumées*.
La cheminée est trop basse et a par conséquent un faible tirage.	Augmentez la hauteur de la cheminée et/ou installez un chapeau de cheminée/un appareil d'aspiration des fumées*.	
La cheminée libère de la fumée à l'intérieur lorsqu'il y a du vent dehors.	La cheminée est trop basse compte tenu du terrain environnant, des bâtiments, des arbres etc.	Augmentez la hauteur de la cheminée et/ou installez un chapeau de cheminée/un appareil d'aspiration des fumées*.
	Le toit trop plat crée des turbulences autour de la cheminée.	Augmentez la hauteur de la cheminée et/ou installez un chapeau de cheminée/un appareil d'aspiration des fumées*.
La cheminée ne chauffe pas suffisamment.	La combustion de la cheminée reçoit beaucoup trop d'oxygène à cause d'une fuite sous le bord inférieur de l'insert ou d'un tirage de cheminée trop fort. Difficultés à réguler la combustion et le bois brûle trop rapidement.	Toute fuite éventuelle doit être rebouchée. Un régulateur de tirage ou éventuellement un registre peut réduire le tirage de la cheminée. Remarque : une fuite de 5 cm ² seulement suffit à faire disparaître 30 % de l'air chaud.
Tirage trop important	L'amortisseur de fumée est mal positionné.	Vérifiez le positionnement de l'amortisseur de fumée (voir les instructions de montage).
	En cas d'utilisation de bois séché au four, l'alimentation en air requise est moins importante que lors d'une utilisation de bois normal.	Réduisez l'alimentation en air.
	Les joints autour de la porte sont usés et complètement plats.	Remplacez les joints et contactez votre revendeur.
	La cheminée est trop grande.	Pour obtenir plus d'informations, contactez un ramoneur de cheminée ou un autre professionnel.
La vitre est noire de suie.	Le bois est trop humide.	Utilisez uniquement du bois sec à un taux d'humidité maximal de 20 %.
	Le contrôle du conduit d'air est fermé trop hermétiquement.	Ouvrez le contrôle du conduit d'air pour apporter de l'air à la combustion. Lors de l'insertion de nouvelles bûches, tous les contrôles de conduit doivent être complètement ouverts ou la porte entrouverte jusqu'à ce que le bois s'enflamme bien.

Vitre blanche	Mauvaise combustion (la température est trop basse).	Pour une bonne combustion, suivez les recommandations présentes dans ce manuel d'utilisation.
	Utilisation de matériaux inappropriés pour la combustion (comme : du bois peint ou imprégné, du plastique stratifié, du contre-plaqué, etc.).	Assurez-vous d'utiliser uniquement du bois propre et sec.
De la fumée s'échappe lorsque la porte est ouverte.	Une stabilisation de pression se produit dans la chambre de combustion.	Ouvrez le contrôle du conduit d'air pendant environ 1 minute avant d'ouvrir la porte. Évitez d'ouvrir la porte trop rapidement.
	La porte est ouverte lorsqu'un feu est présent dans la chambre de combustion.	Ouvrez délicatement la porte et/ou uniquement lorsqu'il y a des braises chaudes.
Fumée blanche	La température de combustion est trop basse.	Augmentez l'alimentation en air.
	Le bois est humide et contient de l'eau.	Assurez-vous d'utiliser uniquement du bois propre et sec.
Fumée noire ou grise/noire	Combustion insuffisante.	Augmentez l'alimentation en air.

N-20A = mm

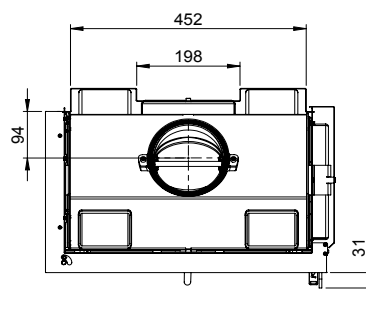
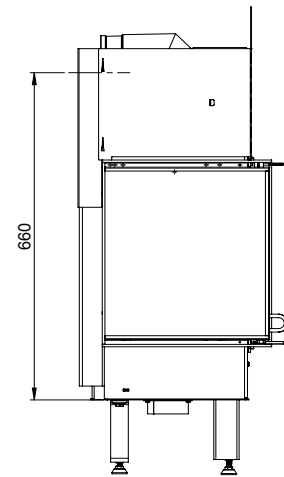
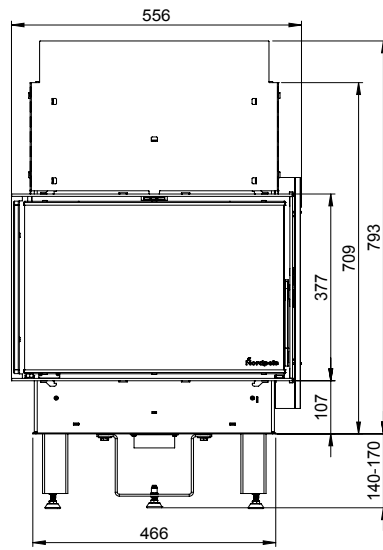
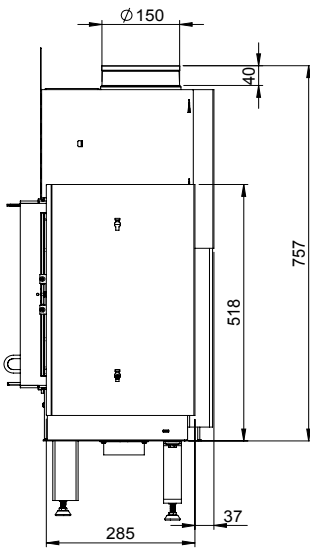
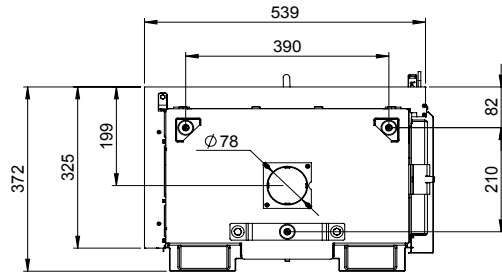

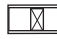


FIG 1

 =Brannmur/ Brandmur/ Palomuuuri/ Firewall

 =Brennbar materiale/Brændbart materiale/ Brännbart material/ Tulenarka materiaali/ Combustible material

(*) **G** = Glass side / Glasseite / Côté verre /

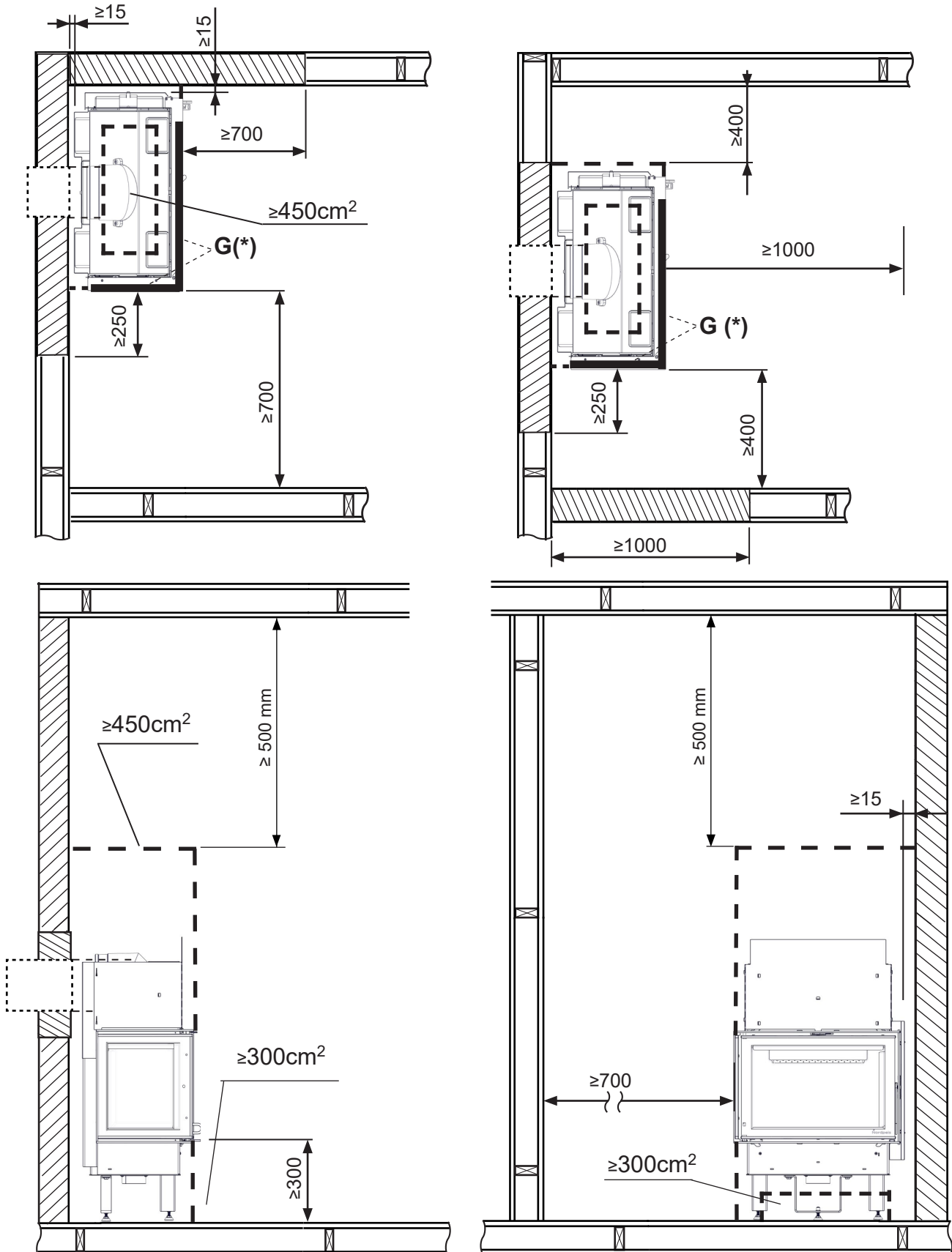
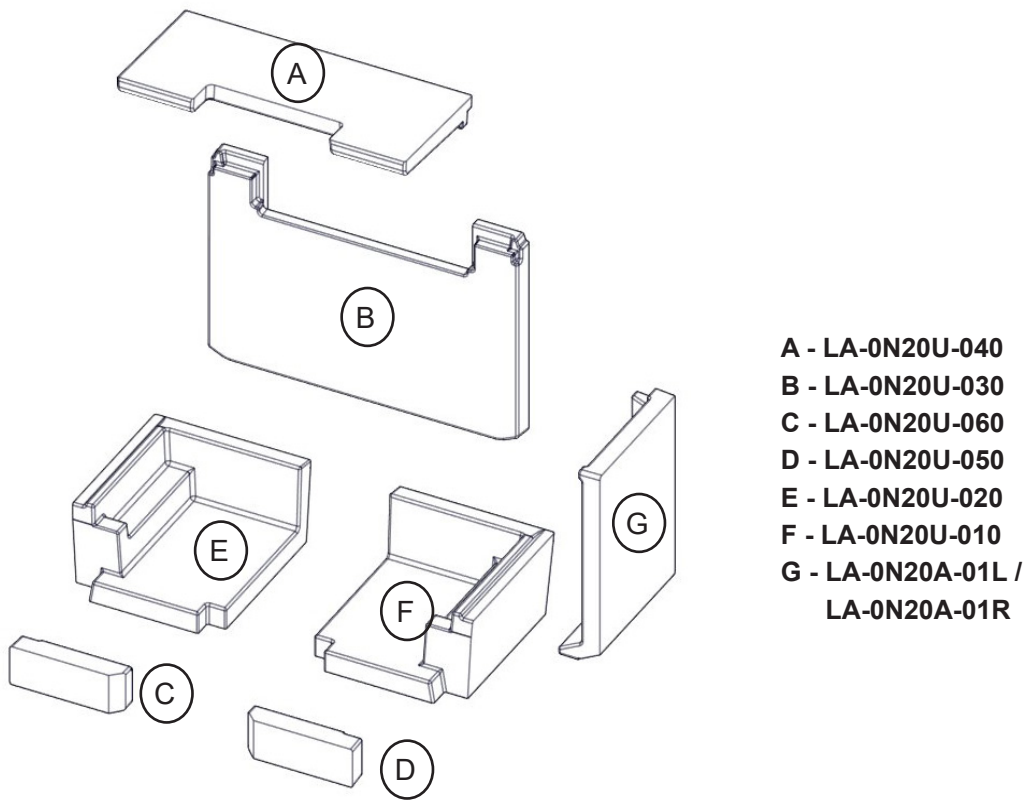


FIG 2 Thermotte [®]™



Assembling / Aufbau / Montage

FIG 3 Front leg assembling

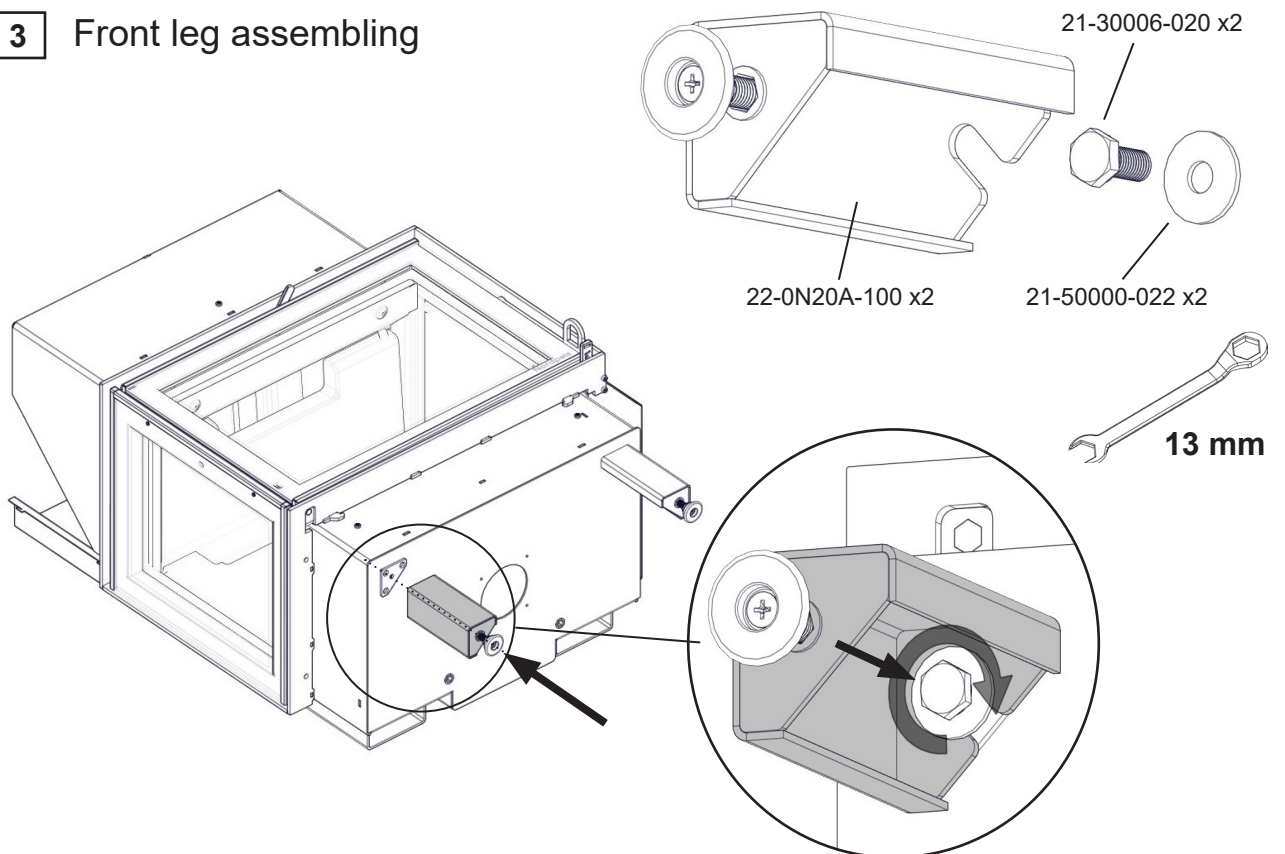


FIG 4 Bracket leg

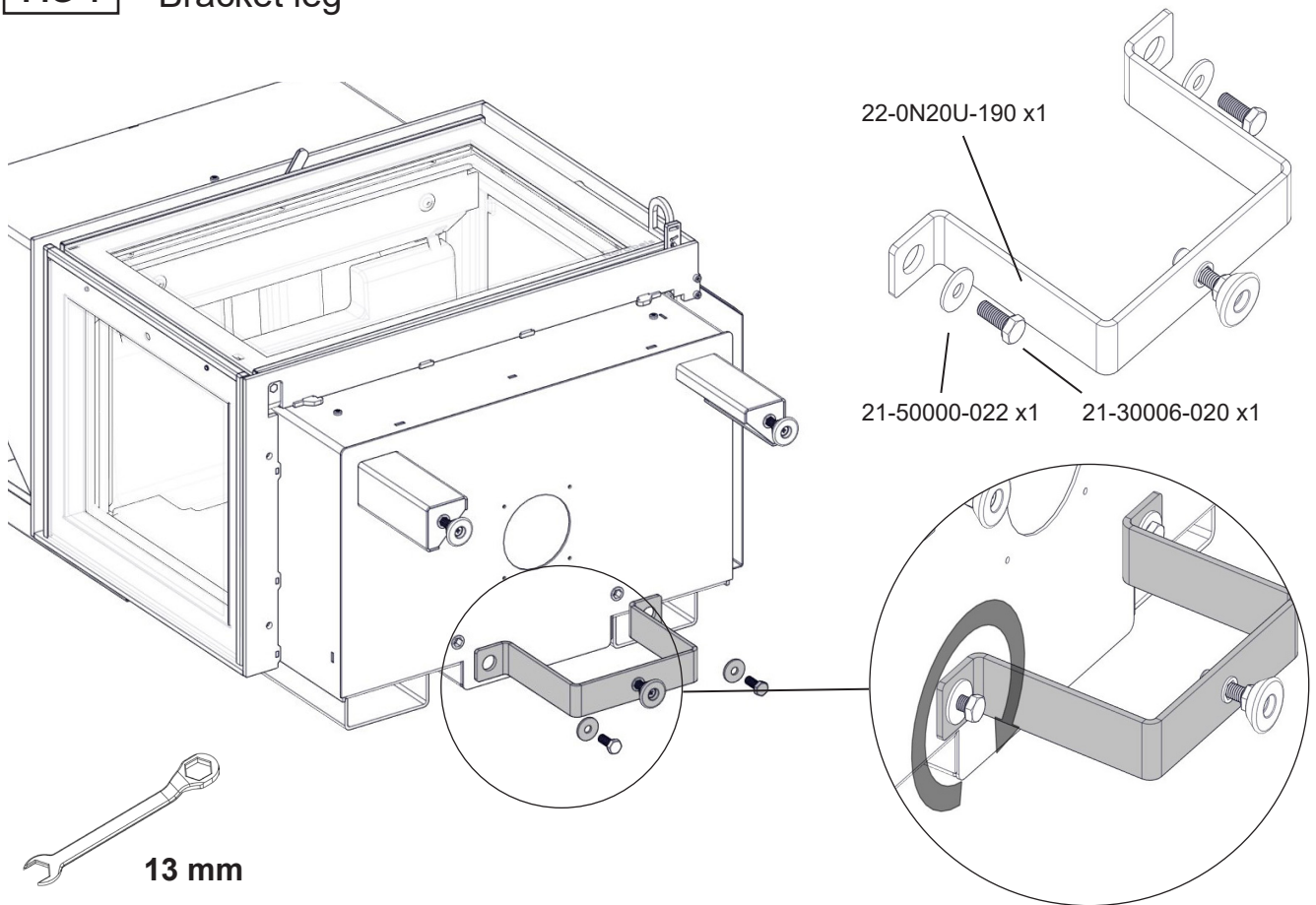


FIG 5 Air inlet pipe assembling

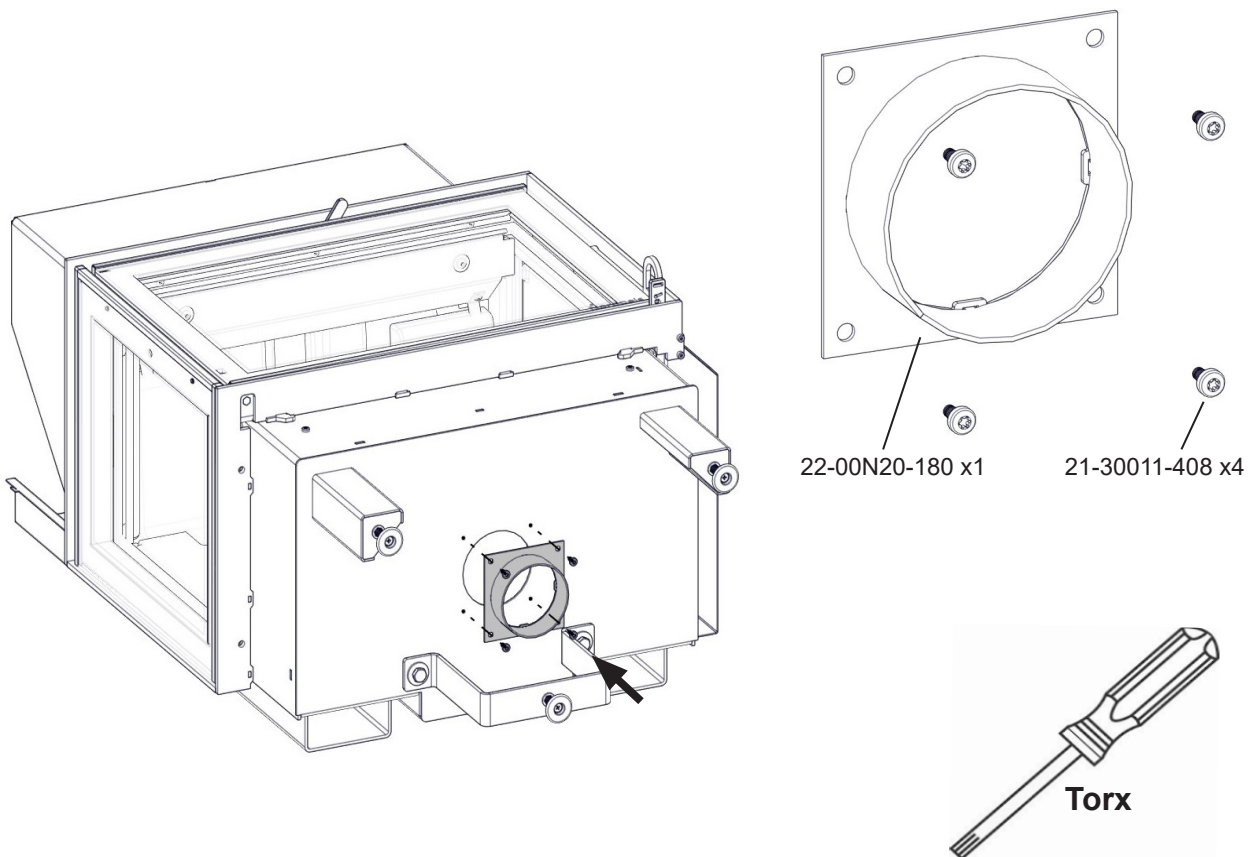


FIG 6

Smoke adapter - rear chimney connection

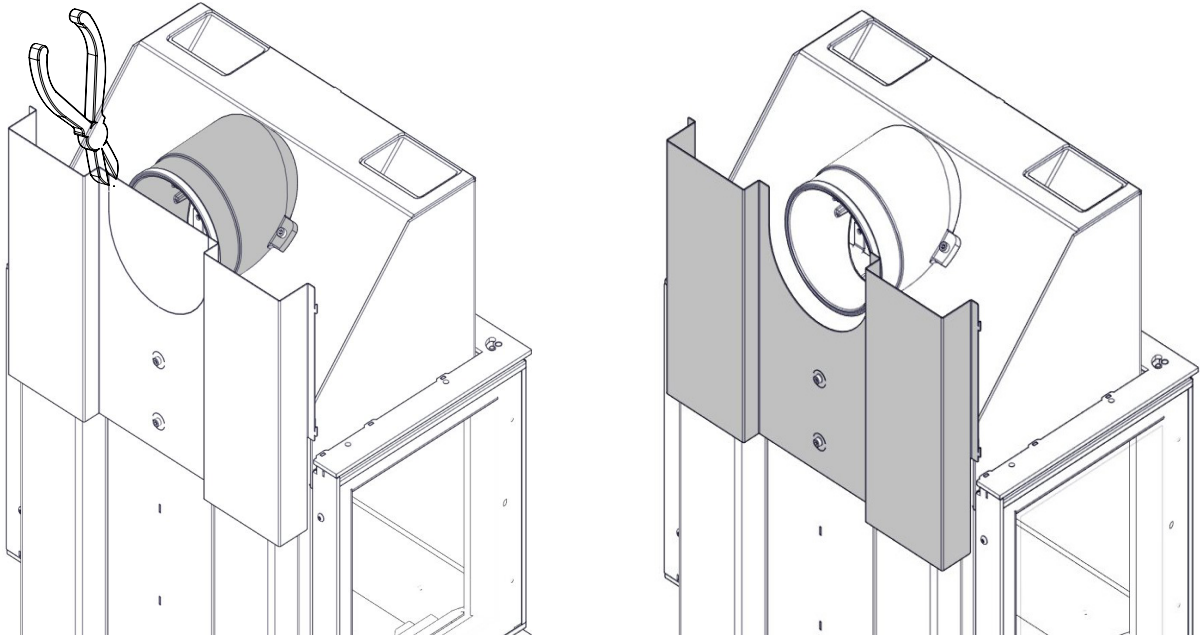


FIG 6b

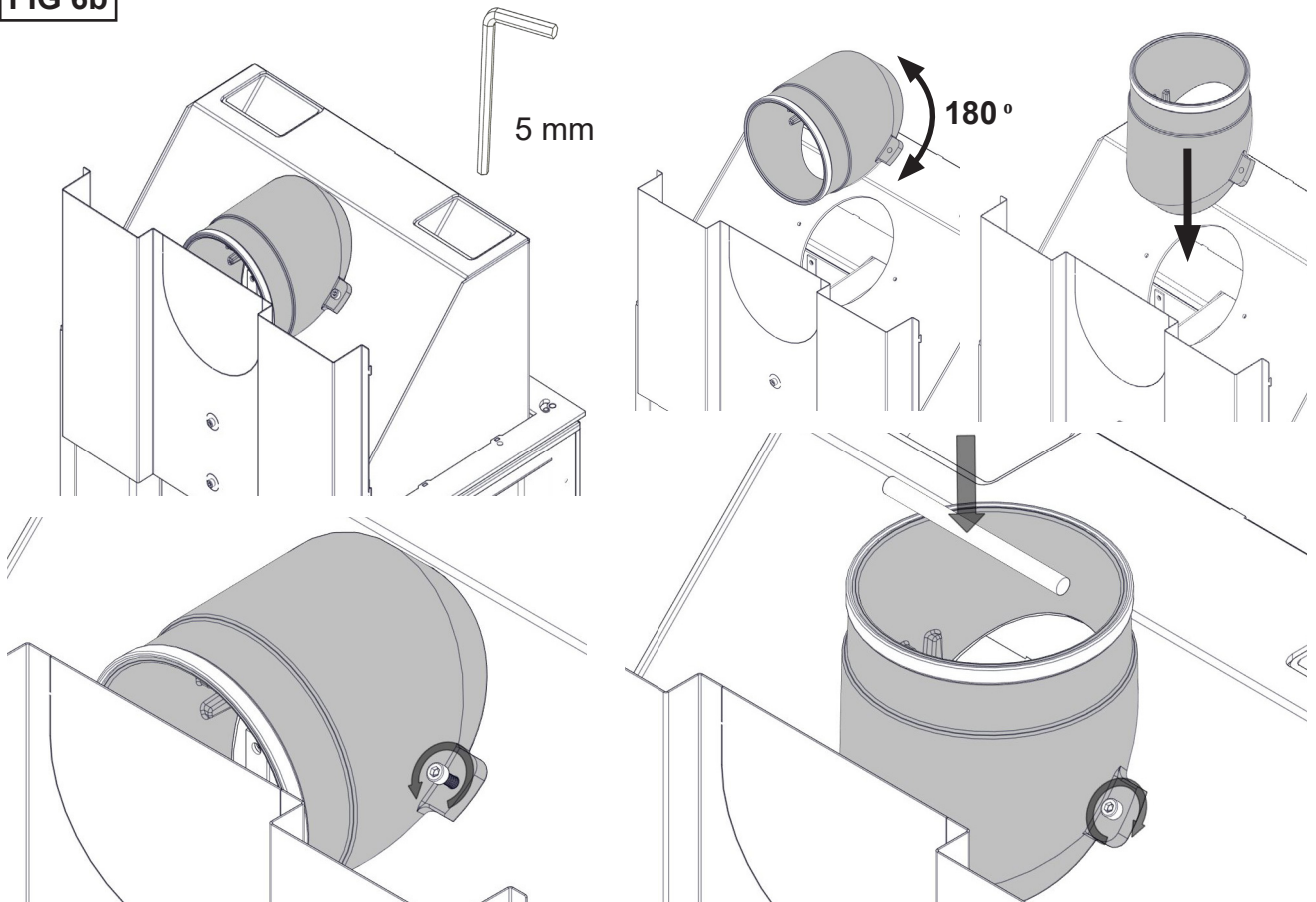


FIG 7 Front radiation shield - assembling

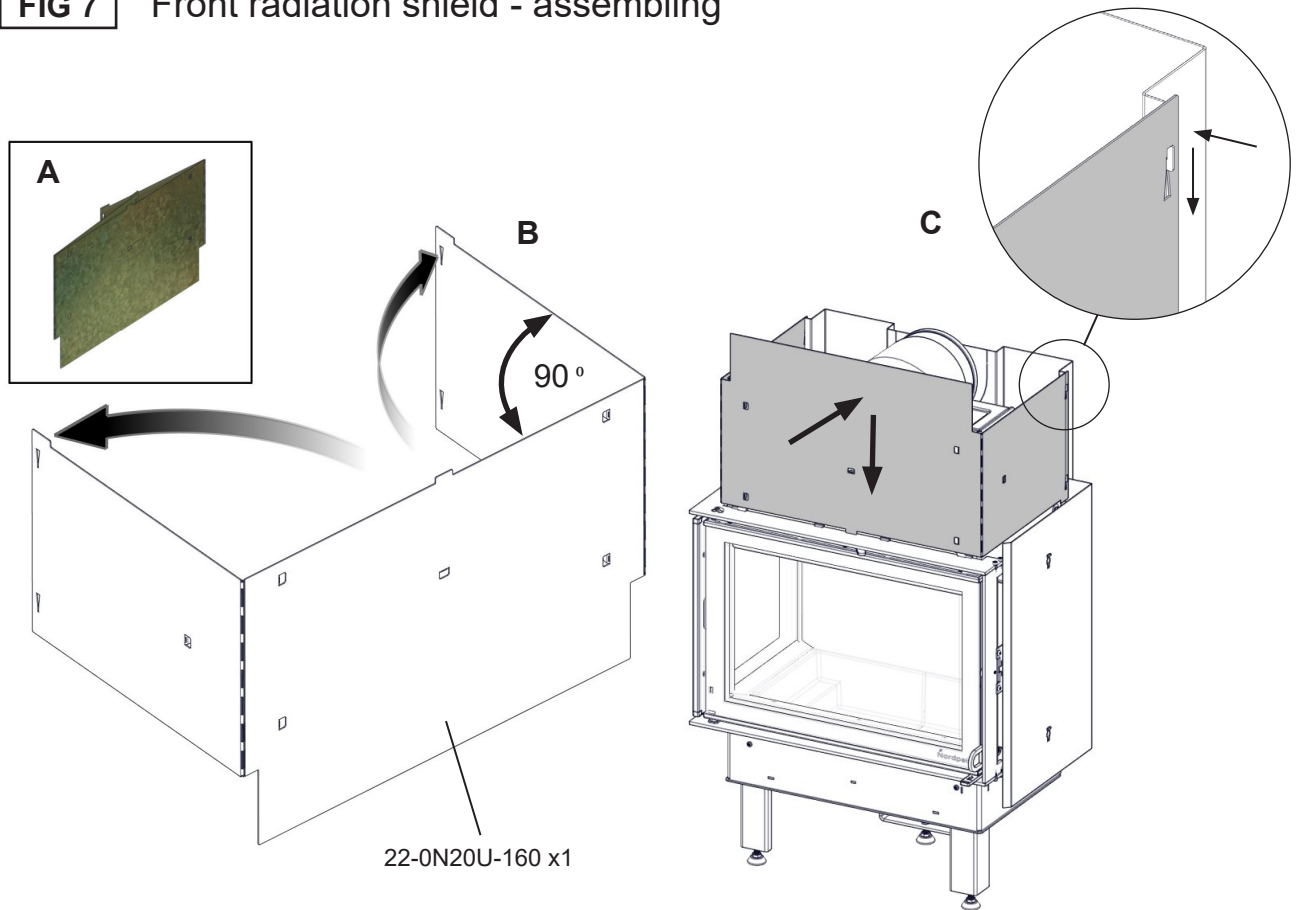


FIG 8 Operational handle - primary valve usage

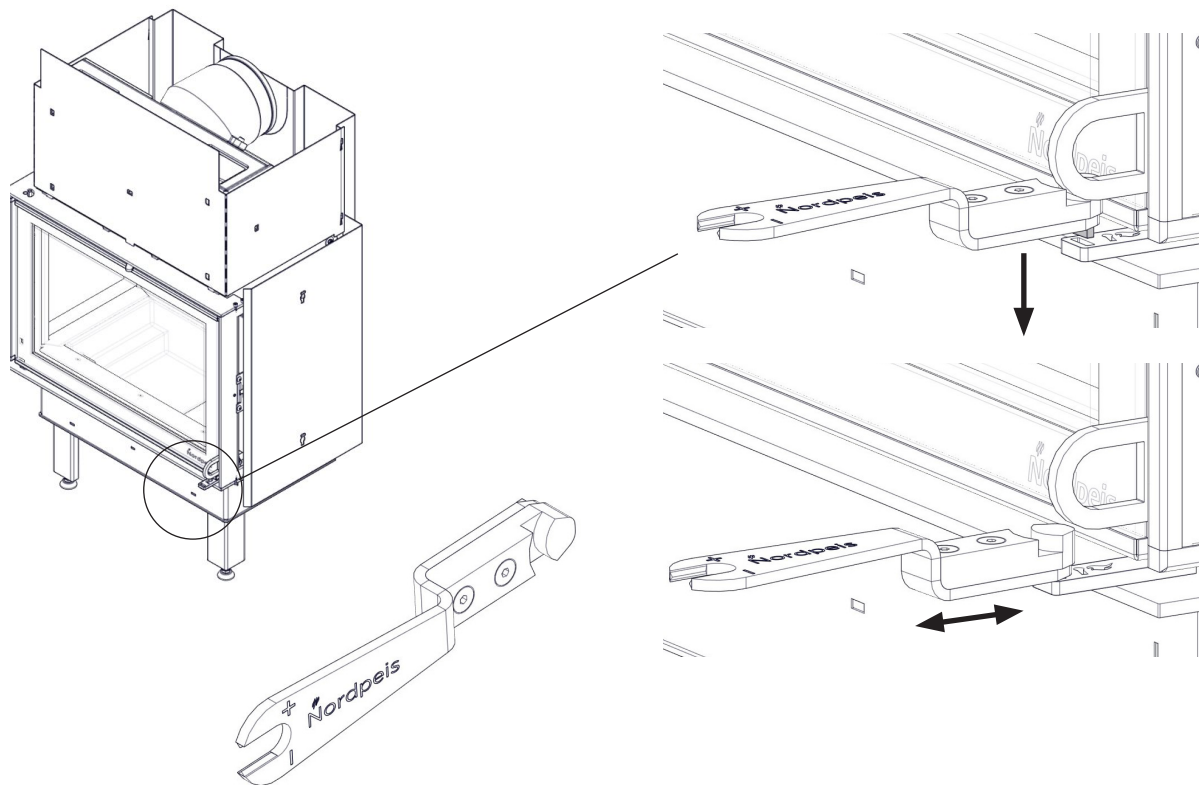


FIG 8b Operational handle - primary valve usage

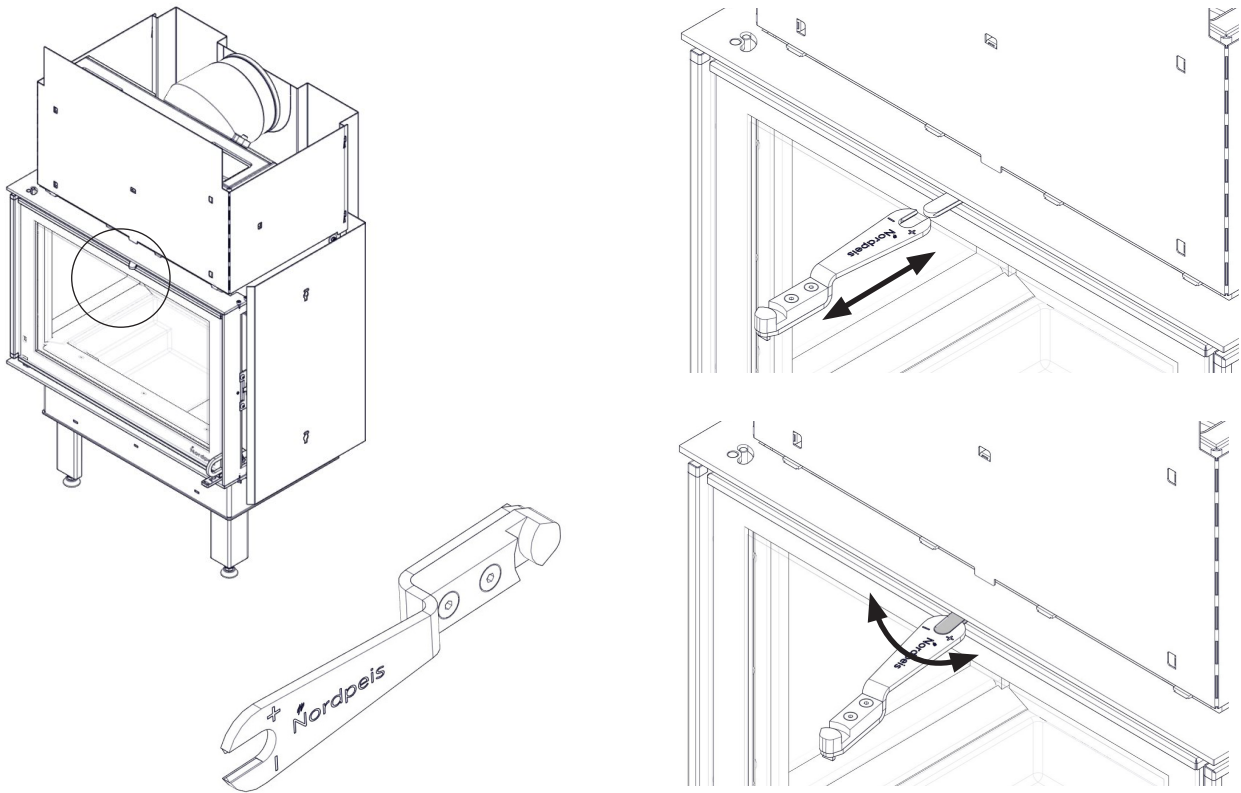


FIG 8c Operational handle - door opening usage

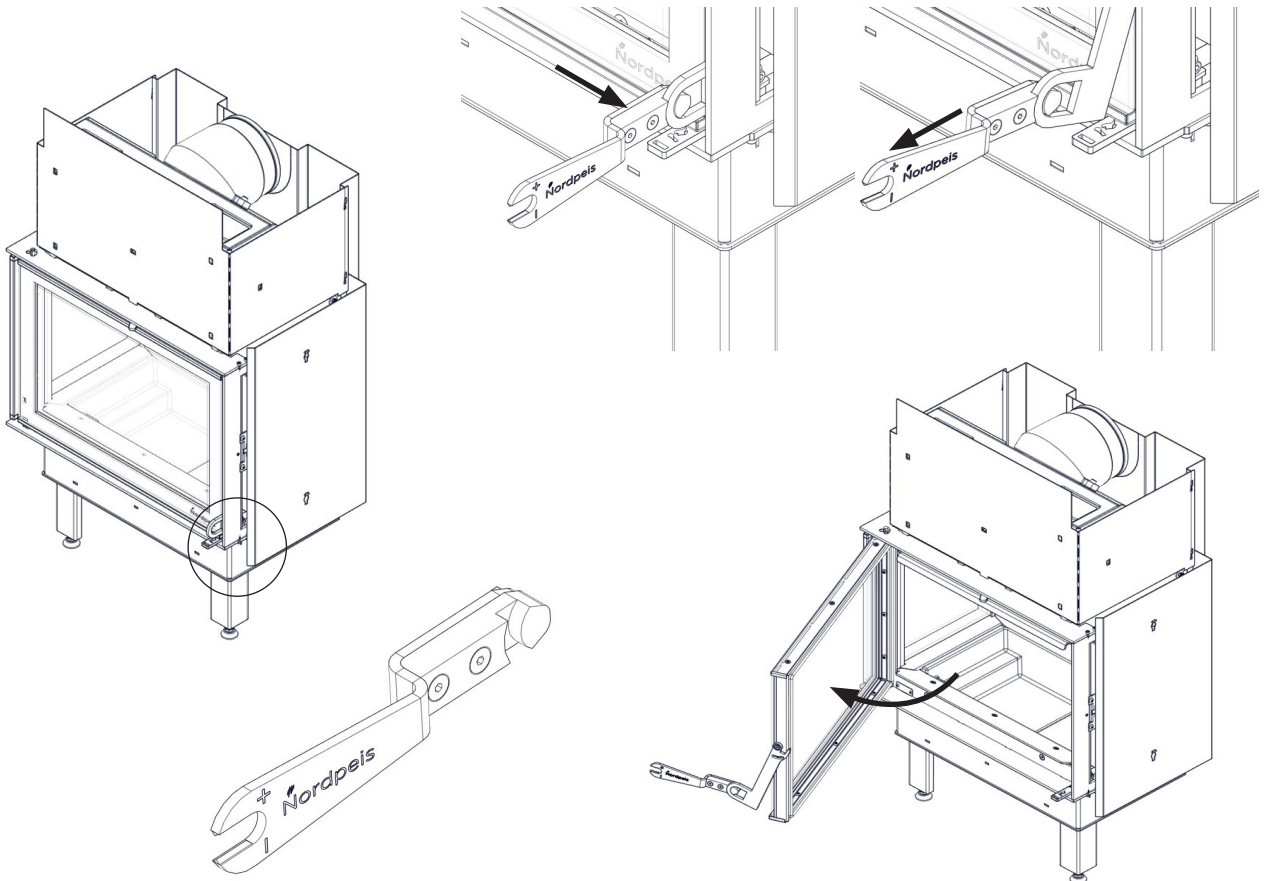
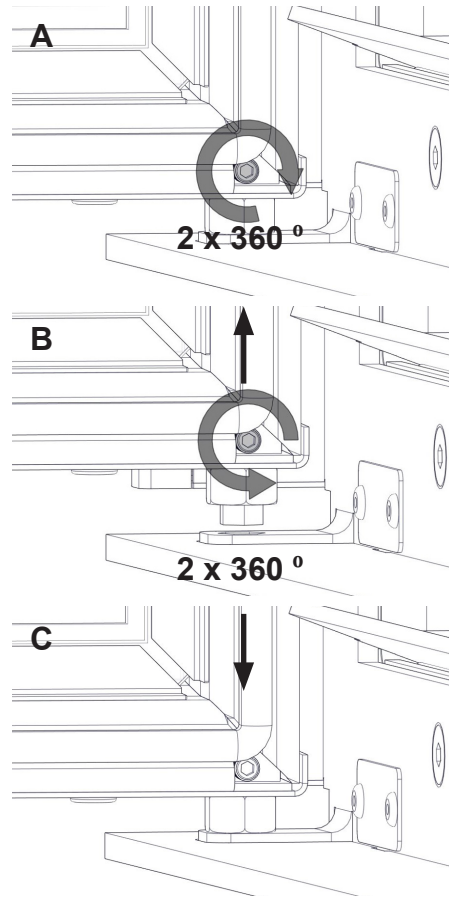
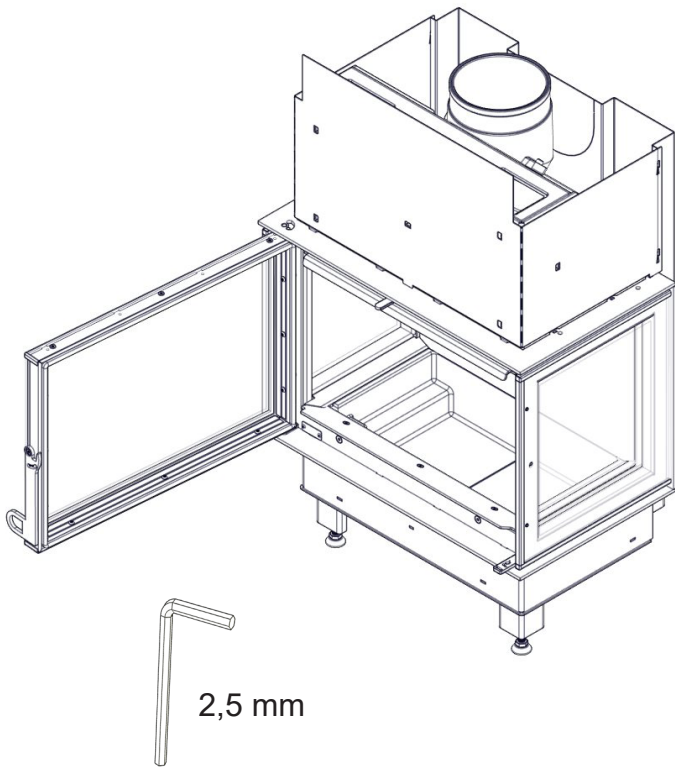


FIG 9

Self-closing door deactivation



GB: Maintenance / DE: Pflege / FR: Entretien

FIG 10

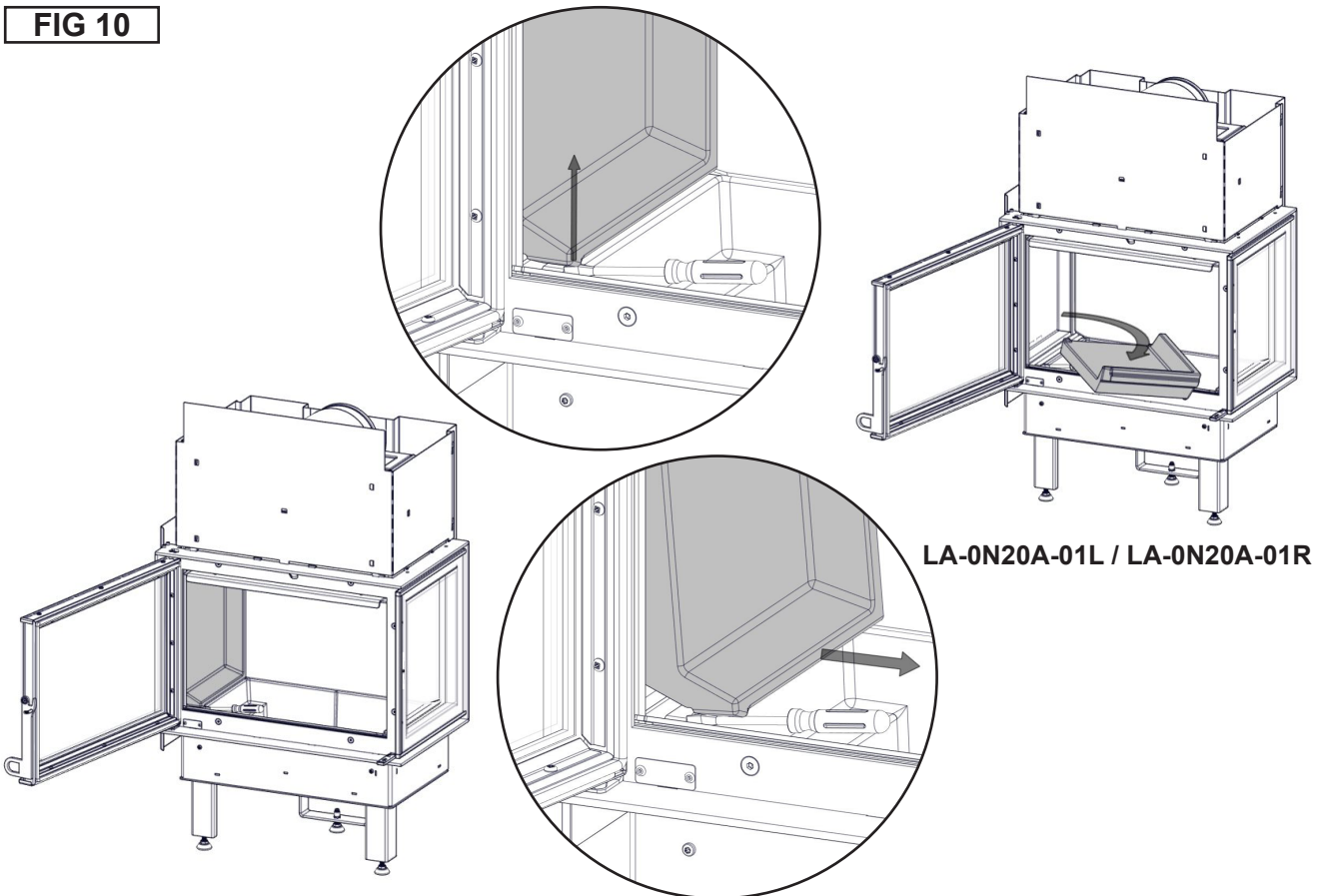


FIG 11

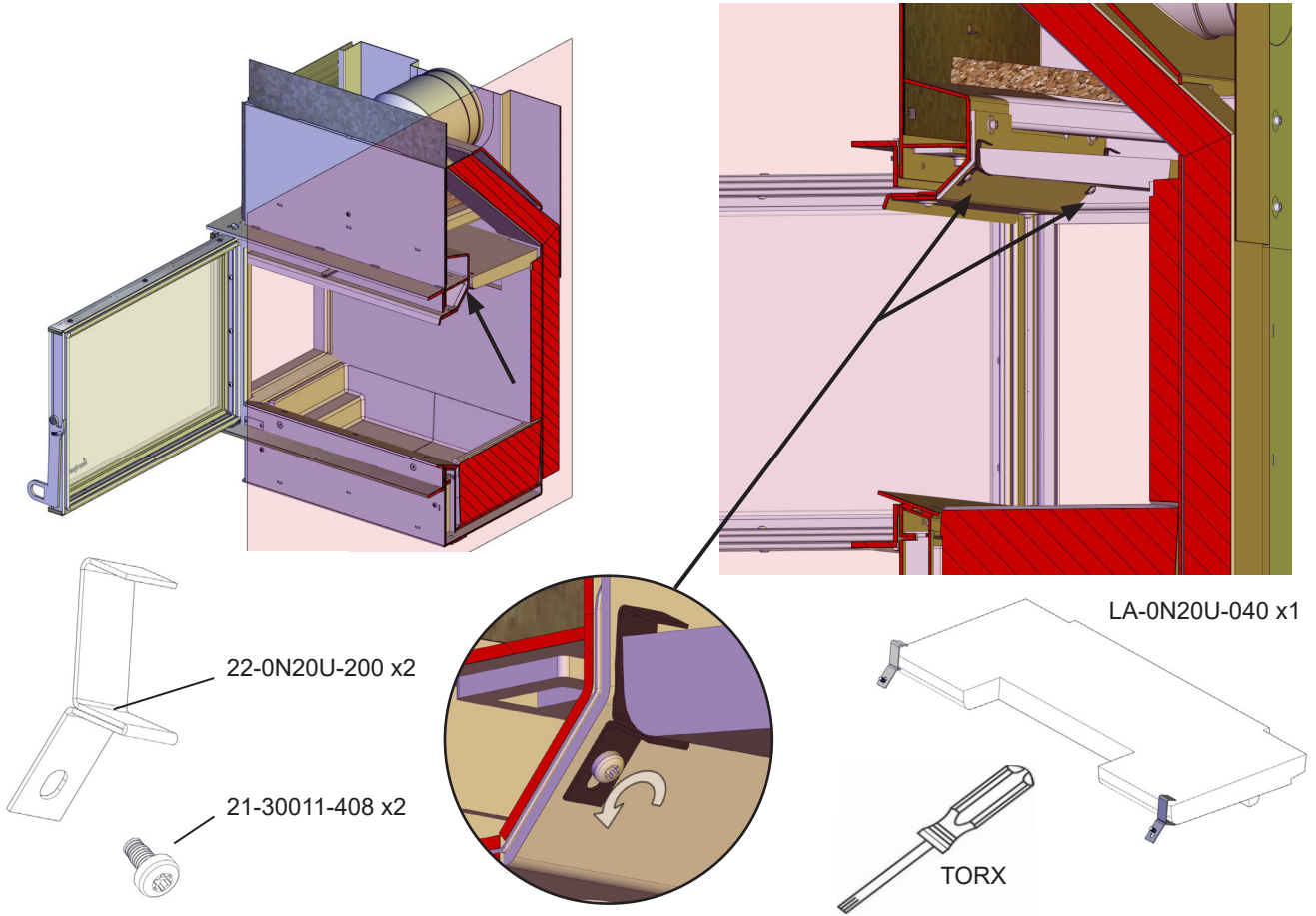


FIG 12

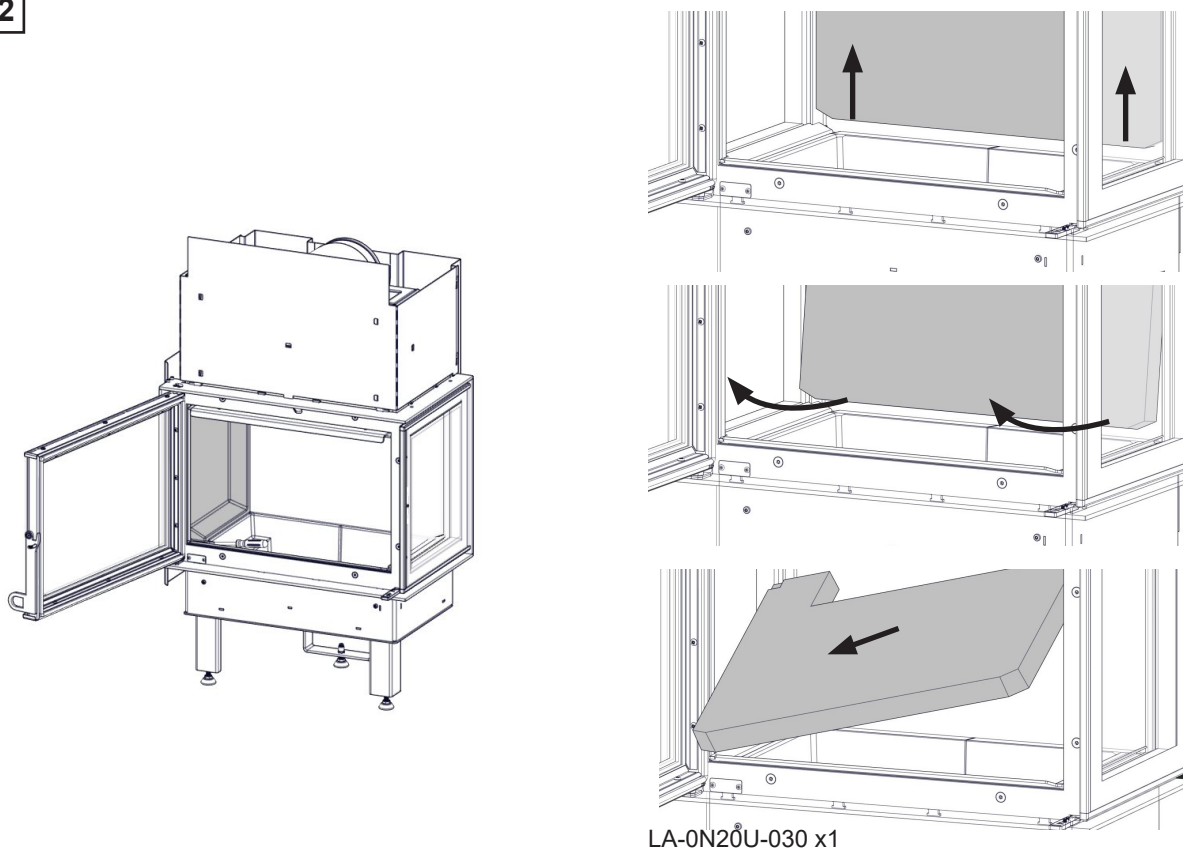


FIG 13

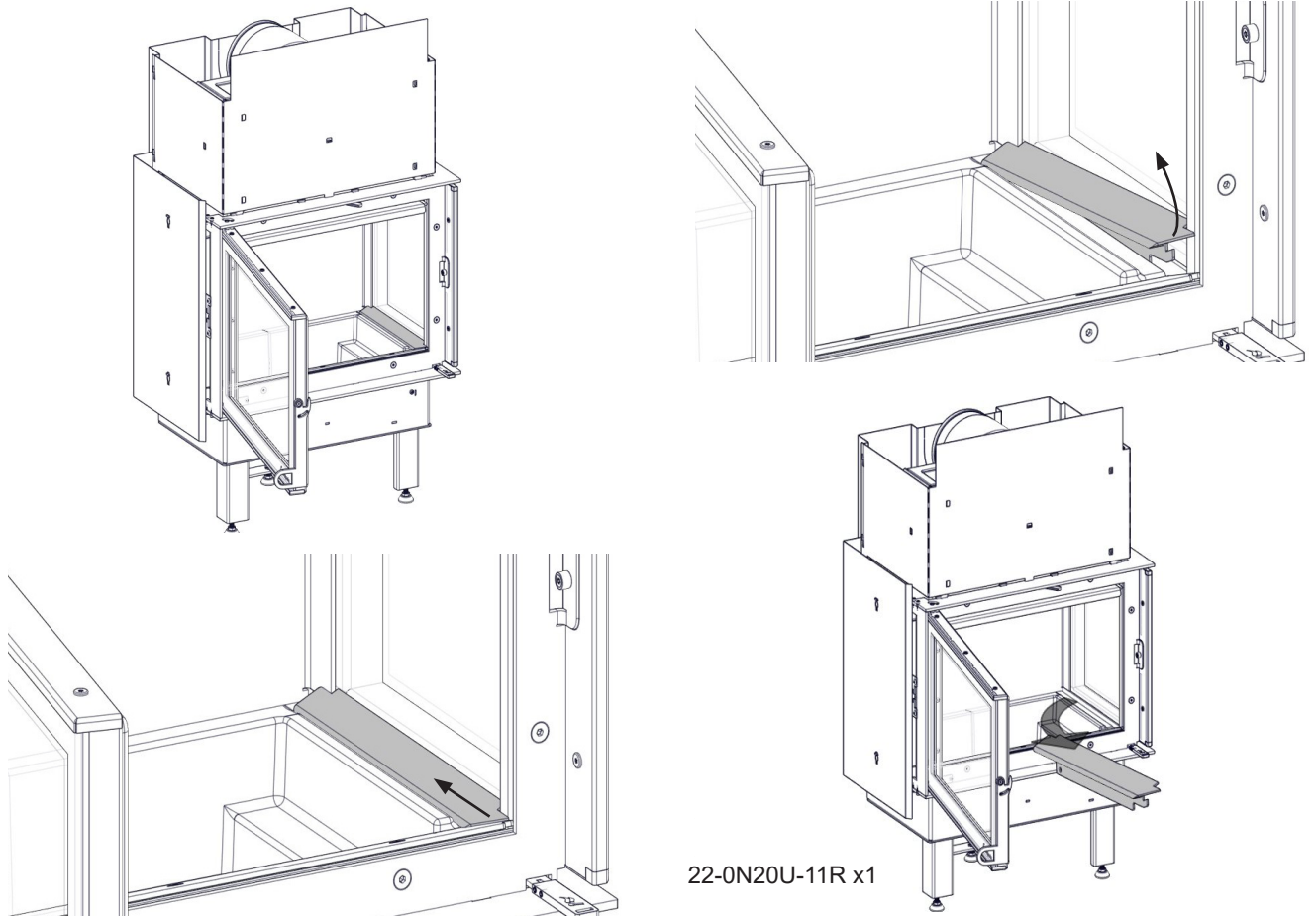


FIG 14

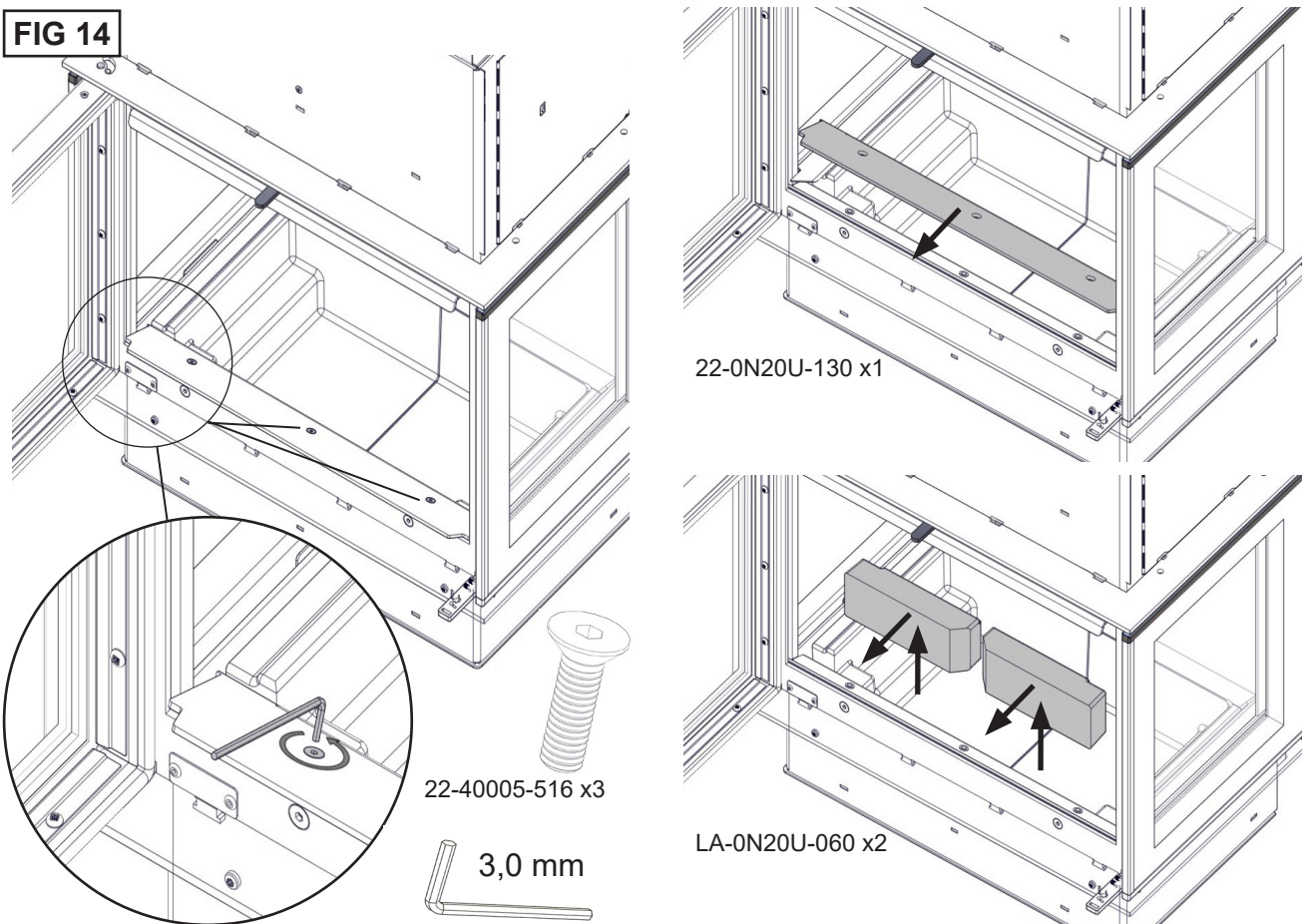
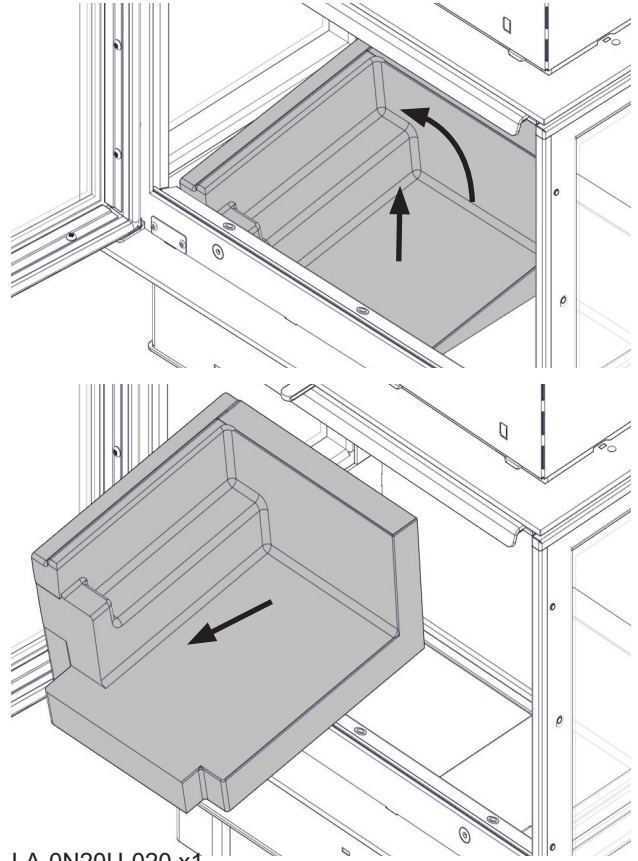
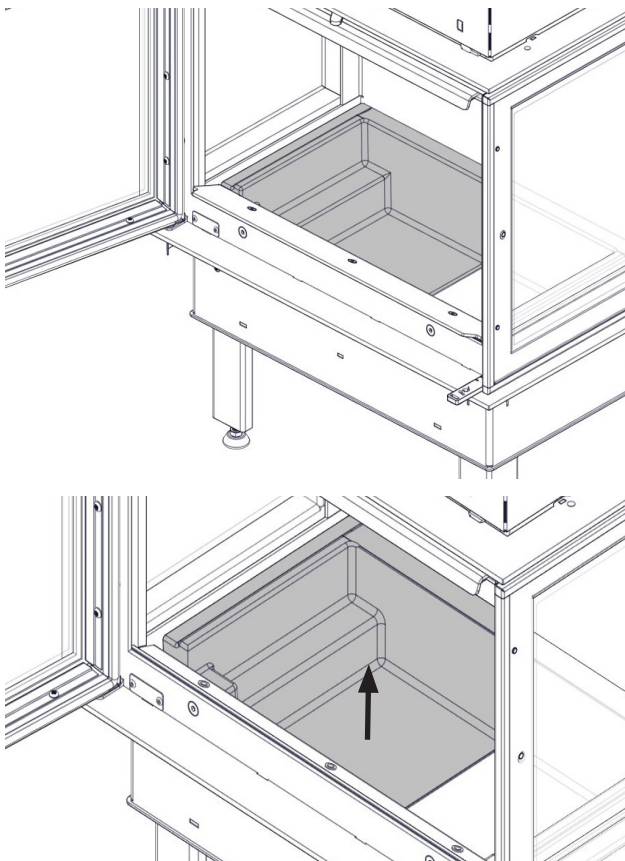
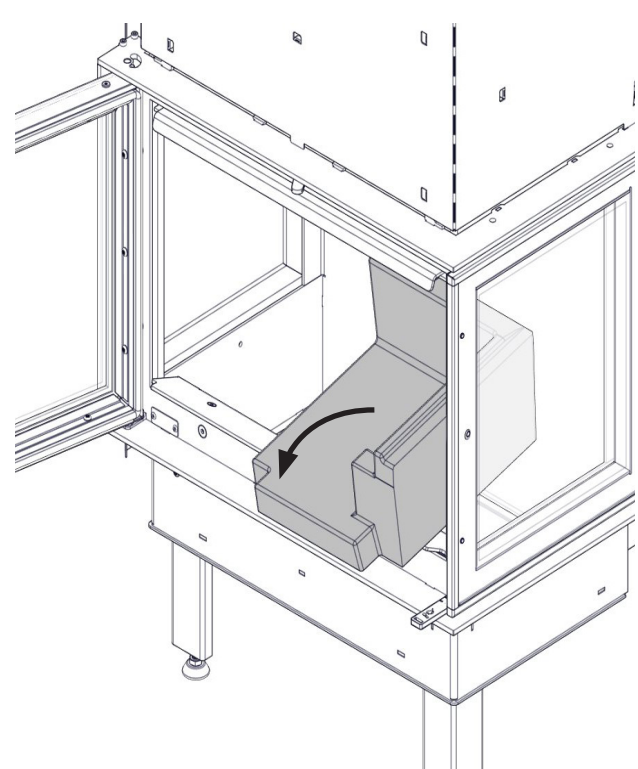
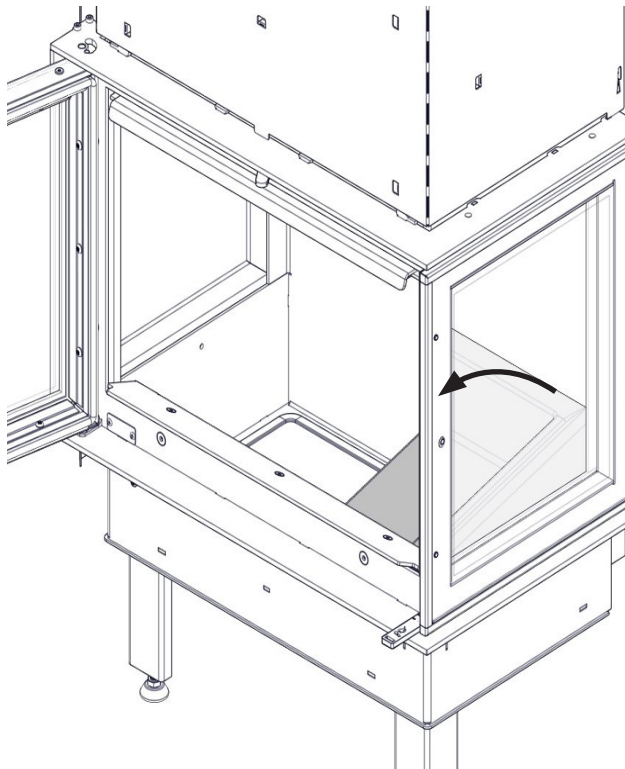


FIG 15



LA-0N20U-020 x1

FIG 15b



LA-0N20U-010 x1

FIG 16

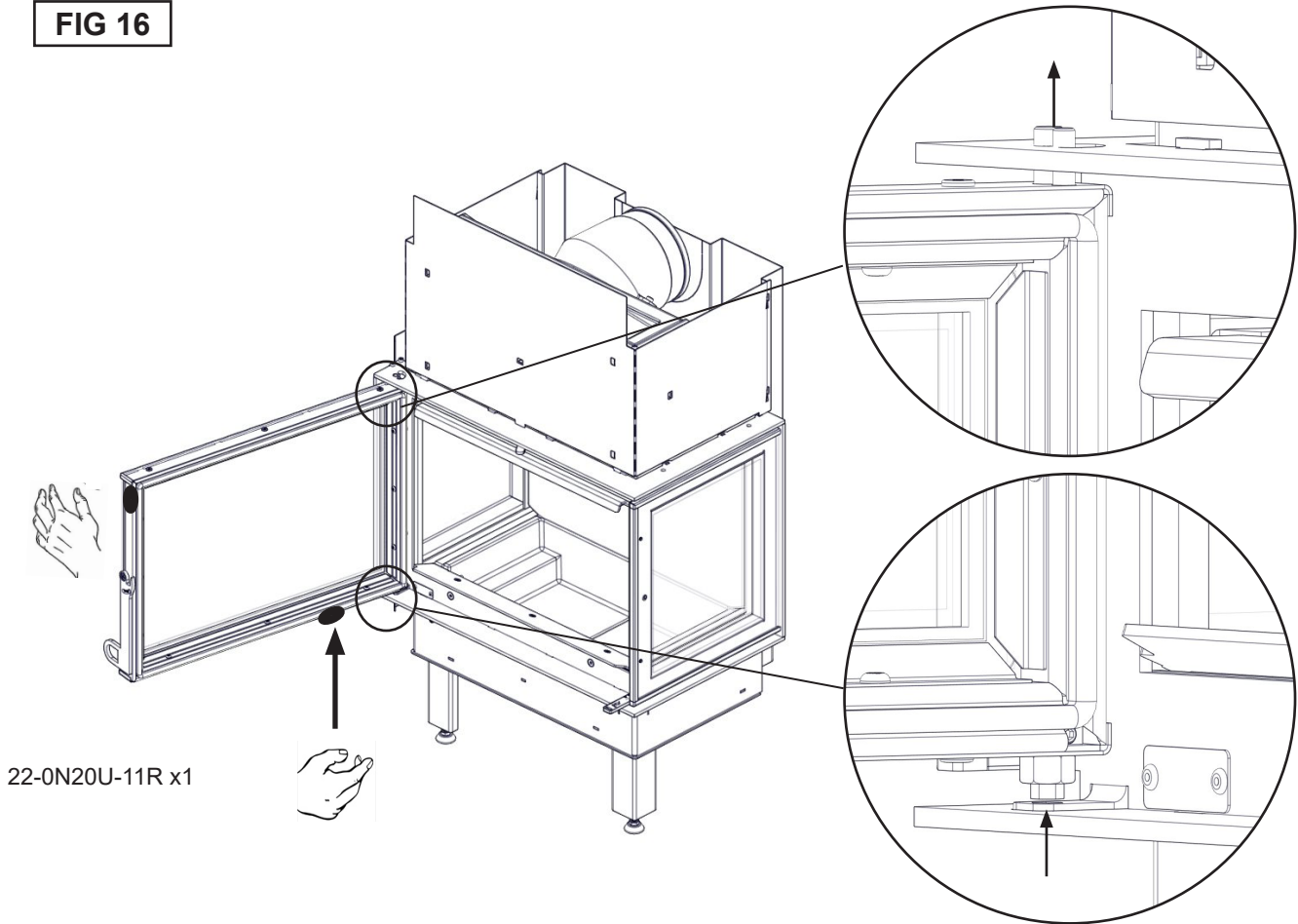


FIG 16b

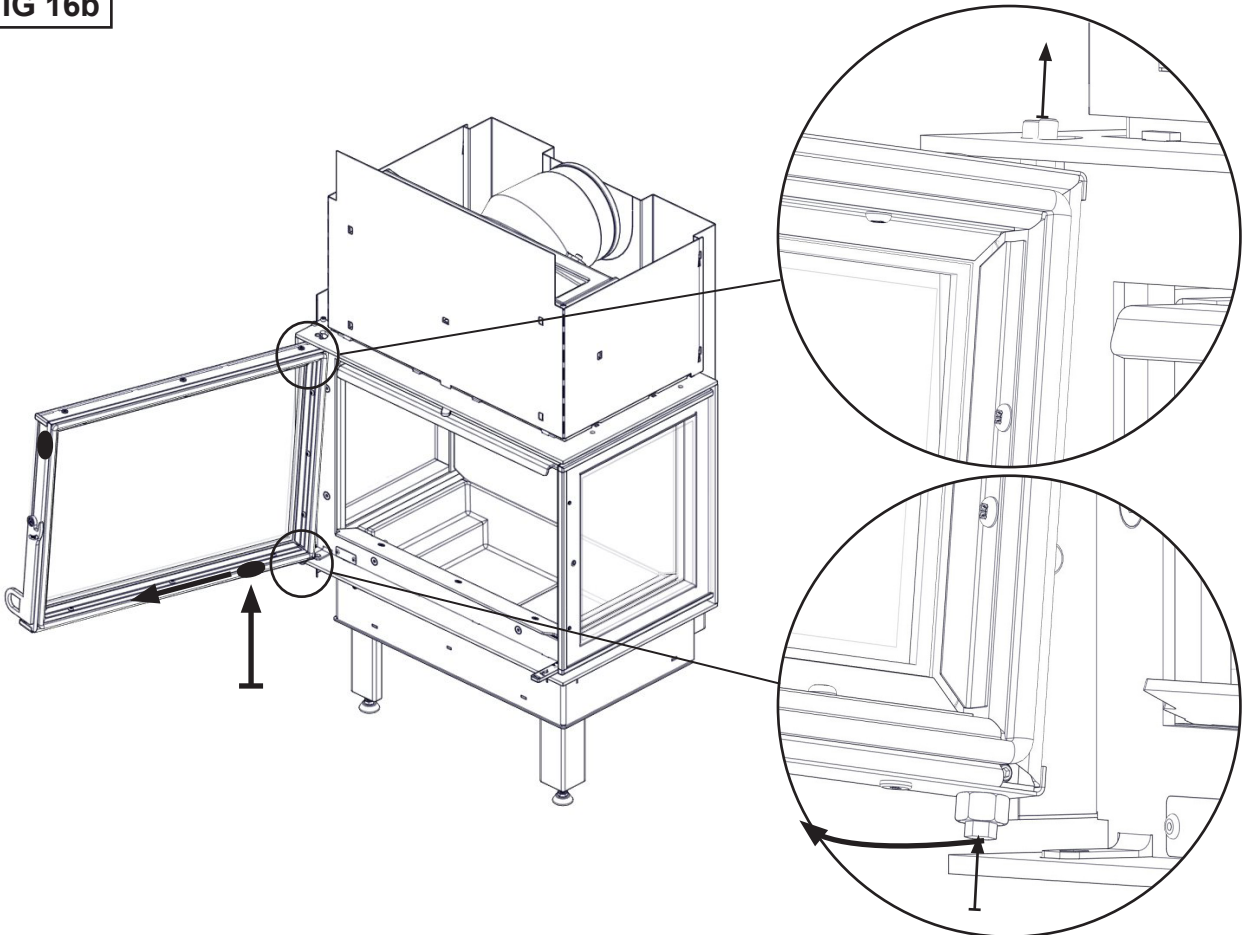


FIG 16c

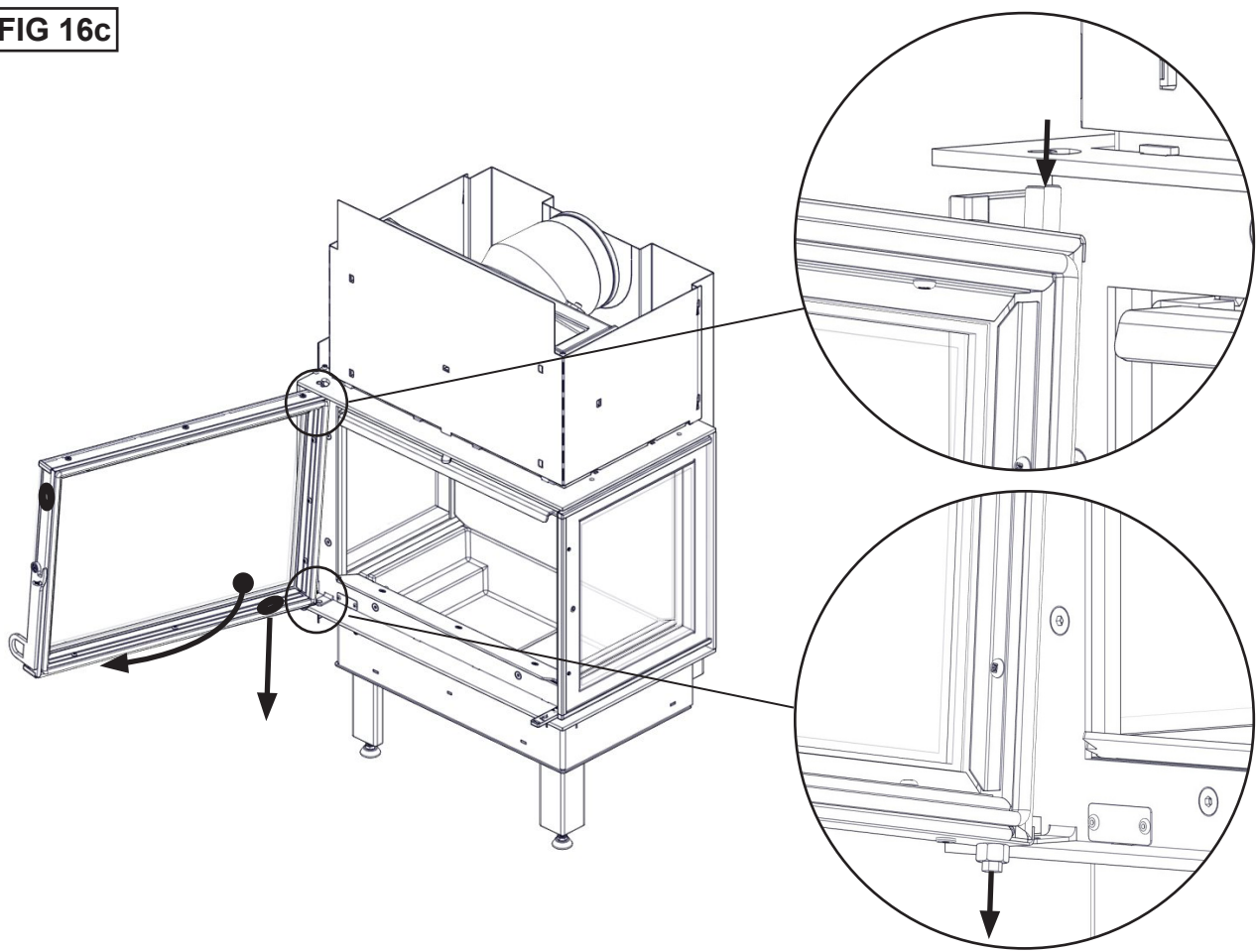
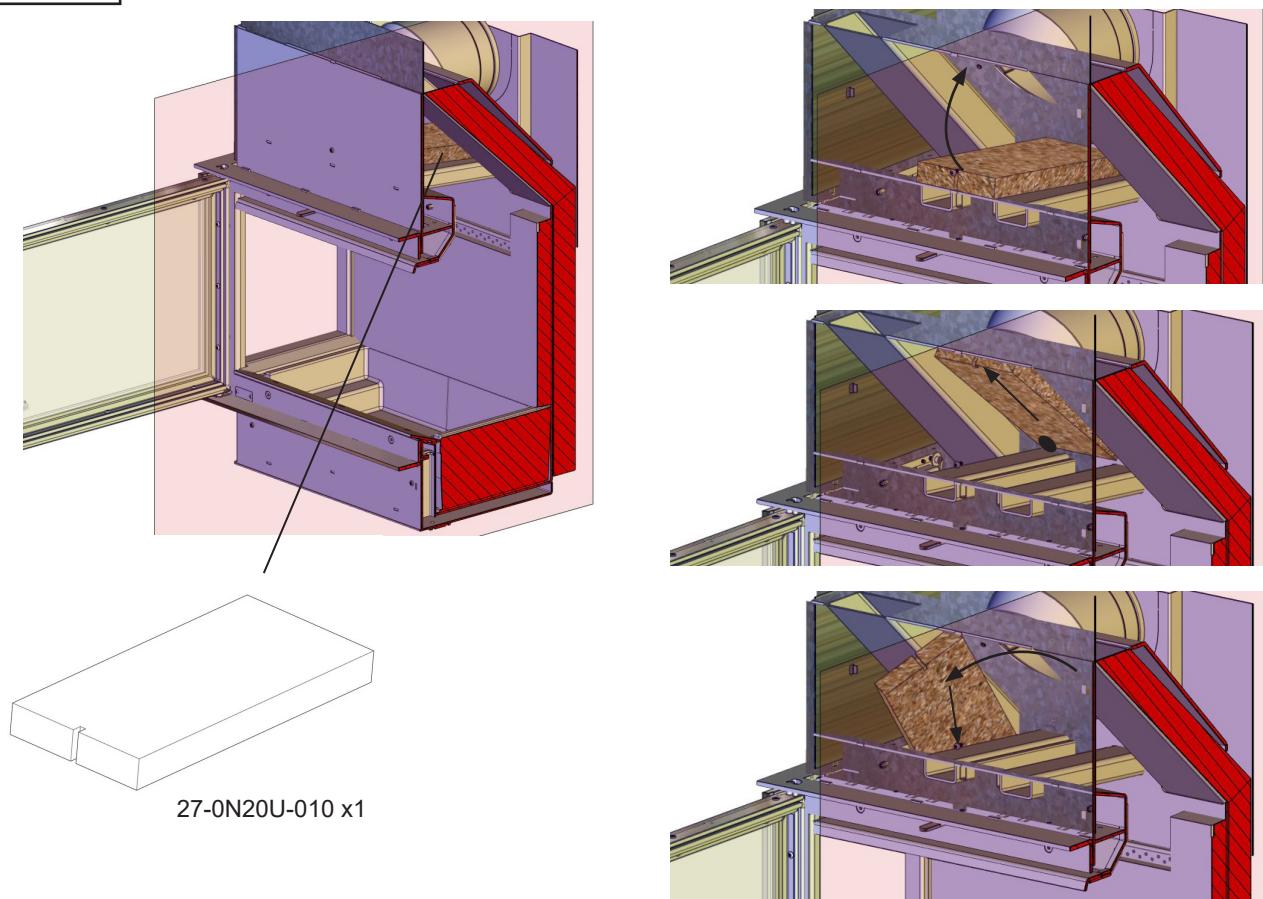


FIG 17



27-0N20U-010 x1

Nordpeis AS

Gjellebekkstubben 11
3420 Lierskogen, Norway
N-20A-CPR-2016/02/02



EN 13229:2001/A2:2004/AC:2007.

N-20A

Heating of living accomodation / Kamin zum Heizen mit festen Brennstoffen

Fire safety:	Feuersicherheit :	
Reaction to fire:	Brandverhalten:	A1 WT
Distance to non-combustible:	Abstand zu nicht brennbaren materialien	
Behind :	Hinten :	15 mm
Beside :	Seitlich :	400 mm (*)
Emission of combustion	Emissionswerte:	CO: 0,09% vol
		NOx: 32mg/Nm ³
		OGC: 69 mg/Nm ³
		PM: 11,5 mg/m ³
Surface temperature:	Oberflächentemperatur:	Pass / Bestanden
Machanical resistance:	Mechanischer Widerstand:	Pass / Bestanden
Cleanability:	Reinigungsfähigkeit:	Pass / Bestanden
Thermal Output	Nennwärmeleistung - NWL	5,4 kW
Energy efficiency:	Wirkungsgrad:	81,9 %
Flue gas temperature:	Abgastemperatur:	196,4 °C
Fuel types:	Brennstoff:	Wood logs / Scheitholz

Intermittent burning / Zeitbrandfeuerstätte

(*) Read and follow the manual / Lesen und befolgen Sie die Bedienungsanleitung

Double allocation is acceptable / Mehrfachbelegung des Schornsteins ist zulässig

Complies with / Entspricht folgenden Standards:

15A BVG
NS 3058 / 3059
LRV of Switzerland
BlmSchV 1, 2

Test report / Prüfbericht Nr :

SPFR: 20012-33B

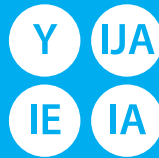
SN:

Technical parameters for solid fuel local space heaters

Model identifier(s): N-20A							
Indirect heating functionality: no							
Direct heat output: 5,4 (kW)							
Fuel	Preferred fuel (only one):			Other suitable fuel(s):			
Wood logs with moisture content $\leq 25\%$	yes			no			
Compressed wood with moisture content $< 12\%$	no			no			
Other woody biomass	no			no			
Non-woody biomass	no			no			
Anthracite and dry steam coal	no			no			
Hard coke	no			no			
Low temperature coke	no			no			
Bituminous coal	no			no			
Lignite briquettes	no			no			
Peat briquettes	no			no			
Blended fossil fuel briquettes	no			no			
Other fossil fuel	no			no			
Blended biomass and fossil fuel briquettes	no			no			
Other blend of biomass and solid fuel	no			no			
Characteristics when operating with the preferred fuel							
Seasonal space heating energy efficiency η_s [%]: 81,9							
Energy Efficiency Index (EEI): 109,8							
Item	Symbol	Value	Unit	Item	Symbol	Value	Unit
Heat output				Useful efficiency (NCV as received)			
Nominal heat output	P_{nom}	5,4	kW	Useful efficiency at nominal heat output	$\eta_{th,nom}$	81,9	%
Auxiliary electricity consumption				Type of heat output/room temperature control (select one)			
At nominal heat output	e_{lmax}		kW	single stage heat output, no room temperature control		no	
At minimum heat output	e_{lmin}		kW	two or more manual stages, no room temperature control		yes	
In standby mode	e_{lSB}		kW	with mechanic thermostat room temperature control		no	
				with electronic room temperature control		no	
				with electronic room temperature control plus day timer		no	
				with electronic room temperature control plus week timer		no	
				Other control options (multiple selections possible)			
				room temperature control, with presence detection		no	
				room temperature control, with open window detection		no	
				with distance control option		no	
Permanent pilot flame power requirement							
Pilot flame power requirement (if applicable)	P_{pilot}		kW				
Contact details	Name and address of the supplier: Nordpeis AS, Gillebekkstubben 11, N-3420 LIERSKOGEN, Norway						

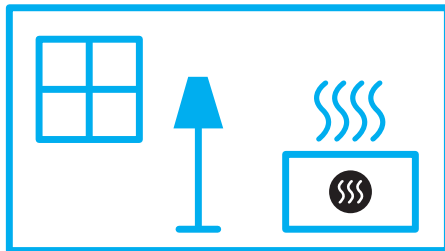
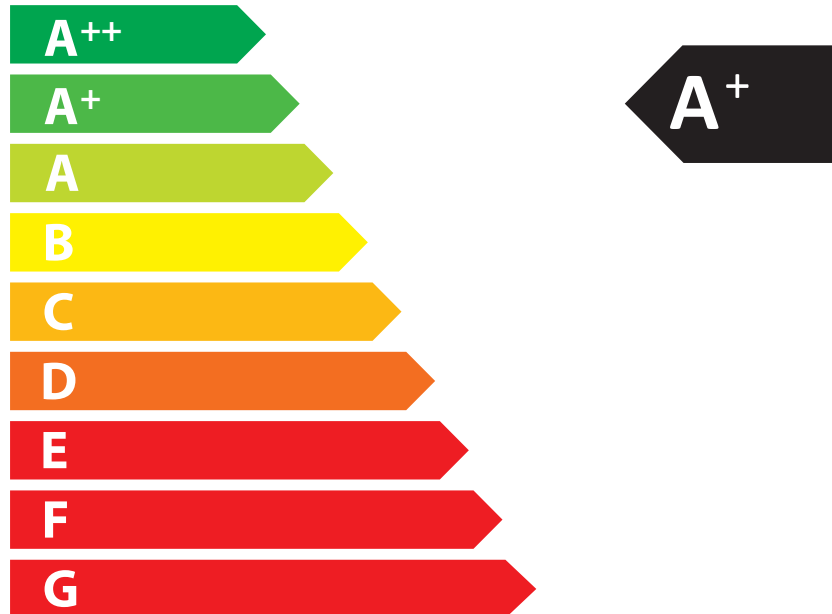


ENERG
енергия · ενεργεια



Nordpeis AS.

Nordpeis N-20A



5,4
kW

ENERGIA · ЕНЕРГИЯ · ΕΝΕΡΓΕΙΑ · ENERGIJA · ENERGY · ENERGIE · ENERGI

2015/1186



Nordpeis AS, Gjellebekkstubben 11, N-3420 LIERSKOGEN, Norway
www.nordpeis.no