



CLD/L

Pneumatic Torque Multiplier

Applications

- Pneumatic torque multipliers for torques up to 1,900 Nm.
- Continuous rotation tightening or loosening of all heavy duty fastening connections.
- Perfect for bolted applications in hazardous, explosive environments.

Advantages

- **Quick, compact, and safe** for fast joint assembly.
- The 360 degree rotating handle ensures **comfortable operation**. No reaction forces are transferred to the operator.
- **Permanently higher joint quality** (compared to impact and hydraulic wrenches) by continuous rotation of the square drive.

alkitronic® specials

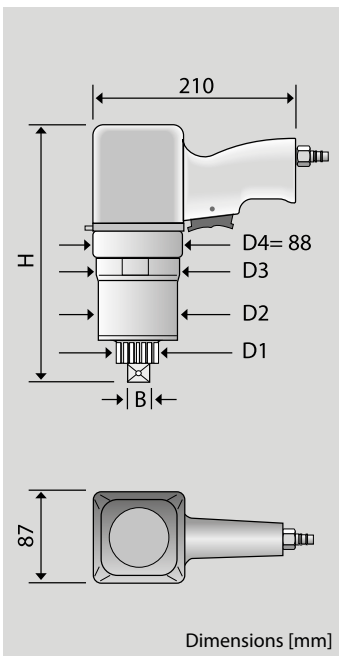
- **Simple 1-finger operation** for right/left rotation, option to enable the reaction to be locked in one position.
- **Robust cast aluminum housing** with proven pneumatic drive.
- **Proven high-performance gears**, produced in a chip-free, high-precision process to produce high loads with low wear.
- Optional **silencer levels to reduce the noise** from the motor exhaust on request.



Technical Data: Models CLD/L

Type		CLD/L 1	CLD/L 2	CLD/L 3	CLD/L 4	CLD/L 5	CLD/L 6	CLD/L 7
Torque range (approx.)*	Nm	70-230	130-400	160-500	300-900	360-1100	500-1450	650-1900
	lbf.ft	50-170	100-290	120-370	220-660	270-810	370-1070	480-1400
Square drive	B	1/2" / 3/4"	3/4"	3/4"	3/4"	3/4"	3/4" / 1"	1"
Diameter (approx.)	D ₁	mm	41	41	41	41	41 / 54	54
Diameter (approx.)	D ₂	mm	85	85	85	85	85	85
Diameter (approx.)	D ₃	mm	88	88	88	88	88	88
Height (approx.)	H	mm	255	255	255	275	275 / 300	300
Weight without DMA (approx.)	kg		6	6	6	7	7	7
Idle speed	rpm		60	34	27	19	13	9

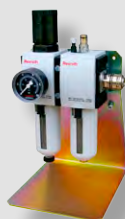
*) When loosening a bolted connection, up to 20% higher torque may be required (loosening torque). We will gladly advise you in detail.



Specifications

Prerequisites for best work with the indicated torques are an operating pressure of 2-7 bar at a volume flow of approx. 10-15 l/s. The torque accuracy depends on the stability of the supply system. The torque control of the pneumatic **alkitronic®** torque multiplier takes place via the air supply or pressure regulator of the Maintenance Unit.

Accessories:
Maintenance Unit, complete with filter, regulator, oiler and 5m hose, incl. couplings.



alki TECHNIK GmbH reserves the right to change specifications without prior notice



alkitronic®
HOME OF TORQUE POWER

alkitronic® products
Made in Germany by

alki TECHNIK GmbH
Development, Production and
Distribution of Bolting Systems

Unterlettenweg 4
85051 Ingolstadt
Germany

fon +49 841 97499-0
fax +49 841 97499-90

info@alkitronic.com
www.alkitronic.com