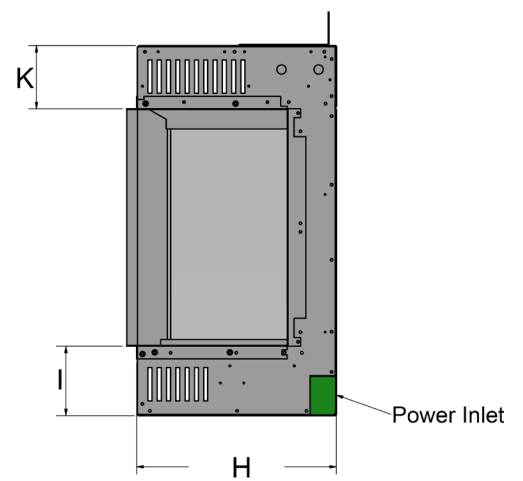
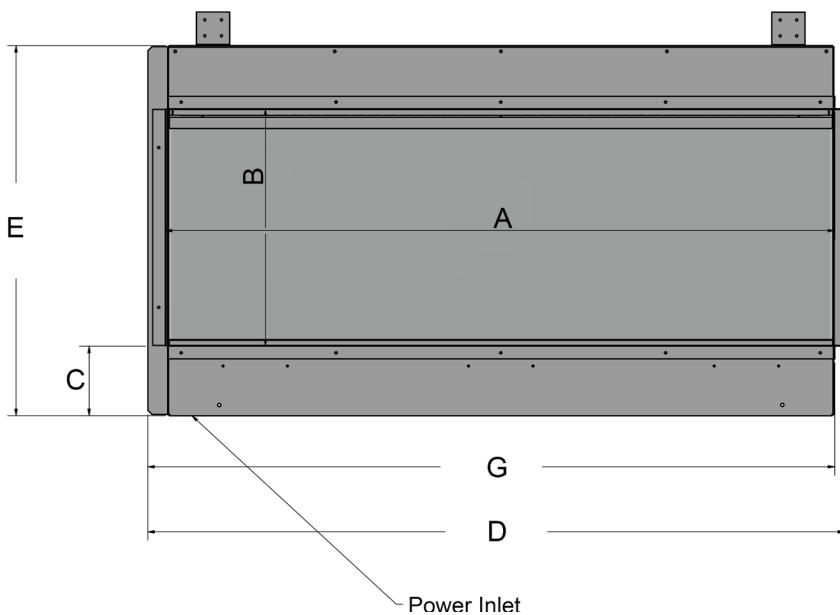
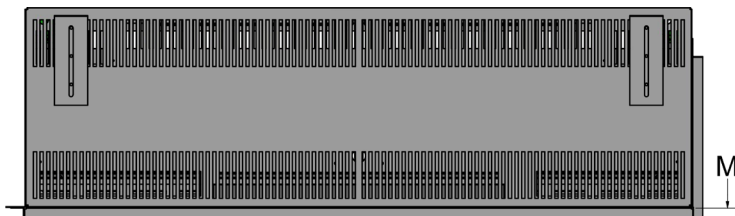
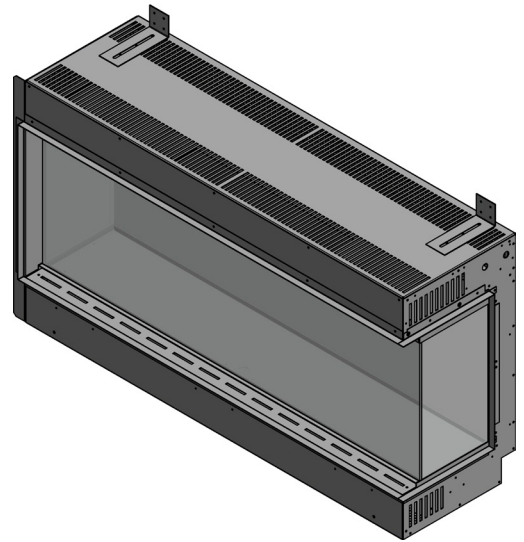


E40 RC shown  
(E40 LC is a mirror image)



LETTER	A	B	C	D	E	G	H	I	K	M
INCHES	39 5/8	14 1/8	4 1/8	41 1/4	22	40 11/16	11 13/16	4 1/8	3 3/4	5/8
[MILLIMETERS]	[1008]	[357]	[105]	[1049]	[557]	[1034]	[301]	[105]	[95]	[15]

This information is for reference only. Please consult the Installation Manual for all details prior to making any design decisions.  
Conversions from millimeters are rounded to the nearest fraction. A DWG file is available at [www.europeanhome.com](http://www.europeanhome.com)