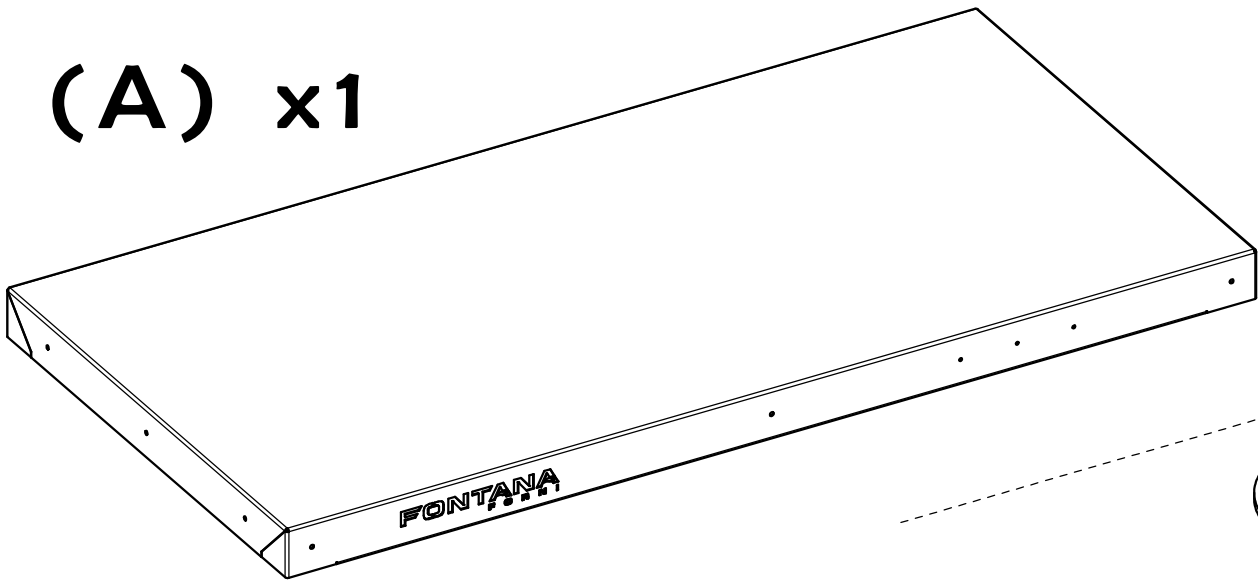
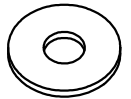


PIZZA DESK

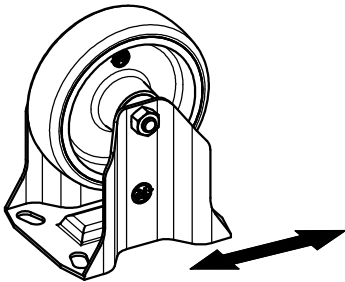
(A) x1



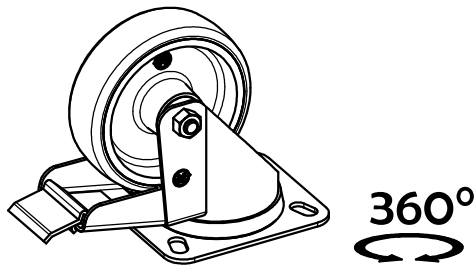
(P) x3



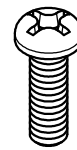
(C) x2



(D) x2

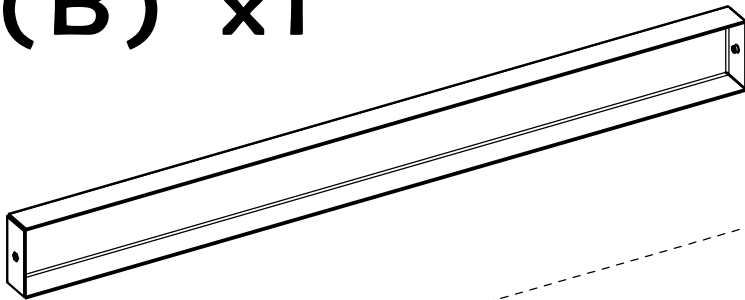


(O) x3



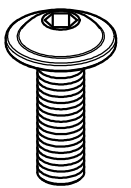
M4x12

(B) x1

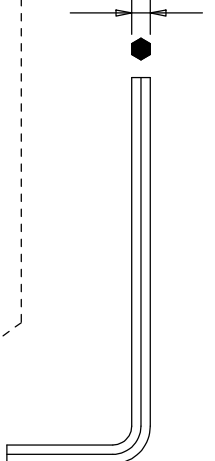


(F) x42

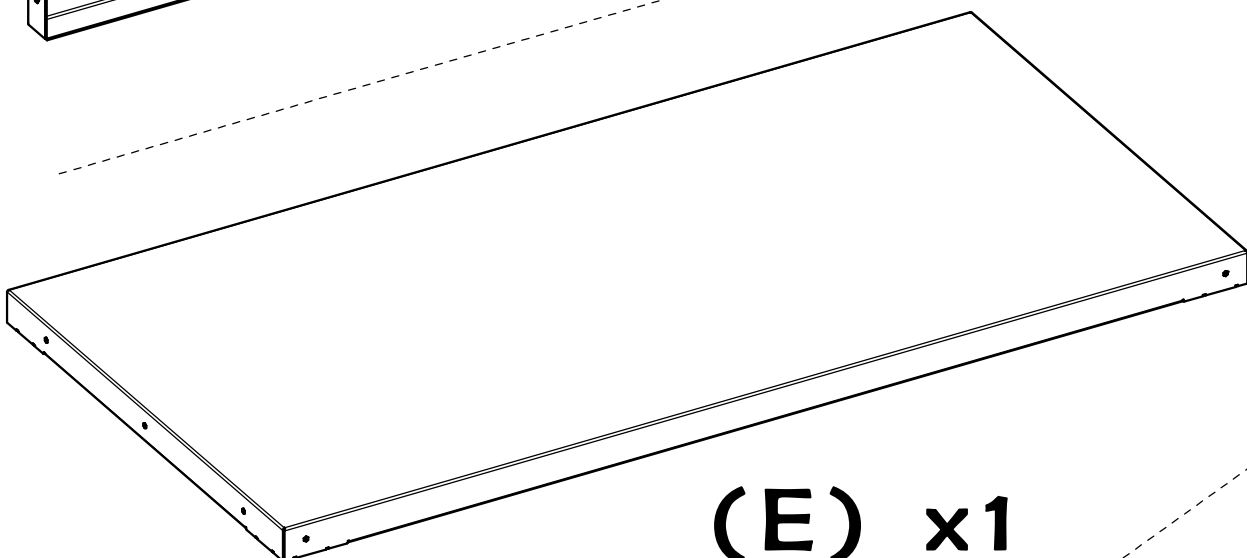
M5x16



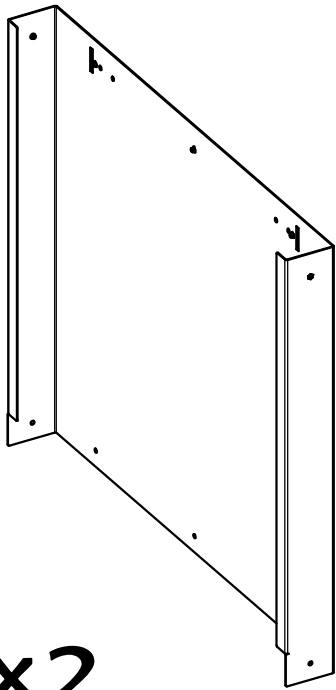
3mm



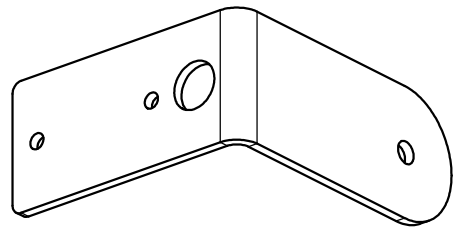
(E) x1



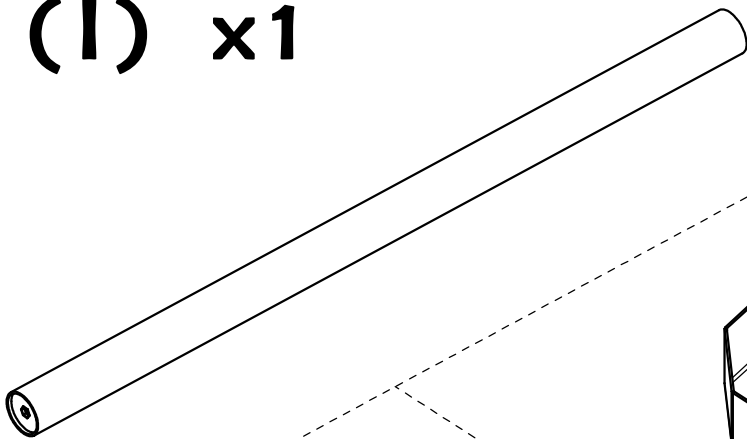
(G) x2



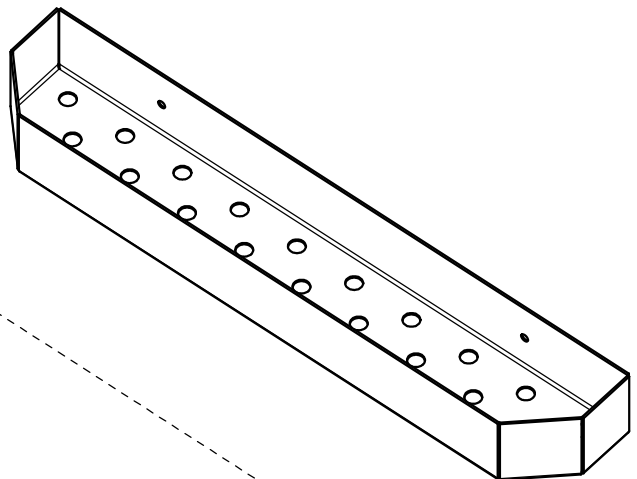
(H) x2



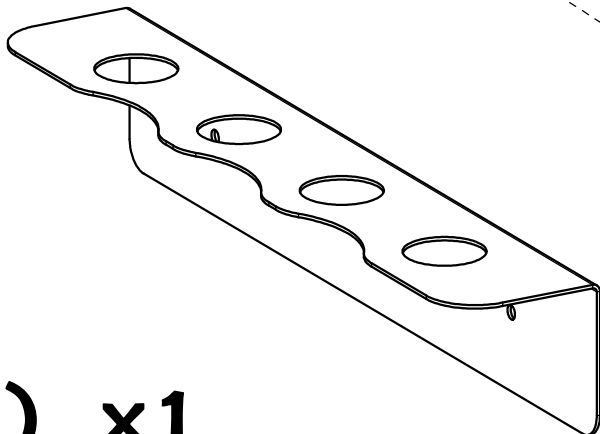
(I) x1



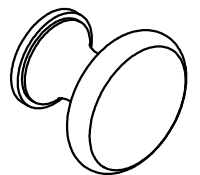
(M) x1



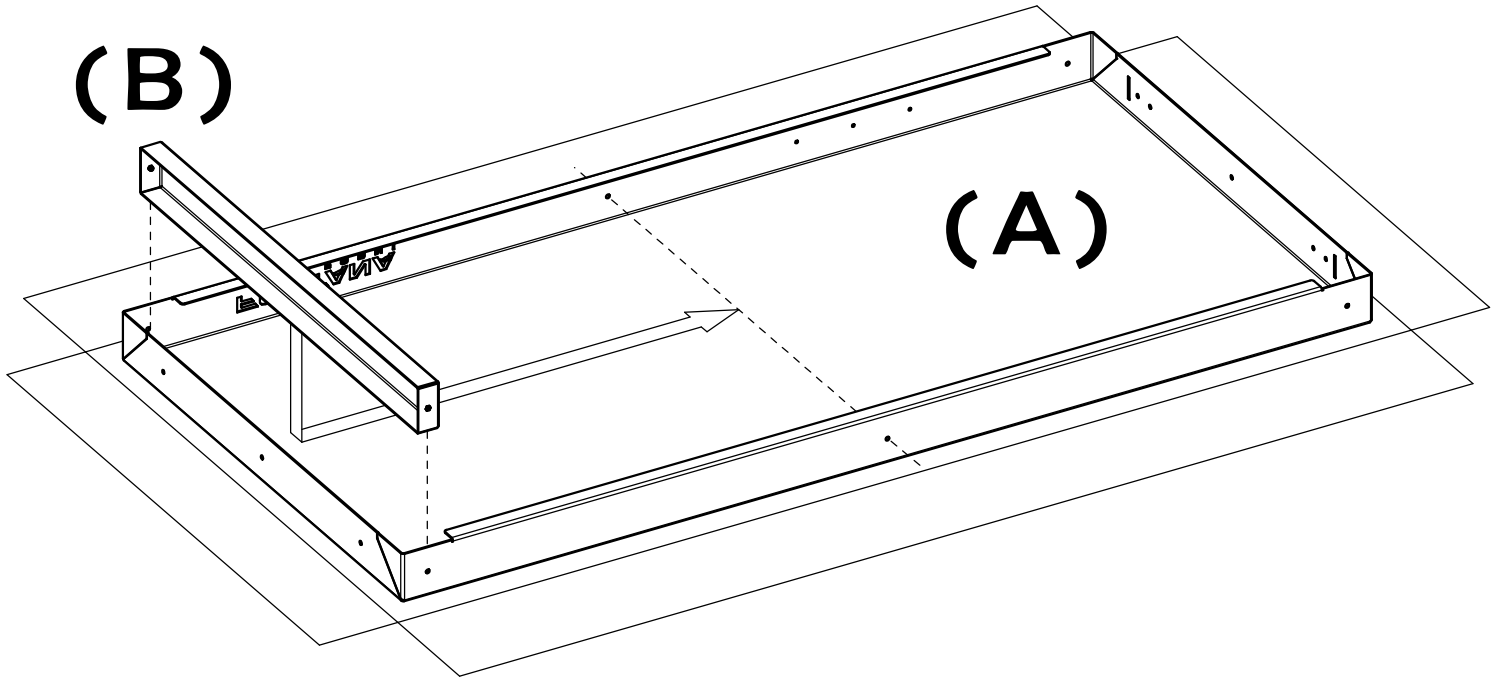
(L) x1



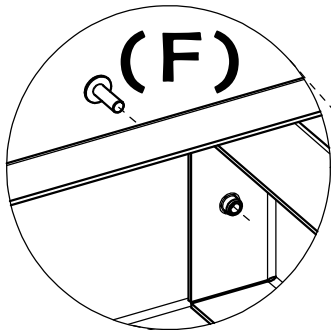
(N) x3



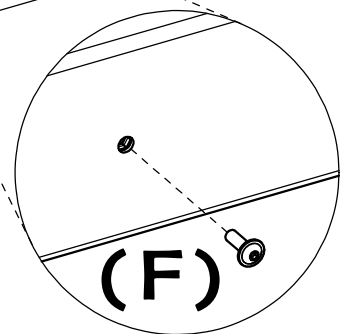
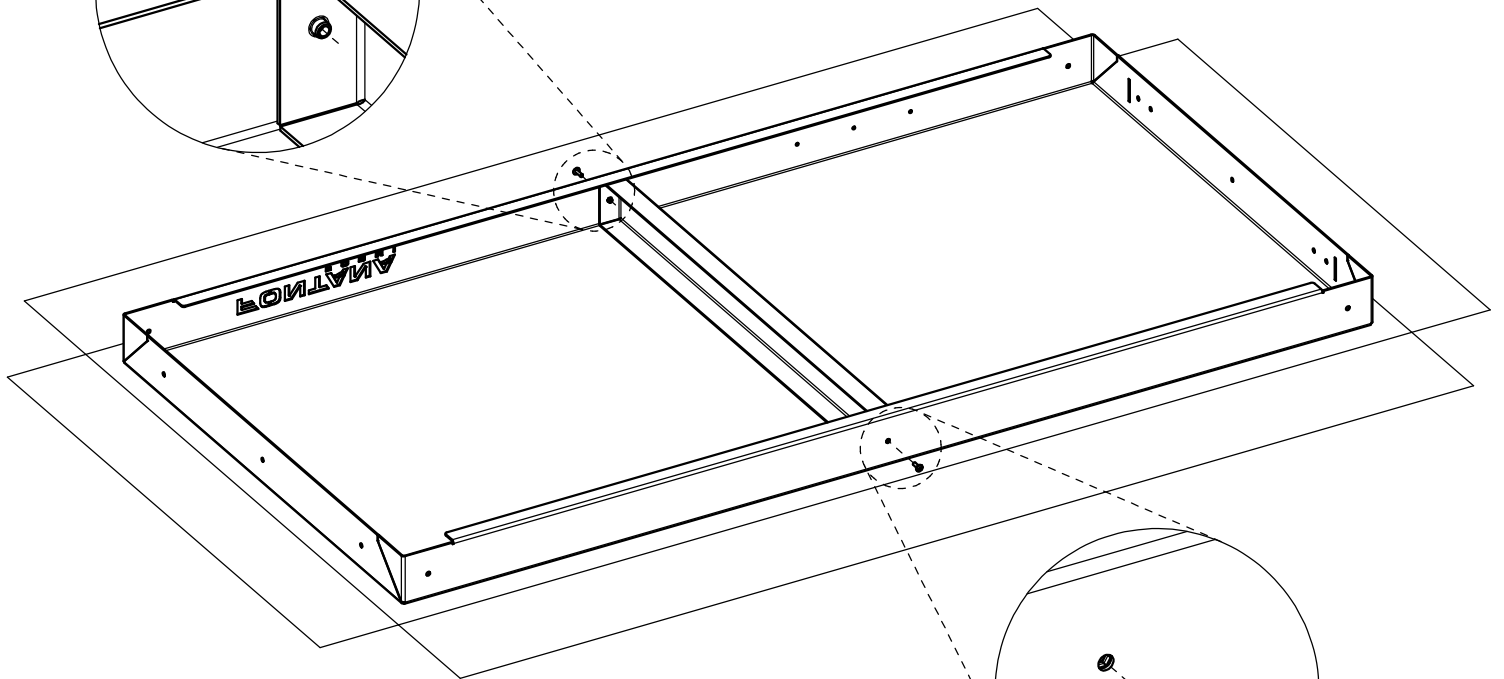
(B)



(A)

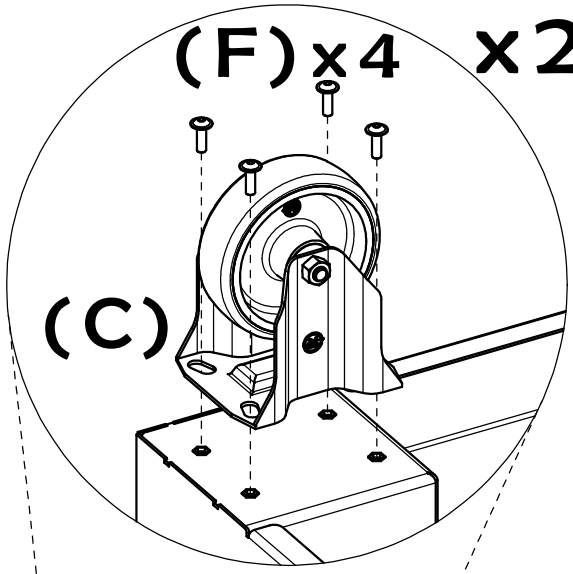


(F)

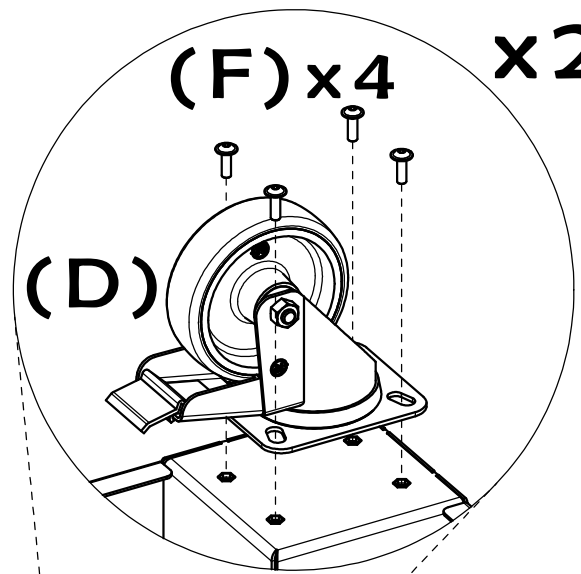


(F)

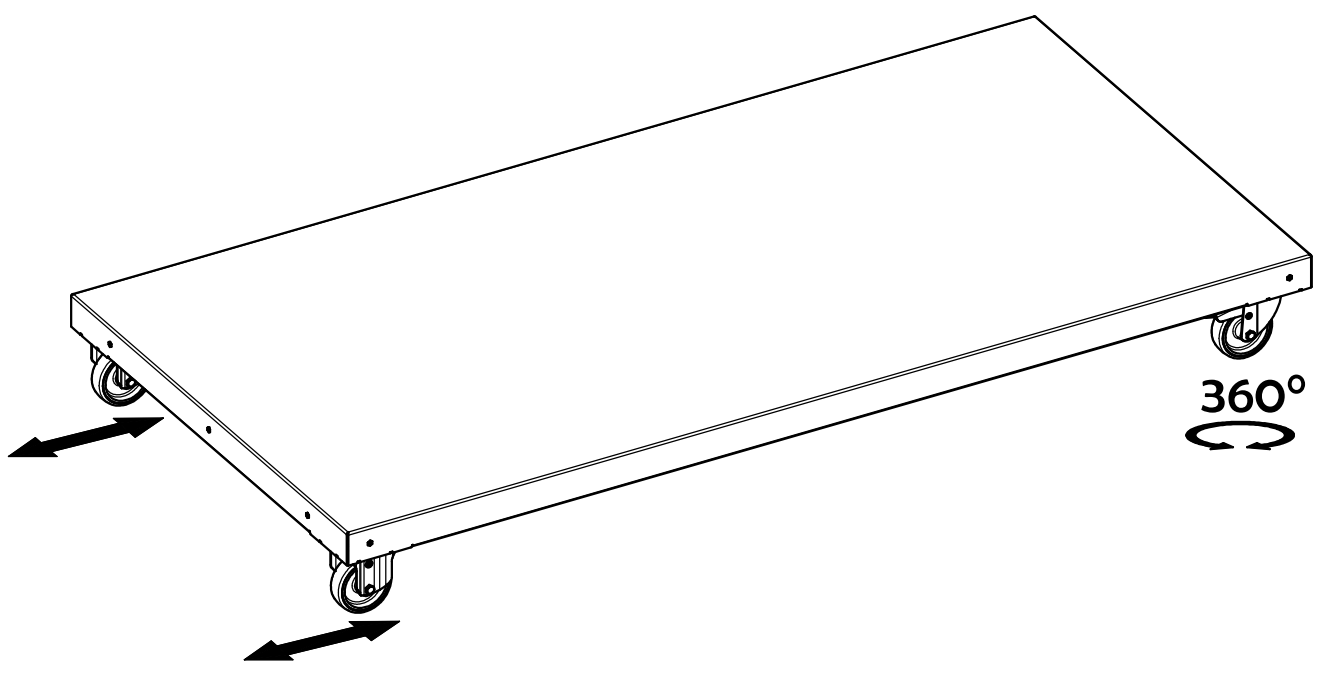
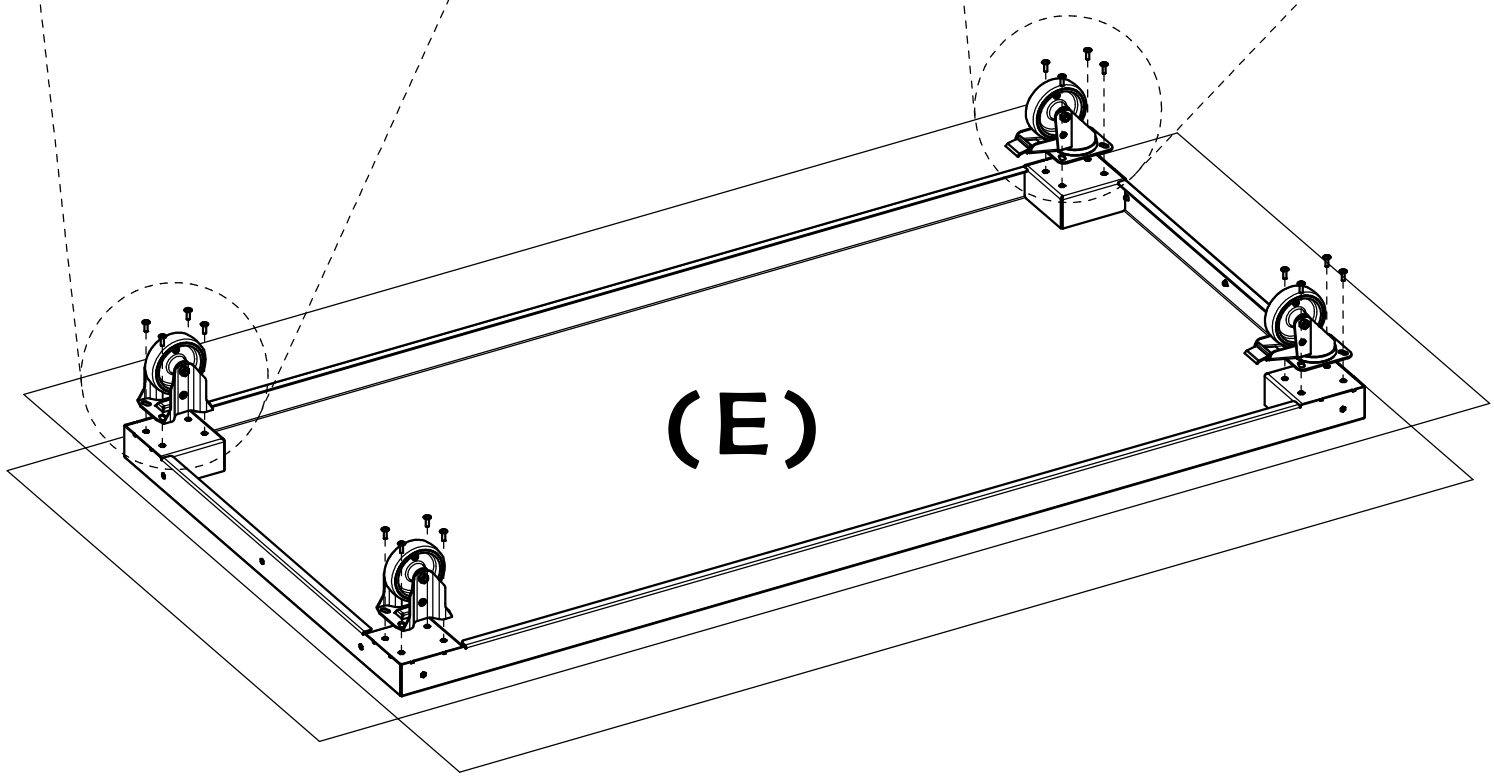
(F) x4 x2

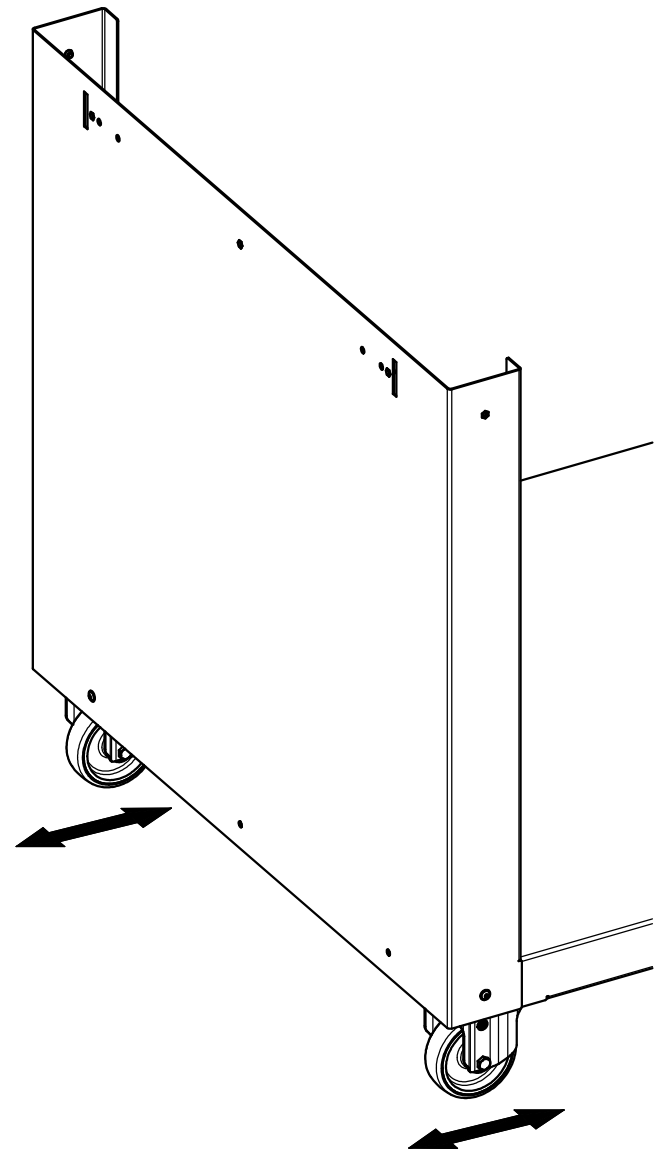
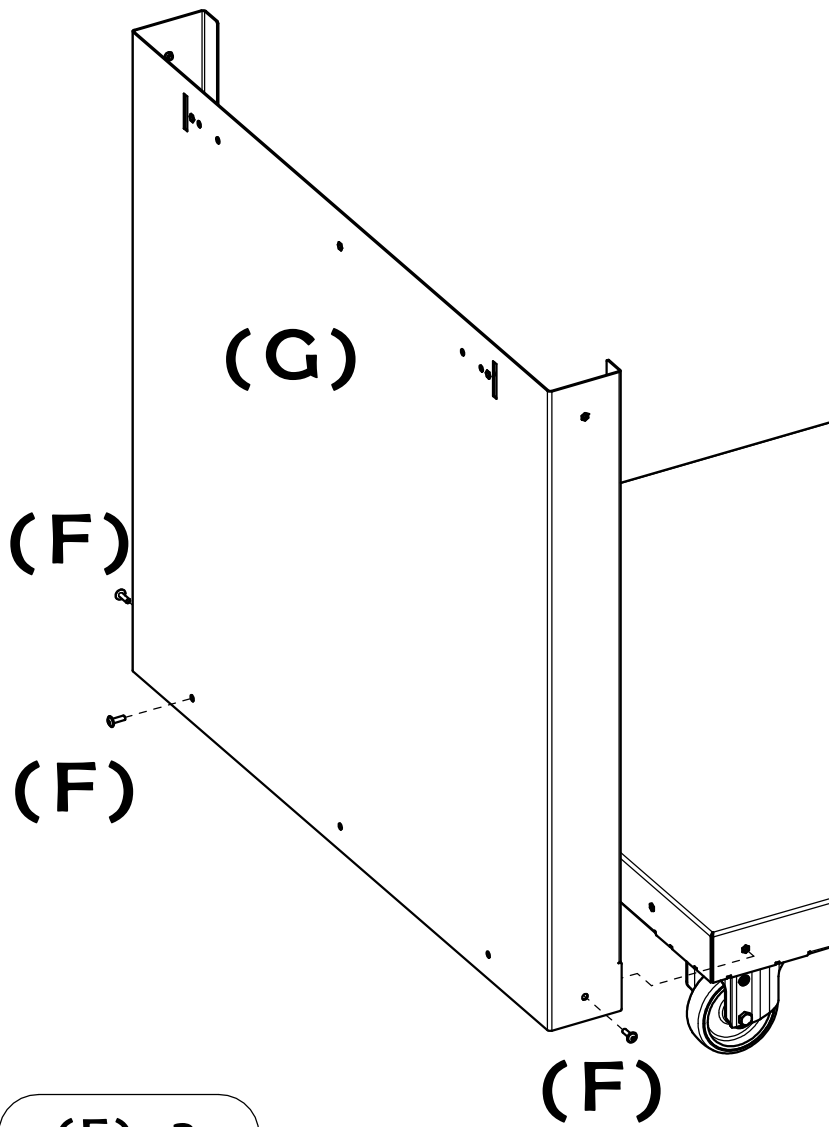
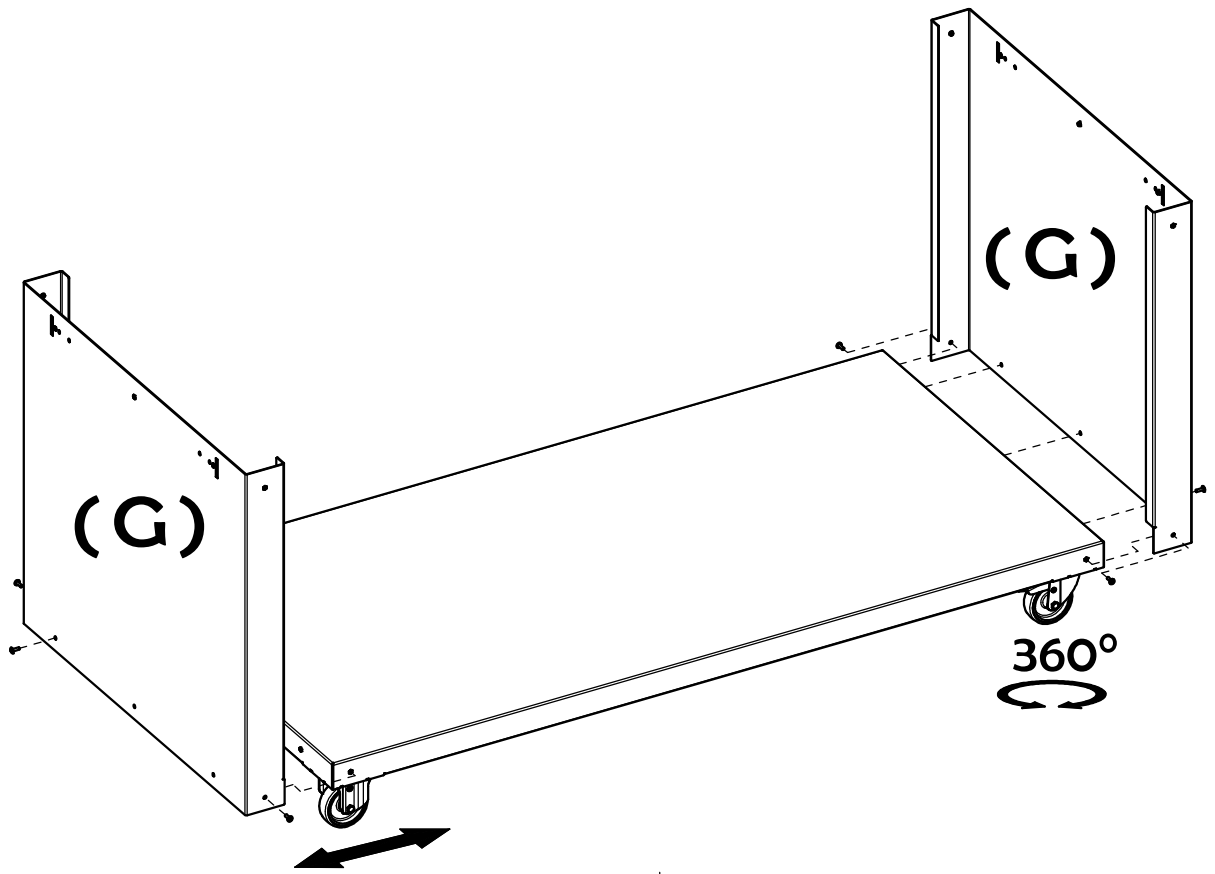


(F) x4 x2

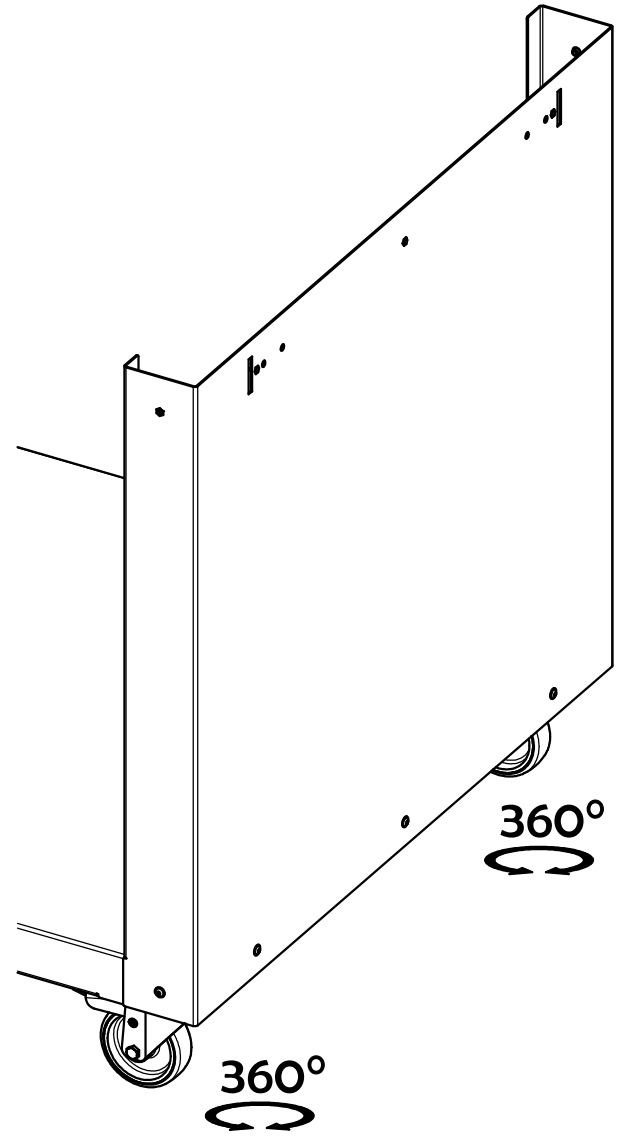
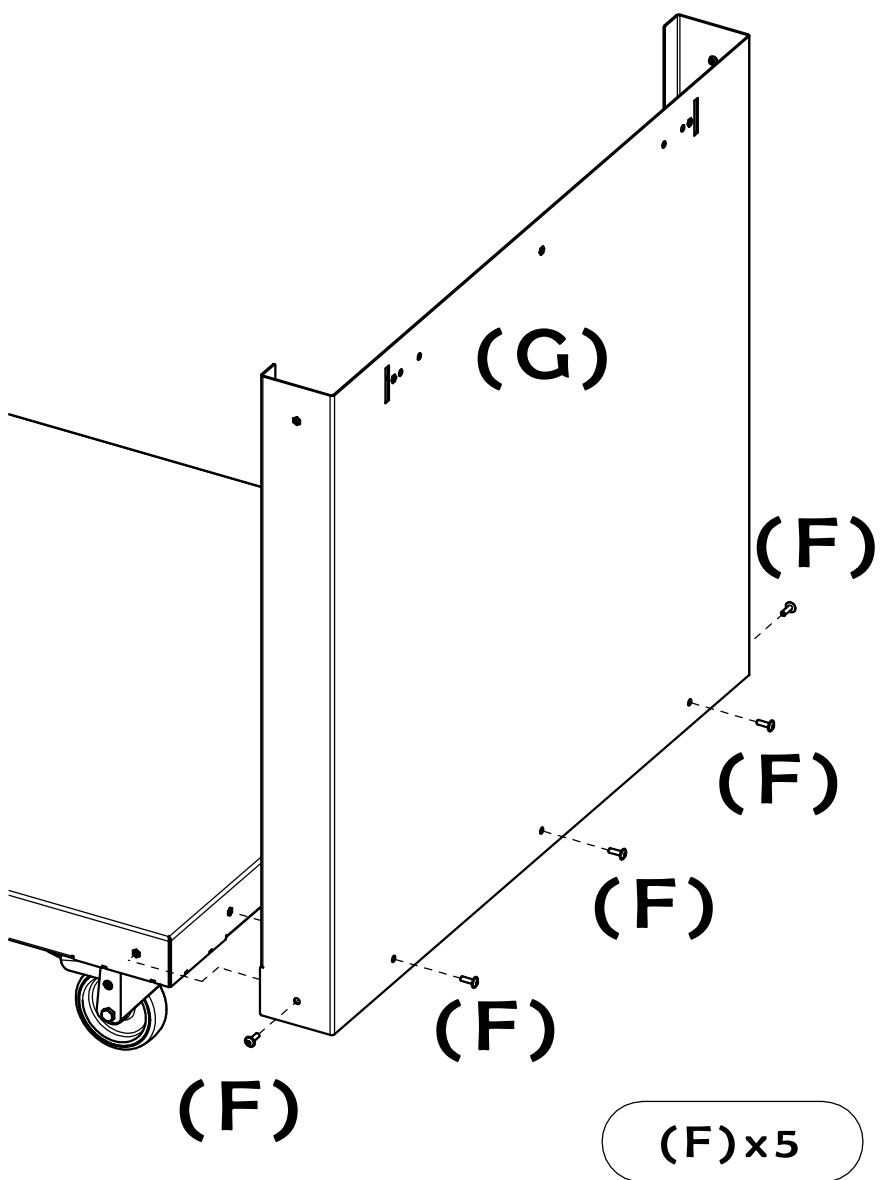
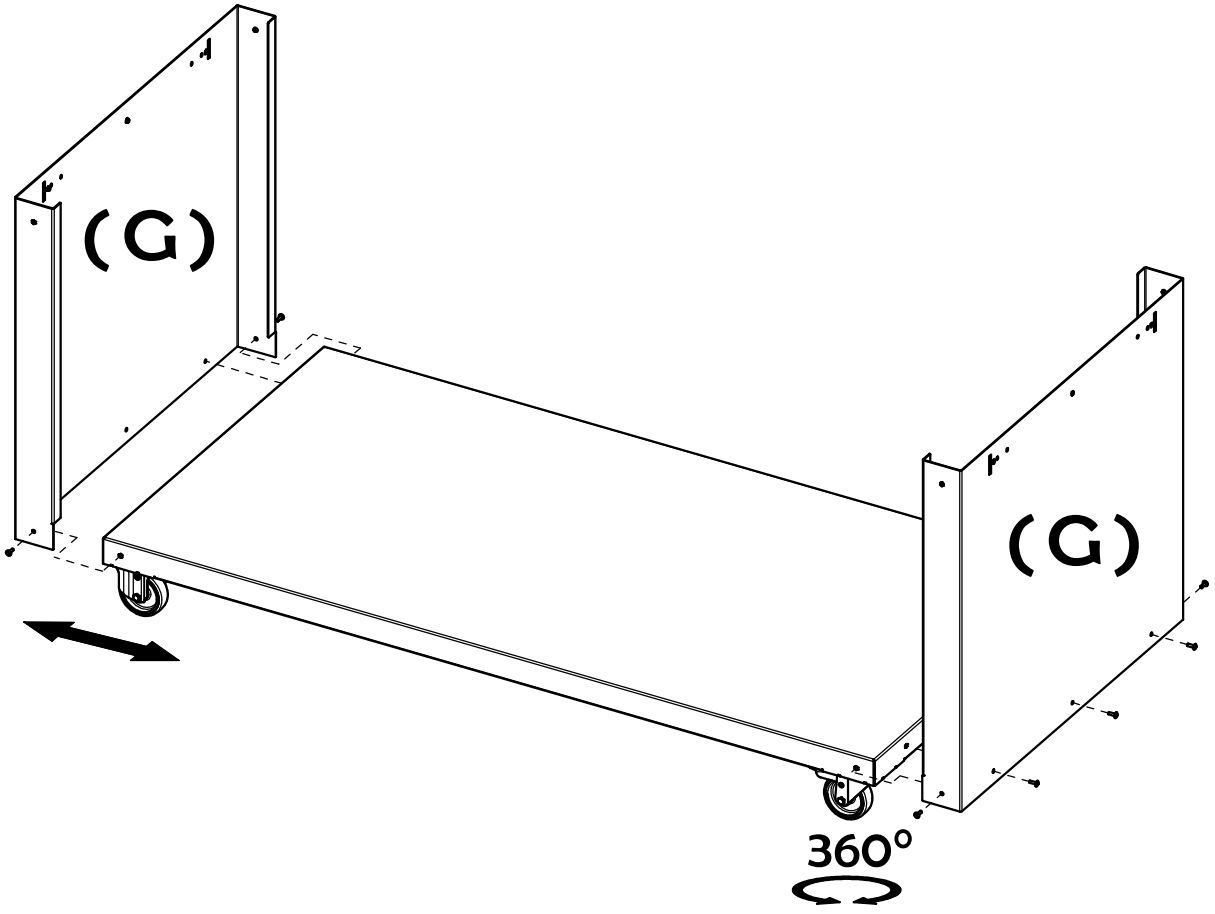


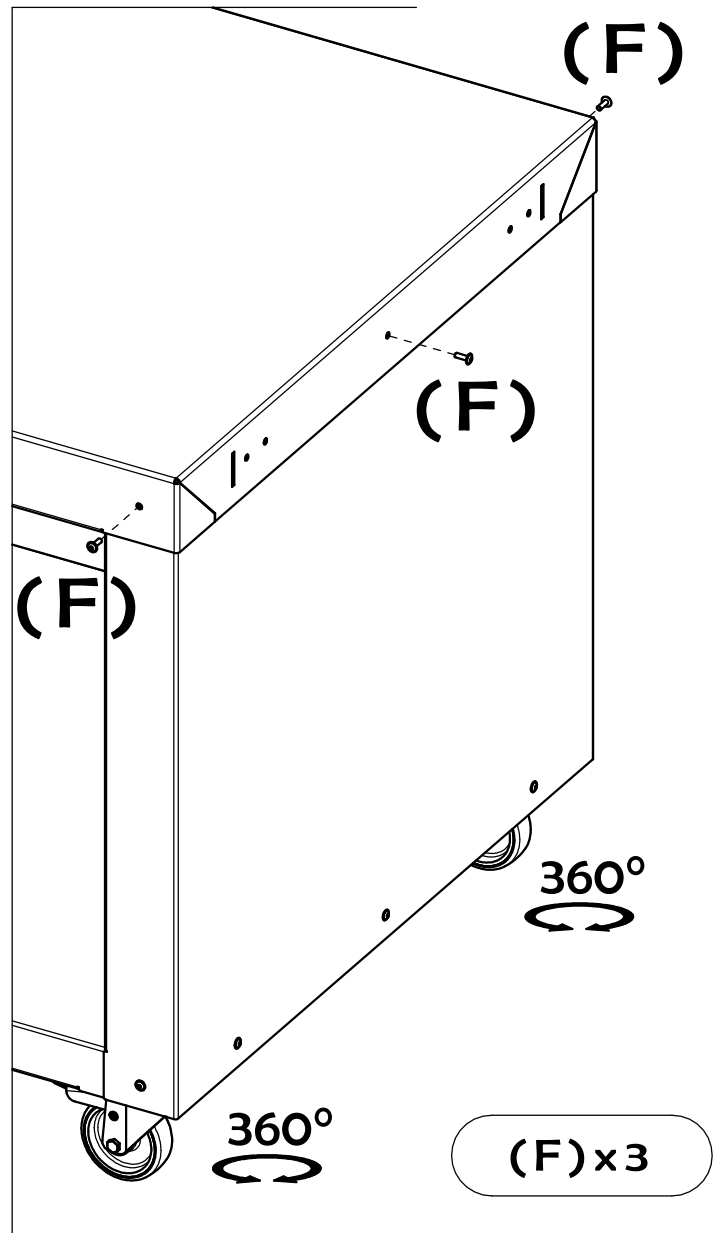
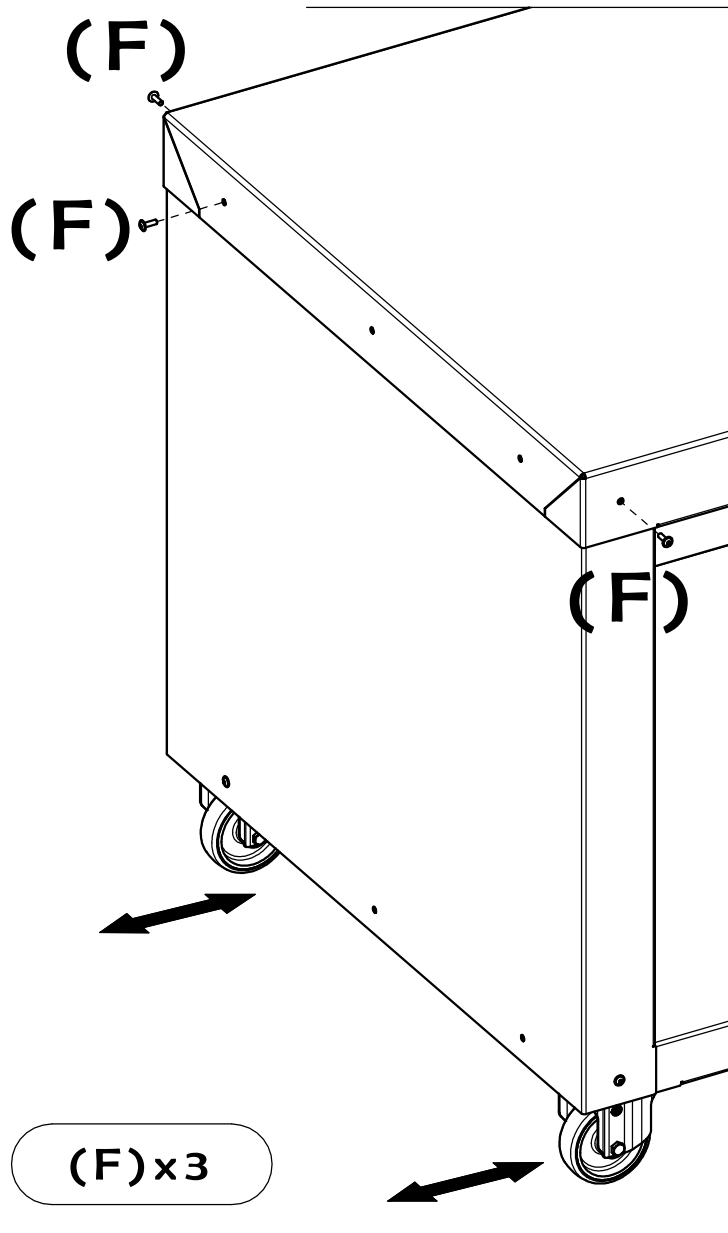
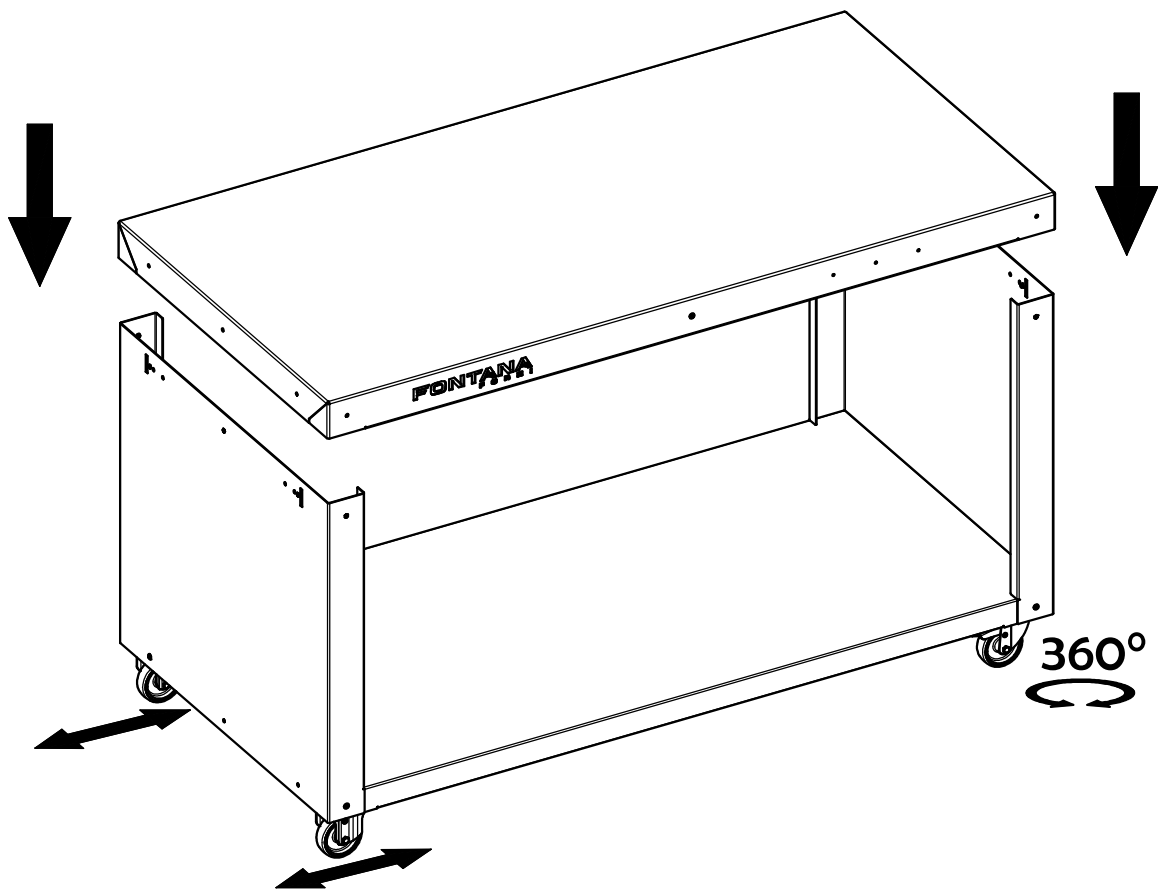
(E)

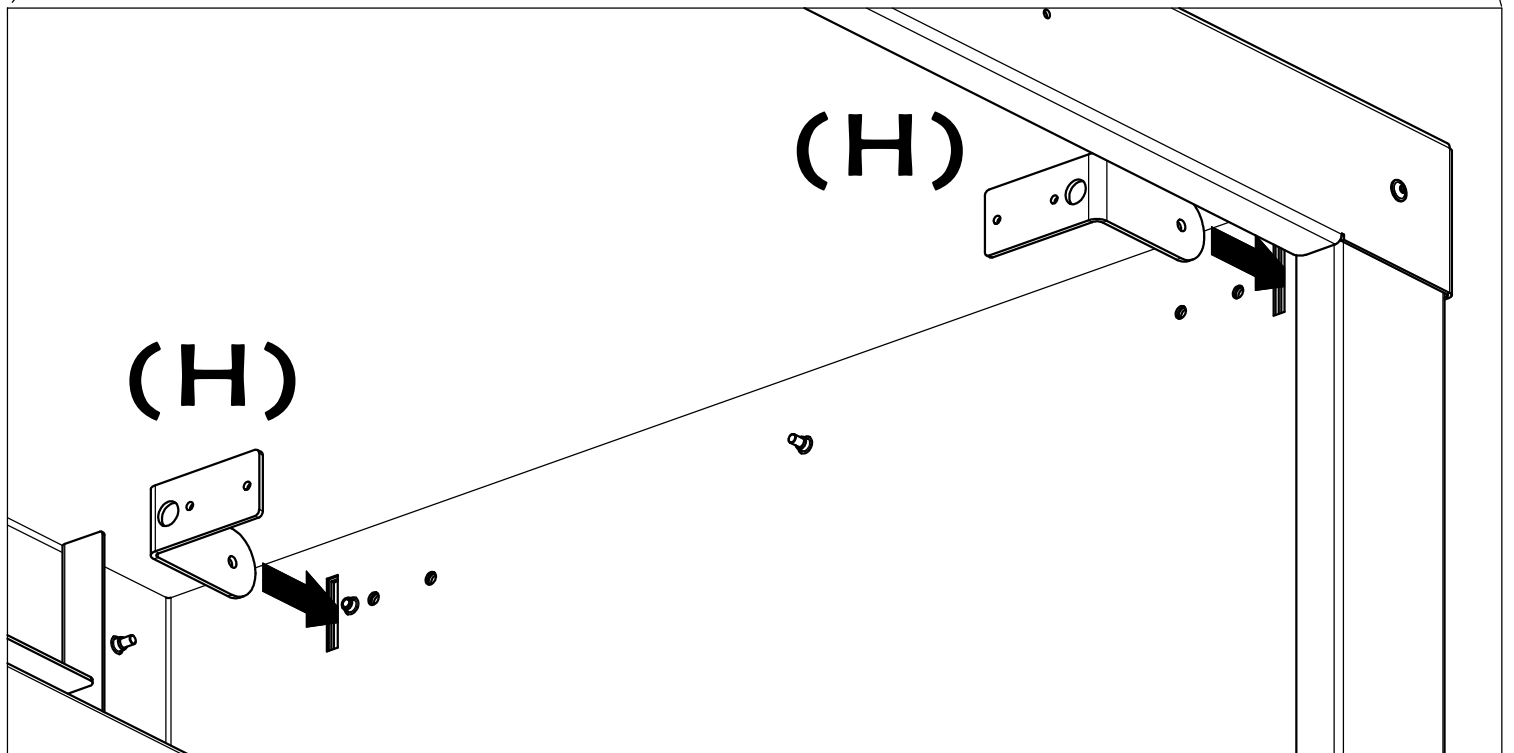
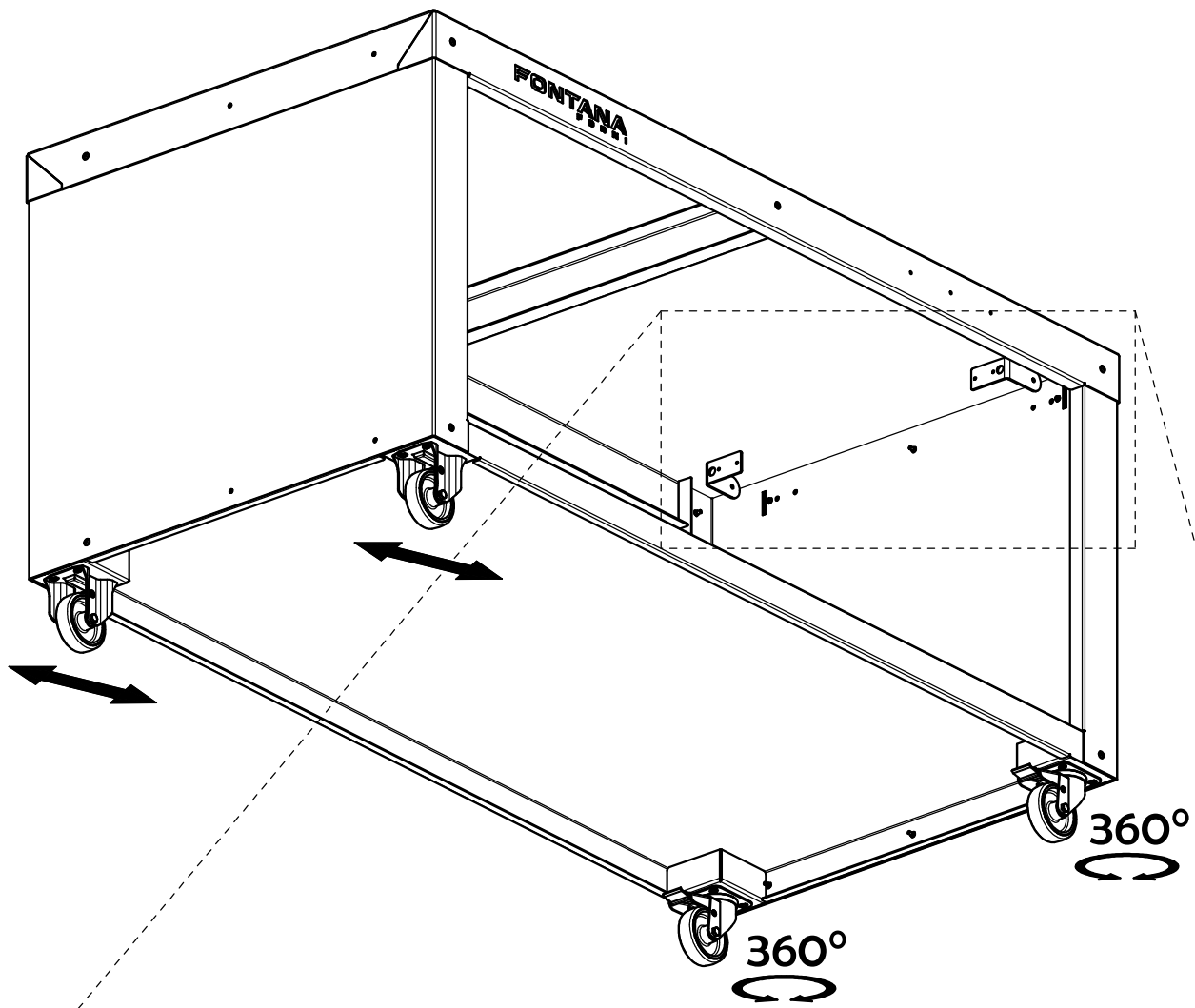


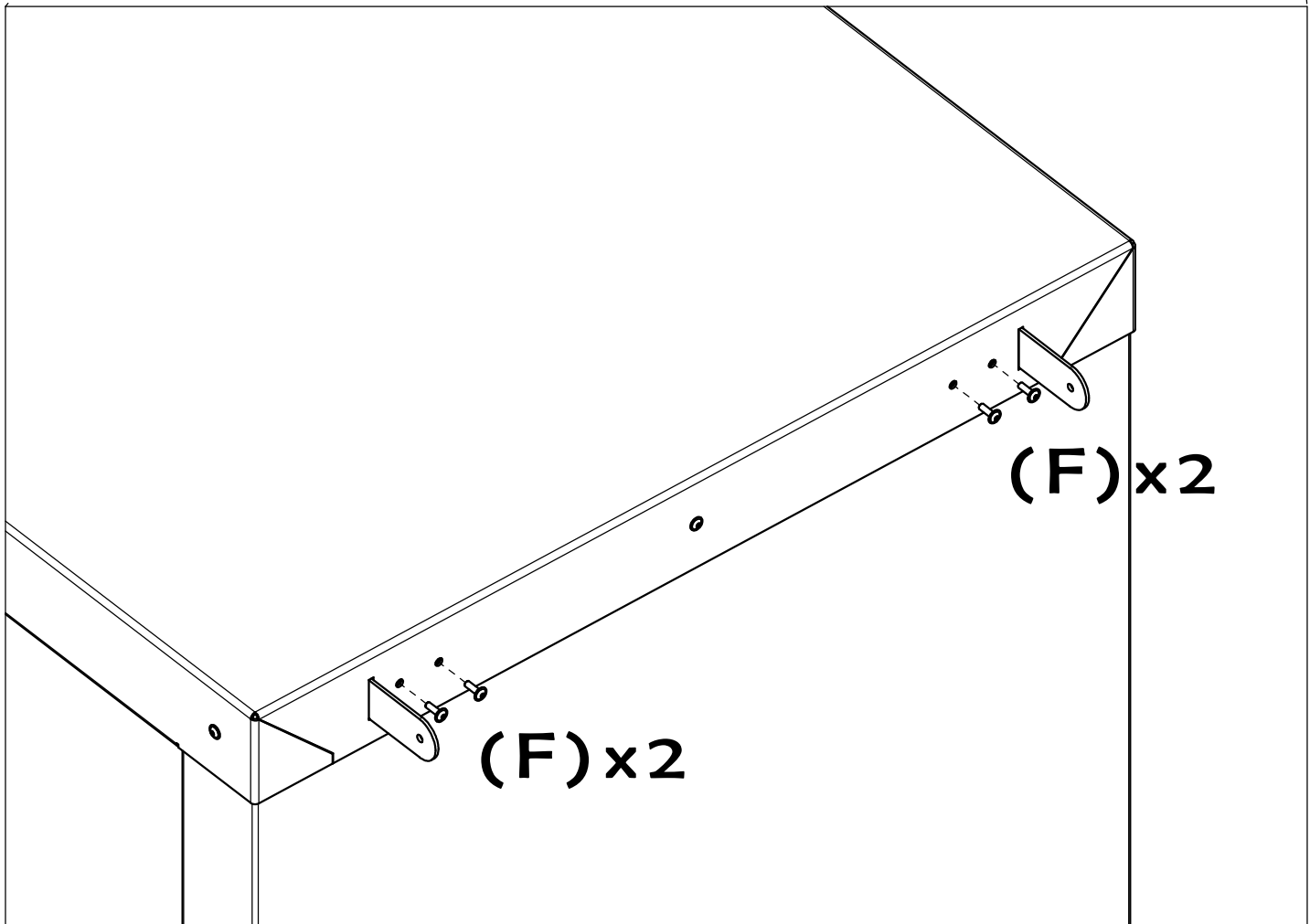
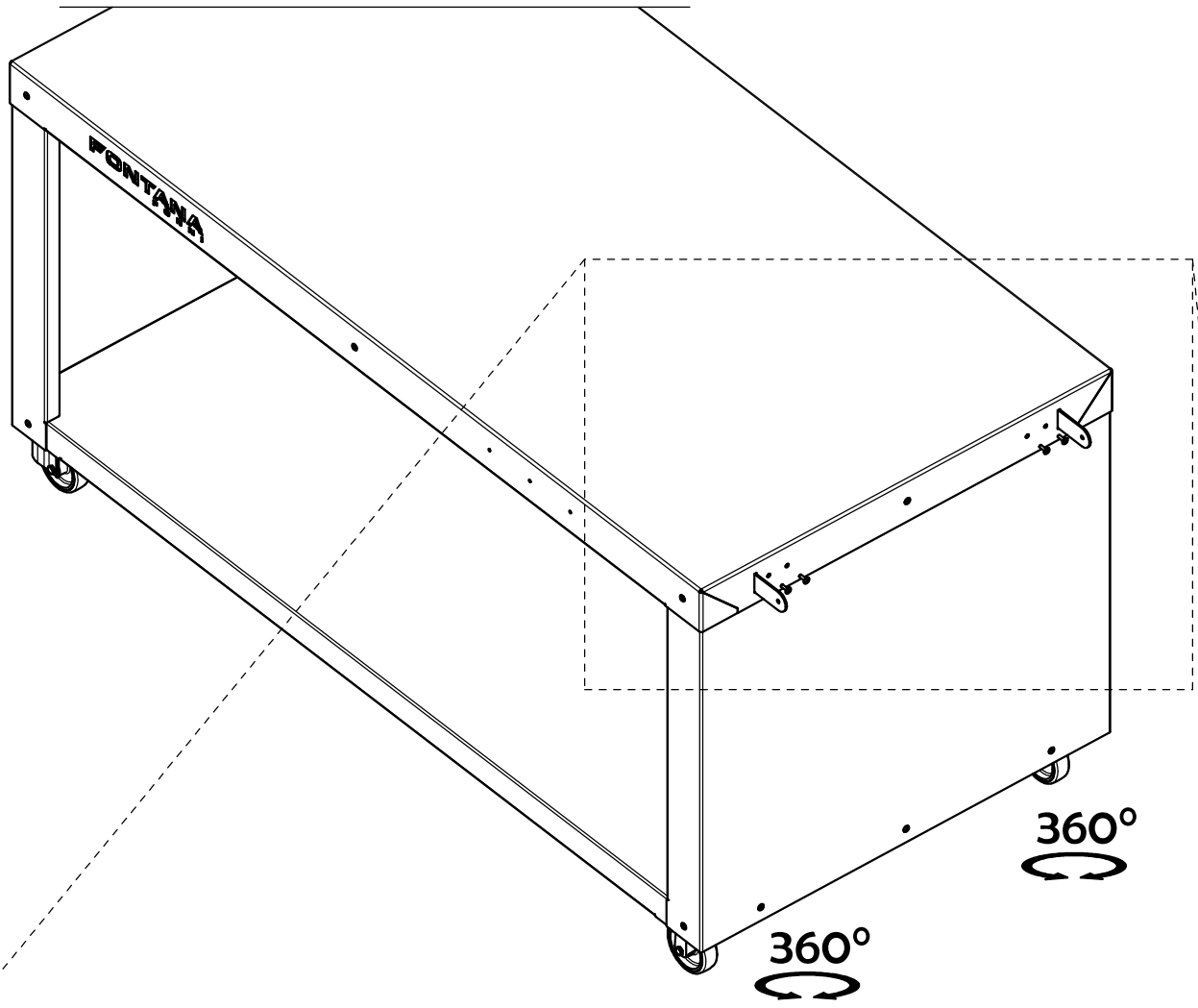


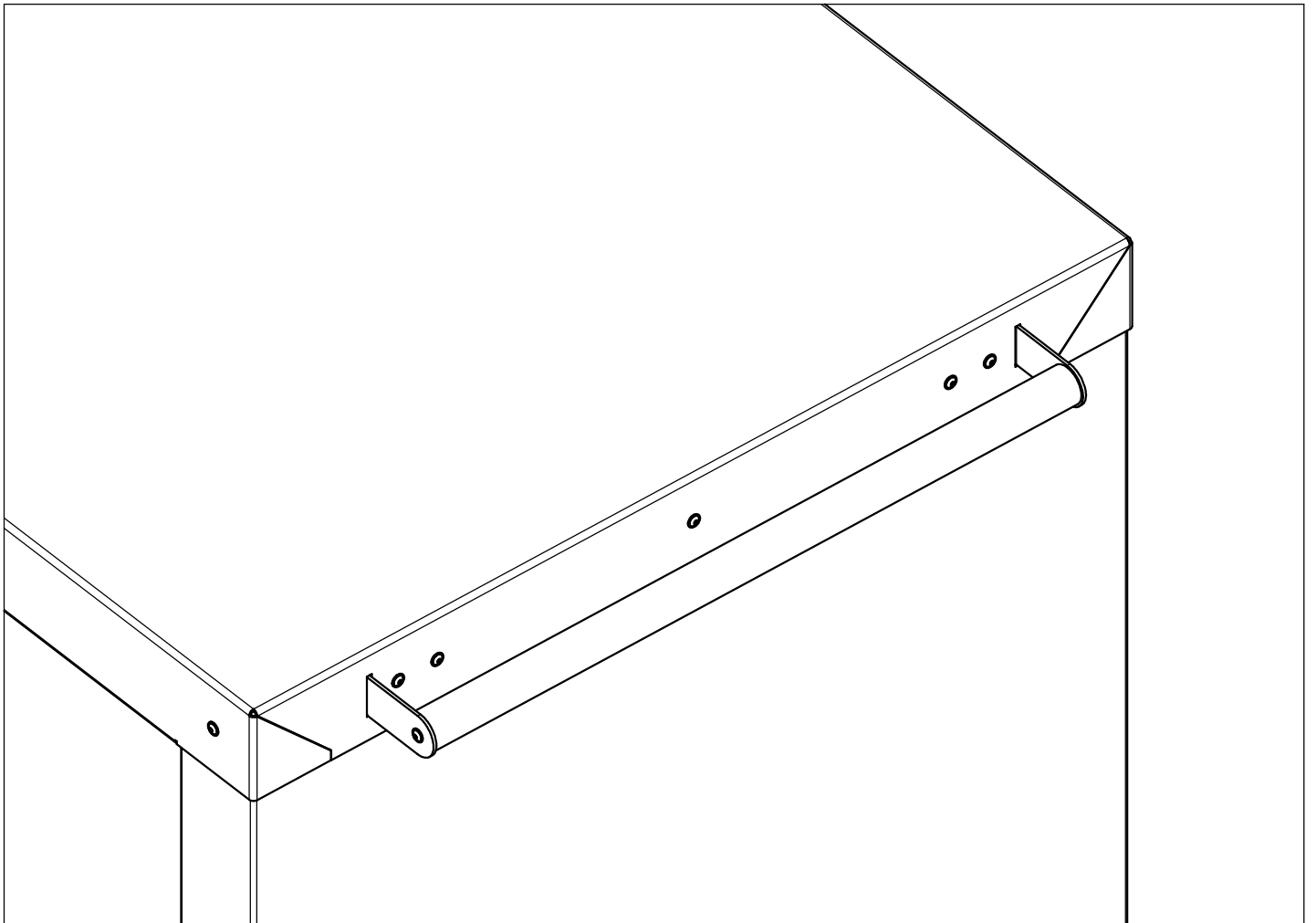
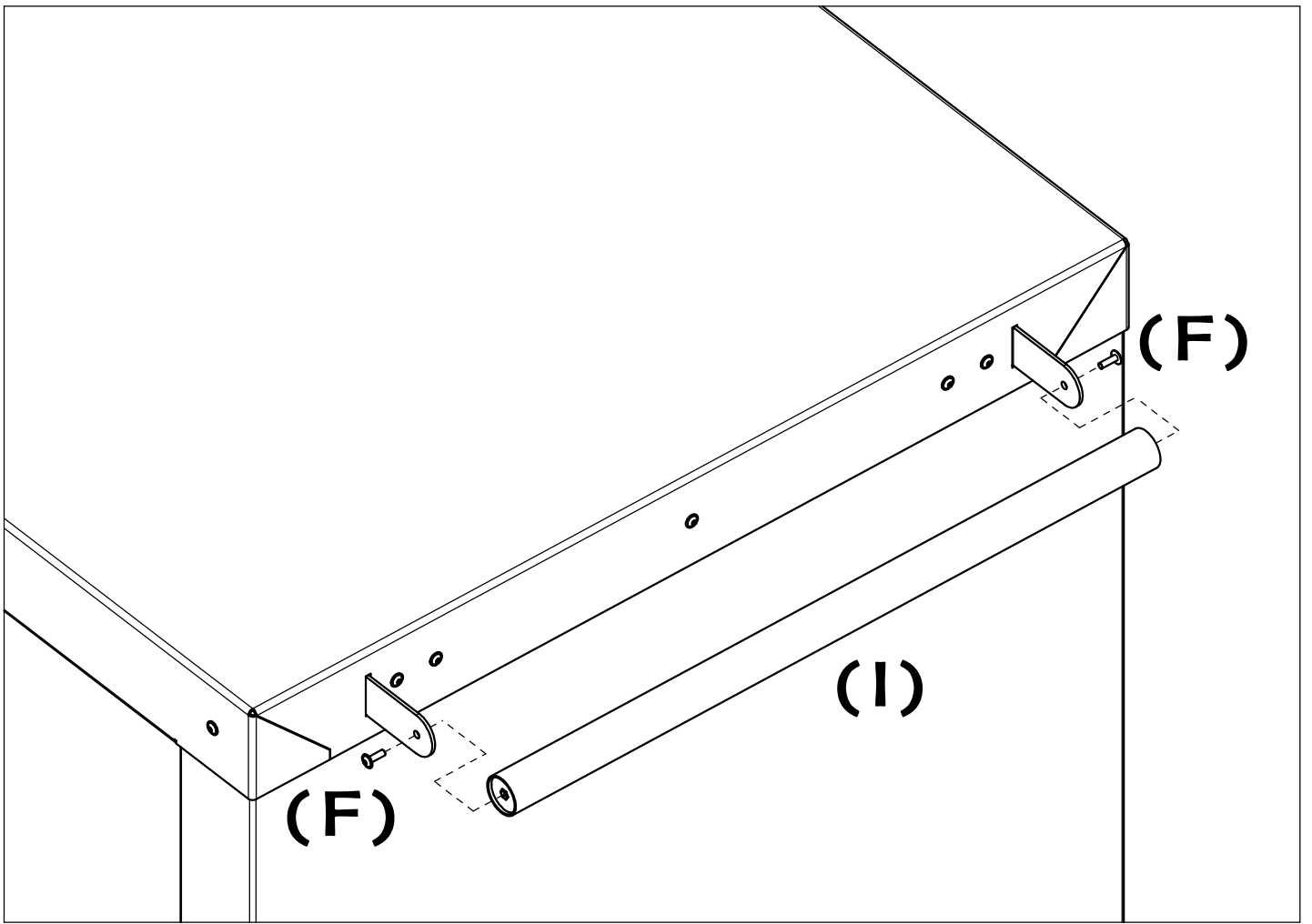
(F) x 3

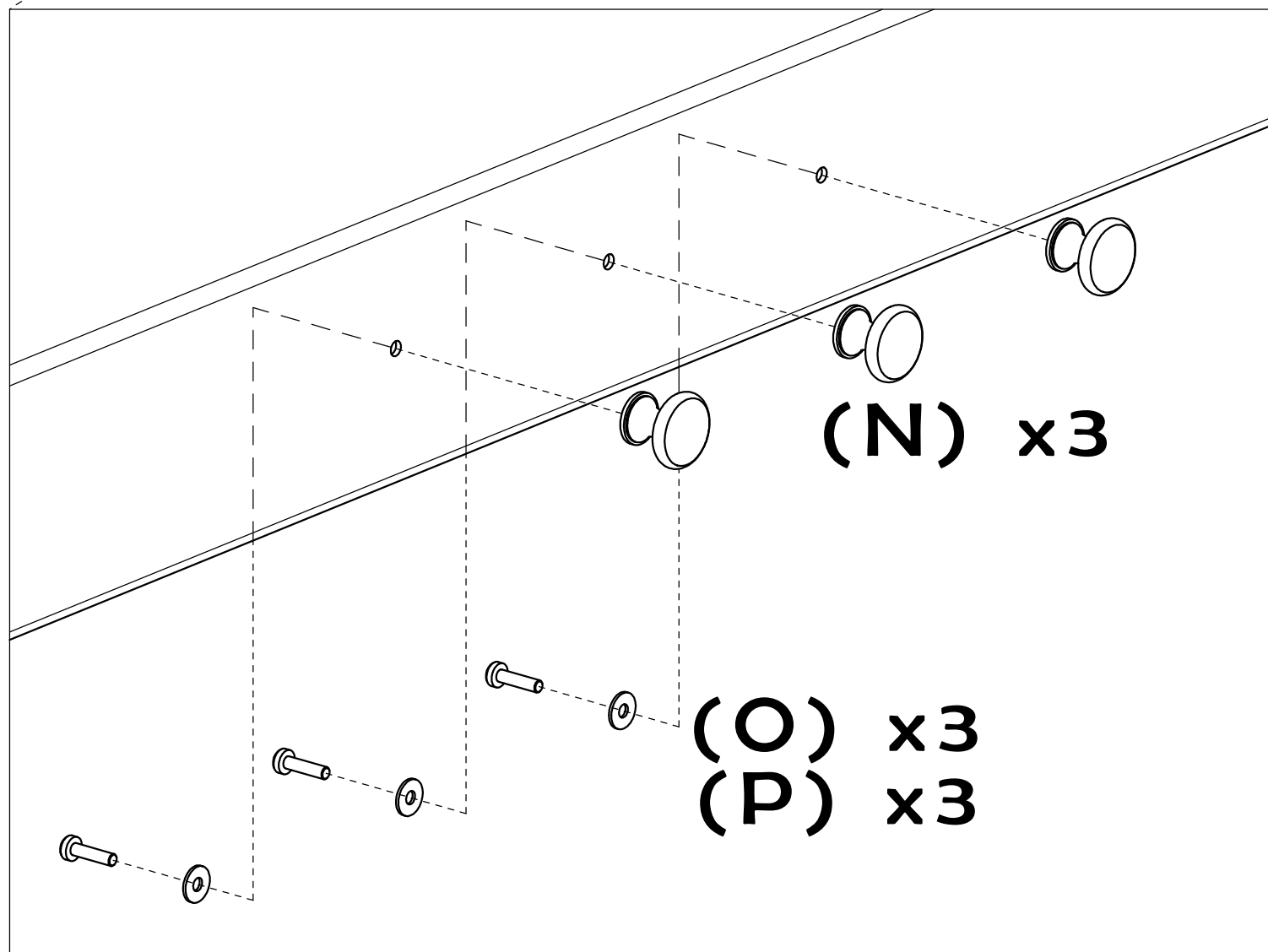
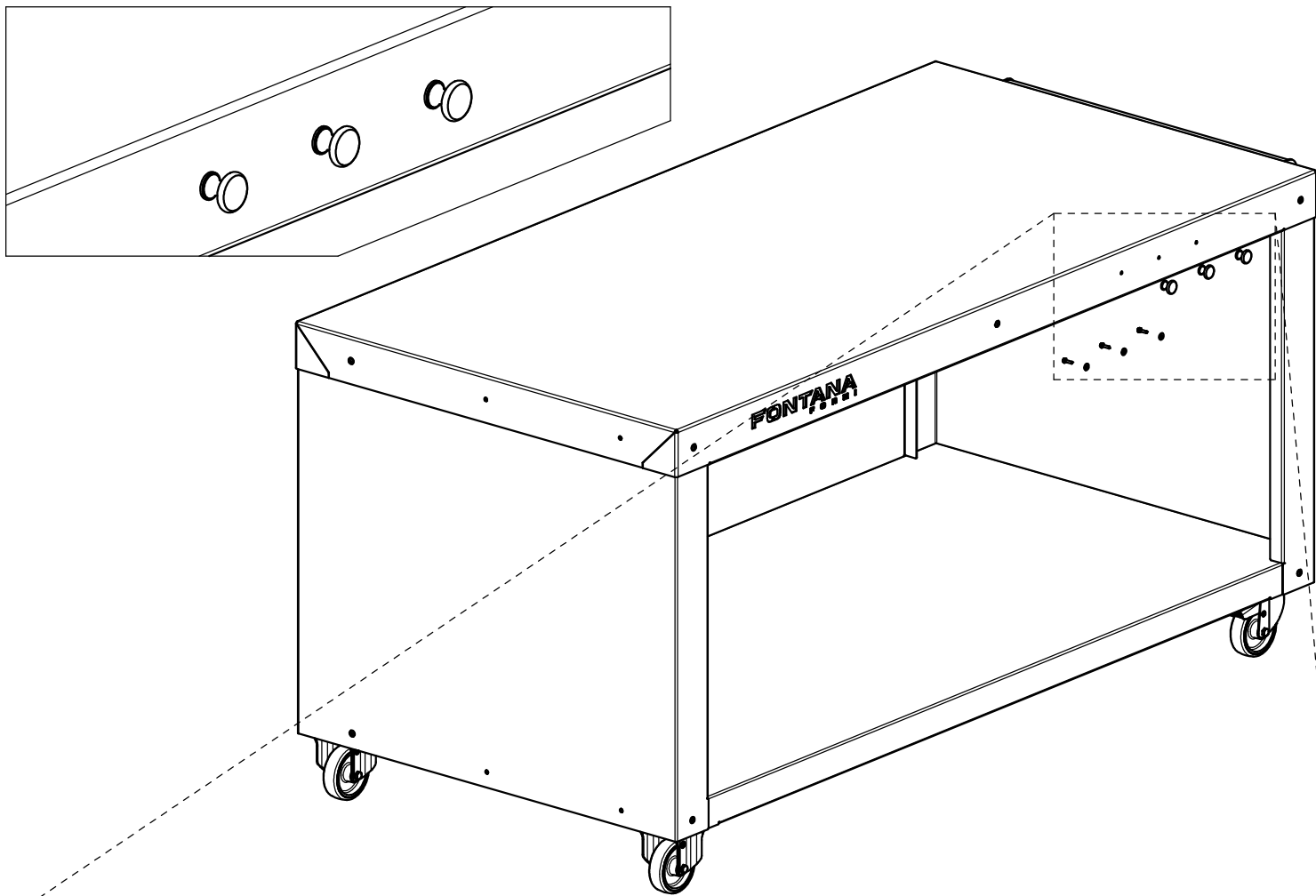


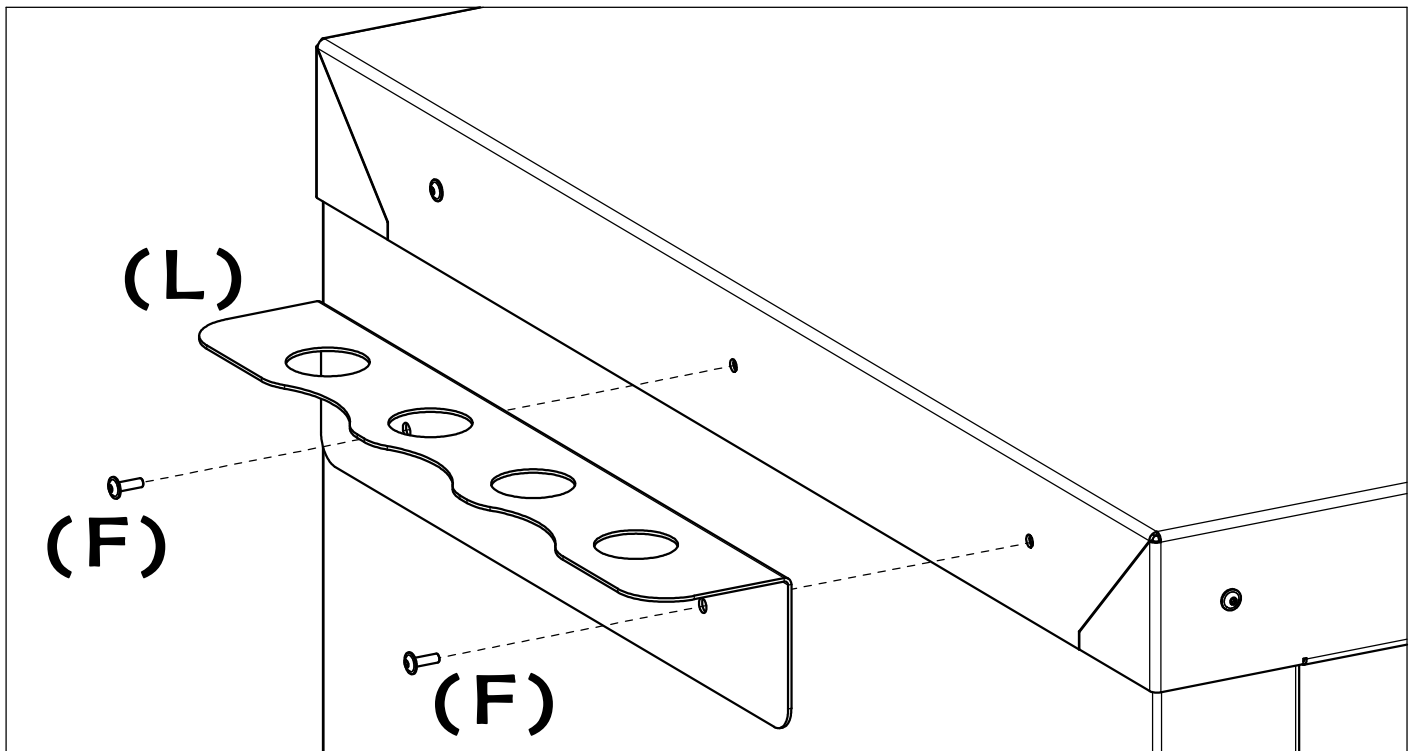
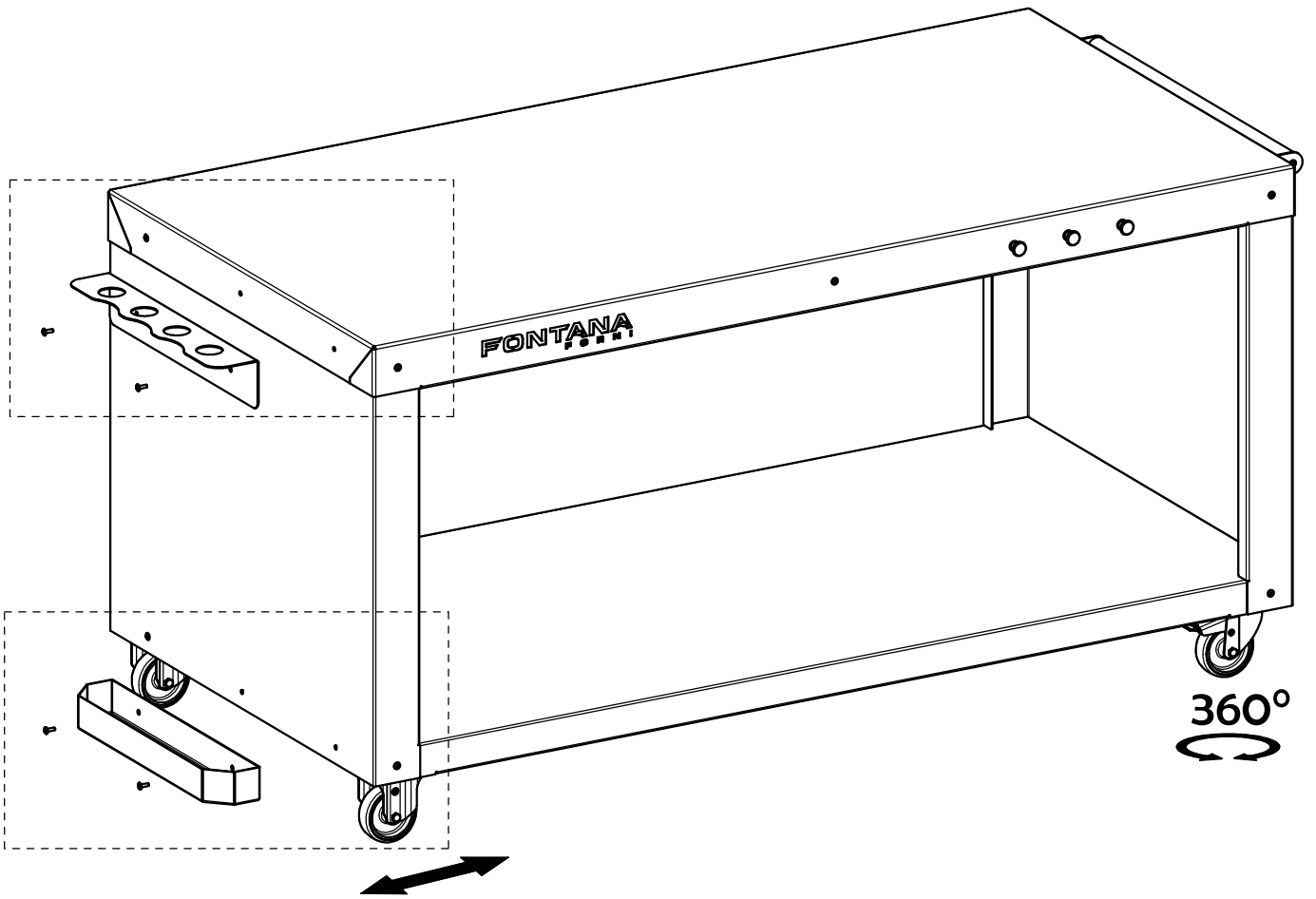


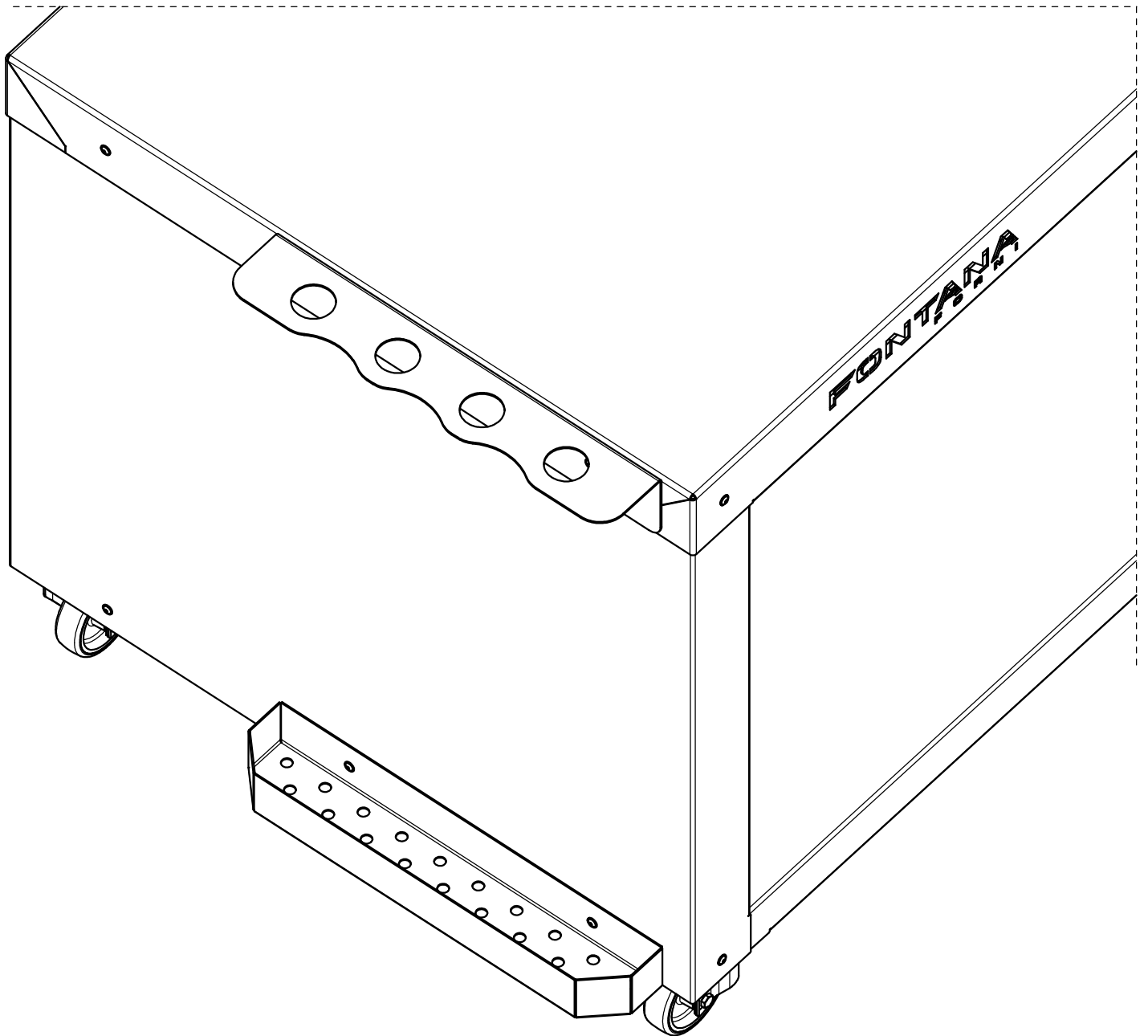
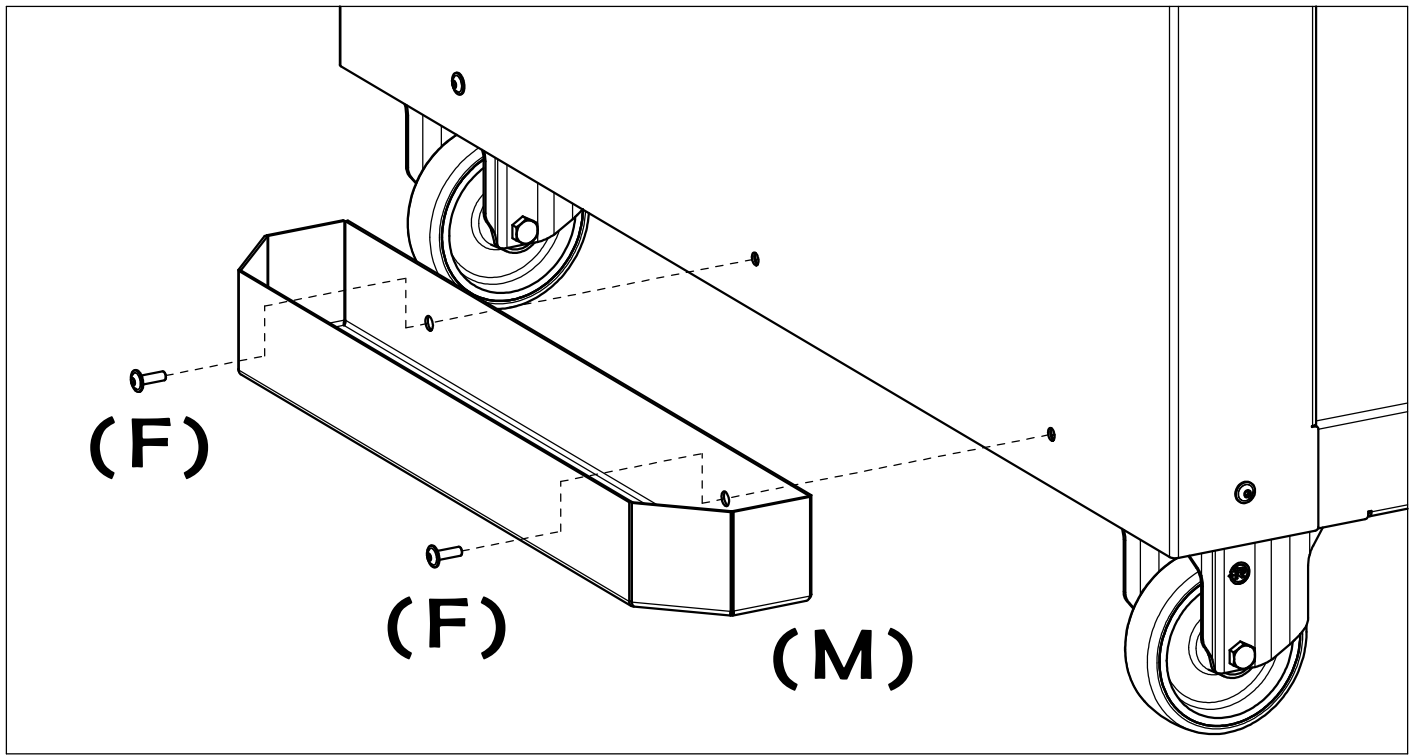


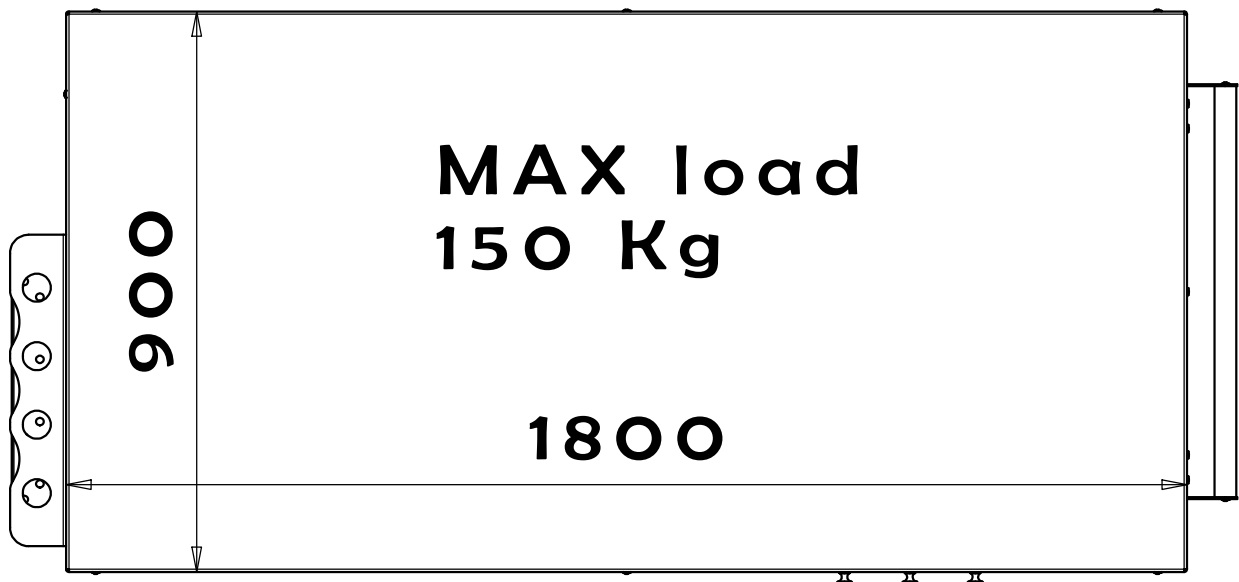
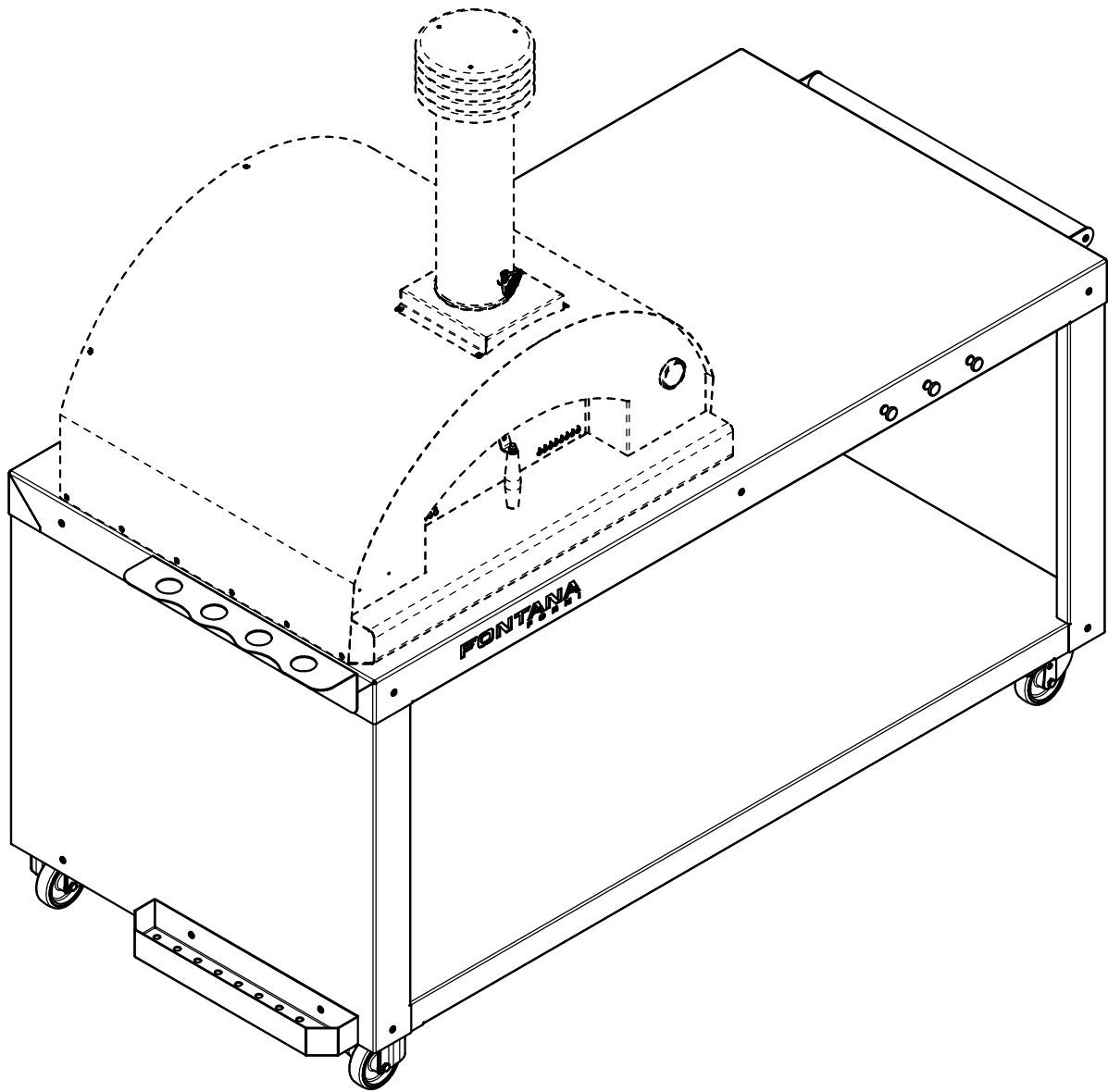












NOTE