

## COMMERCIAL

### VULCAN IP65 LED CORROSION PROOF

# ROBUS®

This extensive range of premium corrosion-proof fittings with a 5-year warranty and rated LED life of 50,000 hours replace single or twin T8, or equivalent T5 fluorescents. Providing the same mechanical performance as traditional corrosion proof fittings, they are one of the most efficient with efficacies up to 126lm/cctW, make energy savings of around 50% with long service life, and without the high costs associated with traditional tube changes and labour



#### Applications:

- Industrial units
- Garages
- Workshops
- Car parks
- Changing rooms
- Farm building (non-corrosive atmosphere)
- Wet areas
- Outside walkways
- Warehouses
- Storage areas

#### Construction:

- Grey coloured polycarbonate body
- Opal polycarbonate diffuser
- Stainless steel clips
- Steel gear tray

#### Features:

- Complies with the requirements of the Carbon Trust ETCL
- Polycarbonate base & diffuser with poured rubber seal
- Frosted diffuser retained to body by end clips the two end clips on one side
- Grade 304 stainless steel diffuser clips
- Utilises high quality long life LM80 tested surface mount LED technology for:
  - Outstanding light output of lumens
  - Very low power consumption
  - Long rated LED life
- Colour temperature of 5000K with high CRI
- Uses a dedicated LED plate retained in the body with turn buckles
- Rugged solid-state lighting technology with no heat filaments or electrodes to fail
- Emergency, SwitchDim, DALI and 1-10VDC driver options
- End mount sensor option
- Stainless steel surface mounting brackets and suspension hangers included
- Multiple gland entry points at both ends and base

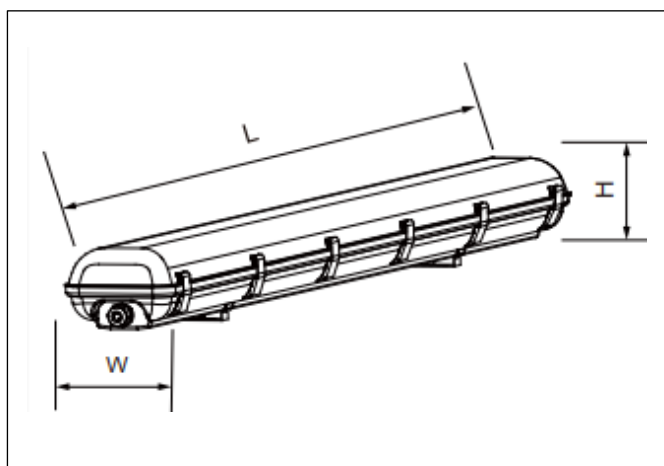
#### Benefits:

- ECA eligible for cost of product, installation, transport to site
- Flexible so will not crack when mounted on uneven surfaces
- Provides ingress protection against dust and water jets
- Will not corrode so provides long life
- Diffuser remains attached to the body for fast installability
- Provides excellent light spread and uniformity with less glare
- Non-rusting closure and mounting system
- Compared to T8 fluorescent:
  - Comparable light output so is a one for one replacement
  - Makes energy savings of around 50%
  - Light output and colour is consistent over life
  - No maintenance cost for replacement tubes over life
  - Superb efficacy providing compliance with current & foreseeable legislation
- Ideal light colour for security whilst providing clear task visibility
- LED tubes provide up to 30% less light and are prone to theft
- Positive LED plate fixing
- Less susceptible to failure due to building vibration caused by traffic or hot/cold temperature variations
- "Instant on" so can be switched by microwave, PIR and/or photocell which is detrimental to traditional light sources so provides even greater energy savings when lighting not required
- Provides light on power failure to safely evacuate the area
- Manual or step dimming and daylight linking can be achieved to provide even greater energy savings using Robus sensors
- Provide direct surface or chain suspension option
- Ideal for apex or sloping ceiling/roof designs
- Most conduit electrical infrastructures are catered for

**COMMERCIAL**  
**VULCAN IP65 LED CORROSION PROOF**

**ROBUS®**

| Product Code:               | RVUF122FT-24 | RVUF242FT-24 | RVUF244FT-24 | RVUF484FT-24 | RVUF405FT-24 | RVUF805FT-24 | RVUF486FT-24 | RVUF966FT-24 |
|-----------------------------|--------------|--------------|--------------|--------------|--------------|--------------|--------------|--------------|
| Comparable to:              | 1x18W T8     | 2x18W T8     | 1x36W T8     | 2x36W T8     | 1x58W T8     | 2x58W T8     | 1x70W T8     | 2x70W T8     |
| Total Power (W):            | 12.8         | 23.6         | 23.1         | 47.5         | 39.6         | 78.7         | 46           | 93.2         |
| Total Light Output (lm):    | 1610         | 2880         | 2900         | 5780         | 4490         | 8480         | 5850         | 11410        |
| Efficacy (lm / cctW):       | 126          | 122          | 126          | 122          | 113          | 108          | 127          | 123          |
| Rated Life (hrs):           | 50000        | 50000        | 50000        | 50000        | 50000        | 50000        | 50000        | 50000        |
| Warranty (yrs):             | 5            | 5            | 5            | 5            | 5            | 5            | 5            | 5            |
| Illuminance at 1m (lux):    | 520          | 950          | 970          | 1980         | 1390         | 2760         | 1890         | 3970         |
| Beam Angle (deg):           | 115          | 115          | 115          | 115          | 115          | 115          | 115          | 115          |
| CCT (K):                    | 5000         | 5000         | 5000         | 5000         | 5000         | 5000         | 5000         | 5000         |
| CRI (Ra):                   | 80           | 80           | 80           | 80           | 80           | 80           | 80           | 80           |
| Ingress Protection (IP):    | 65           | 65           | 65           | 65           | 65           | 65           | 65           | 65           |
| Impact Rating (IK):         | 08           | 08           | 08           | 08           | 08           | 08           | 08           | 08           |
| Operating Temperature (°C): | -25 ≥ +40    | -25 ≥ +40    | -25 ≥ +40    | -25 ≥ +40    | -25 ≥ +40    | -25 ≥ +40    | -25 ≥ +40    | -25 ≥ +40    |
| Output Current (mA):        | 300          | 600          | 600          | 1200         | 1000         | 2000         | 1200         | 1200         |
| Operating Voltage (Vac):    | 220-240      | 220-240      | 220-240      | 220-240      | 220-240      | 220-240      | 220-240      | 220-240      |
| Power Factor (PF):          | 0.95         | 0.95         | 0.95         | 0.97         | 0.97         | 0.97         | 0.97         | 0.97         |
| Length L (mm):              | 660          | 660          | 1258         | 1258         | 1530         | 1530         | 1835         | 1835         |
| Width W (mm):               | 93           | 140          | 93           | 140          | 93           | 140          | 93           | 140          |
| Height H (mm):              | 97           | 97           | 97           | 97           | 97           | 97           | 97           | 97           |
| Box Qty:                    | 1            | 1            | 1            | 1            | 1            | 1            | 1            | 1            |
| Weight (kg):                | 1.07         | 1.35         | 2.5          | 3            | 2.5          | 3.5          | 2.7          | 3.8          |



**Accessories:**

**RVUFxxxFT-xxE** 3-hour Emergency option (Min ambient ≥ -10°C)  
 Add "E" suffix to the end of product code

**R360PIR-01** PIR sensor for linear fittings  
**R360RC-01** Remote control/programmer for PIR sensor



**Standards & Approvals:**

Complies with: EN 60598-1, EN 60598-2-1, EN 62471, EN 62493, EN 55015, EN 61000-3-2, EN 610003-3, EN 61547

**Cone Illuminance Diagram:**

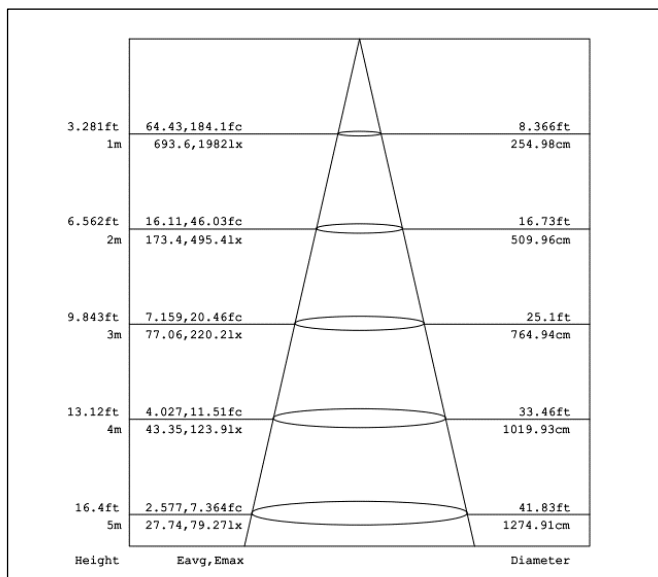
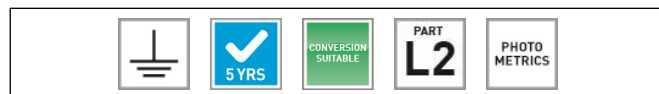
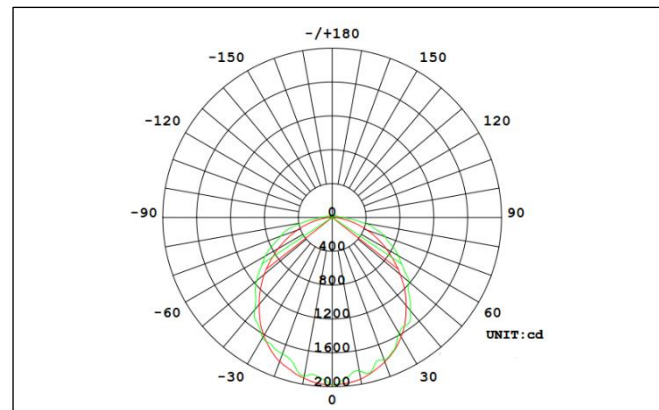


Diagram for RVUF484FT-24. Other diagrams available on request



**Luminous Intensity Distribution Diagram:**



PLEASE NOTE: INFORMATION IN THIS DOCUMENT MAY BE SUBJECT TO CHANGE WITHOUT PRIOR NOTICE

IRE: TEL: +353 1 709 9000 WEB: WWW.LEDGROUPROBUS.COM  
 AUS: TEL: +61 7 3890 5444 WEB: WWW.LEDGROUPROBUS.COM.AU