

COMMERCIAL
CASEY LED LOW BAY

ROBUS®

CASEY 120W LED low bay, IP20, White, 5500K

This traditionally designed LED Low Bay provides a functional solution for installation mounting heights of four to eight metres with multiple methods of fixing. Using high quality, long life LED's it will make a significant contribution to reducing energy consumption and therefore, the Carbon Footprint of the building.



Applications:

- Factory
 - Production/Assembly Lines
 - Packing Areas
 - Inspection Points
- Warehouses
- Car & Commercial Vehicle Workshops
- Showrooms
- Industrial units
- Superstores
- Shopping Arcades

Construction:

Fabricated rolled mild steel body
Pre-punched installation holes
Stamped heat vent slots
Powder Coat finish
Clear Poly Carbonate diffuser.
Tough Rubber Sheathed (TRS) incoming flex
Mirror finish reflector

Features:

Benefits:

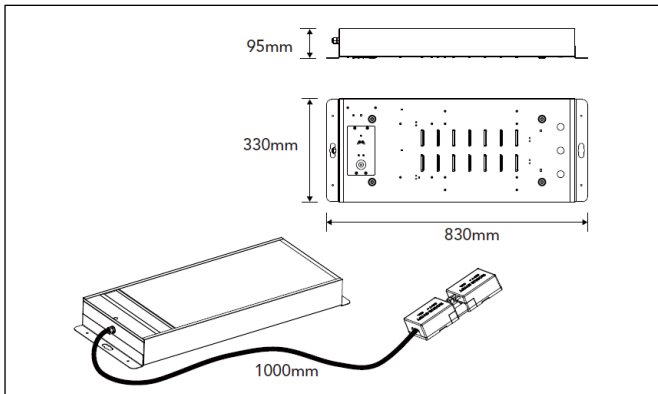
<ul style="list-style-type: none"> • Complies with the requirements of the Carbon Trusts ETCL 	<ul style="list-style-type: none"> • Eligible for the Enhanced Capital Allowance (ECA) scheme
<ul style="list-style-type: none"> • Standard & Integral Emergency versions available 	<ul style="list-style-type: none"> • The emergency function is provided by the same light fittings
<ul style="list-style-type: none"> • White powder coated mild steel body 	<ul style="list-style-type: none"> • Strong & durable material & finish
<ul style="list-style-type: none"> • Triangular shaped, mirror finish reflector 	<ul style="list-style-type: none"> • Controls the light direction to provide 110-degree wide beam
<ul style="list-style-type: none"> • Clear PC diffuser as standard • Optional opal diffuser accessory 	<ul style="list-style-type: none"> • Allows maximum light transmission • Reduces glare where required
<ul style="list-style-type: none"> • Tested to IK07 	<ul style="list-style-type: none"> • Will take knocks without serious damage
<ul style="list-style-type: none"> • Ambient operating temperature range -20°C to +40°C 	<ul style="list-style-type: none"> • Extends the functionality to very cold or hot environments
<ul style="list-style-type: none"> • Utilises 288 high quality Edison SMD LED's for: <ul style="list-style-type: none"> • Very high lumen output • Low power consumption • High efficacy • Low heat emissions 	<ul style="list-style-type: none"> • Provides: <ul style="list-style-type: none"> • Comparable light output to T8 fluorescent • Makes important energy savings • Complies with the requirements of Building Regulations • Long life so no costly hire equipment for lamp changes
<ul style="list-style-type: none"> • Cool White colour temperature light with high CRI 	<ul style="list-style-type: none"> • Provides clear lighting with light quality suitable for most tasks
<ul style="list-style-type: none"> • Double driver design 	<ul style="list-style-type: none"> • Ensures 50% light output in the event of a driver failure • Provides additional safety for operators and workers • Allows time for maintenance to be arranged
<ul style="list-style-type: none"> • Fixing options: <ul style="list-style-type: none"> • 2 x 8mm holes at each end • 4 x 8mm threaded inserts in the top of body (eye bolts inc.) • Lighting trunking bracket fixing points at each end 	<ul style="list-style-type: none"> • Provides choice of installation method <ul style="list-style-type: none"> • Ideal for surface mounting • For wire or drop-rod suspension • Allows direct fixing using lighting trunking brackets
<ul style="list-style-type: none"> • Pre-wired with 1m, end glanded, TRS flex and Swift connector • Pre-drilled & grommeted 20mm top entry hole 	<ul style="list-style-type: none"> • Female half of Swift can be first fixed to tap-off unit for fast and simple connection to the supply • Provides an alternative supply cable entry point
<ul style="list-style-type: none"> • Wiring compartment access panel with single securing screw 	<ul style="list-style-type: none"> • Provides fast & easy access for wiring in controls such as PIR's

COMMERCIAL
CASEY LED LOW BAY

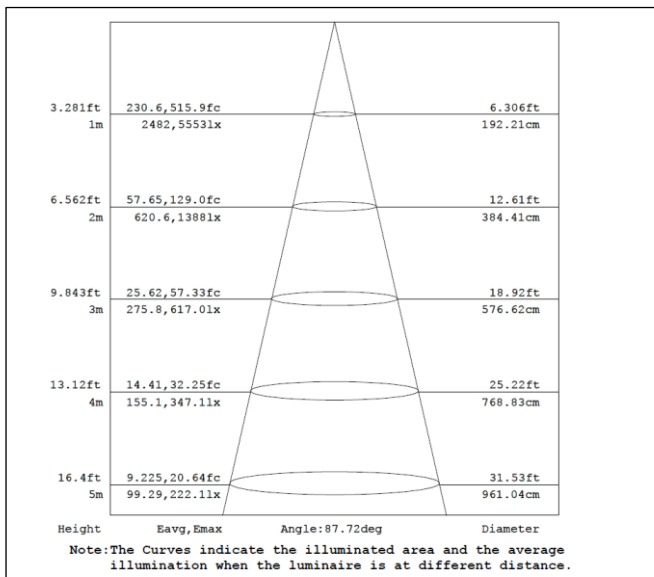
ROBUS®

CASEY 120W LED low bay, IP20, White, 5,500K

Standard:	RCY12055-01
Emergency:	RCY12055E-01
Comparable to T8 Fluorescent (W):	4x36
Total Power (W):	115.2
Total Light Output (lm):	11,830 Standard 480 Emergency
Efficacy (lm / cctW):	103
Rated Life (hrs):	50,000
Warranty (yrs):	5
Illuminance at 1m (lx):	5,550 Standard 220 Emergency
Beam Angle (deg):	110
CCT (K):	5,500
CRI (Ra):	85
Ingress Protection (IP):	20
Impact Rating (IK):	IK07
Operating Temperature (°C):	-20 ≤ Ta ≤ +40
Operating Voltage (Vac):	220-240
Power Factor (PF):	0.95
Length (mm):	830
Width (mm):	330
Depth (mm):	90
Box Qty:	1
Weight (kg):	6.08 Standard 6.6 Emergency



Cone Illuminance Diagram:

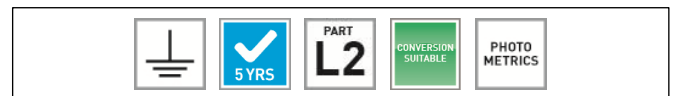


Accessories:

RCYDIFOP OPAL DIFFUSER

Standards & Approvals:

Complies with: EN 60598-1, EN 60598-2-1, EN62031+A1+A2, EN 62493, EN62471, EN 55015, EN 61574, EN 61000-3-2, EN 60001-3-3



Polar Intensity Diagram:

