

HiPak Pro LED

THORN

96628027 HIPAK PRO LED13500-740 HFI-X RK

LED 104W LED_HIPP_14000		IP43	IK08		CE	T _a -40 +35
-------------------------	--	------	------	--	----	---------------------------

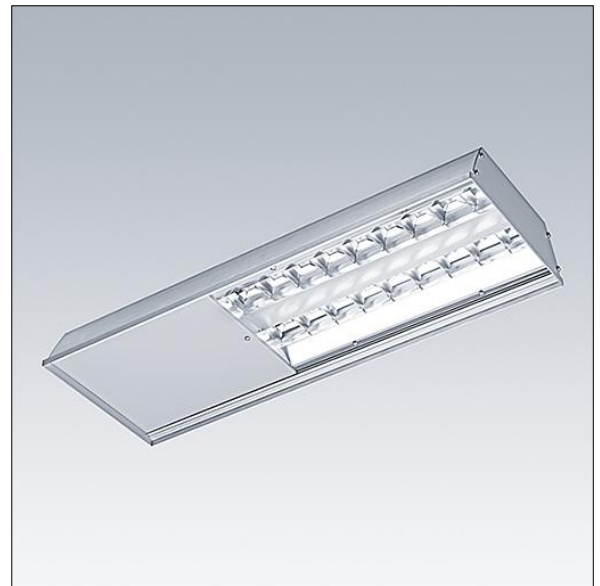
HiPak Pro LED

A LED High Bay luminaire with rack distribution. Electronic, DALI dimmable control gear. Class I electrical, IP43, IK08. Housing: anodised aluminium extrusion. End caps: painted steel (close to RAL 9006). Reflector: high grade aluminium. Front cover: plastic, 2mm thick. Mounting kits to be ordered separately. Electrical connection via piano key terminal block behind sliding cover. Complete with 4000K LED.

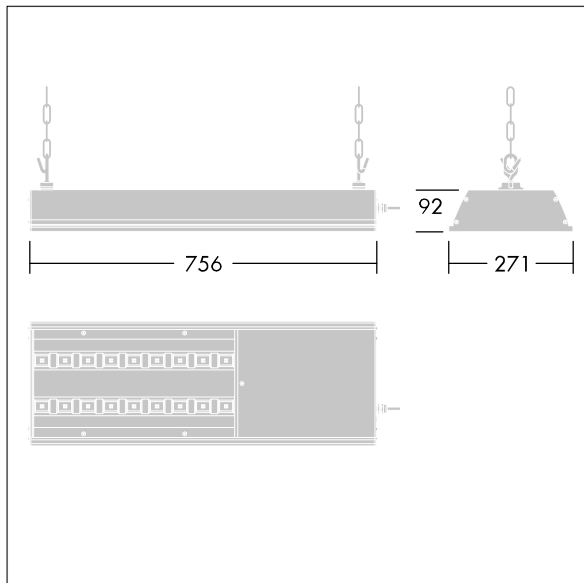
Dimensions: 756 x 271 x 92 mm

Total power: 104 W

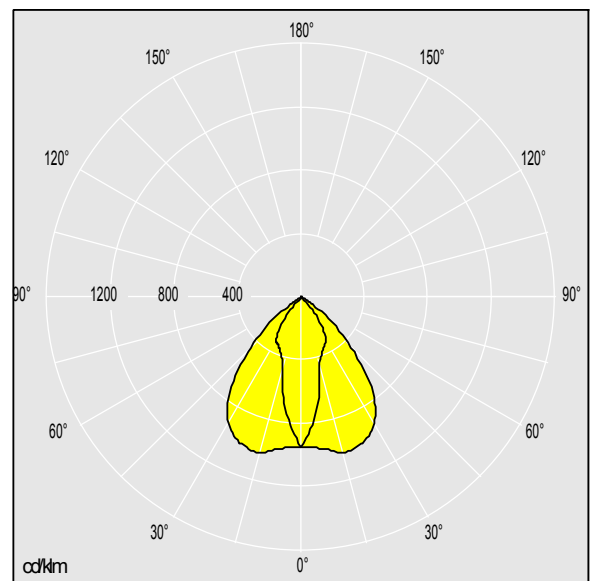
Weight: 8.8 kg



TLG_HIPP_F_LEDPDB.jpg



TLG_HIPP_M_HBLD1.wmf



TLG_SP_0042250.ltd

Lamp position: STD - standard

Light Source: LED

Luminaire luminous flux*: 14000 lm

Luminaire efficacy*: 135 lm/W

Lamp efficacy: 134 lm/W

Colour Rendering Index min.: 70

Correlated colour temperature*: 4000 Kelvin

LOR: 1,00 ULOR: 0,00 DLOR: 1,00

Chromaticity tolerance (initial MacAdam)*: 3

Rated median useful life*:

50000h L80 at 35°C

Ballast: 1x HFI* Xitanium

Luminaire input power*: 104 W Lambda = 0.95

Standby Power*: 0.5 W

Dimming: DA2 dimmable to 1%

Maintenance category: D - Enclosed IP2X

All values marked with an * are rated values. Thorn uses tried and tested components from leading suppliers, however there may be isolated instances of technology-related failures of individual LEDs during the rated product lifetime. International standards set the tolerance in initial flux and connected load at $\pm 10\%$. Colour temperature is subject to a tolerance of up to ± 150 Kelvin from the nominal value. Unless stated otherwise, the values apply to an ambient temperature of 25°C.

In most products the failure of one LED point causes no functional impairment to the lighting performance of the luminaire and is therefore no reason for complaint. Unless otherwise stated all Thorn LED products are suitable for unrestricted use (rated RG0 or RG1) with regard photobiological blue light safety (IEC/EN60598-1).

Thorn Lighting is constantly developing and improving its products. The right is reserved to change specifications without prior notification or public announcement.
© Thorn Lighting