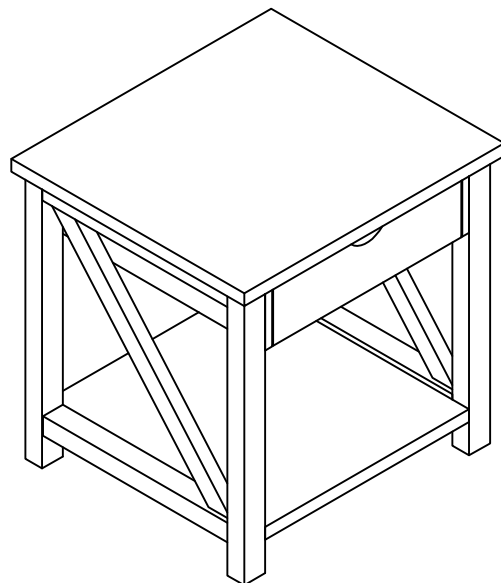
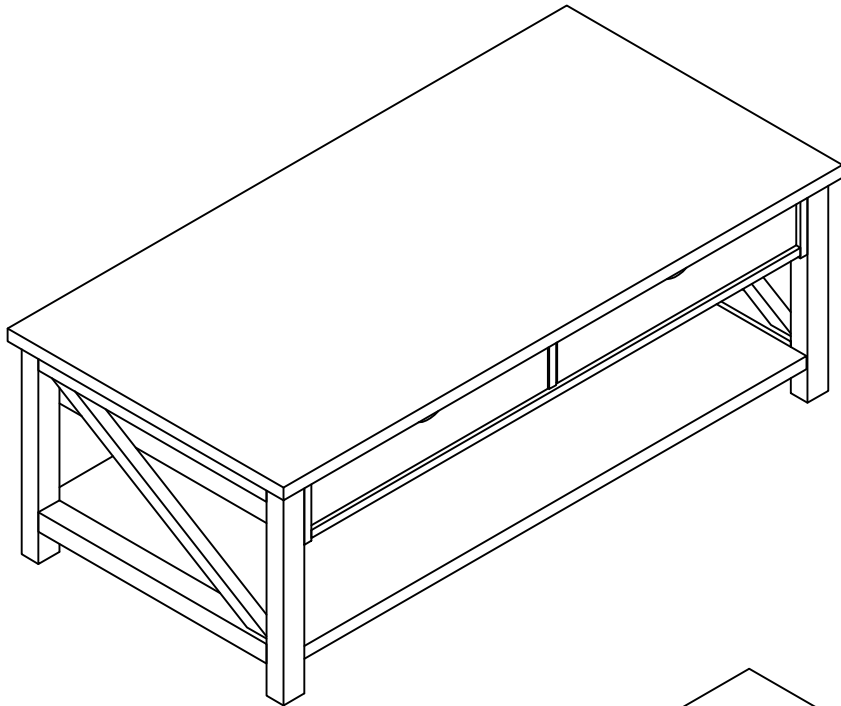


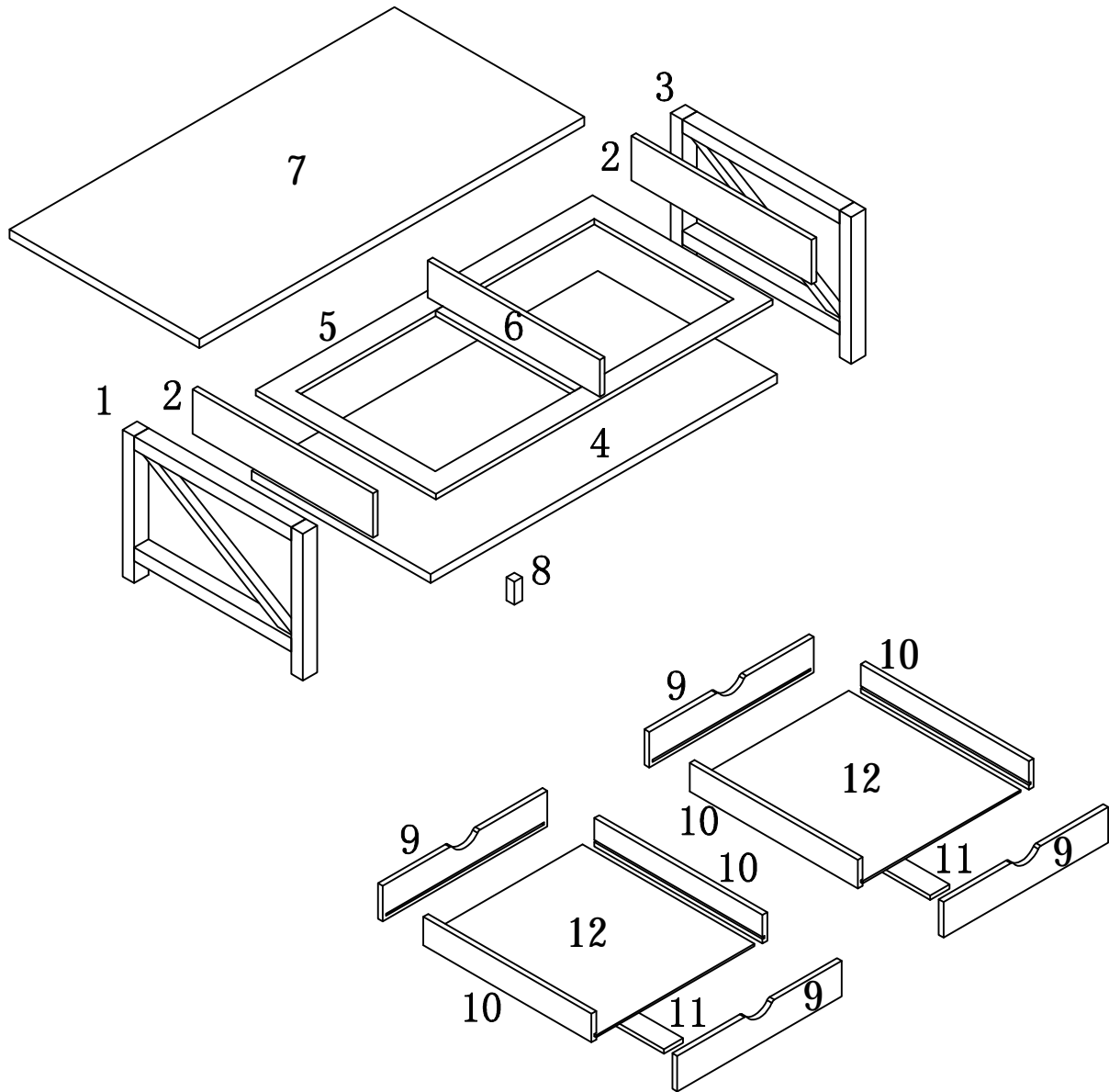
ASSEMBLY INSTRUCTIONS /
INSTRUCTIONS D'ASSEMBLAGE

ITEM NO/NO ARTICLE: JAKEG2PK/223129-X2



PARTS IDENTIFICATIONS / IDENTIFICATION DES PIECES

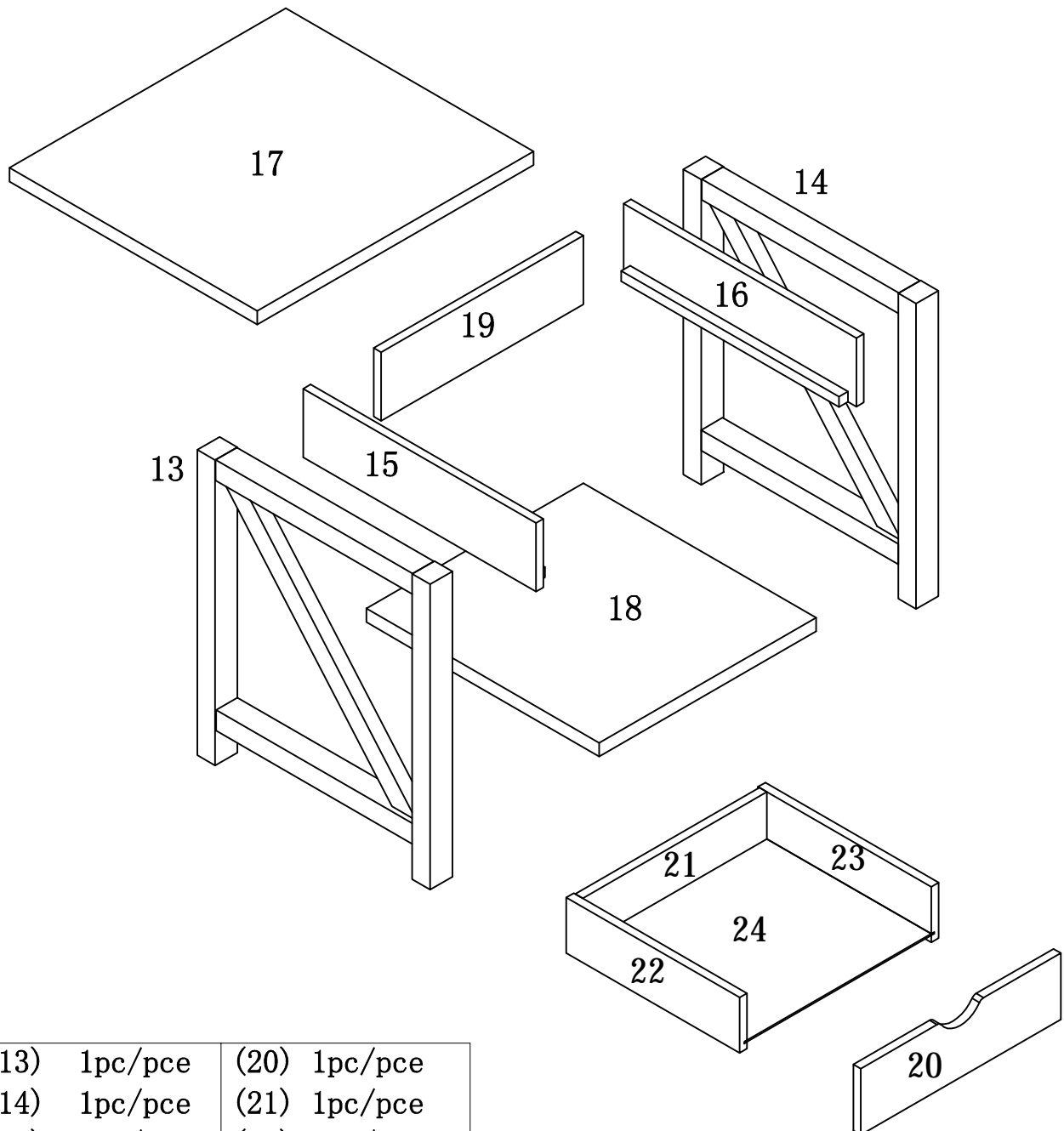
ITEM NO/NO ARTICLE: JAKEG2PK/223129-X2



(1)	1pc/pce	(8)	1pc/pce
(2)	2pcs/pces	(9)	4pcs/pces
(3)	1pc/pce	(10)	4pcs/pces
(4)	1pc/pce	(11)	2pcs/pces
(5)	1pc/pce	(12)	2pcs/pces
(6)	1pc/pce		
(7)	1pc/pce		

PARTS IDENTIFICATIONS / IDENTIFICATION DES PIECES








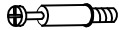

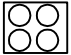

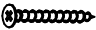


ITEM NO/NO ARTICLE: JAKEG2PK/223129-X2



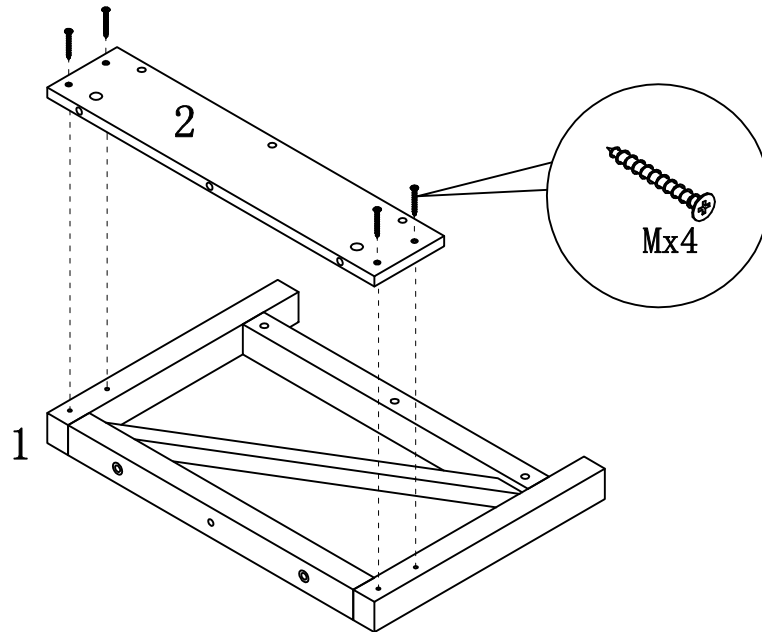
(13)	1pc/pce	(20)	1pc/pce
(14)	1pc/pce	(21)	1pc/pce
(15)	1pc/pce	(22)	1pc/pce
(16)	1pc/pce	(23)	1pc/pce
(17)	1pc/pce	(24)	1pc/pce
(18)	1pc/pce		
(19)	1pc/pce		

HARDWARE IDENTIFICATIONS/ IDENTIFICATION DU KIT D'ASSEMBLAGE

ITEM NO/NO ARTICLE: JAKEG2PK/223129-X2

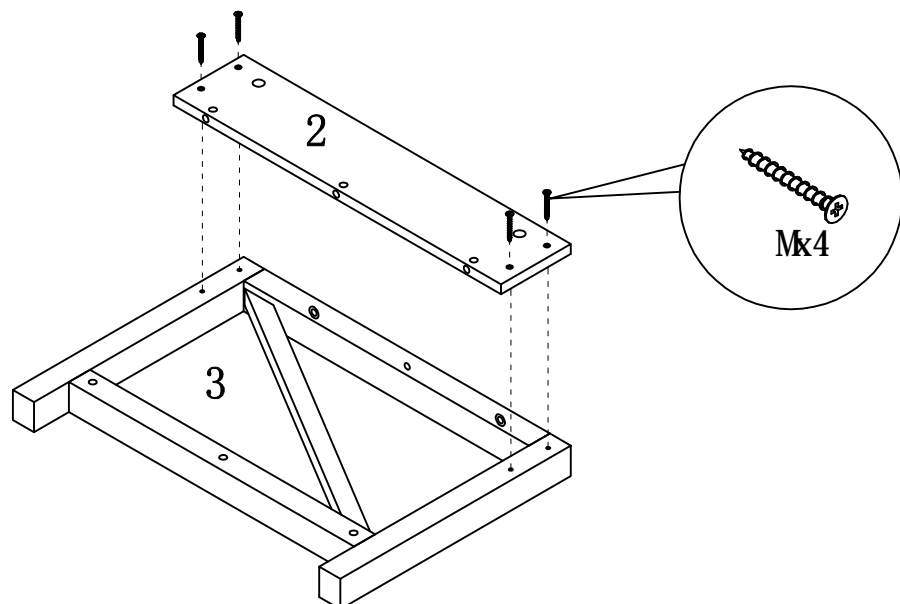
A		L29	22pcs/pces
B		Φ 15	22pcs/pces
C		Φ 8x25	19pcs/pces
D		Φ 8x35	8pcs/pces
E		Φ 8x16x2	8pcs/pces
F		M5	1pc/pce
G		Φ 6x35	1pc/pce
H		L20	28pcs/pces
I		Φ 12	28pcs/pces
J		Ø15 DGY	20pcs/pces
K			9pcs/pces
L		Φ 4x30	6pcs/pces
M		Φ 4x25	16pcs/pces
N		Ø22 DGY	1pc/pce

ITEM NO/NO ARTICLE: JAKEG2PK/223129-X2

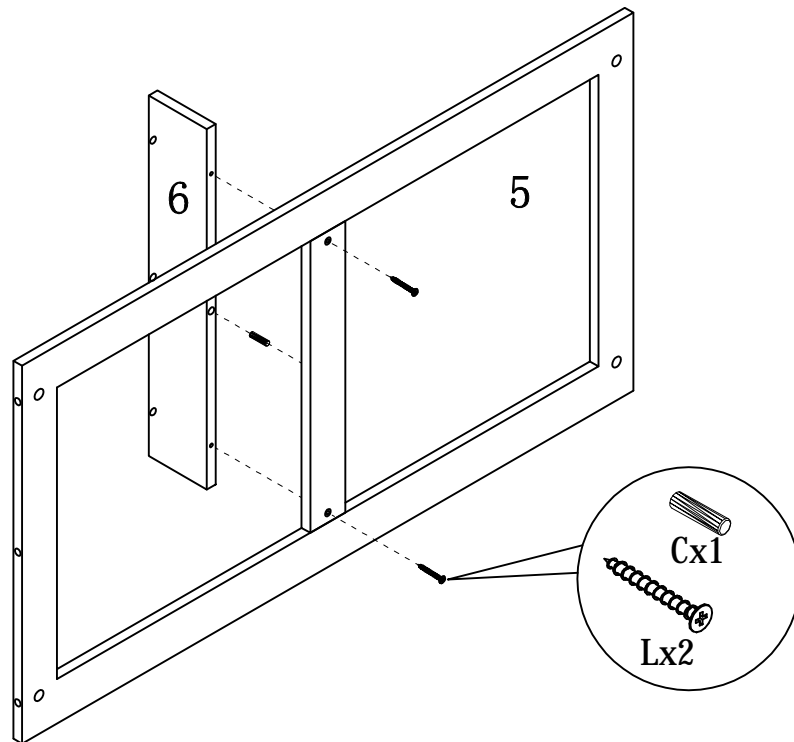


STEP 1 / ETAPE 1

STEP 2 / ETAPE 2

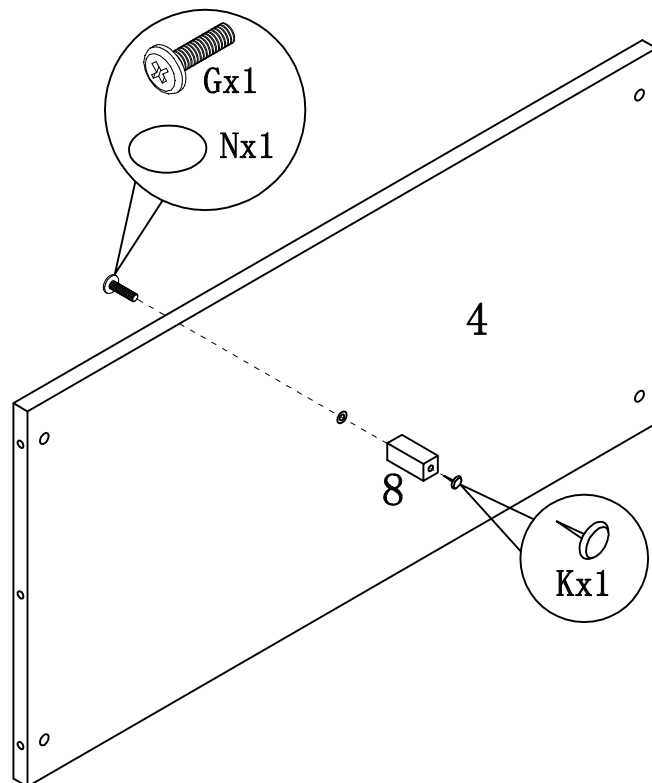


ITEM NO/NO ARTICLE: JAKEG2PK/223129-X2

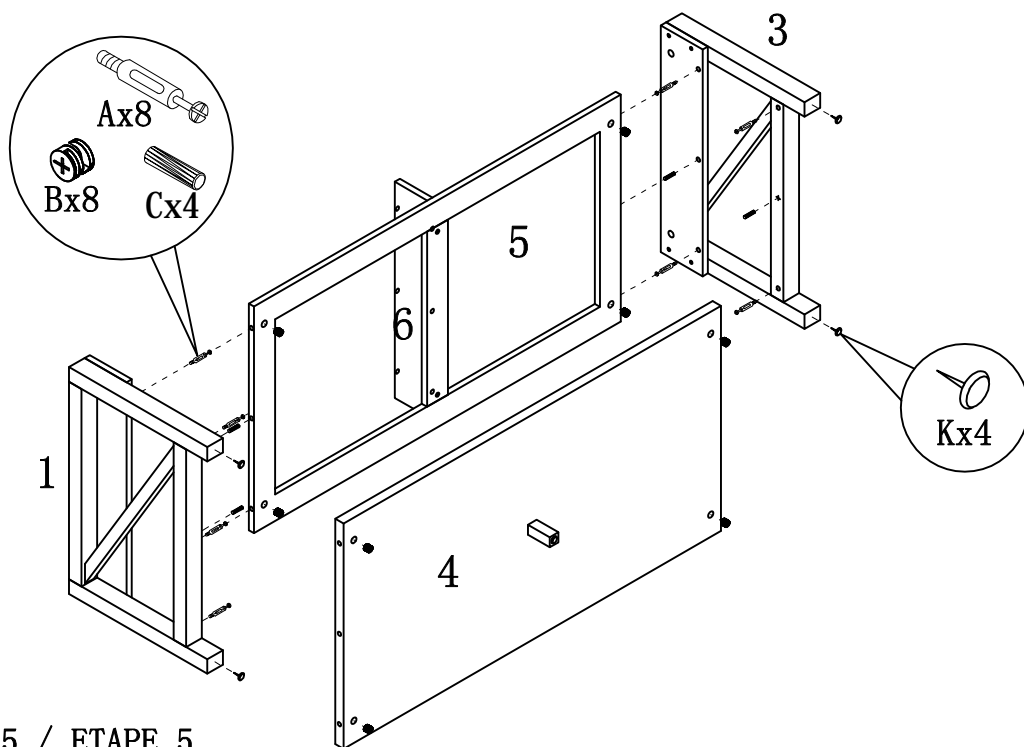


STEP 3 / ETAPE 3

STEP 4 / ETAPE 4

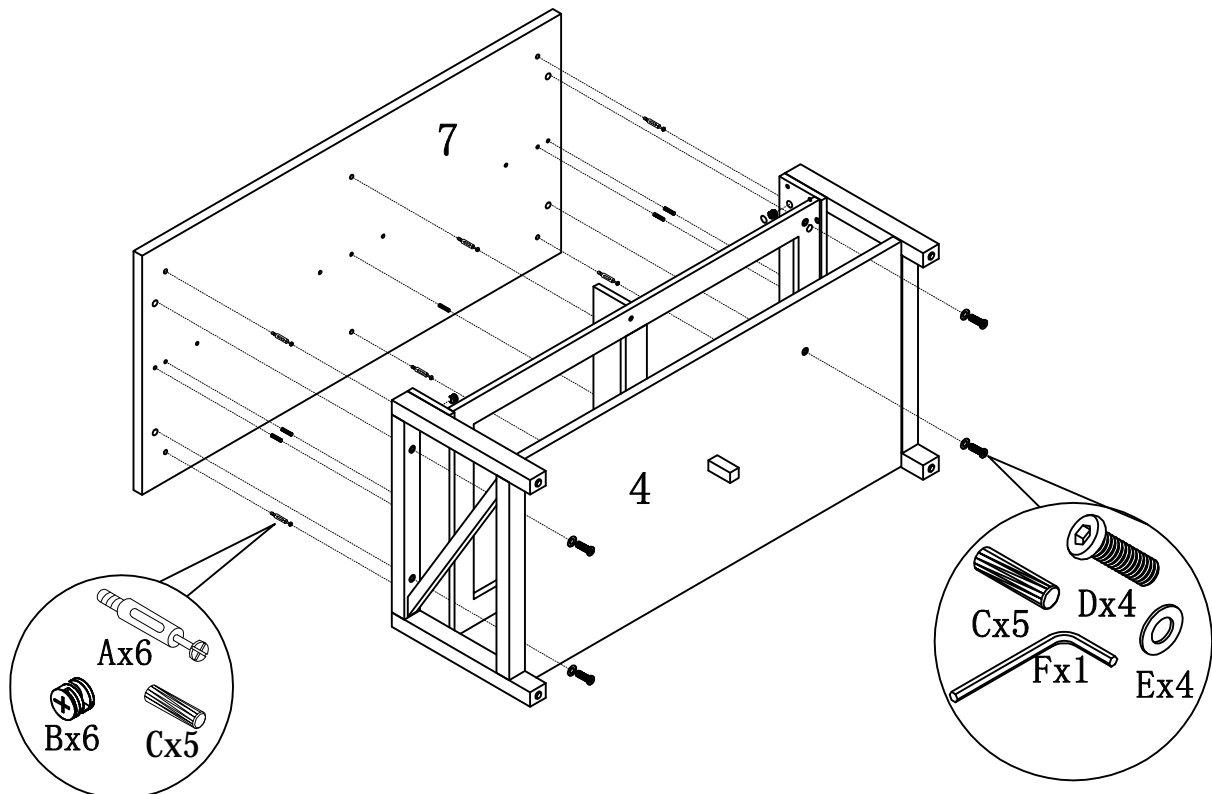


ITEM NO/NO ARTICLE: JAKEG2PK/223129-X2

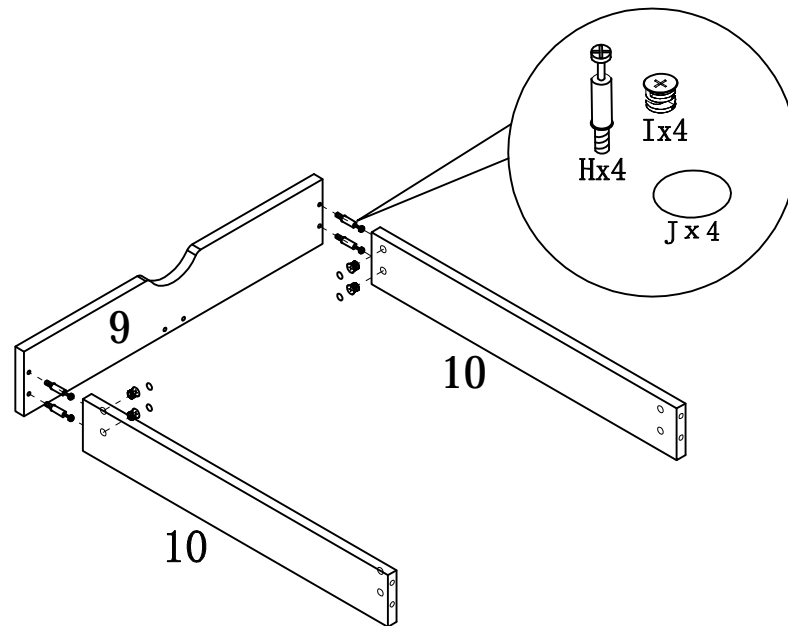


STEP 5 / ETAPE 5

STEP 6 / ETAPE 6

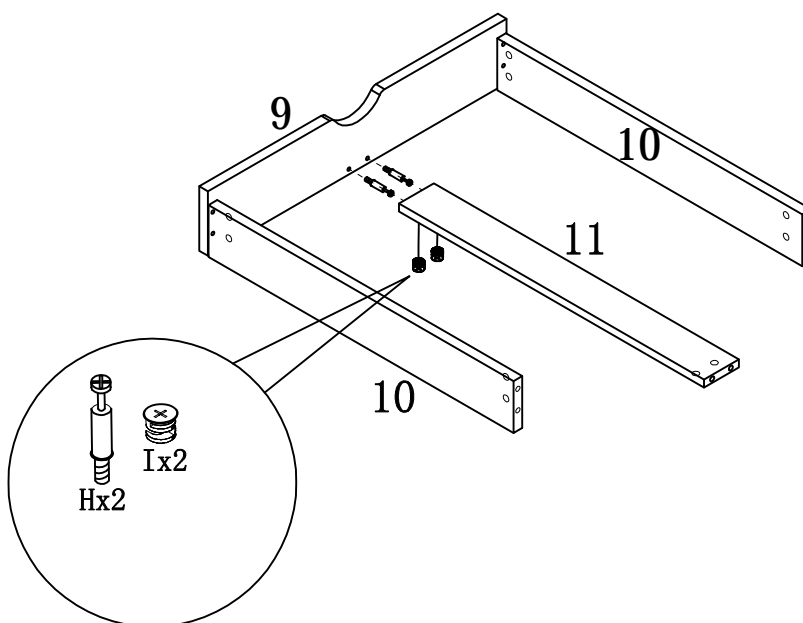


ITEM NO/NO ARTICLE: JAKEG2PK/223129-X2

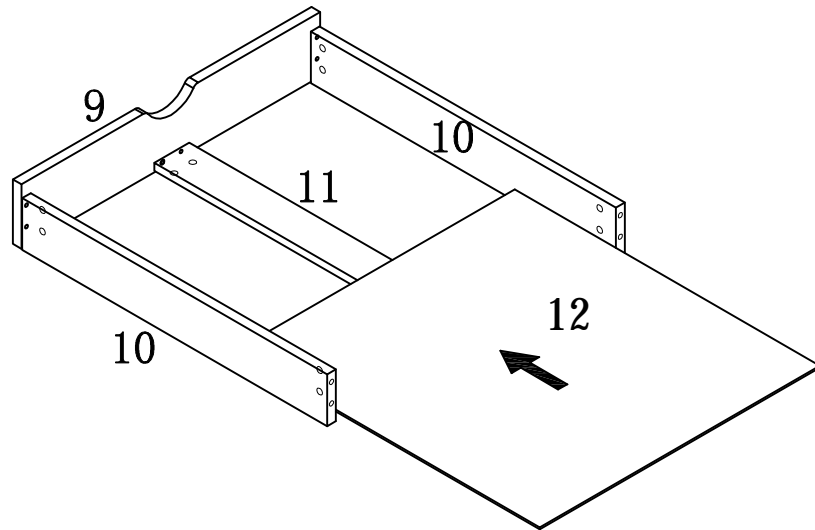


STEP 7 / ETAPE 7

STEP 8 / ETAPE 8

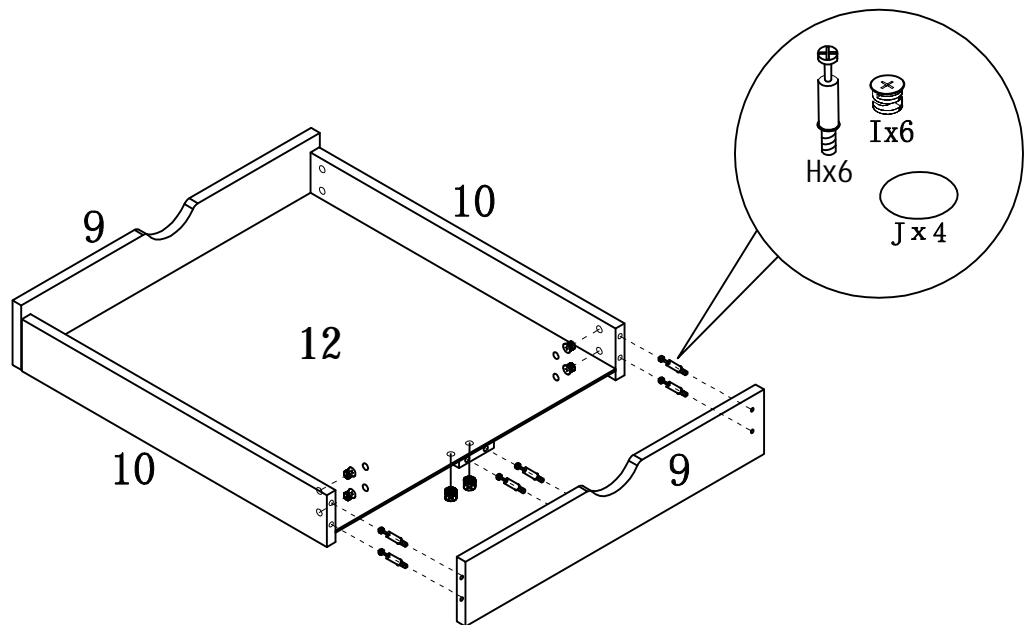


ITEM NO/NO ARTICLE: JAKEG2PK/223129-X2

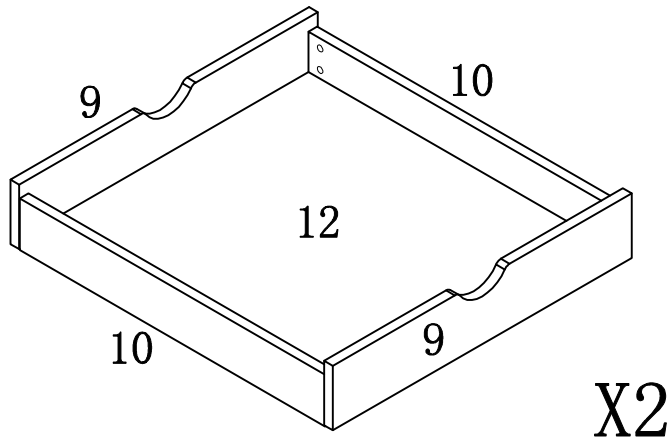


STEP 9 / ETAPE 9

STEP 10 / ETAPE 10

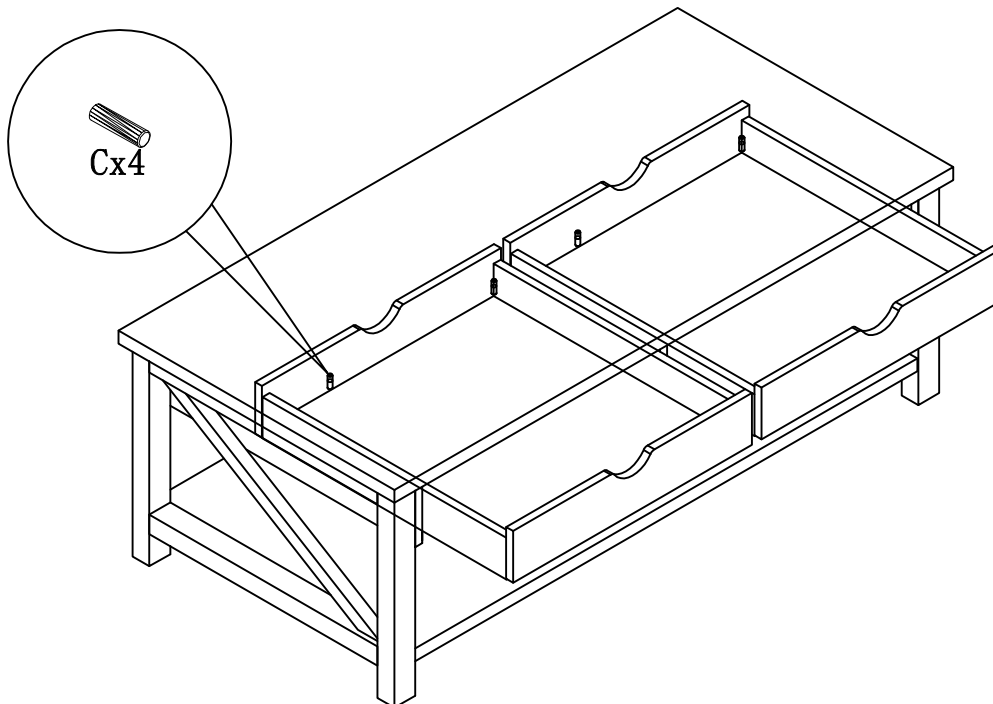


ITEM NO/NO ARTICLE: JAKEG2PK/223129-X2

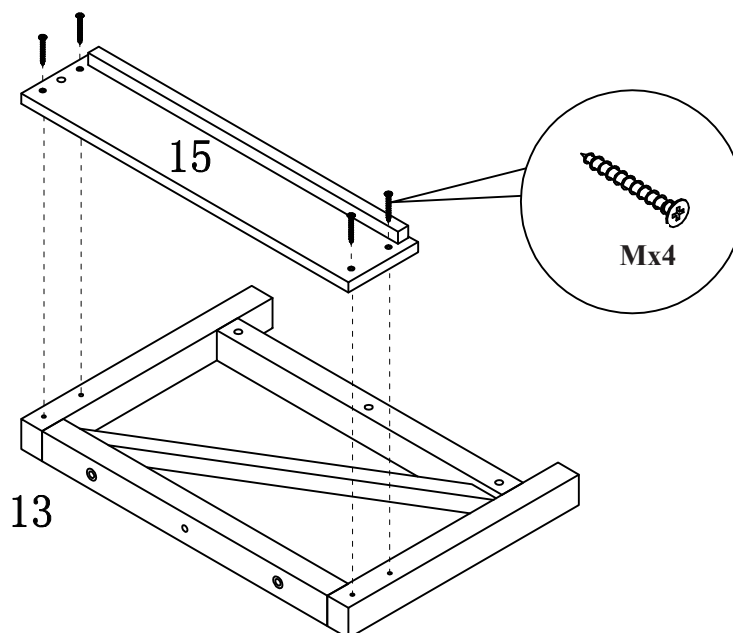


STEP 11 / ETAPE 11

STEP 12 / ETAPE 12

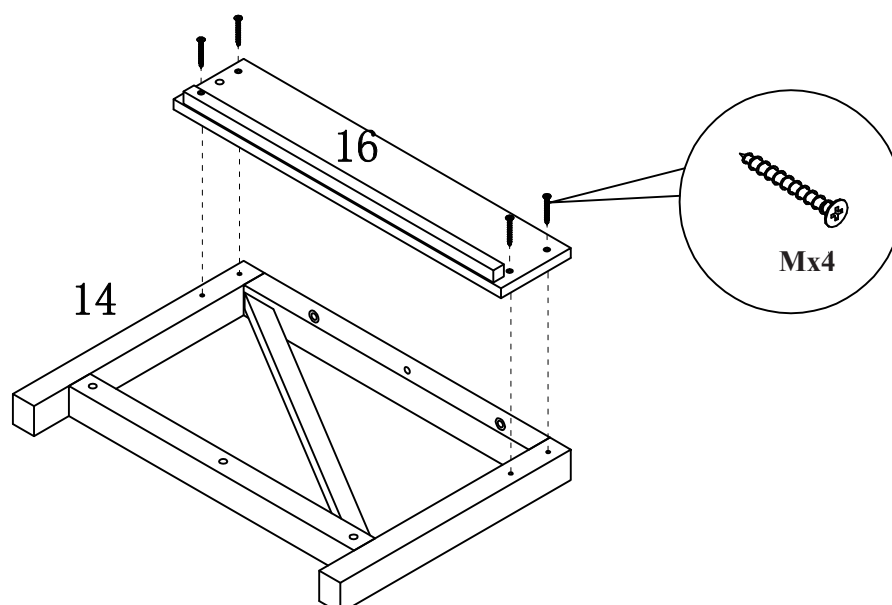


ITEM NO/NO ARTICLE: JAKEG2PK/223129-X2

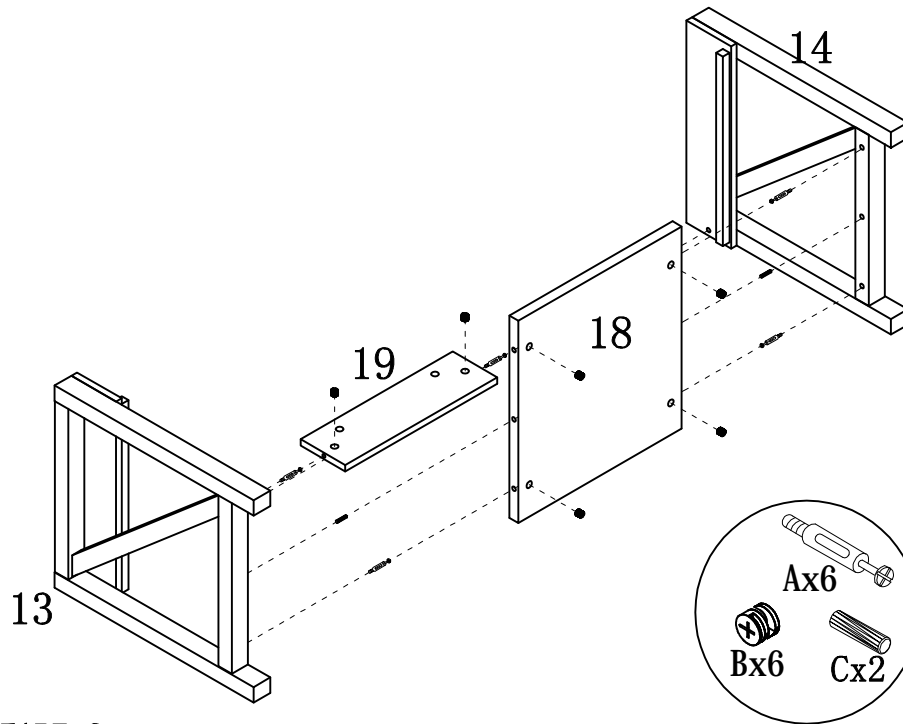


STEP 1 / ETAPE 1

STEP 2 / ETAPE 2

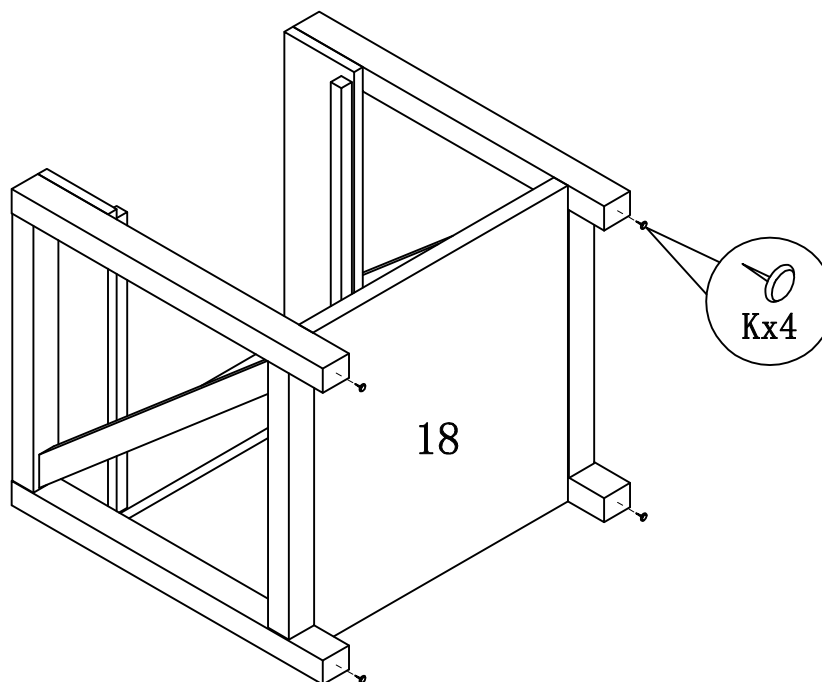


ITEM NO/NO ARTICLE: JAKEG2PK/223129-X2

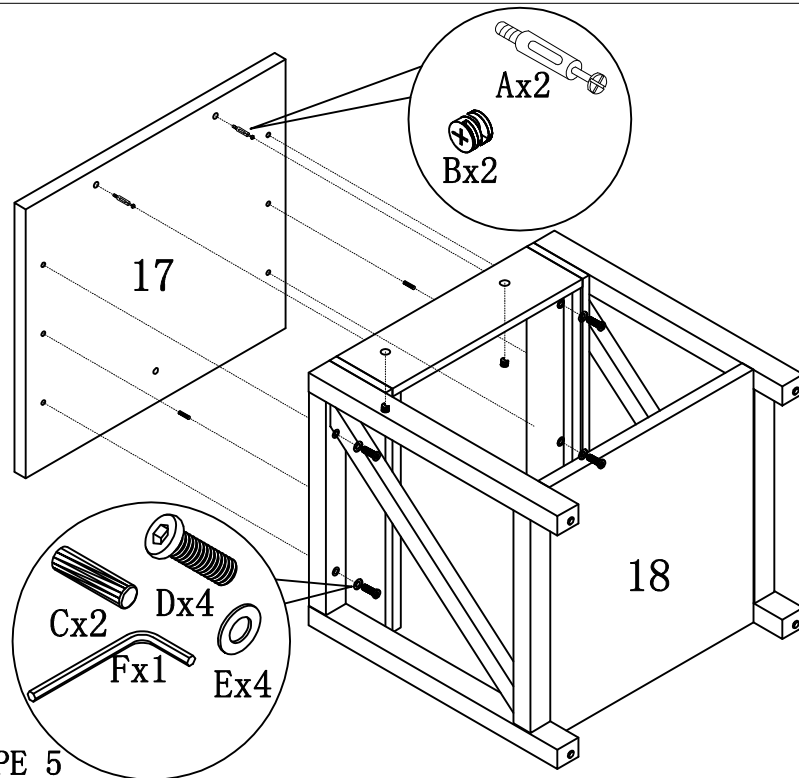


STEP 3 / ETAPE 3

STEP 4 / ETAPE 4

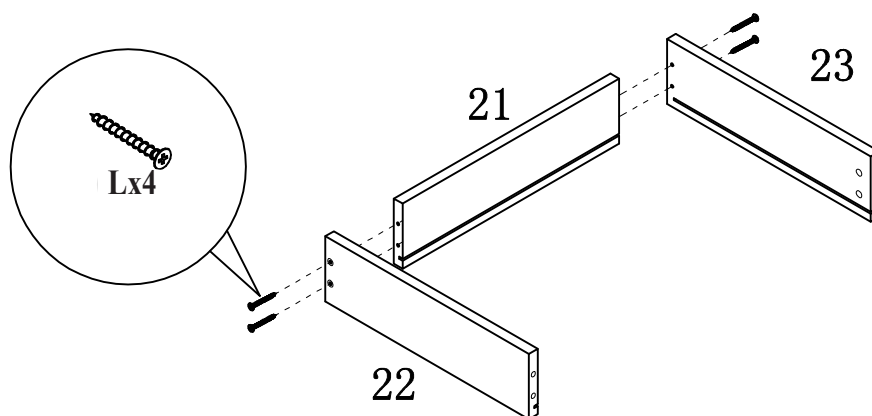


ITEM NO/NO ARTICLE: JAKEG2PK/223129-X2

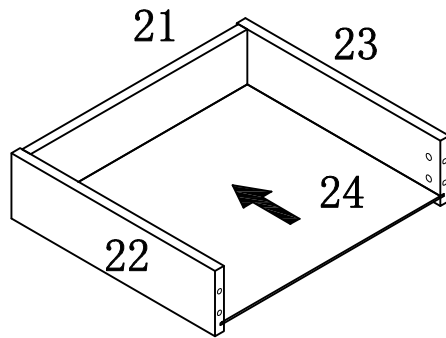


STEP 5 / ETAPE 5

STEP 6 / ETAPE 6

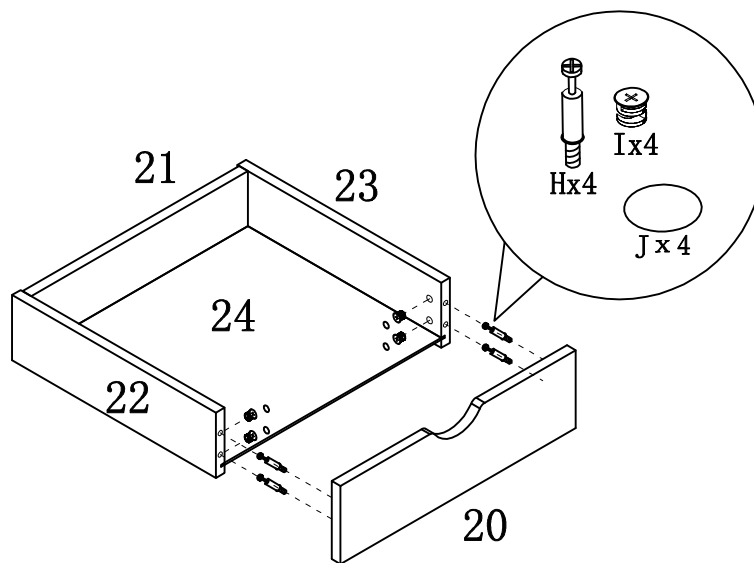


ITEM NO/NO ARTICLE: JAKEG2PK/223129-X2

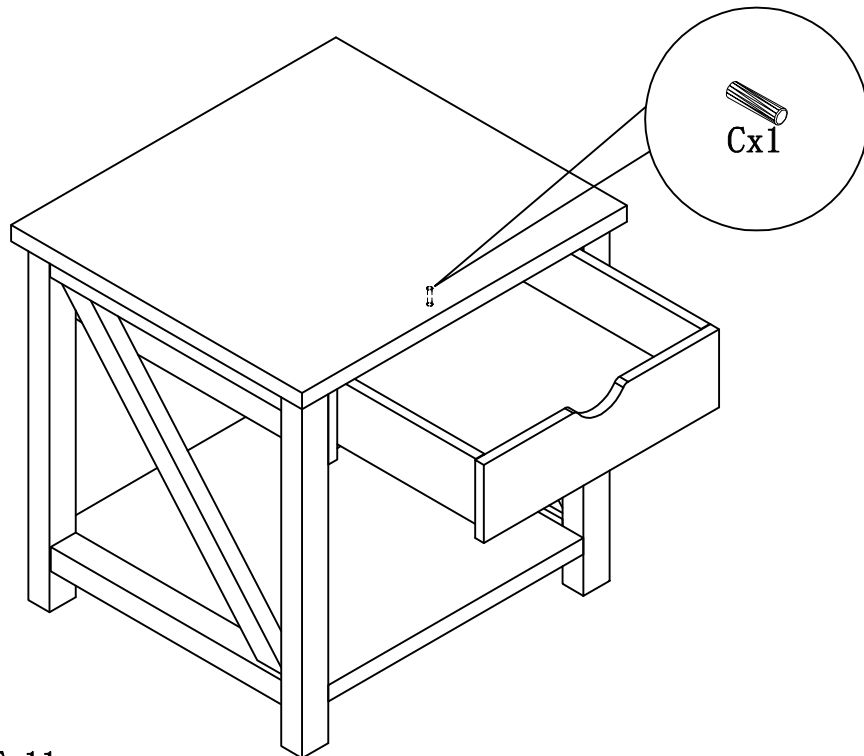


STEP 7 / ETAPE 7

STEP 8 / ETAPE 8



ITEM NO/NO ARTICLE: JAKEG2PK/223129-X2



STEP 11 / ETAPE 11

STEP 12 / ETAPE 12

