


# Assembly Instruction

|              |          |                        |      |          |
|--------------|----------|------------------------|------|----------|
| HOUS 3592-35 | White    | Door Night Stand w/usb | SKU# | 33535925 |
| HOUS 3594-35 | Gray     | Door Night Stand w/usb | SKU# | 33535949 |
| HOUS 3596-35 | Graphite | Door Night Stand w/usb | SKU# | 33535963 |
| HOUS 3598-35 | Mint     | Door Night Stand w/usb | SKU# | 33535987 |

Thank you for purchasing this quality product. Be sure to check all packing materials carefully for small parts which may have come loose inside the carton during shipment. Identify and count all parts and compare with the parts list below.

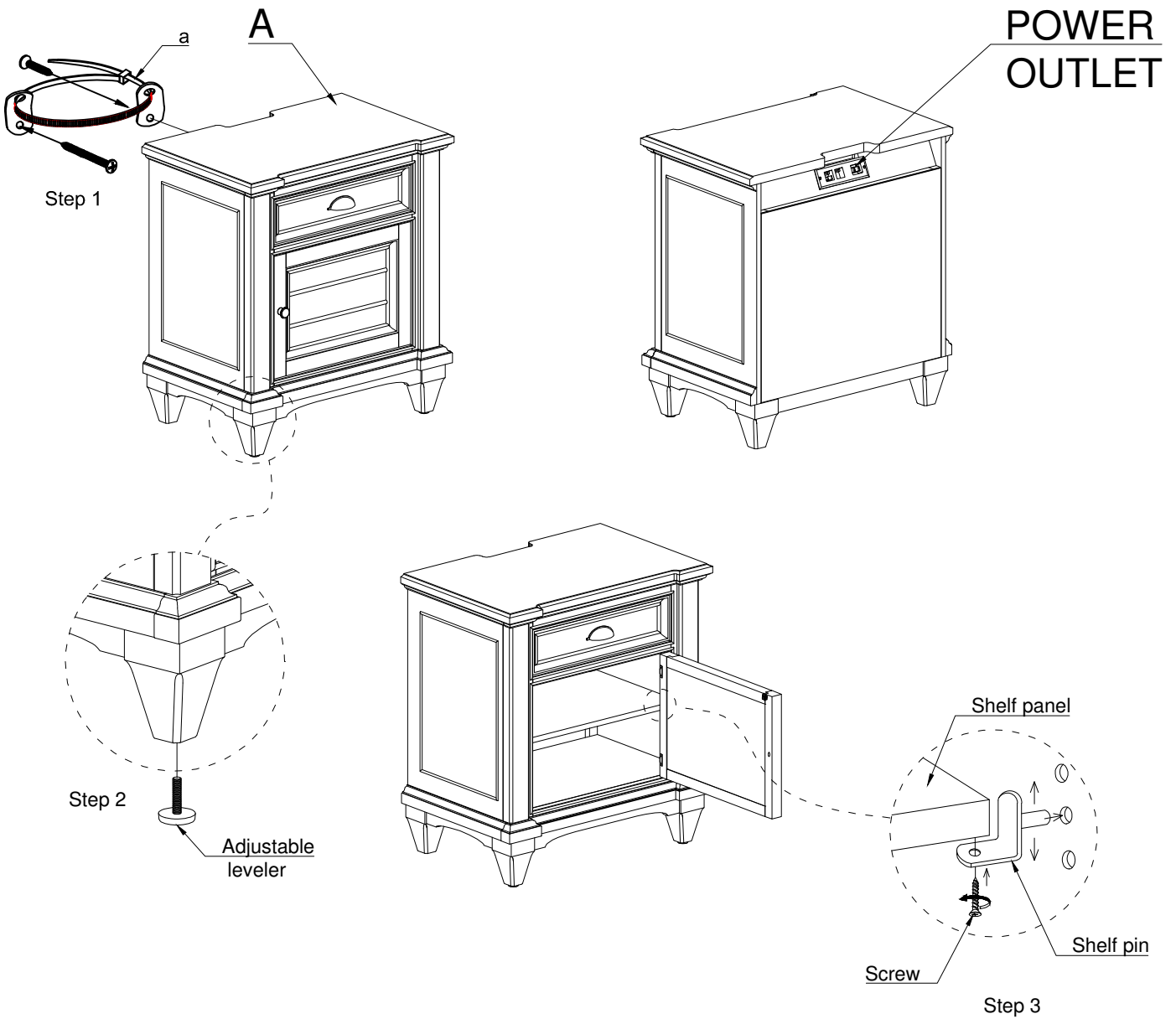
\*\*Assemble the product on a flat, soft surface such as a carpet or cloth to prevent scratching the finish. Read all instruction and study the drawings carefully before starting the assembly process.

Parts list

| NO | SKETCH  | DESCRIPTION            | Q'TY |
|----|---|------------------------|------|
| A  |  | Door Night Stand w/usb | 1 pc |

Hardware list (Enclosed In Door Night Stand w/usb)

| NO | SKETCH  | DESCRIPTION                 | Q'TY  |
|----|---|-----------------------------|-------|
| a  |  | Furniture tipping restraint | 1 set |




**Cleaning Instruction:** Clean finished parts with a mild dishwashing liquid and water solution on a damp cloth. Polish the finish with soft cloth and an industry recognized furniture polish.

# Assembly Instruction

|              |       |                     |               |
|--------------|-------|---------------------|---------------|
| HOUS 3592-36 | White | Two Drawer NS w/usb | SKU# 32535924 |
| HOUS 3594-36 | Gray  | Two Drawer NS w/usb | SKU# 32535948 |
| HOUS 3598-36 | Mint  | Two Drawer NS w/usb | SKU# 32535986 |

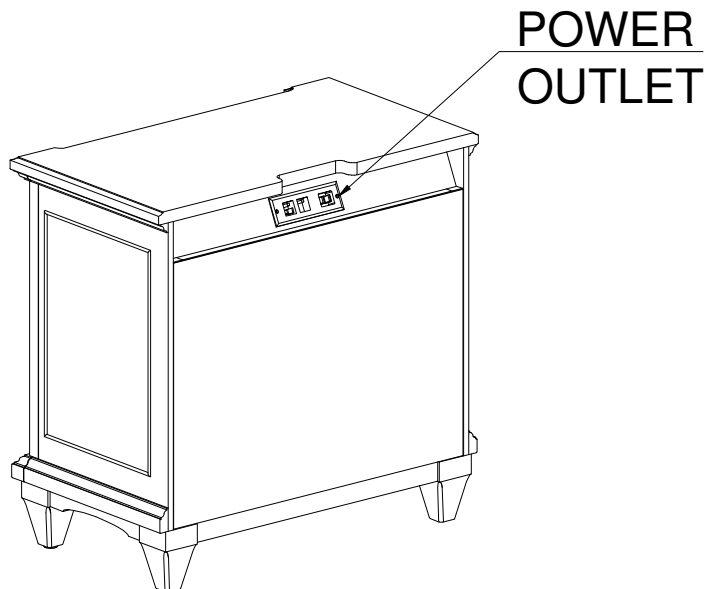
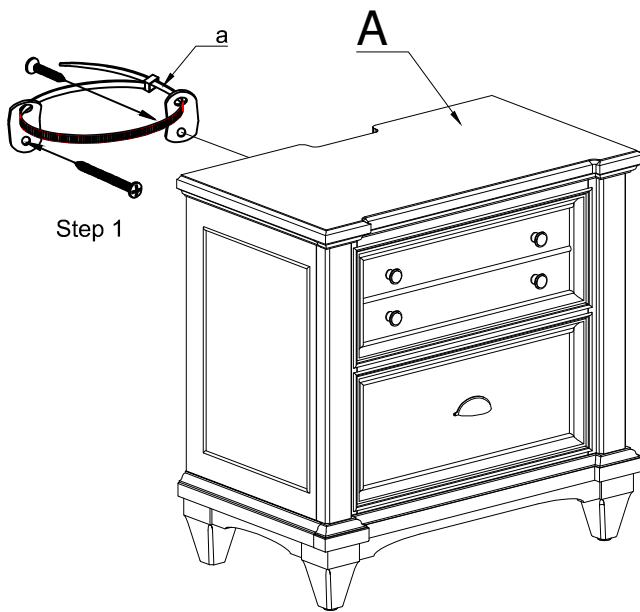
Thank you for purchasing this quality product. Be sure to check all packing materials carefully for small parts which may have come loose inside the carton during shipment. Identify and count all parts and compare with the parts list below.  
 \*\*Assemble the product on a flat, soft surface such as a carpet or cloth to prevent scratching the finish. Read all instruction and study the drawings carefully before starting the assembly process.

**Parts list**

| NO | SKETCH  | DESCRIPTION         | Q'TY |
|----|---|---------------------|------|
| A  |  | Two Drawer NS w/usb | 1 pc |

**Hardware list (Enclosed In Two Drawer NS w/usb)**

| NO | SKETCH  | DESCRIPTION                 | Q'TY  |
|----|---|-----------------------------|-------|
| a  |  | Furniture tipping restraint | 1 set |



**Cleaning Instruction:** Clean finished parts with a mild dishwashing liquid and water solution on a damp cloth. Polish the finish with soft cloth and an industry recognized furniture polish.