

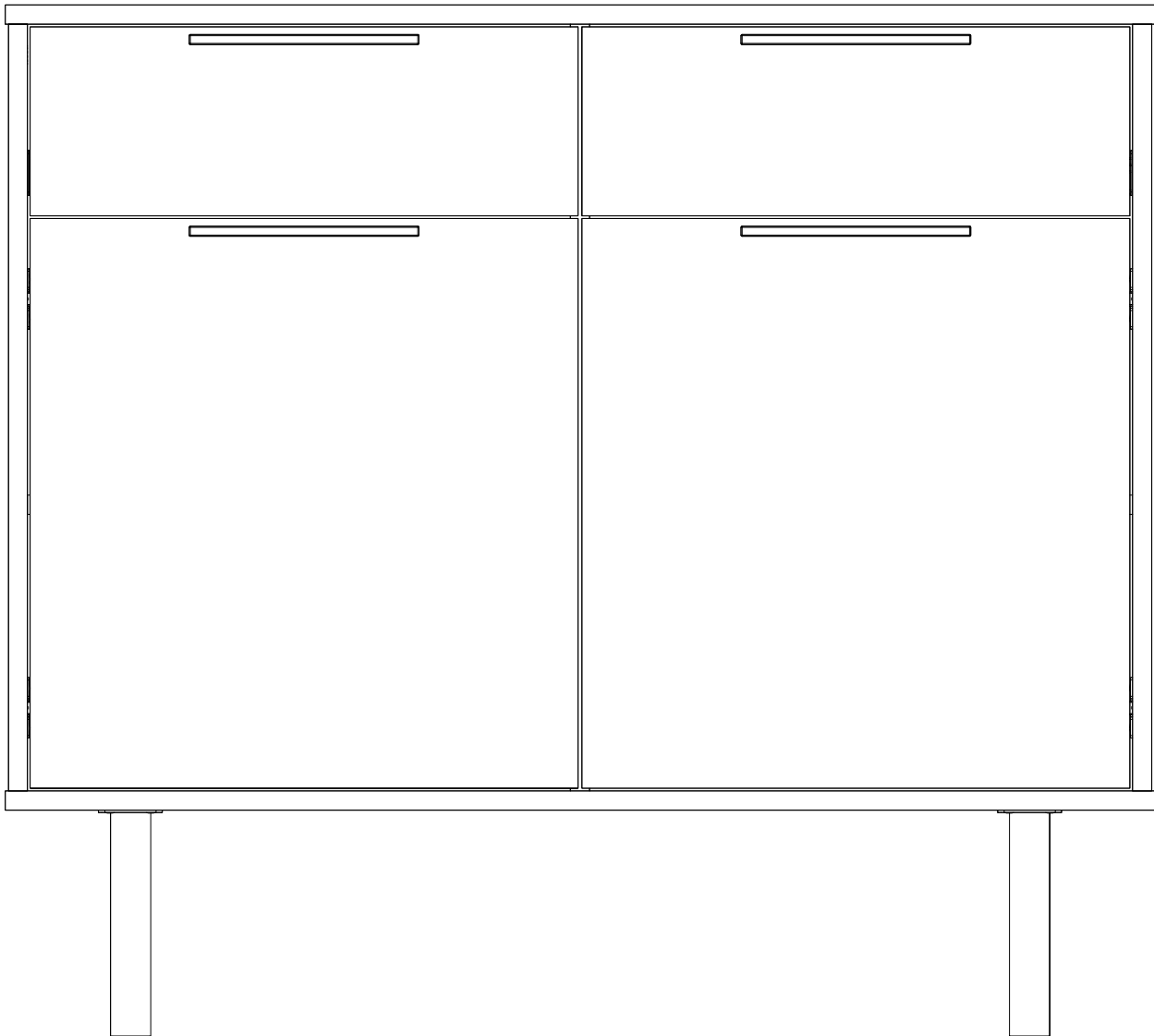


MANHATTAN  
COMFORT

---

# ASSEMBLY GUIDE

## SB-311AMC



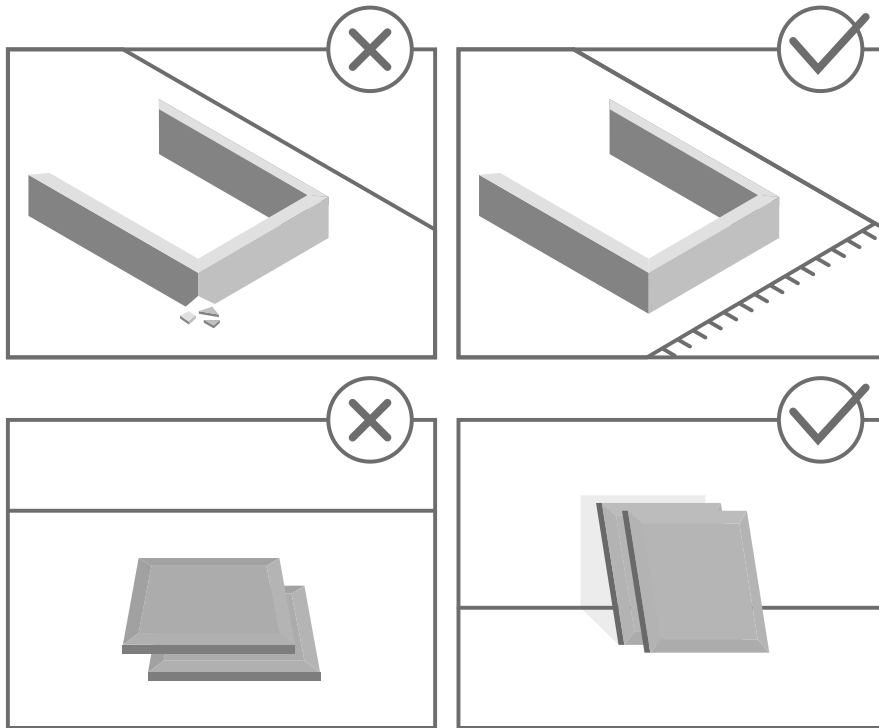


# STOP!

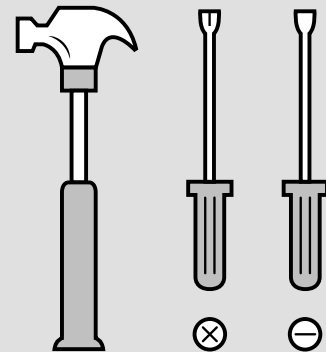
Before beginning the assembly process, ensure all boxes and parts have been delivered.

## FOR BEST RESULTS:

- Do not throw away packaging materials until assembly is complete.
- Assemble item on a soft surface, such as cardboard or carpet, to protect finish.
- Proper assembly requires two people.



## TOOLS REQUIRED



## SUPPORT SITE



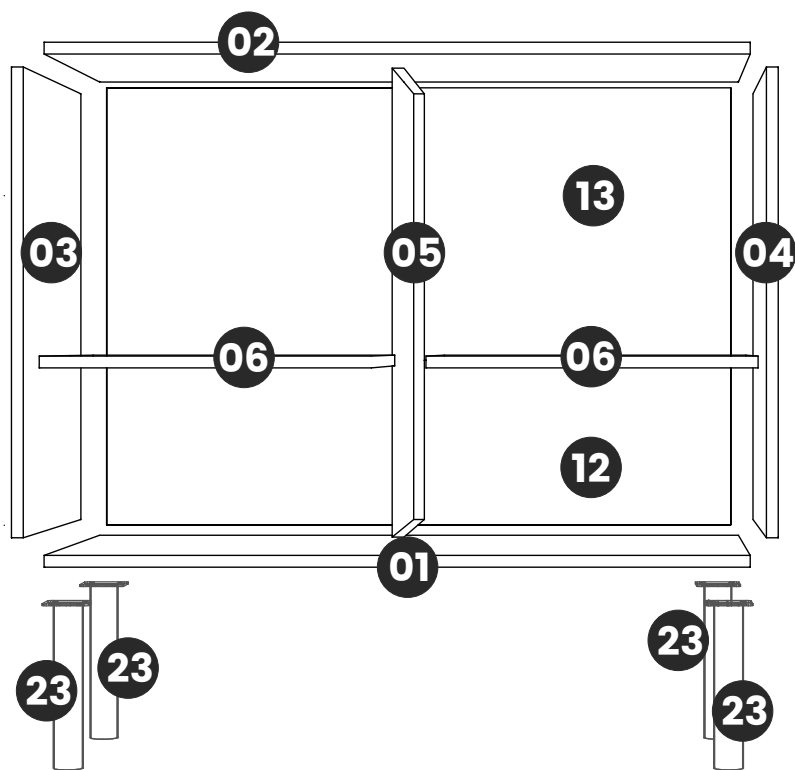
View our assembly video online:  
[WWW.MANHATTANCOMFORT.COM](http://WWW.MANHATTANCOMFORT.COM)



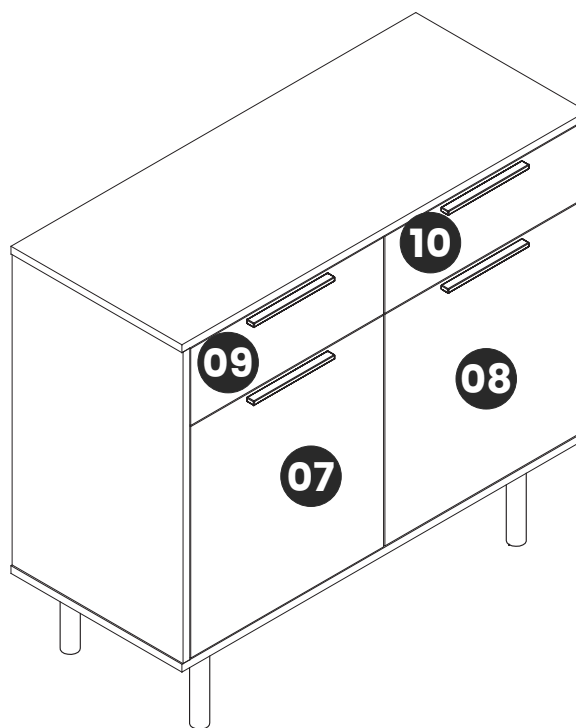
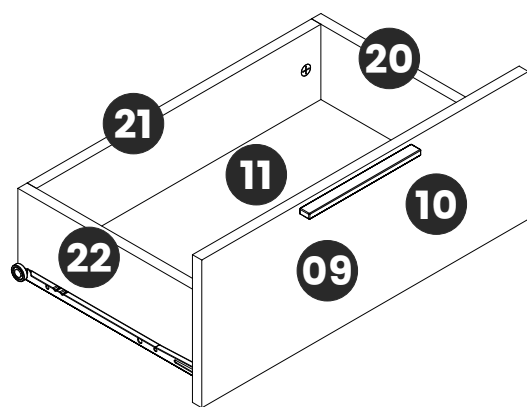
Stuck? Question? We are here to help.  
tel: **1-908-888-0818**  
e-mail: [help@manhattancomfort.com](mailto:help@manhattancomfort.com)







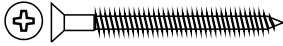
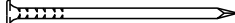
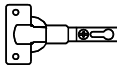
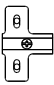
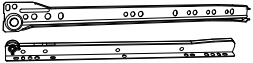
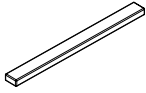

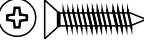

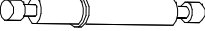


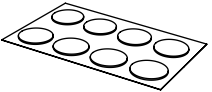
# Included in this package:





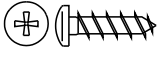
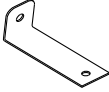
- |                        |    |
|------------------------|----|
| 01. Base               | x1 |
| 02. Top                | x1 |
| 03. Left Side          | x1 |
| 04. Right Side         | x1 |
| 05. Left Partition     | x1 |
| 06. Right Partition    | x2 |
| 07. Shelf              | x1 |
| 08. Front Drawer       | x1 |
| 09. Left Door          | x1 |
| 10. Right Door         | x1 |
| 11. Bottom Drawer      | x2 |
| 12. Back               | x1 |
| 13. Lower Front Drawer | x1 |
| 20. Right Side Drawer  | x2 |
| 21. Back Drawer        | x2 |
| 22. Left Side Drawer   | x2 |
| 23. Feet               | x4 |



# Included in this package:

- A-

EF 000033x 32
- B-

EF 000094 X 18
- C-

EF 000216 X 22
- D-

EF 000106 X 28
- E-

EF 000132 x 6
- F-

EF 000168 X 70
- G-

EF 000043 X 4
- H-

EF 000025 X 4
- I-

DRAWER TRAKS x 4
- J-

HANDLE x 4
- K-

EF 000107 x 16
- L-

EF 000381 x 8
- M-

EF 000091 x 4
- N-

EF 000067 X 2
- O-

EF 000247 X 2
- Y-

CHALK x 01
- Z-

STICKER x 22

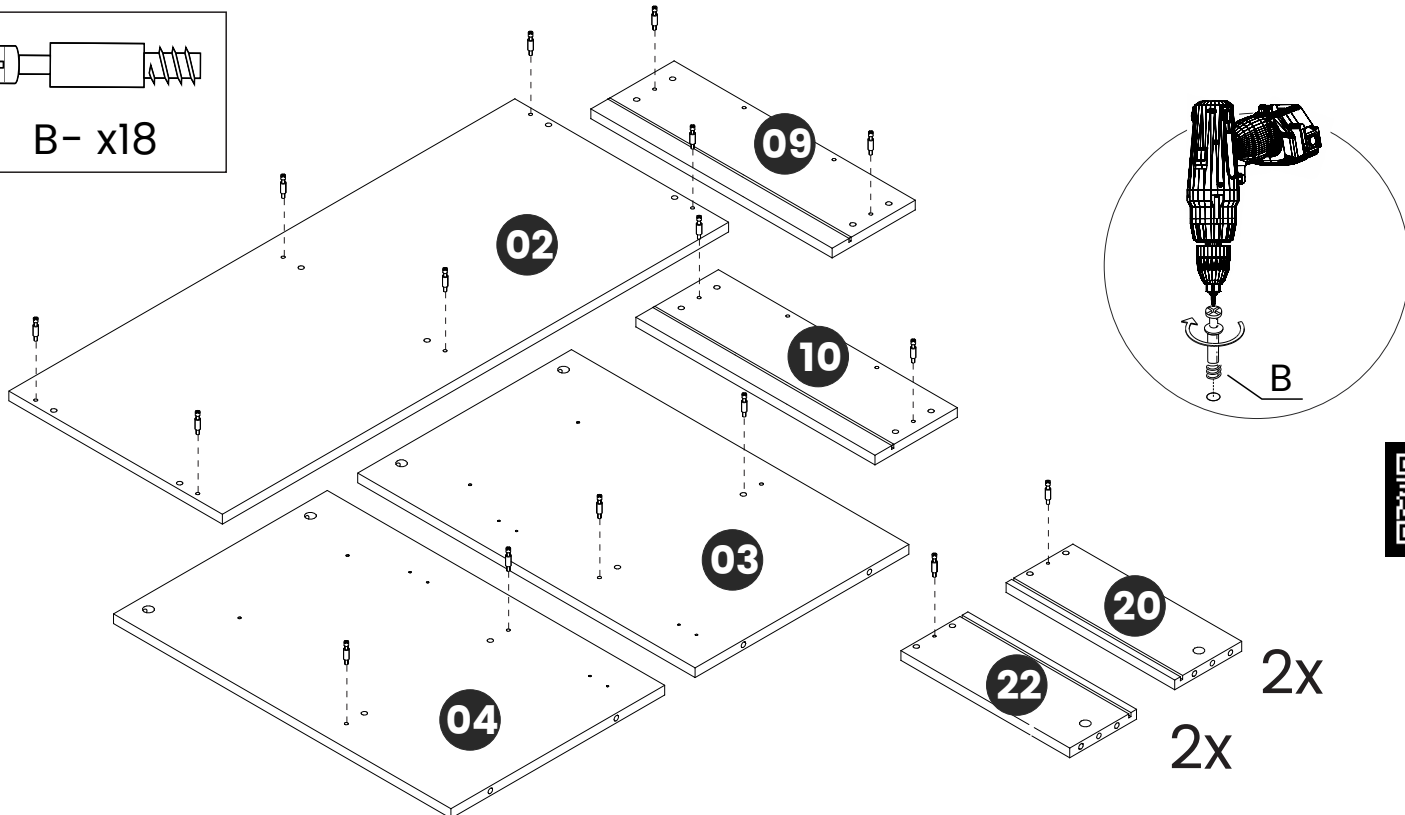
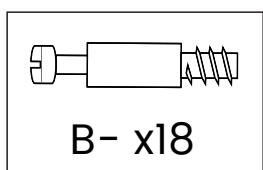
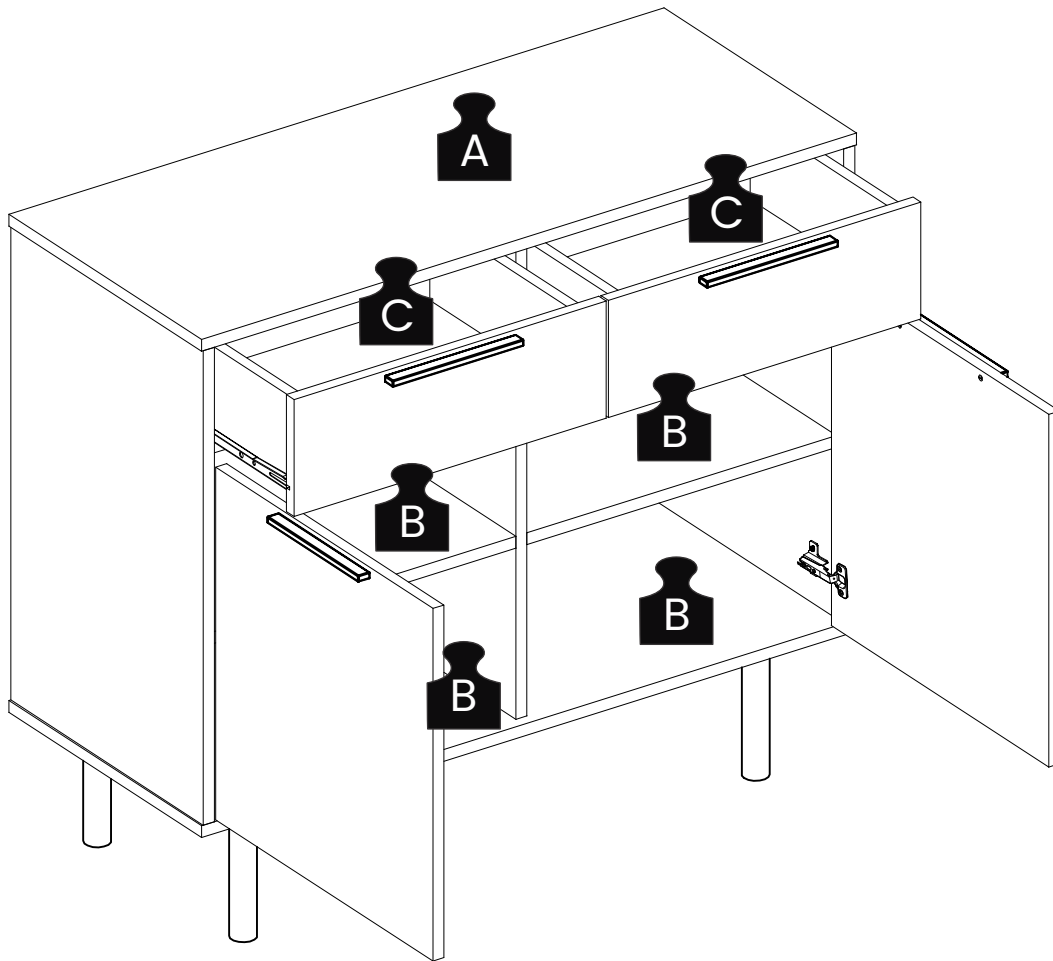
## HARDWARE WALL FIXING

- U-

EF 000016 X 1
- V-

EF 000246 x 1
- W-

EF 000248 X 1
- X-

EF 000529 X 1

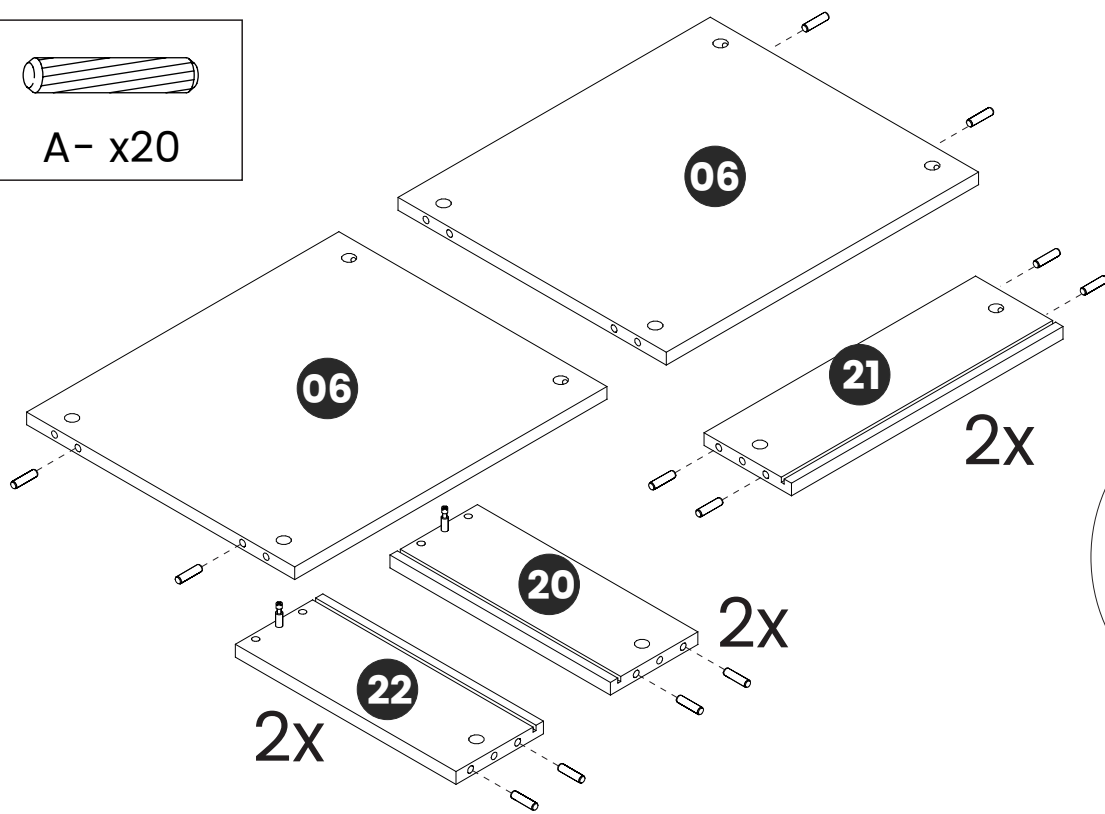
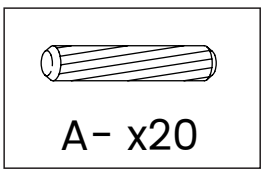
**A** = 12 KG - 26.45 LB

**B** = 5 KG - 11.02 LB

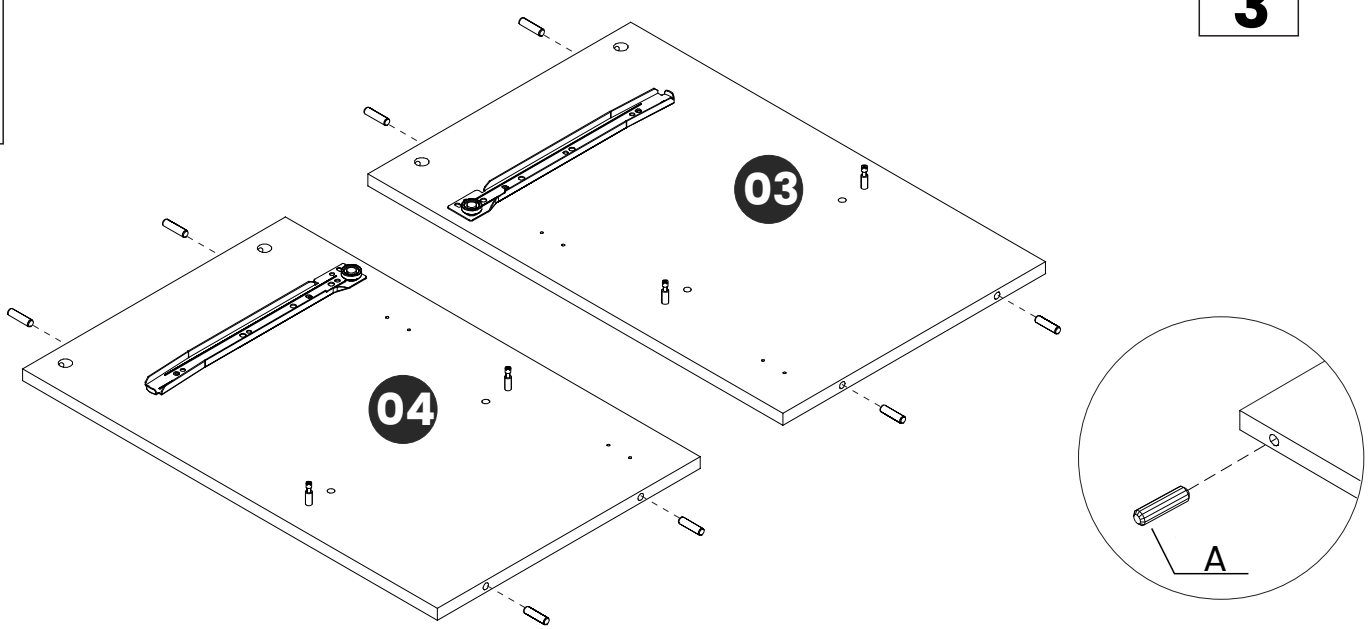
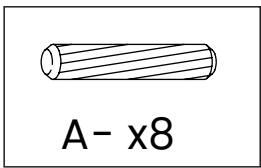
**C** = 2 KG - 4.40 LB



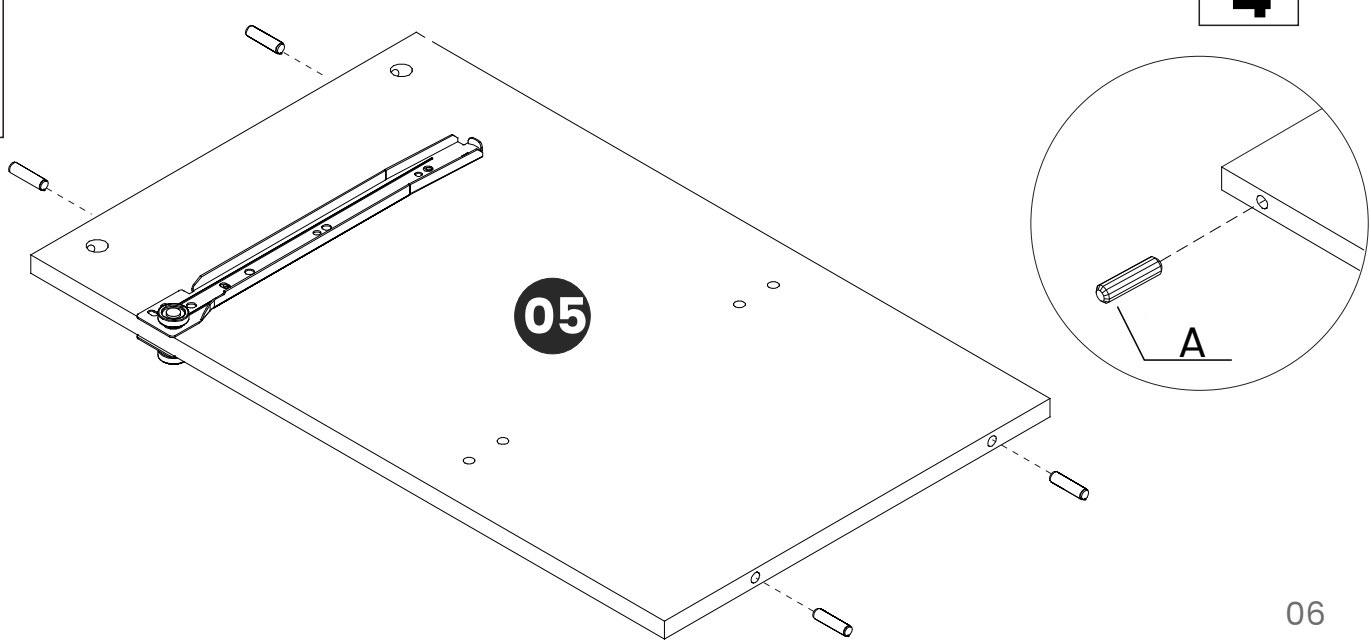
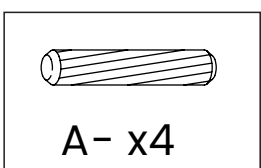
**2**




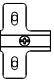
**3**

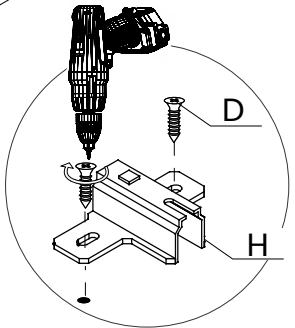
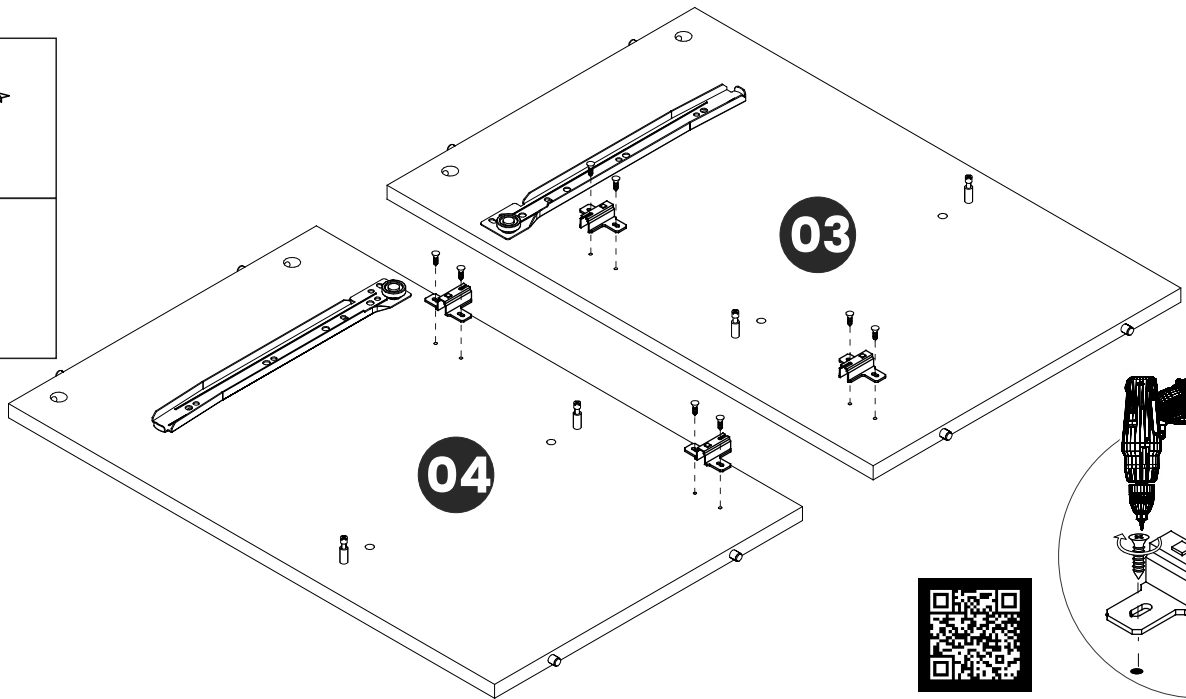


**4**


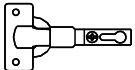
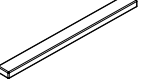



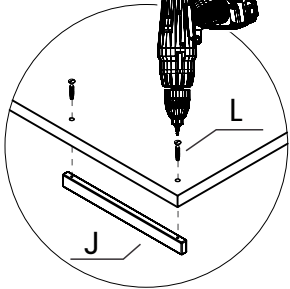
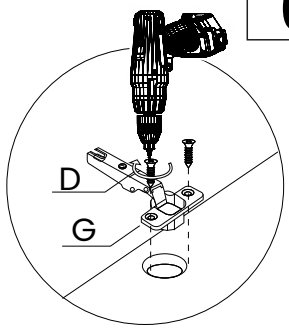
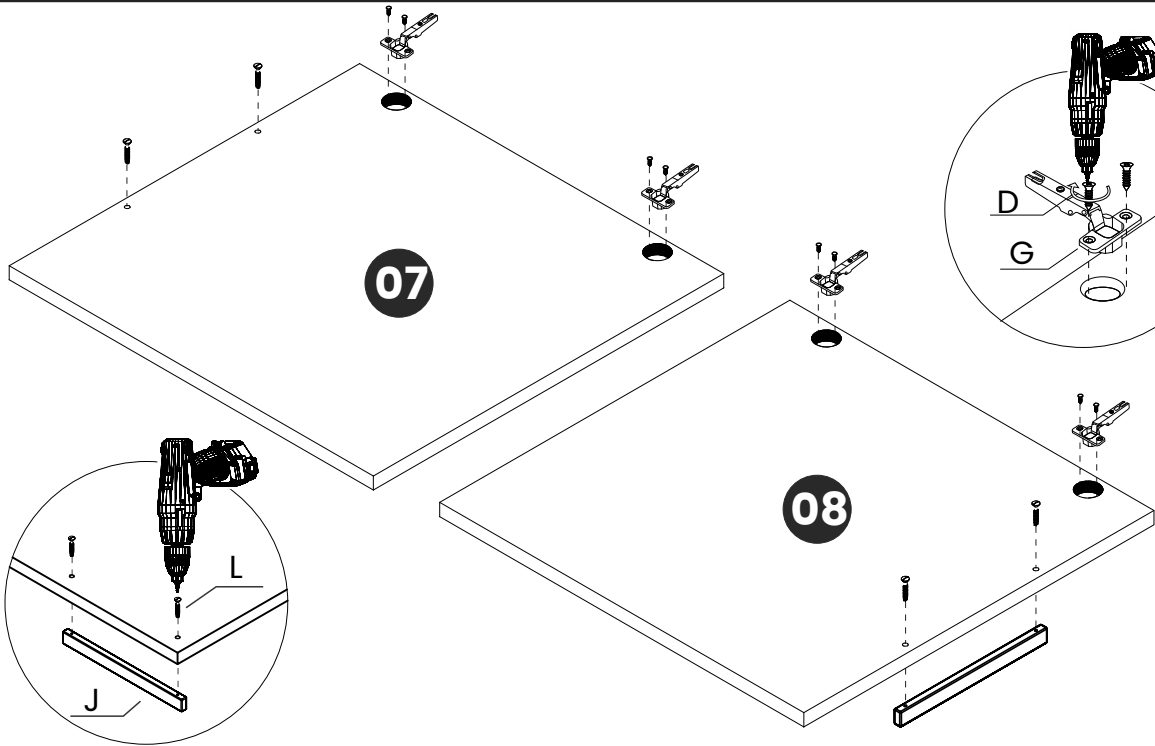
5

-  D- x8
-  H- x4


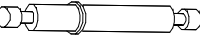



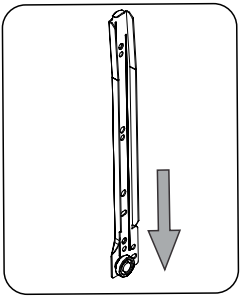
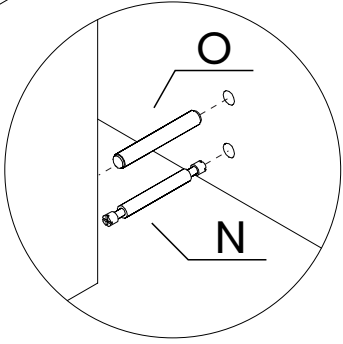
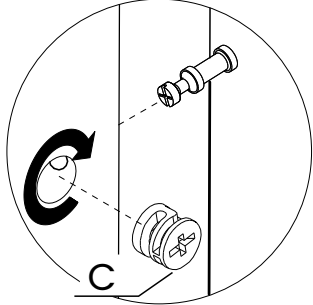
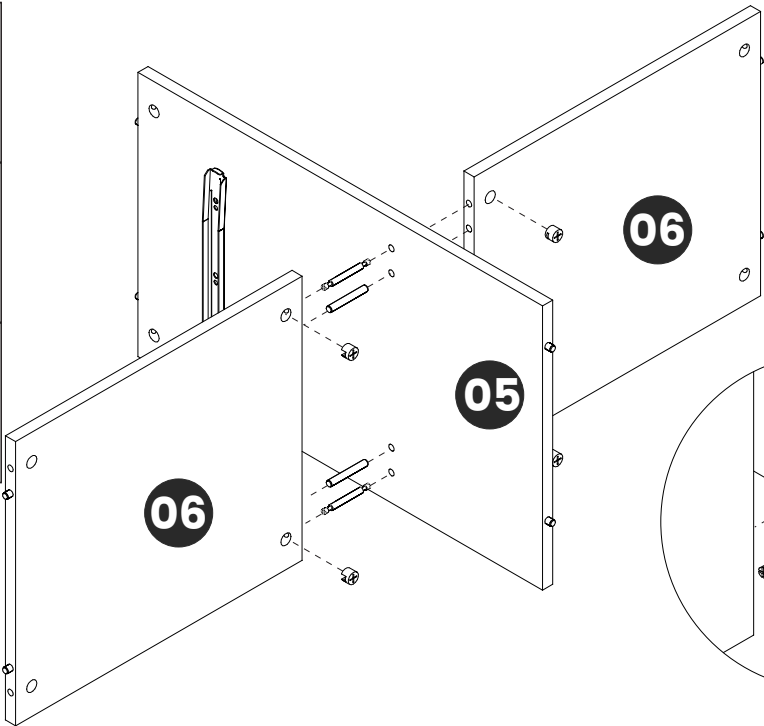
6

-  D- x8
-  G- x4
-  J- x2
-  L- x4



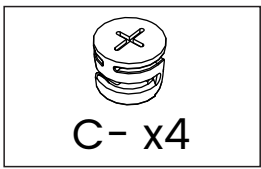
7

-  C- x4
-  N- x2
-  O- x2

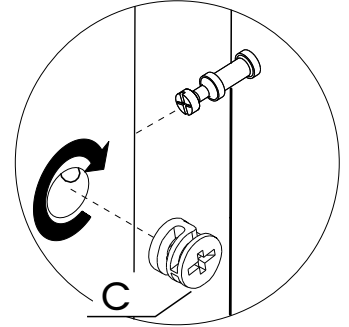
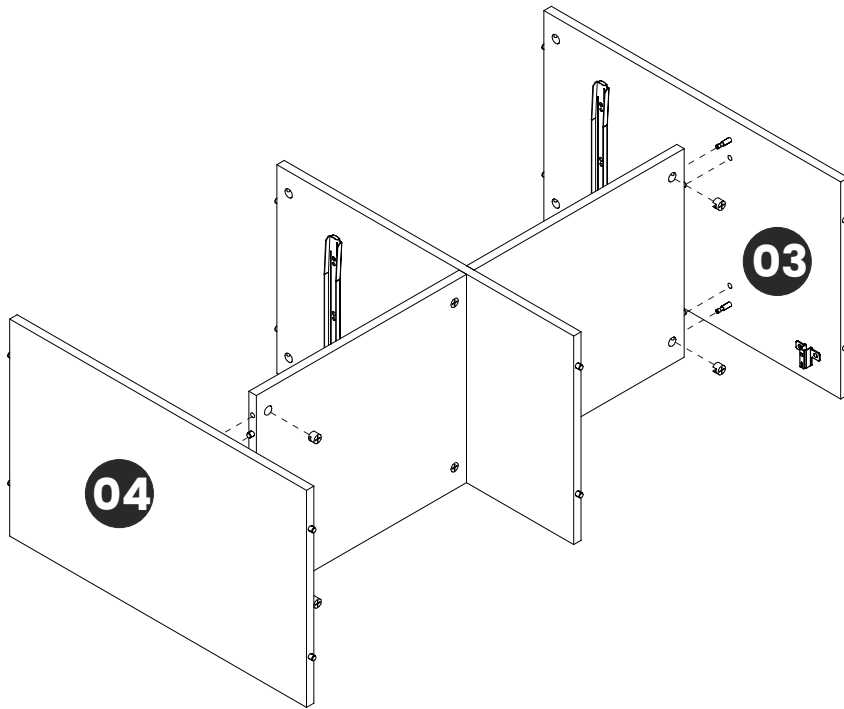
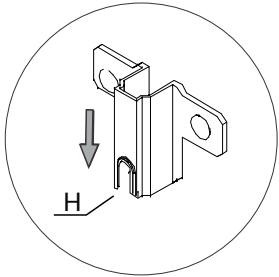


NOTE:  
NOTA:

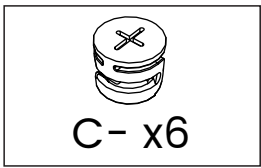
8



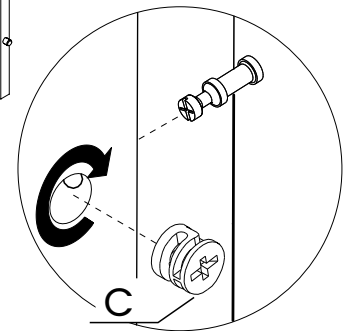
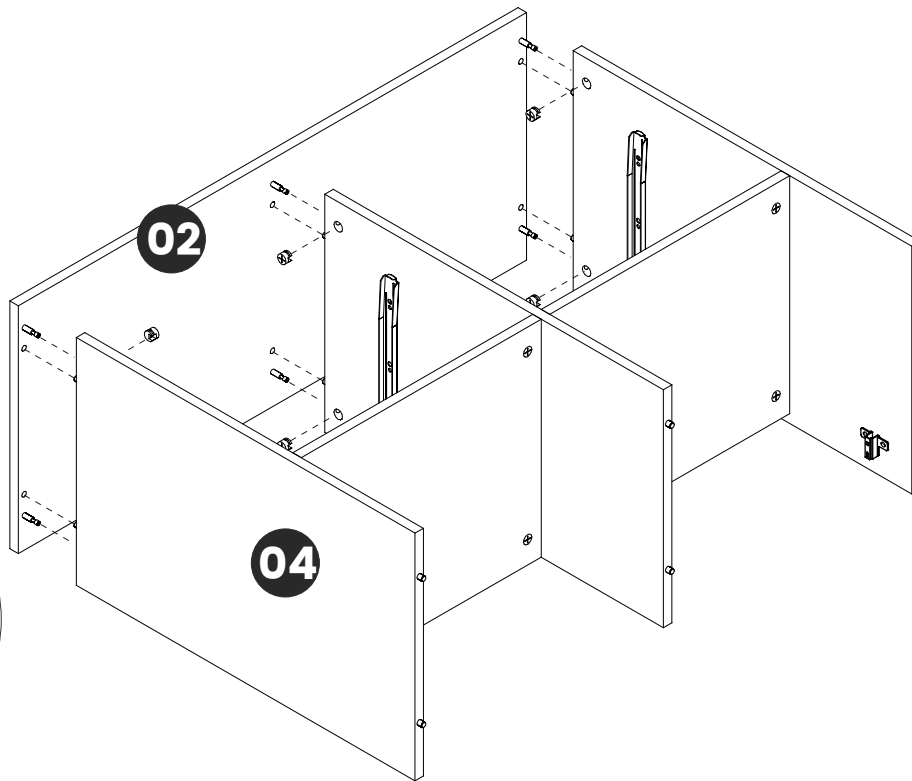
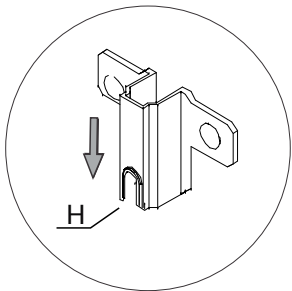
NOTE:  
NOTA:



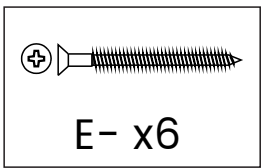
9



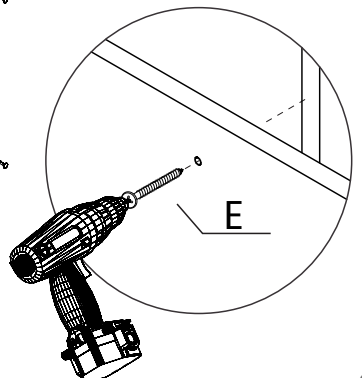
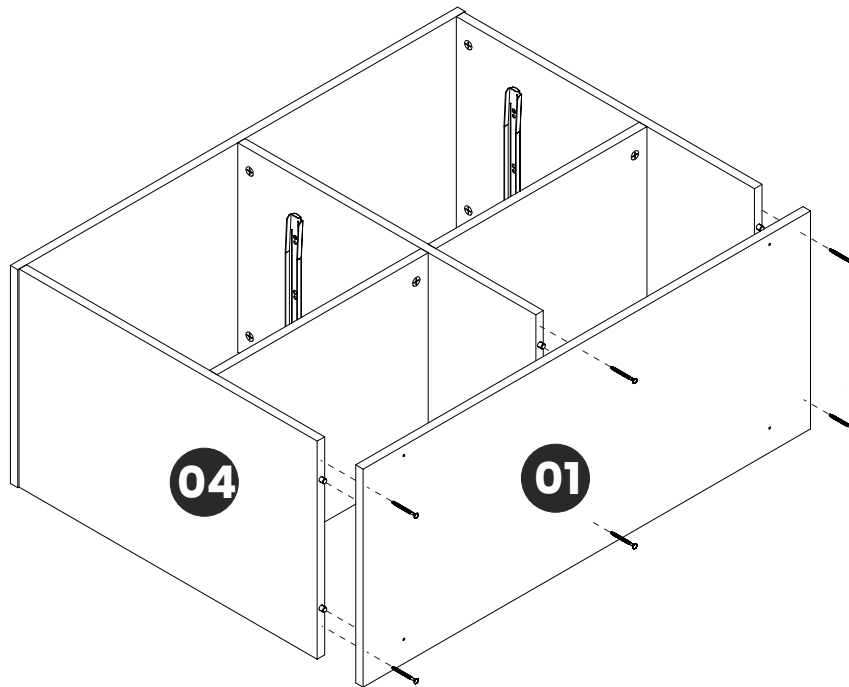
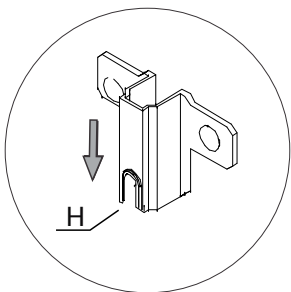
NOTE:  
NOTA:



10

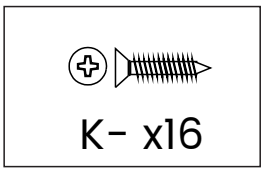


NOTE:  
NOTA:

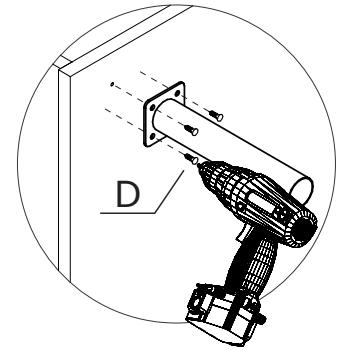
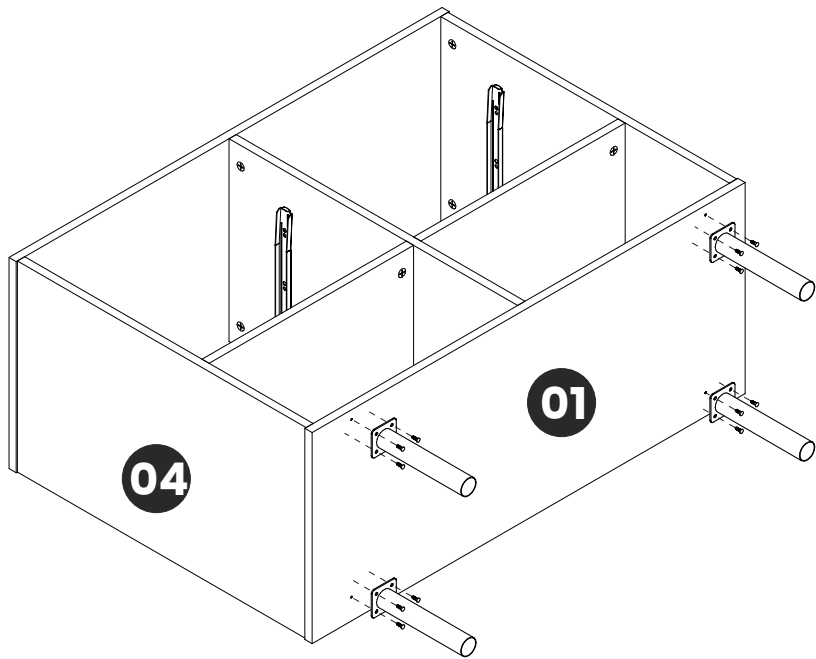
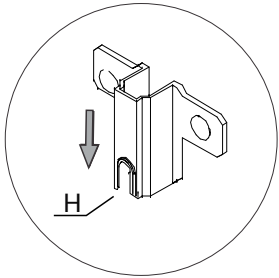




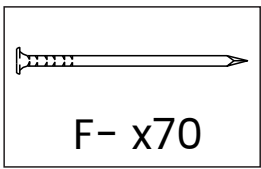
11



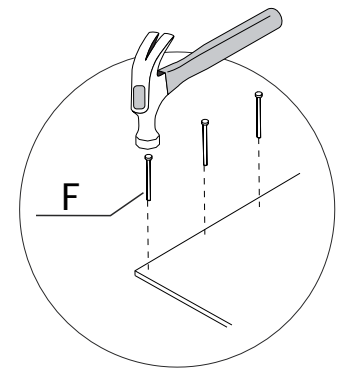
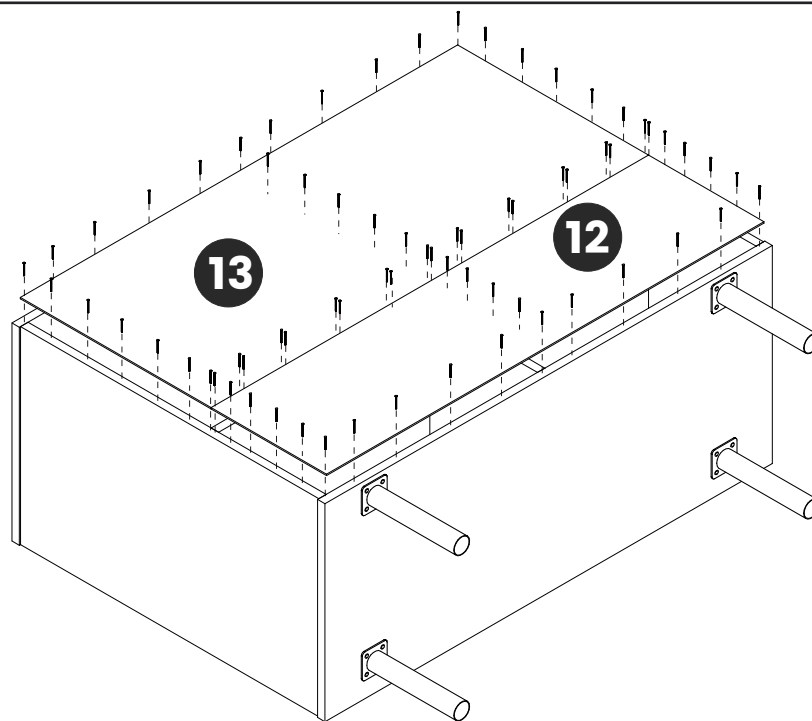
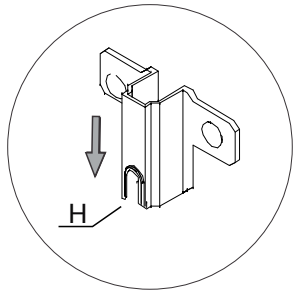
NOTE:  
NOTA:



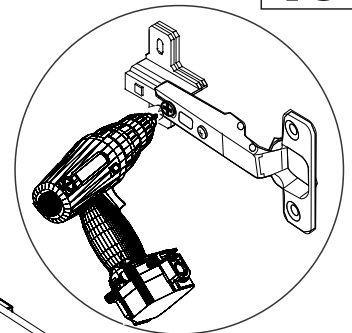
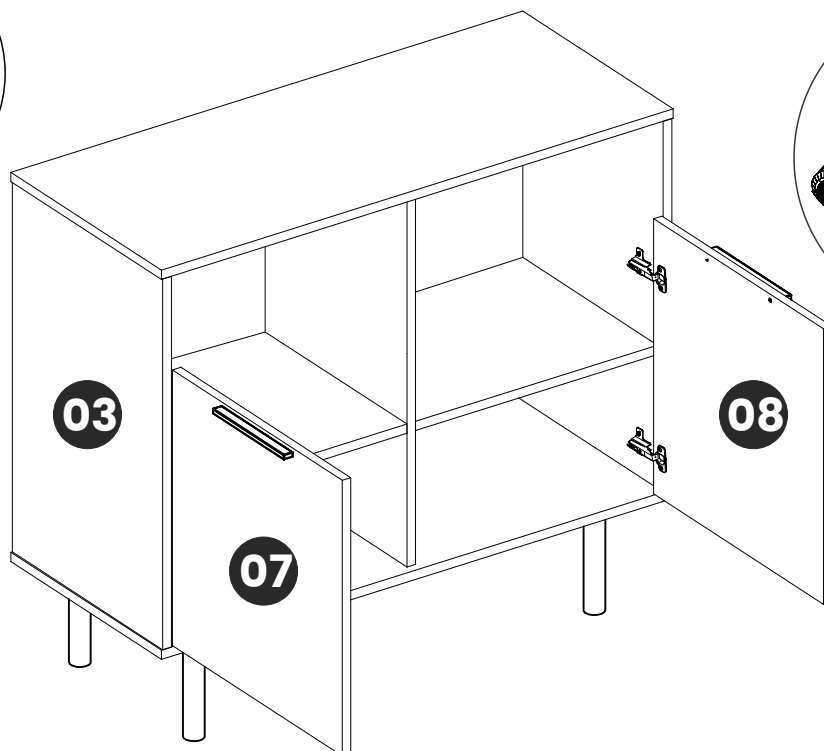
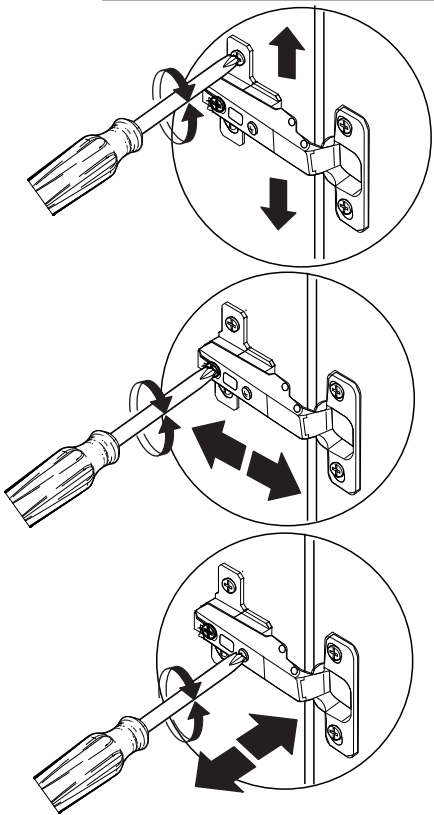
12



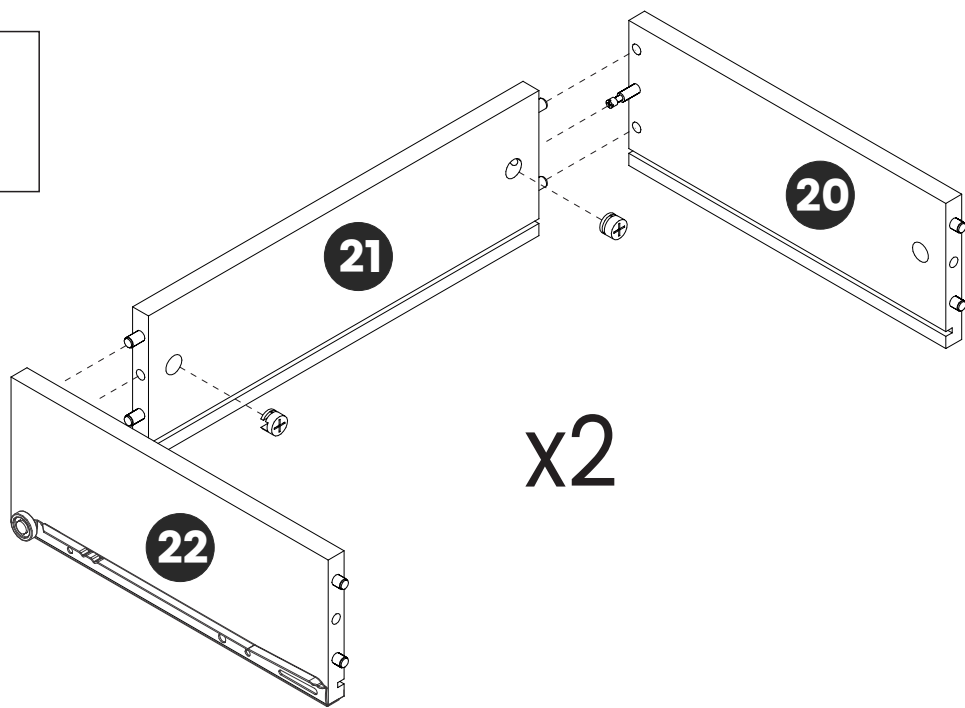
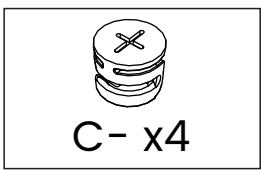
NOTE:  
NOTA:



13

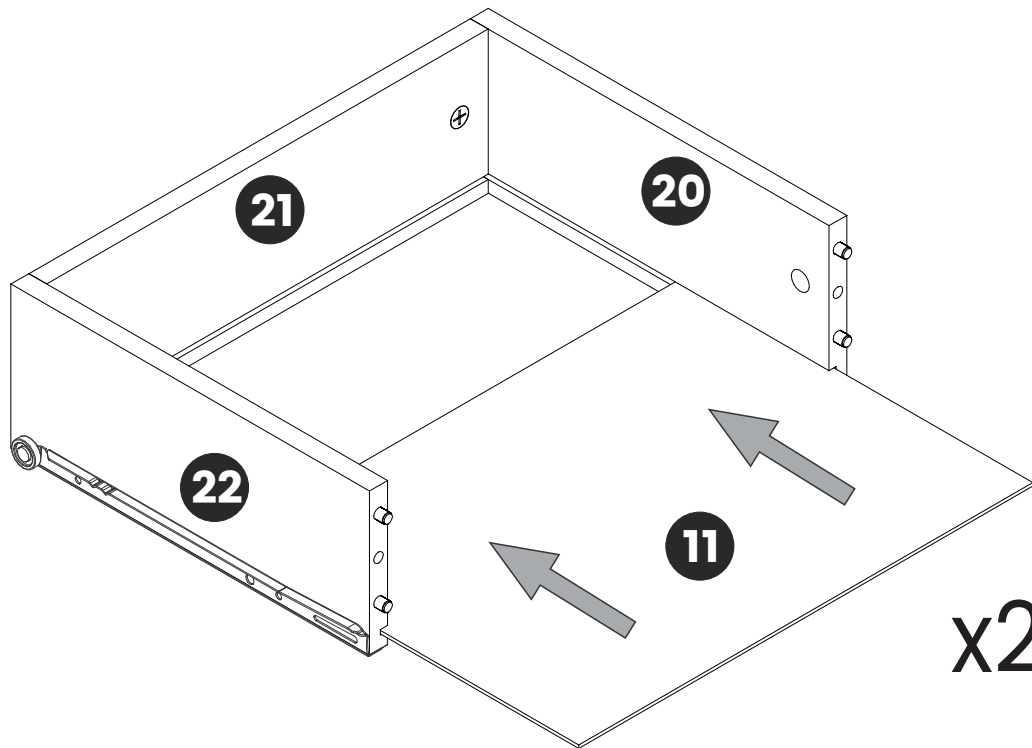


14



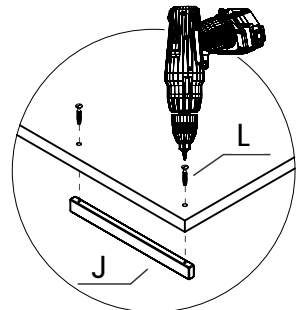
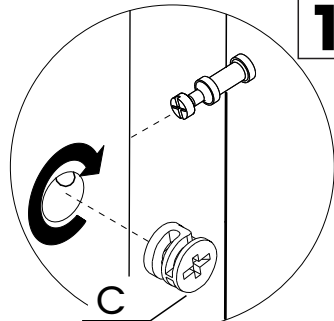
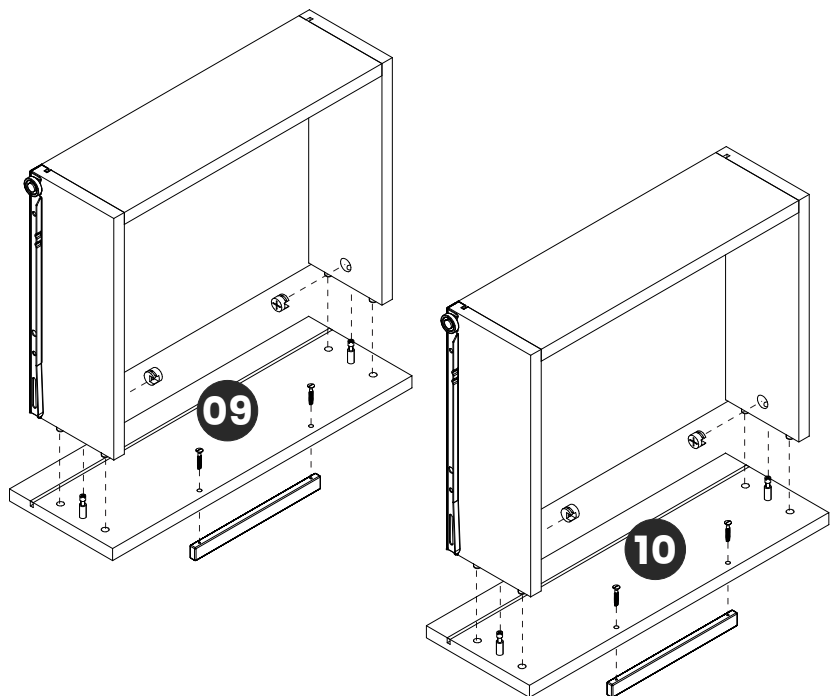
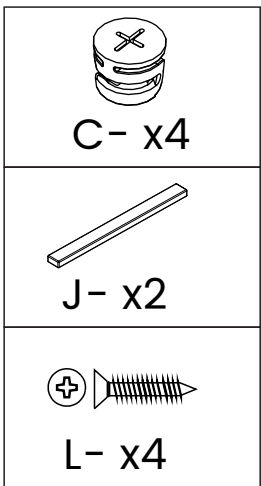
x2

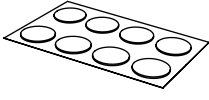
15




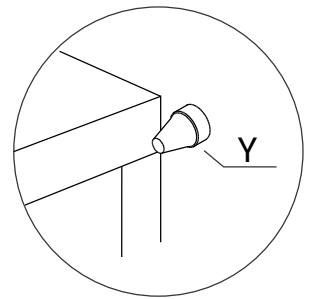
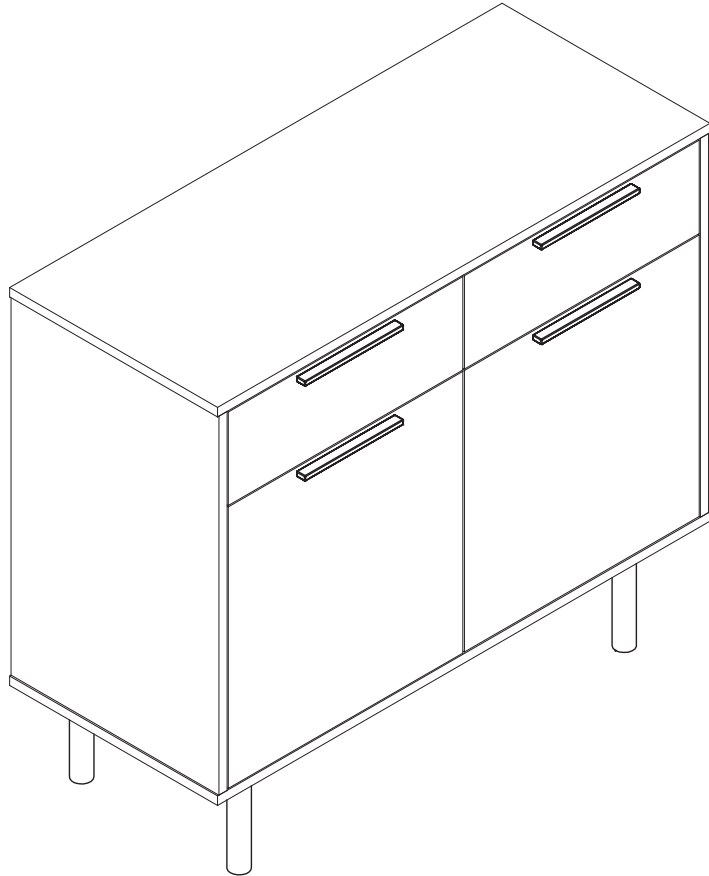
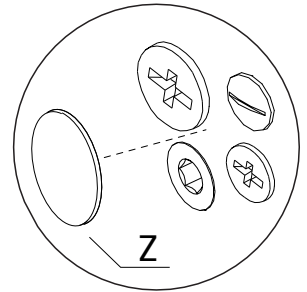
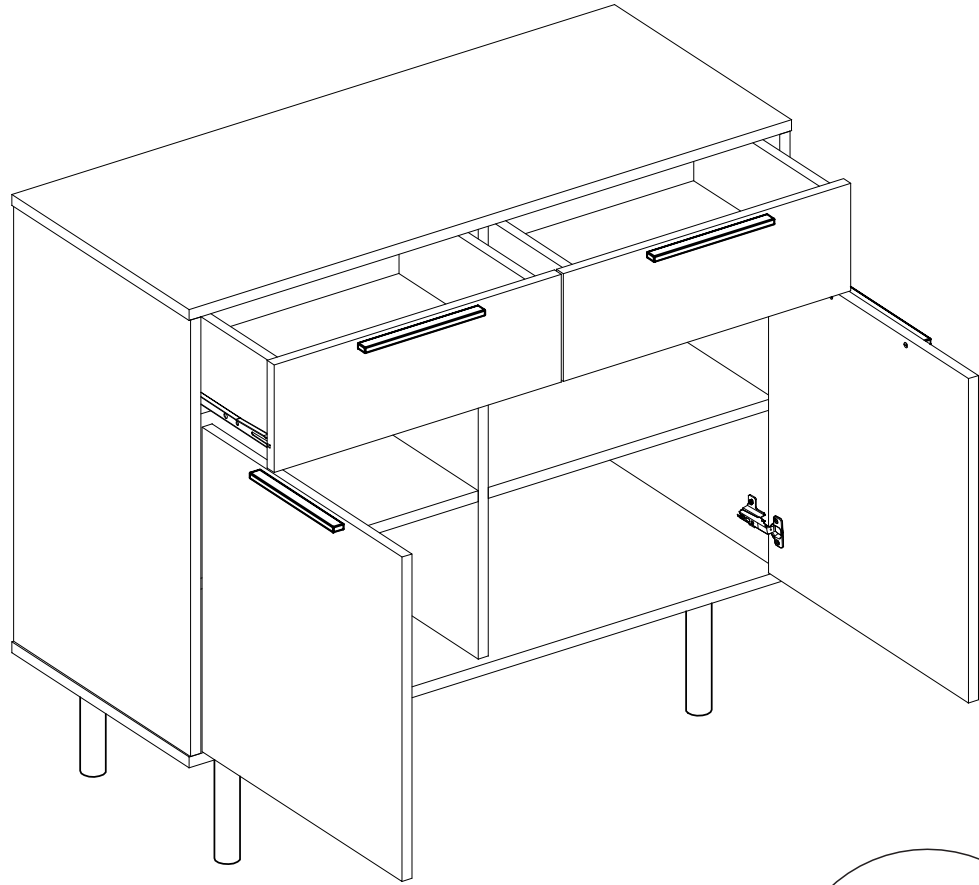
x2




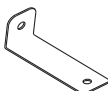
16

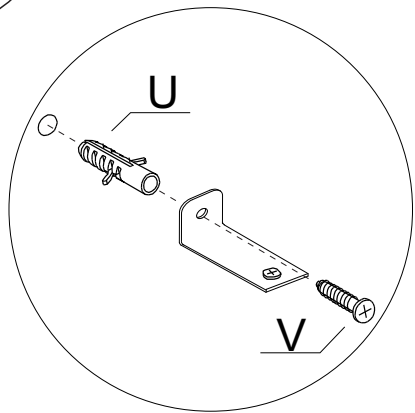
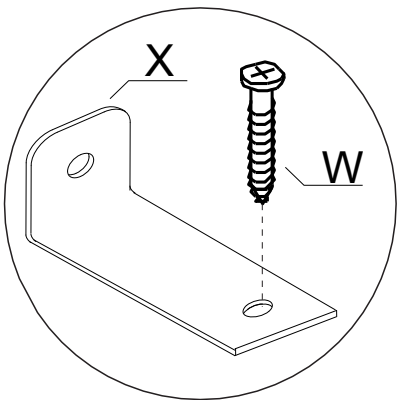
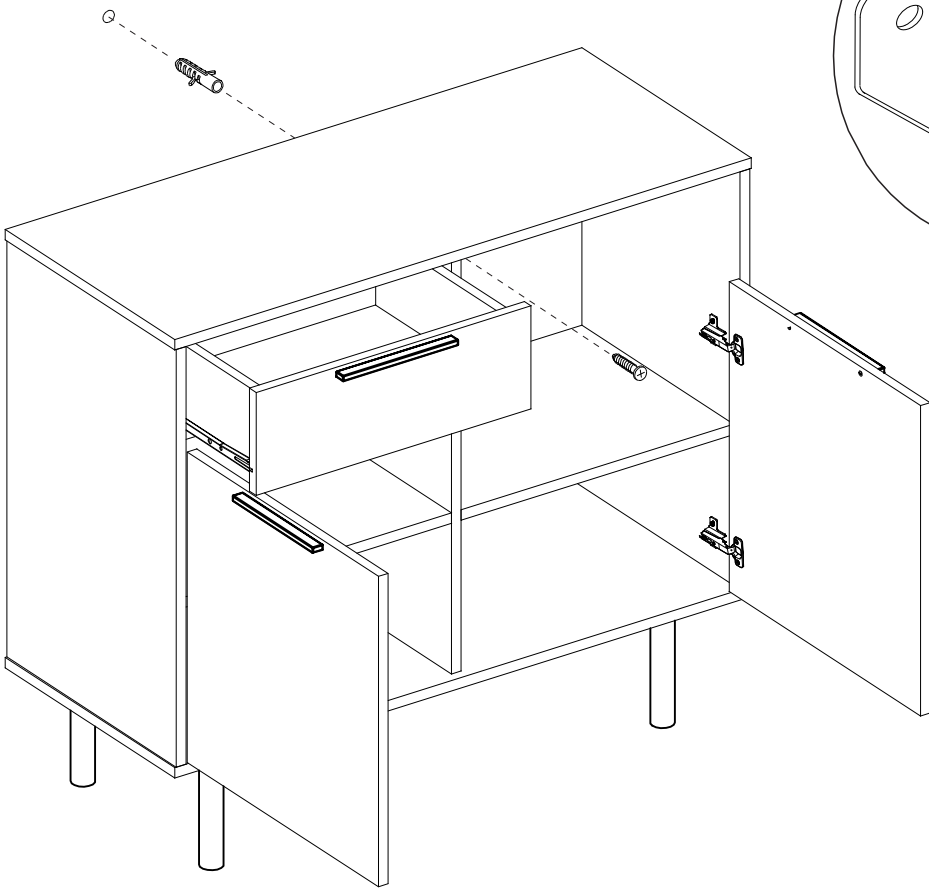
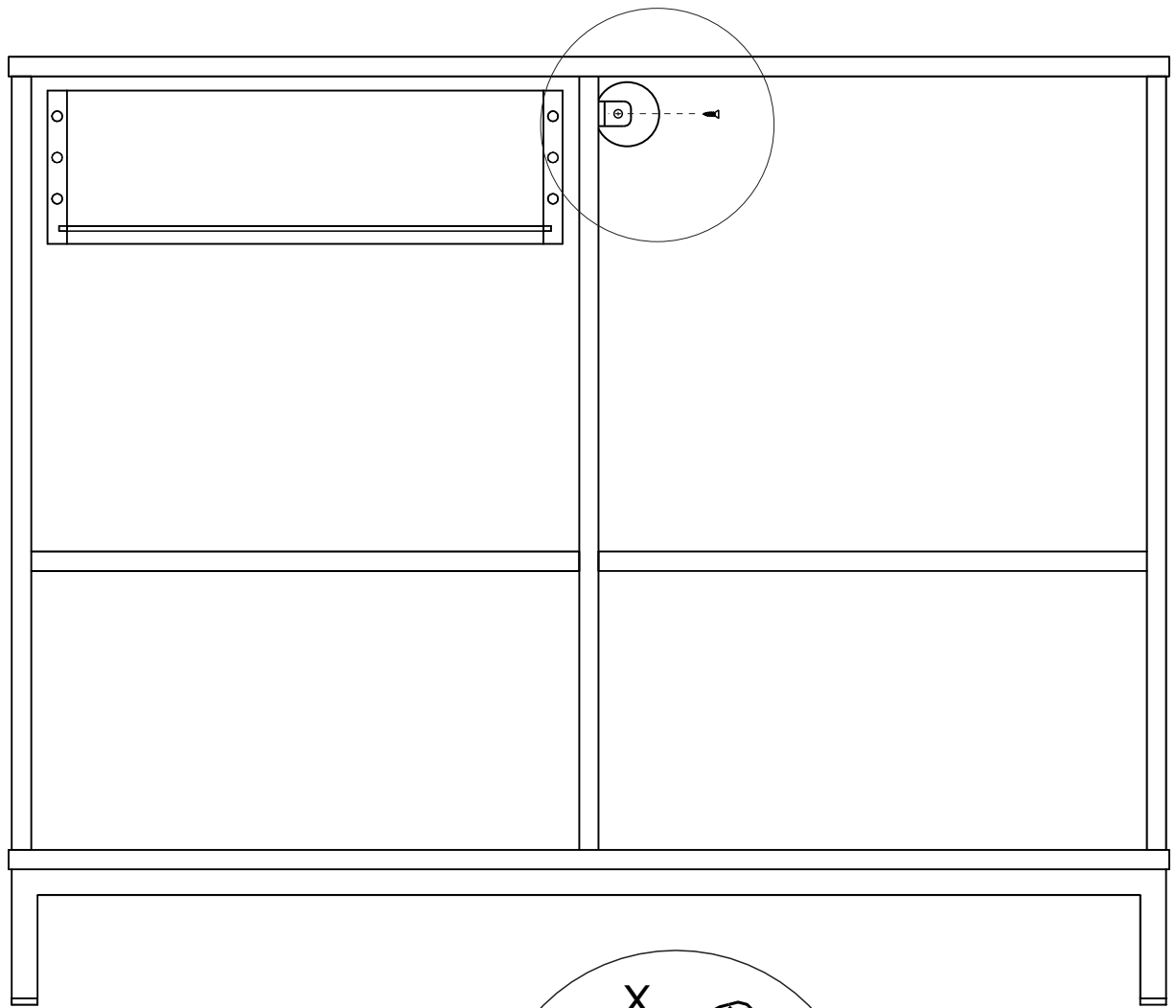


  
Z- x22

  
Y- x1



-   
U- x1
-   
V- x1
-   
W- x1
-   
X- x1





MANHATTAN  
COMFORT

---

## **WARRANTY POLICY**

All Manhattan Comfort furniture products are warranted, to the original purchaser at the time of purchase and for a period of 30 days thereafter.

Our warranty is limited to new products purchased in factory sealed cartons. This warranty is valid in the United States of America and Canada.

In order to provide you with timely assistance, please thoroughly inspect your furniture for missing or defective parts immediately after opening the carton.

Manhattan Comfort offers a 30-day parts replacement warranty on all items.

Our furniture products are not intended for outdoor use.

### **THE WARRANTY DOES NOT COVER:**

- Defects/damages by improper assembly or disassembly.
- Defects/damages caused by shipping. Claims for damage during transit should be placed immediately to the transportation company.
- Defects/damages caused by inappropriate use of the



319 Ridge Rd. Dayton, NJ 08810  
908-888-0818