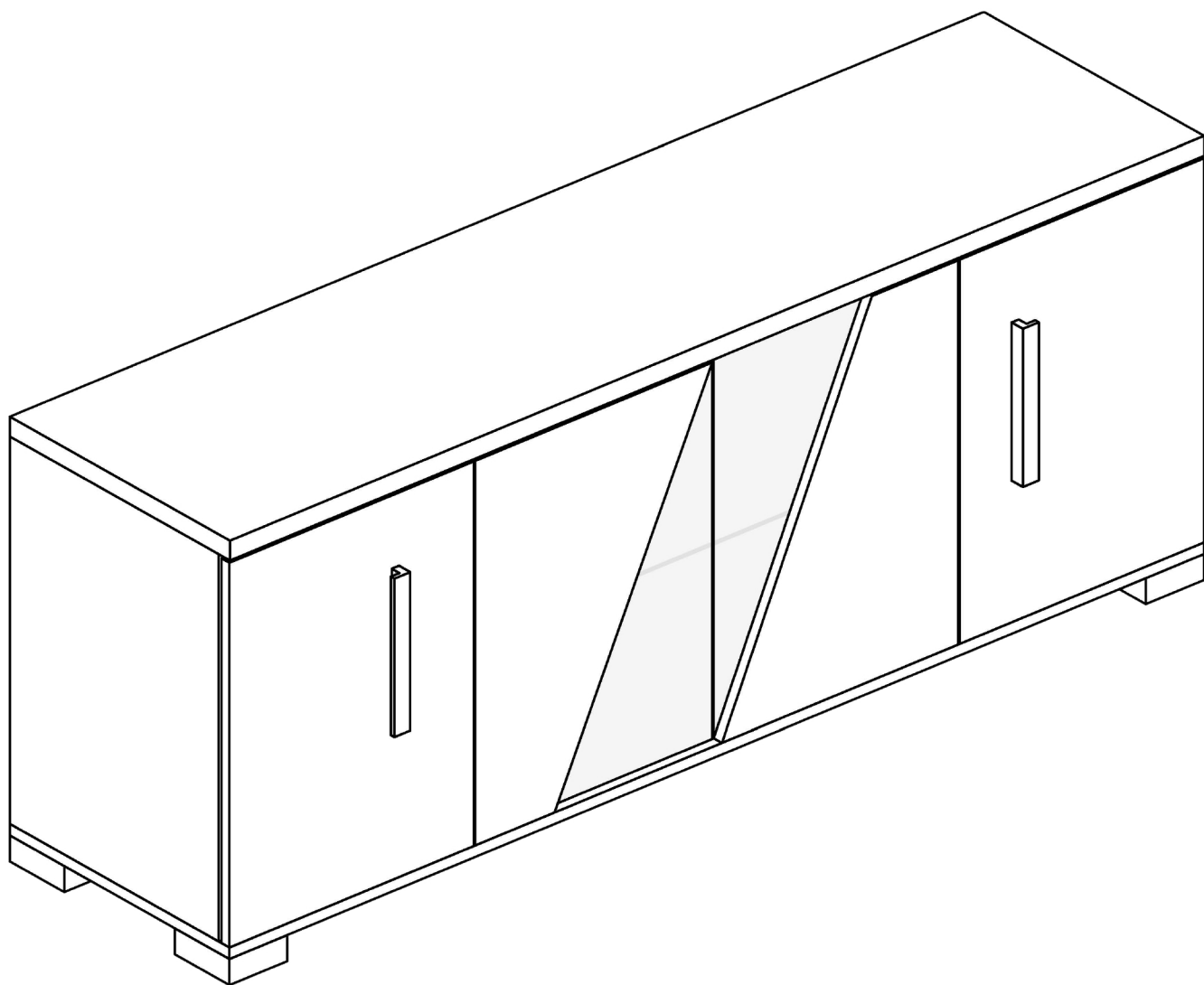


# RAIA

# 4D SERVER

***BUFFET 4/P***

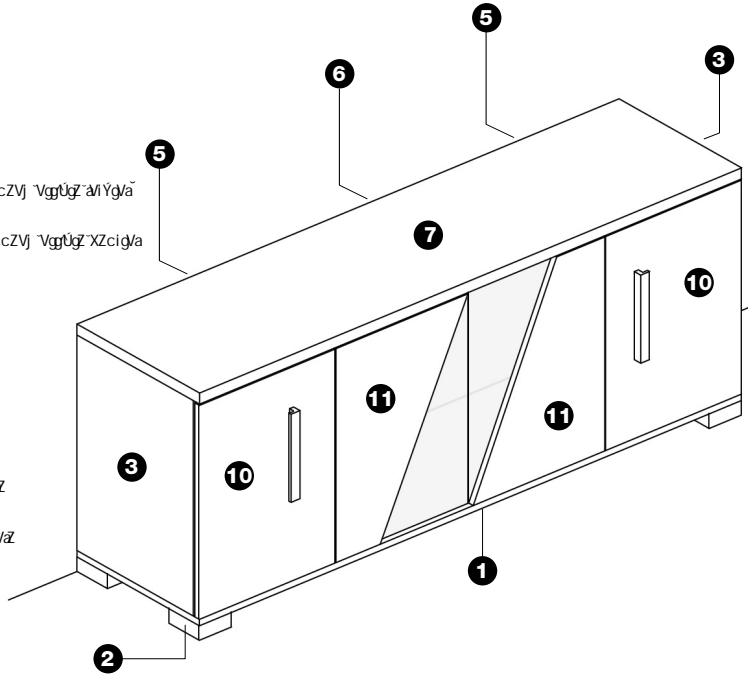


**STATUS**<sup>®</sup>  
Italian status symbol

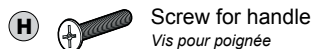
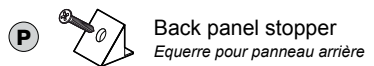
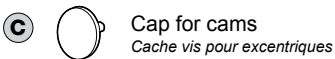
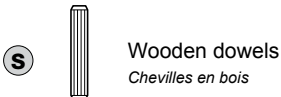


## LEGEND

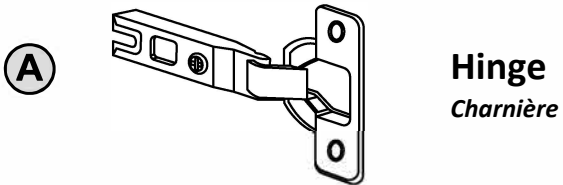
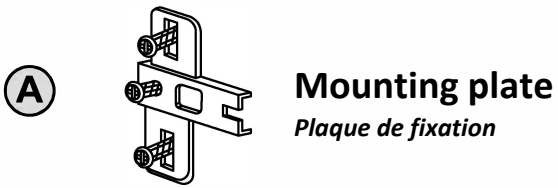
- 1** Bottom
- 2** Feet
- 3** Lateral side
- 4** Central side
- 5** Lateral back panel
- 6** Central back panel
- 7** Top
- 8** Lateral glass shelf
- 9** Central glass shelf
- 10** Lateral Door
- 11** Central Door
- 12** Handle



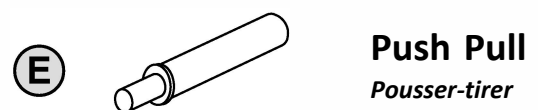
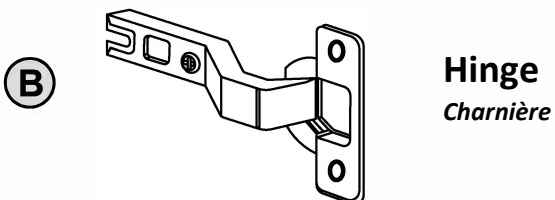
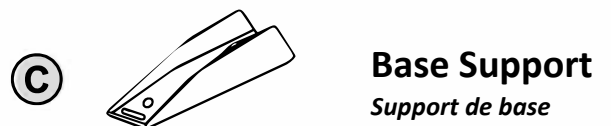
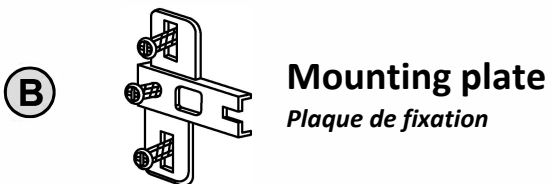
## FITTING CHECK LIST



**FOR SIDE /POUR COTÉS**

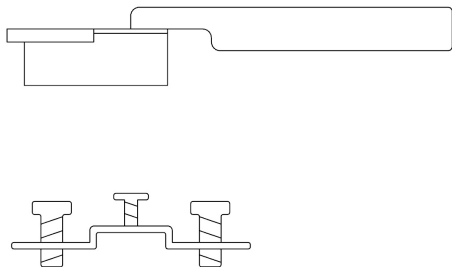
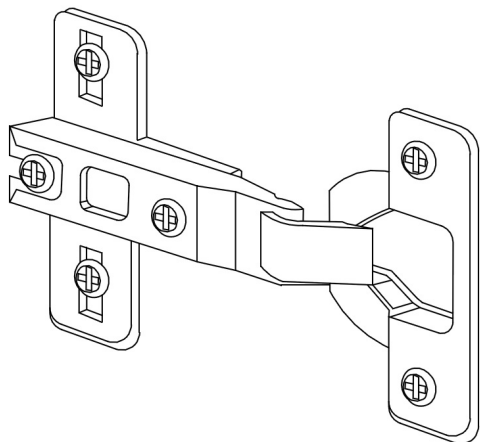


**FOR DIVISION /POUR DIVISION**

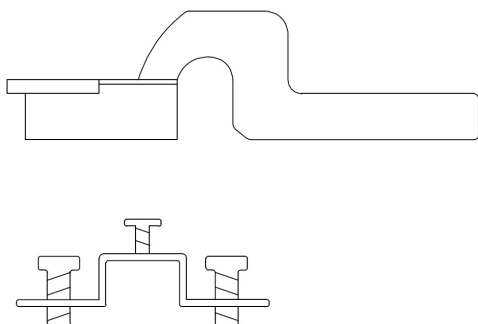
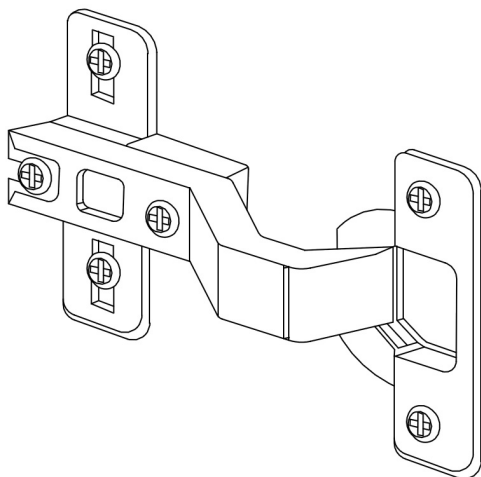


# HINGES / CHARNIÈRE

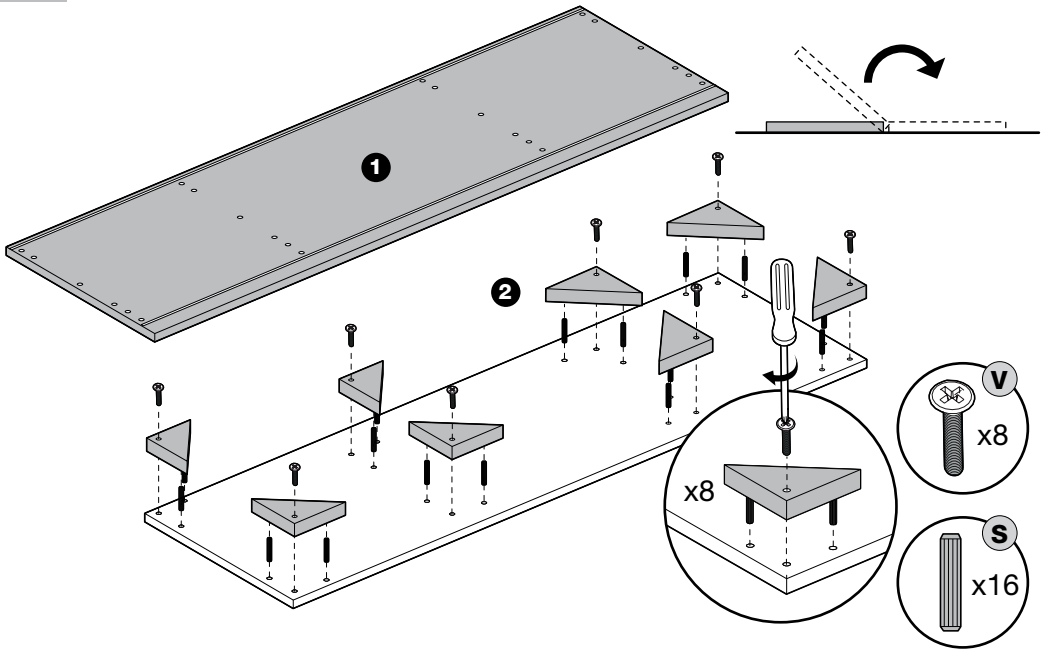
## A Lateral Hinge / Charnière latérale



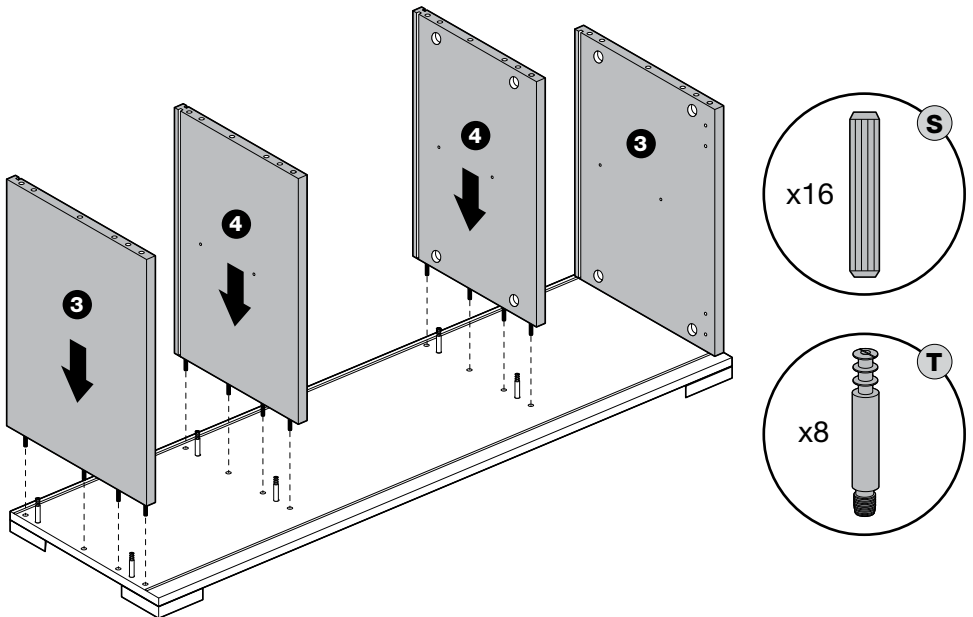
## B Central Hinge / Charnière centrale



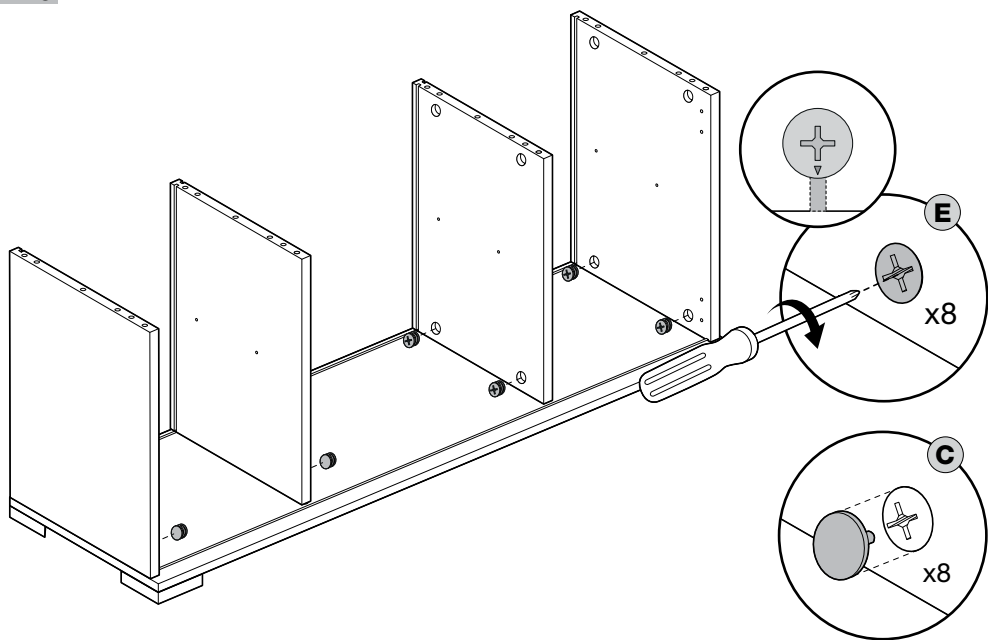
1



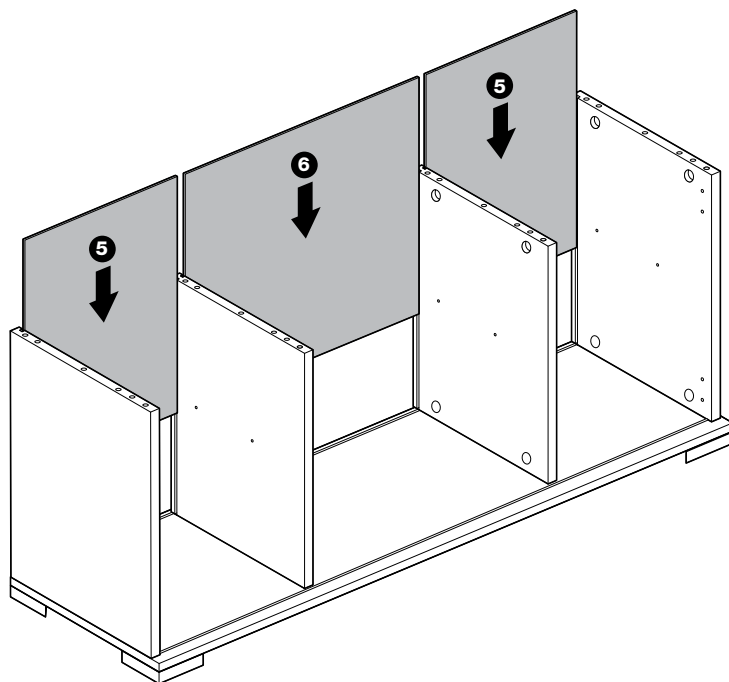
2



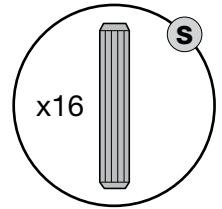
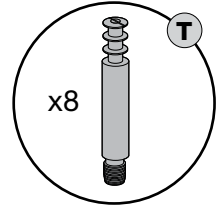
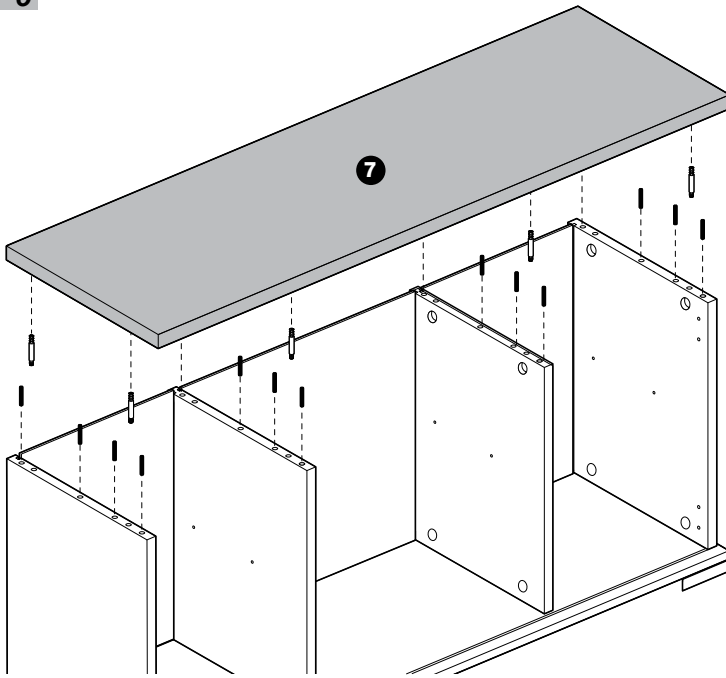
3



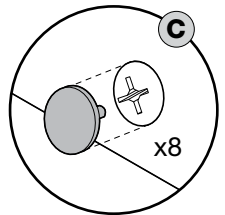
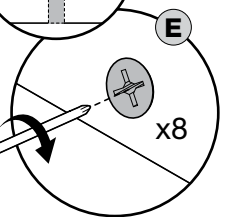
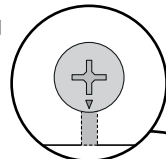
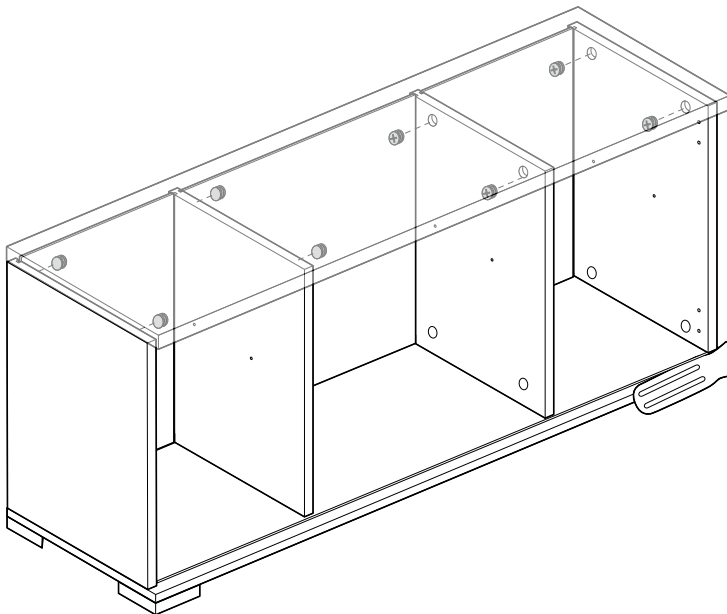
4



5

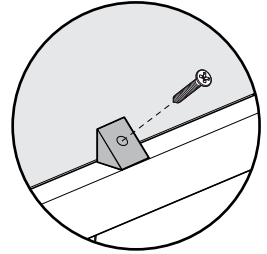
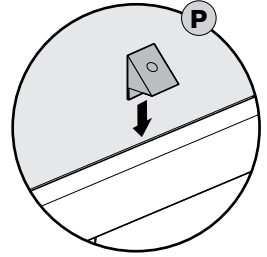
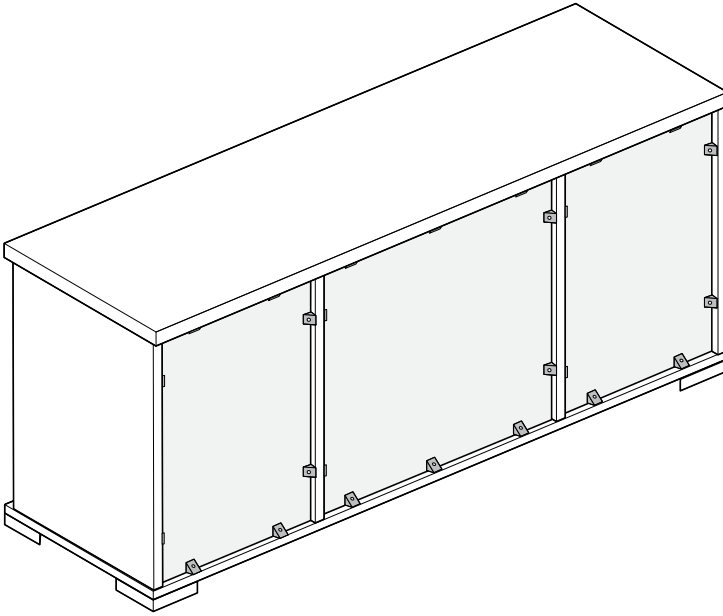


6

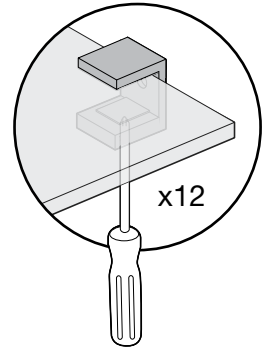
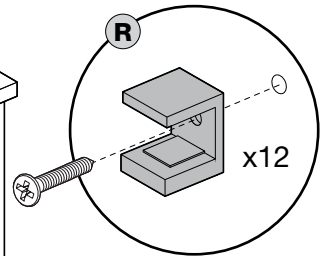
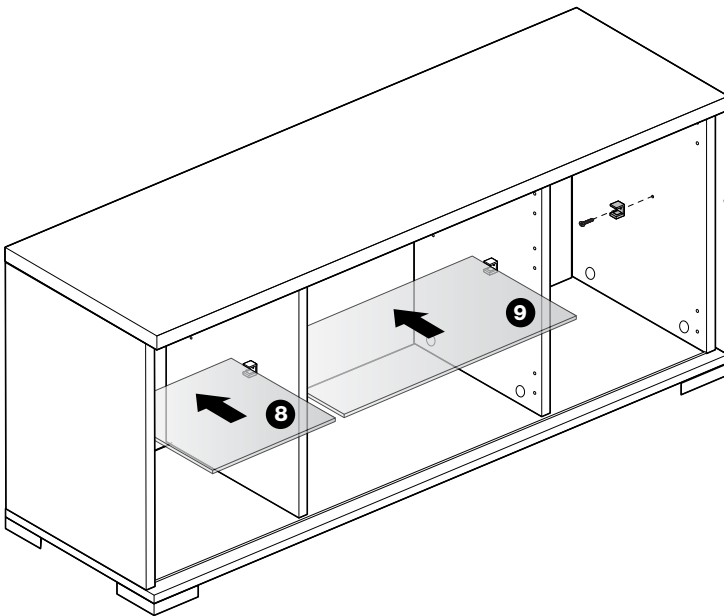


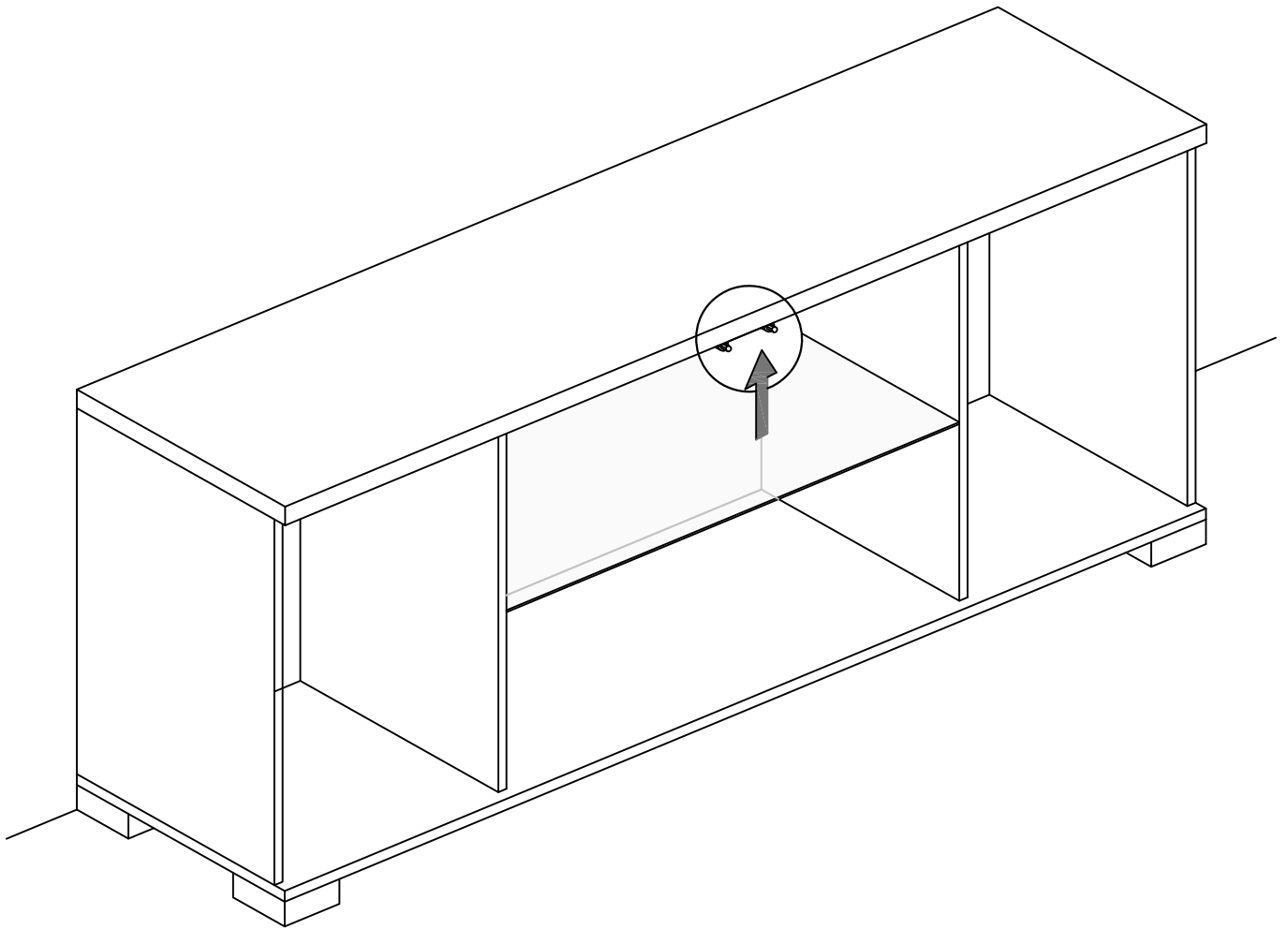
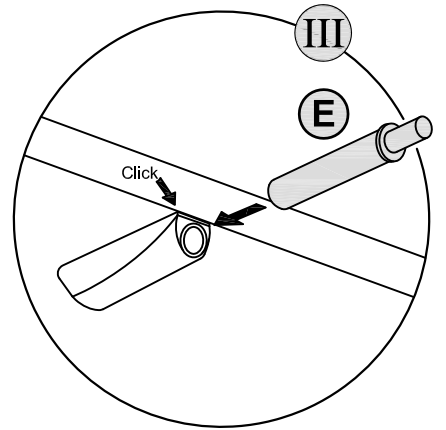
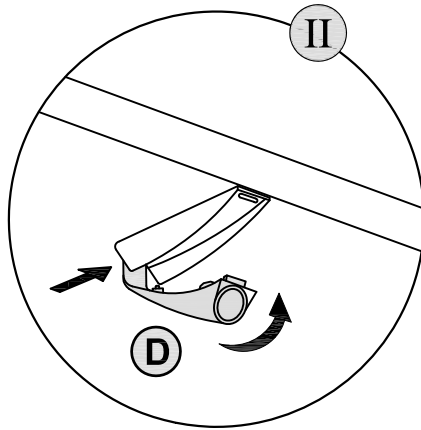
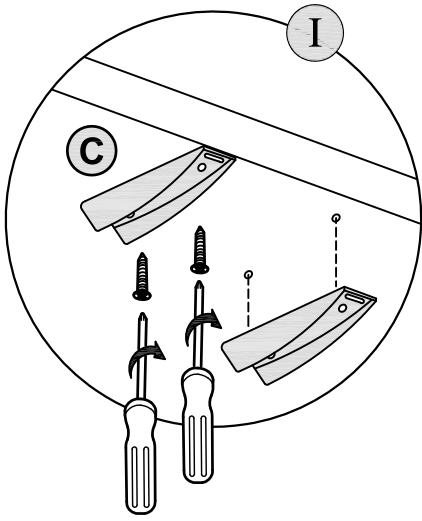


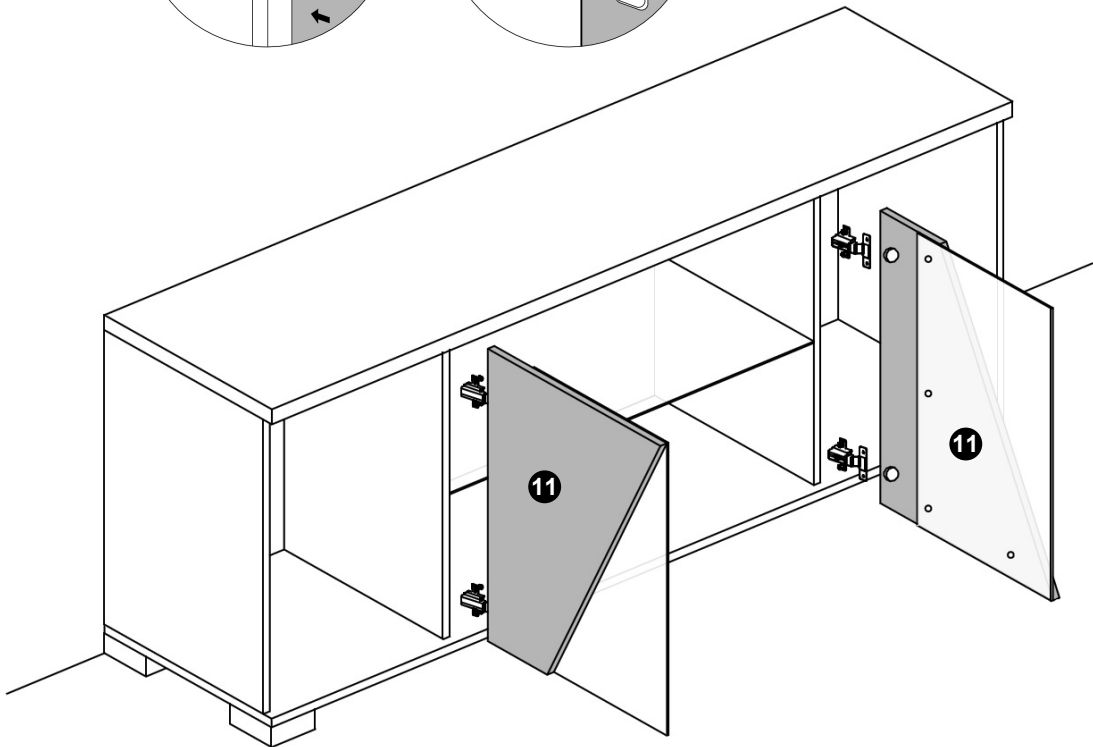
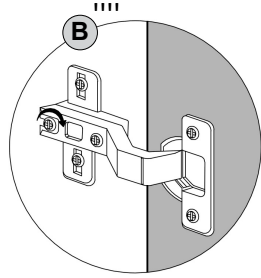
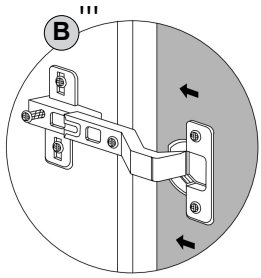
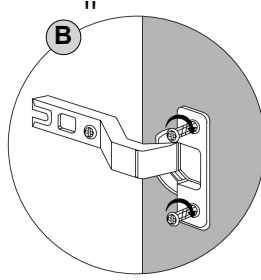
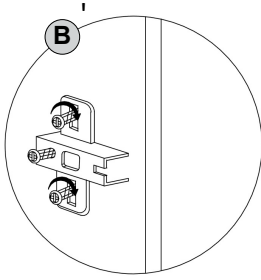
7

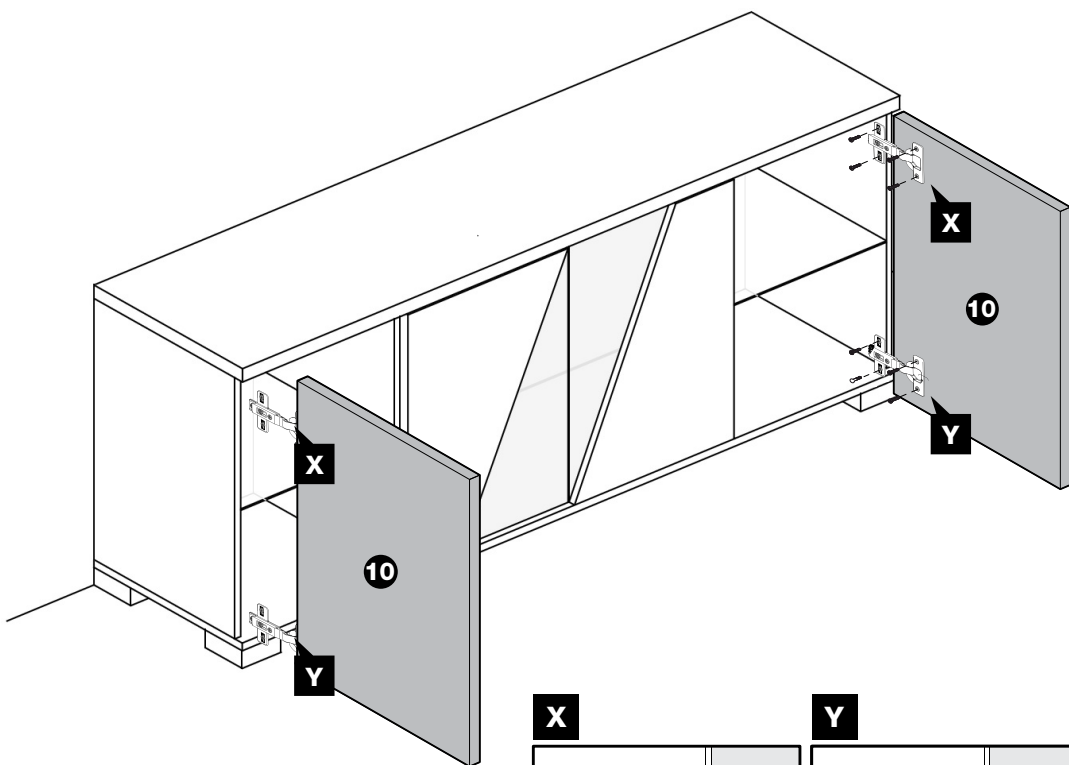
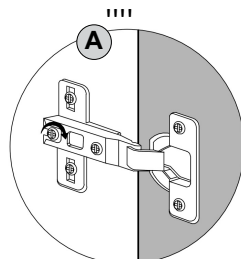
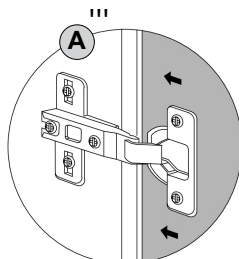
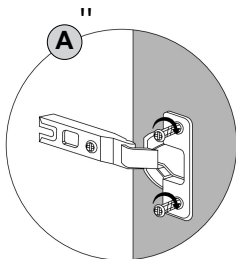
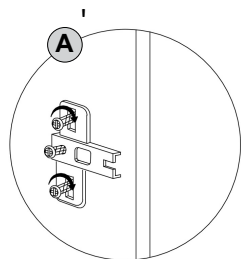
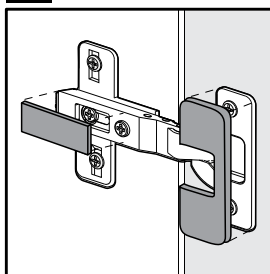
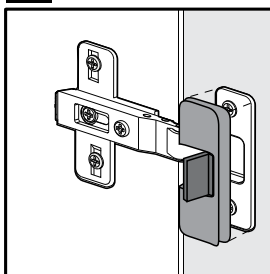


8

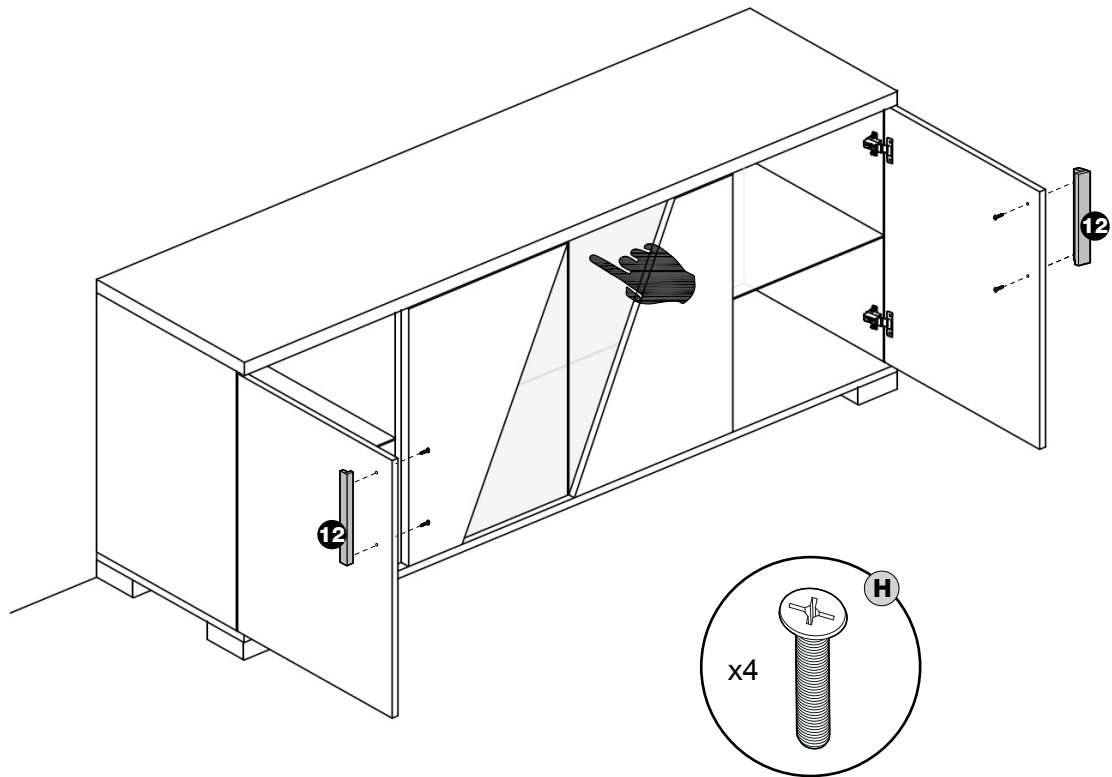


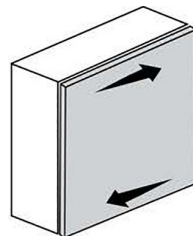
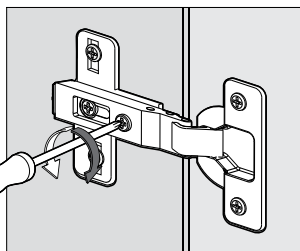
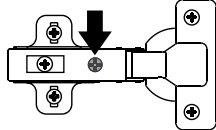
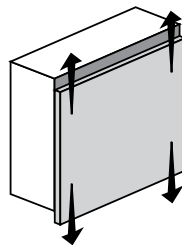
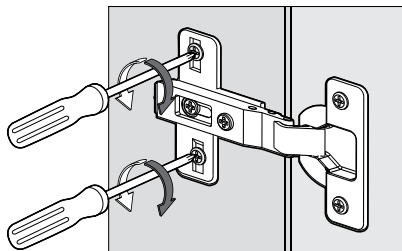
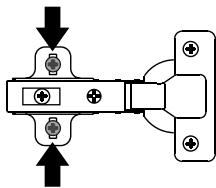




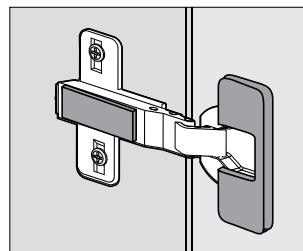
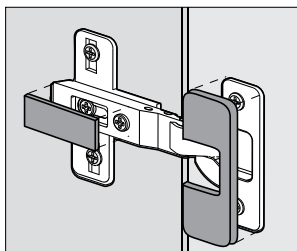
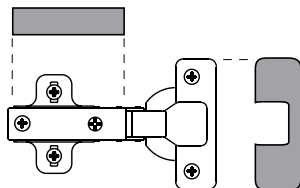
**X****Y**

**PUSH PULL SYSTEM CENTRAL DOOR**  
**SYSTÈME PUSH-PULL PORTE CENTRALE**

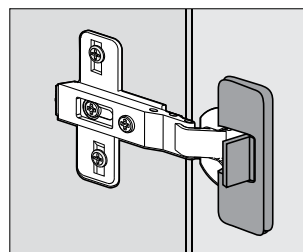
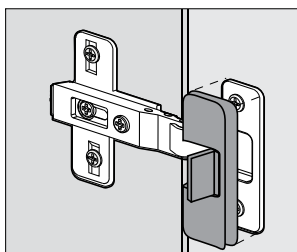
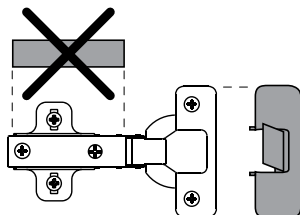




**X**



**Y**





# STATUS<sup>®</sup>

Italian status symbol


Designed and Produced in Italy.

*Conçu et produit en Italie.*

**Thank you** for choosing our products.

*Merci d'avoir choisi nos produits.*



 VIA DELLE INDUSTRIE 6/A - 31018 GAIARINE (TV) – ITALY



info@statusitaly.it



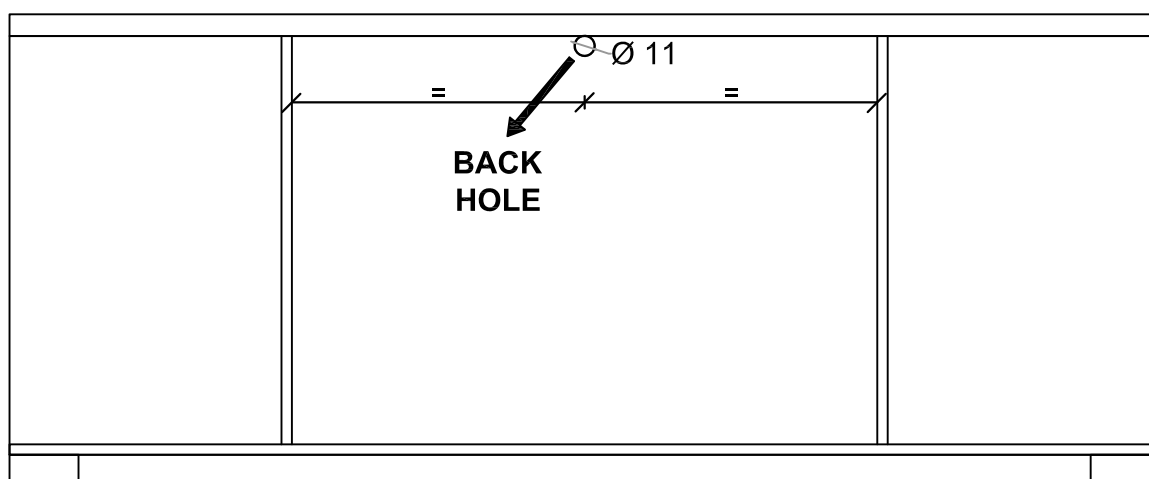
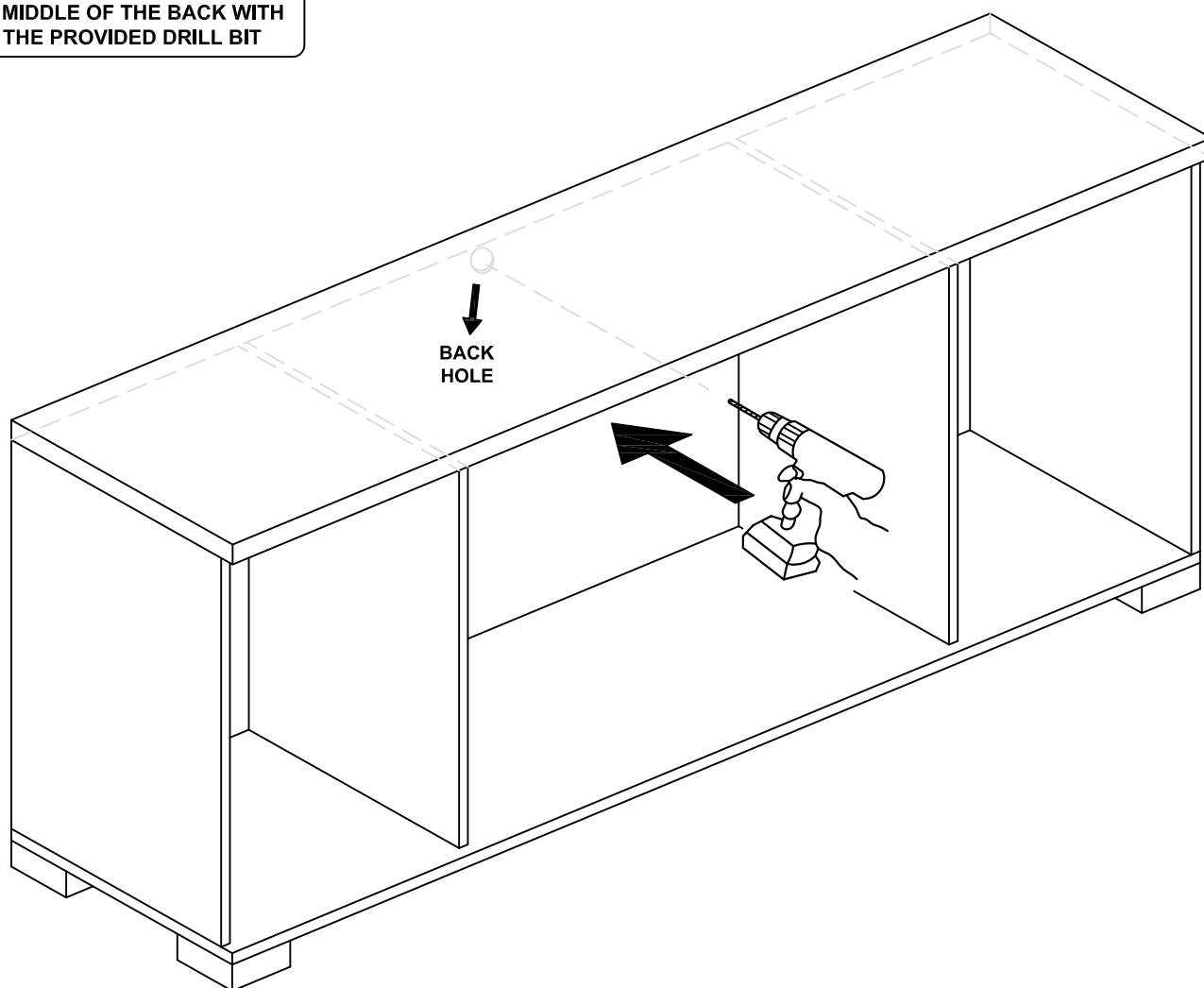
+ 39 0434 75195



**ATTENTION: PLEASE SCREW THE LED BEFORE FITTING THE GLASS SHELVES**

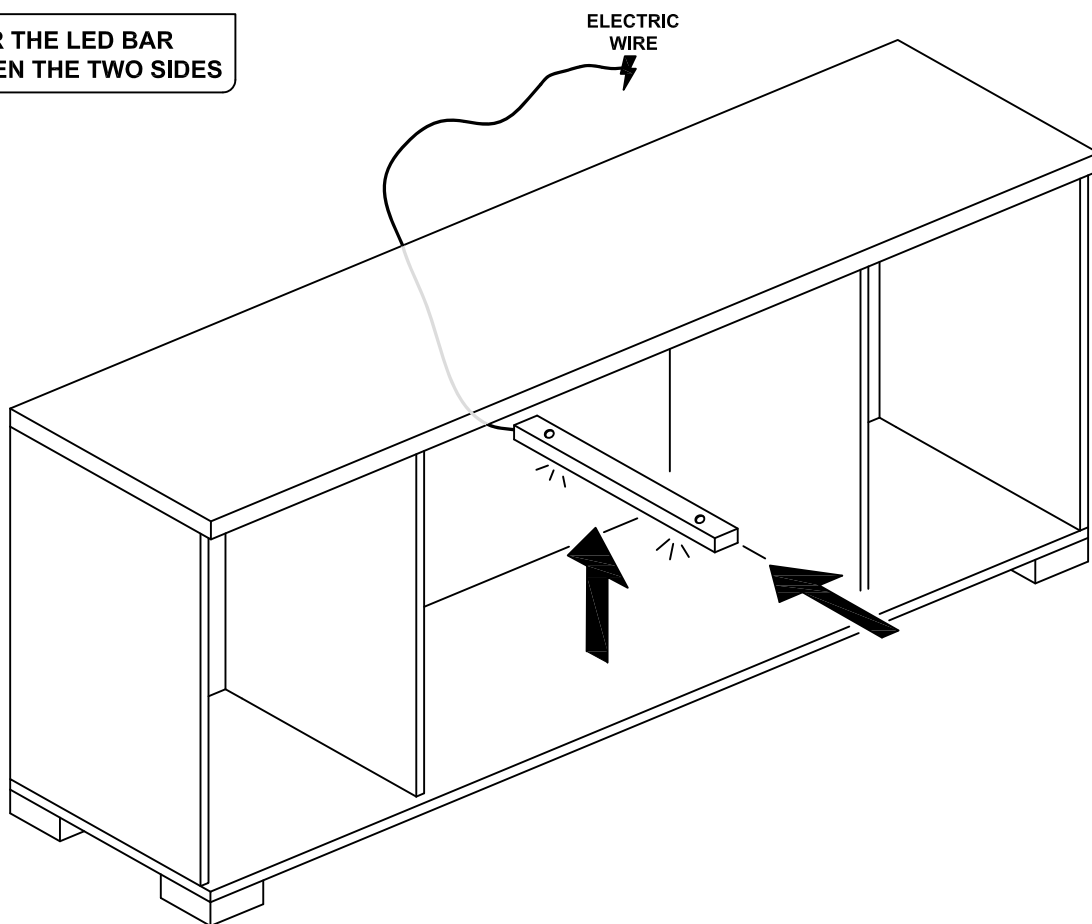
**1**

DRILL A HOLE IN THE  
MIDDLE OF THE BACK WITH  
THE PROVIDED DRILL BIT



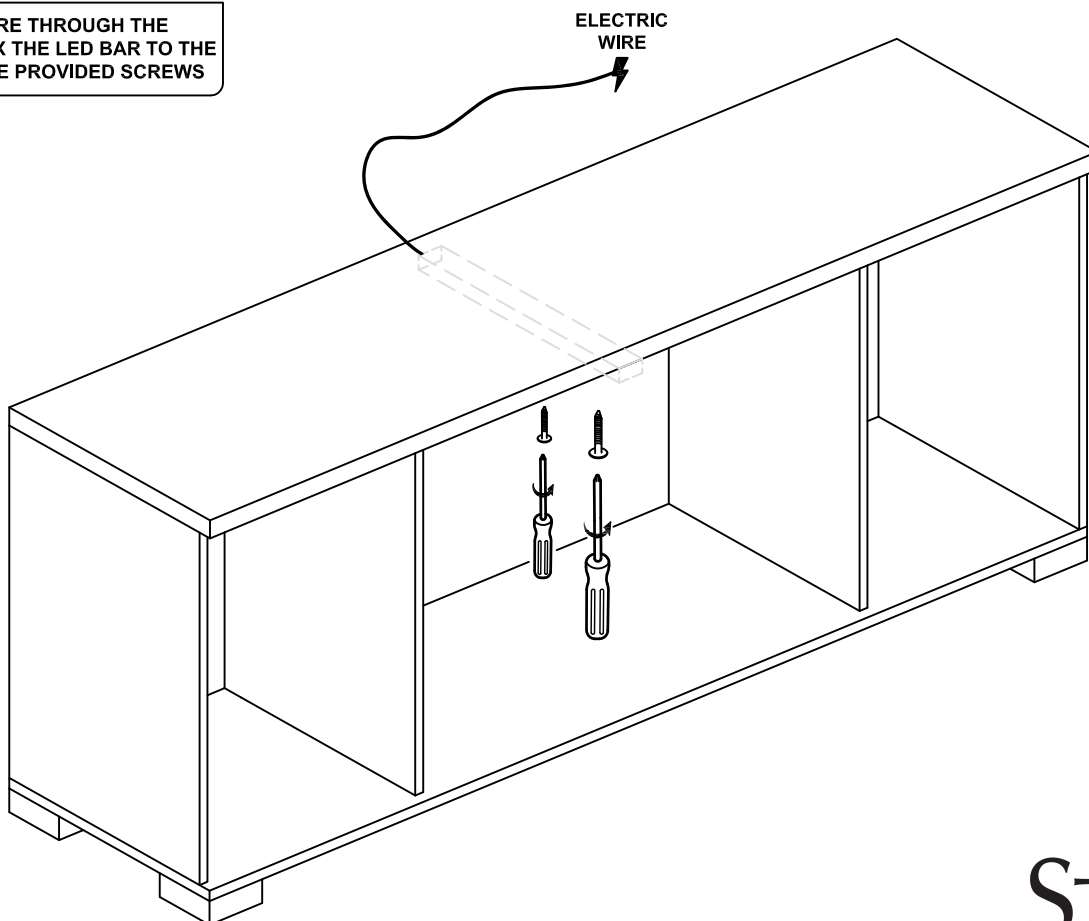
CENTER THE LED BAR  
BETWEEN THE TWO SIDES

2



PASS THE WIRE THROUGH THE  
HOLE AND FIX THE LED BAR TO THE  
TOP WITH THE PROVIDED SCREWS

3



**STATUS**  
Italian status symbol

100% made in Italy