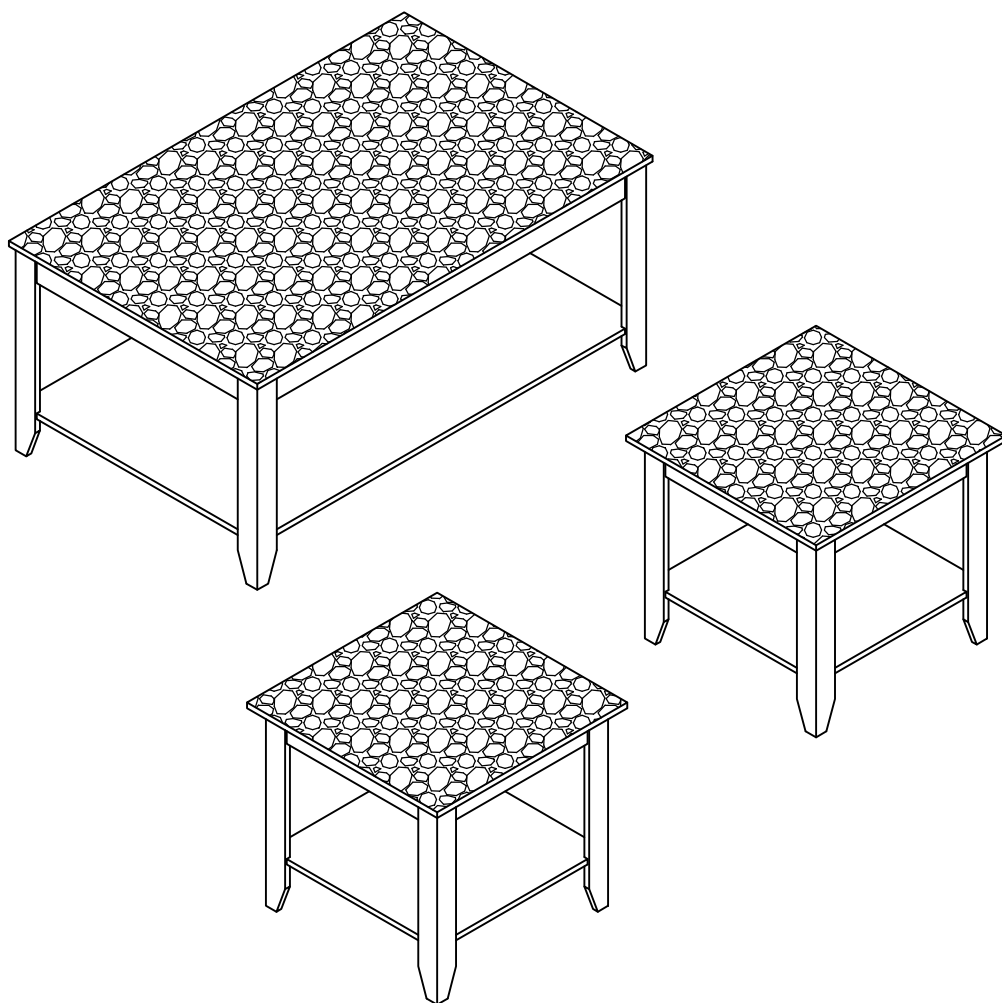


ASSEMBLY INSTRUCTIONS /  
INSTRUCTIONS D'ASSEMBLAGE

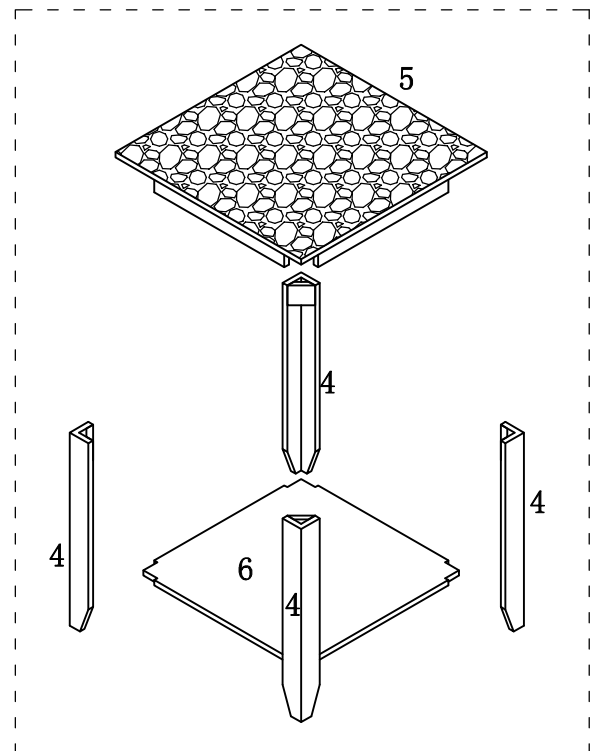
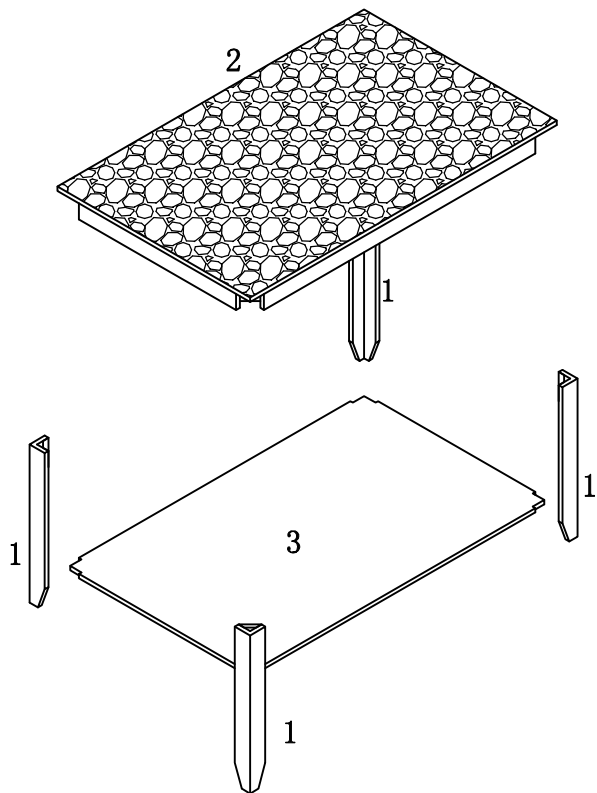
---

ITEM NO/NO ARTICLE:ROMA3PK/14956-X3



# PARTS IDENTIFICATIONS / IDENTIFICATION DES PIECES

ITEM NO/NO ARTICLE:ROMA3PK/14956-X3





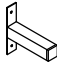





x2

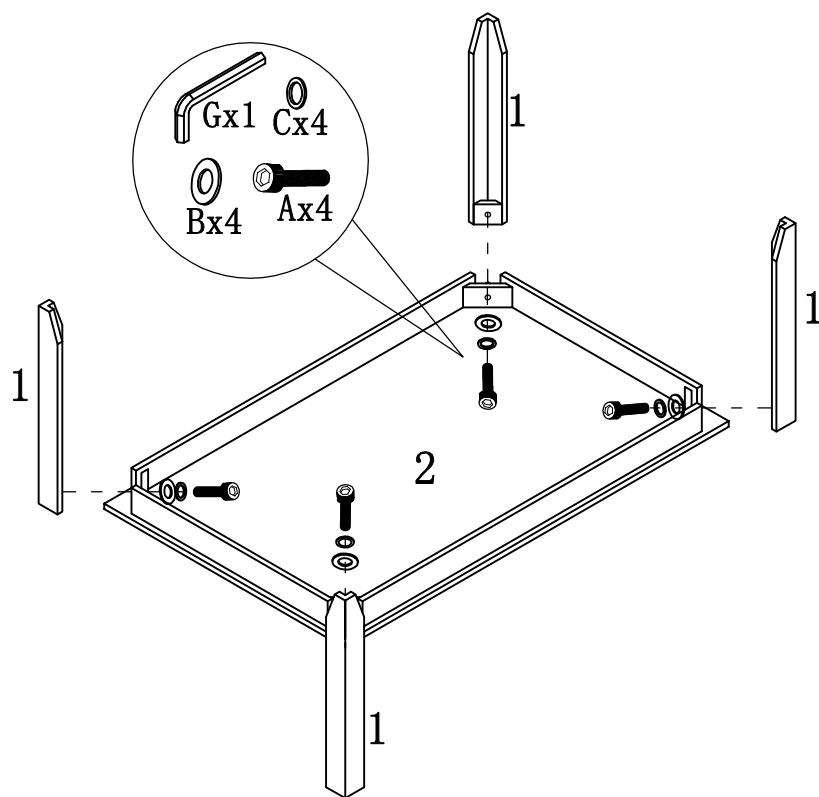
- (1) 4pcs/pces
- (2) 1pc/pce
- (3) 1pc/pce
- (4) 8pcs/pces
- (5) 2pcs/pces
- (6) 2pcs/pces

HARDWARE IDENTIFICATIONS/  
IDENTIFICATION DU KIT D'ASSEMBLAGE

ITEM NO/NO ARTICLE:ROMA3PK/14956-X3

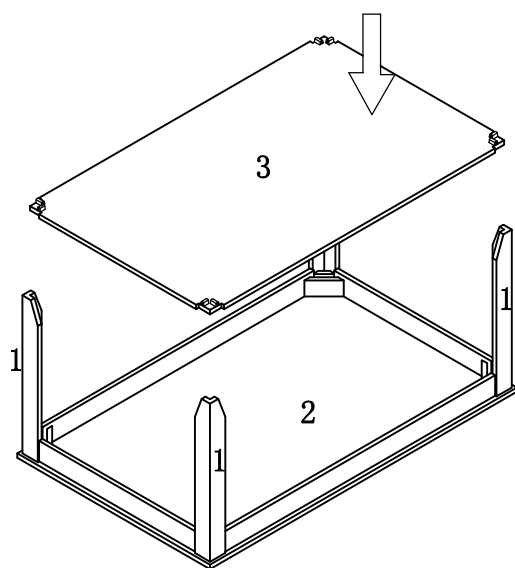
A		ø8x50	12pcs/pces
B		ø16x2	12pcs/pces
C			12pcs/pces
D		ø4x25	24pcs/pces
E		80x25x108	1pc/pce
F		ø4x12	2pcs/pces
G		M5	1pc/pce
H		ø16	12pcs/pces

# ITEM NO/NO ARTICLE:ROMA3PK/14956-X3

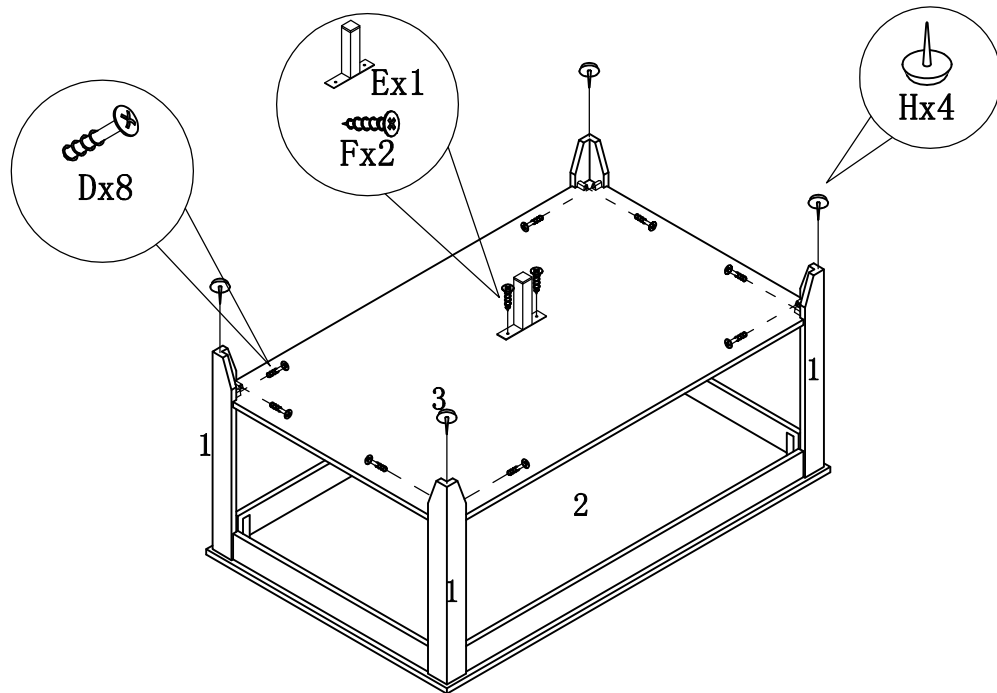


STEP 1 / ETAPE 1

STEP 2 / ETAPE 2

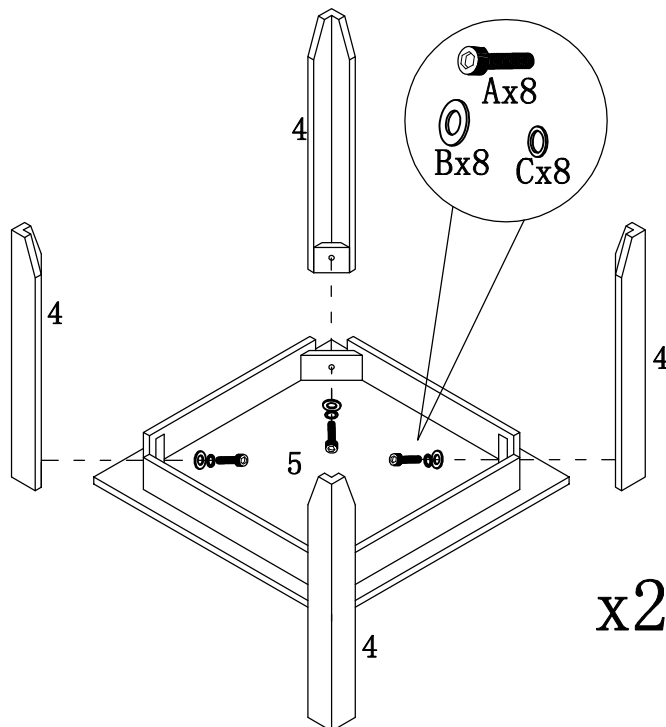


# ITEM NO/NO ARTICLE:ROMA3PK/14956-X3



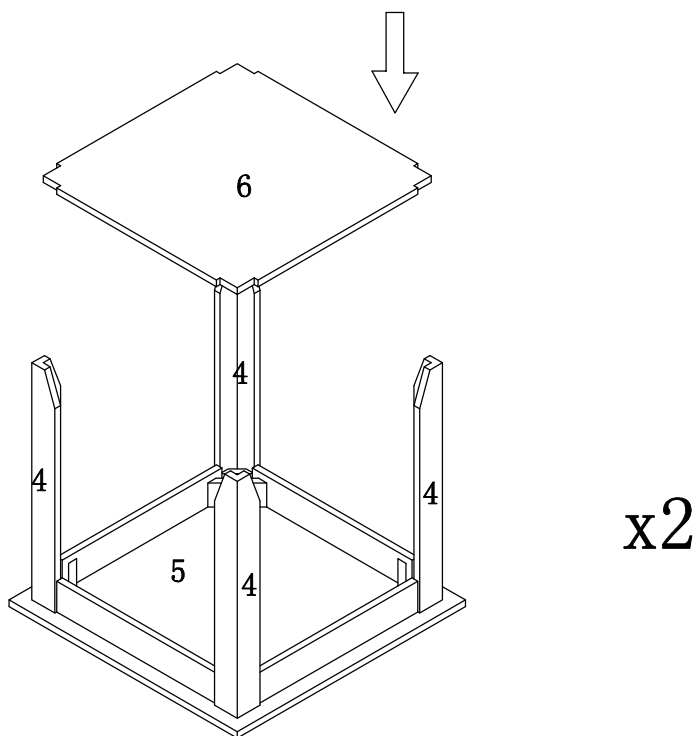
STEP 3 / ETAPE 3

STEP 4 / ETAPE 4



ITEM NO/NO ARTICLE:ROMA3PK/14956-X3

---



STEP 5 / ETAPE 5

STEP 6 / ETAPE 6

