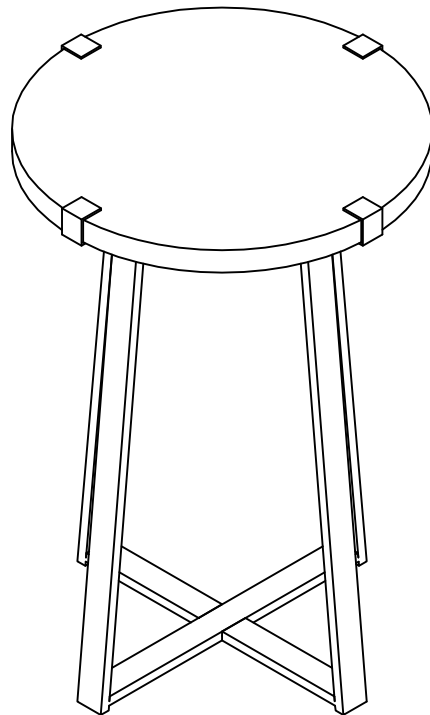


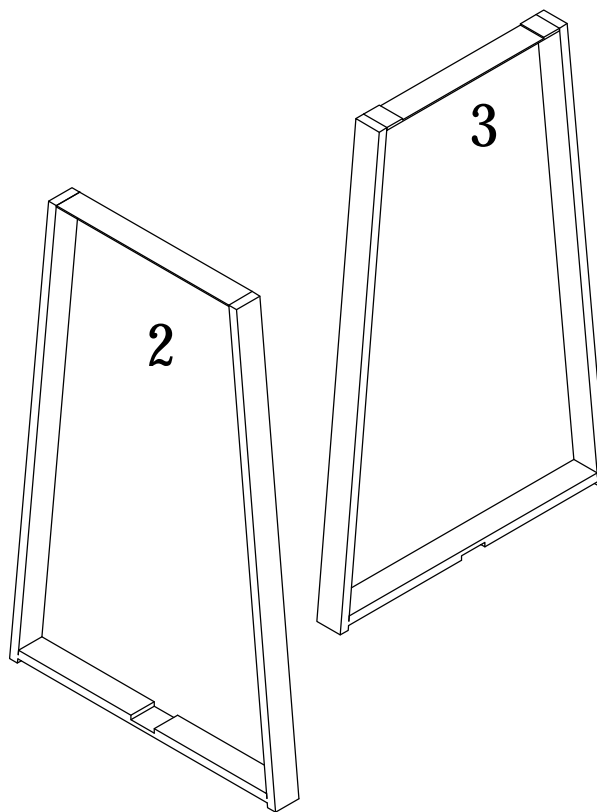
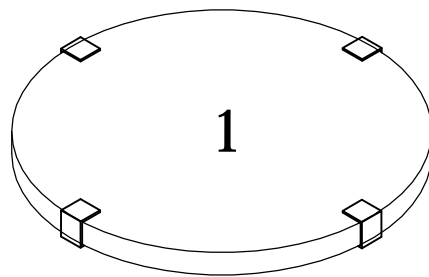
ASSEMBLY INSTRUCTIONS / INSTRUCTIONS D'ASSEMBLAGE

ITEM NO/NO HARVYETB: PAUHZCST/223106



PARTS IDENTIFICATIONS / IDENTIFICATION DES PIECES

ITEM NO/NO HARVYETB: PAUHZCST/223106



- (1) 1pc/pce
- (2) 1pc/pce
- (3) 1pc/pce

HARDWARE IDENTIFICATIONS/
IDENTIFICATION DU KIT D'ASSEMBLAGE

ITEM NO/NO HARVYETB: PAUHZCST/223106

A



ϕ 3.5 x 16

4pcs/pces

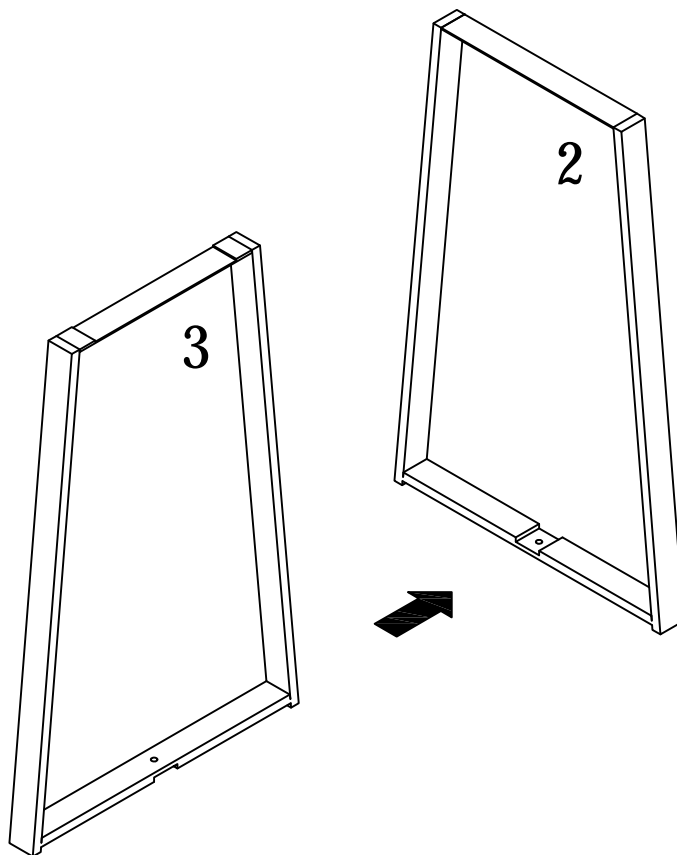
B



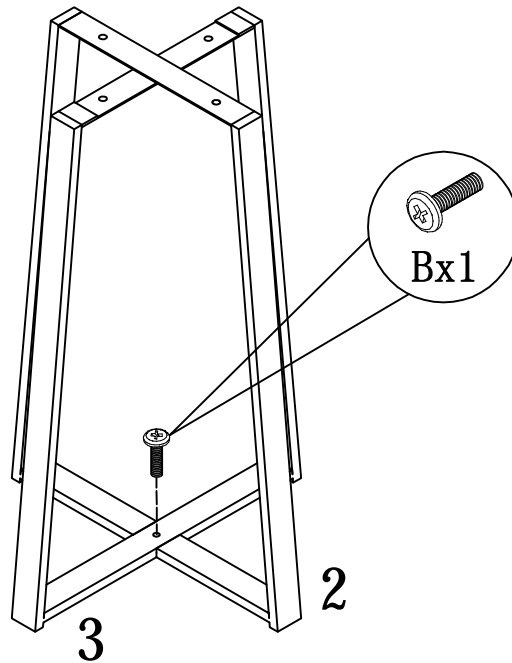
ϕ 6 x 12

1pc/pce

STEP 1 / ETAPE 1

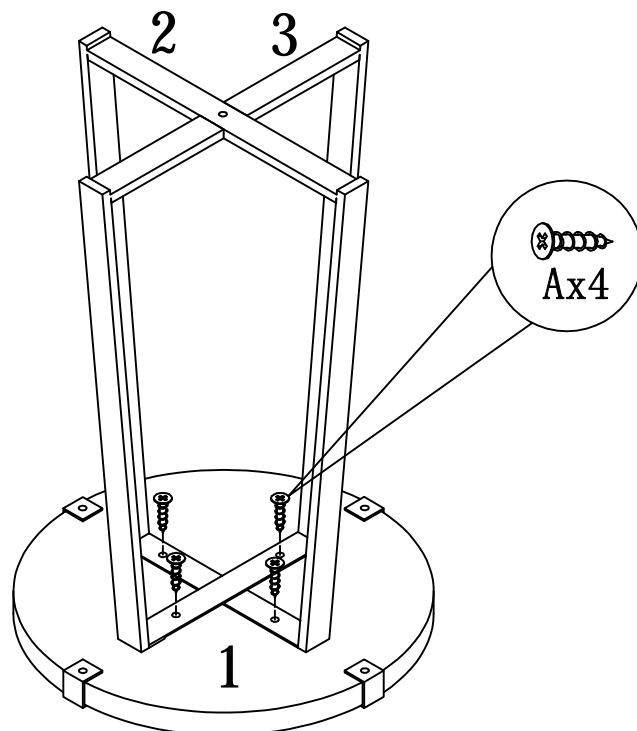


ITEM NO/NO HARVYETB: PAUHZCST/223106



STEP 1 / ETAPE 1

STEP 2 / ETAPE 2



TOOLS REQUIRED (NOT INCLUDED)
OUTILS REQUIS (NON COMPRIS)