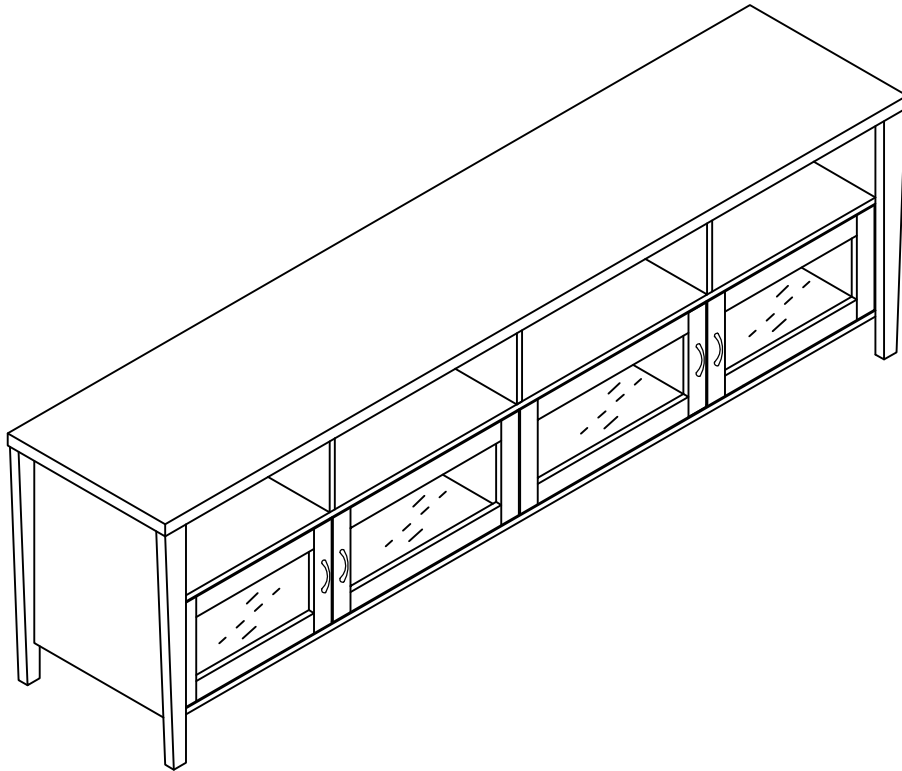


ASSEMBLY INSTRUCTIONS /  
INSTRUCTIONS D'ASSEMBLAGE

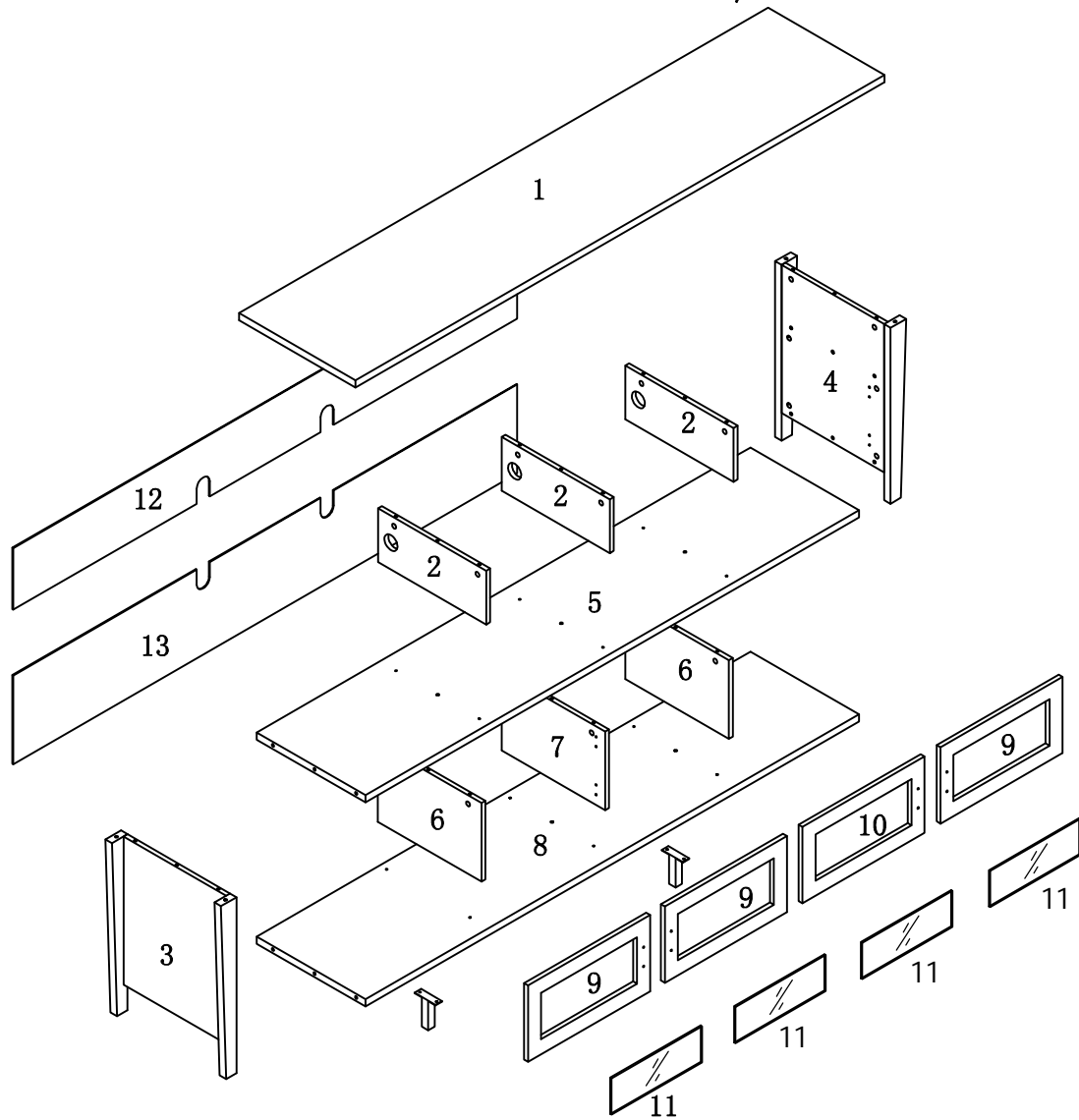
---

ITEM NO/NO ARTICLE: PAL80TV/29261-80  
PAL72TV/29261-72



# PARTS IDENTIFICATIONS / IDENTIFICATION DES PIECES




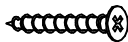
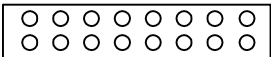
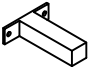



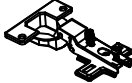
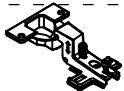




ITEM NO/NO ARTICLE: PAL80TV/29261-80  
PAL72TV/29261-72



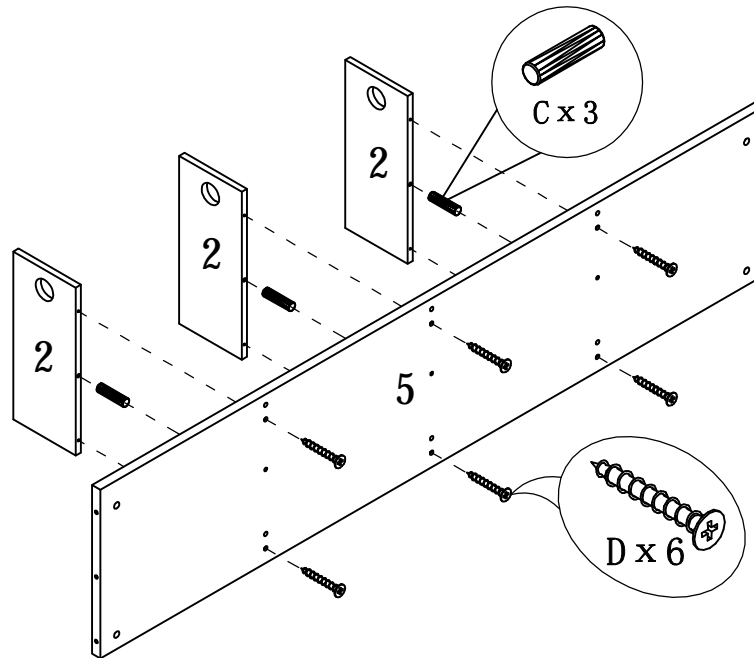
(1)	1pc/pce	(7)	1pc/pce	(13)	1pc/pce
(2)	3pcs/pces	(8)	1pc/pce		
(3)	1pc/pce	(9)	3pcs/pces		
(4)	1pc/pce	(10)	1pc/pce		
(5)	1pc/pces	(11)	4pcs/pces		
(6)	2pcs/pces	(12)	1pc/pce		

# HARDWARE IDENTIFICATIONS/ IDENTIFICATION DU KIT D'ASSEMBLAGE

ITEM NO/NO ARTICLE: PAL80TV/29261-80  
PAL72TV/29261-72

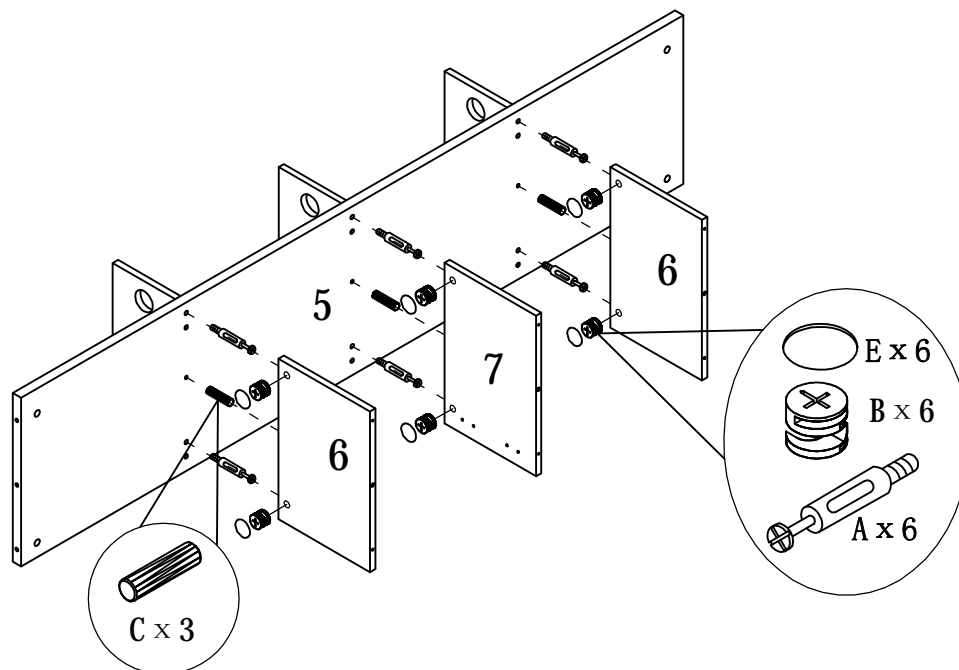
A		ø8 x 29	24pcs/pces
B		ø15	24pcs/pces
C		ø8 x 25	22pcs/pces
D		ø4 x 30	6pcs/pces
E		ø18	16pcs/pces
F		80 x 25 x 97	2pcs/pces
G			50pcs/pces
H		64#	4pcs/pces
I		ø4 x 22	8pcs/pces
J		301B	4pcs/pces
K		301A	4pcs/pces
L		ø4x16	32pcs/pces
M		ø6x12	4pcs/pces
N		ø16	4pcs/pces
O			1pc/pce

ITEM NO/NO ARTICLE: PAL80TV/29261-80  
PAL72TV/29261-72

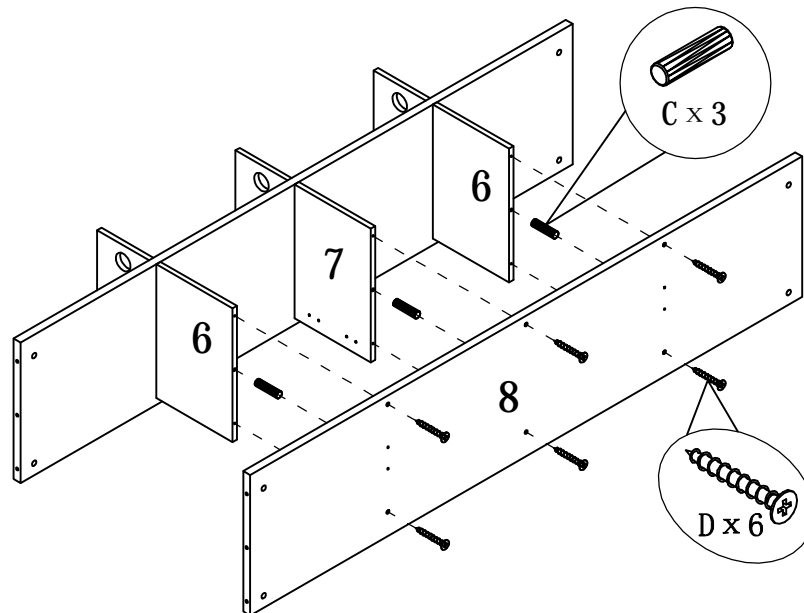


STEP 1 / ETAPE 1

STEP 2 / ETAPE 2

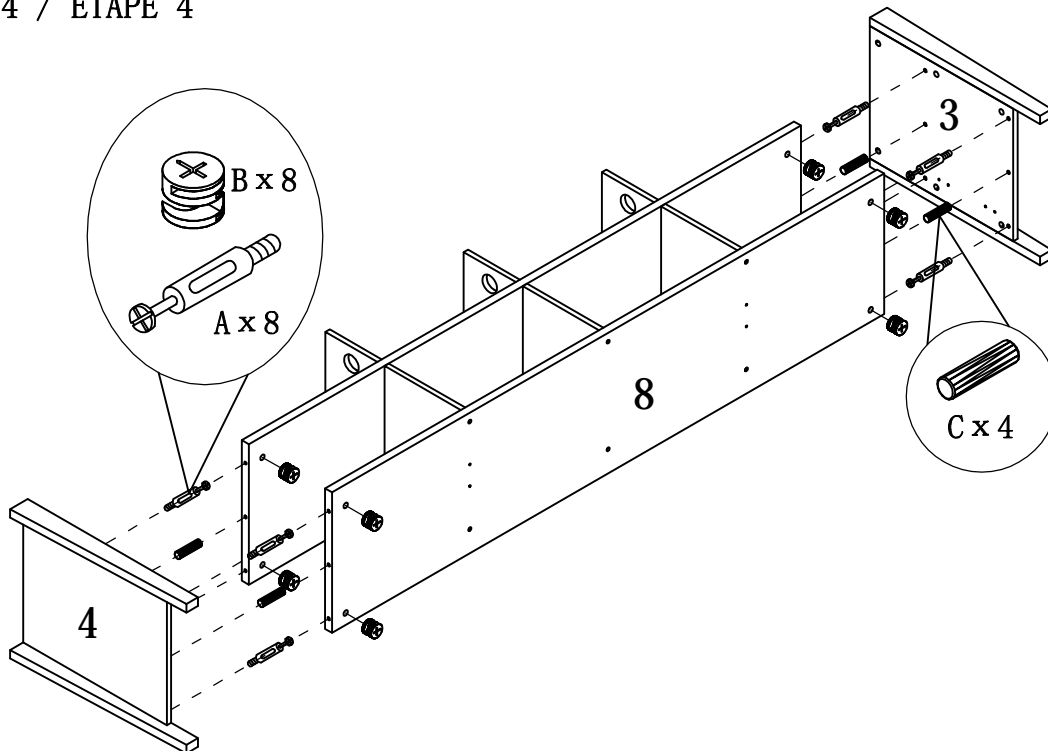


ITEM NO/NO ARTICLE: PAL80TV/29261-80  
PAL72TV/29261-72

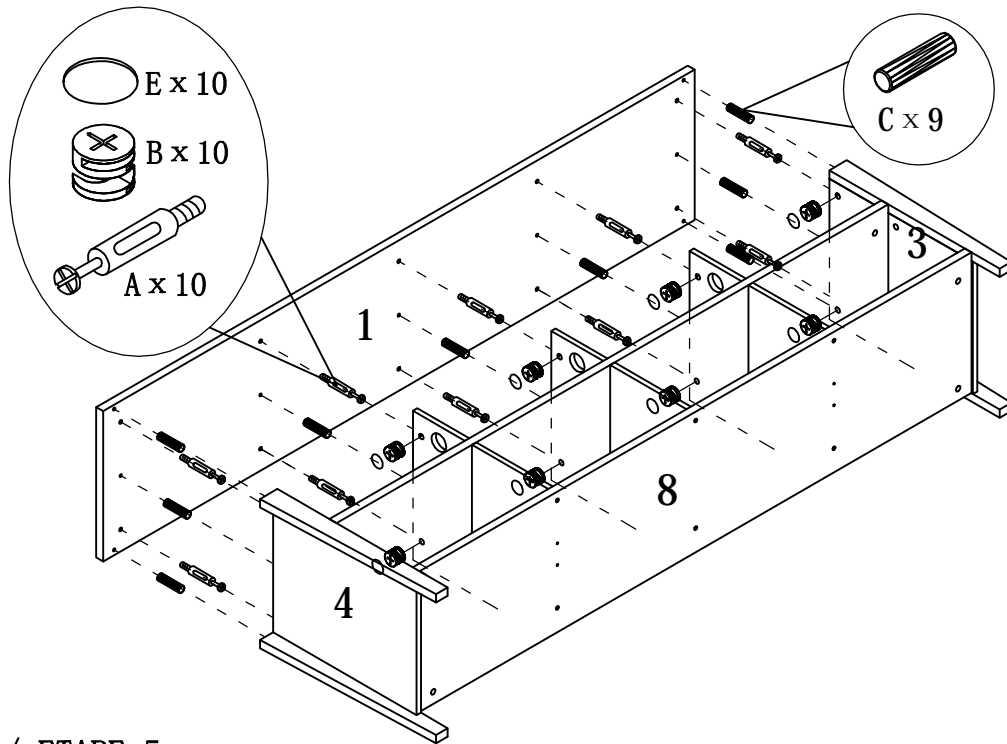


STEP 3 / ETAPE 3

STEP 4 / ETAPE 4

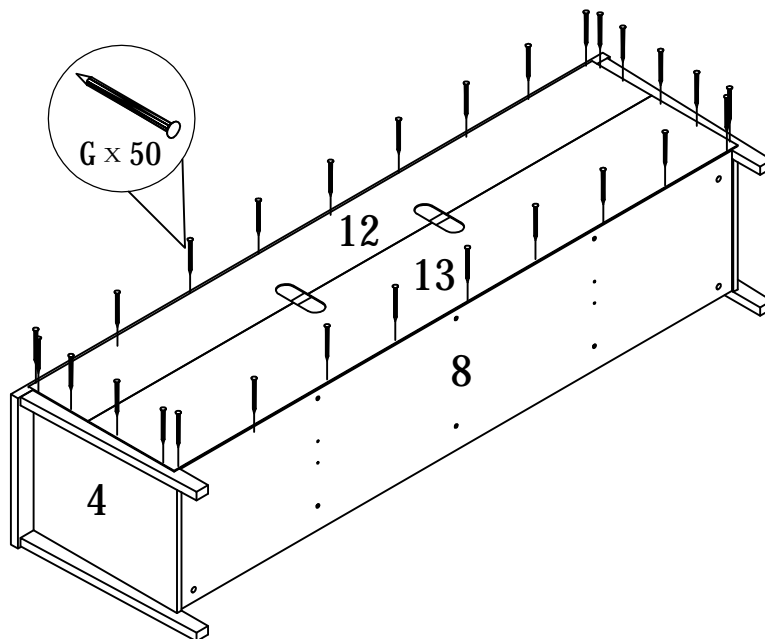


ITEM NO/NO ARTICLE: PAL80TV/29261-80  
PAL72TV/29261-72

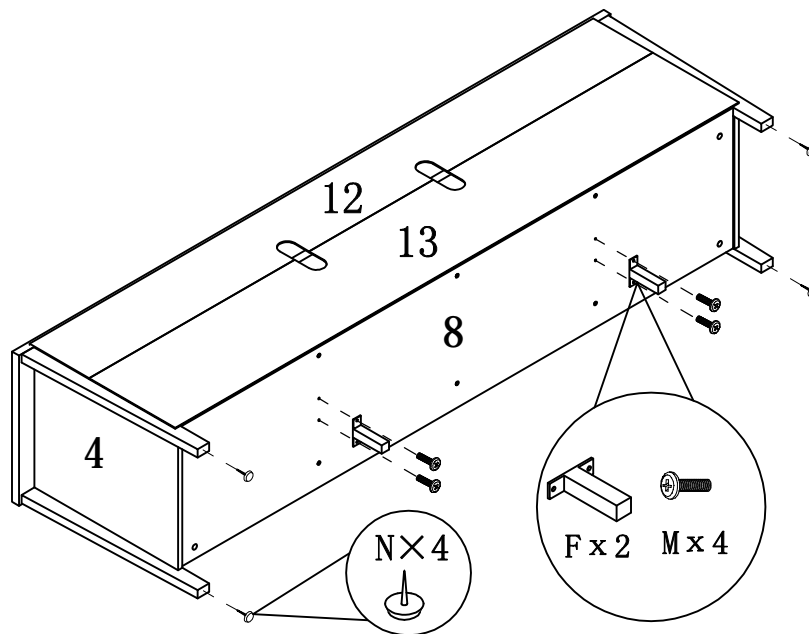


STEP 5 / ETAPE 5

STEP 6 / ETAPE 6



ITEM NO/NO ARTICLE: PAL80TV/29261-80  
PAL72TV/29261-72



STEP 7 / ETAPE 7

STEP 8 / ETAPE 8

