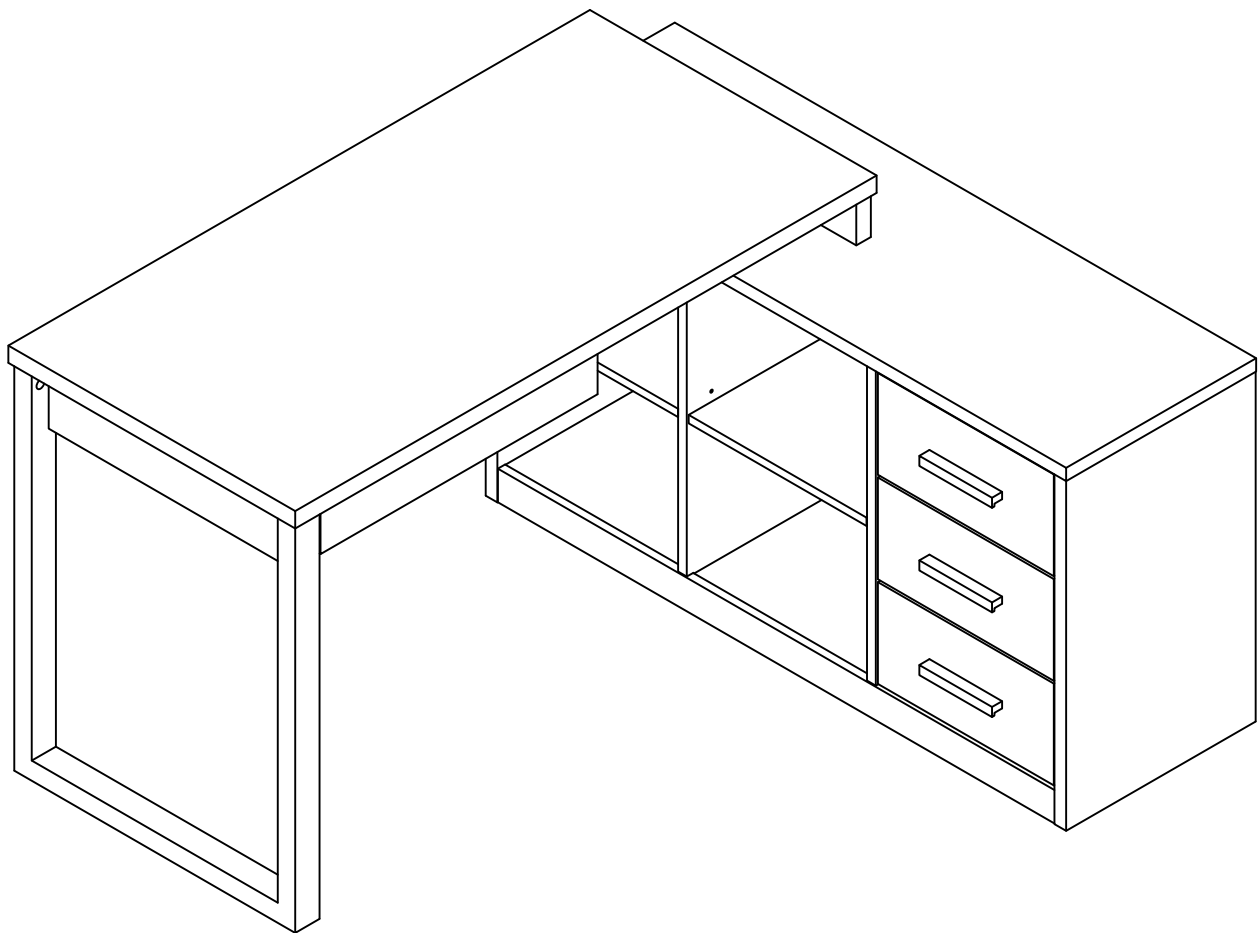


ASSEMBLY INSTRUCTIONS /
INSTRUCTIONS D'ASSEMBLAGE

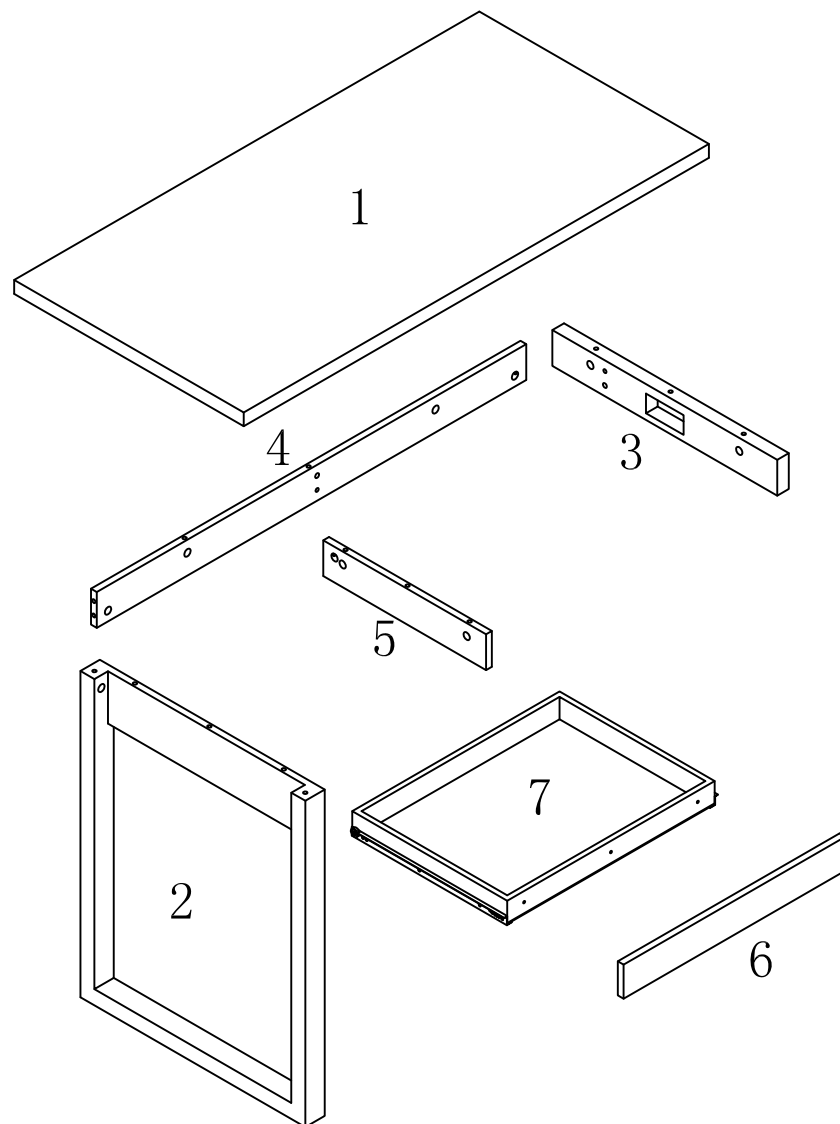
ITEM NO/NO ARTICLE:OWWHDSK/212904



R

PARTS IDENTIFICATIONS / IDENTIFICATION DES PIECES

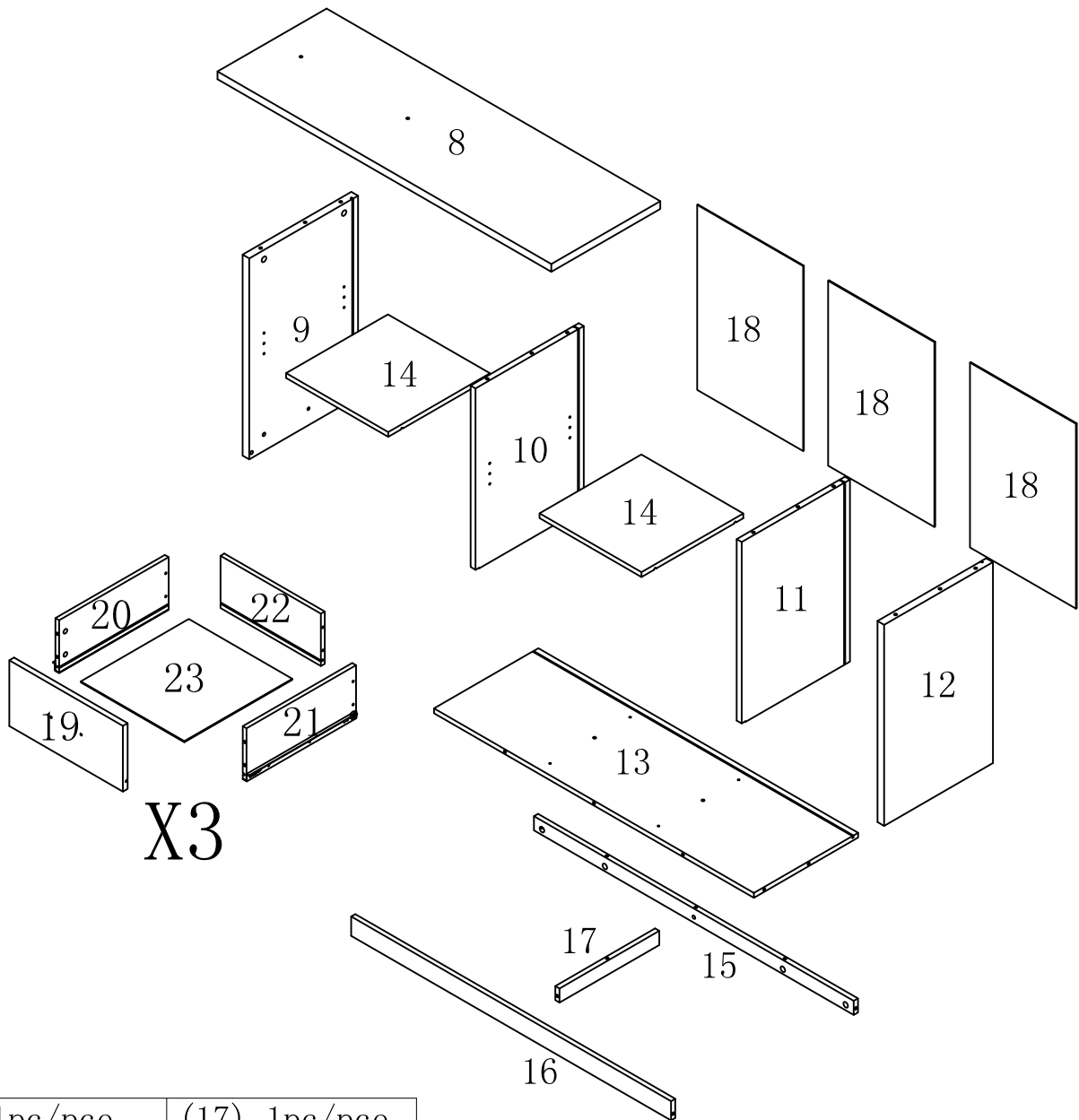
ITEM NO/NO ARTICLE:OWWHDSK/212904



- (1) 1pc/pce
- (2) 1pc/pce
- (3) 1pc/pce
- (4) 1pc/pce
- (5) 1pc/pce
- (6) 1pc/pce
- (7) 1pc/pce

PARTS IDENTIFICATIONS / IDENTIFICATION DES PIECES


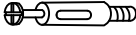


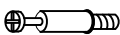

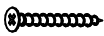
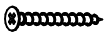
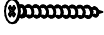




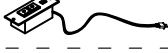
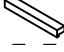






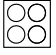
ITEM NO/NO ARTICLE: OWWHDSK/212904



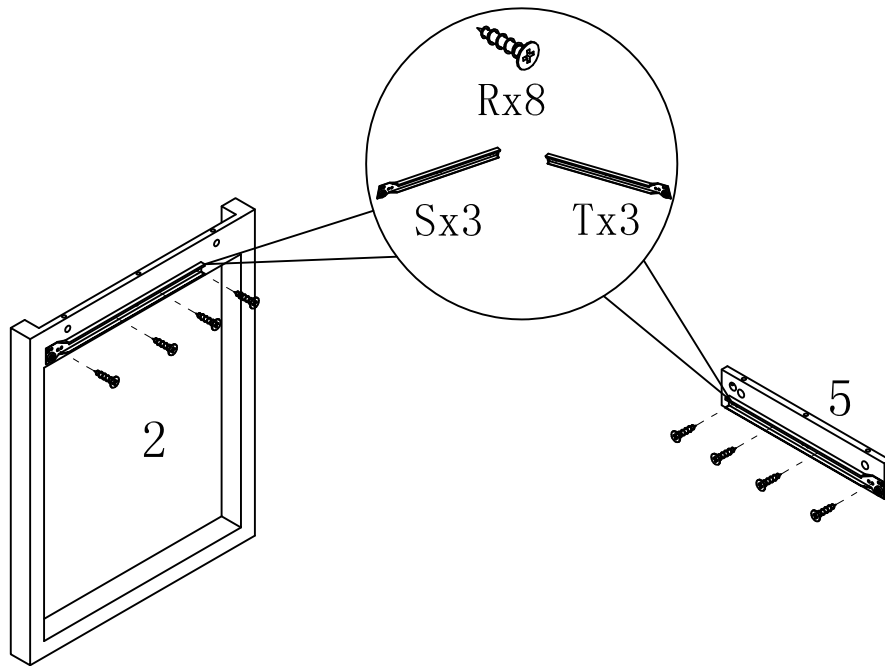
(8) 1pc/pce	(17) 1pc/pce
(9) 1pc/pce	(18) 3pc/pces
(10) 1pc/pce	(19) 3pc/pces
(11) 1pc/pce	(20) 3pc/pces
(12) 1pc/pce	(21) 3pc/pces
(13) 1pc/pce	(22) 3pc/pces
(14) 2pcs/pces	(23) 3pc/pces
(15) 1pc/pce	
(16) 1pc/pce	

HARDWARE IDENTIFICATIONS/ IDENTIFICATION DU KIT D'ASSEMBLAGE

ITEM NO/NO ARTICLE: OWWHDSK/212904

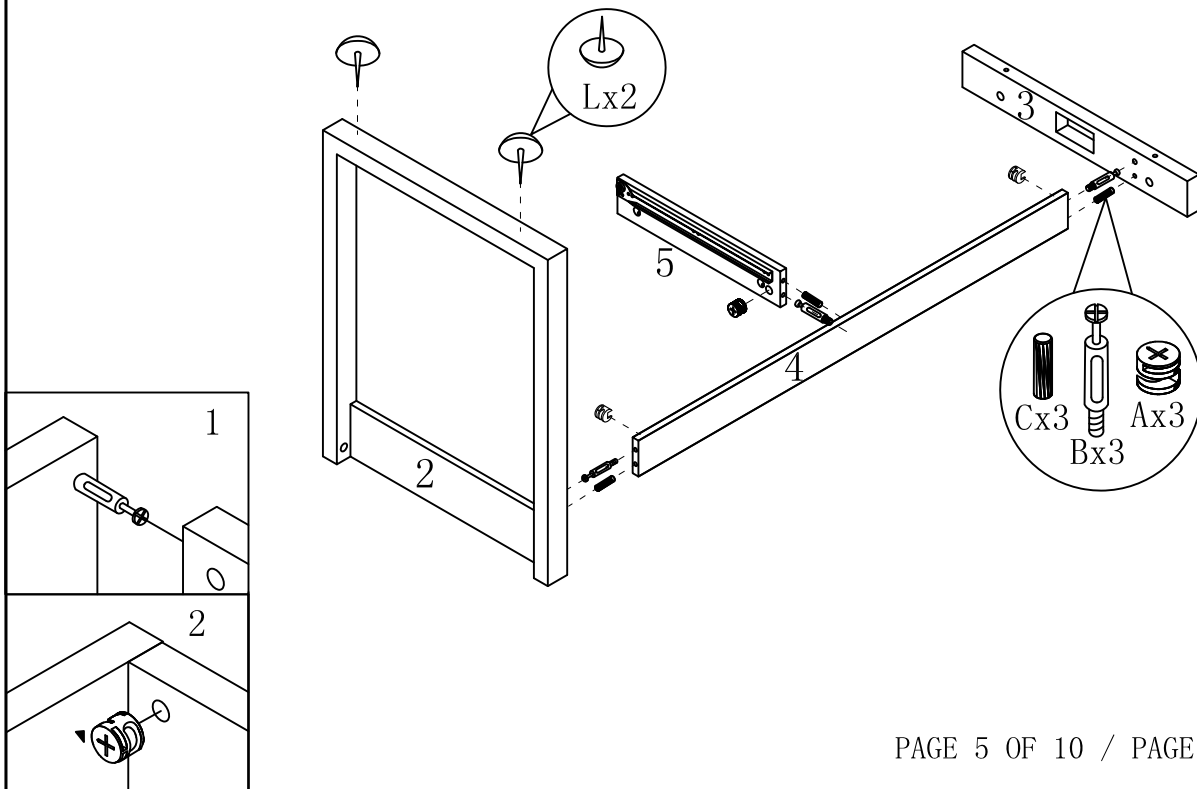
A		$\Phi 15$	36pcs/pces
B		L29	36pcs/pces
C		$\Phi 8 \times 25$	19pcs/pces
D		$\Phi 12$	12pcs/pces
E		L20	12pcs/pces
F		$\Phi 4 \times 22$	6pcs/pces
G		$\Phi 4 \times 25$	3pcs/pces
H		$\Phi 4 \times 30$	12pcs/pces
I		$\Phi 4 \times 35$	4pcs/pces
J		$\Phi 3 \times 14$	2pcs/pces
K		$\Phi 5 \times 15$	8pcs/pces
L		$\Phi 16$	8pcs/pces
M		$\Phi 22$ WH3	12pcs/pces
N			1pcs/pce
O		$150 \times 21 \times 18$	3pcs/pces
P		L=14"	3pcs/pces
Q		R=14"	3pcs/pces
R		$\Phi 3.5 \times 12$	26pcs/pces
S		L=16"	1pc/pce
T		R=16"	1pc/pce
U		<p>Glue: For securing please apply to wood dowel first before inserting into panel.</p> <p>Colle: Appliquez de la colle sur les goujons en bois avant de les insérer dans le panneau.</p>	1pc/pces
V		$\Phi 22$ (SR)	4pcs/pces

ITEM NO/NO ARTICLE:OWWHDSK/212904

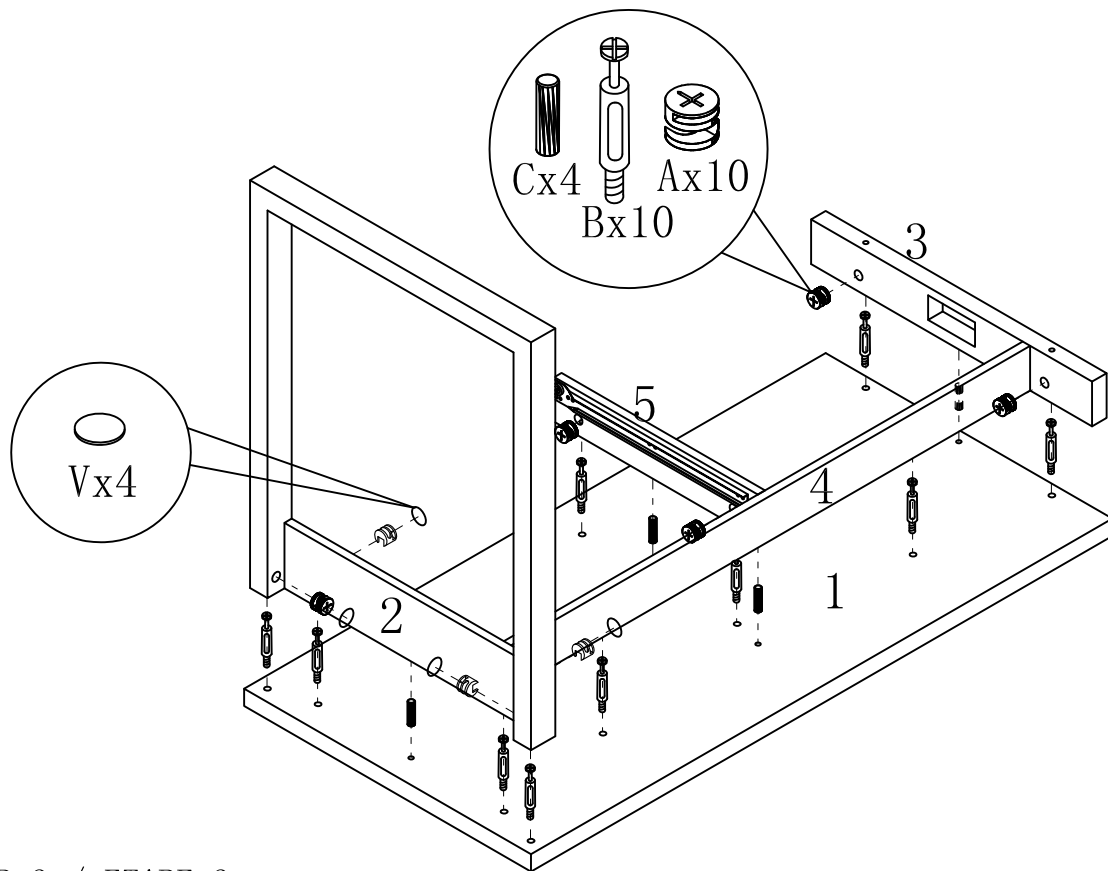


STEP 1 / ETAPE 1

STEP 2 / ETAPE 2

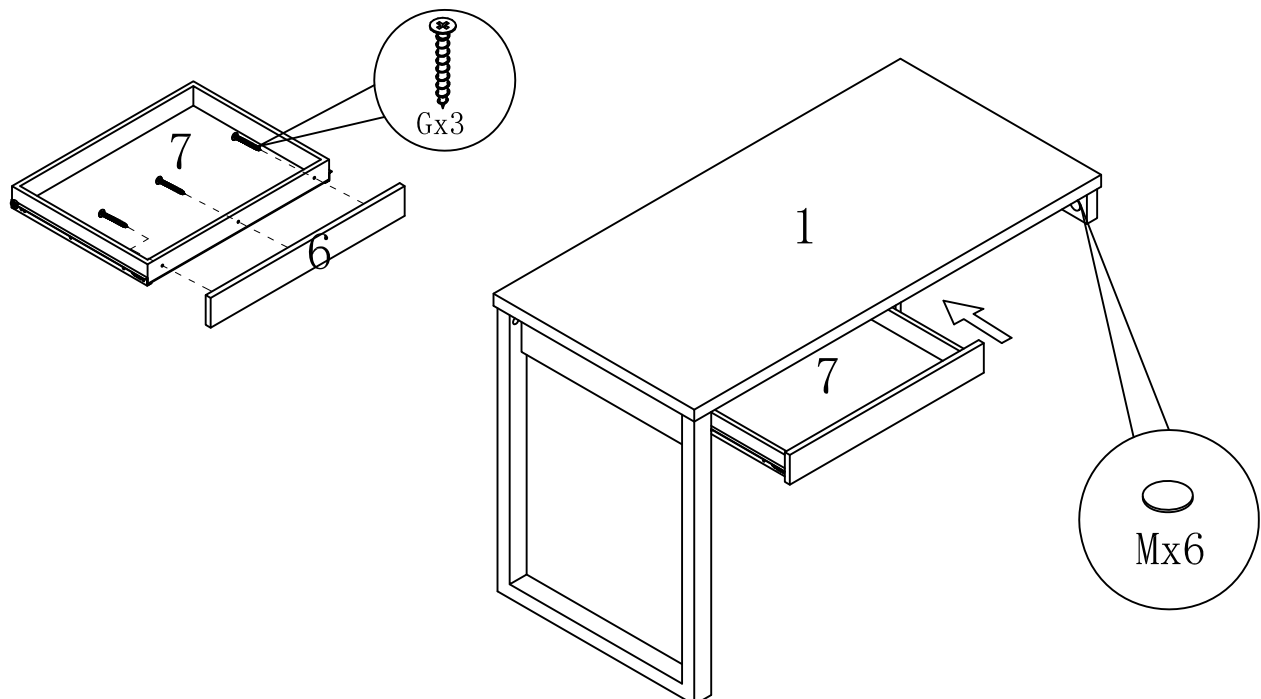


ITEM NO/NO ARTICLE:OWWHDSK/212904

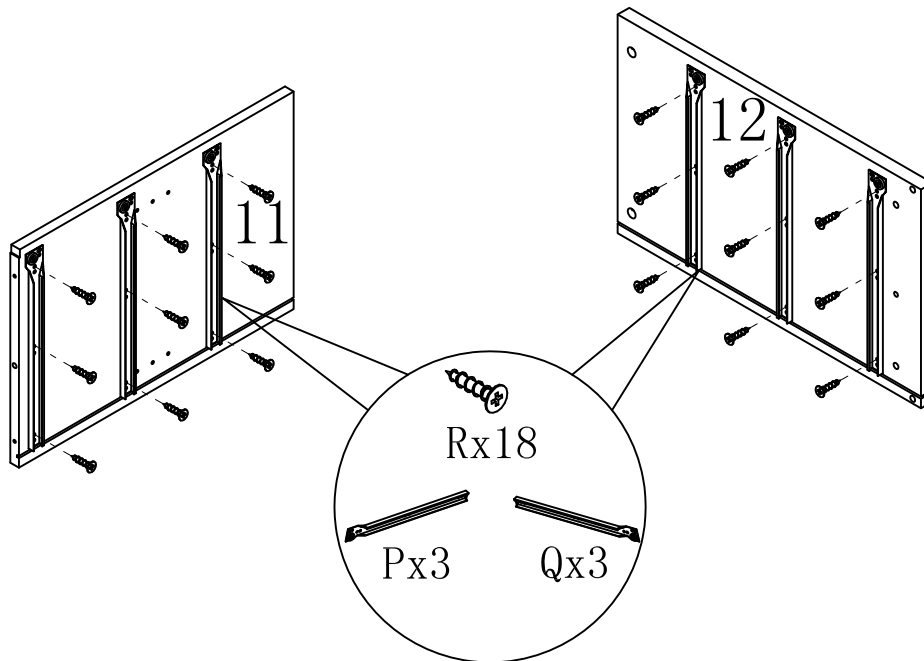


STEP 3 / ETAPE 3

STEP 4 / ETAPE 4

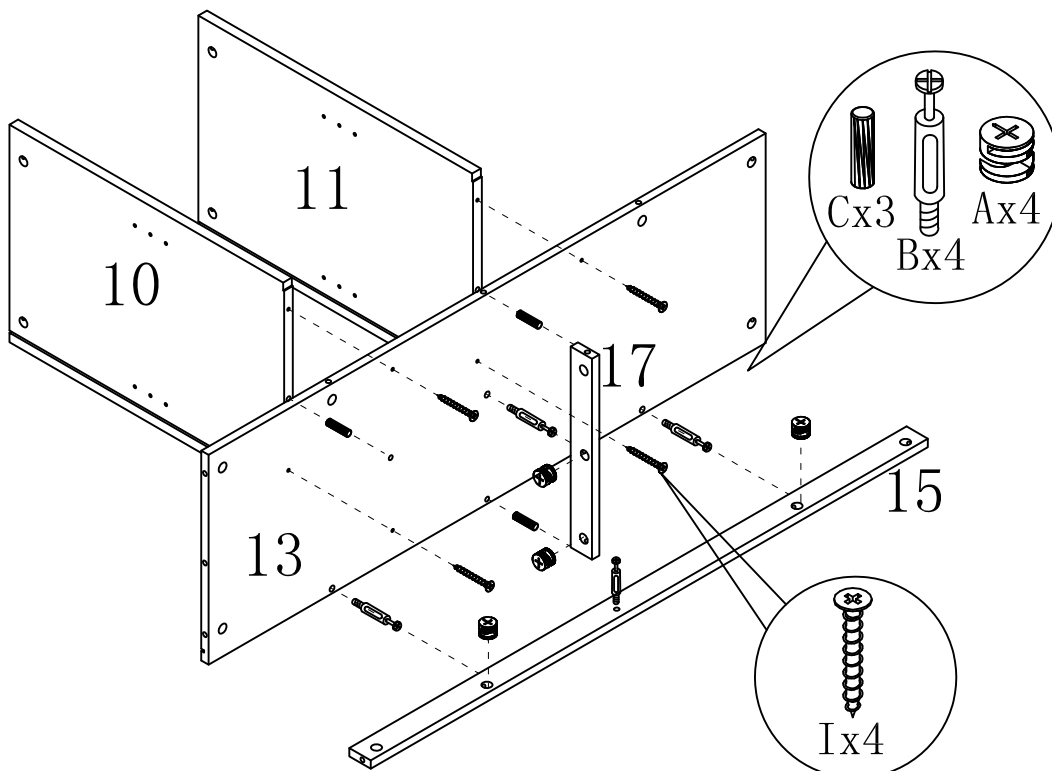


ITEM NO/NO ARTICLE:OWWHDSK/212904

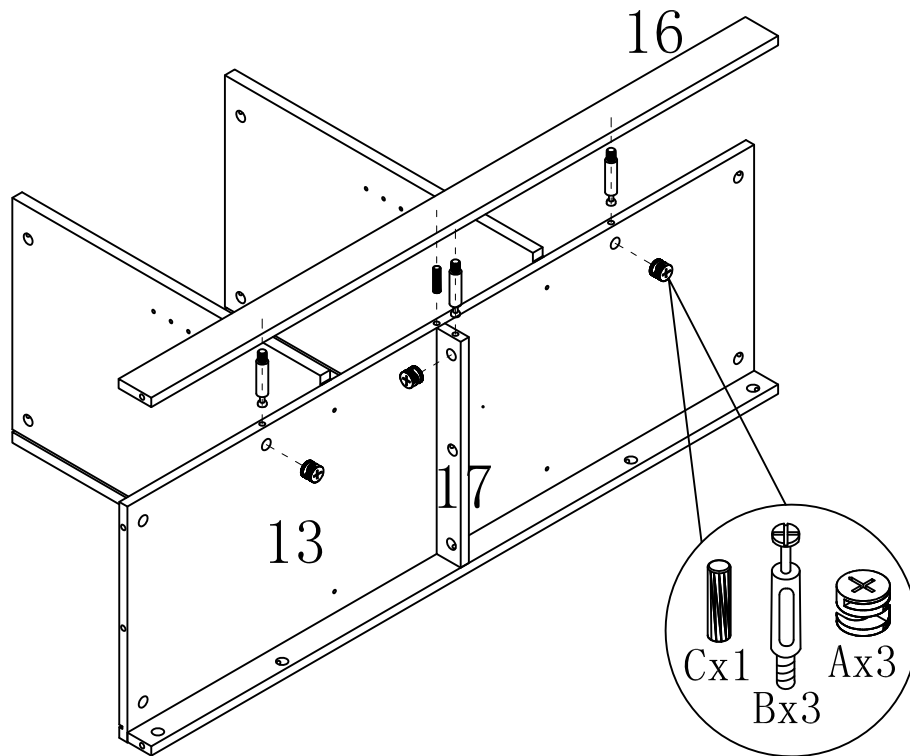


STEP 5 / ETAPE 5

STEP 6 / ETAPE 6

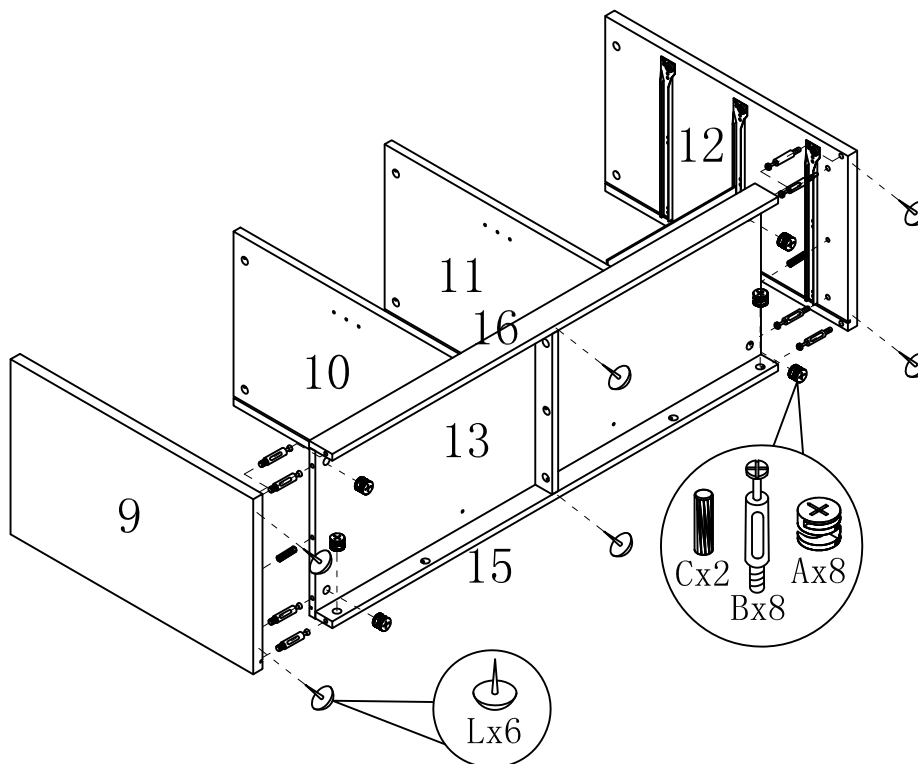


ITEM NO/NO ARTICLE:OWWHDSK/212904

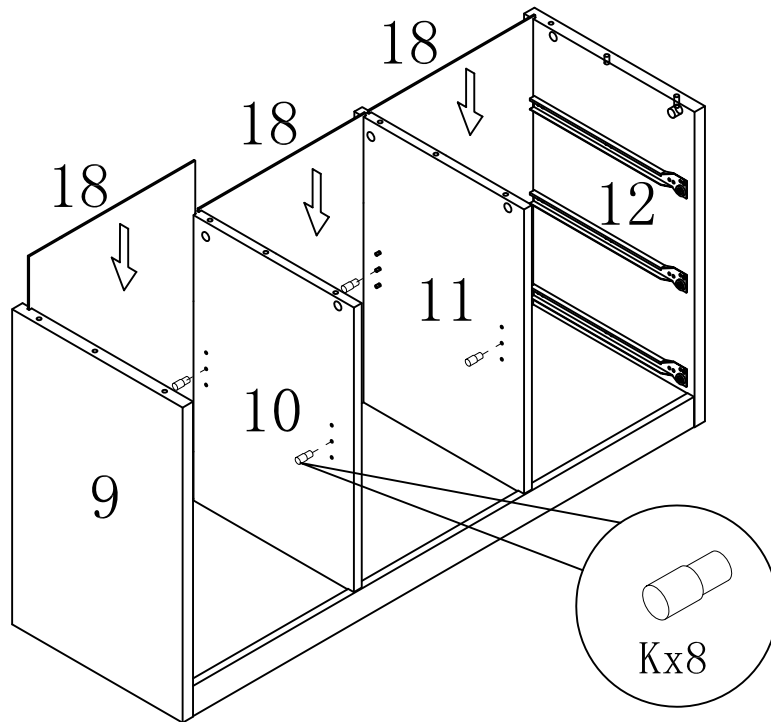


STEP 7 / ETAPE 7

STEP 8 / ETAPE 8

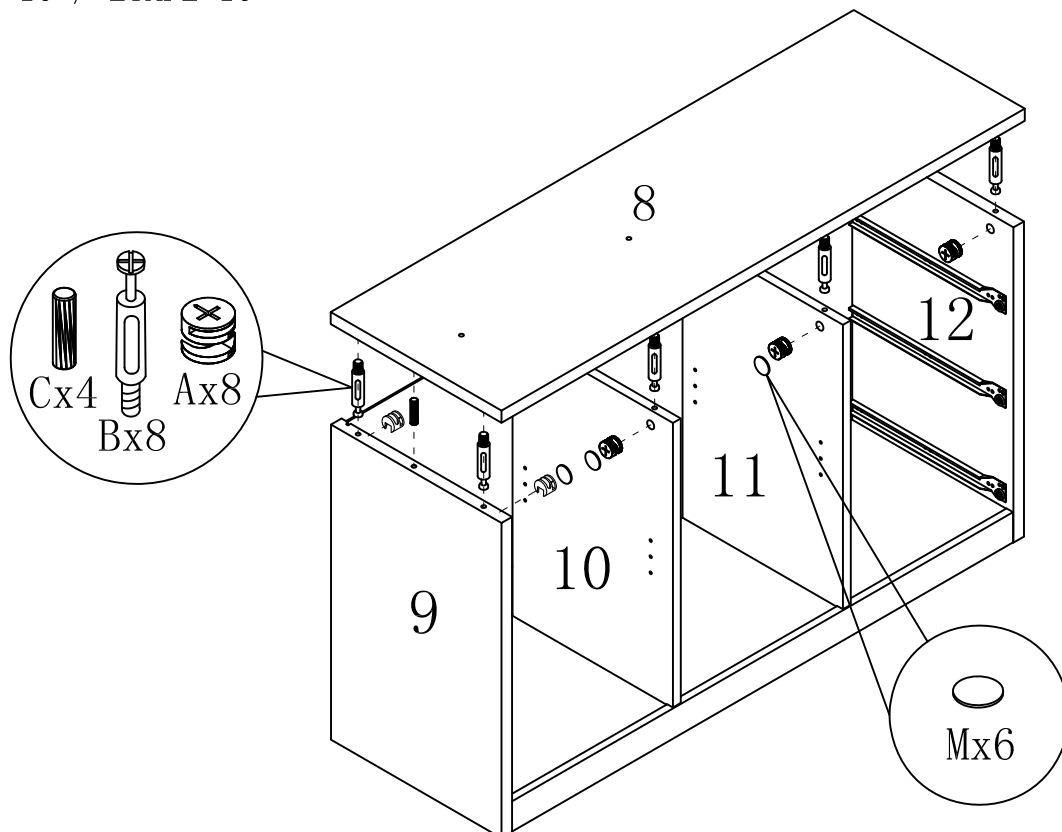


ITEM NO/NO ARTICLE:OWWHDSK/212904



STEP 9 / ETAPE 9

STEP 10 / ETAPE 10



ITEM NO/NO ARTICLE:OWWHDSK/212904

