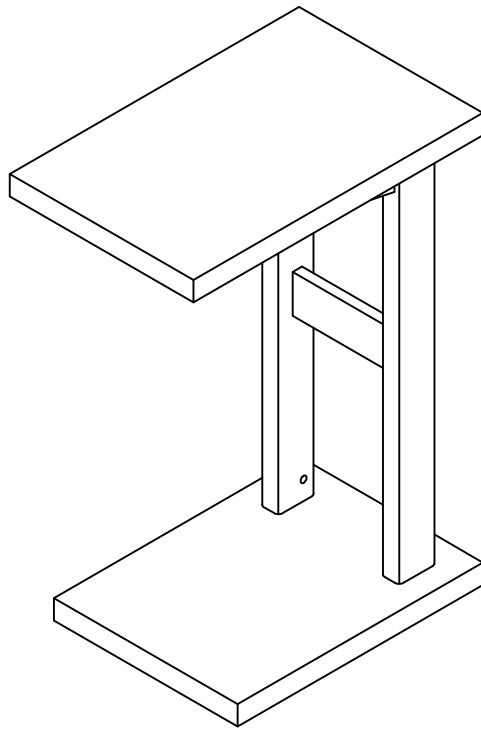


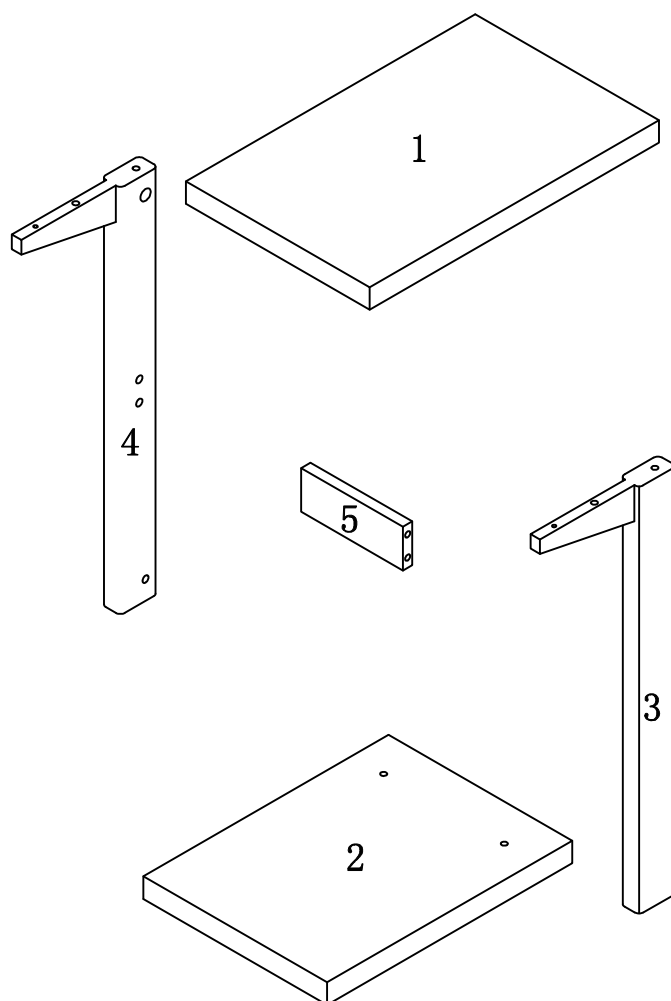
ASSEMBLY INSTRUCTIONS /
INSTRUCTIONS D'ASSEMBLAGE

ITEM NO/NO ARTICLE:ORRTPCST/192574



PARTS IDENTIFICATIONS /
IDENTIFICATION DES PIECES




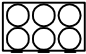
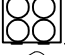
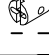



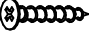


ITEM NO/NO ARTICLE:ORRTPCST/192574



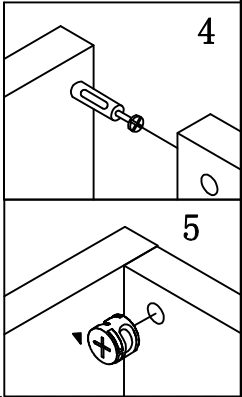
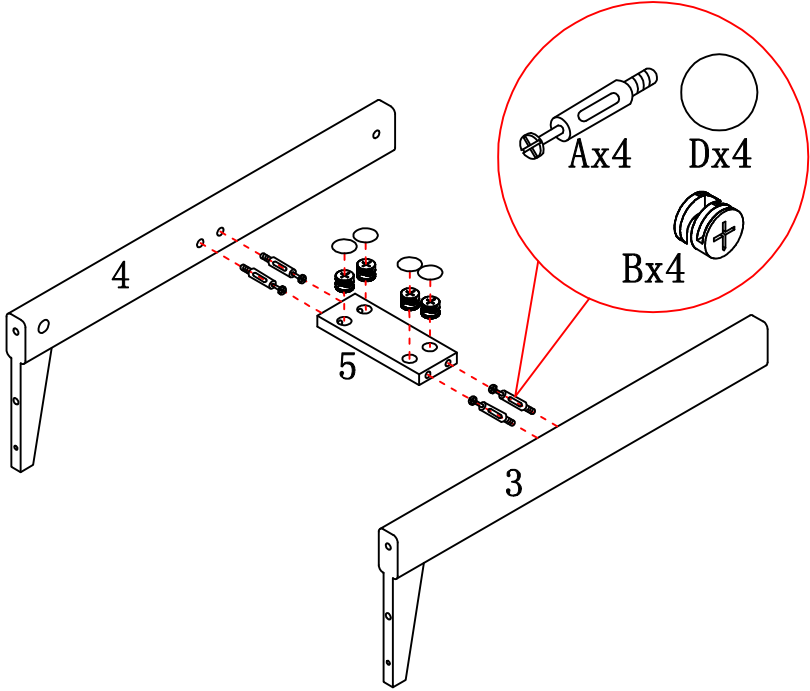
- (1) 1pc/pce
- (2) 1pc/pce
- (3) 1pcs/pce
- (4) 1pcs/pce
- (5) 1pcs/pce

HARDWARE IDENTIFICATIONS/ IDENTIFICATION DU KIT D'ASSEMBLAGE

ITEM NO/NO ARTICLE:ORRTPCST/192574

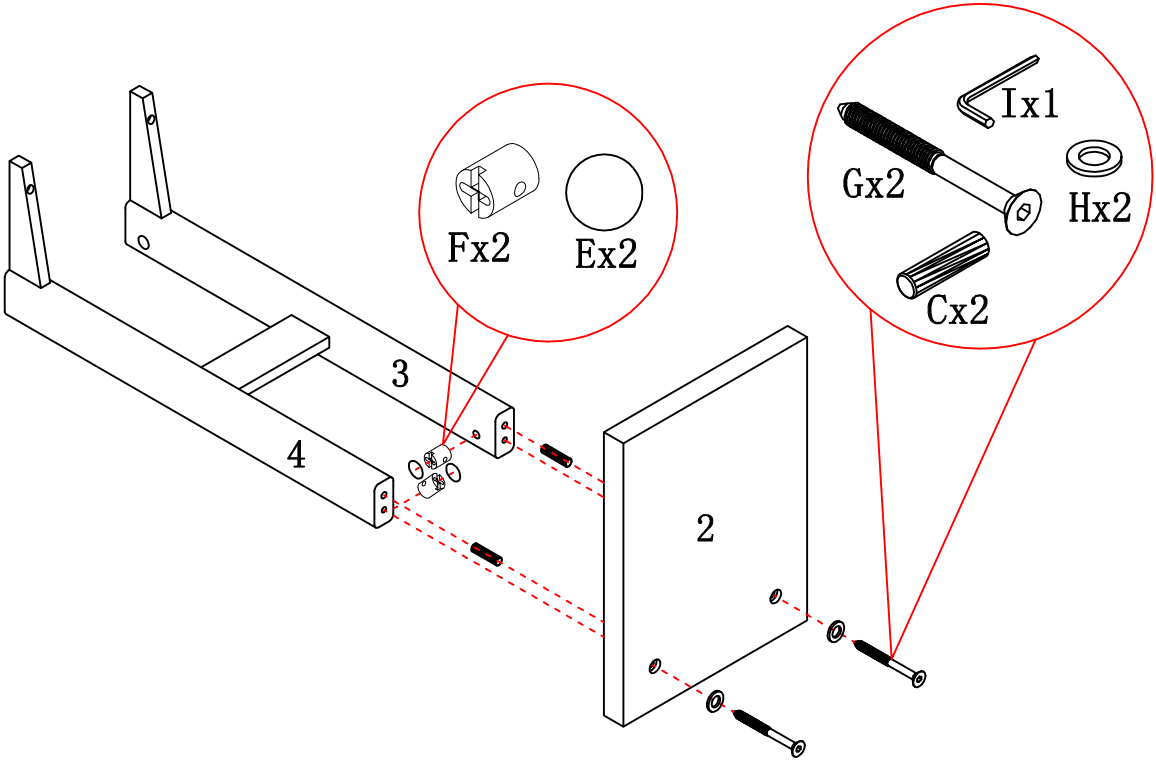
A		L29	6pcs/pcs
B		φ 15	6pcs/pcs
C		φ 8 x 25	4pcs/pcs
D		φ 22	6pcs/pcs
E		φ 15	4pcs/pcs
F		φ 10 x 15	2pcs/pcs
G		M6 x 85	2pcs/pcs
H		φ 8 x φ 16 x 2	2pcs/pcs
I		M4	1pcs/pcs
J		φ 4 x 35	2pcs/pcs
K		φ 16	4pcs/pcs
L		<p>Glue: For securing please apply to wood dowel first before inserting into panel. Colle: Appliquez de la colle sur les goujons en bois avant de les insérer dans le panneau.</p>	1pc/pce

ITEM NO/NO ARTICLE:ORRTPCST/192574

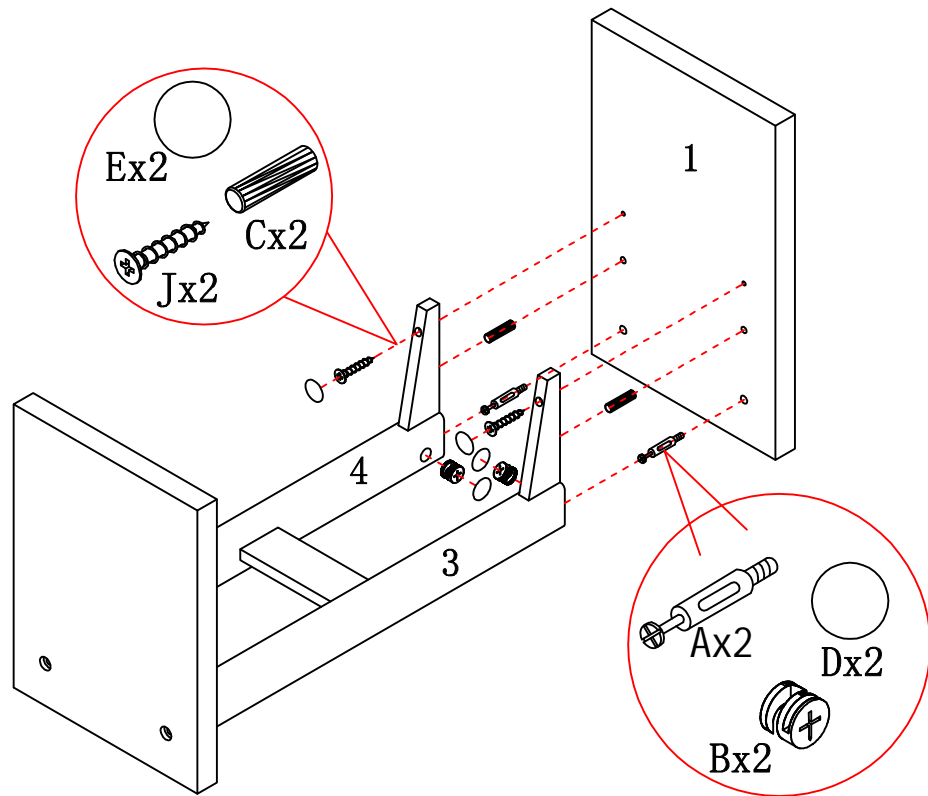


STEP 1 / ETAPE 1

STEP 2 / ETAPE 2



ITEM NO/NO ARTICLE:ORRTPCST/192574



STEP 3 / ETAPE 3

STEP 4 / ETAPE 4

