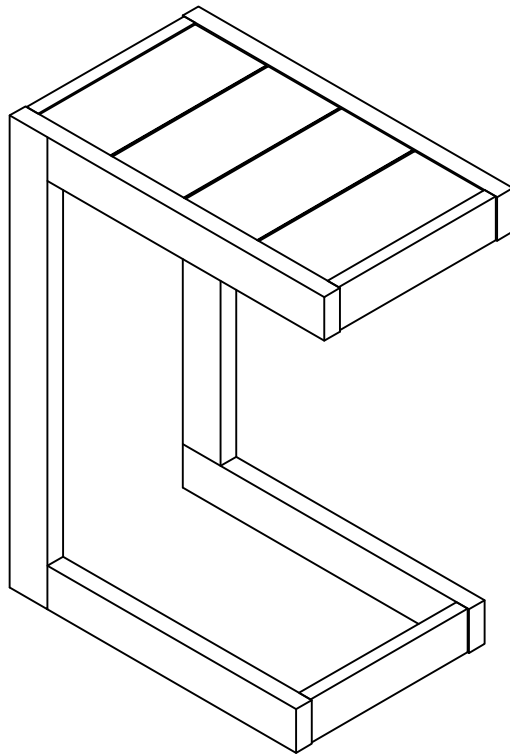


ASSEMBLY INSTRUCTIONS /  
INSTRUCTIONS D'ASSEMBLAGE

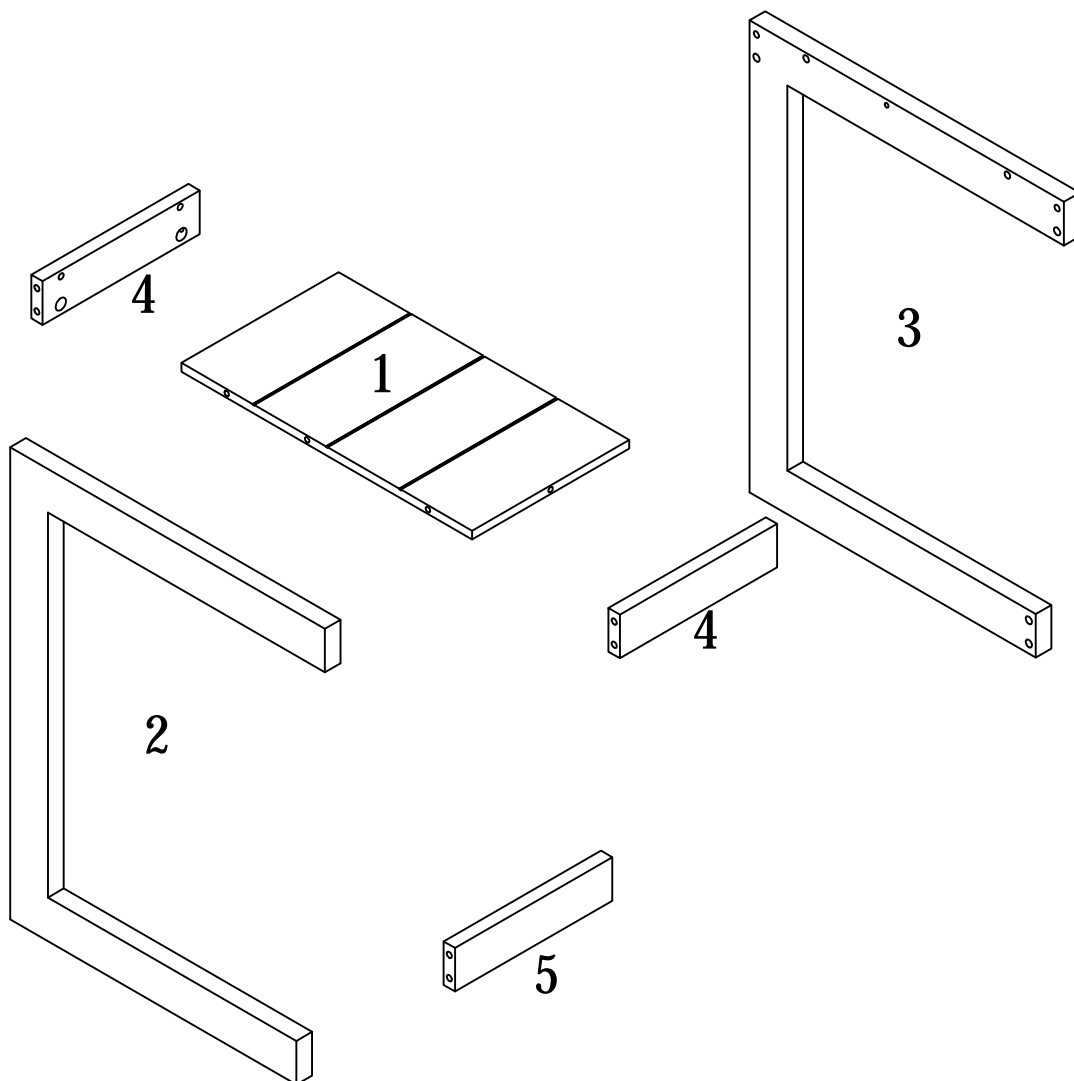
---

ITEM NO/NO ARTICLE:ORRDTCST/192577



PARTS IDENTIFICATIONS /  
IDENTIFICATION DES PIECES



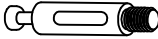






ITEM NO/NO ARTICLE:ORRDTCST/192577



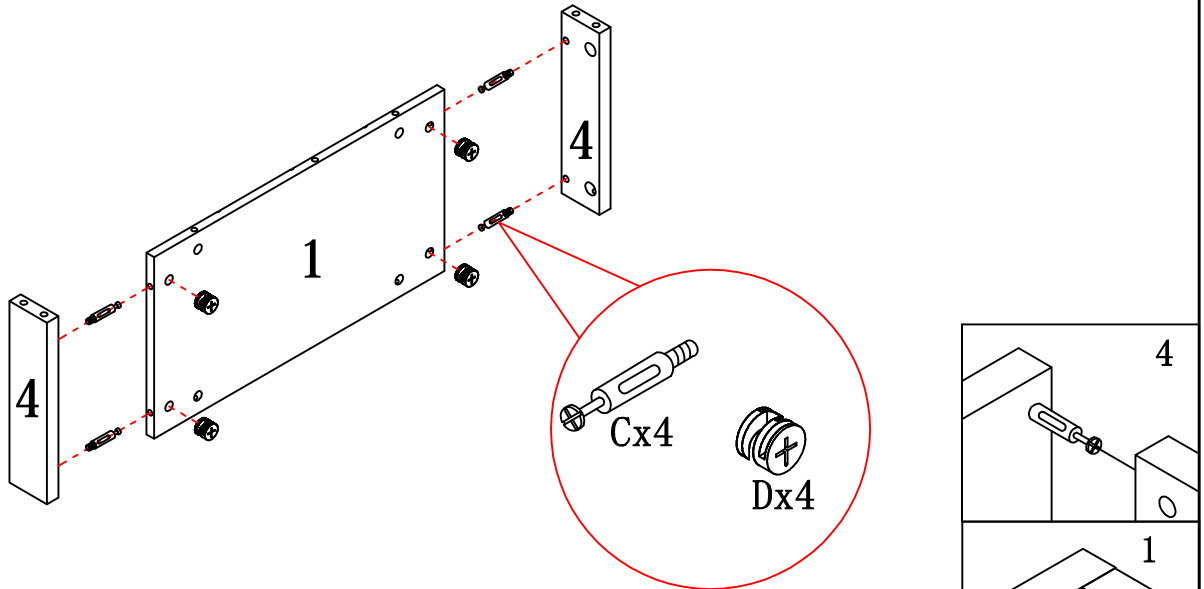
- |     |           |
|-----|-----------|
| (1) | 1pc/pce   |
| (2) | 1pc/pce   |
| (3) | 1pcs/pce  |
| (4) | 2pcs/pces |
| (5) | 1pcs/pce  |

# HARDWARE IDENTIFICATIONS/ IDENTIFICATION DU KIT D'ASSEMBLAGE

ITEM NO/NO ARTICLE: ORRDTCST/192577

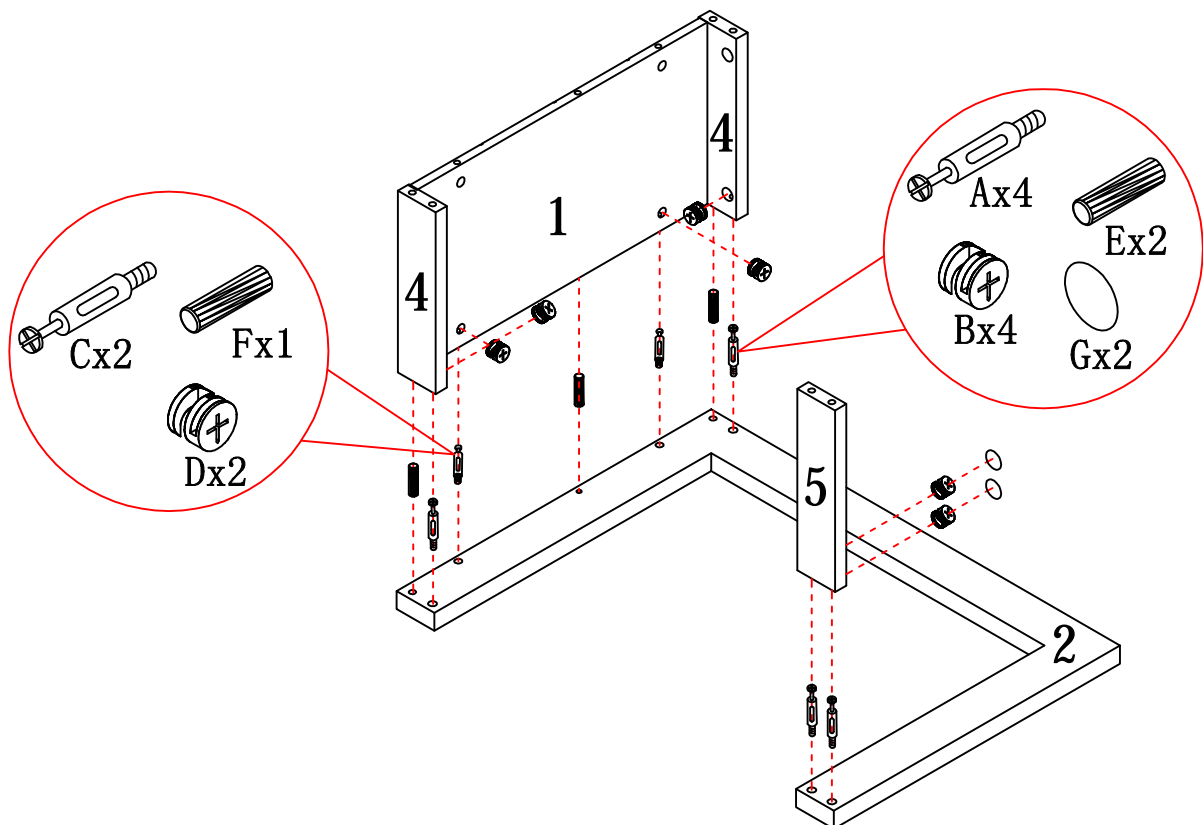
A		L29	8pcs/pces
B		φ 15	8pcs/pces
C		L24	8pcs/pces
D		φ 12	8pcs/pces
E		φ 8 x 25	4pcs/pces
F		φ 6 x 30	2pcs/pces
G		φ 22	4pcs/pces
H		φ 16	4pcs/pces
I		<p>Glue: For securing please apply to wood dowel first before inserting into panel. Colle: Appliquez de la colle sur les goujons en bois avant de les insérer dans le panneau.</p>	1pc/pce

# ITEM NO/NO ARTICLE:ORRDTCST/192577

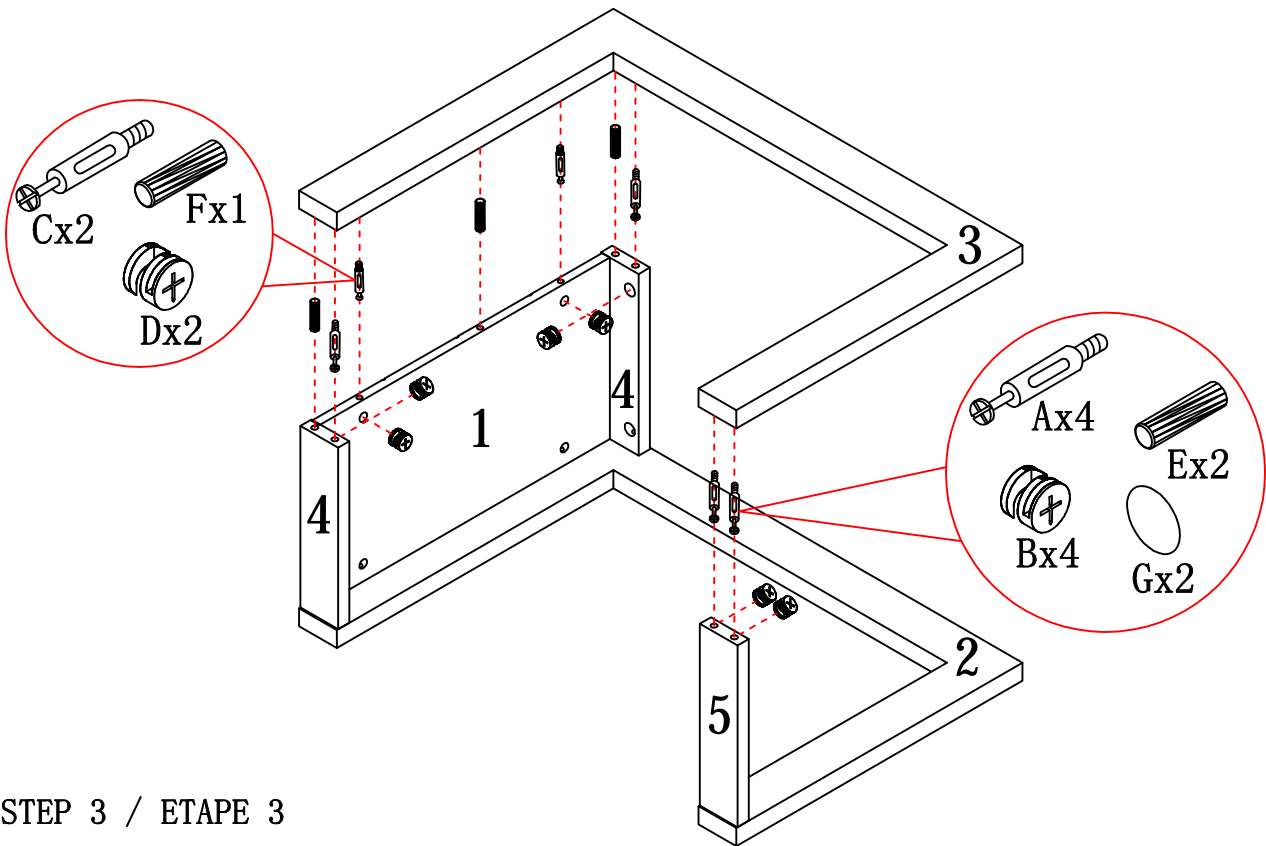


STEP 1 / ETAPE 1

STEP 2 / ETAPE 2



ITEM NO/NO ARTICLE:ORRDTCST/192577



STEP 3 / ETAPE 3

STEP 4 / ETAPE 4

