



HOMELEGANCE

ASSEMBLY INSTRUCTION INSTRUCTIONS DE MONTAGE

B2009DZ/GY-1 TWIN / TWIN BUNK BED/

LIT SUPERPOSÉ SIMPLE / SIMPLE

NOACTTBK NOAH BUNK BED

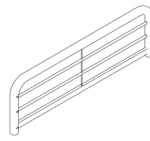
PART LIST / LISTE DE PIÈCES:



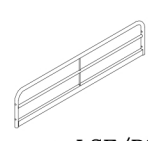
A: Post A/Publier A
2PCS



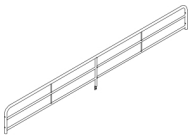
B: Post B/Publier B
2PCS



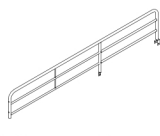
C: Upper LSF Rail/
Rail supérieur LSF
1PC



D: Lower LSF/RSF Rail/
Rail inférieur LSF/
RSF
2PCS



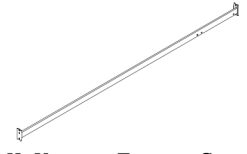
E: Upper Rear Guardrail/
Garde-corps arrière
supérieur
1PC



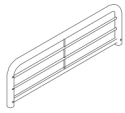
F: Upper Front Guardrail/
Garde-corps avant
supérieur
1PC



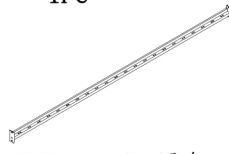
G: Upper Rear Support Rail/
Rail de support arrière
supérieur
1PC



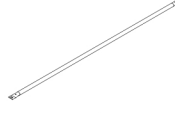
H: Upper Front Support
Rail/Rail de support
avant supérieur
1PC



I: Upper RSF Rail/
Rail supérieur RSF
1PC



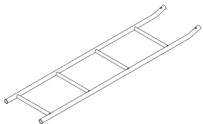
J: Lower Rail/
Rail inférieur
2PCS



K: Slat/lattes
44PCS



L: Slat Connector/
Connecteur à lamelles
88PCS



M: Ladder/Échelle
1PC



N: Slat Spacer/
Entretoise de
lamelle
42PCS

HARDWARE LIST / LISTE DE QUINCAILLERIE:



1: Bolt/Boulon
1/4*35mm
X 14PCS



2: Bolt/Boulon
1/4*16mm
X 16PCS



3: Bolt/Boulon
1/4*45mm
X 3PCS



4: Bolt/Boulon
1/4*10mm
X 3PCS



5: Washer/Machine
à laver
X 14PCS



6: Nut/Écrou
1/4
X 1PC



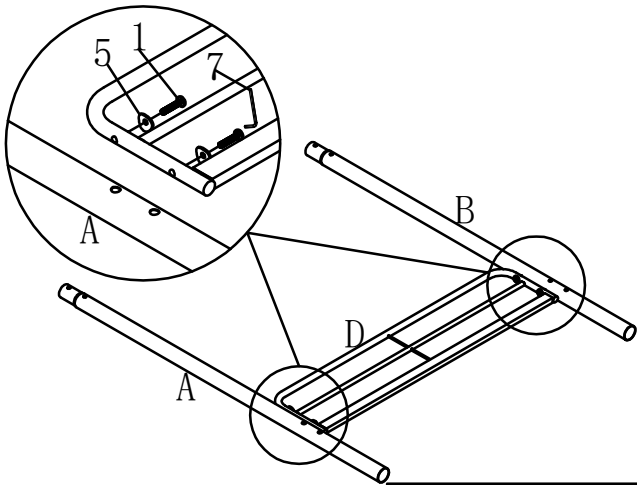
7: Allen Key/
Clé Allen
4mm
X 1PC



8: Wrench/Clé
X 1PC

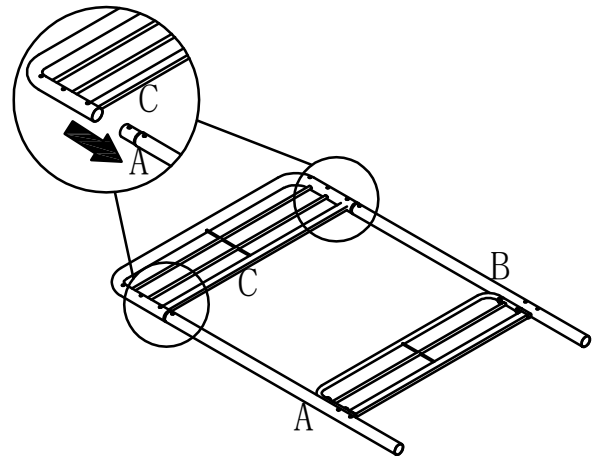
NOTE: PLEASE DO NOT TIGHTEN ALL BOLTS UNTIL THE BED IS ASSEMBLED COMPLETELY.
 NE PAS SERRER LES BOULONS JUSQU'À CE QUE LE MONTAGE SOIT COMPLETMENT TERMINE

STEP 1/ÉTAPE 1

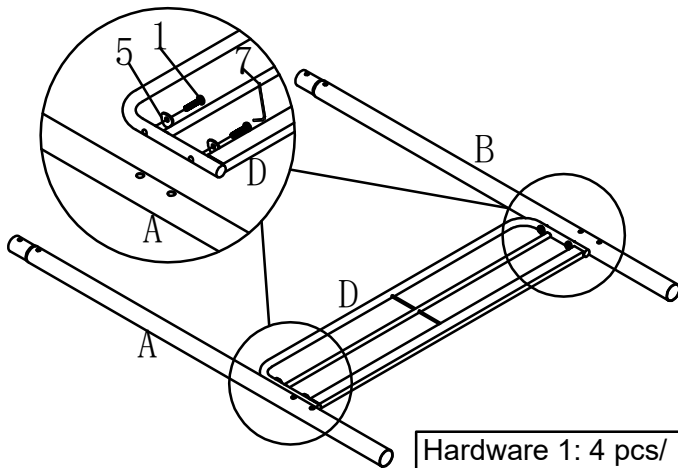


Hardware 1: 4 pcs/
 Matériel 1: 4 pièces
 Hardware 5: 4 pcs/
 Matériel 5: 4 pièces

STEP 2/ÉTAPE 2

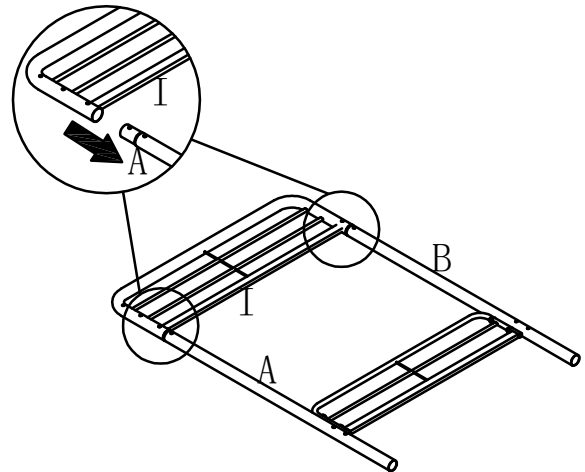


STEP 3/ÉTAPE 3

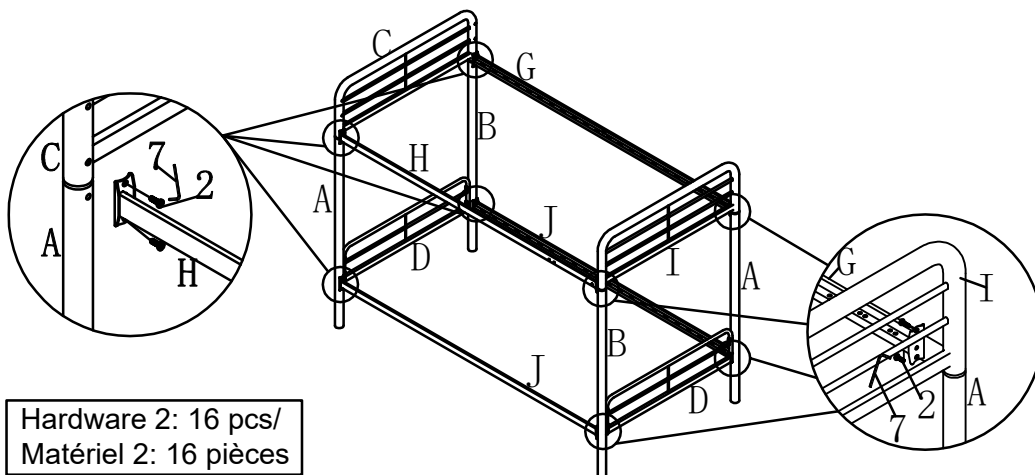


Hardware 1: 4 pcs/
 Matériel 1: 4 pièces
 Hardware 5: 4 pcs/
 Matériel 5: 4 pièces

STEP 4/ÉTAPE 4



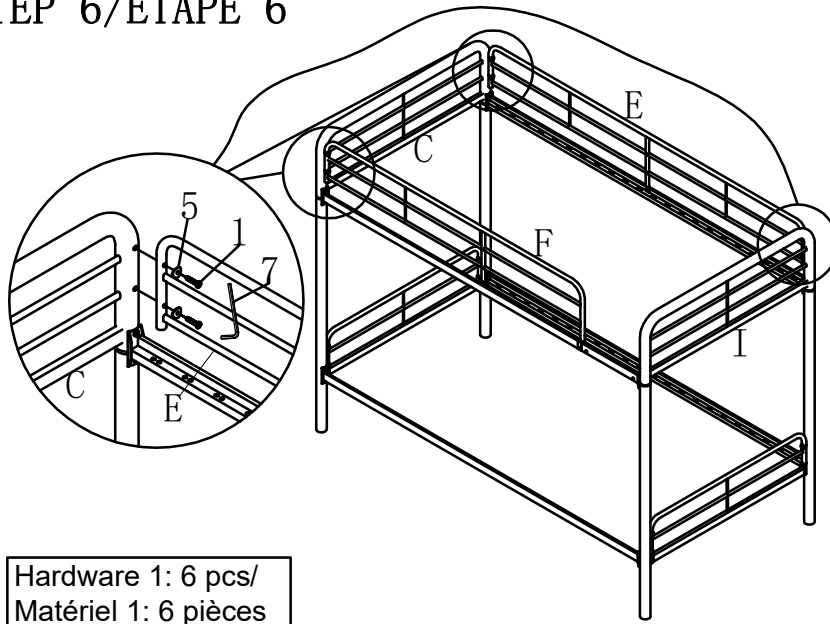
STEP 5/ÉTAPE 5



Hardware 2: 16 pcs/
 Matériel 2: 16 pièces

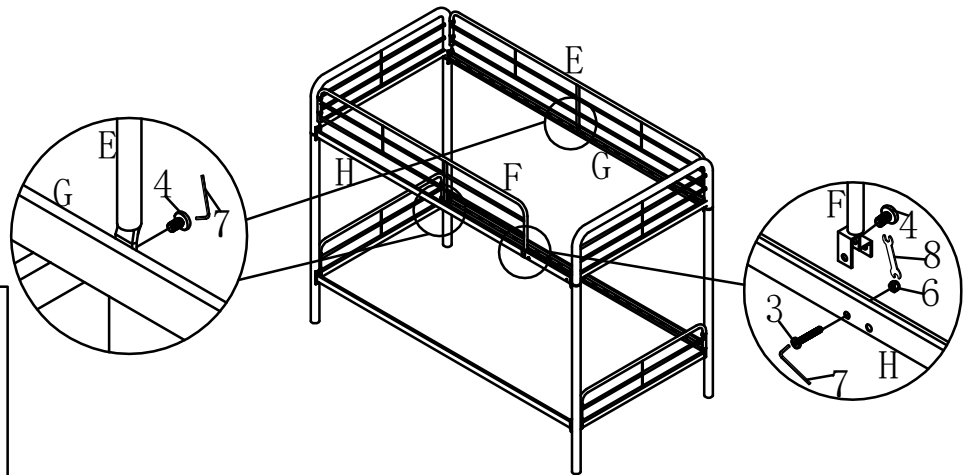
NOTE: PLEASE DO NOT TIGHTEN ALL BOLTS UNTIL THE BED IS ASSEMBLED COMPLETELY.
 NE PAS SERRER LES BOULONS JUSQU'À CE QUE LE MONTAGE SOIT COMPLETMENT TERMINE

STEP 6/ÉTAPE 6



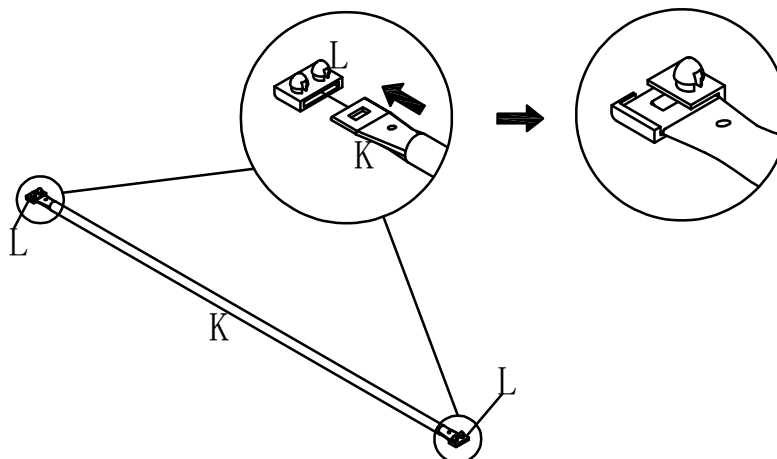
Hardware 1: 6 pcs/
 Matériel 1: 6 pièces
 Hardware 5: 6 pcs/
 Matériel 5: 6 pièces

STEP 7/ÉTAPE 7



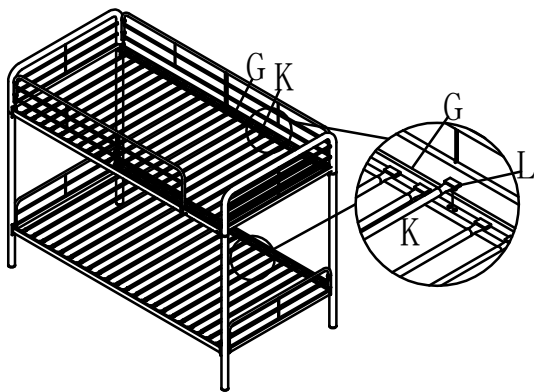
Hardware 3: 1 pcs/
 Matériel 3: 1 pièces
 Hardware 4: 3 pcs/
 Matériel 4: 3 pièces
 Hardware 6: 1 pcs/
 Matériel 6: 1 pièces

STEP 8/ÉTAPE 8

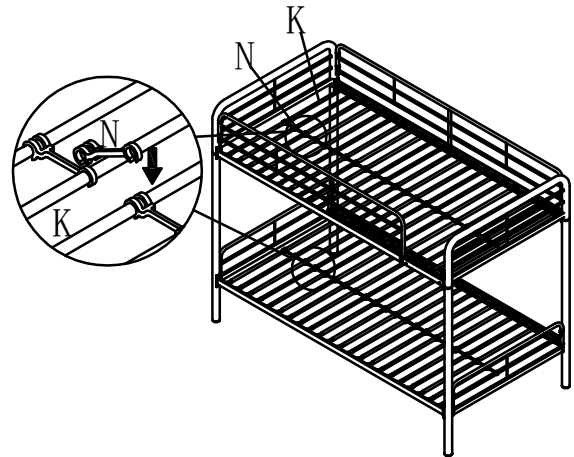


NOTE: PLEASE DO NOT TIGHTEN ALL BOLTS UNTIL THE BED IS ASSEMBLED COMPLETELY.
NE PAS SERRER LES BOULONS JUSQU'À CE QUE LE MONTAGE SOIT COMPLETMENT TERMINE

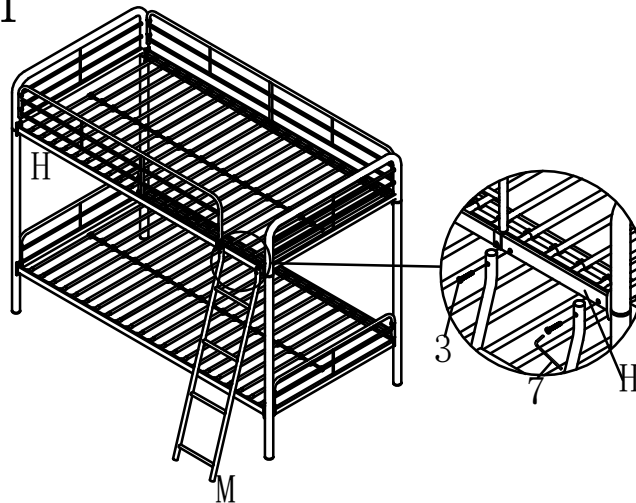
STEP 9/ÉTAPE 9



STEP 10/ÉTAPE 10



STEP 11/ÉTAPE 11



Hardware 3: 2 pcs/
Matériel 3: 2 pièces

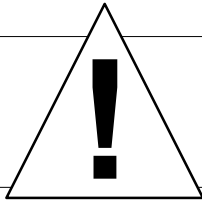
COMPLETED/TERMINÉ



For items use on wooden floor, hard surfaces or carpets. It is recommended to install protective pads under all legs and supports to avoid damage or scratches when placing furniture on a wood floor or other hard surface, and to limit indentation and prevent discoloration if placing on carpet.



Pour les articles à utiliser sur le parquet, les surfaces dures ou les tapis. Il est recommandé de placer des coussins protecteurs sous tous les pieds et toutes les bases des meubles pour éviter d'endommager ou d'égratigner les planchers en bois ou autres surfaces dures, et pour limiter l'empreinte et empêcher la décoloration quand les meubles reposent sur la moquette.



SAFETY WARNING

Homelegance puts your child's safety as a Top Priority. Our bunk beds have been tested by an independent laboratory and certified to be in compliance with ASTM F-1427, "Standard Consumer Safety Specification for Bunk Beds" and U.S. Government specifications 16 Code of Federal Regulations, Parts 1213 and 1513.

1. Follow the information on the warning attached to the upper end structure and on the carton. Do not remove this label.
2. Always use the recommended size mattress or mattress support or both to help prevent the likelihood of entrapment or falls.
3. Ensure thickness of mattress does not exceed 6" and mattress surface at least 5" inches below upper edge of guardrails.
4. Do not allow children less than six years of age to use the upper bunk.
5. Prohibit more than one person on upper bunk.
6. Periodically check and ensure that the guardrail, ladder and other components are in their proper position, free from damage, and that all connectors are tight.
7. Do not allow horseplay on or under the bed and prohibit jumping on the bed.
8. Always use the ladder for entering and leaving the upper bunk.
9. Do not use substitute parts. Contact the manufacturer or dealer for replacement parts.
10. Use of a night light may provide added safety precaution for a child using upper bunk.
11. If the bunk bed will be placed next to a wall, the guardrail that runs the full length of the bed should be placed against the wall to prevent entrapment between the bed and the wall. (This applies only to bunk beds without two full-length guardrails.)
12. Always use guardrails or both long sides of the upper bunk.
13. The use of water or sleep flotation mattress is prohibited.
14. Keep these instructions for future reference.

STRANGULATION HAZARD:

15. Never attach or hang items to any part of the bunk bed that are not designed for use with the bed for example, but not limited to hooks, belts, and jump ropes.

SIZE OF MATTRESS AND FOUNDATION:

Use only mattress which is 52 $\frac{1}{2}$ "-53 $\frac{1}{2}$ " in width for upper bed, 53 $\frac{1}{2}$ " in width for lower bed and 74"-75" in length for upper and lower bed. The total thickness of mattress and foundation (slat kit, bunk, ect.) combined must not exceed 6".

Note: There must be at least 5" from mattress sleeping surface to top edge of guardrail.

REPLACEMENT PARTS:

Replacement parts, including additional guardrails may be obtained from any Homelegance Dealer.