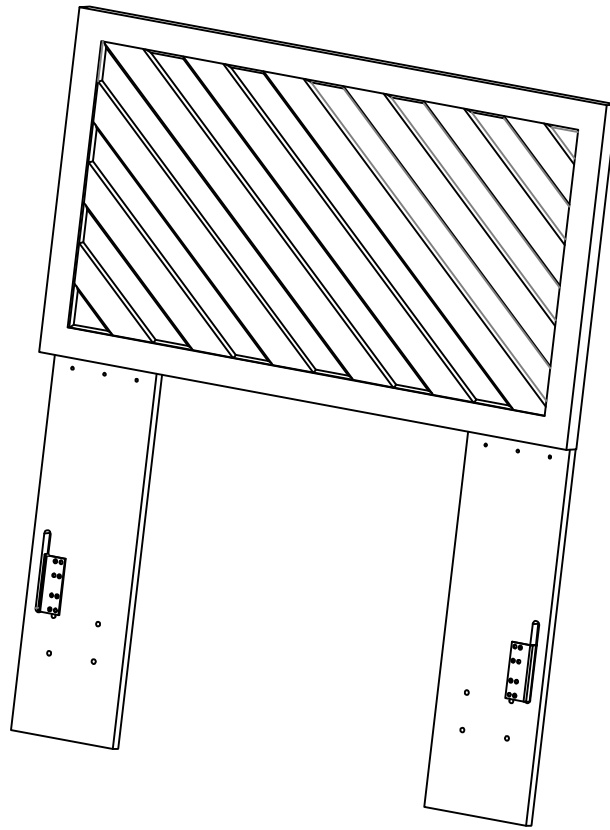
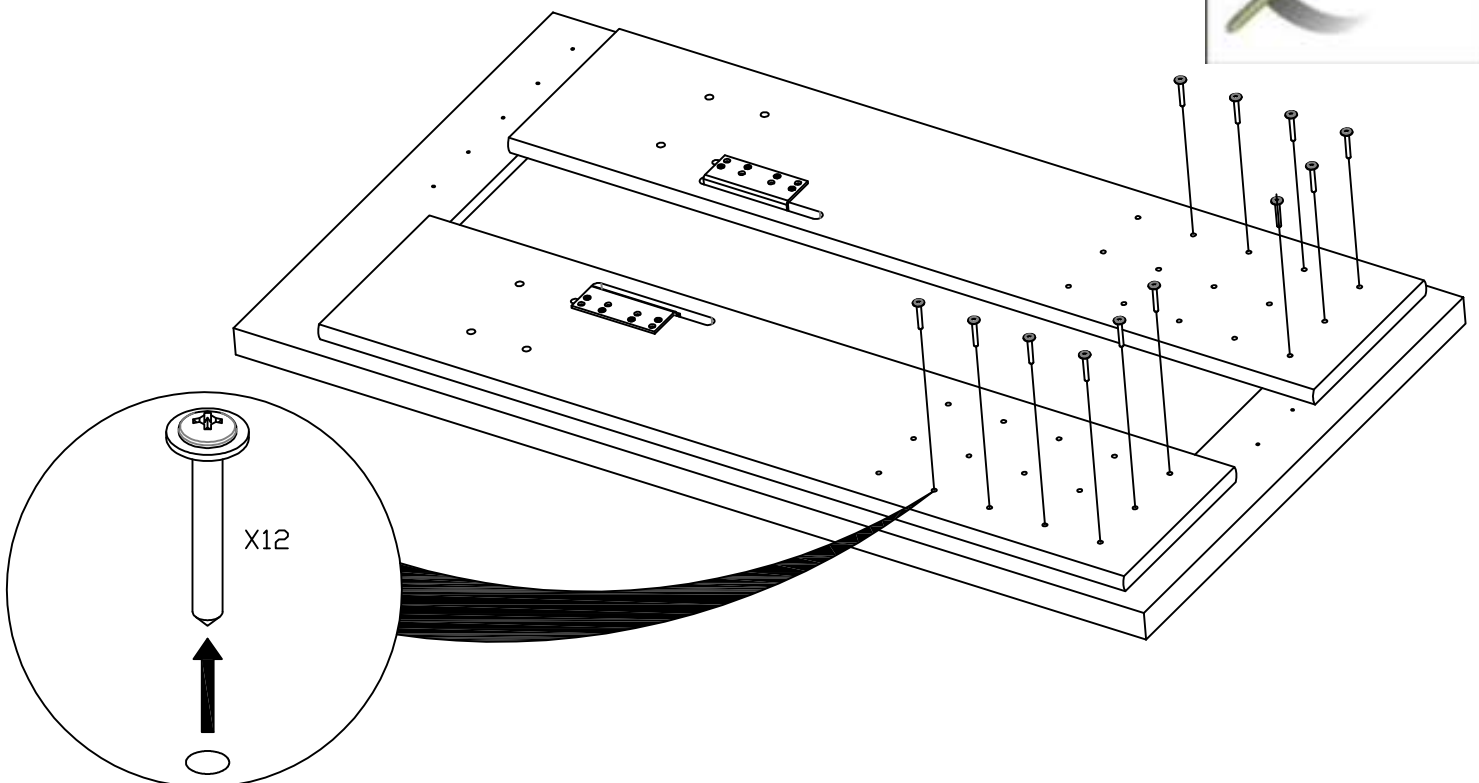
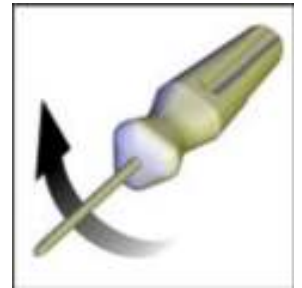


905899

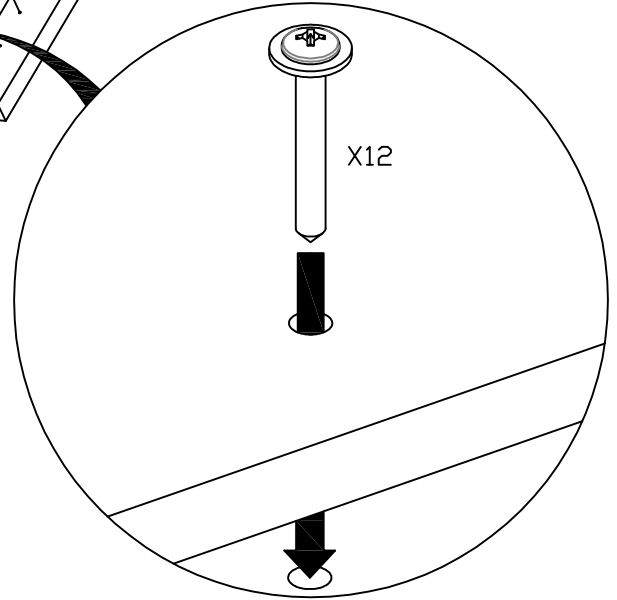
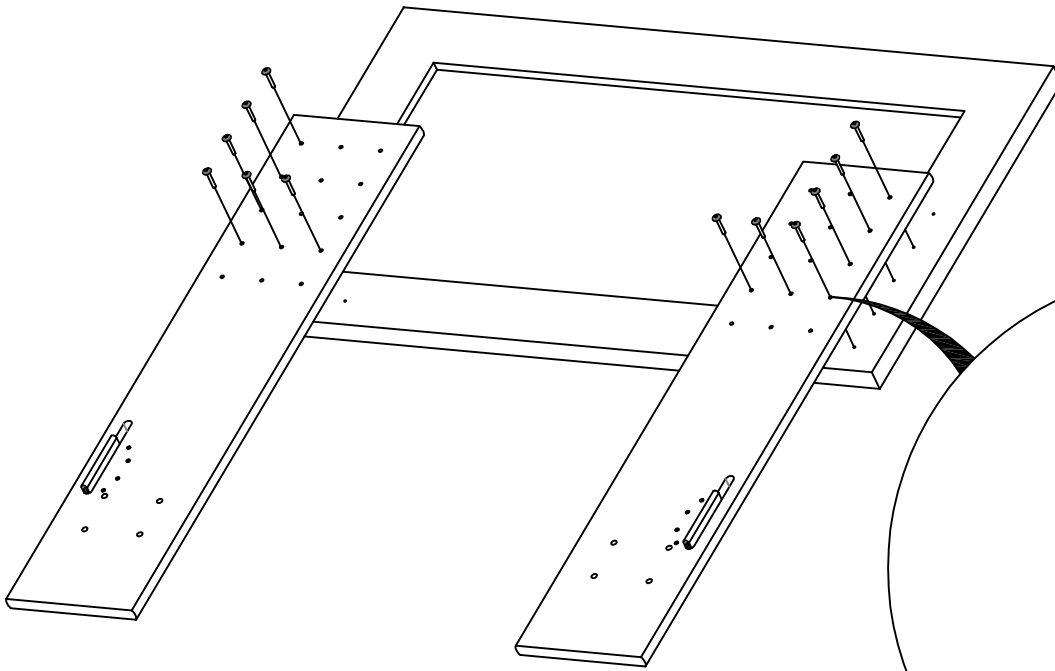
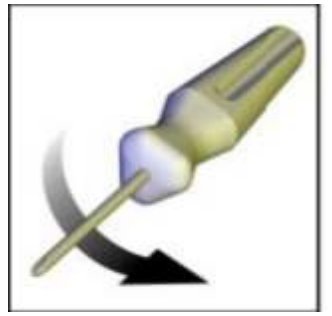
Adjustable Leg Instructions



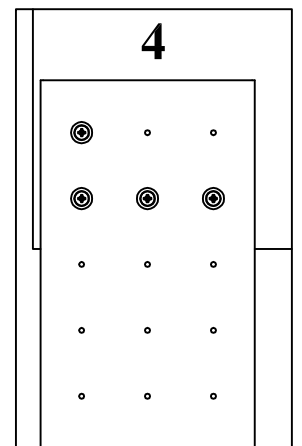
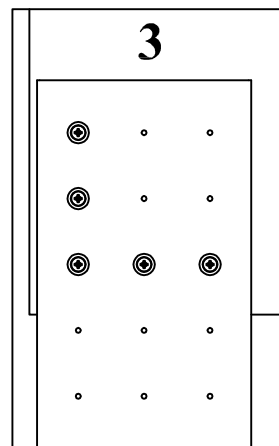
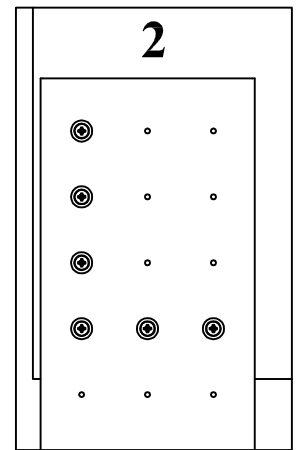
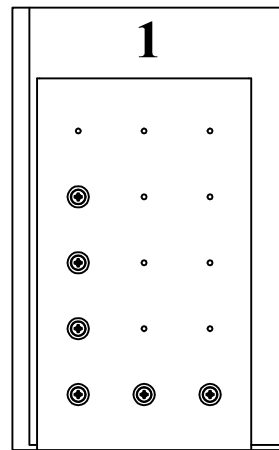
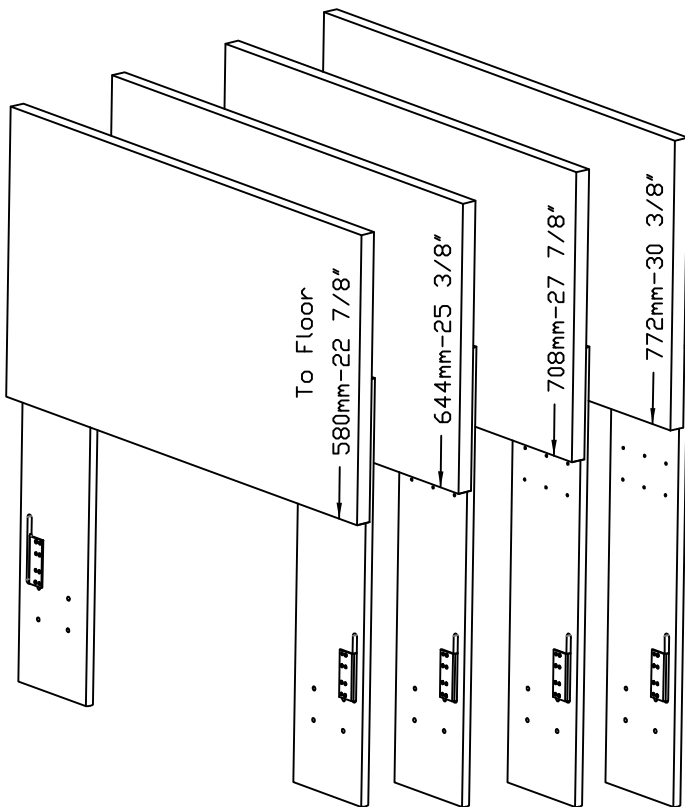
Step 1



Step 2

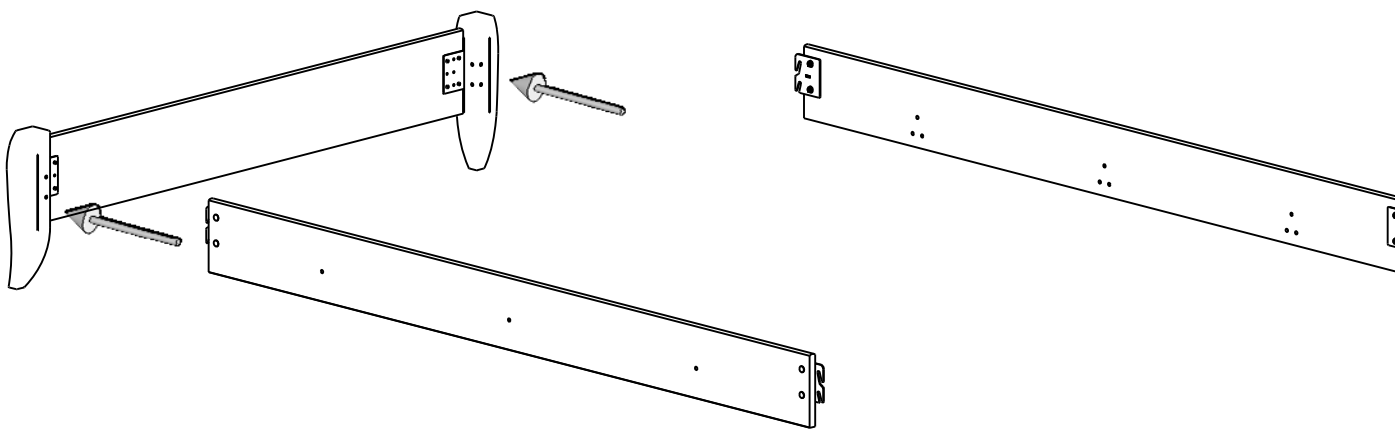
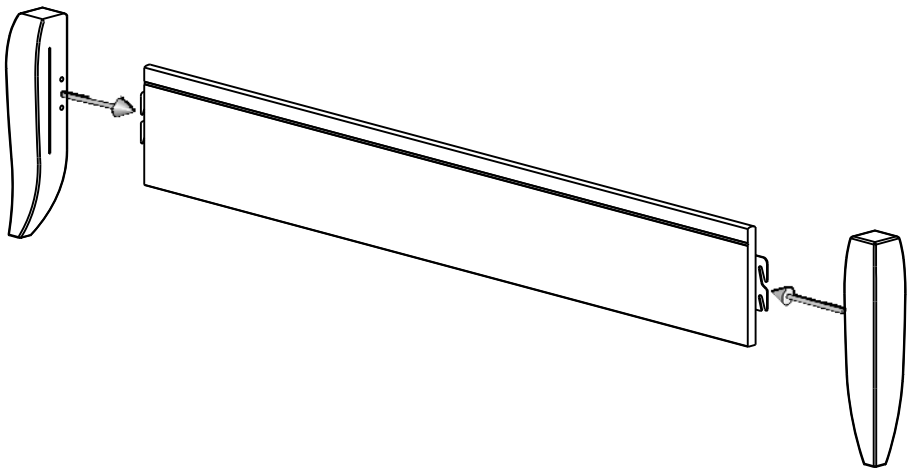
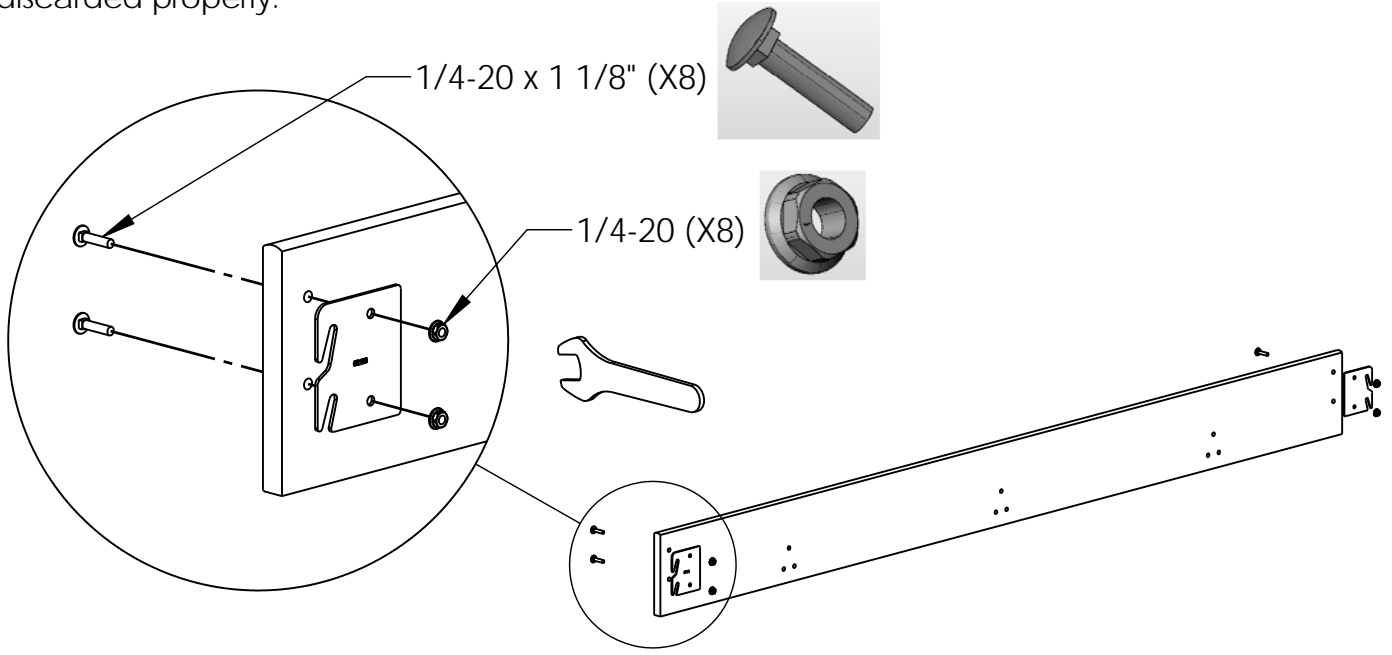


Step 3



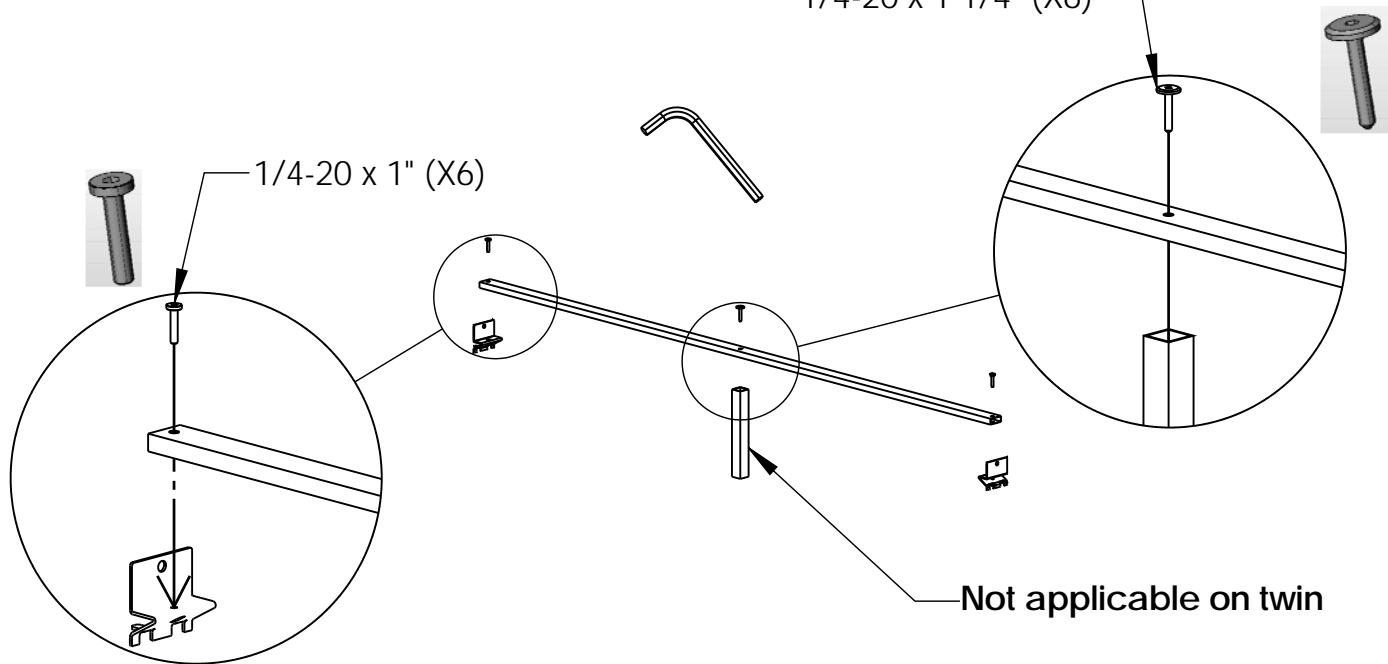
This bag contains small parts that present a choking hazard for children under 3 years of age. These parts are for adult assembly only and should be permanently affixed to the furniture. Any unused parts should be discarded properly.

DWG#: 133039		11/25/2008	
Rev.	Description	Date	Cad/Eng

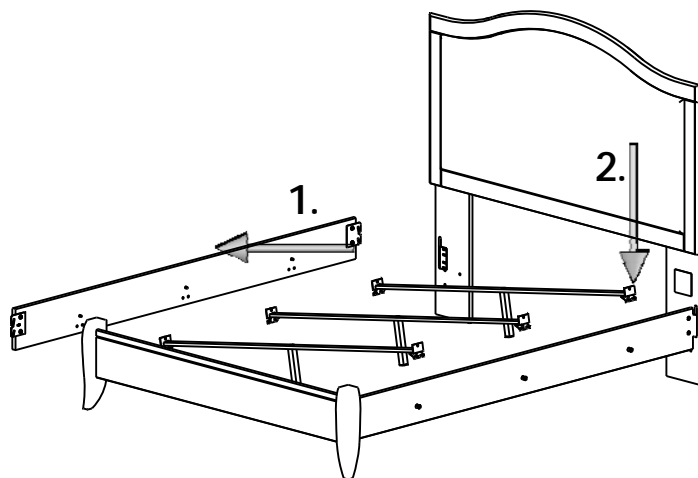


1/4-20 x 1 1/4" (X6)

1/4-20 x 1" (X6)



Your headboard may look different than the one shown



Your headboard may look different than the one shown

