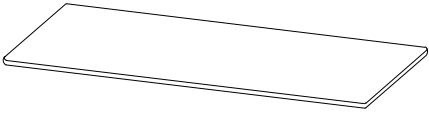
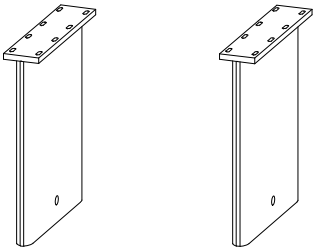
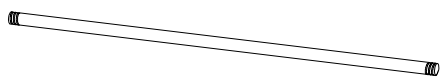


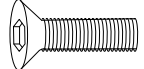



ASSEMBLY INSTRUCTIONS

Thank you for purchasing this quality product. Be sure to check all packing material carefully for small parts, which may have come loose inside the carton during shipment. Identify and count all parts and compare with the hardware and parts list below

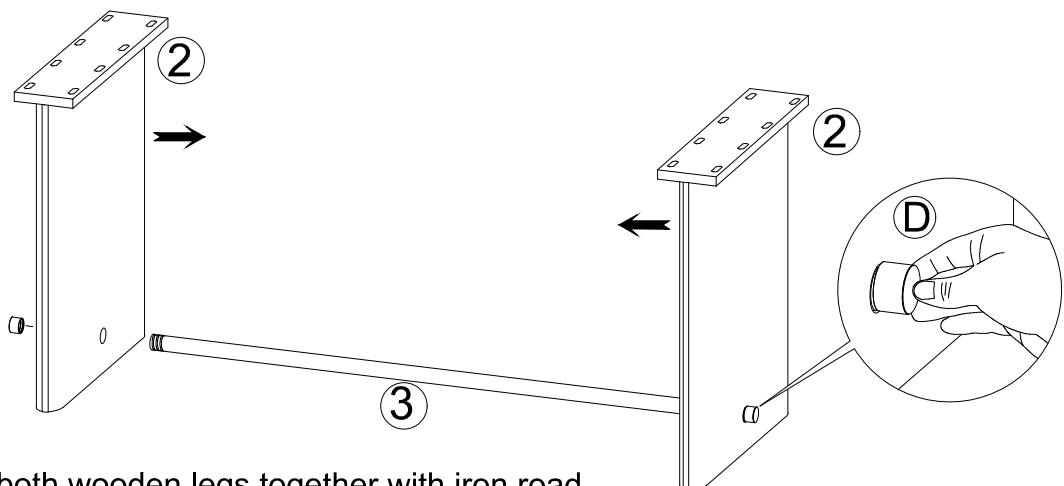
Part List

Label	Picture	Description	Qty.
1.		WOODEN TOP	1 Pc
2.		WOODEN LEG	2 Pcs
3.		IRON ROAD	1 Pcs

HARDWARE LIST :

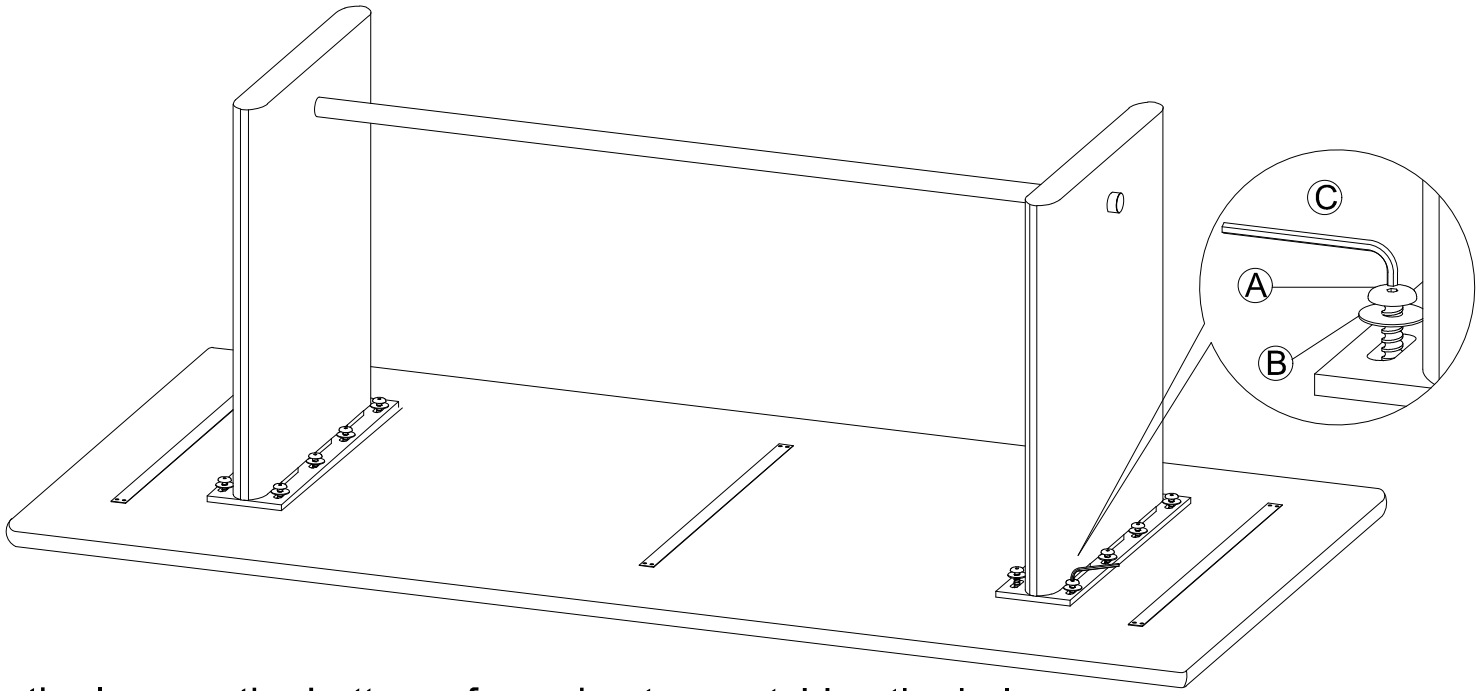
Label	Picture	Description	Qty.
A		ALLEN BOLT	16 Pcs.
B		WASHER	16 Pcs.
C		ALLEN KEY	1 Pc.
D		IRON CAP	2 Pcs.

STEP-1



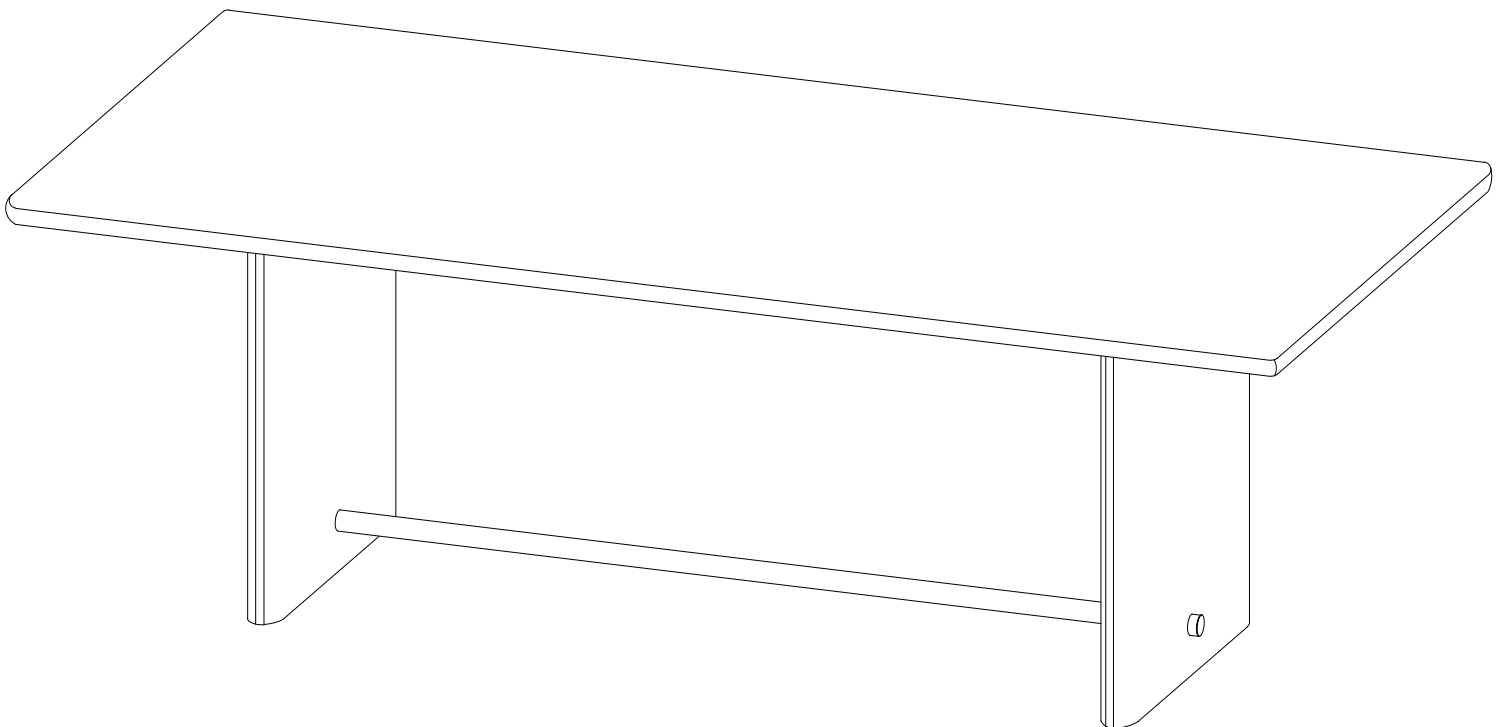
Join the both wooden legs together with iron road.
tighten the both from side as below image

STEP-2



flip the legs on the bottom of wooden top matching the holes
to fix the bolts tighten the them as required

flip the table to use



COMPLETELY ASSEMBLED