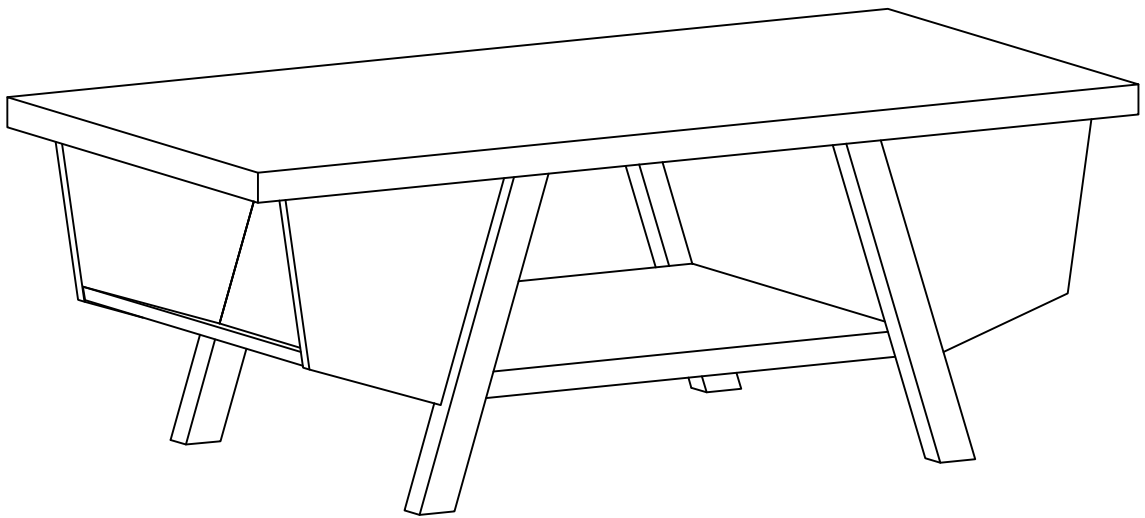


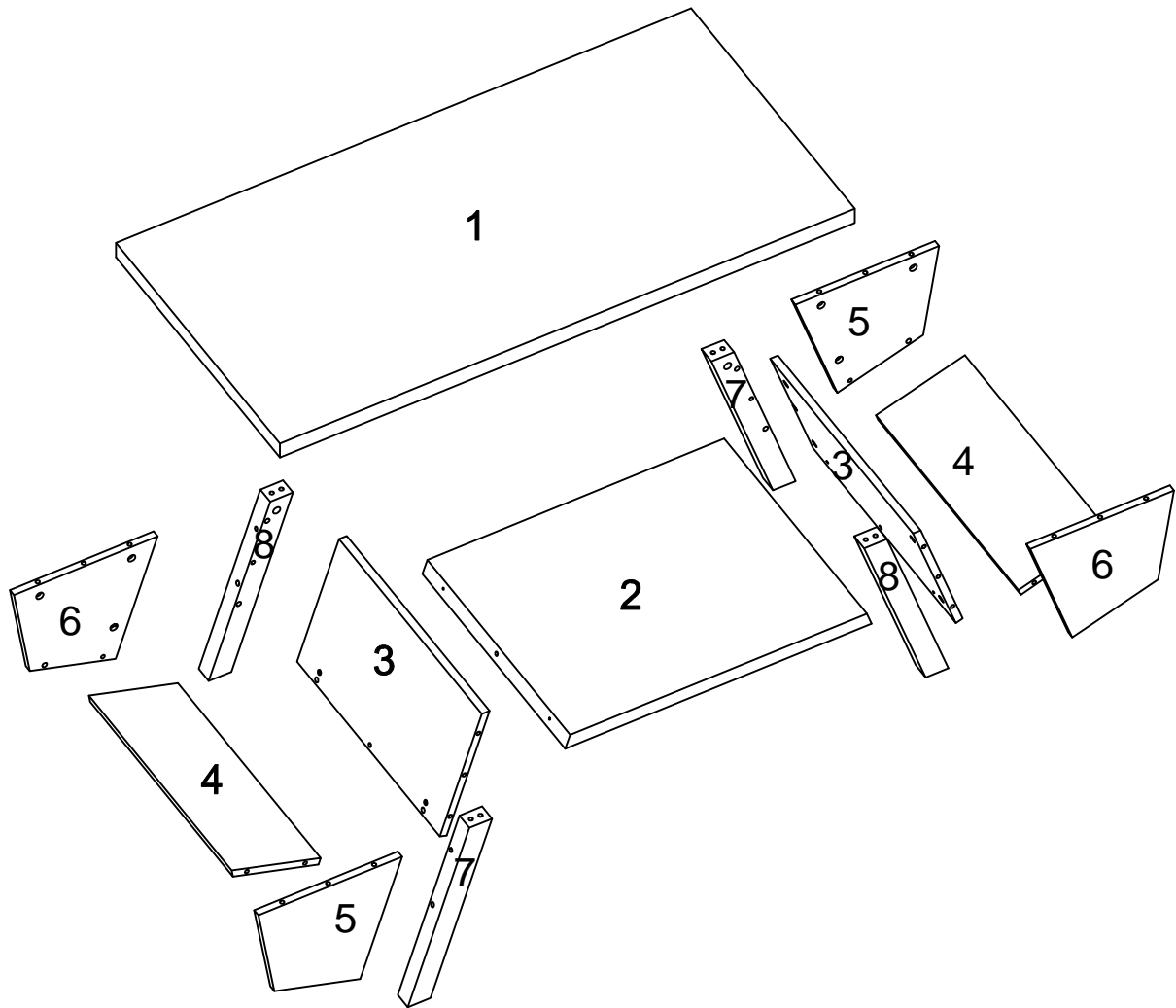
ASSEMBLY INSTRUCTIONS / INSTRUCTIONS D'ASSEMBLAGE

ITEM NO/NO ARTICLE: MALIKCTB/161821CT



PARTS IDENTIFICATIONS / IDENTIFICATION DES PIECES

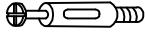


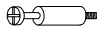

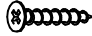


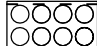

ITEM NO/NO ARTICLE: MALIKCTB/161821CT



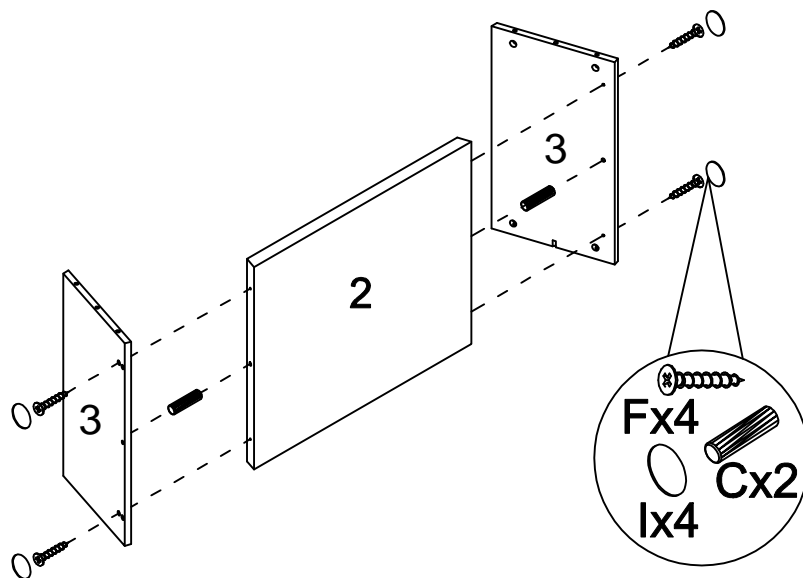
(1)	1pc/pec	(5)	2pcs/pecs
(2)	1pc/pec	(6)	2pcs/pecs
(3)	2pcs/pecs	(7)	2pcs/pecs
(4)	2pcs/pecs	(8)	2pcs/pecs

HARDWARE IDENTIFICATIONS/ IDENTIFICATION DU KIT D'ASSEMBLAGE

ITEM NO/NO ARTICLE: MALIKCTB/161821CT

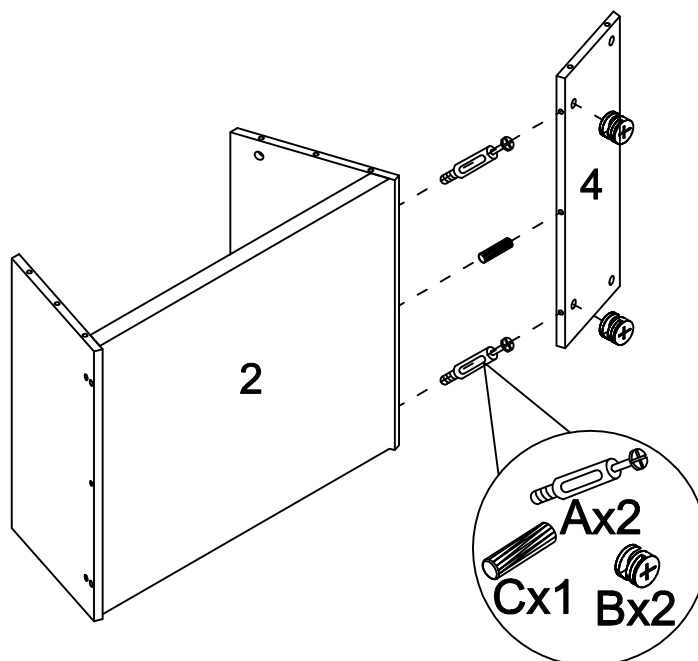
A		L29	28pcs/pecs
B		Φ 15	28pcs/pecs
C		Φ 8x25	20pcs/pecs
D		L24	8pcs/pecs
E		Φ 12	8pcs/pecs
F		Φ 4x45	4pcs/pecs
G		Φ 16	4pcs/pecs
H		Φ 22 (WH3)	4pcs/pecs
I		Φ 22 (DTP)	32pcs/pecs
J		<p>Glue: For securing please apply to wood dowel first before inserting into panel. Colle: Appliquez de la colle sur les goujons en bois avant de les insérer dans le panneau.</p>	1pc/pec

ITEM NO/NO ARTICLE: MALIKCTB/161821CT

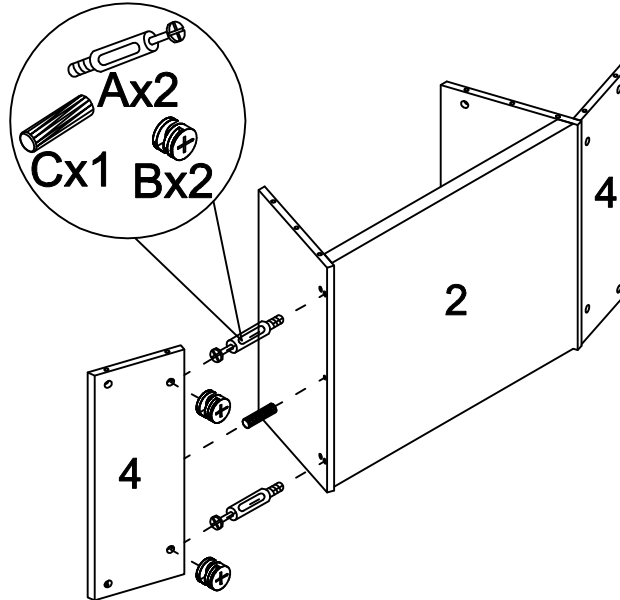


STEP 1 / ETAPE 1

STEP 2 / ETAPE 2

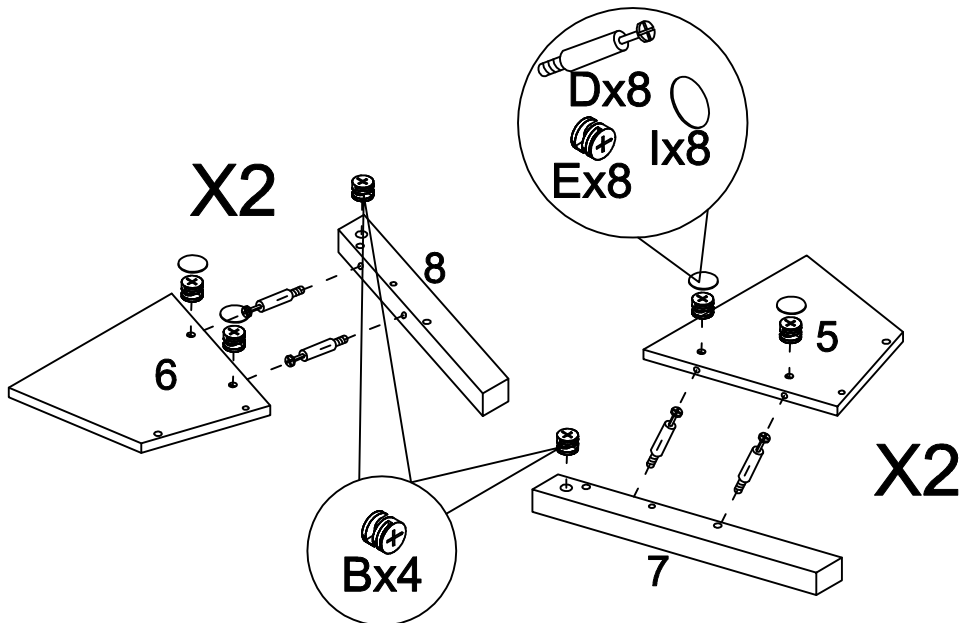


ITEM NO/NO ARTICLE: MALIKCTB/161821CT

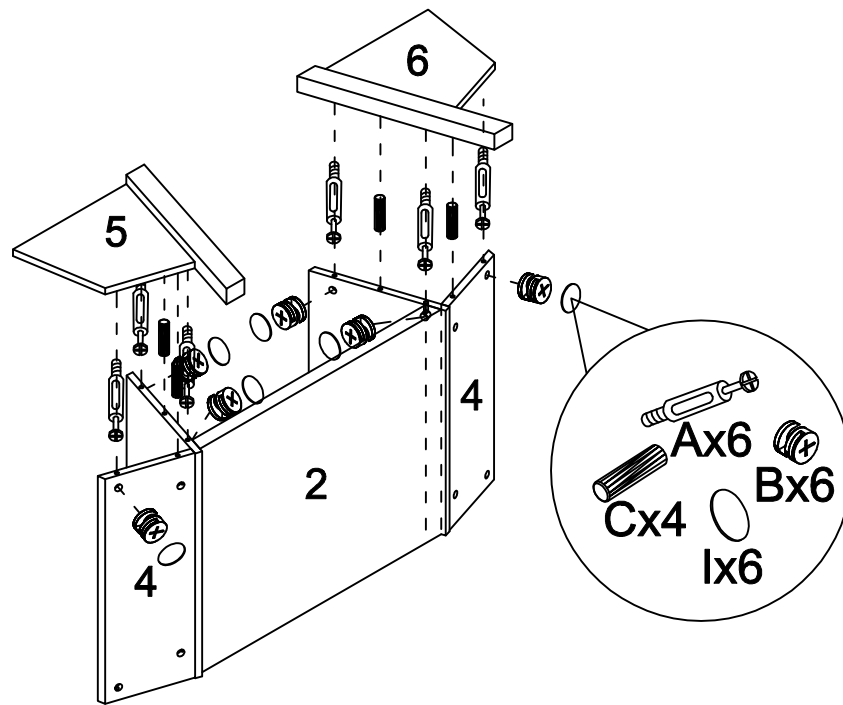


STEP 3 / ETAPE 3

STEP 4 / ETAPE 4

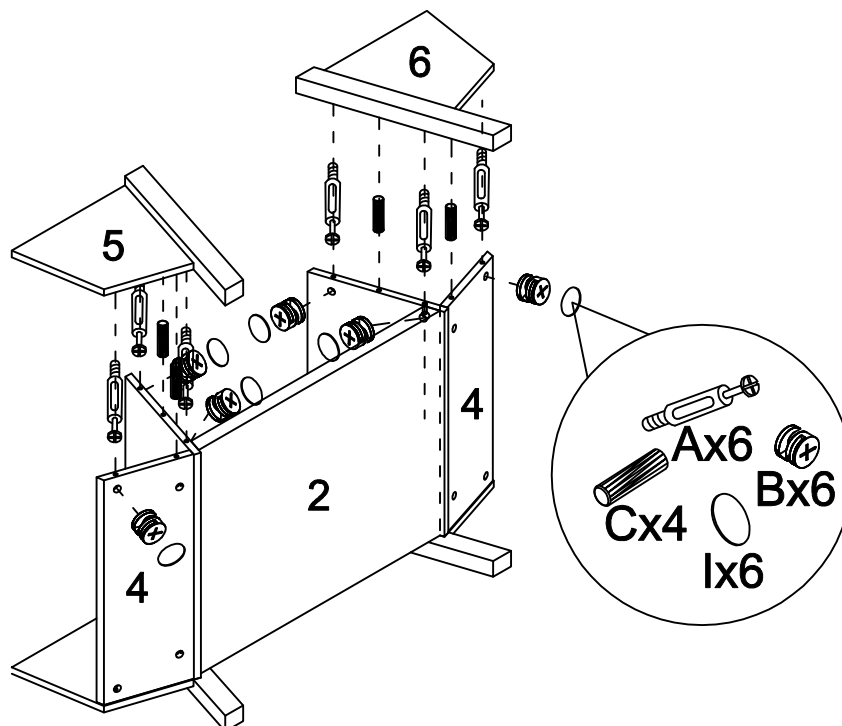


ITEM NO/NO ARTICLE: MALIKCTB/161821CT



STEP 5 / ETAPE 5

STEP 6 / ETAPE 6



ITEM NO/NO ARTICLE: MALIKCTB/161821CT

STEP 7 / ETAPE 7

