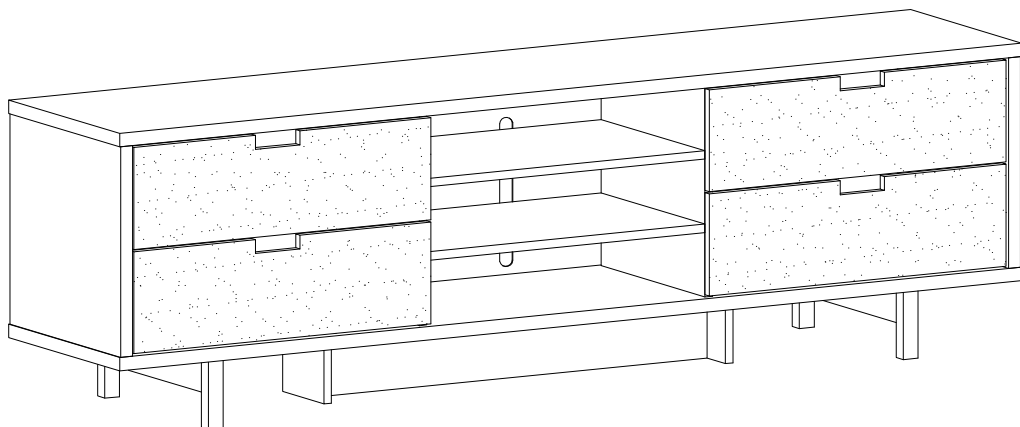


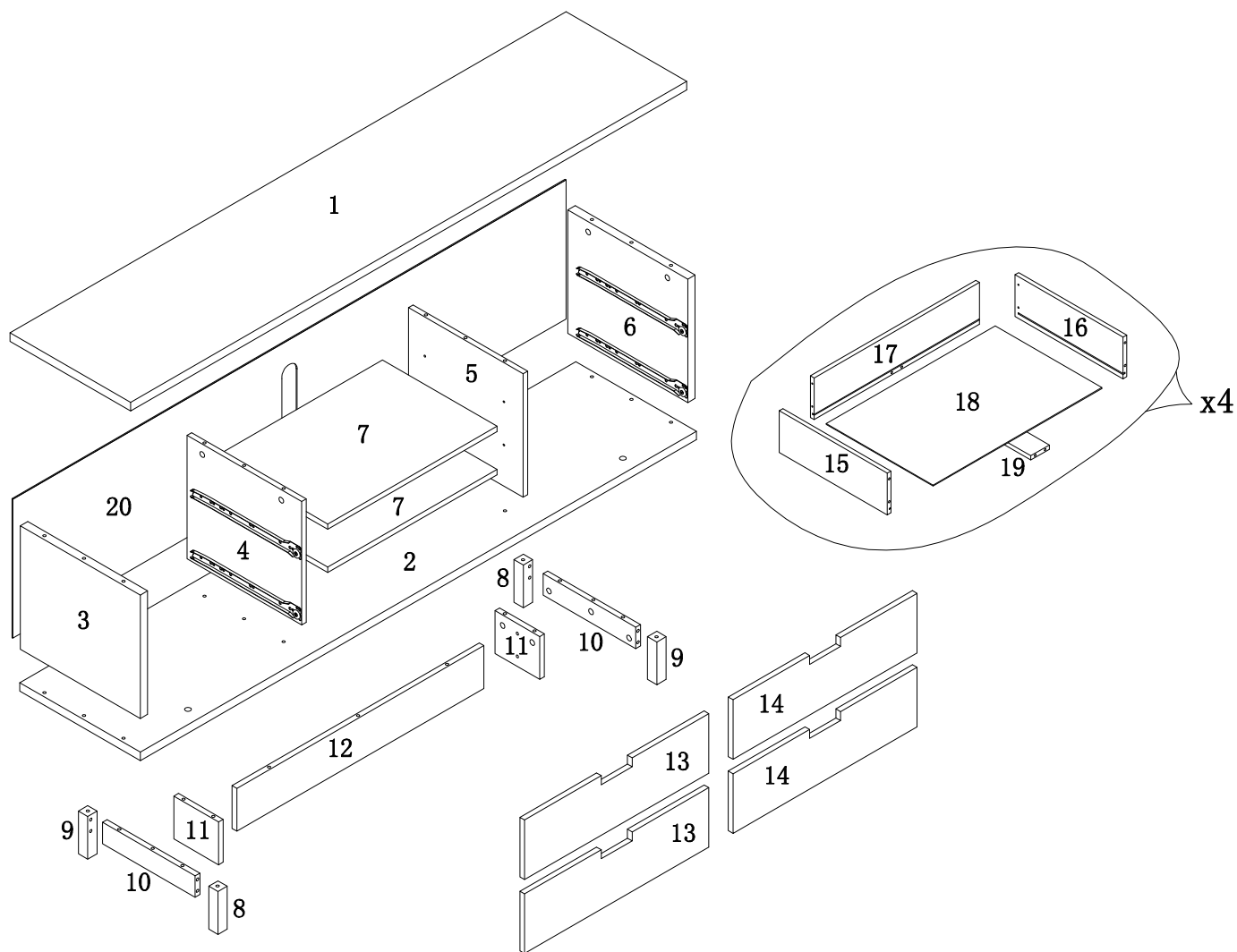
ASSEMBLY INSTRUCTIONS / INSTRUCTIONS D'ASSEMBLAGE

ITEM NO/NO ARTICLE: LOV71TVS/151359



PARTS IDENTIFICATIONS / IDENTIFICATION DES PIECES

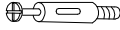

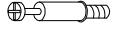






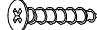
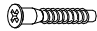


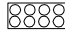



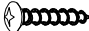
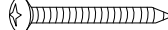

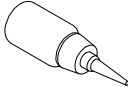
ITEM NO/NO ARTICLE: LOV71TVS/151359



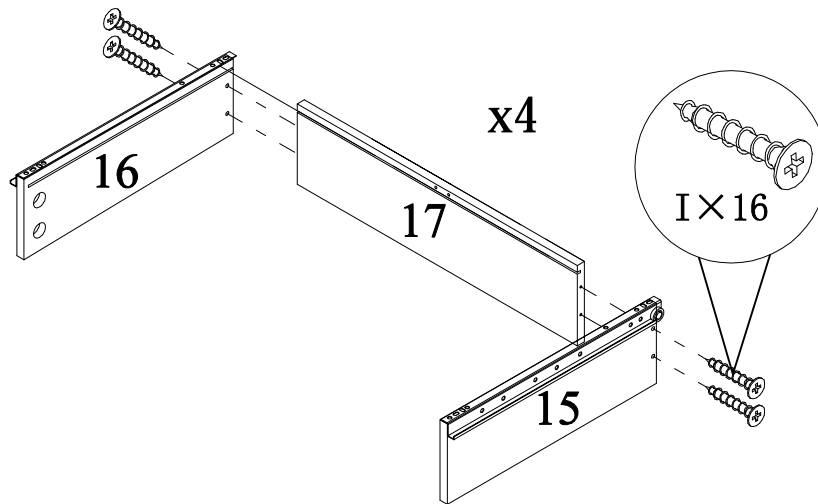
(1)	1pc/pce	(7)	2pcs/pce	(13)	2pcs/pce	(18)	4pcs/pce
(2)	1pc/pce	(8)	2pcs/pce	(14)	2pcs/pce	(19)	4pcs/pce
(3)	1pc/pce	(9)	2pcs/pce	(15)	4pcs/pce	(20)	1pc/pce
(4)	1pc/pce	(10)	2pcs/pce	(16)	4pcs/pce		
(5)	1pc/pce	(11)	2pcs/pce	(17)	4pcs/pce		
(6)	1pc/pce	(12)	1pc/pce				

HARDWARE IDENTIFICATIONS/ IDENTIFICATION DU KIT D'ASSEMBLAGE

ITEM NO/NO ARTICLE: LOV71TVS/151359

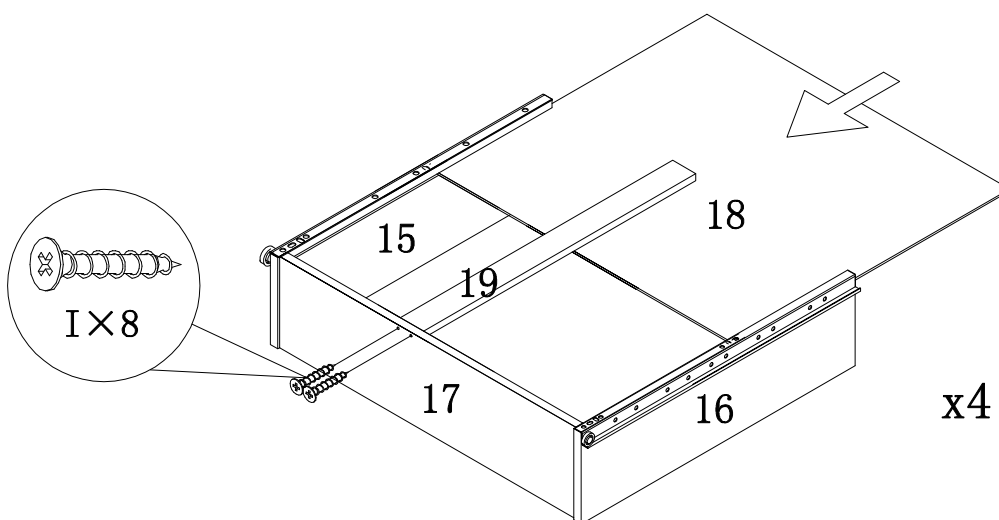
A		L29	23pcs/pces
B		∅15	23pcs/pces
C		L20	16pcs/pces
D		∅12	16pcs/pces
E		∅8x25	18pcs/pces
F		∅6x30	8pcs/pces
G		∅5	8pcs/pces
H			40pcs/pces
I		∅4x30	24pcs/pces
J		∅4x40	4pcs/pces
K		∅7x48	4pcs/pces
L		M6x30	4pcs/pces
M		∅8x16x2	4pcs/pces
N		∅20	8pcs/pces
O		∅16	9pcs/pces
P		197×5×1	1pc/pces
Q		12×12×1	2pcs/pces
R		∅4x25	1pc/pces
S		∅5x40	1pc/pces
T		∅8x40	1pc/pces
U		Glue: For securing please apply to wood dowel first before inserting into panel. Colle: Appliquez de la colle sur les goujons en bois avant de les insérer dans le panneau.	1pc/pces

ITEM NO/NO ARTICLE: LOV71TVS/151359

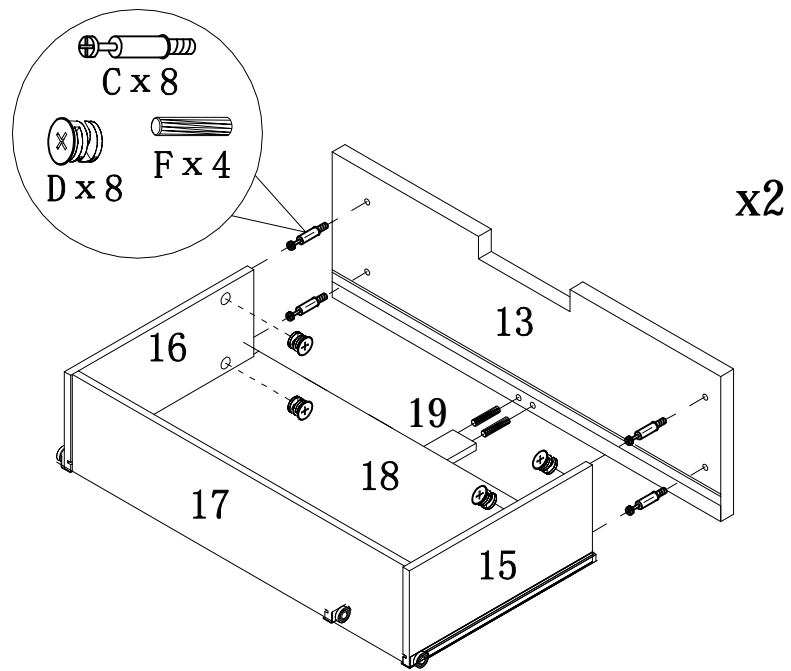


STEP 1 / ETAPE 1

STEP 2 / ETAPE 2

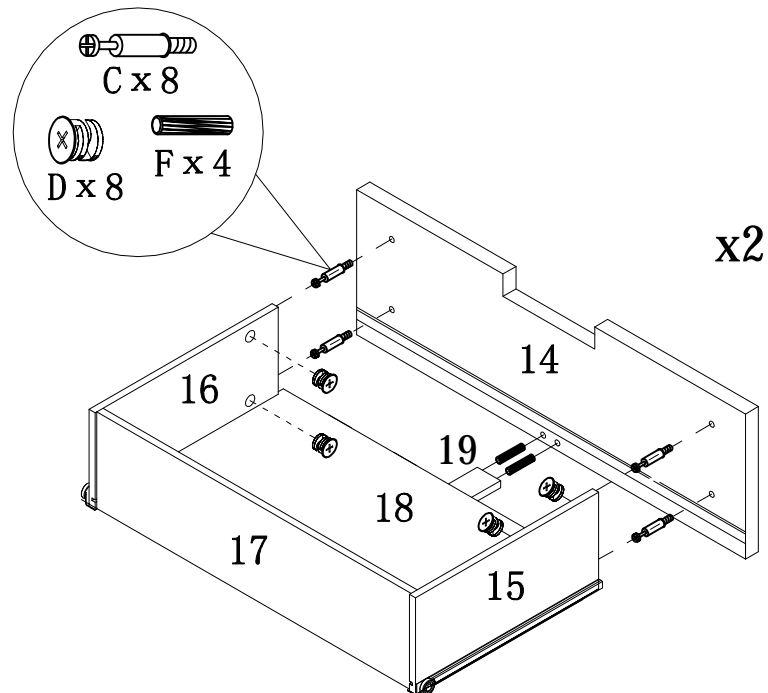


ITEM NO/NO ARTICLE: LOV71TVS/151359

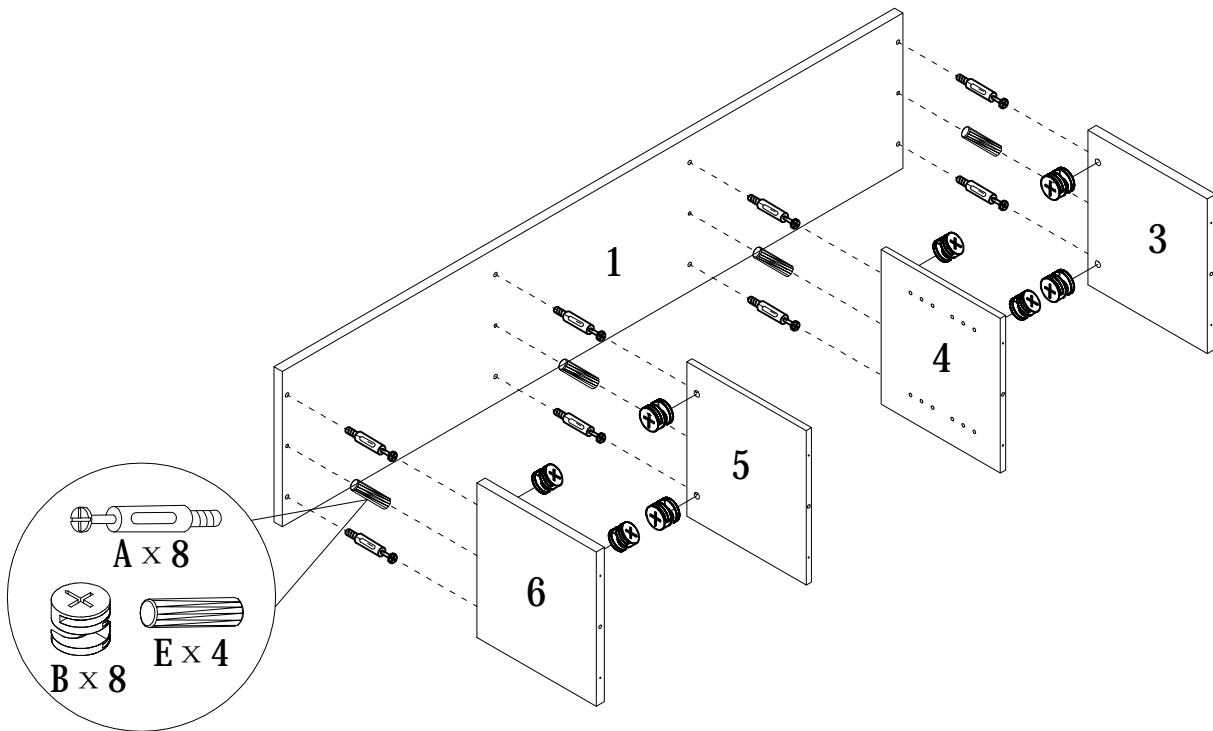


STEP 3 / ETAPE 3

STEP 4 / ETAPE 4

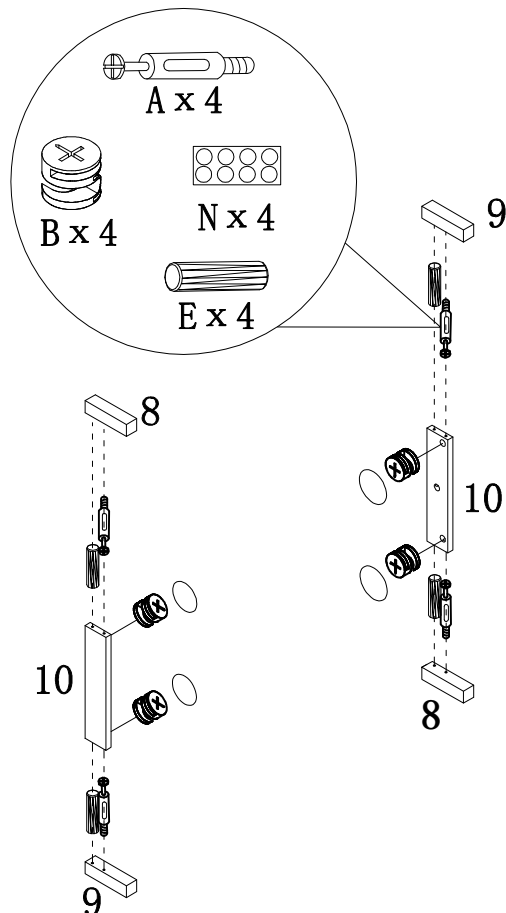


ITEM NO/NO ARTICLE: LOV71TVS/151359

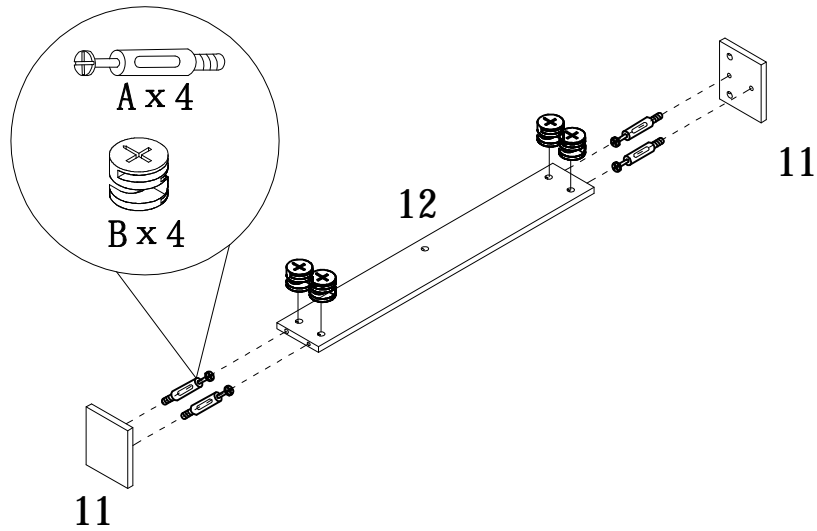


STEP 5 / ETAPE 5

STEP 6 / ETAPE 6

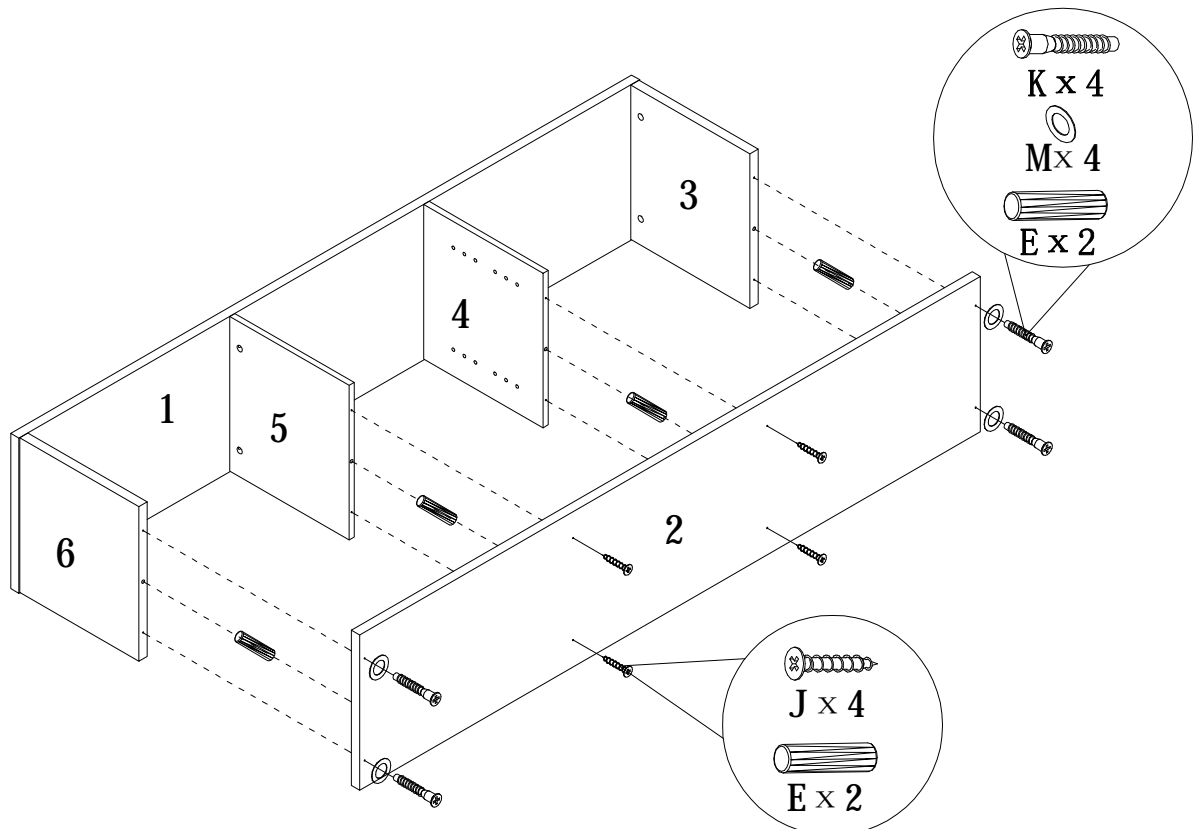


ITEM NO/NO ARTICLE: LOV71TVS/151359

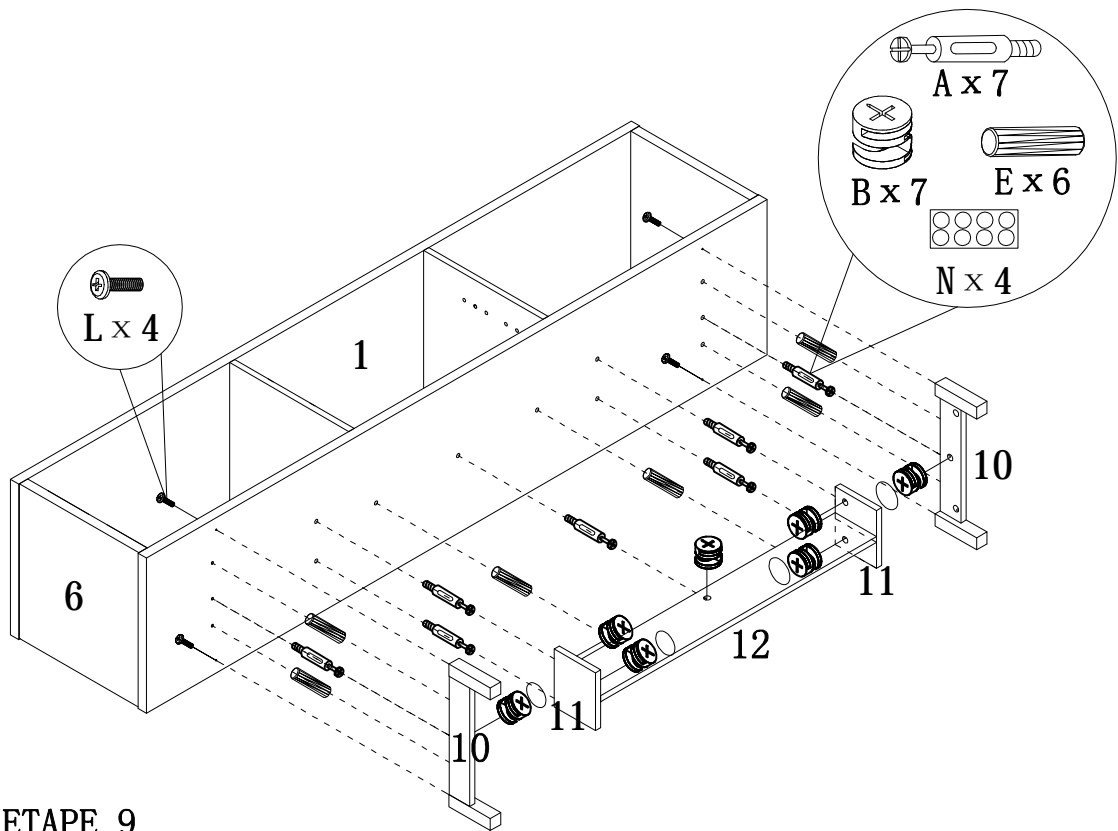


STEP 7 / ETAPE 7

STEP 8 / ETAPE 8

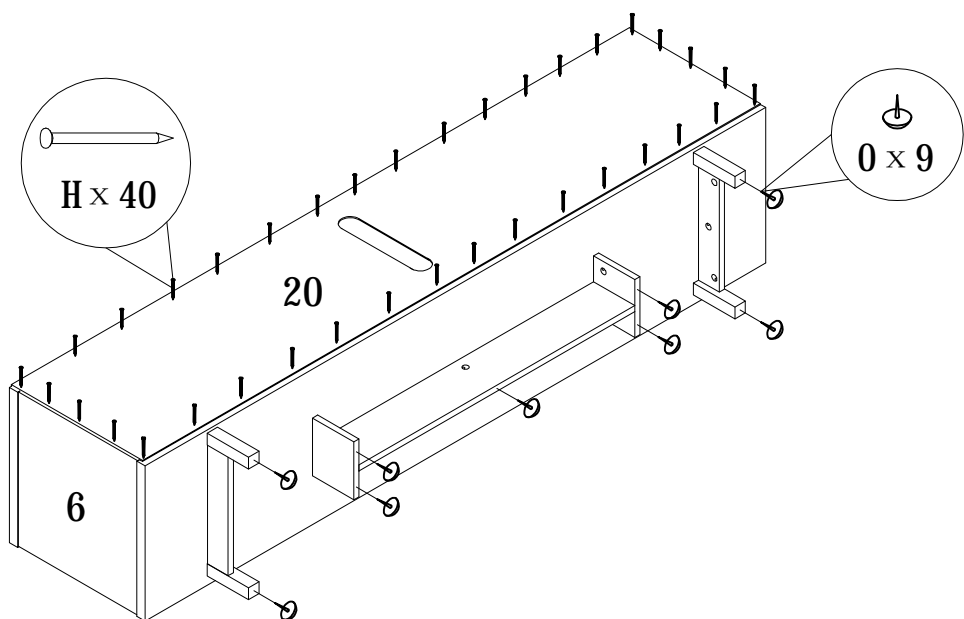


ITEM NO/NO ARTICLE: LOV71TVS/151359

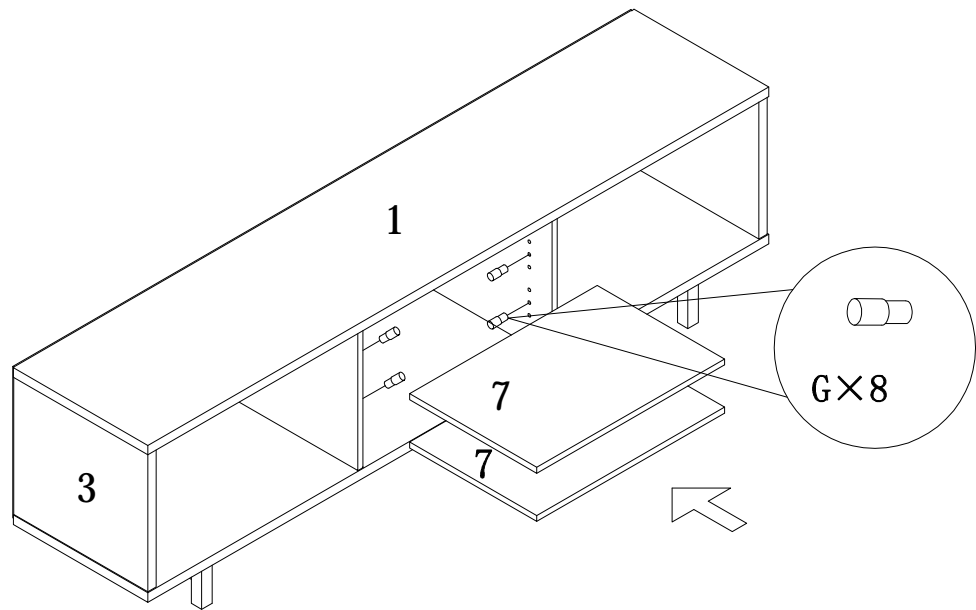


STEP 9 / ETAPE 9

STEP 10 / ETAPE 10

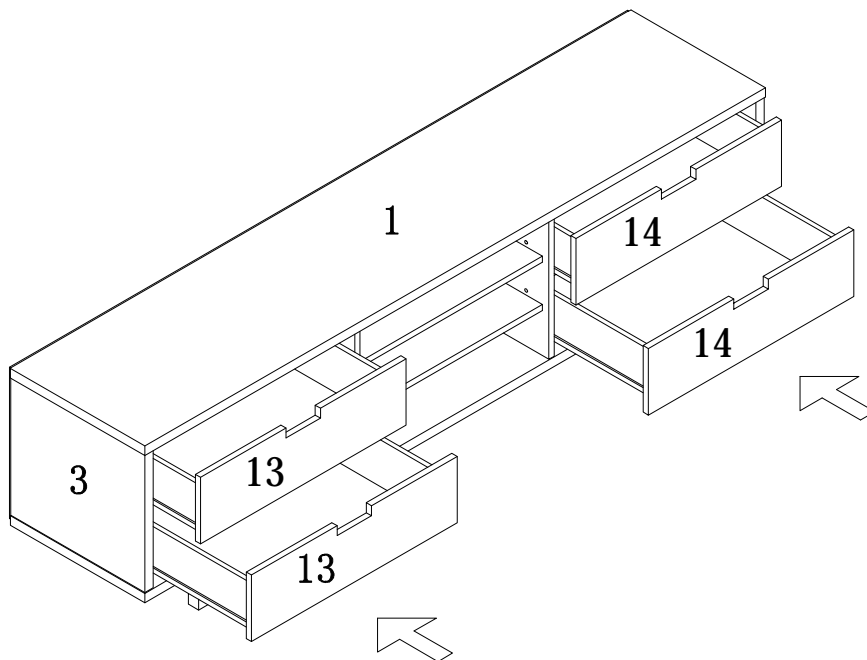


ITEM NO/NO ARTICLE: LOV71TVS/151359



STEP 11 / ETAPE 11

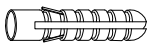
STEP 12 / ETAPE 12



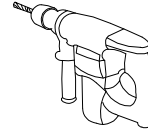
ANTI-TIPPING STRAP INSTRUCTION

HARDWARE (INCLUDED) :

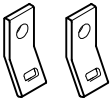
TOOLS NEEDED (NOT INCLUDED)



DRYWALL ANCHOR $\phi 8 \times 40$ X 1PC



DRILL & DRILL BIT



METAL BRACKETS $12 \times 12 \times 1$ X 2PCS



LIGHT HAMMER



DRYWALL SCREW $\phi 5 \times 40$ X 1PC



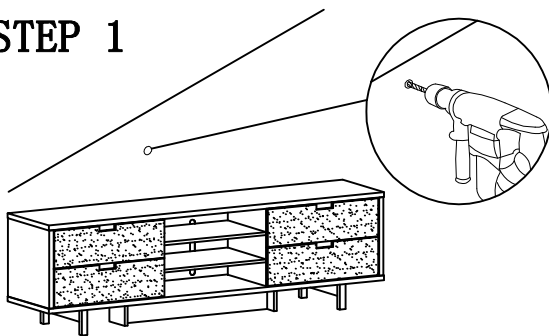
STRAP $197 \times 5 \times 1$ X 1PC



FLATHEAD SCREW $\phi 4 \times 25$ X 1PC

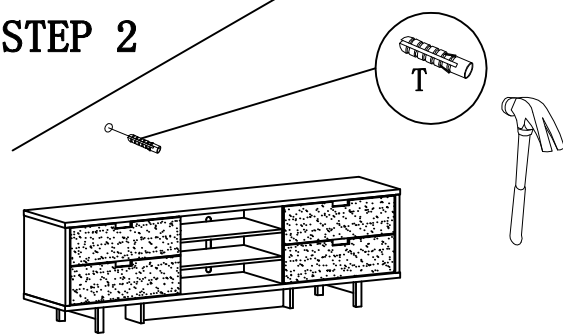
Note: Hardware included only compatible with standard drywalls.

STEP 1



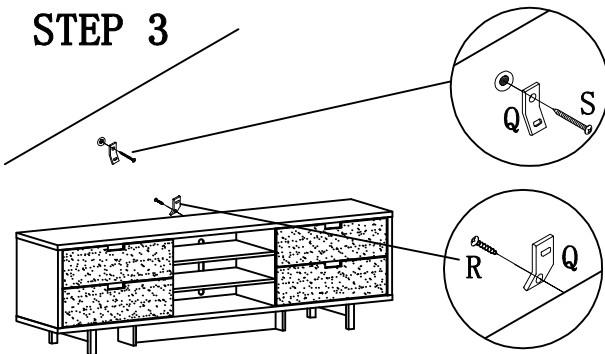
1. Find spot on wall 1" below top of item.
2. Using a drill bit slightly thinner than anchor, drill hole into drywall.

STEP 2



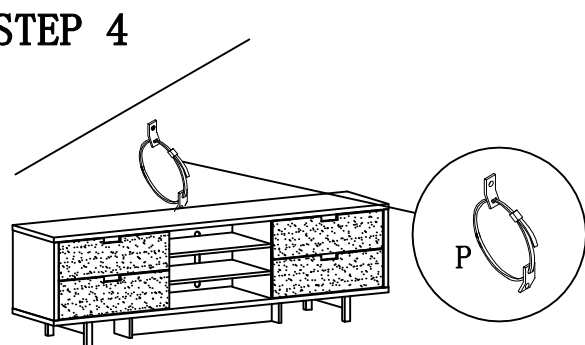
1. Use a light hammer to tap anchor into hole.
2. Anchor should fit snugly. If hole is too small, drill again to increase hole size. Do not force anchor into wall.

STEP 3



1. Insert drywall screw into metal bracket and into drywall anchor.
2. Insert flathead screw into second metal bracket and into back of item along top edge.

STEP 4



1. Insert strap thru bracket attached to wall, then thru bracket on item, and into head of strap.
 2. pull lightly til strap stops.
- Assembly is complete.