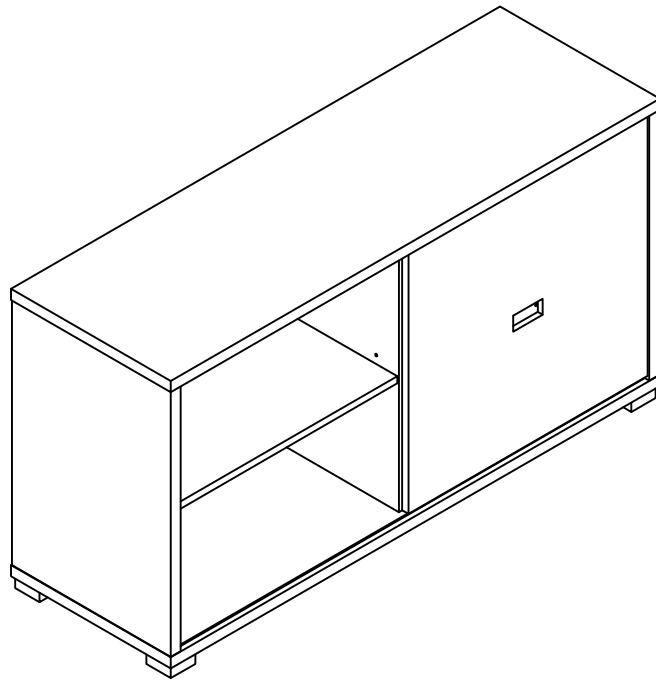


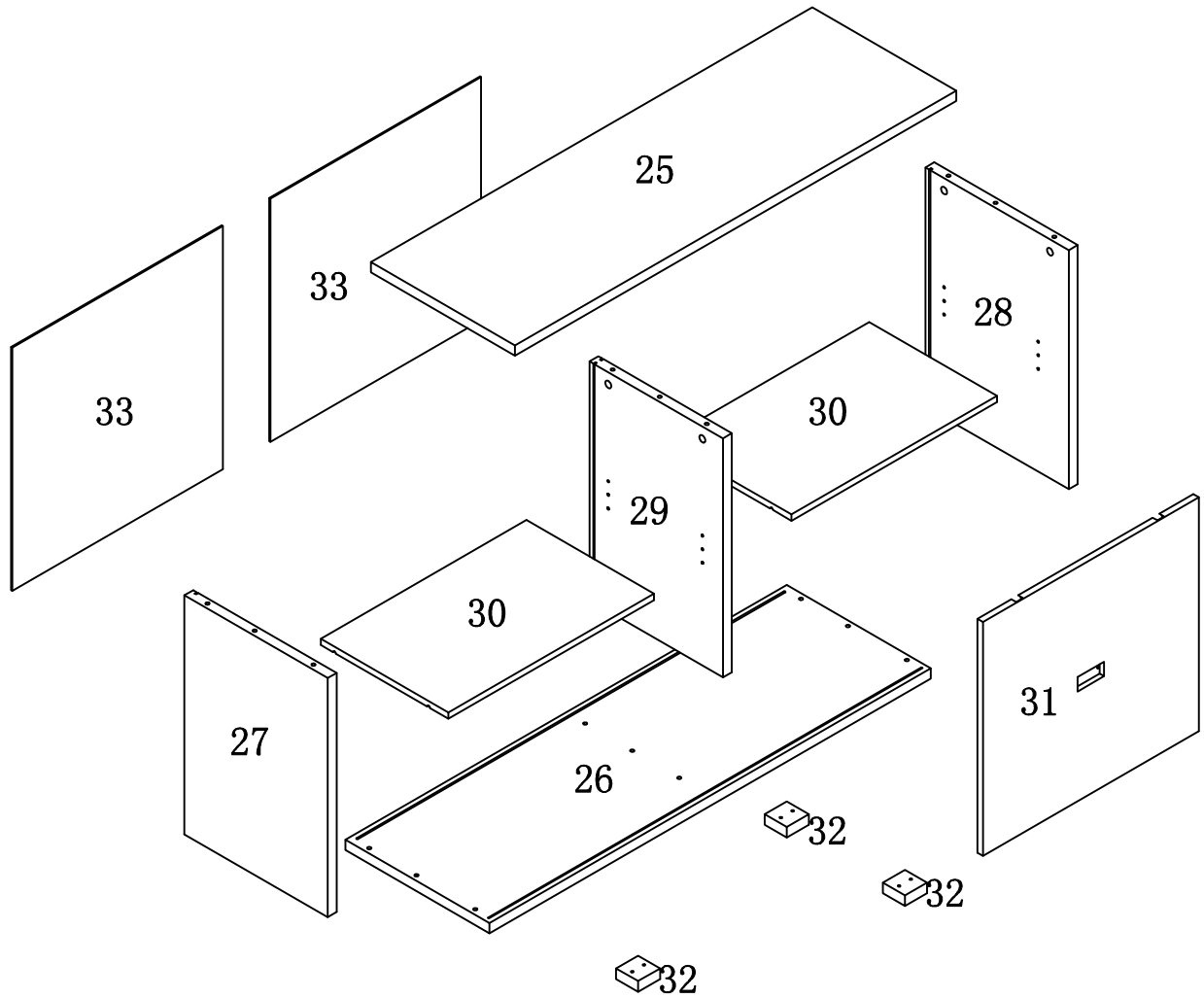
ASSEMBLY INSTRUCTIONS /
INSTRUCTIONS D'ASSEMBLAGE

ITEM NO/NO ARTICLE:JUDE2DSK/192546B



PARTS IDENTIFICATIONS / IDENTIFICATION DES PIECES

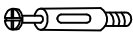


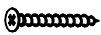
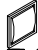





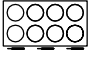

ITEM NO/NO ARTICLE:JUDE2DSK/192546B



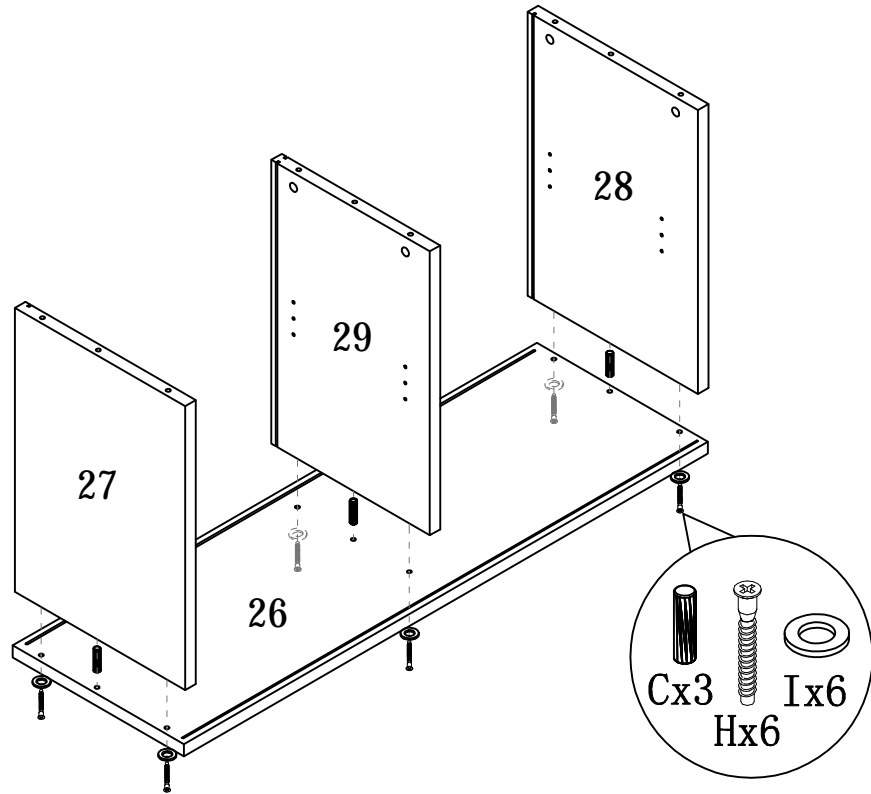
- (25) 1pc/pce
- (26) 1pc/pce
- (27) 1pc/pce
- (28) 1pc/pce
- (29) 1pc/pce
- (30) 2pcs/pces
- (31) 1pc/pce
- (32) 5pcs/pces
- (33) 2pcs/pces

HARDWARE IDENTIFICATIONS/ IDENTIFICATION DU KIT D'ASSEMBLAGE

ITEM NO/NO ARTICLE: JUDE2DSK/192546B

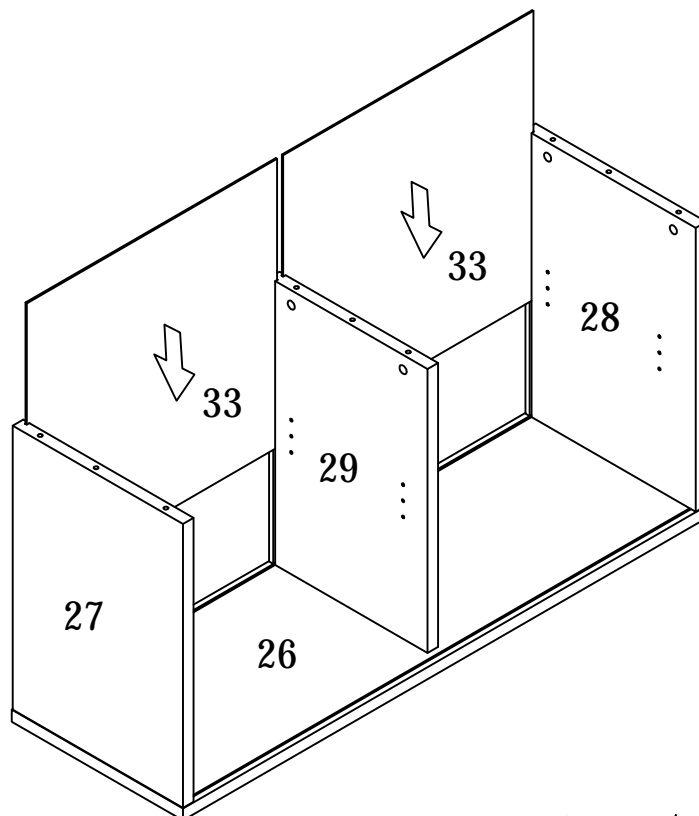
A		L29	6pcs/pces
B		Φ 15	6pcs/pces
C		Φ 8x25	6pcs/pces
D		Φ 4x35	10pcs/pces
E		64#	1pc/pce
F		M4x10	2pcs/pces
G		Φ 16	5pcs/pces
H		Φ 7x48	6pcs/pces
I		Φ 8x Φ 16x2	6pcs/pces
J		Φ 5x15	8pcs/pces
K		Φ 22	6pcs/pces
X		<p>Glue: For securing please apply to wood dowel first before inserting into panel. Colle: Appliquez de la colle sur les goujons en bois avant de les insérer dans le panneau.</p>	1pc/pce

ITEM NO/NO ARTICLE: JUDE2DSK/192546B

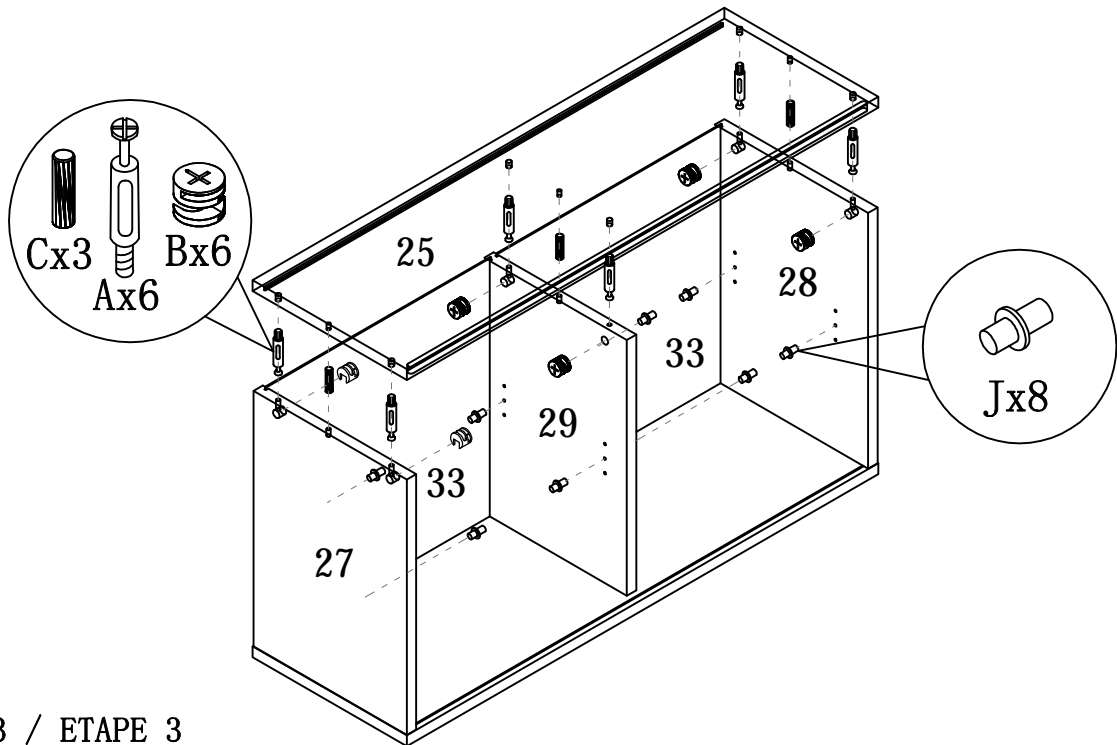


STEP 1 / ETAPE 1

STEP 2 / ETAPE 2

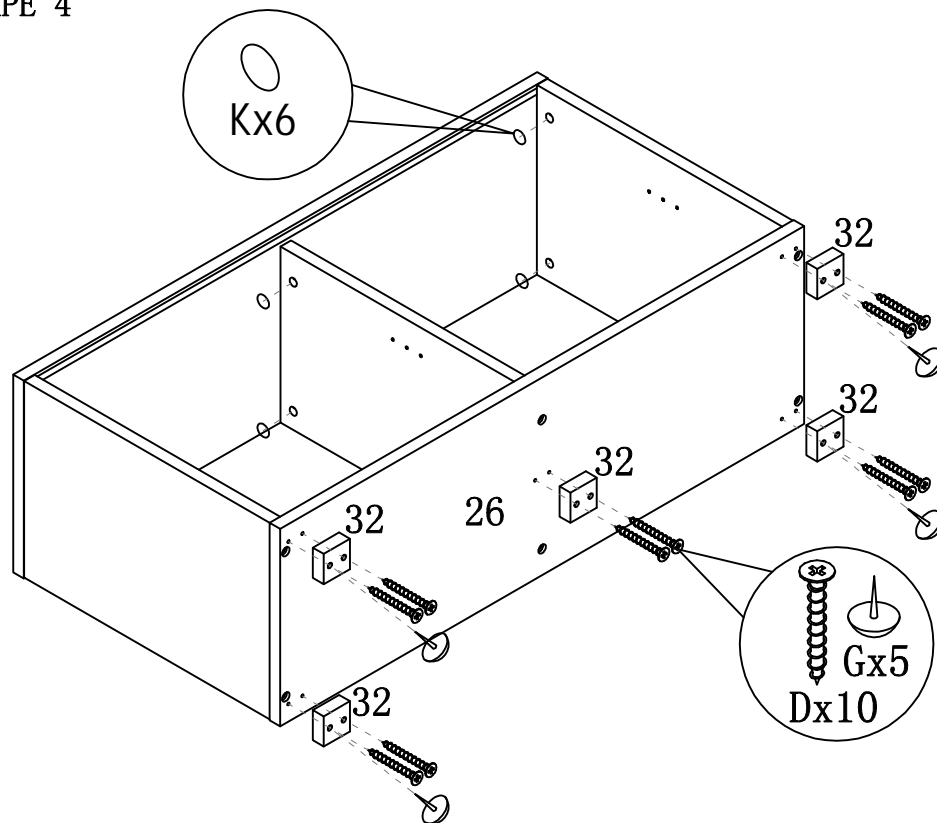


ITEM NO/NO ARTICLE: JUDE2DSK/192546B

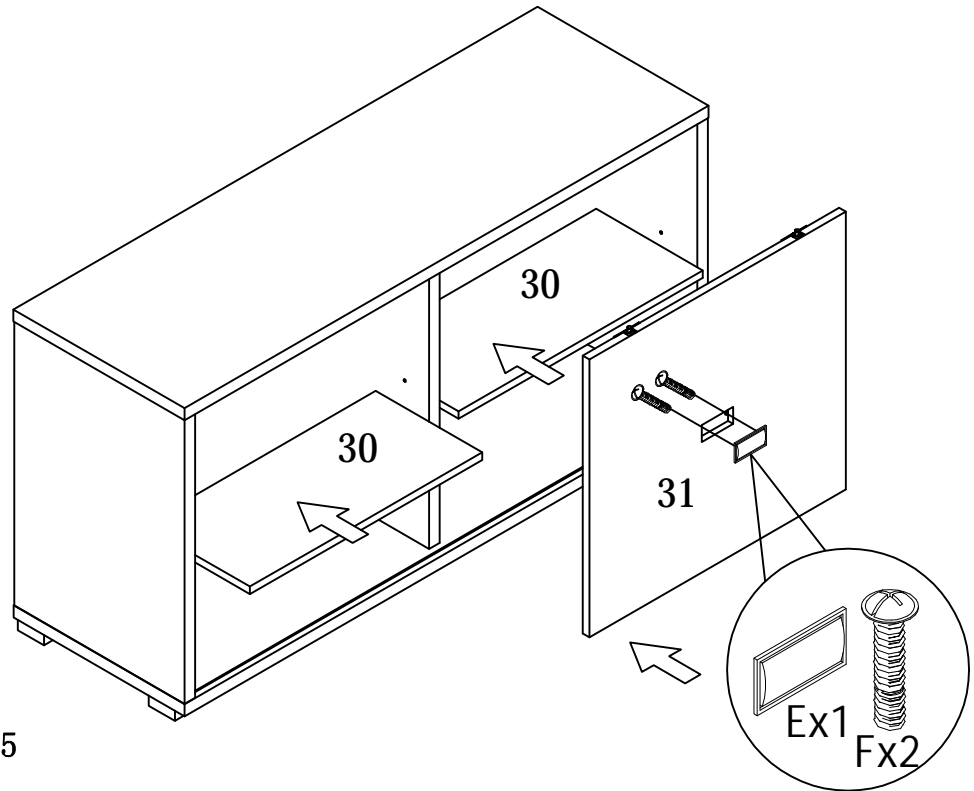


STEP 3 / ETAPE 3

STEP 4 / ETAPE 4

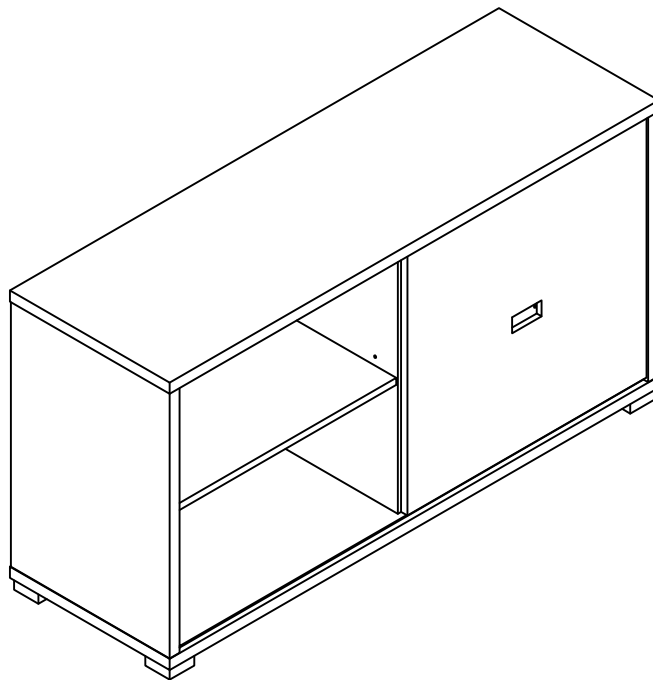


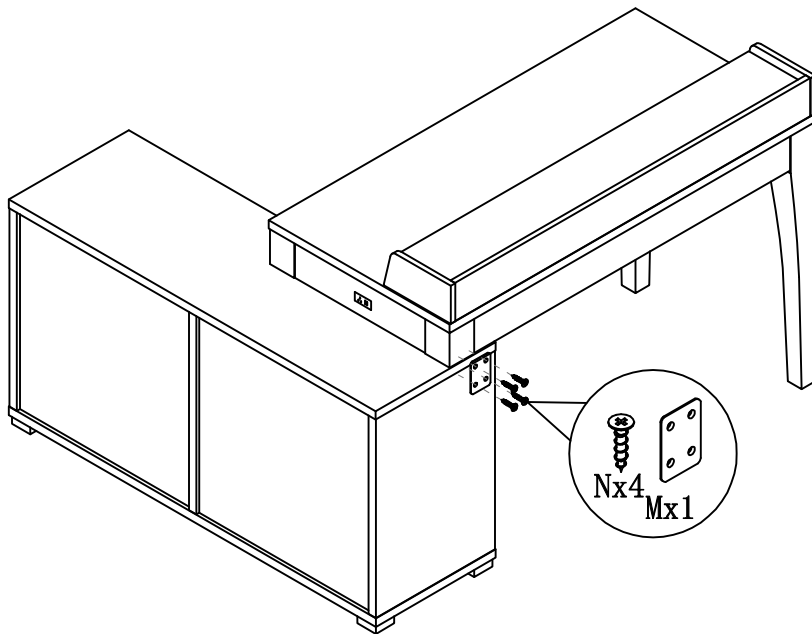
ITEM NO/NO ARTICLE: JUDE2DSK/192546B



STEP 5 / ETAPE 5

STEP 6 / ETAPE 6





STEP 7 / ETAPE 7

STEP 8 / ETAPE 8

