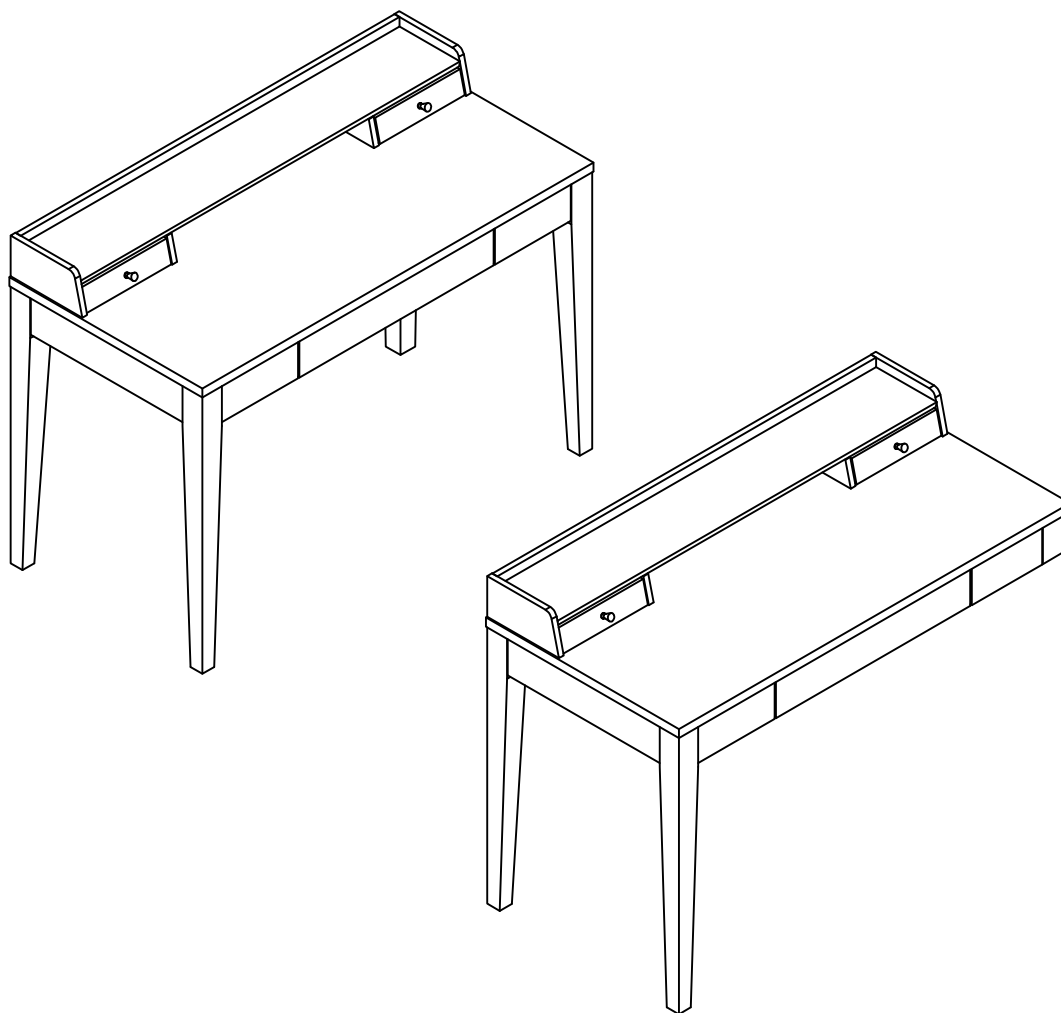


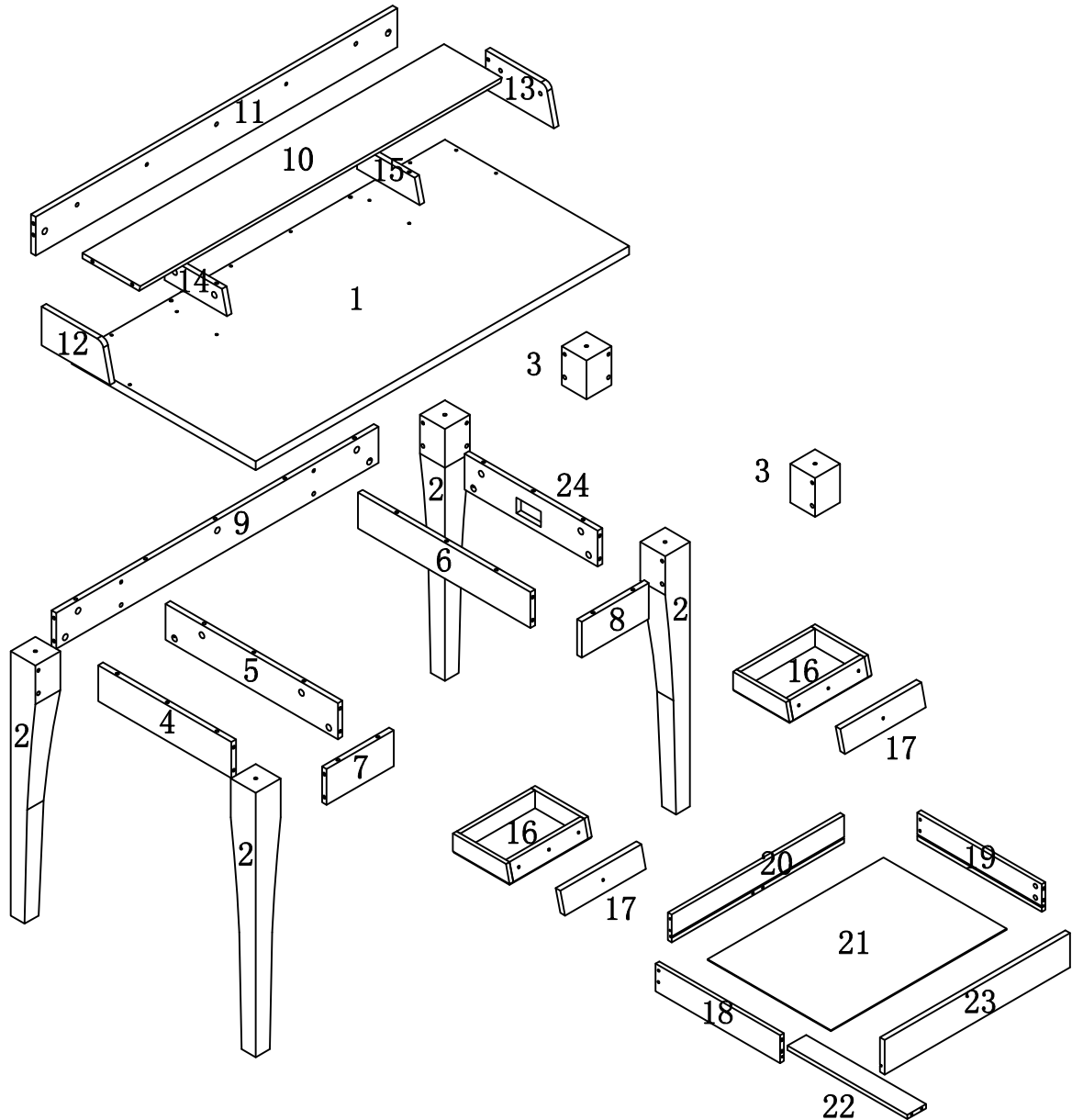
ASSEMBLY INSTRUCTIONS /  
INSTRUCTIONS D'ASSEMBLAGE

ITEM NO/NO ARTICLE:JUDE1DSK/192546A



# PARTS IDENTIFICATIONS / IDENTIFICATION DES PIECES

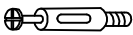
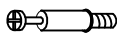




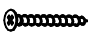
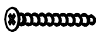
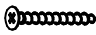








ITEM NO/NO ARTICLE:JUDE1DSK/192546A



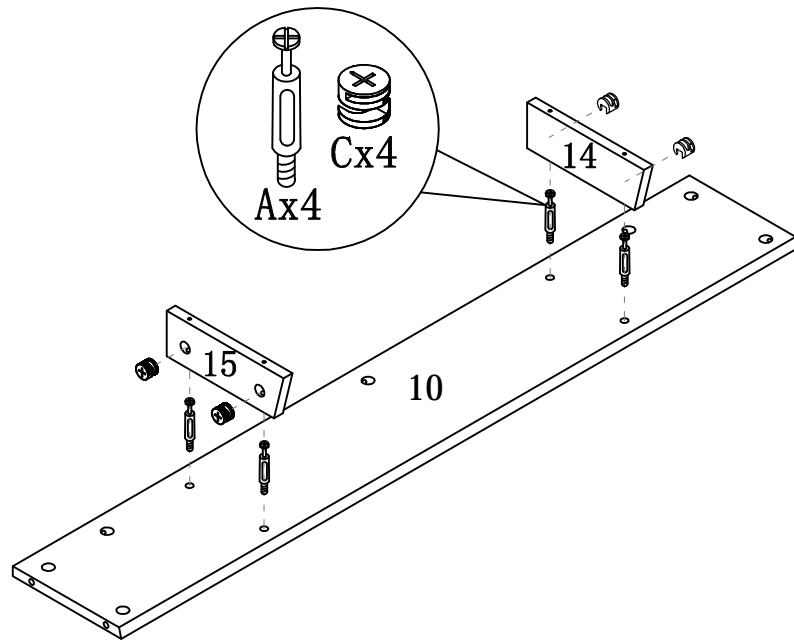
(1)	1pc/pce	(9)	1pc/pce	(17)	2pcs/pces
(2)	4pcs/pces	(10)	1pc/pce	(18)	1pc/pce
(3)	2pcs/pces	(11)	1pc/pce	(19)	1pc/pce
(4)	1pc/pce	(12)	1pc/pce	(20)	1pc/pce
(5)	1pc/pce	(13)	1pc/pce	(21)	1pc/pce
(6)	1pc/pce	(14)	1pc/pce	(22)	1pc/pce
(7)	1pc/pce	(15)	1pc/pce	(23)	1pc/pce
(8)	1pc/pce	(16)	2pcs/pces	(24)	1pc/pce

# HARDWARE IDENTIFICATIONS/ IDENTIFICATION DU KIT D'ASSEMBLAGE

ITEM NO/NO ARTICLE: JUDE1DSK/192546A

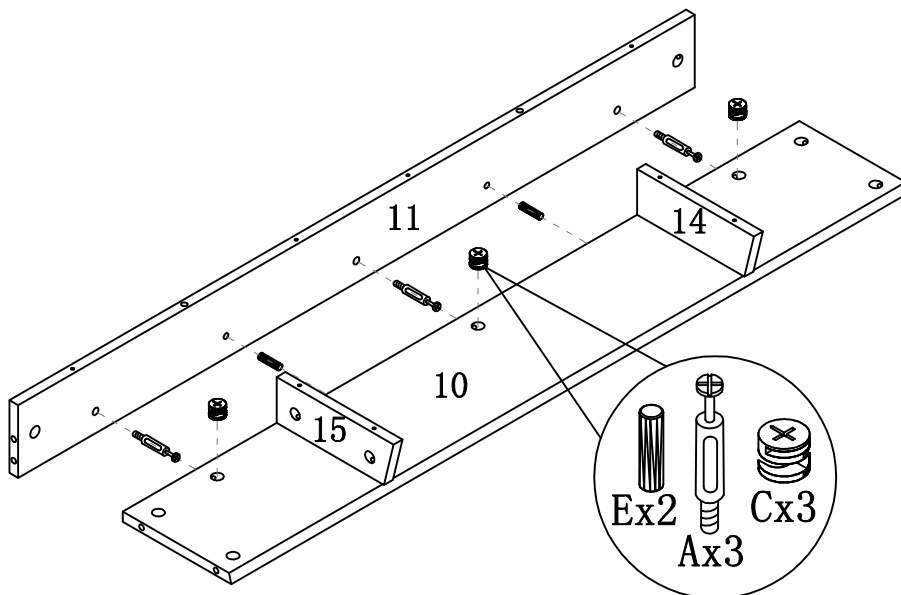
A		L29	48pcs/pces
B		L20	4pcs/pces
C		Φ 15	48pcs/pces
D		Φ 12	4pcs/pces
E		Φ 8x25	20pcs/pces
F		Φ 6x30	2pcs/pces
G		Φ 4x25	4pcs/pces
H		Φ 4x30	6pcs/pces
I		Φ 4x45	12pcs/pces
J			2pcs/pces
K		M4x35	2pcs/pces
L		Φ 16	4pcs/pces
M		70x50x2	1pc/pce
N		Φ 4x16	4pcs/pces
O		Φ 3.5x16	2pcs/pces
P			
Q		<p>Glue: For securing please apply to wood dowel first before inserting into panel. Colle: Appliquez de la colle sur les goujons en bois avant de les insérer dans le panneau.</p>	1pc/pces

ITEM NO/NO ARTICLE:JUDE1DSK/192546A

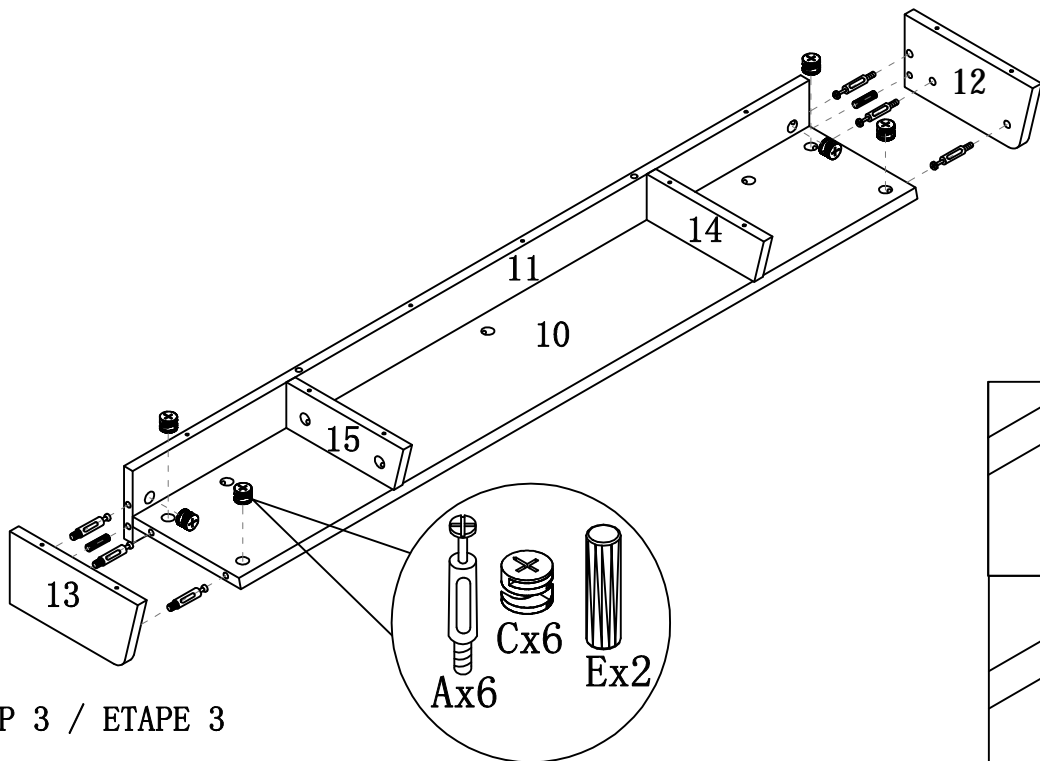


STEP 1 / ETAPE 1

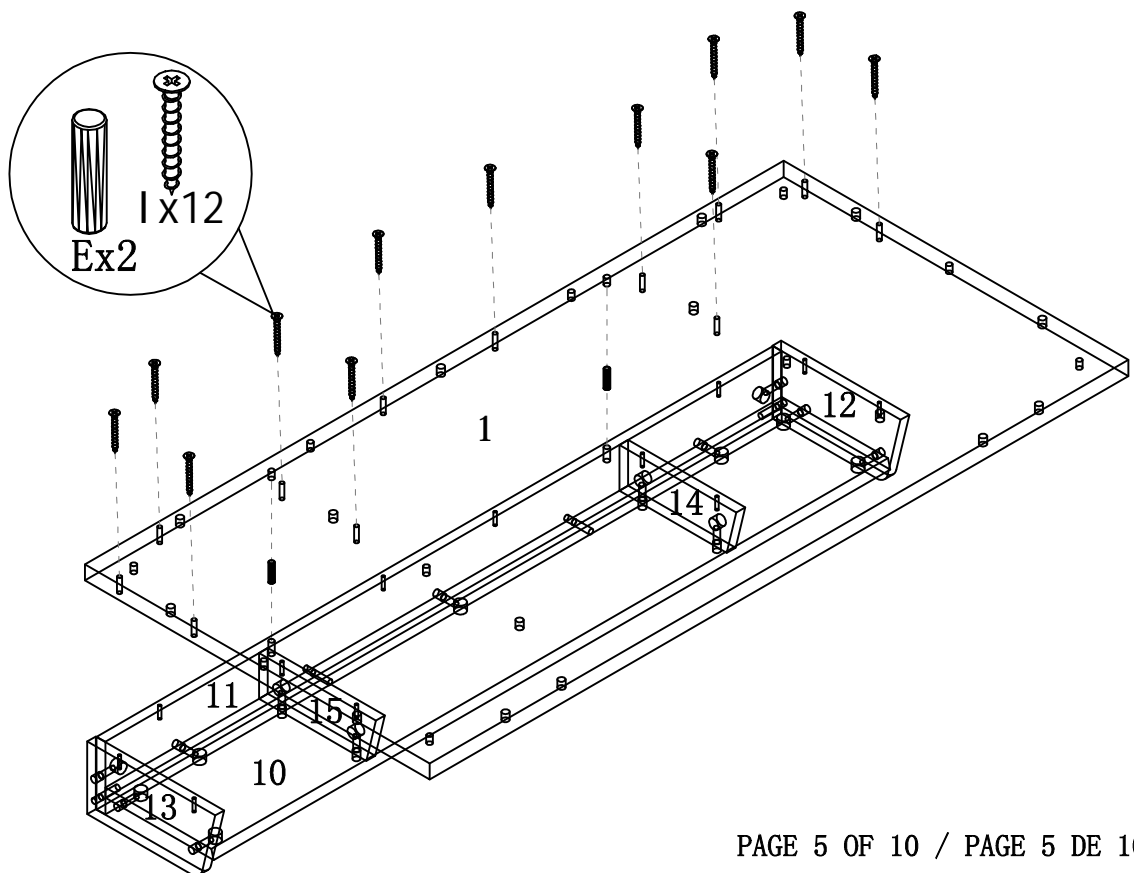
STEP 2 / ETAPE 2



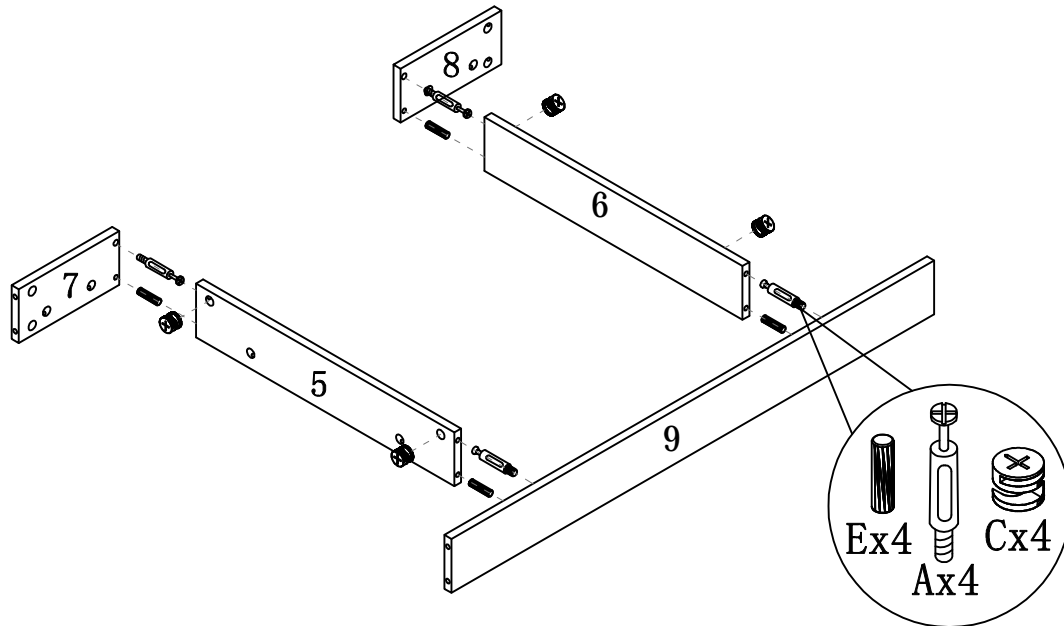
# ITEM NO/NO ARTICLE:JUDE1DSK/192546A



## STEP 4 / ETAPE 4

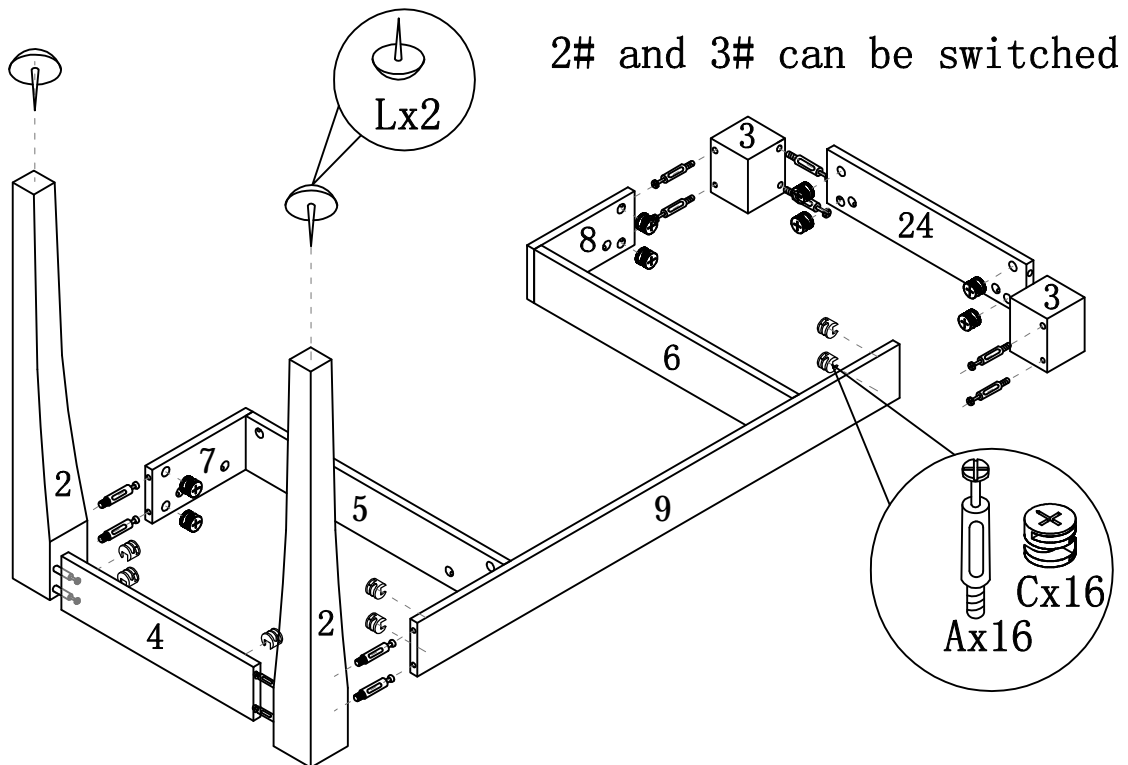


# ITEM NO/NO ARTICLE:JUDE1DSK/192546A

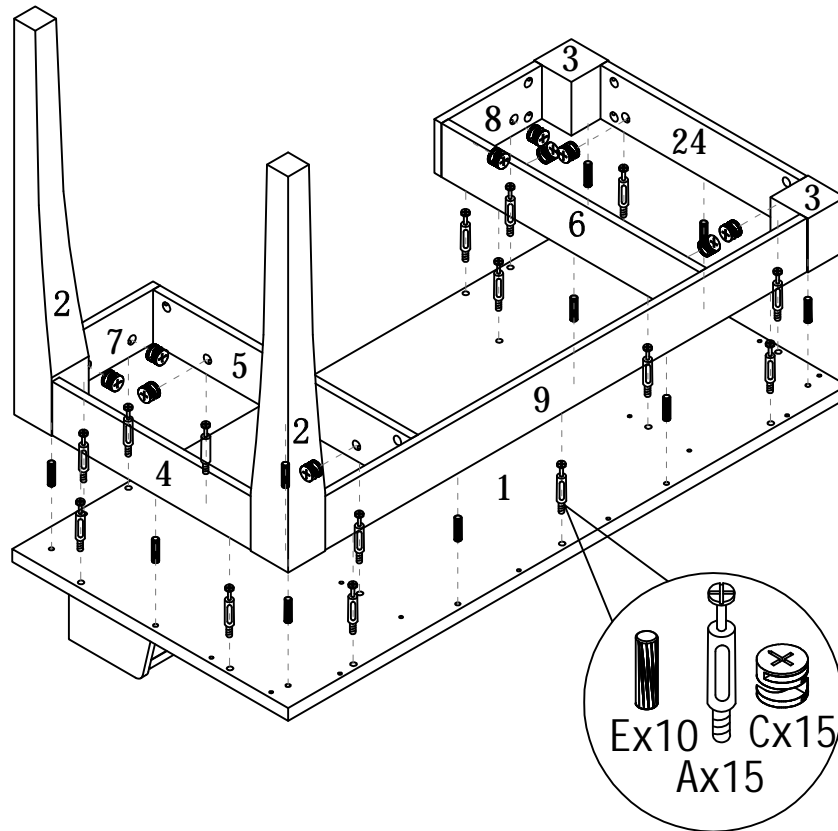


STEP 5 / ETAPE 5

STEP 6 / ETAPE 6

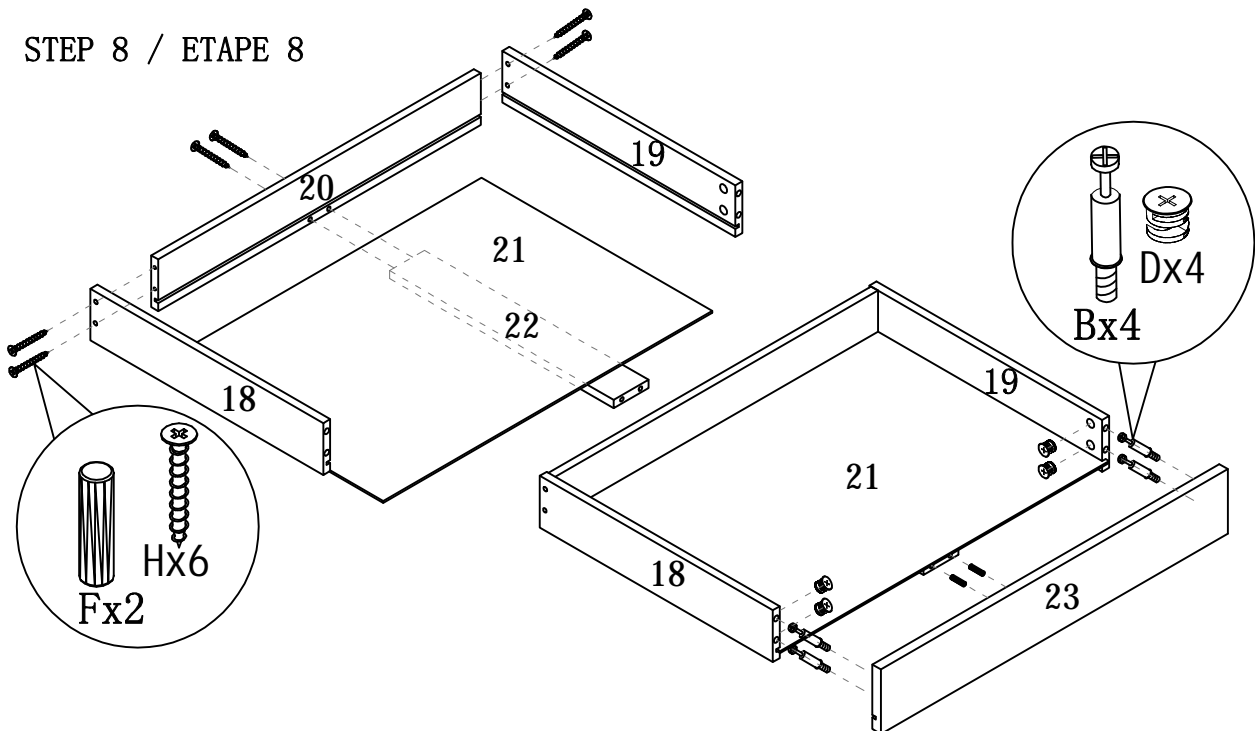


ITEM NO/NO ARTICLE:JUDE1DSK/192546A

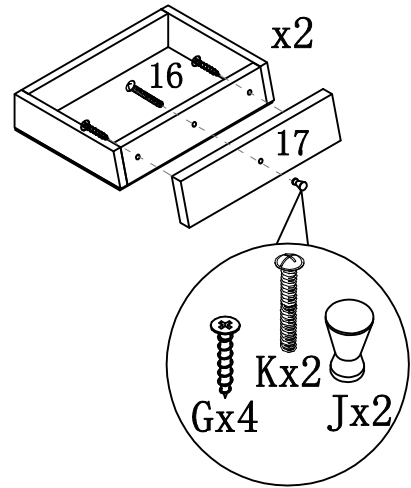
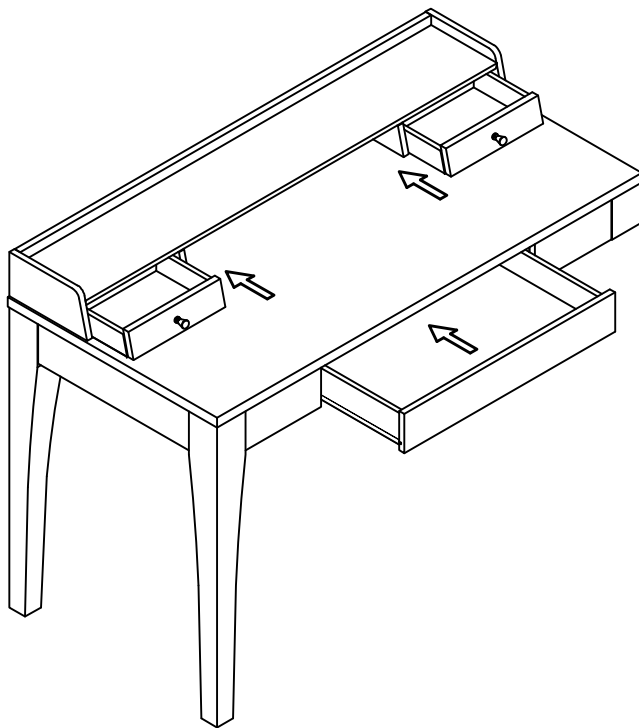


STEP 7 / ETAPE 7

STEP 8 / ETAPE 8

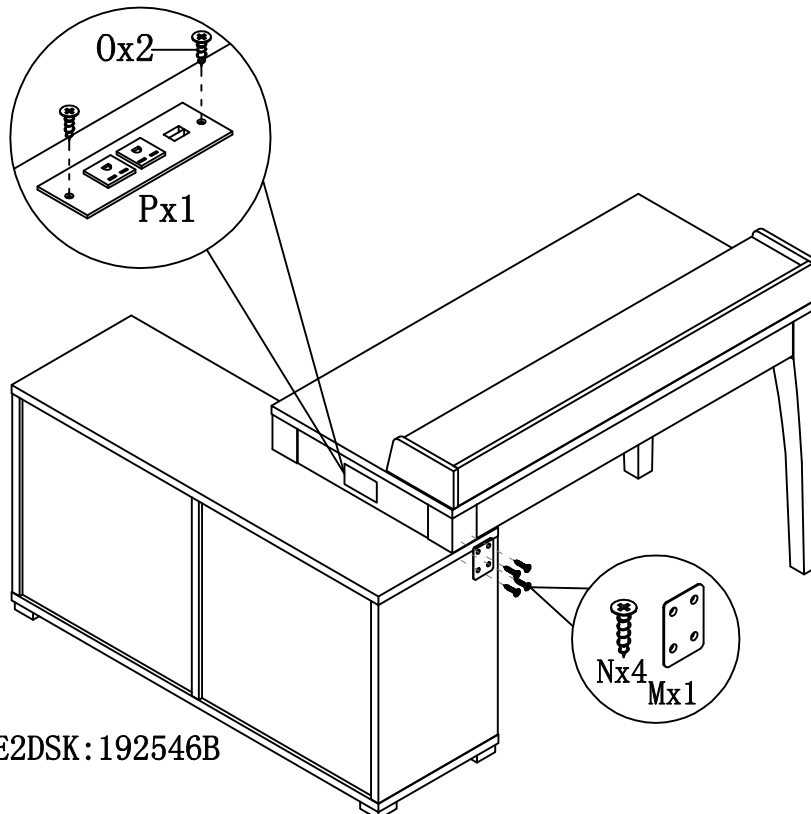


ITEM NO/NO ARTICLE: JUDE1DSK/192546A



STEP 9 / ETAPE 9

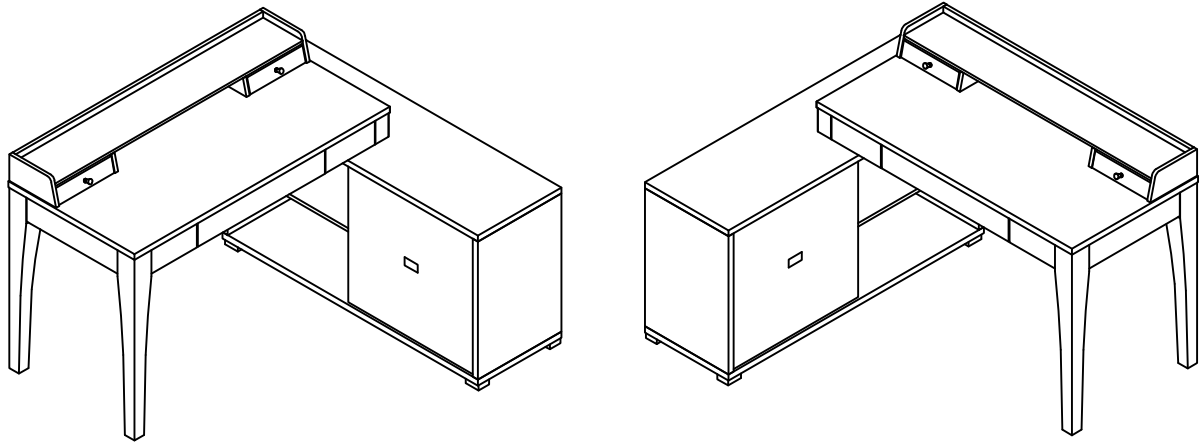
STEP 10 / ETAPE 10



JUDE2DSK:192546B

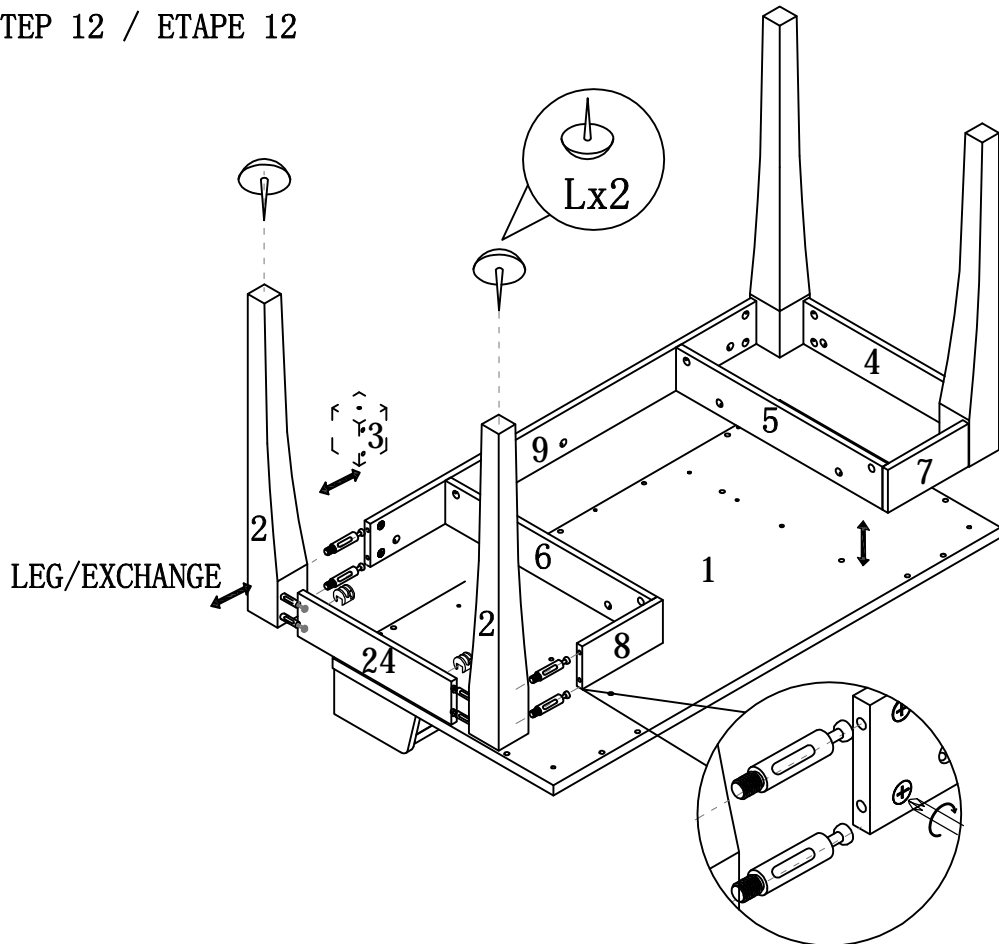


ITEM NO/NO ARTICLE:JUDE1DSK/192546A



STEP 11 / ETAPE 11

STEP 12 / ETAPE 12



ITEM NO/NO ARTICLE:JUDE1DSK/192546A

---

