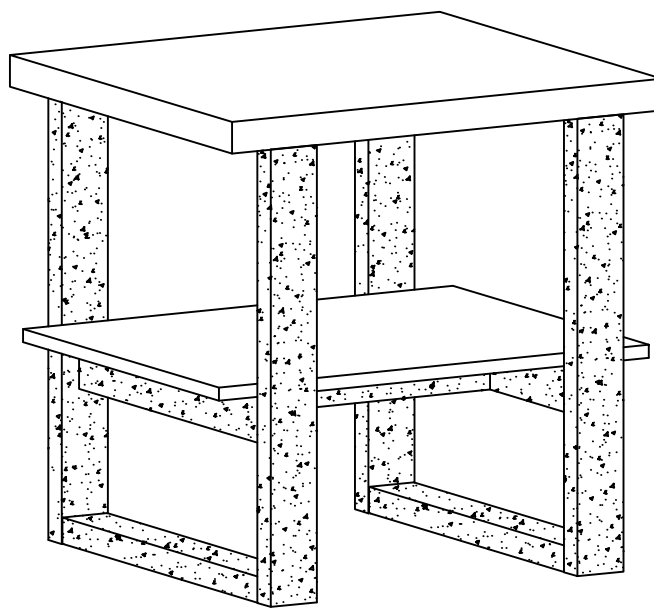


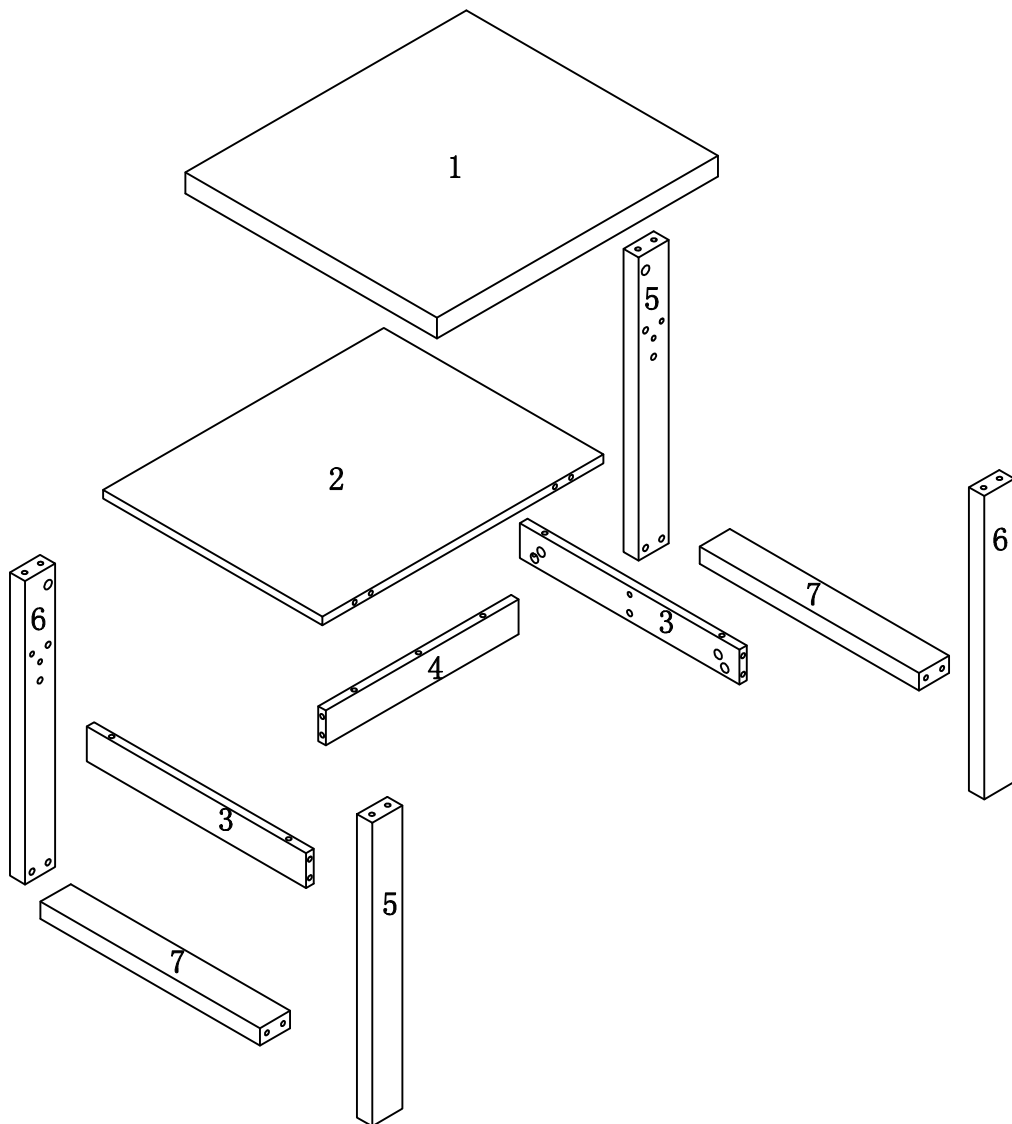
ASSEMBLY INSTRUCTIONS / INSTRUCTIONS D'ASSEMBLAGE

ITEM NO/NO ARTICLE: IZAACETB/161853ET



PARTS IDENTIFICATIONS / IDENTIFICATION DES PIECES





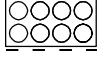

ITEM NO/NO ARTICLE: IZAACETB/161853ET



- | | |
|-----|-----------|
| (1) | 1pc/pce |
| (2) | 1pc/pce |
| (3) | 2pcs/pces |
| (4) | 1pc/pce |
| (5) | 2pcs/pces |
| (6) | 2pcs/pces |
| (7) | 2pcs/pces |

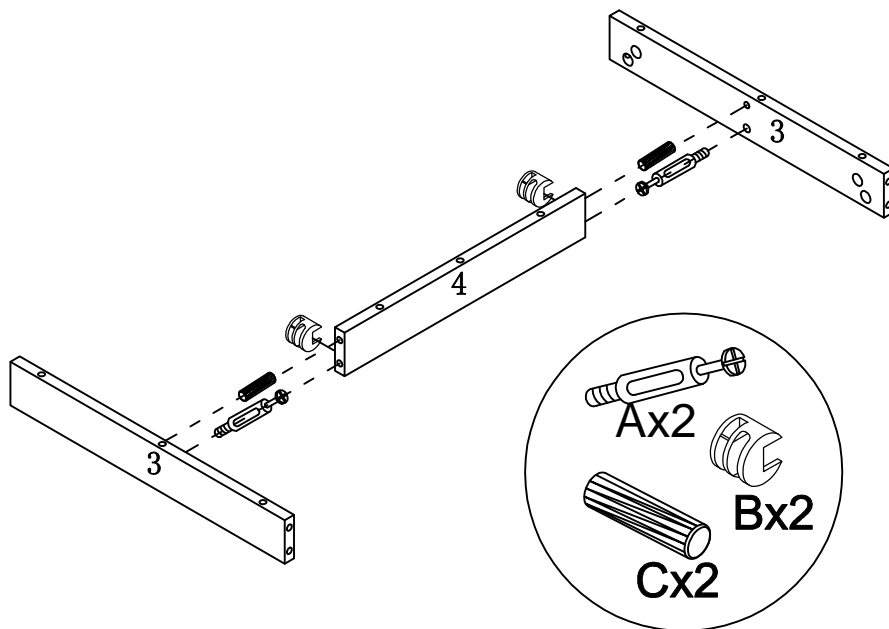
HARDWARE IDENTIFICATIONS/ IDENTIFICATION DU KIT D'ASSEMBLAGE

ITEM NO/NO ARTICLE: IZAACETB/161853ET

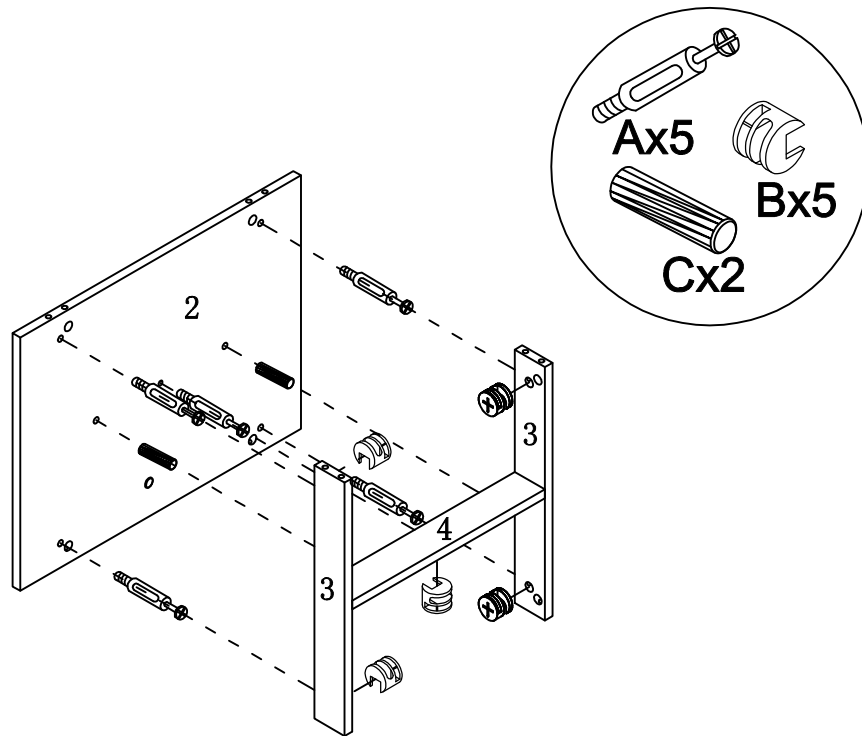
A		L29	27pcs/pces
B		Φ 15	27pcs/pces
C		Φ 8x25	16pcs/pces
D		Φ 16	4pcs/pces
E		Φ 22 (WW)	4pcs/pces
F		<p>Glue: For securing please apply to wood dowel first before inserting into panel. Colle: Appliquez de la colle sur les goujons en bois avant de les insérer dans le panneau.</p>	1pc/pce

ITEM NO/NO ARTICLE: IZAACETB/161853ET

STEP 1 / ETAPE 1

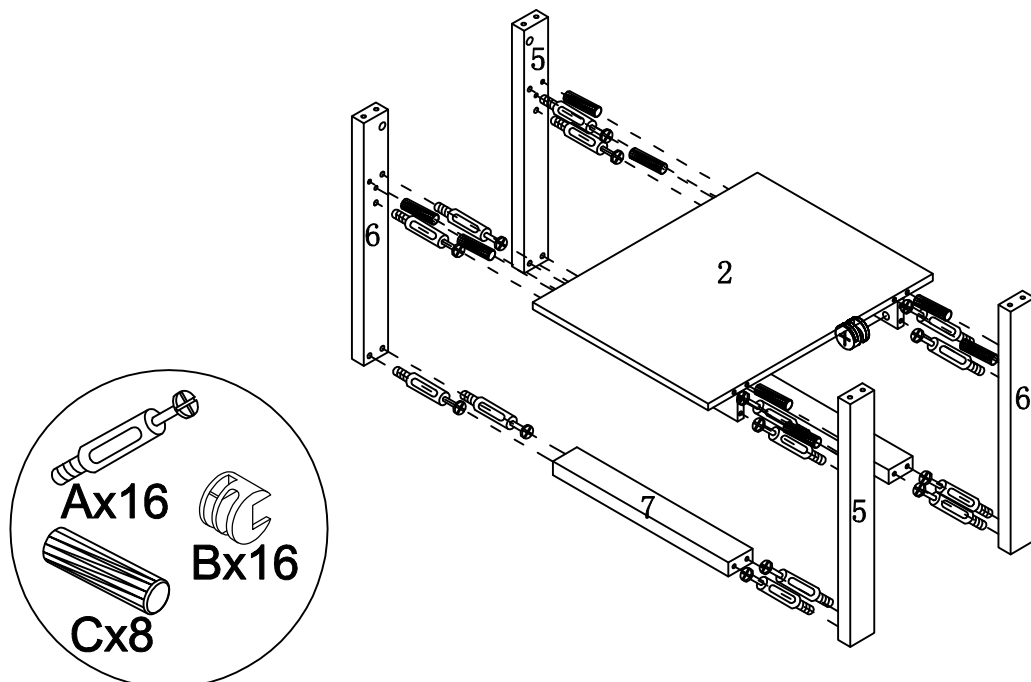


ITEM NO/NO ARTICLE: IZAACETB/161853ET

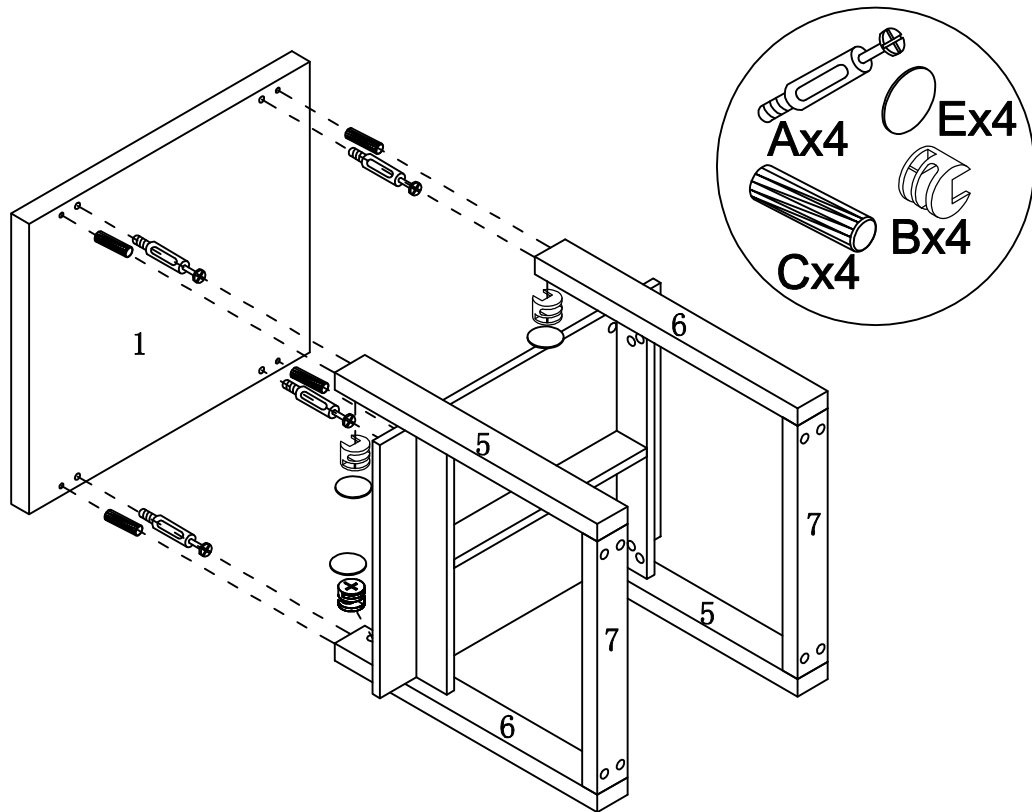


STEP 2 / ETAPE 2

STEP 3 / ETAPE 3



ITEM NO/NO ARTICLE: IZAACETB/161853ET



STEP 4 / ETAPE 4

STEP 5 / ETAPE 5

