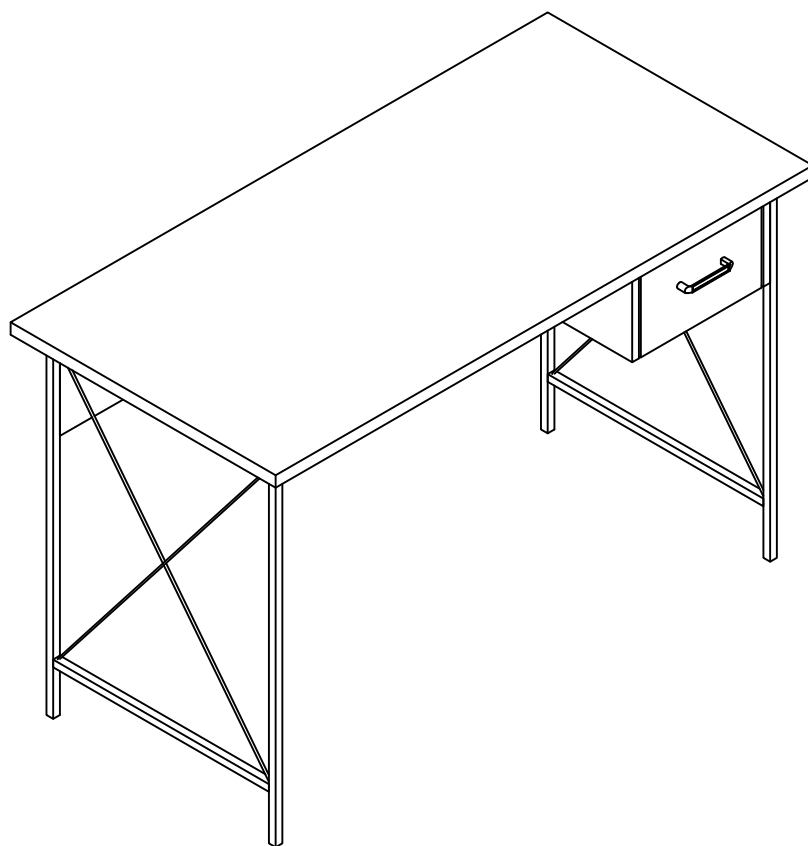


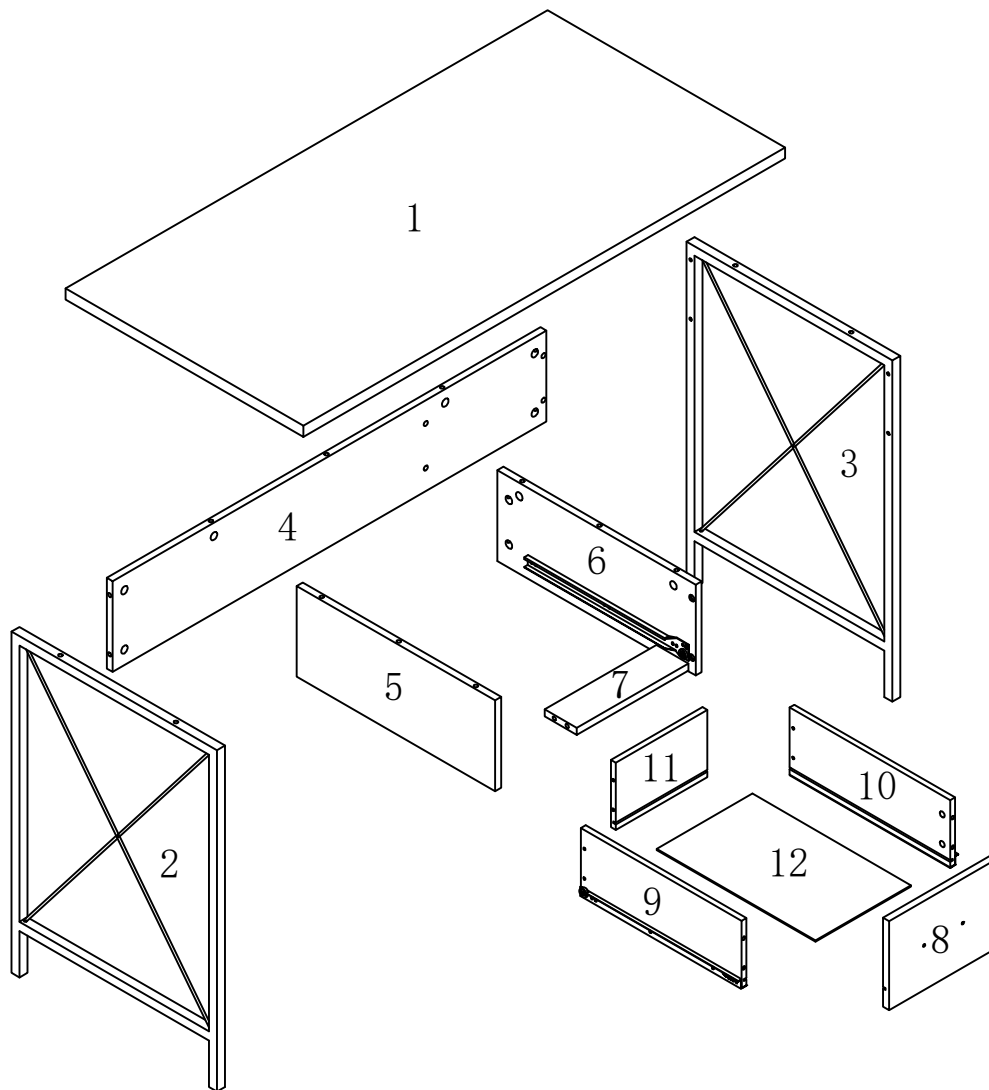
ASSEMBLY INSTRUCTIONS /
INSTRUCTIONS D'ASSEMBLAGE

ITEM NO/NO ARTICLE:IVANHDSK/223104



PARTS IDENTIFICATIONS /
IDENTIFICATION DES PIECES





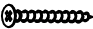

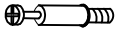





ITEM NO/NO ARTICLE:IVANHDSK/223104



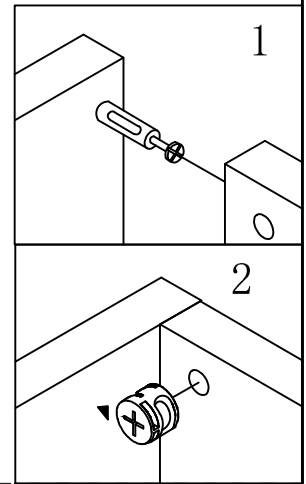
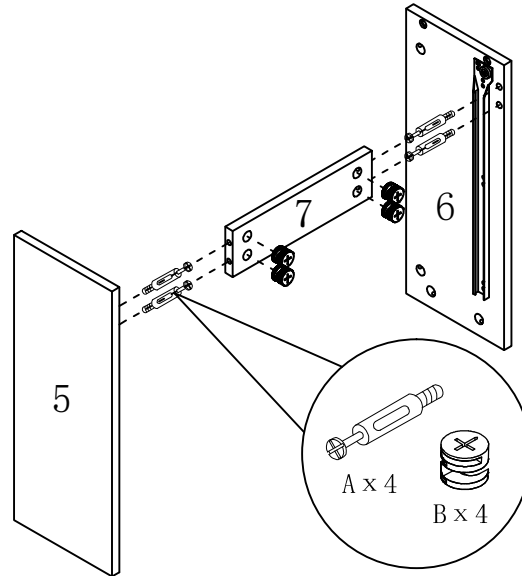
(1)	1pc/pce	(8)	1pc/pce
(2)	1pc/pce	(9)	1pc/pce
(3)	1pc/pce	(10)	1pc/pce
(4)	1pc/pce	(11)	1pc/pce
(5)	1pc/pce	(12)	1pc/pce
(6)	1pc/pce		
(7)	1pc/pce		

HARDWARE IDENTIFICATIONS/ IDENTIFICATION DU KIT D'ASSEMBLAGE

ITEM NO/NO ARTICLE: IVANHDSK/223104

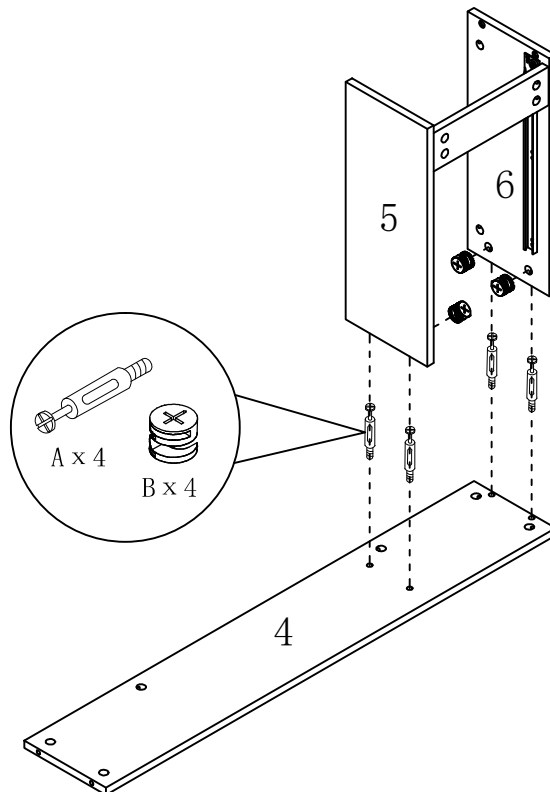
A		L29	18pcs/pces
B		Φ 15	18pcs/pces
C		Φ 8x25	3pcs/pces
D		Φ 22	3pcs/pces
E		Φ 4x30	4pcs/pces
F		M6x30	4pcs/pces
G		L20	4pcs/pces
H		Φ 12	4pcs/pces
I		96#	1pc/pce
J		M4x20	2pcs/pces
K		M6x20	2pcs/pces
L		<p style="font-size: small;">Glue: For securing please apply to wood dowel first before inserting into panel. Colle: Appliquez de la colle sur les goujons en bois avant de les insérer dans le panneau.</p>	1pc/pce

ITEM NO/NO ARTICLE:IVANHDSK/223104

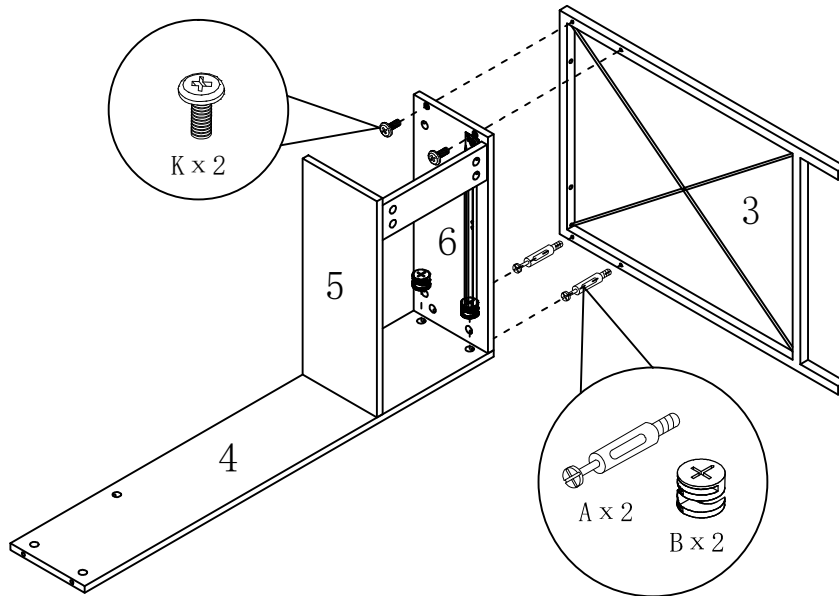


STEP 1 / ETAPE 1

STEP 2 / ETAPE 2

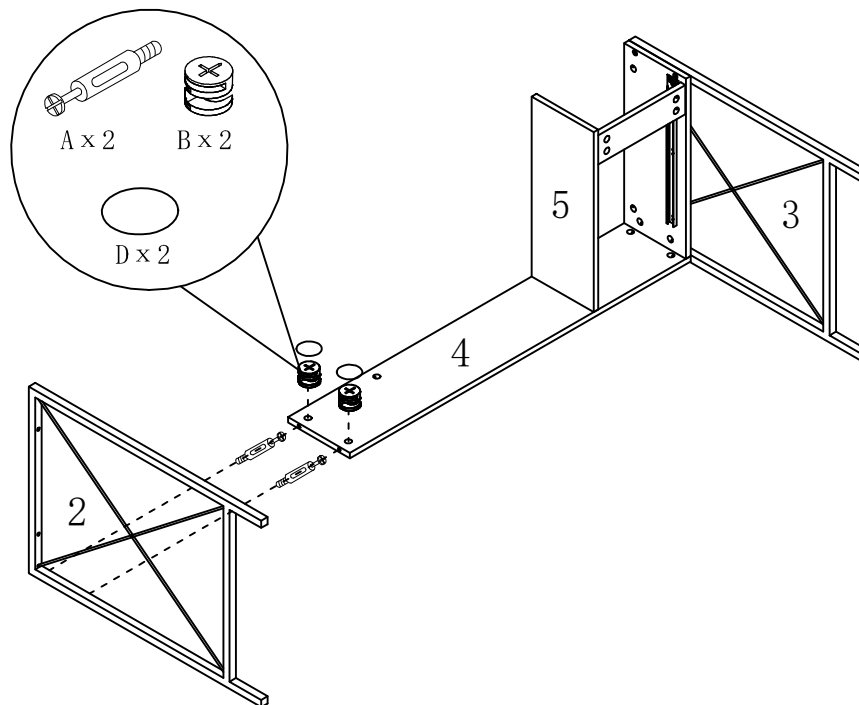


ITEM NO/NO ARTICLE: IVANHDSK/223104

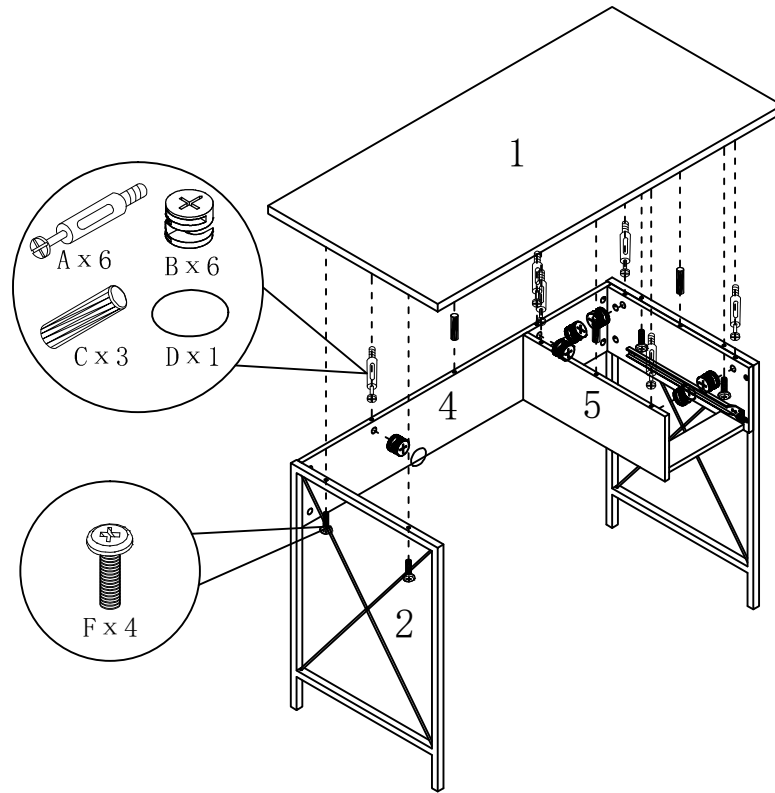


STEP 3 / ETAPE 3

STEP 4 / ETAPE 4

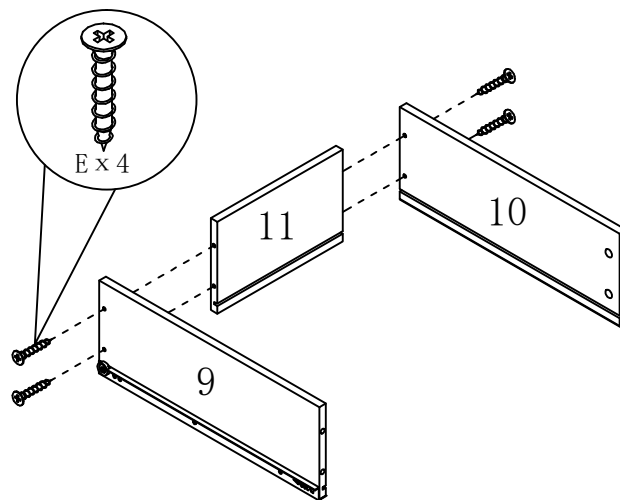


ITEM NO/NO ARTICLE: IVANHDSK/223104

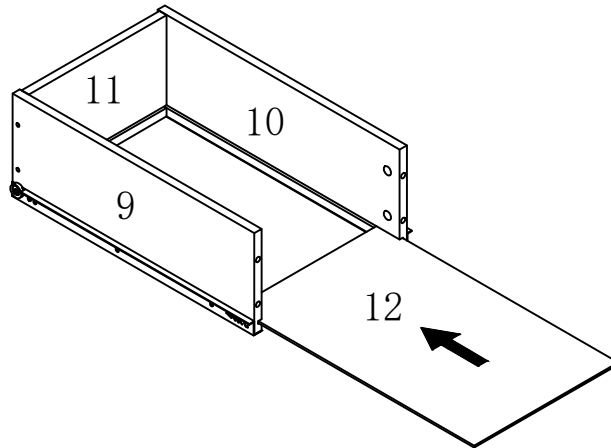


STEP 5 / ETAPE 5

STEP 6 / ETAPE 6

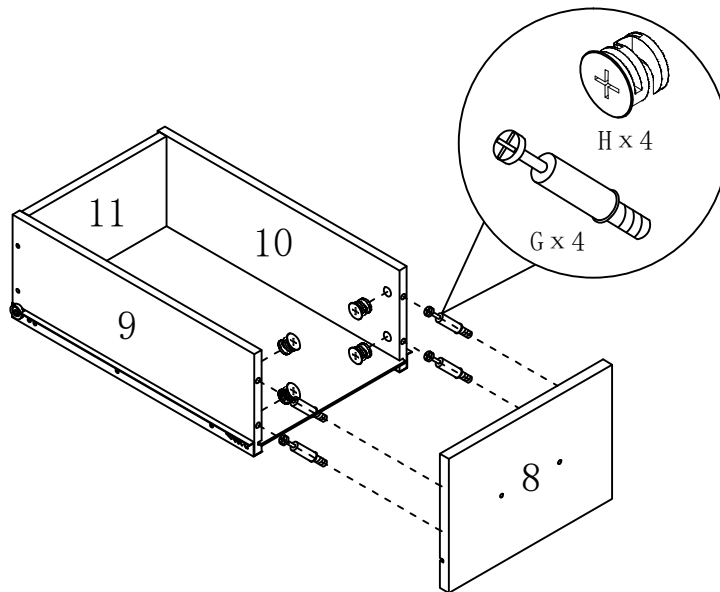


ITEM NO/NO ARTICLE: IVANHDSK/223104

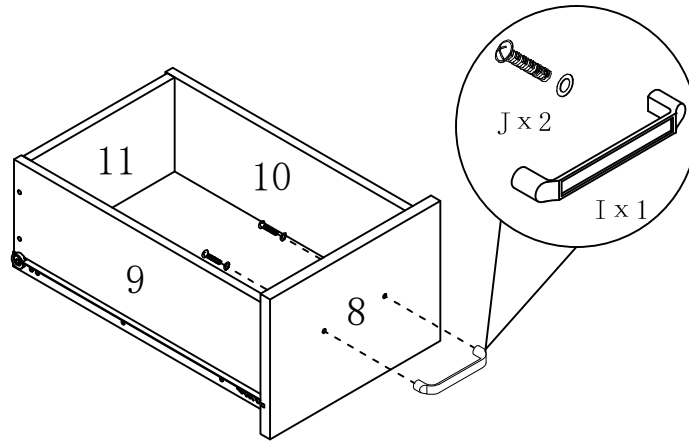


STEP 7 / ETAPE 7

STEP 8 / ETAPE 8



ITEM NO/NO ARTICLE: IVANHDSK/223104



STEP 9 / ETAPE 9

STEP 10 / ETAPE 10

