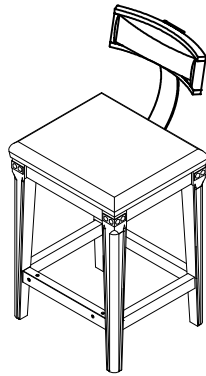


**ASSEMBLY INSTRUCTIONS**

**ITEM NO: 3216-105**

**36CNT H STOOL-NEWCASTLE MHGY**



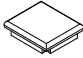



Thank you for purchasing this quality product. Be sure to check all packing material carefully for small parts that may have come loose inside the carton during shipment.





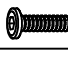


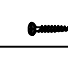


**TOOLS REQUIRED (NOT PROVIDED)**

 Phillips Screw Driver

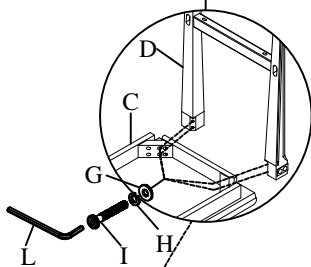
**PARTS LIST:**

No.	Description	Sketch	Quantity
A	Backrest		1
B	Metal Back-Bar		1
C	Seat Frame		1
D	Front Frame		1
E	Back Frame		1
F	Stretcher		2

**HARDWARE LIST:**

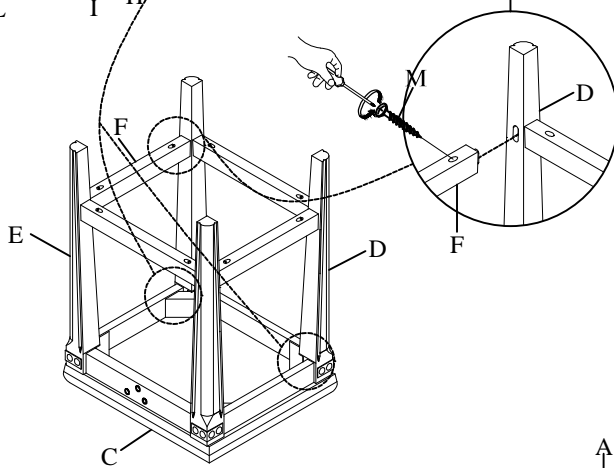
No.	Description	Sketch	Size	Quantity
G	Flat Washer		Ø5/16" x19mm	14
H	Spring Washer		Ø5/16"	14
I	Bolt		Ø5/16"x50mm	8
J	Bolt		Ø5/16"x32mm	3
K	Bolt		Ø5/16"x20mm	3
L	Allen Key		4mm	1
M	Wood Screw		M4*38mm	4
N	Straight Allen Key		4" L*4mm	1

**Step 1**

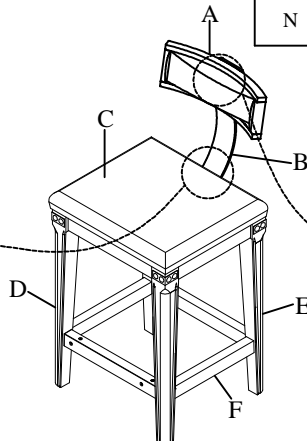
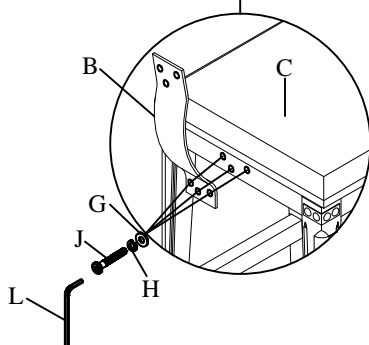


**ATTENTION:**  
DO NOT TIGHTEN BOLTS  
UNTIL STRETCHERS  
ARE IN PLACE

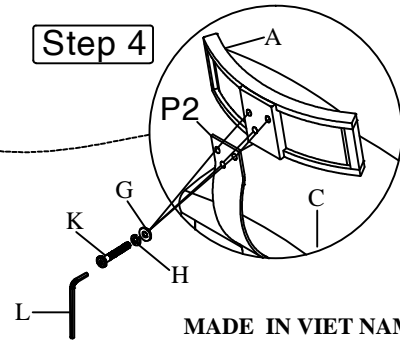
**Step 2**



**Step 3**



**Step 4**



**MADE IN VIET NAM**