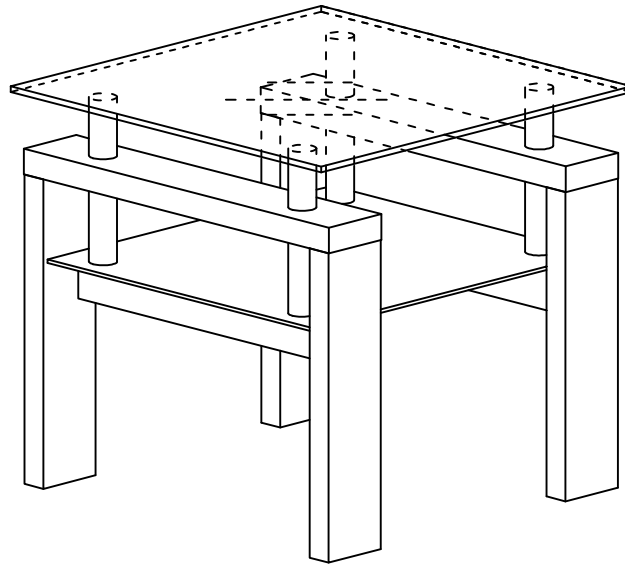


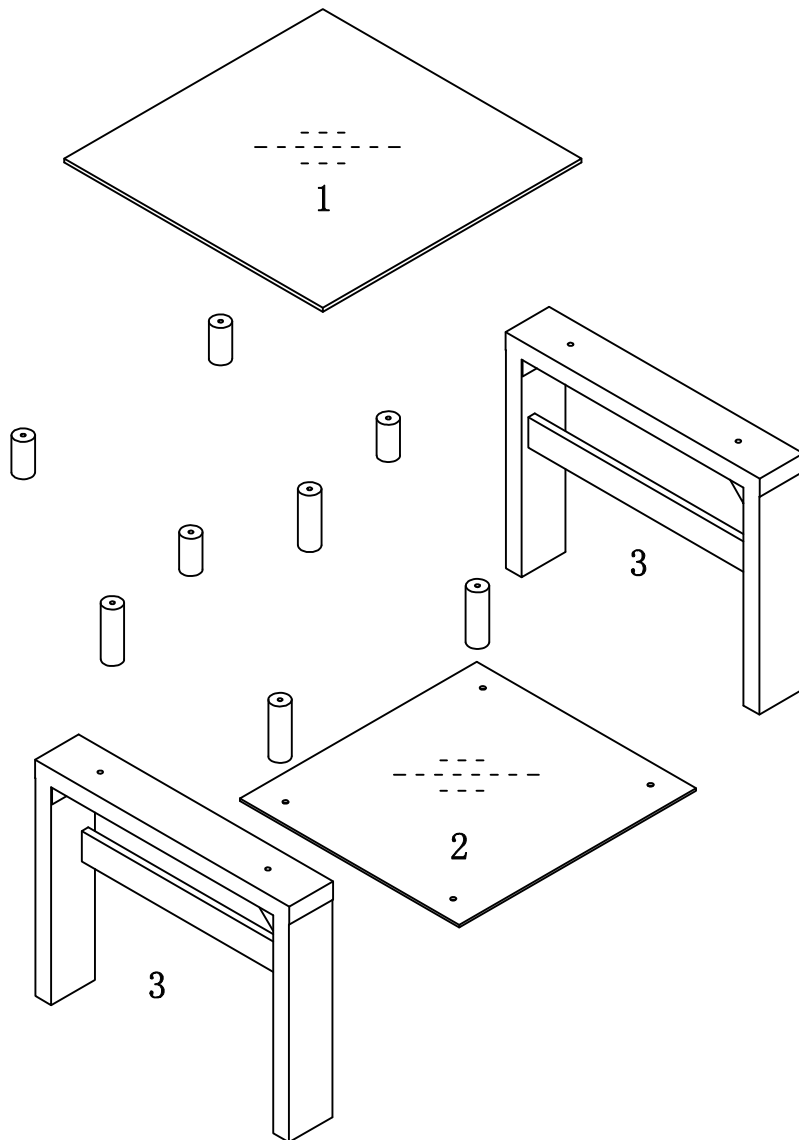
ASSEMBLY INSTRUCTIONS /
INSTRUCTIONS D'ASSEMBLAGE

ITEM NO/NO ARTICLE:HARVYETB/192572ET



PARTS IDENTIFICATIONS /
IDENTIFICATION DES PIECES









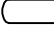
ITEM NO/NO ARTICLE:HARVYETB/192572ET



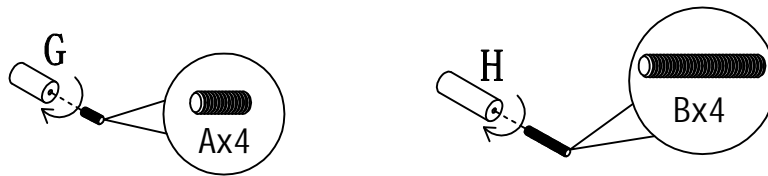
- (1) 1pc/pce
- (2) 1pc/pce
- (3) 2pcs/pces

HARDWARE IDENTIFICATIONS/
IDENTIFICATION DU KIT D'ASSEMBLAGE

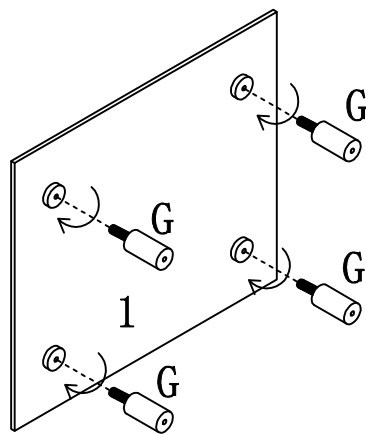
ITEM NO/NO ARTICLE:HARVYETB/192572ET

A		$\phi 8 \times 30$	4pcs/pcs
B		$\phi 8 \times 70$	4pcs/pcs
C		M8 x 20	4pcs/pcs
D		$\phi 8 \times \phi 16 \times 2$	4pcs/pcs
E		M5	1pc/pce
F		$\phi 16$	4pcs/pcs
G		$\Phi 38 \times 74$	4pcs/pcs
H		$\Phi 38 \times 112$	4pcs/pcs
I		$\phi 18$	4pcs/pcs

ITEM NO/NO ARTICLE:HARVYETB/192572ET

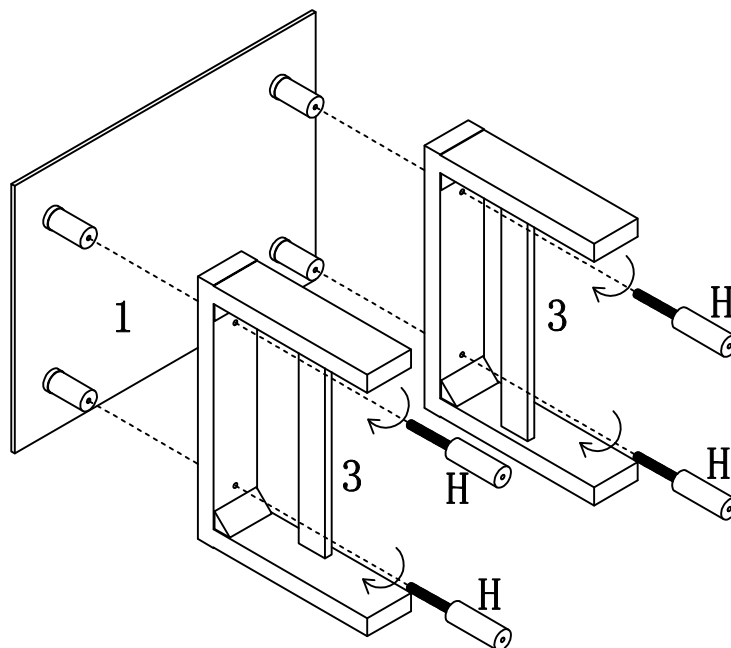


STEP 1 / ETAPE 1

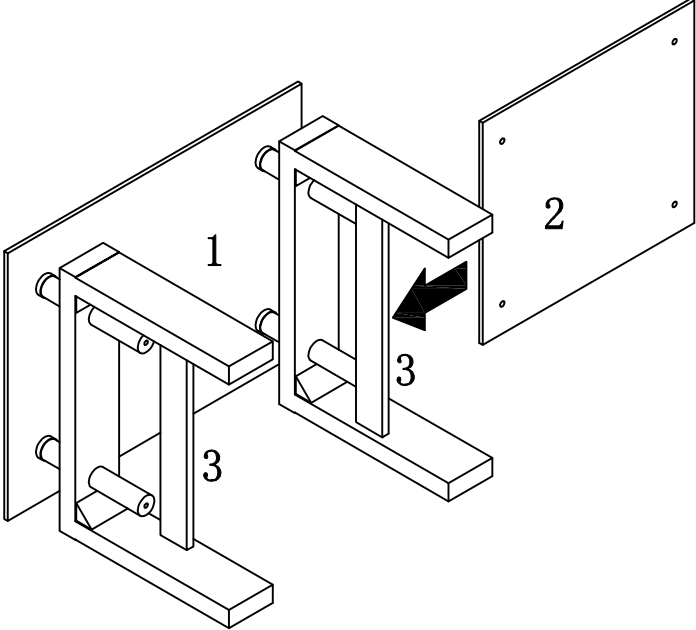


STEP 2 / ETAPE 2

STEP 3 / ETAPE 3



ITEM NO/NO ARTICLE:HARVYETB/192572ET



STEP 4 / ETAPE 4

STEP 5 / ETAPE 5

