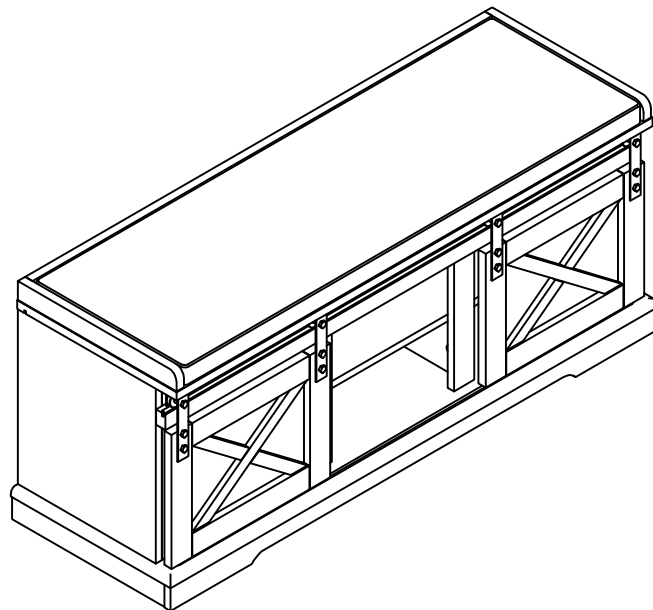


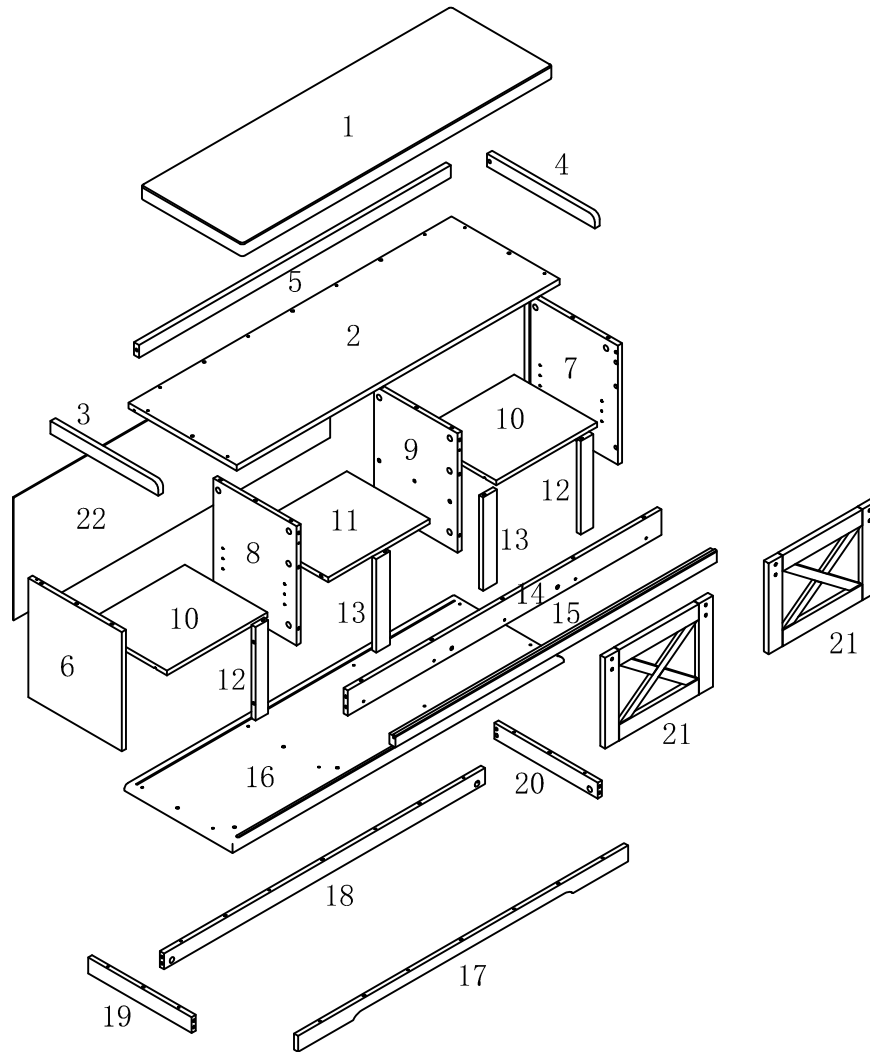
ASSEMBLY INSTRUCTIONS / INSTRUCTIONS D'ASSEMBLAGE

ITEM NO/NO ARTICLE: GAVINSCB/212851



PARTS IDENTIFICATIONS / IDENTIFICATION DES PIECES

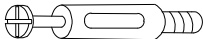



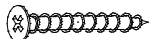

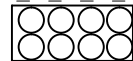
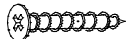
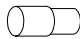

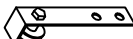




ITEM NO/NO ARTICLE:GAVINSCB/212851



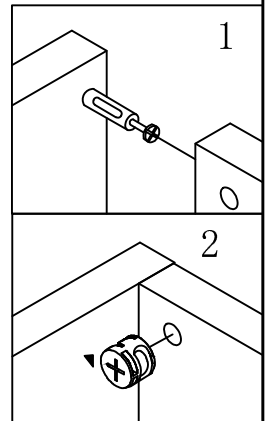
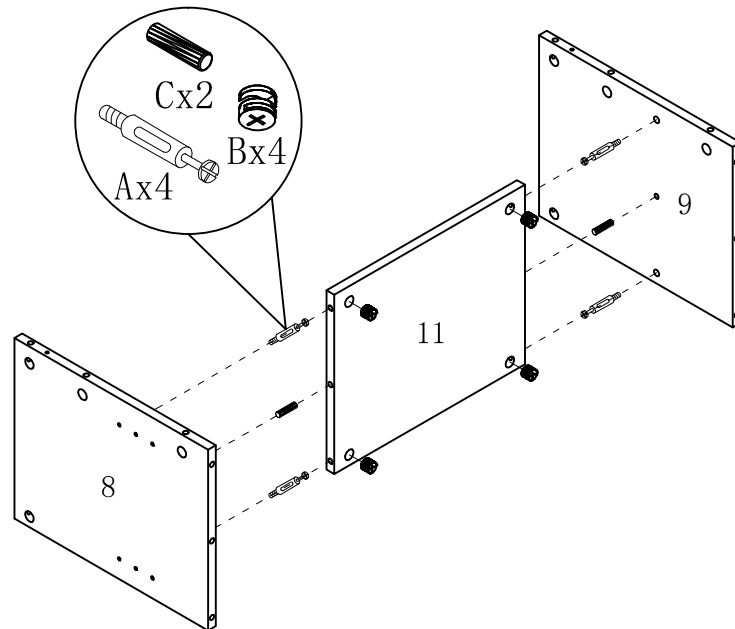
| | | | | | | | |
|-----|-----|------|------|------|------|------|-----|
| (1) | 1pc | (8) | 1pc | (15) | 1pc | (22) | 1pc |
| (2) | 1pc | (9) | 1pc | (16) | 1pc | | |
| (3) | 1pc | (10) | 2pcs | (17) | 2pcs | | |
| (4) | 1pc | (11) | 1pc | (18) | 1pc | | |
| (5) | 1pc | (12) | 2pcs | (19) | 1pc | | |
| (6) | 1pc | (13) | 2pcs | (20) | 1pc | | |
| (7) | 1pc | (14) | 1pc | (21) | 2pcS | | |

HARDWARE IDENTIFICATIONS/ IDENTIFICATION DU KIT D'ASSEMBLAGE

ITEM NO/NO ARTICLE: GAVINSCB/212851

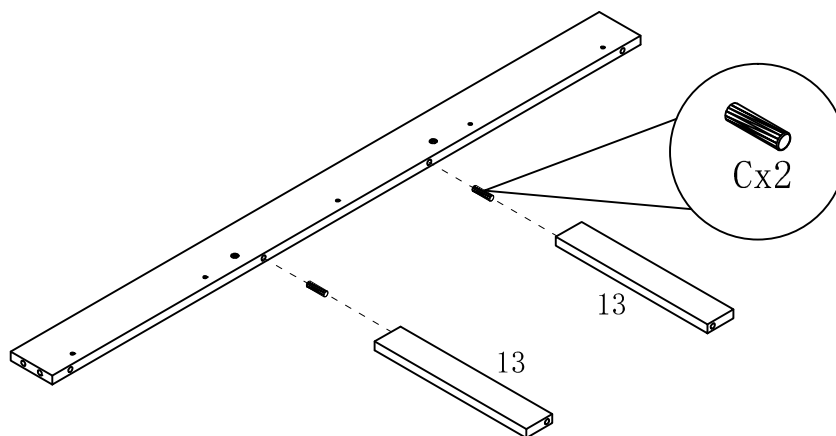
| | | | |
|---|-------------------------------------------------------------------------------------|-------|-------|
| A |  | L29 | 31pcs |
| B |  | Ø15 | 31pcs |
| C |  | Ø8x25 | 41pcs |
| D |  | Ø4x45 | 12pcs |
| E |  | Ø4x35 | 18pcs |
| F |  | Ø16 | 7pcs |
| G |  | Ø22 | 14pcs |
| H |  | Ø4x30 | 5pcs |
| I |  | Ø5x15 | 8pcs |
| J |  | Ø6x30 | 4pcs |
| K |  | TMJ9 | 4pcs |
| L |  | M6x25 | 8pcs |
| M |  | M6 | 8pcs |
| N |  | M10 | 2pcs |
| O |  | | 1pc |

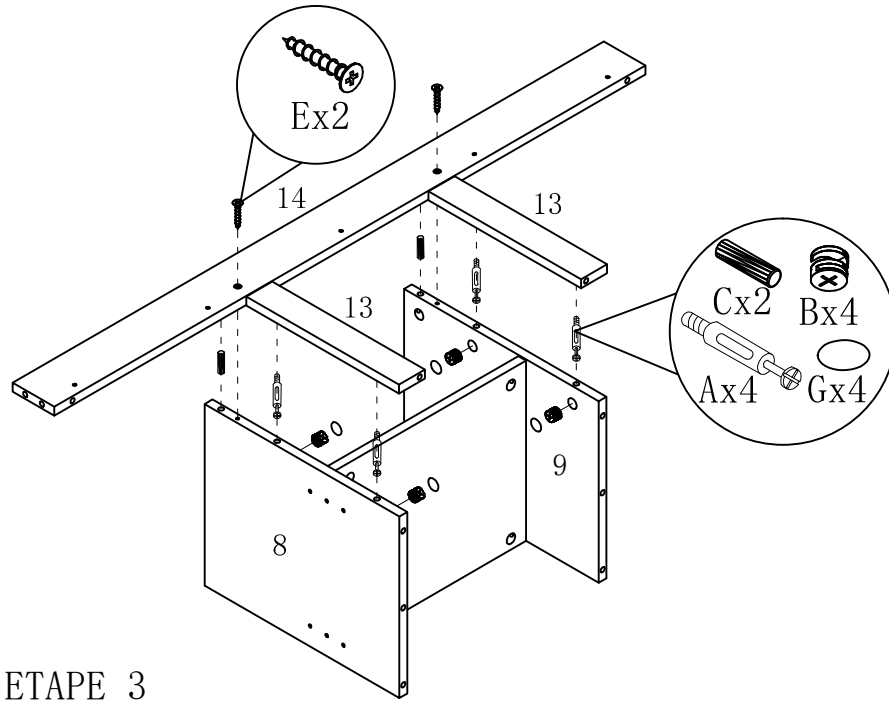
ITEM NO/NO ARTICLE: GAVINSCB/212851



STEP 1 / ETAPE 1

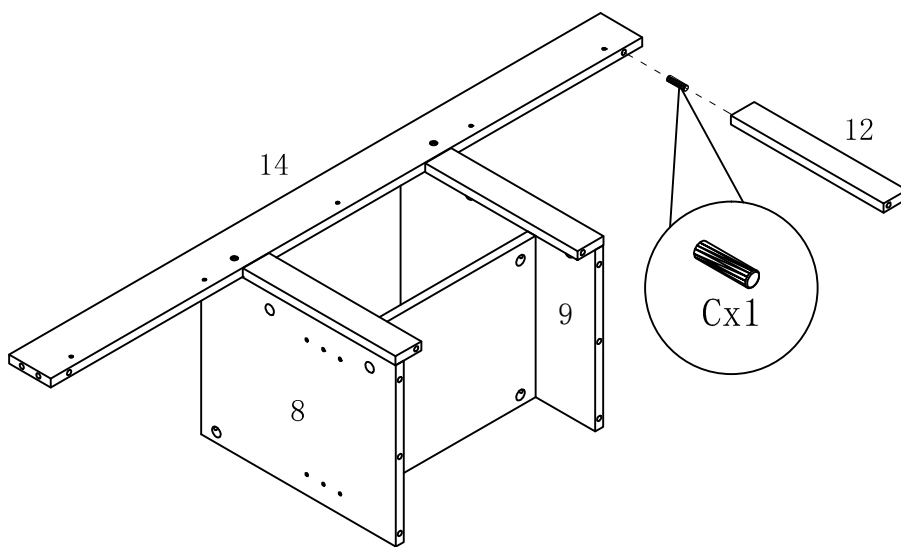
STEP 2 / ETAPE 2



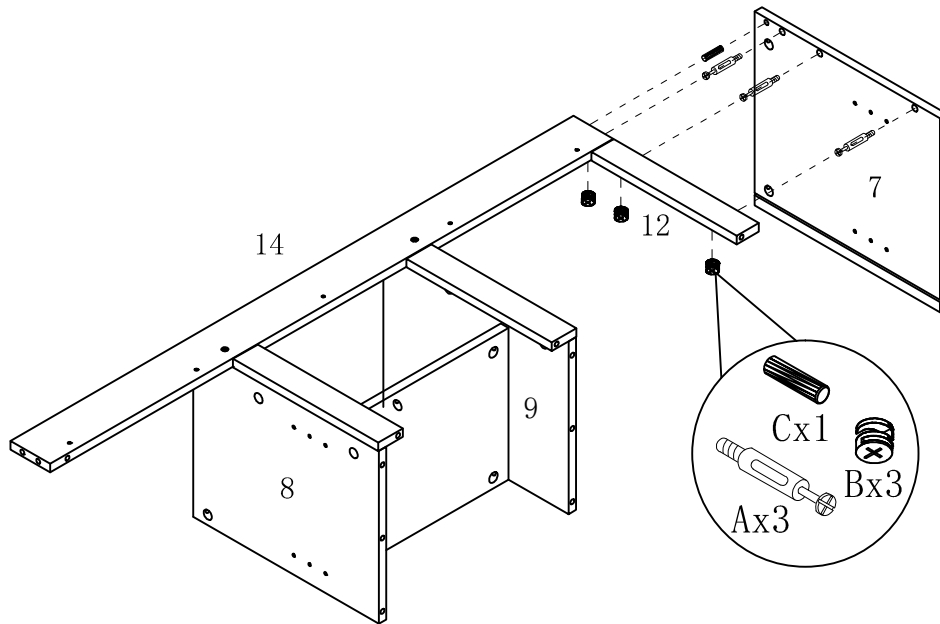


STEP 3 / ETAPE 3

STEP 4 / ETAPE 4

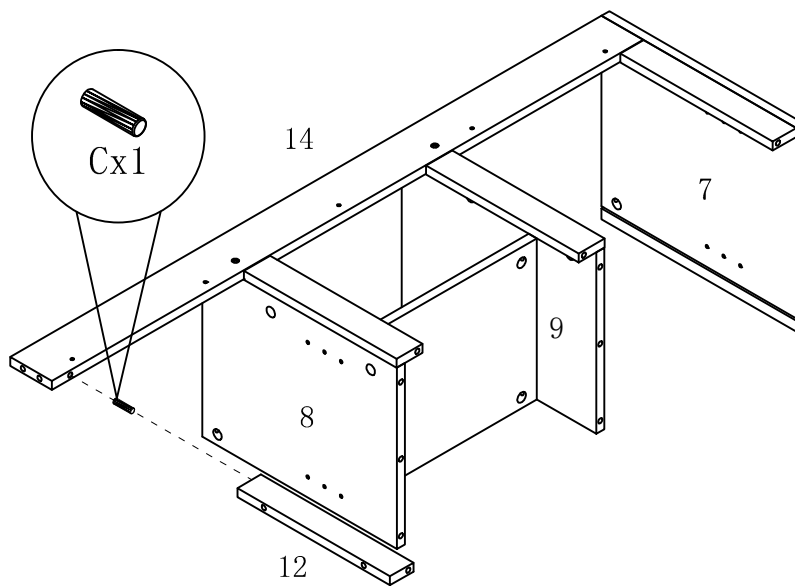


ITEM NO/NO ARTICLE: GAVINSCB/212851

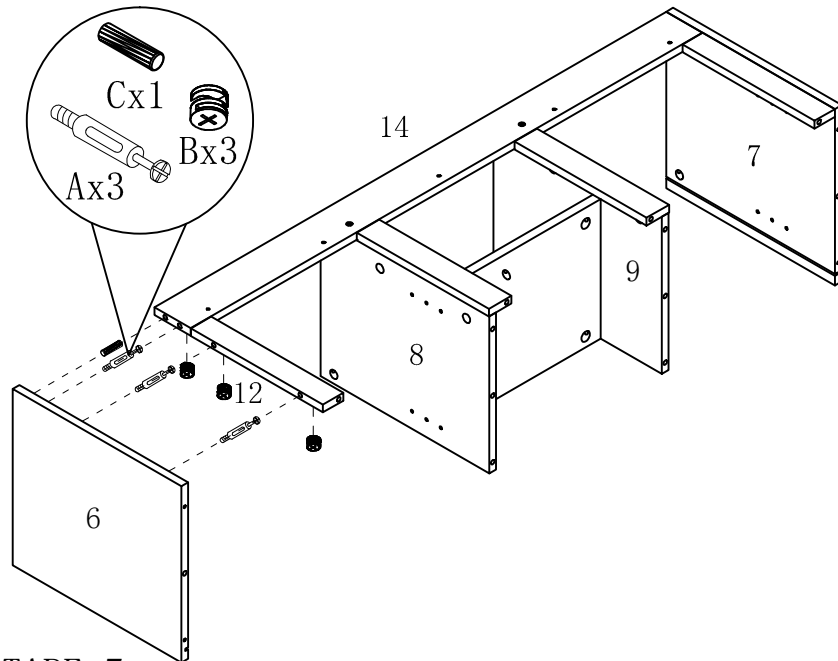


STEP 5 / ETAPE 5

STEP 6 / ETAPE 6

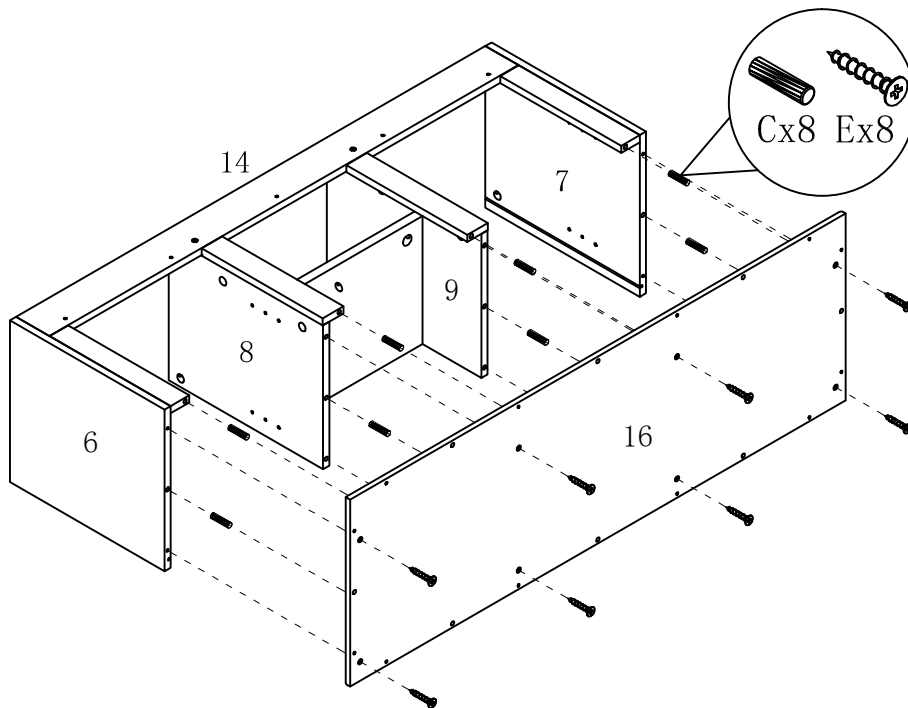


ITEM NO/NO ARTICLE: GAVINSCB/212851

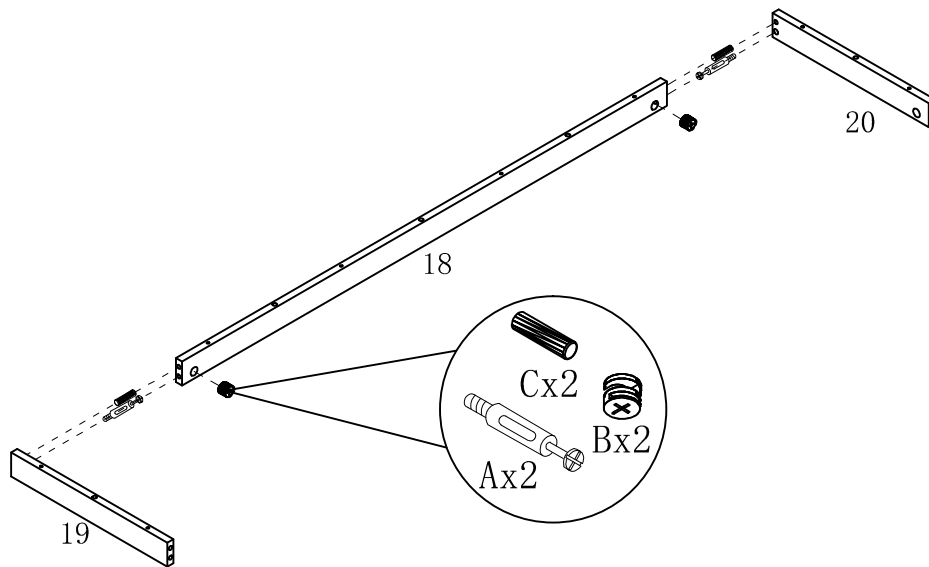


STEP 7 / ETAPE 7

STEP 8 / ETAPE 8

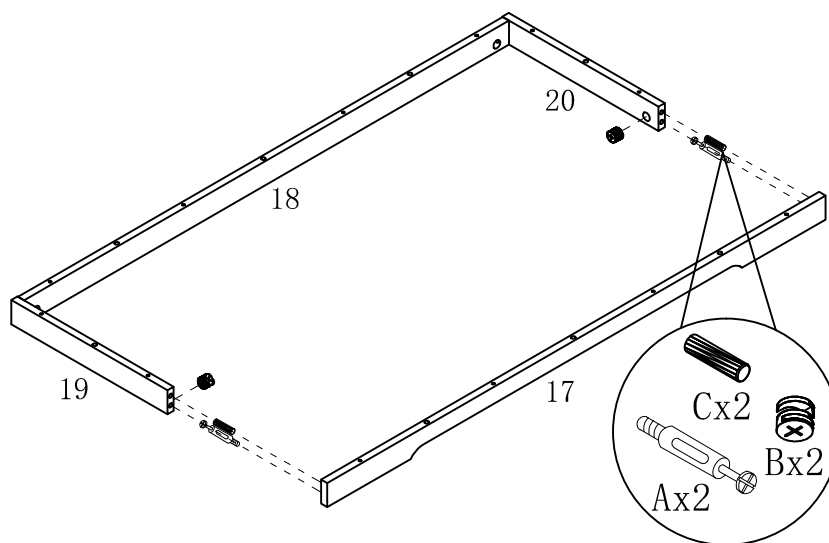


ITEM NO/NO ARTICLE: GAVINSCB/212851

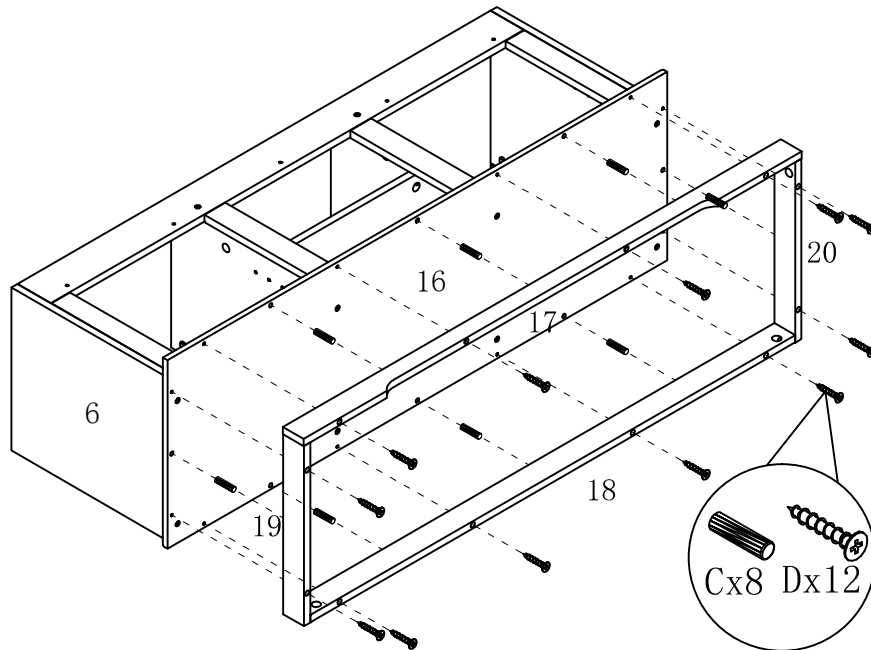


STEP 9 / ETAPE 9

STEP 10 / ETAPE 10

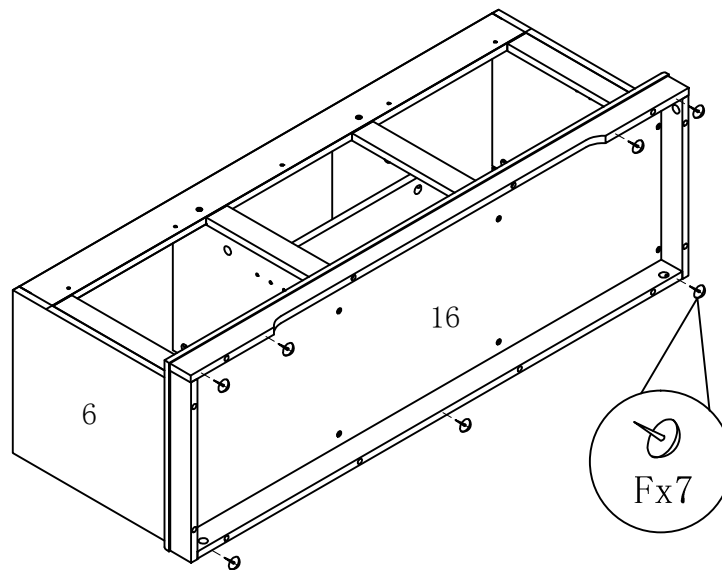


ITEM NO/NO ARTICLE: GAVINSCB/212851

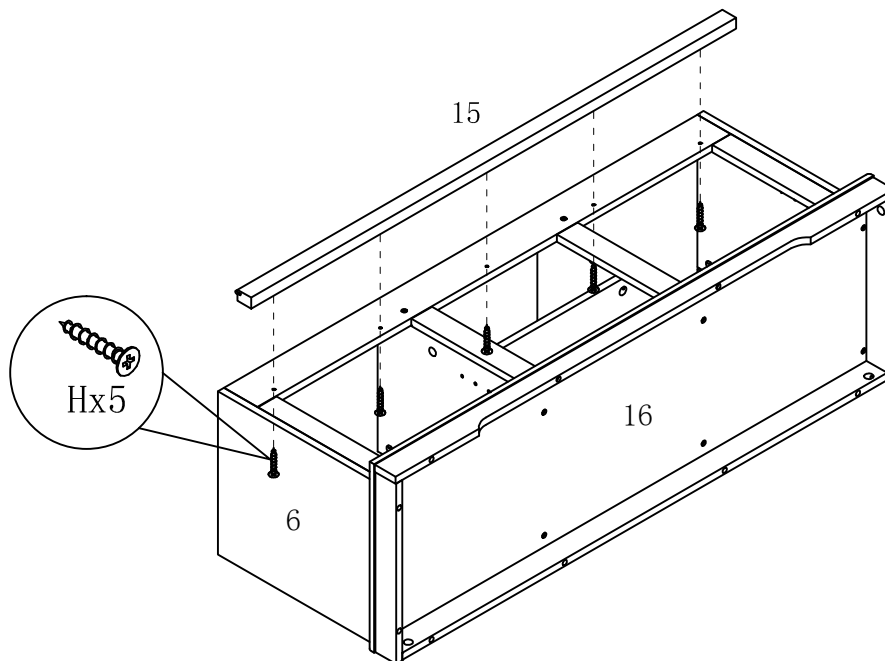


STEP 11 / ETAPE 11

STEP 12 / ETAPE 12

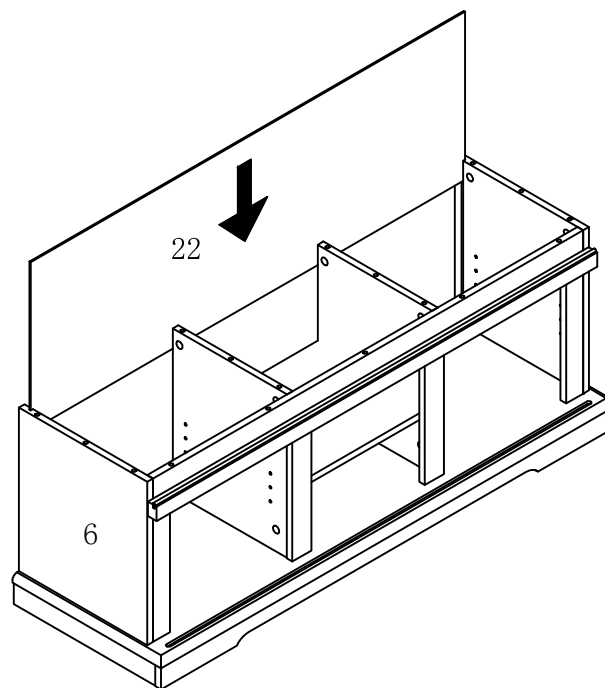


ITEM NO/NO ARTICLE: GAVINSCB/212851

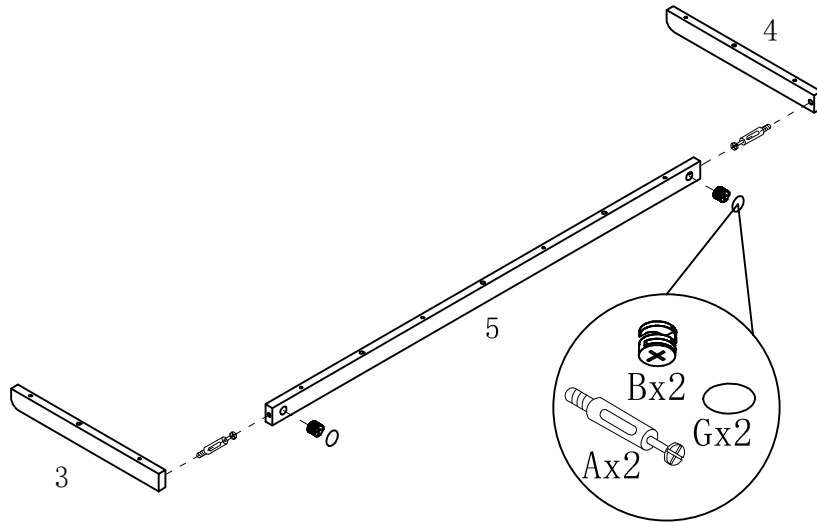


STEP 13 / ETAPE 13

STEP 14 / ETAPE 14

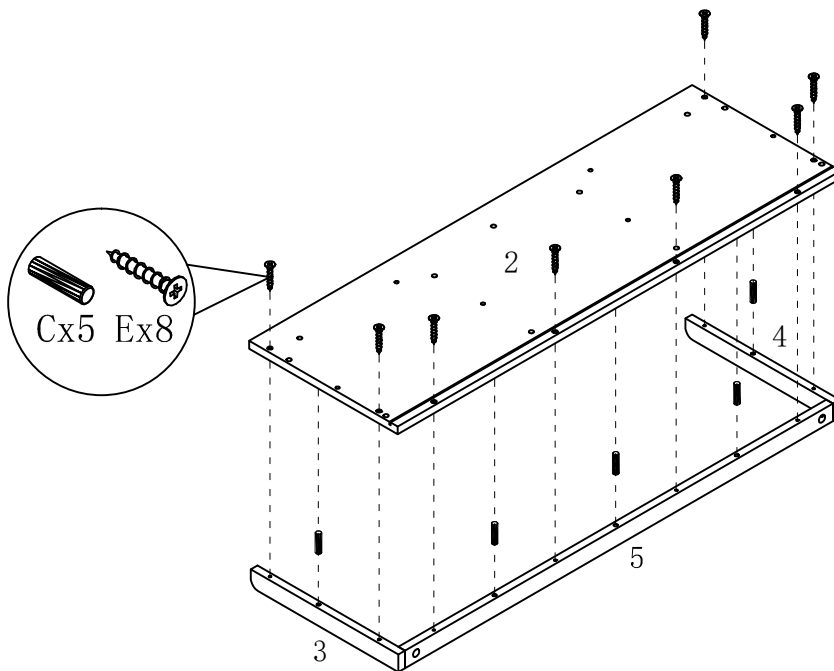


ITEM NO/NO ARTICLE: GAVINSCB/212851

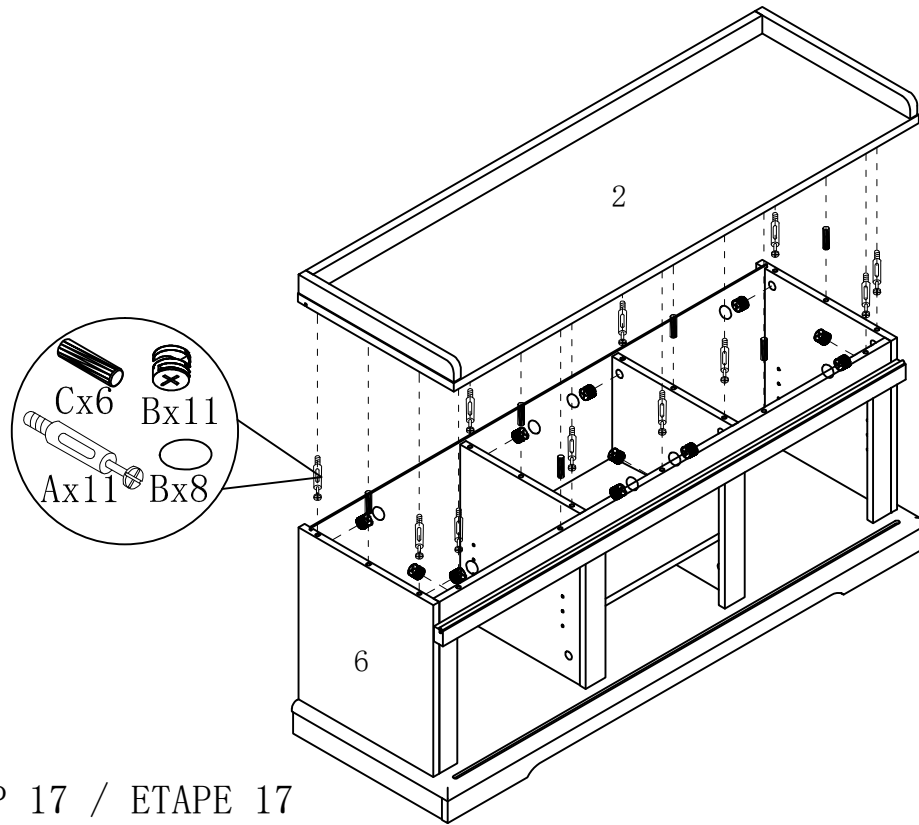


STEP 15 / ETAPE 15

STEP 16 / ETAPE 16

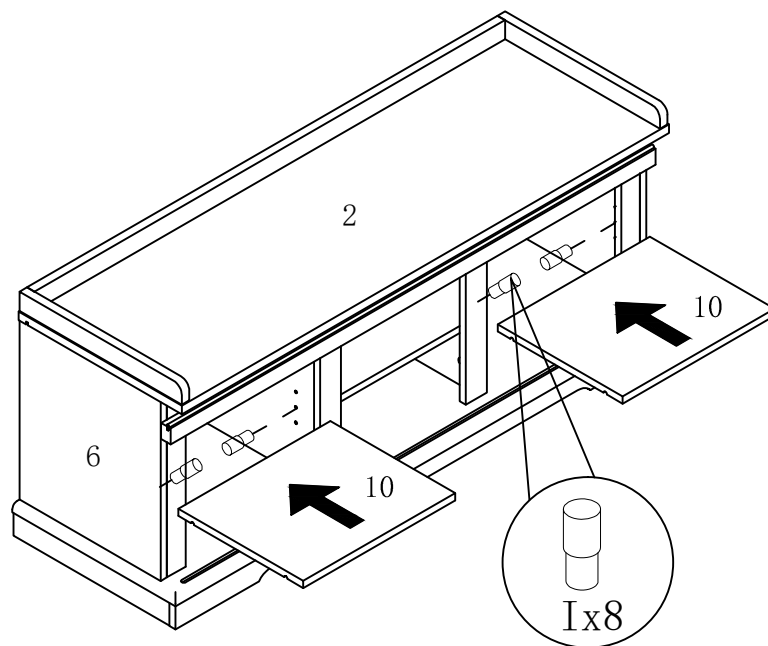


ITEM NO/NO ARTICLE: GAVINSCB/212851

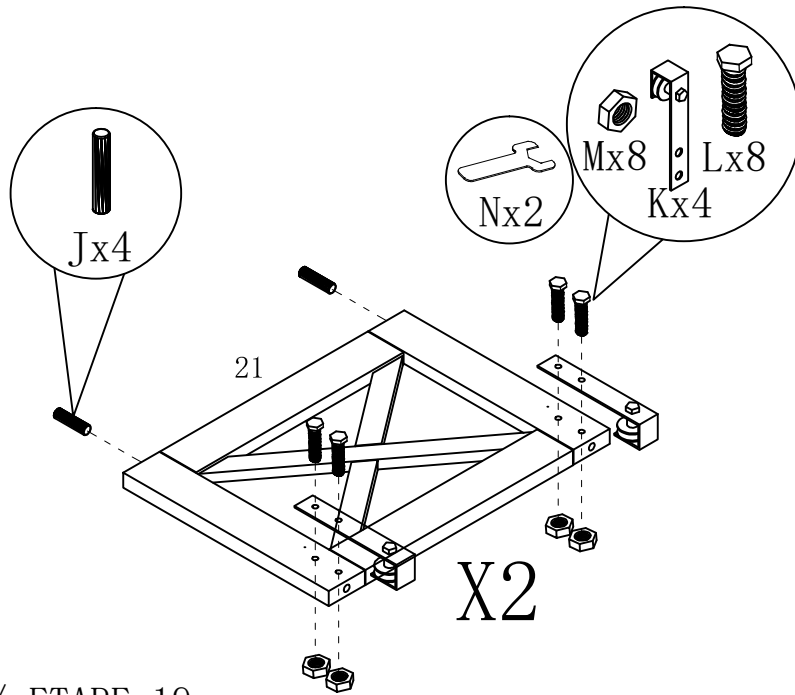


STEP 17 / ETAPE 17

STEP 18 / ETAPE 18

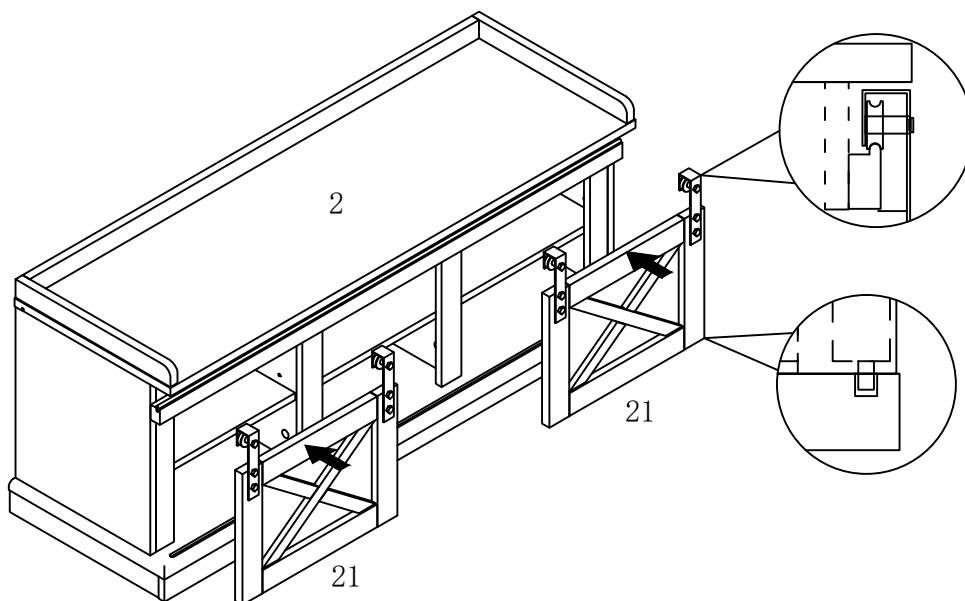


ITEM NO/NO ARTICLE: GAVINSCB/212851

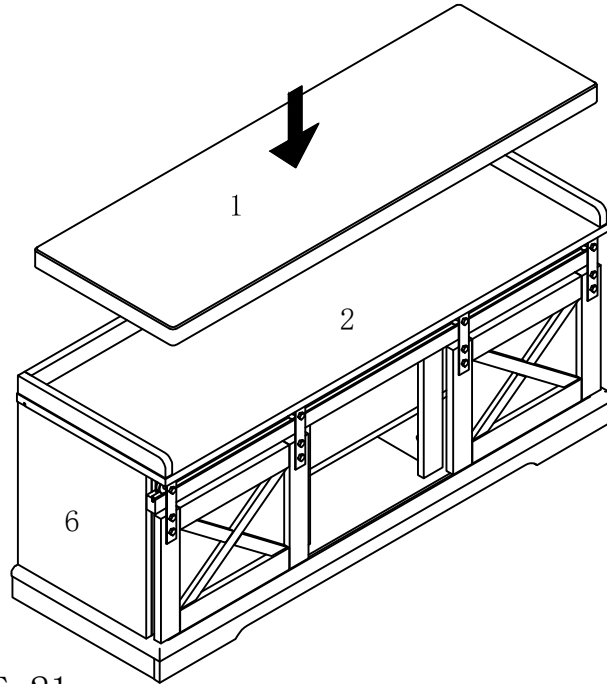


STEP 19 / ETAPE 19

STEP 20 / ETAPE 20



ITEM NO/NO ARTICLE: GAVINSCB/212851



STEP 21 / ETAPE 21

STEP 22 / ETAPE 22

