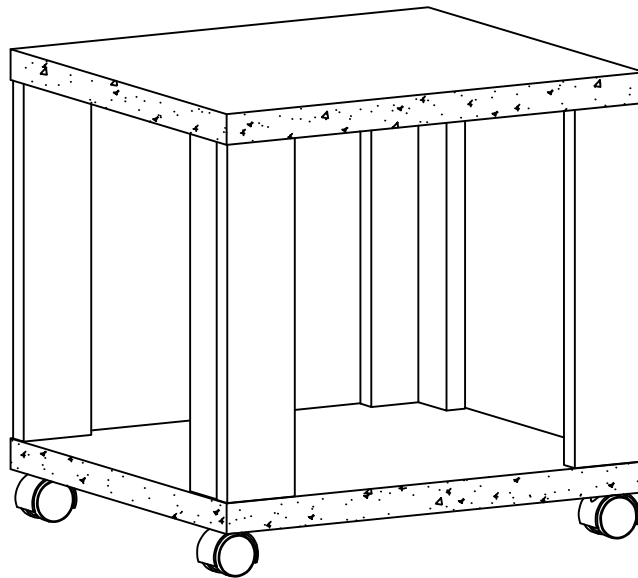


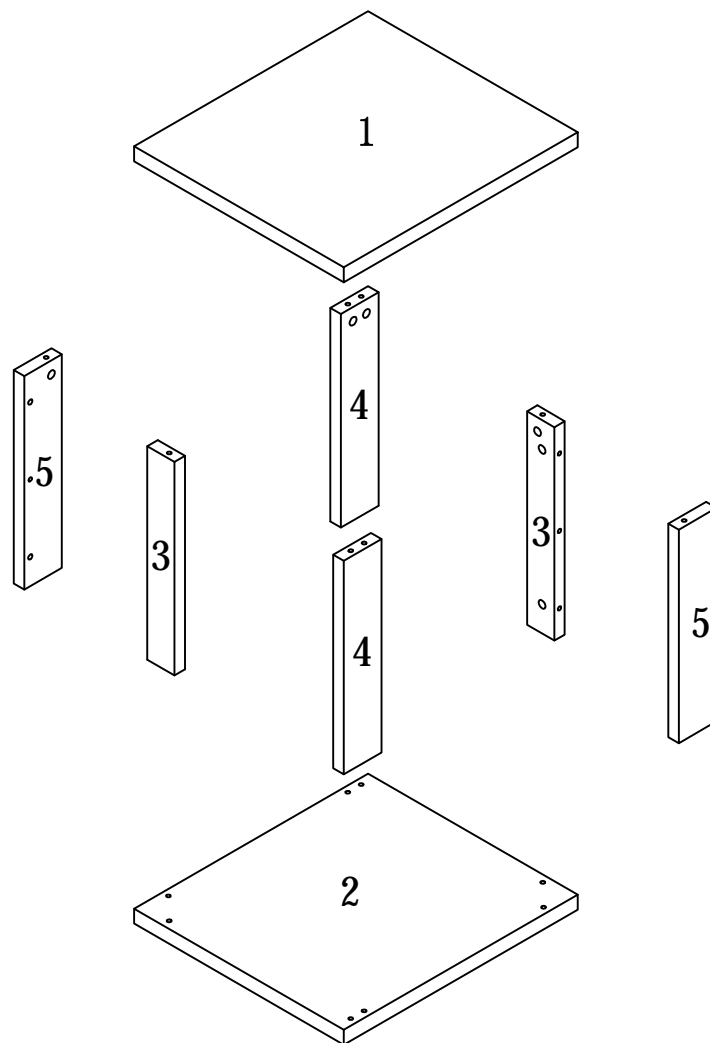
ASSEMBLY INSTRUCTIONS /
INSTRUCTIONS D'ASSEMBLAGE

ITEM NO/NO ARTICLE:FLYNNETB/192590ET



PARTS IDENTIFICATIONS / IDENTIFICATION DES PIÈCES


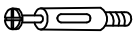






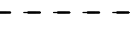

ITEM NO/NO ARTICLE:FLYNNETB/192590ET



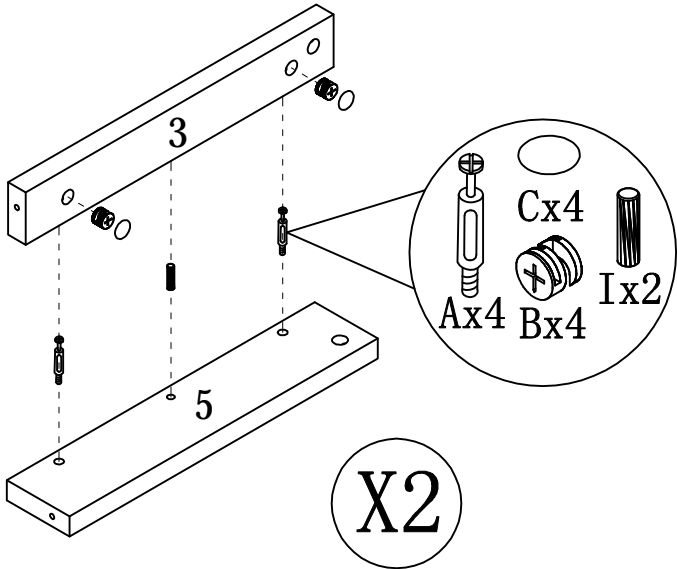
- (1) 1pc/pce
- (2) 1pc/pce
- (3) 2pcs/pces
- (4) 2pcs/pces
- (5) 2pcs/pces

HARDWARE IDENTIFICATIONS/ IDENTIFICATION DU KIT D'ASSEMBLAGE

ITEM NO/NO ARTICLE:FLYNNETB/192590ET

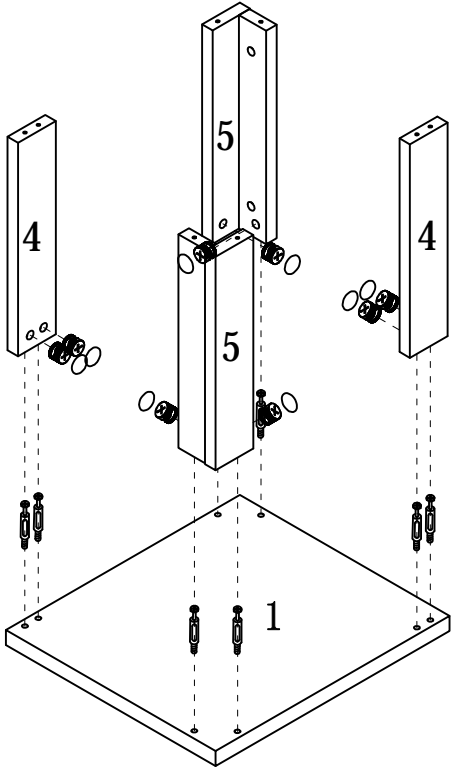
A		Φ 15	12pcs/pces
B		L29	12pcs/pces
C		Φ 22	12pcs/pces
D		Φ 7x58	8pcs/pces
E		Φ 8x Φ 16x2	8pcs/pces
F		H=55	2pcs/pces
G		H=55	2pcs/pces
H		Φ 4x25	16pcs/pces
I		Φ 8x25	2pcs/pces
J		Glue: For securing please apply to wood dowel first before inserting into panel. Colle: Appliquez de la colle sur les goujons en bois avant de les insérer dans le panneau.	1pc/pce

ITEM NO/NO ARTICLE:FLYNNETB/192590ET

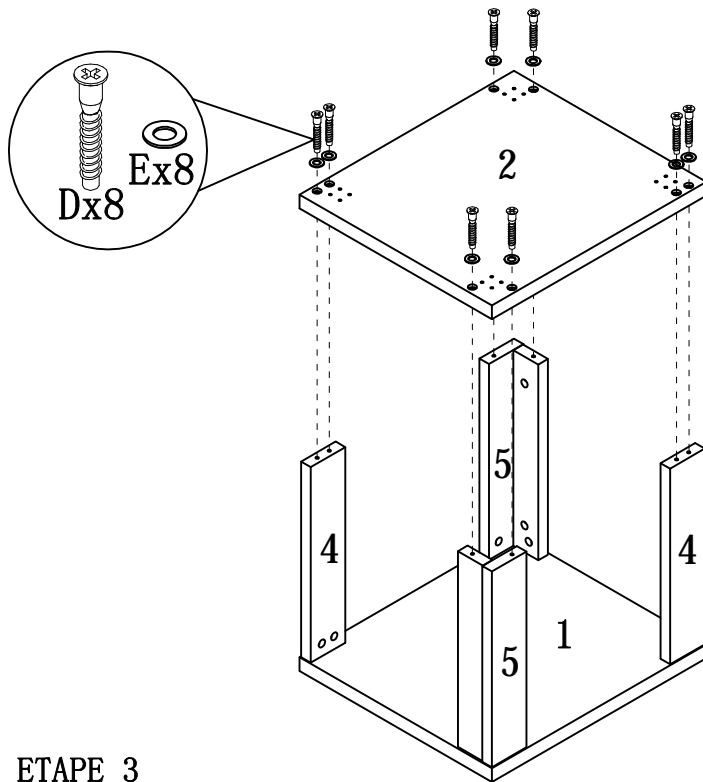


STEP 1 / ETAPE 1

STEP 2 / ETAPE 2



ITEM NO/NO ARTICLE:FLYNNETB/192590ET



STEP 3 / ETAPE 3

STEP 4 / ETAPE 4

