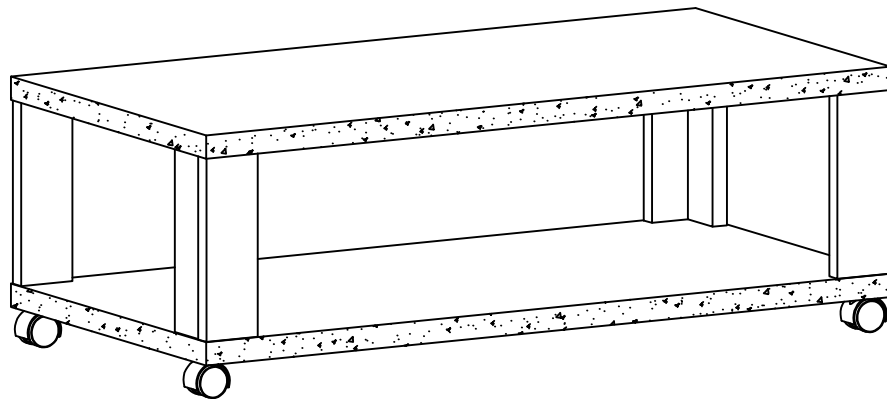


ASSEMBLY INSTRUCTIONS /  
INSTRUCTIONS D'ASSEMBLAGE

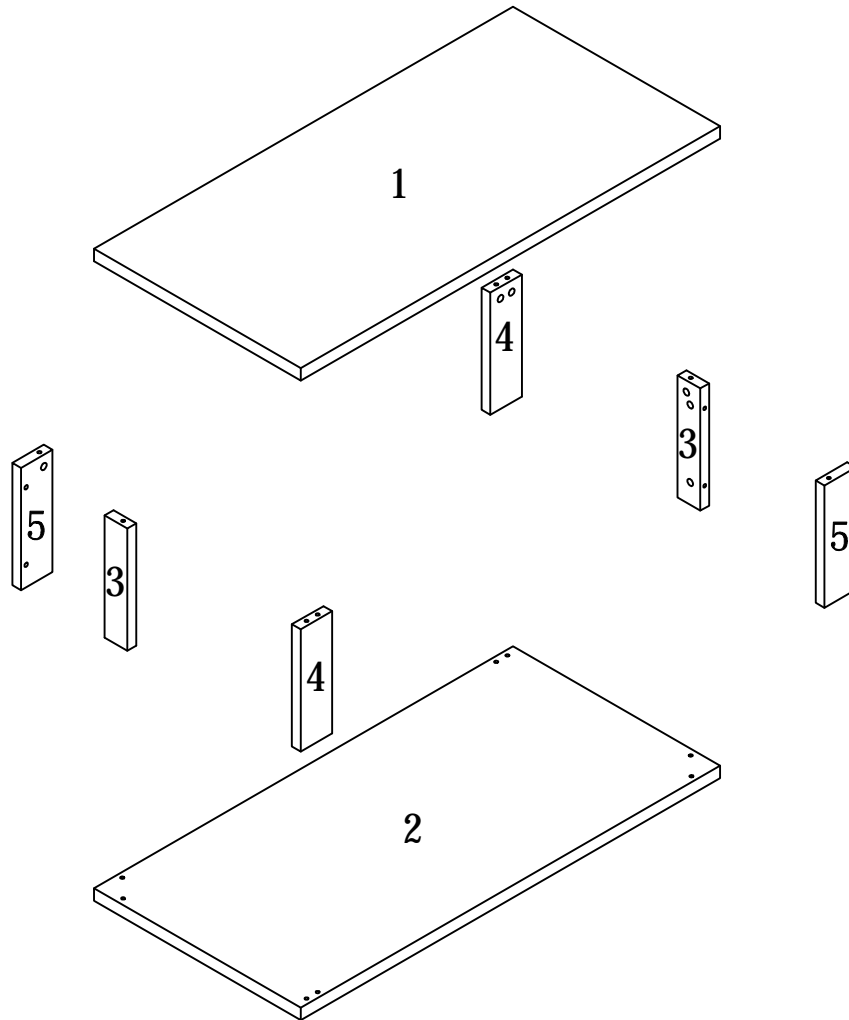
---

ITEM NO/NO ARTICLE:FLYNNCTB/192590CT



# PARTS IDENTIFICATIONS / IDENTIFICATION DES PIECES









ITEM NO/NO ARTICLE:FLYNNCTB/192590CT



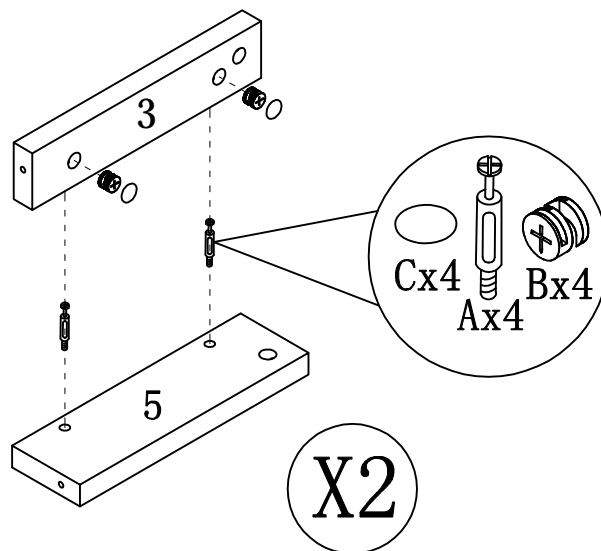
- (1) 1pc/pce
- (2) 1pc/pce
- (3) 2pcs/pces
- (4) 2pcs/pces
- (5) 2pcs/pces

HARDWARE IDENTIFICATIONS/  
IDENTIFICATION DU KIT D'ASSEMBLAGE

ITEM NO/NO ARTICLE:FLYNNCTB/192590CT

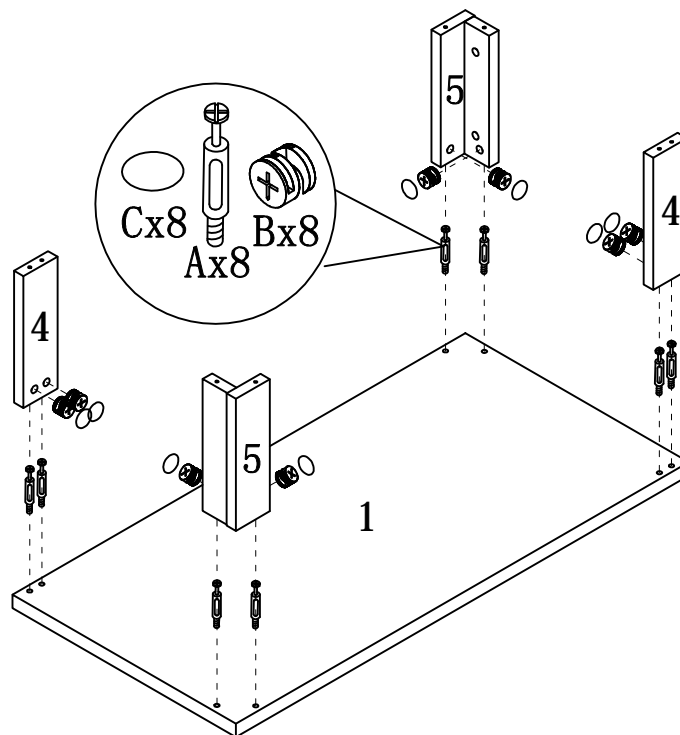
A		$\Phi 15$	12pcs/pces
B		L29	12pcs/pces
C		$\Phi 22$	12pcs/pces
D		$\Phi 7 \times 58$	8pcs/pces
E		$\Phi 8 \times \Phi 16 \times 2$	8pcs/pces
F		H=55	2pcs/pces
G		H=55	2pcs/pces
H		$\Phi 4 \times 25$	16pcs/pces

ITEM NO/NO ARTICLE:FLYNNCTB/192590CT

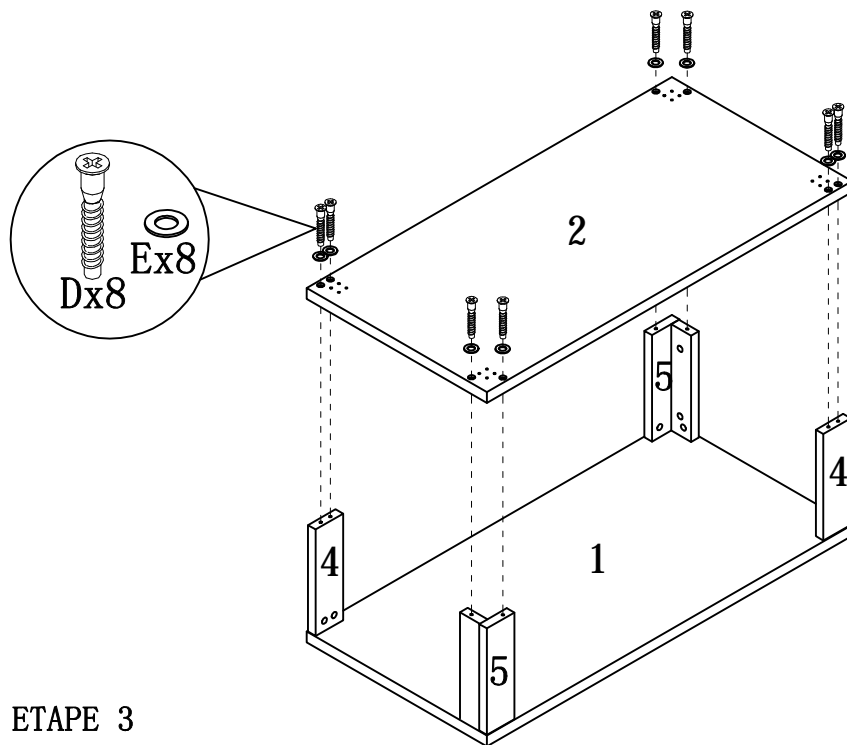


STEP 1 / ETAPE 1

STEP 2 / ETAPE 2



ITEM NO/NO ARTICLE:FLYNNCTB/192590CT



STEP 3 / ETAPE 3

STEP 4 / ETAPE 4

