

# GAS RANGE use & care

Introduction. . . . .	2	Before Setting Oven Controls. . . . .	19
Important Safety Instructions. . . . .	3	Setting Oven Controls . . . . .	20
Cooking Recommendations. . . . .	10	Care and Cleaning . . . . .	32
Before Setting Surface Controls . . . . .	13	Before You Call . . . . .	38
Setting Surface Controls. . . . .	16	Warranty . . . . .	42

# 2

## INTRODUCTION

### Welcome to our family

Thank you for bringing Frigidaire into your home! We see your purchase as the beginning of a long relationship together.

This manual is your resource for the use and care of your product. Please read it before using your appliance. Keep it handy for quick reference. If something doesn't seem right, the troubleshooting section will help you with common issues.

FAQs, helpful tips and videos, cleaning products, and kitchen and home accessories are available at [www.frigidaire.com](http://www.frigidaire.com).

We are here for you! Visit our website, chat with an agent, or call us if you need help. We may be able to help you avoid a service visit. If you do need service, we can get that started for you.

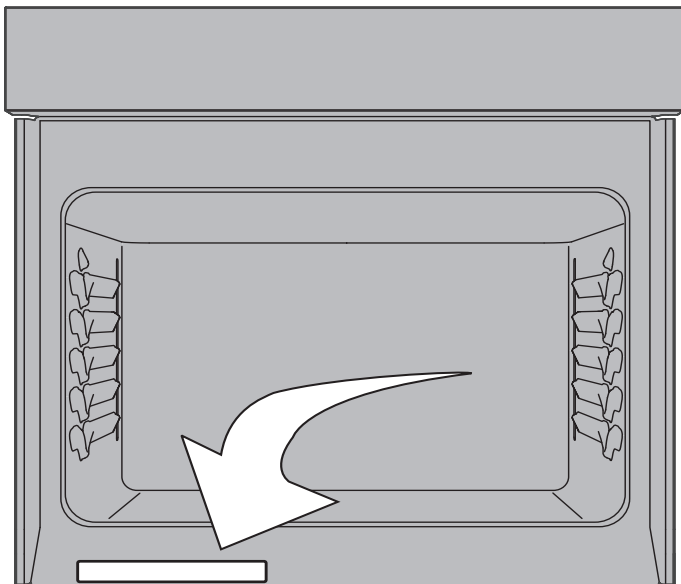
Let's make it official! Be sure to register your product.

Keep your product info here so it's easy to find.

Model Number: \_\_\_\_\_

Serial Number: \_\_\_\_\_

Purchase Date: \_\_\_\_\_



Serial Number Location



### Installation Checklist

- Read all the safety instructions in the front of your Use & Care Manual.
- Remove all packaging materials from your appliance before cooking.
- Confirm that the electrical power to the appliance is turned on.
- Confirm that the gas regular is turned on. Check your installation instructions if you need help.
- Wipe out the inside of the oven cavity with a damp cloth.
- Apply a thin layer of cooking oil to the sides of the oven racks to keep them gliding smoothly.
- Set the clock. See (“Setting the Clock” on page 20) for instructions.
- Test all surface elements/burners to make sure they are working properly (“Setting surface controls” on page 16).
- Before cooking, set the oven to bake at 350°F (177°C) for 30 minutes (“Setting Bake” on page 23). Some noise and odors are normal on the first cooking cycle.
- Remember to complete your product registration!


Read all instructions before using this appliance.

This manual contains important safety symbols and instructions. Please pay attention to these symbols and follow all instructions given.

Do not attempt to install or operate your appliance until you have read the safety precautions in this manual. Safety items throughout this manual are labeled with a WARNING or CAUTION statement based on the risk type.

Warnings and important instructions appearing in this guide are not meant to cover all possible conditions and situations that may occur. Common sense, caution, and care must be exercised with installing, maintaining, or operating your appliance.

## DEFINITIONS

 This is the safety alert symbol. It is used to alert of potential personal injury hazards. Obey all safety messages that follow this symbol to avoid possible injury or death.

### **WARNING**

Indicates a potentially hazardous situation which, if not avoided, may result in death or serious injury.

### **CAUTION**

Indicates a potentially hazardous situation which, if not avoided, may result in minor or moderate injury.

### **IMPORTANT**

Indicates installation, operation or maintenance information which is important but not hazard-related.

### **NOTE**

Indicates a short, informal reference – something written down to assist the memory or for future reference.

### **WARNING**

If the information in this manual is not followed exactly, a fire or explosion may result, causing property damage, personal injury, or death.

FOR YOUR SAFETY:

- Do not store or use gasoline or other flammable vapors and liquids in the vicinity of this or any other appliance.

WHAT TO DO IF YOU SMELL GAS:

- Do not try to light any appliance.
- Do not touch any electrical switch, do not use any phone in your building.
- Immediately call your gas supplier from a neighbor's phone. Follow the gas supplier's instructions.
- If you cannot reach your gas supplier, call the fire department.

Installation and service must be performed by a qualified installer, servicer, or the gas supplier.

### **WARNING**

Never operate the top surface cooking section of this appliance unattended.

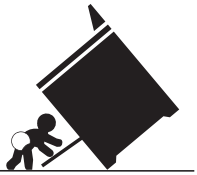
- Failure to follow this warning statement could result in fire, explosion, or burn hazard that could cause property damage, personal injury, or death.
- If a fire should occur, keep away from the appliance and immediately call your fire department.

**DO NOT ATTEMPT TO EXTINGUISH AN OIL/GREASE FIRE WITH WATER.**

# 4

## IMPORTANT SAFETY INSTRUCTIONS

### WARNING



#### Tip Over Hazard

- **A child or adult can tip the range and be killed.**
- **Verify the anti-tip device has been installed to floor or wall.**

- **Ensure the anti-tip device is re-engaged to floor or wall when the range is moved.**
- **Do not operate the range without the anti-tip device in place and engaged.**
- **Failure to follow these instructions can result in death or serious burns to children and adults.**



To check if the anti-tip bracket is installed properly, use both arms to grasp the rear edge of the range back. Carefully attempt to tilt range forward. When properly installed, the range should not tilt forward.

Refer to the anti-tip bracket installation instructions supplied with your range for proper installation.

### IMPORTANT INSTRUCTIONS FOR UNPACKING AND INSTALLATION

#### IMPORTANT

Read and follow the below instructions and precautions for unpacking, installing, and servicing your appliance.

Remove all tape and packaging before using the appliance. Destroy the carton and plastic bags after unpacking the appliance.

Never allow children to play with packaging material. Do not remove the wiring label and other literature attached to the appliance. Do not remove model/serial number plate.

Cold temperatures can damage the electronic control. When using this appliance for the first time, or when the appliance has not been used for an extended period of time, be sure the appliance has been in temperatures above 32°F (0°C) for at least 3 hours before turning on the power to the appliance.

All materials used in construction of cabinets, enclosures, and supports surrounding the product must have a temperature rating above 200°F (94°C).

Never modify or alter the construction of the appliance by removing the leveling legs, panels, wire covers, anti-tip brackets/screws, or any other part of the appliance.

Be sure to have an appropriate foam-type fire extinguisher available, visible, and easily accessible located near the appliance.

### WARNING

Air curtain or other overhead range hoods that operate by blowing a downward air flow onto a range or cooktop shall not be used in conjunction with gas ranges or cooktops other than when the range or cooktop and hood have been designed, tested, and listed by an independent test laboratory for use in combination with each other.

**GROUNDING INSTRUCTIONS**

**! WARNING**

- Avoid fire hazard or electrical shock. Failure to follow this warning may cause serious injury, fire, or death.
- Avoid fire hazard or electrical shock. Do not use an adapter plug, use an extension cord, or remove grounding prong from the power cord. Failure to follow this warning may cause serious injury, fire, or death.

Proper Installation—Be sure your appliance is properly installed and grounded by a qualified technician. In the United States, install in accordance with the National Fuel Gas Code ANSI Z223.1/NPFA No. 54, latest edition and National Electrical Code NFPA No. 70 latest edition, and local electrical code requirements. In Canada, install in accordance with CAN/CGA B149.1 and CAN/CGA B149.2 and CSA Standard C22.1, Canadian Electrical code, Part 1-latest editions and local electrical code requirements. Install only per installation instructions provided in the literature package for this appliance.

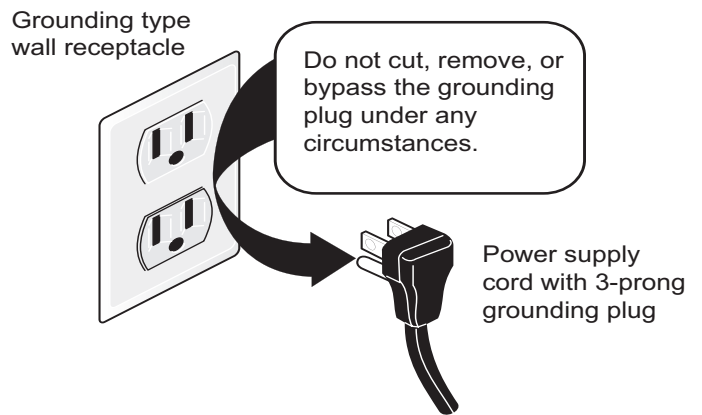
For personal safety, this appliance must be properly grounded. For maximum safety, the power cord must be securely connected to an electrical outlet or junction box that is the correct voltage, is correctly polarized and properly grounded, and protected by a circuit breaker in accordance with local codes.

It is the personal responsibility of the consumer to have the appropriate outlet or junction box with the correct, properly grounded wall receptacle installed by a qualified electrician. It is the responsibility and obligation of the consumer to contact a qualified installer to assure that the electrical installation is adequate and

is in conformance with all local codes and ordinances.

This appliance is equipped with a 3-prong grounding plug for your protection against shock hazard and should be plugged directly into a properly grounded receptacle. Do not cut or remove the grounding prong from this plug.

For personal safety, the appliance must be properly grounded. For maximum safety, the power cord must be plugged into an electrical outlet that is correctly polarized and properly grounded.



If a 2-prong wall receptacle is the only available outlet, it is the personal responsibility of the consumer to have it replaced with a properly grounded 3-prong wall receptacle, installed by a qualified technician.

# 6

## IMPORTANT SAFETY INSTRUCTIONS

### Conversion to (L.P.) Gas

This appliance allows for conversion to Liquefied Petroleum (L.P.) Gas.

#### **WARNING**

Personal injury or death from electrical shock may occur if the conversion to L.P. gas is not made by a qualified installer or electrician. Any additions, changes or conversions required in order for this appliance to satisfactorily meet the application needs must be made by a qualified technician.

If L.P. conversion is needed, contact your local L.P. Gas provider for assistance.

See the installation instructions packaged with this appliance for complete installation and grounding instructions.

### IMPORTANT INSTRUCTIONS FOR USING THE APPLIANCE

#### **WARNING**

- Storage In or On Appliance—Flammable materials should not be stored in an oven or microwave, near surface burners or elements, or in the storage or warmer drawer (if equipped). This includes paper, plastic, and cloth items, such as cookbooks, plastic ware, and towels, as well as flammable liquids. Do not store explosives, such as aerosol cans, on or near the appliance.

#### **WARNING**

- Do not leave children alone - Children should not be left alone or unattended in the area where appliance is in use. They should never be allowed to sit or stand on any part of the appliance, including the storage drawer, lower broiler drawer, warmer drawer, or lower double oven.
- Do not store items of interest to children in the cabinets above the appliance or on the backguards of ranges. Children climbing on or near the appliance to reach items could be seriously injured.
- Do not allow children to climb or play around the appliance. The weight of a child on an open oven door may cause the appliance to tip, resulting in serious burns or other injury. An open drawer when hot may cause burns.
- Stepping, leaning, or sitting on the door or drawers of this appliance can result in serious injuries and also cause damage to the appliance.
- Never cover any slots, holes or passages in the oven bottom or cover and entire rack with materials such as aluminum foil. Doing so blocks air flow through the oven and may cause carbon monoxide poisoning. Aluminum foil linings may also trap heat, causing a fire hazard.
- Do not use oven or warmer drawer (if equipped) for storage.
- Never use your appliance as a space heater to heat or warm the room. Doing so may result in carbon monoxide poisoning and overheating of the appliance.

 **CAUTION**

- When heating fat or grease, watch it closely. Grease may catch fire if it becomes too hot.
- Do not use water or flour on grease fires. Smother fire or flame or use dry chemical or foam-type extinguisher. Cover the fire with a pan lid or use baking soda.
- Use dry potholders. Moist or damp potholders on hot surfaces may result in burns from steam. Do not let potholders touch hot cooking areas. Do not use towels or other bulky cloths.
- Do not heat unopened food containers - Build-up of pressure may cause container to burst and result in injury.
- Wear proper apparel - Loose-fitting or hanging garments should never be worn while using the appliance. Do not let clothing or other flammable materials contact hot surfaces.
- Do not touch surface burners or elements, areas near these burners or elements, interior surfaces of the oven, or the warmer drawer (if equipped). Surface burners and elements may be hot even though they appear cool. Areas near surface burners and elements may become hot enough to cause burns. During and after use, do not touch, or let clothing or other flammable materials touch these areas until they are cool. These areas may include the cooktop, surfaces facing the cooktop, oven vent areas, oven door, and oven window.

 **CAUTION**

- Do not attempt to operate the appliance during a power failure. If the power fails, always turn off the appliance. If the appliance is not turned off and the power resumes, electric surface elements may resume operation when power is restored. Once the power resumes, reset the clock and the oven function.

**IMPORTANT INSTRUCTIONS FOR USING YOUR GAS COOKTOP**

 **CAUTION**

Use Proper Flame Size — Adjust flame size so it does not extend beyond the edge of the utensil. The use of undersized utensils will expose a portion of the burner flame to direct contact and may result in ignition of clothing. Proper relationship of utensil to flame will also improve efficiency.

Know which knob or key controls each surface heating area. Place cookware with food on the cooking area before turning it on. Turn the cooking area off before removing the cookware.

Use proper pan size. This appliance is equipped with one or more surface units of different sizes. Select cookware with flat bottoms that match the surface unit heating element. The use of undersized cookware may expose a portion of the flame to direct contact and may result in the ignition of clothing or other items. Using the proper cookware on the cooking areas will improve efficiency.

Always turn knob to the full LITE position when igniting top burners. Visually check that burner has lit. Then adjust the flame so it does not extend beyond the edge of the utensil.

# 8

## IMPORTANT SAFETY INSTRUCTIONS

---

To reduce the risk of burns, ignition of flammable materials, and spillage due to unintentional contact with the utensil, the handle of the utensil should be positioned so that it is turned inward, and does not extend over adjacent surface burners

Never leave surface burners unattended at high heat settings — Boil overs cause smoking and greasy spill overs that may ignite, or a pan that has boiled dry may melt.

Glazed cooking utensils — Only certain types of glass, glass/ceramic, ceramic, earthenware, or other glazed utensils are suitable for cook top service without breaking due to the sudden change in temperature. Check the manufacturer's recommendations for cook top use.

When you are flaming foods under a ventilating hood, turn the fan on.

### IMPORTANT INSTRUCTIONS FOR USING YOUR OVEN

Protective liners—Do not use aluminum foil, aftermarket oven liners, or any other materials or devices to line oven bottom, oven racks, or any other part of the appliance. Only use aluminum as recommended for baking, such as lining cookware or as a cover placed on food. Any other use of protective liners or aluminum foil may result in a risk of electric shock or fire or a short circuit.

Use care when opening oven door, lower oven door, or warmer drawer (some models). Stand to the side of the appliance when opening the door of a hot oven. Let hot air or steam escape before you remove or replace food in the oven.

Keep oven vent ducts unobstructed. Touching surfaces in this area when the oven is on may cause severe burns. Do not place plastic or heat-sensitive items on or near the oven vent. These items can melt or ignite.

Placement of oven racks - Always place oven racks in desired location while oven is cool. If rack must be moved while oven is hot, do not let potholder contact hot burner or element in oven. Use potholders and grasp the rack with both hands to reposition. Remove all cookware and utensils before moving the rack.

Do not use a broiler pan without its insert. Broiler pans and inserts allow dripping fat to drain away from the high heat of the broiler. Do not cover the broiler insert with aluminum foil; exposed fat and grease could ignite.

Do not cook food on the oven bottom. Always cook in proper cookware and always use the oven racks.

### IMPORTANT INSTRUCTIONS FOR CLEANING YOUR APPLIANCE



#### CAUTION

Before manually cleaning any part of the appliance, be sure all controls are turned off and the appliance is cool. Cleaning a hot appliance can cause burns.

Clean the appliance regularly to keep all parts free of grease that could catch fire. Do not allow grease to accumulate. Greasy deposits in the fan could catch fire.

Always follow the manufacturer's recommended directions for use of kitchen cleaners and aerosols. Be aware that excess residue from cleaners and aerosols may ignite causing damage and injury.



Clean ventilating hoods frequently - Grease should not be allowed to accumulate on hood or filter. Follow the manufacturer's instructions for cleaning vent hoods.

**IMPORTANT INSTRUCTIONS FOR SELF CLEANING OVENS** **CAUTION**

Before using self clean, remove the broiler pan, any food, utensils, and cookware from the oven, storage drawer or warming drawer (if equipped). Remove oven racks unless otherwise instructed.

Do not clean the oven door gasket. The door gasket is essential for a good seal. Care should be taken not to rub, damage, or move the gasket.

Do not use a protective coating to line the oven and do not use commercial oven cleaner unless certified for use in a self-cleaning oven.

Use the self clean cycle to clean only the parts listed in this manual.

Some birds are extremely sensitive to the fumes given off during the self clean cycle of any oven. Move birds to another well-ventilated room.

**IMPORTANT INSTRUCTIONS FOR SERVICE AND MAINTENANCE**

Do not repair or replace any part of the appliance unless specifically recommended in the manuals. All other servicing should be done only by a qualified technician. This reduces the risk of personal injury and damage to the appliance.

Always contact your dealer, distributor, service agent, or manufacturer about problems or conditions you do not understand.

Ask your dealer to recommend a qualified technician and an authorized repair service. Know how to disconnect the power to the appliance at the circuit breaker or fuse box in case of an emergency.

Remove the oven door from any unused oven if it is to be stored or discarded.

Do not touch a hot oven light bulb with a damp cloth. Doing so could cause the bulb to break. Handle halogen lights (if equipped) with paper towels or soft gloves. Disconnect the appliance or shut off the power to the appliance before removing and replacing the bulb.

 **WARNING**




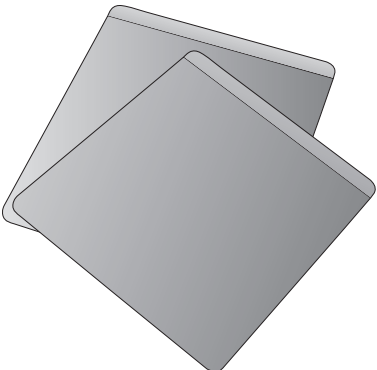
California Residents: for cancer and reproductive harm information, visit [www.P65Warnings.ca.gov](http://www.P65Warnings.ca.gov)

---

# 10 COOKING RECOMMENDATIONS

## Bakeware

The material of bakeware affects how evenly and quickly it transfers heat from the pan to the food.

Material	Attributes	Recommendation
<p>Shiny metal bakeware</p> 	<p>Shiny, aluminum, and non-coated bakeware is the best for even heating. It is suitable for all baked goods.</p>	<p>Recommended cooking temperatures and times are based on shiny metal bakeware.</p>
<p>Dark metal bakeware</p> 	<p>Dark bakeware cooks hotter than shiny bakeware.</p>	<p>Reduce the cooking temperature by 25° F (13-14° C) when using dark bakeware.</p>
<p>Glass bakeware</p> 	<p>Glass bakeware cooks hotter than shiny bakeware.</p> <p>Glass is convenient, as the same piece of bakeware can be used for cooking, serving, and storing food.</p>	<p>Reduce the cooking temperature by 25° F (13-14° C) when using glass bakeware.</p>
<p>Insulated bakeware</p> 	<p>Insulated bakeware cooks cooler than shiny bakeware.</p> <p>Insulated bakeware is designed for baking in gas ovens.</p>	<p>Increase the cooking temperature by 25° F (13-14° C) when using insulated bakeware.</p>

**Cooking Conditions**

Conditions in your kitchen can affect the performance of your appliance when cooking food.

<b>Condition</b>	<b>Attributes</b>	<b>Recommendation</b>
Aging cookware	As pans age and become discolored, cooking times may need to be reduced slightly.	If food is too dark or overcooked, use the minimum cook time in the recipe or packaging.  If food is too light or undercooked, use the middle to maximum cook time in the recipe or packaging.
High altitude	Air is drier and air pressure is lower.  Water boils at a lower temperature, and liquids evaporate faster.  Foods may take longer to bake.  Doughs may rise faster.	Adjust cooking temperature, cooking time, or recipes as needed.  Increase amount of liquid in baking recipes.  Increase cook time on cooktop. Cover dishes to reduce evaporation.  Increase bake time or oven temperature.  Reduce amount of baking soda or baking powder in recipe. Reduce rising time or punch down dough and allow it to rise twice.

**Cooking Results**

Small adjustments may fix a problem with food not being as done as you like or more done than you like.

<b>Result</b>	<b>Recommendation</b>
Food too light	Use the middle to maximum cook time recommended on packaging or recipe.
Food too dark	Use the minimum cook time recommended on packaging or recipe.

**Cooking Tips**

Use these additional tips to get the best results from your appliance.

<b>Situation</b>	<b>Recommendation</b>
<b>Baking</b>	
Rack placement	Follow the instructions in “Setting Oven Controls” on page 21.  When using only one rack, place the rack so the food is in the center of the oven.
Preheat	Fully preheat the oven before baking items like cookies, cakes, biscuits and breads. Insert food immediately after the beep.
Checking food	Use the window and oven light when checking food. Opening the door may reduce baking performance.
Bake or Convection Bake	Convection bake is the best function to use for baking on multiple racks. For best performance, see “Convection Bake” on page 26.
Food placement	Allow at least 2 inches (5 cm) of space between bakeware for proper air circulation.

# 12 COOKING RECOMMENDATIONS

---

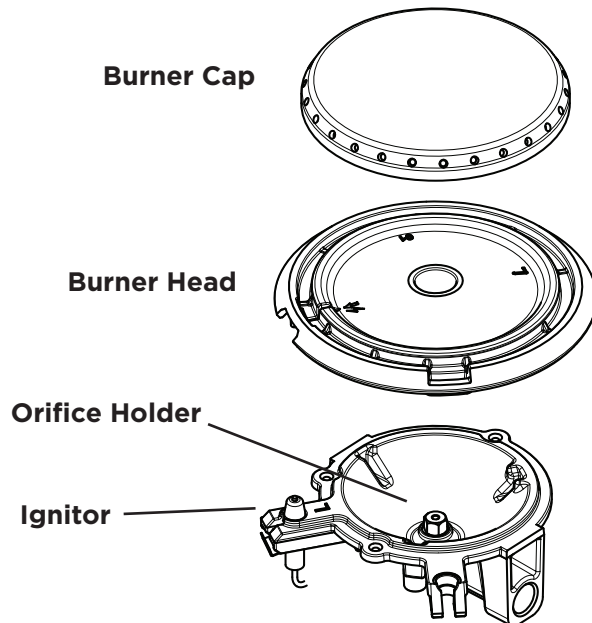
Material	Recommendation
<b>Broiling / Roasting</b>	
Broiling pan	<p>For best results when broiling, use a broil pan with a broil pan insert designed to drain the fat from the food, help avoid spatter, and reduce smoking. The broiler pan will catch grease spills, and the insert helps prevent grease splatters.</p> <p>If a broiler pan and insert are not supplied with this appliance, they may be purchased from <a href="http://Frigidaire.com">Frigidaire.com</a>.</p>
<b>Convection Cooking</b>	
Convection attributes	<p>Convection cooking uses a fan to circulate hot air around the oven and food. It browns food more evenly and reduces hot spots in the oven.</p> <p>Convection saves time when using multiple racks or cooking several food items at once.</p>
Convection bake	<p>Reduce cooking temperature by 25° F (13-14° C) from the recipe unless the recipe is written for convection baking.</p> <p>Preheat the oven for best results.</p>

### Gas surface burner types

The cooktop is equipped with gas surface burners with different BTU ratings. The ability to heat food quickly and in large amounts increases as the burner size increases.

- Small burners are best used for low-flame heating of small amounts of food.
- Standard burners can be used for most surface cooking needs.
- The largest burner is best used for bringing large quantities of liquid rapidly up to temperature or when preparing larger quantities of food. The large burner is located at the right front position on the cooktop.

Regardless of size, always select cookware that is suitable for the amount and type of food being prepared. Select a burner and set the flame size appropriately for the pan. Never allow flames to extend beyond the outer edge of the pan.



**Figure 1: Burner cap, burner head, ignitor, and orifice**

### Assembly of the Burner Caps

Make sure that all of the surface burner caps and surface burner grates are installed correctly and at the correct locations.

1. Remove all packing material from the cooktop area.
2. Make sure burner head and caps are properly placed on the surface burners.

**Important:** The burner head has a hole which fits over the ignitor. Make sure the head fits snugly before placing the burner caps.

**Note:** Unpack the burner grates and position them on the cooktop after the burner heads and caps are properly installed.

### CAUTION

- Do not allow spills, food, cleaning agents, or any other material to enter the gas orifice holder opening.
- Always keep the burner caps and burner heads in place whenever the surface burners are in use.
- Never place flammable items on the cooktop.

# 14 BEFORE SETTING SURFACE CONTROLS

## Using Proper Cookware

The size and type of cookware used will influence the heat setting needed for best cooking results. Be sure to follow the recommendations for using proper cookware as illustrated in “Figure 2: Testing cookware” and “Figure 3: Proper cookware”.

Check for flatness by rotating a ruler across the bottom of the cookware (see “Figure 2: Testing cookware”). Cookware should have flat bottoms that make good contact with the entire surface of the heating element.

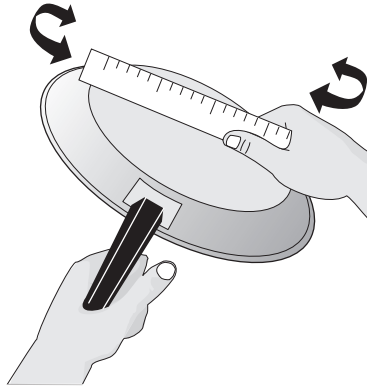
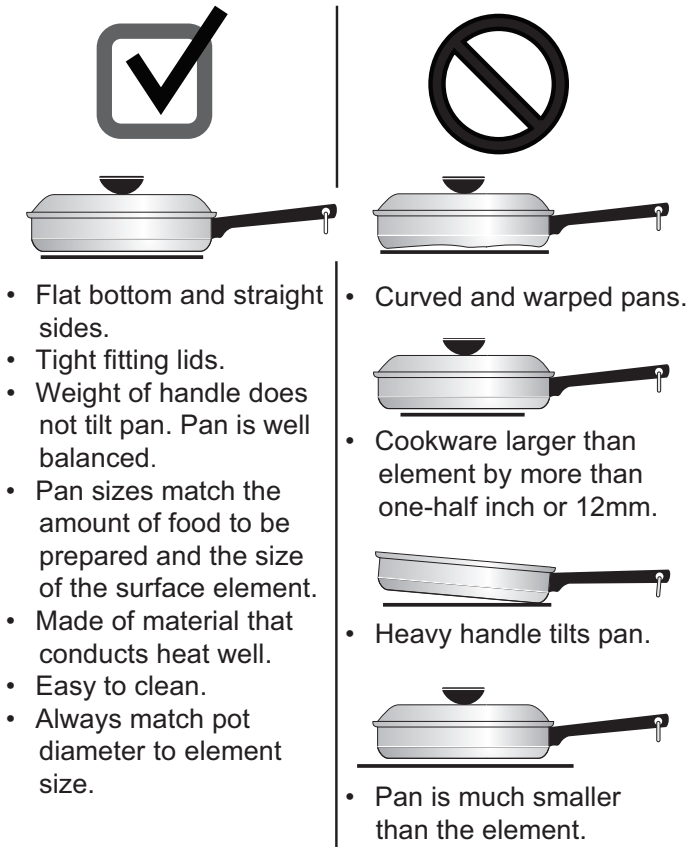


Figure 2: Testing cookware



- Flat bottom and straight sides.
- Tight fitting lids.
- Weight of handle does not tilt pan. Pan is well balanced.
- Pan sizes match the amount of food to be prepared and the size of the surface element.
- Made of material that conducts heat well.
- Easy to clean.
- Always match pot diameter to element size.

- Curved and warped pans.
- Cookware larger than element by more than one-half inch or 12mm.
- Heavy handle tilts pan.
- Pan is much smaller than the element.

Figure 3: Proper cookware

## Cookware Material Types

The cookware material determines how evenly and quickly heat is transferred from the surface element to the pan bottom. The most popular materials available are:

- **Aluminum** - Excellent heat conductor. Some types of food will cause it to darken (Anodized aluminum cookware resists staining and pitting).
- **Copper** - Excellent heat conductor but discolors easily (see Aluminum).
- **Stainless** - Slow heat conductor with uneven cooking results. Durable, easy to clean, and resists staining.
- **Cast Iron** - A slow heat conductor, but will retain heat very well. Cooks evenly once cooking temperature is reached.
- **Porcelain-enamel on metal** - Heating characteristics will vary depending on base material.
- **Glass** - Slow heat conductor.

### IMPORTANT

Do not place empty aluminum, glass, or porcelain-enamel coated cookware on the element. The melting point of cookware made with these materials may be reached quickly, especially if left empty. If the cookware melts it will damage the cooktop. Follow all the cookware manufacturer's recommendations for use and care of cookware.

### IMPORTANT

NEVER place or straddle a cooking utensil over two different surface cooking areas at the same time. Incorrect use may damage the cooktop.

### Install Burner Grates

To install burner grates, place the grates flat-side down and align them into the cooktop recess..

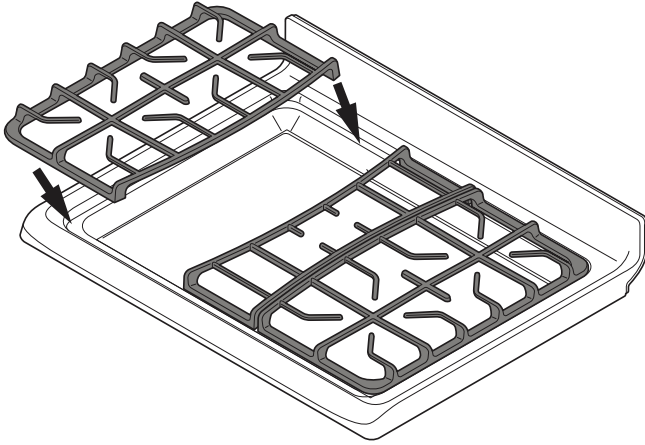


Figure 4: Grate installation

### IMPORTANT

- Make sure the burner grates are properly placed on the cooktop before using the surface burners (Figure 4). The grates are designed to rest inside the recess on the cooktop.
- Grates should rest flush against each other and against the sides of the recess.
- Do not line the area underneath the grates or any part of the cooktop with aluminum foil or with any other lining.

### Home Canning

Be sure to read and observe all the following points when home canning with your appliance. Check with the USDA (United States Department of Agriculture) Web site and be sure to read all the information they have available as well as follow their recommendations for home canning procedures.

- Use only a completely flat bottom canner with no ridges that radiate from the bottom center when home canning. Heat is spread more evenly when the bottom surface is flat. Use a straight-edge to check canner bottom.
- Make sure the diameter of the canner does not exceed 1 inch beyond the surface element markings or burner.
- It is recommended to use smaller diameter canners on electric coil and ceramic glass cooktops and to center canners on the burner grates.
- Start with hot tap water to bring water to boil more quickly.
- Use the highest heat setting when first bringing the water to a boil. Once boiling is achieved, reduce heat to lowest possible setting to maintain that boil.
- Use tested recipes and follow instructions carefully. Check with your local Cooperative Agricultural Extension Service or a manufacturer of glass jars for the latest canning information.
- It is best to can small amounts and light loads.

Do not leave water bath or pressure canners on high heat for an extended amount of time.

# 16 SETTING SURFACE CONTROLS

## Setting surface controls

The ability to heat food quickly and in large volumes increases as the burner size increases. Your gas appliance may be equipped with many different sized surface burners.

It is important to select cookware that is suitable for the amount and type of food being prepared. Select a burner and flame size appropriate for the cookware size.

- The standard size burner or burners may be used for most surface cooking needs.
- Small burners are best used for low-flame heating of small amounts of food.
- Large burners are best for bringing large quantities of liquid to temperature or heating larger quantities of food.

Setting a surface burner:

1. Place cooking utensil on center of surface burner grate. Be sure the cooking utensil rests stable on the burner grate.
2. Push the burner's surface control knob in and turn counterclockwise out of the OFF position (Figure 1).
3. Release the surface control knob and rotate to the LITE position (🔥). Visually check that the burner has a steady gas flame.
4. Once the surface burner has a flame, push the surface control knob in and turn counterclockwise to the desired flame size setting. Adjust the flame as needed using the knob markings.

### ⚠ CAUTION

**Do not** place flammable items such as plastic wrappings, spoon holders, or plastic salt and pepper shakers on the cooktop when it is in use. These items could melt or ignite. Potholders, towels, or wooden spoons could catch fire if placed too close to the surface burners.

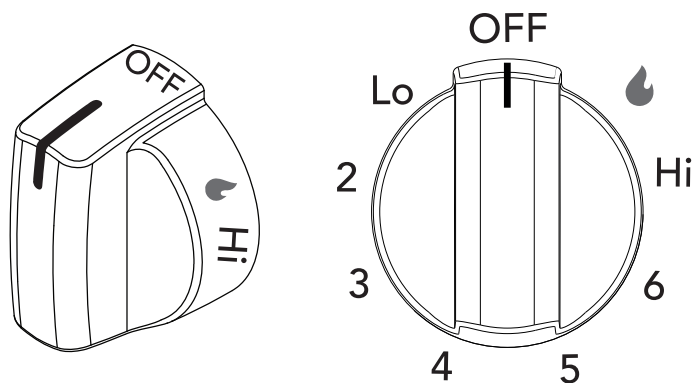


Figure 5: Surface control knob

### 📌 NOTES

- When setting a surface control knob to the lite position, all of the electronic surface igniters will spark at the same time. However, only the surface burner you are setting will ignite.
- In the event of an electrical power outage, the surface burners may be lit manually. To light a surface burner, hold a lit match to the burner head, then slowly turn the surface control knob to lite. Once the burner ignites, push in and turn knob out of lite then to the desired flame setting. Use caution when lighting surface burners manually.

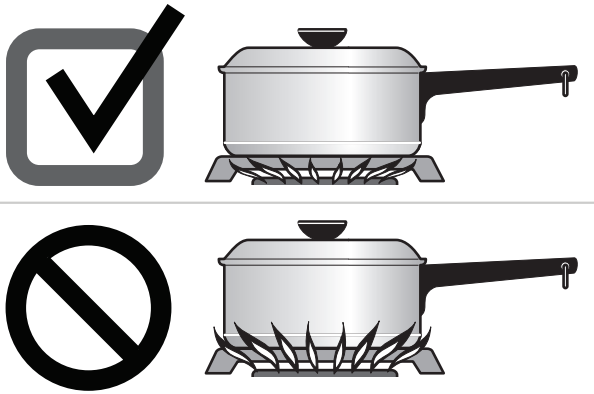
### Set proper burner flame size

The color of the flame is the key to proper burner adjustment. A good flame is clear, blue and hardly visible in a well-lighted room. Each cone of flame should be steady and sharp. Adjust or clean the burner if flame is yellow-orange.

**For most cooking:** start on the highest setting and then turn to a lower setting to complete the process. Use the recommendations below as a guide for determining proper flame size for various types of cooking (Table 1).

**For deep fat frying:** use a thermometer and adjust the surface knob accordingly. If the fat is too cool, the food will absorb the fat and be greasy. If the fat is too hot, the food will brown so quickly that the center will be under-cooked. Do not attempt to deep fat fry too much food at once as the food will neither brown nor cook properly.





**Figure 7: Proper burner flame**

Flame size	Type of cooking
High flame	Start most foods; bring water to a boil; pan broiling
Medium flame	Maintain a slow boil; thicken sauces, gravies; steaming
Low flame	Keep foods cooking; poaching; stewing

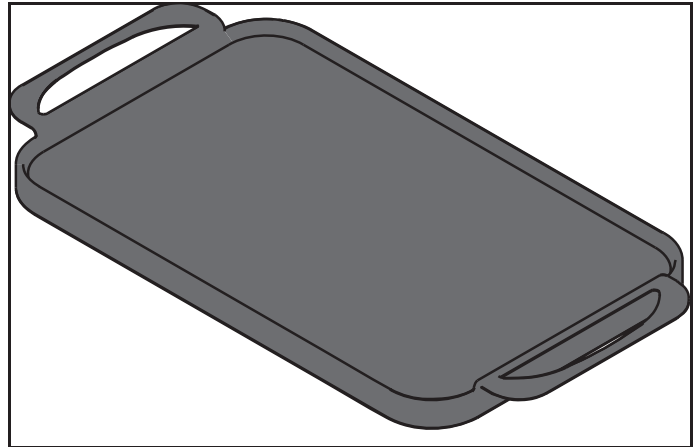
These settings are based on medium-weight metal or aluminum pans with lids. Settings may vary when using other types of pans.

**Table 1: Recommended flame settings for cooking**

**! CAUTION**

Never extend the flame beyond the outer edge of the cooking utensil. A higher flame wastes energy, and increases your risk of being burned by the flame (“Figure 7: Proper burner flame” on page 17).

**Cooking with a griddle (some models)**



**Figure 6: Griddle**

The griddle is a versatile accessory that is perfect for cooking foods that require large flat surfaces such as pancakes, French toast, grilled sandwiches, bacon, and also for cooking different foods at the same time.

After use, let the griddle cool before washing. Hand wash with hot soapy water. Do not soak. Dry thoroughly. Do not put a griddle in a dishwasher.

If you would like to purchase a griddle, you can order one from [Frigidaire.com](http://Frigidaire.com).

**Using the griddle:**

Place the griddle securely on top of the burner grates. Preheat the griddle for 5 minutes on medium to medium low setting. Slow preheat ensures even heat distribution during the cooking process. **DO NOT** preheat the griddle on HI setting. Preheating on HI may warp the griddle and prevent even heat distribution.

# 18 BEFORE SETTING OVEN CONTROLS

## Oven Vent Location

The oven is vented as shown below. When the oven is on, warm air is released through the vent. This venting is necessary for proper air circulation in the oven and good baking results. Do not block oven vent. Never close off the openings with aluminium foil or any other material. Steam or moisture may appear near the oven vent. This is normal.

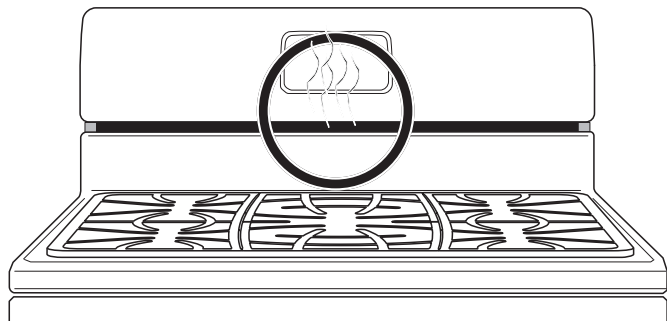


Figure 9: Oven vent

### WARNING

**Protective Liners** — Do not use aluminum foil or any other material or liners to line the oven bottom, walls, racks or any other part of the range. Doing so will alter the heat distribution, produce poor baking results, and possibly cause permanent damage to the oven interior. Improper installation of these liners may result in risk of electric shock or fire. During self clean, temperatures in the oven will be hot enough to melt foil.

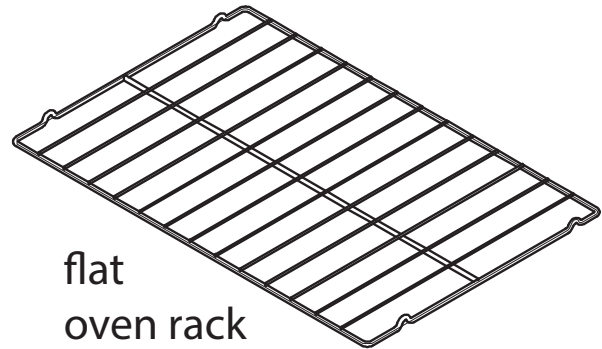
### CAUTION

Always use pot holders or oven mitts when using the oven. When cooking, the oven interior, oven exterior, oven racks, and cooktop will become very hot which can cause burns.

Remove all oven racks before starting a self clean cycle. If oven racks are left inside the oven during a cleaning cycle, the slide ability of the oven racks may be damaged and all of the oven racks will lose their shiny finish.

To prevent possible damage to the oven, do not attempt to close the oven door until all the oven racks are fully positioned back inside the oven cavity.

## Types of Oven Rack



flat  
oven rack

Figure 8: Oven rack types

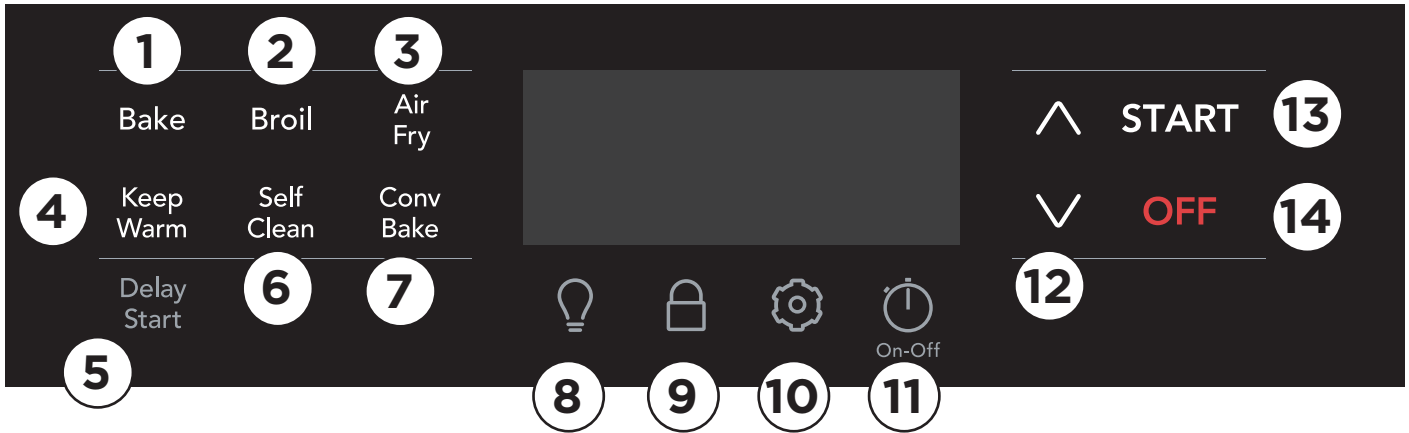
**Flat oven racks** may be used for most cooking needs and may be placed in most oven rack positions.

## Removing, Replacing, and Arranging Flat or Offset Oven Racks

Always arrange the oven racks when the oven is cool.

To **remove** - Pull the oven rack straight forward until it reaches the stop position. Lift up front of oven rack slightly and slide out.

To **replace** - Place the oven rack on the rack guides on both sides of oven walls. Tilt the front of oven rack upward slightly and slide the oven rack back into place. Be sure oven racks are level before using.



1. **Bake** is for delicate foods that need heat to rise and move gently in the oven.
2. **Broil** is for broiling and grilling foods under direct, high heat.
3. **Air Fry** is for preparing packaged and convenience foods with little or no oil.
4. **Keep Warm** Use to keep cooked foods at serving temperature in the oven.
5. **Delay Start** sets the oven to start after a specified period of time.
6. **Self Clean** starts a self-cleaning cycle.
7. **Conv Bake** circulates the oven heat continuously for baking.
8. **Oven Light** turns the interior light on and off at a touch and turns on automatically when oven door is open.
9. **Lockout** deactivates the control panel to prevent accidental key presses and locks the oven door..
10. **Settings** is used to set user preferences for various control functions including:
  - **CLoC:** set time of day.
  - **Hour:** change between 12 or 24 hour mode
  - **Aud:** set the volume of control keys or to operate in silent mode.
  - **F-C:** display temperatures in Fahrenheit or Celcius.
  - **rSEt:** reset all user preferences to original factory settings.
  - **uPo:** .adjust the oven temperature settings.
  - **E-SA:** .change between 12-hour energy savings mode and continuous mode..

11. **Timer On-Off** is used to set or cancel the minute timer.
12. **Up/Down Arrows** used to scroll to temperature and time settings.
13. **START** starts cooking functions and sets the clock.
14. **OFF** turns off all cooking functions.

**Table 2: Oven Modes**

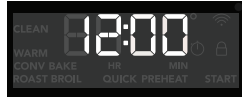
Feature	Mode	Min.Temp/ Time	Max Temp/ Time
Bake		170°F (77°C)	550°F (288°C)
Broil		LO	HI
Conv Bake		170°F (77°C)	550°F (288°C)
Keep Warm		140°F (60°C)	1 hour
Clock	12 Hr.	1:00 Hr./Min.	12:59 Hr./Min.
	24 Hr.	0:00 Min	23:59 Hr./Min.
Timer On-Off		0:01 Min.	11:59 Hr./Min.

**Note:** An entry acceptance tone (1 beep) will sound each time a key is touched (the oven lock key is delayed 3 seconds). An entry error tone (3 short beeps) will sound if the entry of the temperature or time is below the minimum or above the maximum settings for the feature.


# 20 SETTING OVEN CONTROLS

## Setting the Clock

When the appliance is first plugged in or when the power supply to the appliance has been interrupted, the display will flash 12:00 in this case, go to step 4 of the instructions below. It is recommended to always set the clock for the correct time of day before using the appliance.



To set the clock:


1. Press .
2. Press the **Up** or **Down** arrow until “CLoC” appears in the display.
3. Press **START**.
4. Press the **Up** or **Down** arrow until the correct time appears in the display. You can press and hold the **Up** or **Down** arrow to change the time faster.
5. Press **START**.

**NOTE:** The clock cannot be changed when the oven is set for cooking or self clean is active.

## Setting 12 Hour or 24 Hour display mode (Hour)

The clock display mode allows you to select 12 hr or 24 hr modes. The factory pre-set clock display mode is 12 hours.

To set 12 hr or 24 hr display mode:

1. Press .
2. Press the **Up** or **Down** arrow until “Hour” appears in the display.
3. Press **START**.
4. Press **UP or Down arrow** key to toggle between 12 hr and 24 hr setting.




5. Press **START** to accept the desired clock setting.

## Setting a silent control panel (Aud)

When selecting a function, an audible tone is heard each time a key is pressed. If desired, the control can be programmed for silent operation.

To set the controls for silent operation:

1. Press .
2. Press the **Up** or **Down** arrow until “Aud” appears in the display and press **START**.



3. Press the **Up** or **Down** arrow to toggle between “oFF” and “on”.



4. Press **START** to accept when the desired setting is displayed.

The display returns to the settings menu. After a few seconds, it will return to the time of day.

## Temperature display (F-C)

The electronic oven control is set to operate in Fahrenheit (°F) at the factory. You can change it to operate in Celcius (°C). The oven may be programmed for any temperature from 170°F to 550°F (77°C to 288°C).

To change the temperature to Celsius (°C) or from °C to °F:

1. Press .
2. Press the **Up** or **Down** arrow until until F-C appears.



3. Press **START**.
4. Press **Up and Down** arrows to toggle between F and C.



5. Press **START** to accept your choice.

The display returns to the settings menu. After a few seconds, it will return to the time of day.


### Adjust Oven Temperature (UPO)

Your appliance has been factory calibrated and tested to ensure an accurate baking temperature. For the first few uses, follow your recipe times and temperature recommendations carefully. If you think the oven is cooking too hot or too cool for your recipe times, you can adjust the control so the oven cooks hotter or cooler than the temperature displayed.

Important: Do not use oven thermometers such as those found in grocery stores to check the temperature settings inside your oven. These oven thermometers may vary as much as 20 to 40 degrees from actual temperatures.

The oven temperature may be increased as much as +35°F (+19°C) or decreased -35°F (-19°C) from the factory calibrated settings.

#### To increase or decrease the oven temperature by 20°F:

1. Press .
2. Press the **Up** or **Down** arrow until “UPO” appears in the display.
3. Press **START**
4. Press the **Up** or **Down** arrow until the desired amount of temperature adjustment is shown.

The oven temperature may be increased as much as +35°F or decreased -35°F from the factory calibrated settings.

The oven temperature adjustment may be made if your oven control is set to display temperatures in °C (Celsius). Minimum and maximum settings for Celsius range from plus +19°C to minus -19°C.

5. Press **START** to accept change.

#### Important note:


- Oven temperature adjustments will not change the Broil, Self Clean, or Keep Warm temperatures.

### Restore Factory Settings (rSet)

Your appliance was set with predetermined (default) oven control settings. Over time, users may have made changes to these settings. The following options may have been modified since the appliance was new.

- 12 or 24 hr display mode
- Continuous bake or 12-hour energy savings mode
- Silent or audible controls
- Oven temperature display (Fahrenheit or Celsius)
- Oven temperature adjustments (UPO)


#### To restore oven control to factory default settings:

1. Press .
2. Press the **Up** or **Down** arrow until “rSet” appears in the display.
3. Press and hold **START** for three seconds. The control has been reset with the default settings.

### Continuous bake setting or 12-hour energy saving feature (E-SA)

The oven control has a built-in 12-hour energy saving feature that will shut off the oven if the oven is left on for more than 12 hours. The oven control can be programmed to override this feature for continuous baking.

#### To change the continuous bake setting:

1. Press .
2. Press the **Up** or **Down** arrow until “E-SA” appears in the display.
3. Press **START**.
4. Press the **Up** or **Down** arrow to toggle between “12Hr” and “Cont”.
5. Press **START** to accept when the desired setting is displayed.

# 22 SETTING OVEN CONTROLS

## Setting the minute timer

The timer can be set for any amount of time from 1 minute to 11 hours and 59 minutes.



The minute timer can be used alone or while using any of the other oven features. If another feature is active when the minute timer is active, the minute timer will show in the display. To view information about other active features, press the key for that feature.

### Example: Setting timer for 15 minutes.

1. Press **Timer on-off** key:



On-Off

2. Press **Up or Down** arrows until the desired time appears in the display. You can press and hold the **Up or Down** arrow to change the time faster.



3. Press **Timer on-off**. The timer will begin to countdown. When the set time ends, the display will show **End**.



To turn the timer off at any time, press the **Timer on-off** key.



On-Off

**NOTE:** The timer will beep three times and will continue to beep three times every minute until **Timer on-off** is pressed. The minute timer will not start or stop the cooking process.

## Operating oven light



The interior oven light will automatically turn on when the oven door is opened.

Press the oven light key on the control panel to turn the interior oven light on and off whenever the oven door is closed.

**NOTE:** For best baking results, do not leave oven light on while baking.

The interior oven light is located at the upper left rear wall of the oven interior. To change the interior oven light, see "Replacing the oven light" in the Care & Cleaning section.

## Oven Lock



The control can be programmed to lockout the oven control keys and lock the oven door.

The oven control lockout mode is not allowed during an active cooking function.

### To activate the lockout feature:

1. Press and hold the **lock key** for 3 seconds.
2. The door lock mechanism will lock the door in about 15 seconds. Do not attempt to open door while the mechanism is active.

### To cancel the lockout feature:

1. Press and hold the **lock key** for 3 seconds.
2. The door lock mechanism will unlock the door in about 15 seconds. Do not attempt to open door while the mechanism is active.
3. When the lock icon no longer displays, the oven control keypad will be available for use.

**NOTE:** If a control key is pressed when Oven Lock is active, the control will triple beep indicating the key action is not available when the Oven Lock feature is active.

## Setting Bake

Bake cooks with heat that rises from the oven bottom. The heat and air circulate naturally in the oven. A reminder tone will sound indicating when the set bake temperature is reached and to place the food in the oven. The convection fan will turn on in preheat and then cycle on and off as needed during baking.

Bake may be set for any oven temperature between 170°F (77°C) to 550°F (288°C)



### CAUTION

Always use pot holders or oven mitts when using the oven. When cooking the oven interior, oven racks, and cooktop will become very hot which can cause burns.

### Baking tips

- Fully preheat the oven before baking items like cookies, cakes, biscuits and breads.
- Use the convection bake function for best results when baking cookies on multiple racks.
- Bake is the best function to use for baking cakes.
- For best results when baking layer cakes using two oven racks, place racks in positions 2 and 5 and place pans as shown.
- When using any single rack for baking cookies, cakes, biscuits, or muffins use rack position 3.
- Allow at least 2 inches (5 cm) of space between bakeware for proper air circulation.
- Dark or dull bakeware absorbs more heat than shiny bakeware, resulting in dark or over-browned foods. It may be necessary to reduce oven temperature or cook time to prevent over-browning of some foods.
- Dark pans are recommended for pies; shiny pans are recommended for cakes, cookies, and muffins.
- Do not open oven door often. Opening the door will reduce the temperature in the oven and may increase cook time.
- Do not leave oven light on while baking.

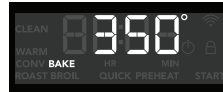


### IMPORTANT

The oven will bake no longer than 12 hours. If you wish to bake for a longer period, see “Changing between continuous bake setting or 12 hour energy saving” on page 21 for detailed information.

#### To set Bake for (default) oven temperature of 350°F:

1. Press **Bake**. 350° will appear in the display.



2. Press **START**.

To cancel Bake at any time, press **OFF**.

#### To change the oven temperature to 425°F when the oven is baking:

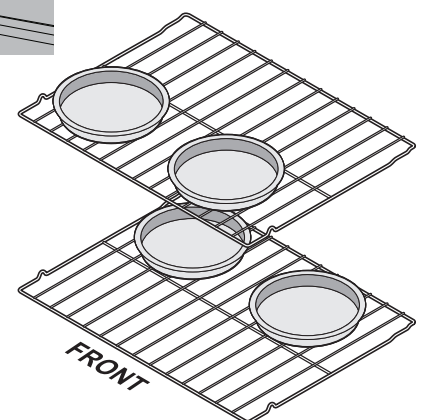
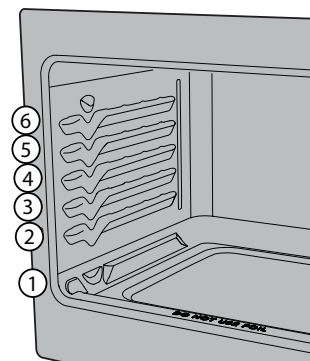
1. Press **Up arrow** to scroll to new temperature of **4 2 5** and release arrow key.



2. Press **START**.

**NOTE:** If **START** is not pressed the temperature will revert to the previous setting.

To cancel Bake at any time, press **OFF**.



# 24 SETTING OVEN CONTROLS

## Convection Bake

Convection Bake uses a fan to circulate the oven's heat uniformly around the oven. This improved heat distribution allows for even cooking and browning results. Heated air flows around the food from all sides. The convection fan will turn on in preheat and remain on during baking.

Convection bake may be set for any oven temperature between 170°F (77°C) and 550°F (288°C).

### Benefits of convection cooking include:

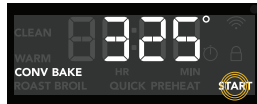
- Multiple rack baking.
- Foods may cook faster, saving time and energy.

### Baking tips

- Fully preheat the oven before baking items like cookies, cakes, biscuits and breads.
- When baking cakes using two oven racks place bakeware in positions 3 and 5 and place bakeware as shown.
- When using any single rack for baking cookies, cakes, biscuits or muffins, use rack position 3.
- Dark or dull bakeware absorbs more heat than shiny bakeware, resulting in dark or over-browned foods. It may be necessary to reduce oven temperature or cook time to prevent over-browning of some foods.
- Dark pans are recommended for pies; shiny pans are recommended for cakes, cookies, and muffins.
- Do not open oven door often. Opening the door will reduce the temperature in the oven and may increase cook time.
- Do not leave oven light on while baking.

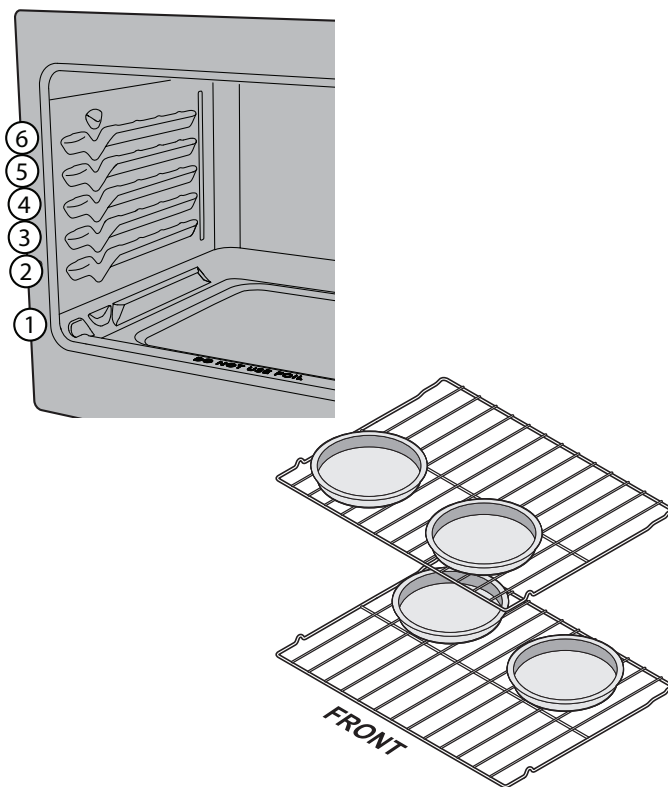
### To set convection bake with a default oven set temperature of 325°F:

1. Press **Conv Bake**.
2. Conv Bake and 325° will appear in the display.



3. Press **START**. The convection fan will turn on in a few minutes and stay on during the cooking process.

To cancel convection bake at any time, press **OFF**.



## CAUTION

Always use pot holders or oven mitts when using the oven. When cooking the oven interior, oven racks, and cooktop will become very hot which can cause burns.



## Setting Broil

Use the broil function to cook foods that require direct exposure to radiant heat for optimum browning results. Broiling may produce smoke.

If smoke is excessive, place food further away from the flames.

Broil has HI and LO settings.

### WARNING

Should an oven fire occur, leave the oven door closed and turn off the oven. If the fire continues, use a fire extinguisher. Do not put water or flour on the fire. Flour may be explosive and water can cause a grease fire to spread and cause personal injury.

### CAUTION

Always use pot holders or oven mitts when using the oven. When cooking, the oven interior, oven racks, and cooktop will become very hot which can cause burns.

### IMPORTANT

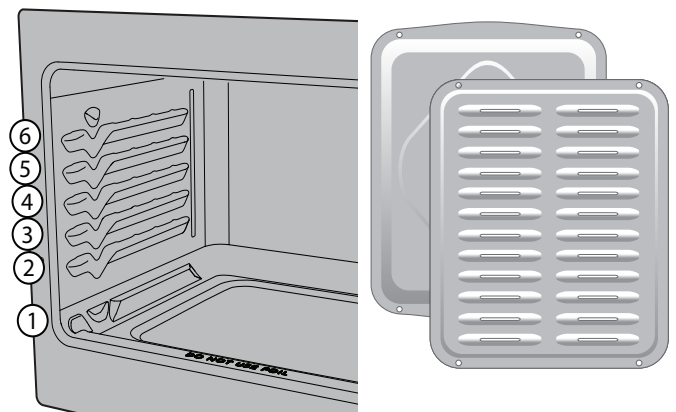
Broiler pans and inserts allow the grease to drain away from the high heat of the broiler. Do not use the pan without the insert. Do not cover the insert with foil - the exposed grease could ignite.

**OPEN DOOR BROIL SHUTOFF:** If the oven door is left open during Broil for more than 3 minutes, an alarm will sound to notify the user to close the oven door. If the door is not closed, the oven will turn off within 30 seconds of the open door alarm.

### To set broil:

1. Arrange the oven racks when cool.
2. Position bakeware in oven.
3. Press **Broil**. "HI" will show in the display.
4. Press **Up or Down** arrows to select **HI** or **Lo**.
5. Press **START**.
6. For optimum browning results, preheat oven for 5 minutes before adding food. Broil with oven door **closed**.
7. Broil on one side until food is browned; turn and broil other side until done to your satisfaction.
8. When finished broiling, press **OFF**.

To cancel broil at any time, press OFF.



### NOTE

If a broiler pan and insert are not supplied with this appliance they may be purchased from [www.frigidaire.com](http://www.frigidaire.com)

# 26 SETTING OVEN CONTROLS

## Important notes:

- Always arrange oven racks when the oven is cool.
- Broil with oven door closed. If broiling with door open, an alarm will sound alerting you to close the door. If left open, the broil element will turn off.
- For best results when broiling, use a broil pan with broil pan insert designed to drain the fat from the food and help avoid spatter and reduce smoking.
- When broiling, always pull the oven rack out to the stop position before turning or removing food.
- If a broiler pan and insert are not supplied with this appliance they may be purchased from [www.frigidaire.com](http://www.frigidaire.com).

**Table 3: Broil recommendations**

Food	Rack Position	Temperature	Cook time minutes		Internal Temperature	Doneness
			1st side	2nd side		
Steak 1" thick	6	HI	5	4	140°F (60°C)	Rare*
Steak 1" thick	5 or 6	HI	6	5	145°F (63°C)	Medium
Steak 1" thick	5 or 6	HI	7	6	170°F (77°C)	Well
Pork Chops 3/4" thick	5	LO	12	10	145°F (63°C)	Well
Chicken bone-in	4	LO	20	10	165°F (74°C)	Well
Chicken boneless	5	LO	8	6	165°F (74°C)	Well
Fish	5	HI	as directed		145°F (63°C)	Well
Shrimp	4	HI			145°F (63°C)	Well
Hamburger 1" thick	4	HI	6	5	145°F (63°C)	Medium
Hamburger 1" thick	4	HI	7	6	160 °F (71°C)	Well

\* The U.S. Department of Agriculture states, "Rare fresh beef is popular, but you should know that cooking it to only 140°F (60°C) means some food poisoning organisms may survive." (Source: Safe Food Book, Your Kitchen Guide) The lowest temperature recommended by the USDA is 145°F (63°C) for medium rare fresh beef. For well done 170°F (77°C). Allow cooked meat to rest for at least 3 minutes before serving.

NOTE: Broiling is direct heat cooking and will produce some smoke. If smoke is excessive, place food further away from element. Always watch foods carefully to prevent burning.

## Air Fry

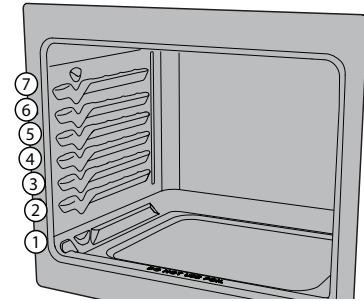
The Air Fry feature works best for single rack baking with packaged and convenience foods. It works well with most recipes and can be programmed for temperatures between 170°F and 550°F. Follow the recipe or package directions for food preparation quantity, time, and temperature.

### Important:

- Food should be arranged in single layers on the air fry tray and placed on rack position 3 for best results.
- When using the Air Fry tray, place a large cookie sheet on rack position 1 to catch any crumbs or drippings.
- Leave oven light off when baking.
- Food may need to be removed early and should be checked at minimum recommended bake time. However, frozen dense foods and items with cook times less than 15 minutes may require additional time.

### To set the Air Fry function:

1. Arrange food on rack as suggested.
2. Press **Air Fry**.
3. Use the up and down arrows to select temperature for particular food.
4. Press **START**. When preheat tone sounds place the tray on rack position 3 and to prevent smoke, place a baking sheet on rack position 1 below the Air Fry Tray.
5. Press **ON/OFF** to return display to show the time of day.



Frigidaire offers an optional Air Fry Tray specifically designed to deliver superior performance.

### Some Benefits of the Optional Air Fry Tray:

- Tray optimized for oven space.
- Fits in the dishwasher for easy clean up.
- Higher yield than countertop models.
- Frees up countertop space.
- Compatible with convection ovens.
- The optional Air Fry tray may be purchased from [www.frigidaire.com](http://www.frigidaire.com).

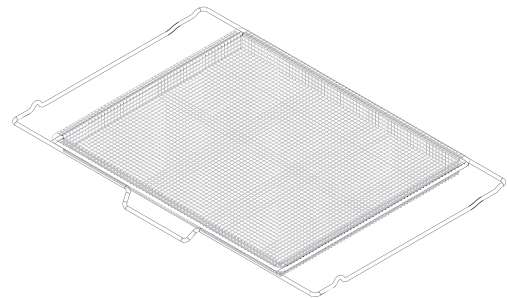


Figure 10: Air Fry Tray

Table 4: Air Fry Table

Food Type	Quantity (oz.)	Temperature	Cook Time (mins)
Frozen Tater Tots	48	450°F - 232°C	29-33
Frozen Golden Fries	48	425°F - 218°C	25-35
Frozen Chicken Nuggets	48	400°F - 205°C	13-15
Frozen Crispy Chicken Strips	48	400°F - 205°C	20-22
Frozen Hot Wings Bone-In	48	450°F - 232°C	25-28
Frozen Chicken Wings	48	375°F - 190°C	60-65
Fresh Chicken Wings	48	450°F - 232°C	30-40

# 28 SETTING OVEN CONTROLS

## Self Clean

Self Clean cleans with very high temperatures (well above normal cooking temperatures), eliminating soils completely or reducing them to very fine powdered ashes you can wipe away afterwards with a damp cloth.

The clean cycle lasts for 3 hours.

Before starting self clean read all following caution and important statements before starting a self clean cycle

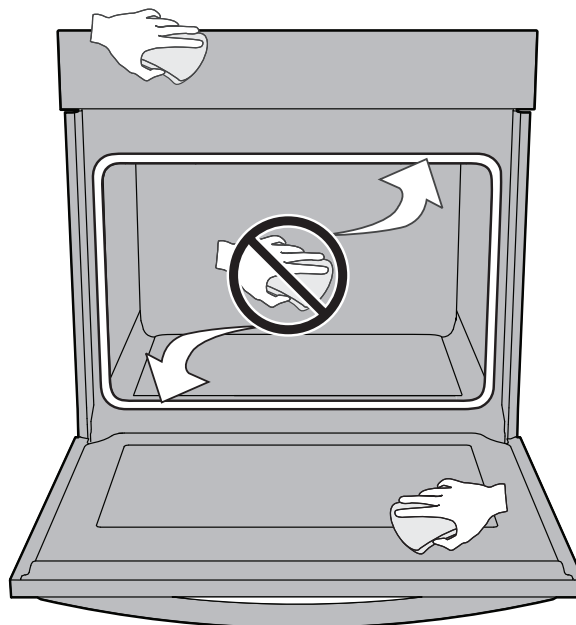
### CAUTION

- Do not leave small children unattended near appliance. During self clean cycle, the outside of the oven can become very hot and cause burns if touched.
- Do not line the oven walls, racks, oven bottom, or any part of the range with aluminum foil. This will cause permanent damage to the oven interior and destroy heat distribution, and will melt to the oven interior.
- Do not force the oven door open. This will damage the automatic door locking system. Use caution when opening the oven door after the self clean cycle ends. The oven may still be very hot and cause burns. To avoid possible burns, stand to side of oven when opening door to allow steam or hot air to escape.
- The health of some birds is extremely sensitive to fumes given off during the self clean cycle of any range. Move birds to a well ventilated room.

### Important notes:

- Completely remove all oven racks and any accessories from oven cavity to avoid damage to oven racks. If the oven racks are not removed they may discolor.
- Remove all items from the oven and cooktop including cookware, utensils, and any aluminum foil. Aluminum foil will not withstand high temperatures from a self clean cycle and will melt.

- Do not spray oven cleaners or oven protective coatings in or around any part of the oven interior. Clean any soil from the oven frame, the door liner outside the oven door gasket, and the small area at the front center of the oven bottom. These areas heat sufficiently to burn soil on. Clean using soap and water prior to starting Self Clean.
- Remove any excessive spills. Any spills on the oven bottom should be wiped up and removed before starting a self clean cycle. To clean use hot, soapy water and a cloth. Large spills can cause heavy smoke or fire when subjected to high temperatures.
- Do not allow food spills with high sugar or acid content (such as milk, tomatoes, sauerkraut, fruit juices, or pie fillings) to remain on the surface as they may leave a dull spot even after cleaning.
- Do not clean the oven door gasket. The woven material in the gasket is essential for a good seal. Care should be taken not to rub, damage, or remove the oven door gasket. Doing so could cause damage to the door gasket and compromise the performance of the oven.



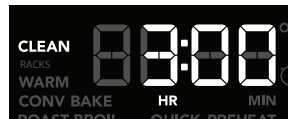
- The kitchen area should be well ventilated using an open window, ventilation fan, or exhaust hood during the first self clean cycle. This will help eliminate the normal odors.
- Do not attempt to open the oven door when the OVEN LOCK indicator light is flashing. Allow about 15 seconds for the motorized door latch mechanism to completely lock or unlock the oven door.
- When the clean time finishes, the oven door will remain locked until the range has cooled sufficiently. In addition to the clean time that was programmed, you must allow about 1 additional hour for the oven to cool before you will be able to open the oven door.

## Setting Self Clean

### To set self clean:

Be sure the oven is empty and all oven racks are removed. Remove all items from the oven. Be sure oven door is completely closed.

1. Press **Self Clean**. The warning to remove **RACKS** will flash in the display to remind you that oven racks should be removed before a self clean. The default 3 hour clean time will appear in the display.



2. Press **START** to activate self clean.
3. The **RACKS** warning will end and Self Clean will start. The motor door lock will begin locking the oven door. Do not open the oven door while the lock motor is running or when any locking indicators or displays are showing. The oven door is completely locked in about 15 seconds.
  - Once the oven door has locked, **CLEAN** will appear in the display indicating self clean has started.
  - Do not force the oven door open when self-clean is active. This can damage the automatic door-locking system.
  - Use caution when opening the door after self-clean cycle is complete; the oven may still be very hot.
4. When self clean is finished: **CLEAN** message will turn off, and **Hot** will appear in display window.



5. Once the oven has cooled down (about 1 hour) and **Hot** is no longer displayed, the oven door may be opened.

**CAUTION:** To avoid possible burns, use care when opening the oven door after the self-cleaning cycle. Stand to the side of the oven when opening the door to allow hot steam and air to escape.

When the oven interior has completely cooled, wipe away any residue or powdered ash with a damp cloth or paper towel.

# 30 SETTING OVEN CONTROLS

---

## Delay Start

Delay Start allows a delayed starting time for the Bake, Convection Bake, and Self-Clean functions. Prior to setting a delay start, be sure the time of day is set correctly. The maximum delay for a Delay Start is one hour.

### To set Delay Start:

1. Choose the Bake and set the temperature.
2. Press **Delay Start**. The display will show a time of 0:00 (0 hours and 00 minutes).
3. Press **Up or Down** arrows until the desired time delay shows in the display. You can press and hold the **Up** or **Down** arrow to change the time faster.
4. Press **START**. The timer will start counting down.
5. When the time runs out, the chosen cooking function will start. If a Cook Time was set, the remaining cook time will show in the display.

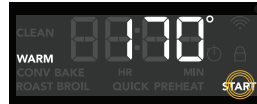
To stop the Delay Start timer at any time, press **OFF**.

## Keep Warm

Keep Warm should only be used with foods that are fully cooked and at serving temperatures. Keep Warm will keep foods warm and ready for serving at 140° F (60°C). If needed, arrange oven racks and place cooked food in oven.

### To set Keep Warm:

1. Press **Keep Warm**: (If no other keys are touched within 25 seconds the request for Warm will clear.)



2. Press **START**. Keep Warm will automatically turn on and remain on for 1 hour or until cancelled.

To turn off Keep Warm at any time, press **OFF**.

Remove spills and any heavy soiling as soon as possible. Regular cleaning will reduce the difficulty of major cleaning later.

## CAUTION

Before cleaning any part of the appliance, be sure all controls are turned off and the appliance is cool.

If ammonia or appliance cleaners are used, they must be removed and the appliance must be thoroughly rinsed before operating. Follow manufacturer's instructions and provide adequate ventilation.

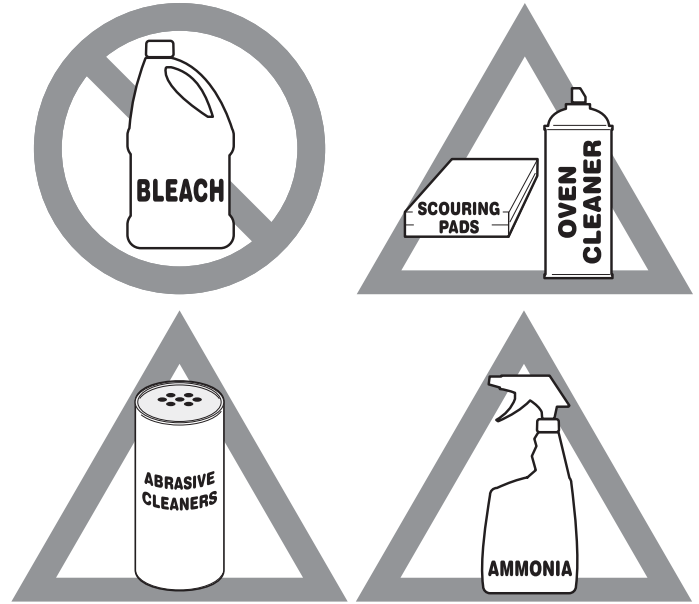


Figure 11: Use cleaners with caution

Surface or Area	Cleaning Recommendation
Aluminum and vinyl	Using a soft cloth, clean with mild dish detergent and water. Rinse with clean water, dry and polish with a soft, clean cloth.
Painted and plastic control knobs Painted body parts Painted decorative trims	Using a soft cloth, clean with mild dish detergent and water or a 50/50 solution of vinegar and water. Rinse with clean water, dry and polish with a soft, clean cloth. Glass cleaners may be used, but do not apply directly to surface; spray onto cloth and wipe.
Control panel	Using a soft cloth, clean with mild dish detergent and water or a 50/50 solution of vinegar and water. Do not spray liquids directly on the oven control and display area. Do not use large amounts of water on the control panel - excess water on the control area may cause damage to the appliance. Do not use other liquid cleaners, abrasive cleaners, scouring pads, or paper towels - they will damage the finish.
Control knobs	Using a soft cloth, clean with mild dish detergent and water or a 50/50 solution of vinegar and water. To remove control knobs: turn to the OFF position, grasp firmly, and pull off the shaft. To replace knobs after cleaning, line up the OFF markings and push the knobs into place.
Stainless Steel	Using a soft cloth, clean with mild dish detergent and water or a 50/50 solution of vinegar and water. Rinse with clean water, dry with a soft clean cloth. Do not use cleaners containing abrasives, chlorides, chlorine, or ammonia.
Smudge Proof™ Stainless Steel Black Stainless Steel	Using a soft cloth, clean with mild dish detergent and water or a 50/50 solution of vinegar and water. Rinse with clean water, dry with a soft clean cloth. Do not use appliance cleaner, stainless steel cleaner, or cleaner containing abrasives, chlorides, chlorine, or ammonia. These cleaners may damage the finish.

# 32 CARE AND CLEANING

Surface or Area	Cleaning Recommendation
<p>Porcelain-enameled broiler pan and insert</p> <p>Porcelain door liner</p> <p>Porcelain body parts</p>	<p>Rinse with clean water and a damp cloth. Scrub gently with a soapy, non-abrasive scouring pad to remove most spots. Rinse with a 50/50 solution of clean water and ammonia. If necessary, cover difficult spots with an ammonia-soaked paper towel for 30 to 40 minutes. Rinse and wipe dry with a clean cloth. Remove all cleaners or future heating could damage the porcelain. Do not allow food spills with a high sugar or acid content (milk, tomatoes, sauerkraut, fruit juices or pie filling) to remain on porcelain surfaces. These spills may cause a dull spot even after cleaning.</p>
Manual clean oven interior	<p>The oven interior is porcelain coated and safe to clean using oven cleaners. Always follow manufacturer's instructions for cleaners. After cleaning, remove any oven cleaner or the porcelain may become damaged during future heating. Do not spray oven cleaner on any electrical controls or switches. Do not spray or allow oven cleaner to build up on the oven temperature sensing probe. Do not spray cleaner on oven door trim, door gasket, plastic drawer glides, handles or any exterior surfaces of the appliance.</p>
Self-cleaning oven interior	<p>Before setting a self-clean cycle, clean soils from the oven frame, areas outside the oven door gasket, and the small area at the front center of the oven bottom. See "Setting Bake" on page 23.</p>
Oven door	<p>Use mild dish detergent and water or a 50/50 solution of vinegar and water to clean the top, sides, and front of the oven door. Rinse well. Glass cleaner may be used on the outside glass of the door. Ceramic smoothtop cleaner or polish may be used on the interior door glass. Do not immerse the door in water. Do not spray or allow water or cleaners to enter the door vents. Do not use oven cleaners, cleaning powders, or any harsh abrasive cleaning materials on the outside of the oven door.</p> <p>Do not clean the oven door gasket. The oven door gasket is made of a woven material which is essential for a good seal. Do not rub, damage, or remove this gasket.</p>
Gas cooktop surface burners	See "Cleaning the surface burners" on page 33.
Gas cooktop surface grates Gas cooktop burner caps	<p>Use a non-abrasive plastic scrubbing pad and mild abrasive cleanser. Do not allow food spills with a high sugar or acid content (milk, tomatoes, sauerkraut, fruit juices or pie filling) to remain on the burner grates or burner caps. These spills may cause a dull spot even after cleaning. Clean these spills as soon as surfaces are cool. Thoroughly dry immediately following cleaning.</p>



### Cleaning the surface burners

To avoid possible burns, do not attempt cleaning before turning off all surface burners and allowing them to cool.

Any additions, changes, or conversions required in order for this appliance to satisfactorily meet the application needs must be made by an authorized qualified Agency. Routinely clean the cooktop. Wipe with a clean, damp cloth and wipe dry to avoid scratches. Keeping the surface burner head ports and slots clean will prevent improper ignition and an uneven flame.

To clean recessed and contoured areas of cooktop:

- If a spill occurs on or in the recessed or contoured areas, blot up spill with an absorbent cloth.
- Rinse with a clean, damp cloth and wipe dry.



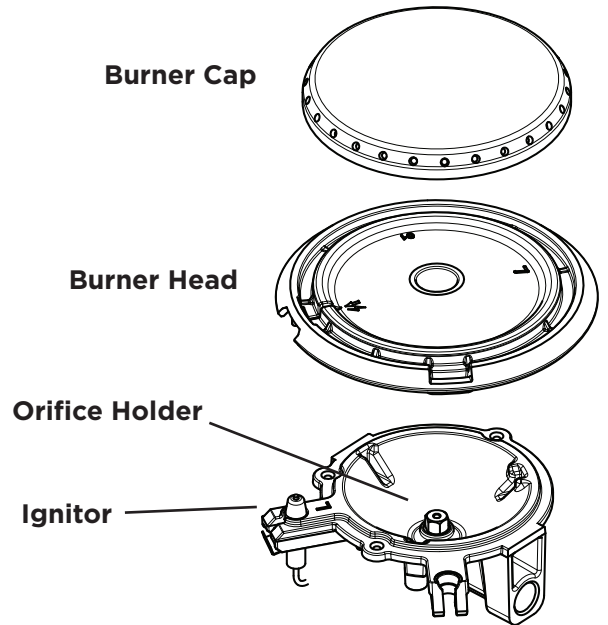
### CAUTION

To avoid possible burns do not attempt to operate the surface burners without the burner caps.

Do not use spray oven cleaner on the cooktop.

#### To clean burner heads:

1. Remove the burner cap and the burner head (see Figure 12). Clean with hot soapy water and dry thoroughly
2. For burned-on and dried spills, apply hot soapy water to the burner head. Allow time for the soils to soften.
3. Use a toothbrush to clean all over the burner head.
4. Use a needle or fine wire to clean out the ignition port.
5. Wipe the burner head clean with a soft, clean cloth, sponge, or scratch-free cleaning pad.
6. Before using the cooktop again, make sure the burner head has fully seated back into place and the burner cap is properly seated on the burner heads. You can wiggle the cap to test placement, neither the cap nor the head should slide out of position (see “Assembly of the Burner Caps” on page 13).



**Figure 12: Burner cap, burner head, ignitor, and orifice**

#### Important notes:

- The surface burner heads are secured to the cooktop and must be cleaned in place on the cooktop.
- Always keep the surface burner caps in place whenever a surface burner is in use.
- When replacing the burner caps, be sure the burner caps are seated firmly on top of the burner heads.
- For proper flow of gas and ignition of burners do not allow spills, food, cleaning agents, or any other material to enter the gas orifice port opening.

# 34 CARE AND CLEANING

---

## General Cleaning

Refer to the table at the beginning of this chapter for more information about cleaning specific parts of the oven.

### Follow these cleaning precautions:

- Allow the oven to cool before cleaning.
- Wear rubber gloves when cleaning the appliance manually.

Remove soils using hot, soapy water. Do not allow food spills with a high sugar or acid content (such as milk, tomatoes, sauerkraut, fruit juices or pie filling) to remain on the surface as they may cause a dull spot even after cleaning. Remove spillovers and heavy soiling as soon as possible. Regular cleaning will reduce the effort required for major cleaning later.



## CAUTION

Before manually cleaning any part of the oven, be sure all controls are turned off and the oven is cool. The oven may be hot and can cause burns.

Remove all racks and accessories from the oven before cleaning.

Ammonia must be rinsed before operating the oven. Provide adequate ventilation.

## Cleaning Porcelain Enamel Oven

The oven interior is porcelain on steel, it is safe to clean using oven cleaners.

### To remove heavy soil:

1. Allow a dish of ammonia to sit in the oven overnight or for several hours with the oven door closed. Clean softened dirt spots using hot, soapy water. Rinse well with water and a clean cloth.
2. If soil remains, use a nonabrasive scouring pad or a nonabrasive cleaner. If necessary, use an oven cleaner following manufacturer's instructions. Do not mix ammonia with other cleaners.
3. Clean any soil from the oven frame, the door liner outside the oven door gasket and the small area at the front center of the oven bottom. Clean with hot, soapy water. Rinse well using clean water and a cloth.

## Aluminum Foil, Aluminum Utensils, and Oven Liners

### **! WARNING**

Never cover any slots, holes, or passages in the oven bottom or cover an entire oven rack with materials such as aluminum foil. Doing so blocks air flow through the oven and may cause carbon monoxide poisoning. Aluminum foil linings may trap heat, causing a fire hazard.

- Protective liners—Do not use aluminum foil to line the oven bottom. The high heat of the oven can melt these materials to the oven cavity and ruin the oven. These types of materials can also reduce the effectiveness of the air circulation in the oven and produce poor baking results. Only use aluminum foil as recommended in this manual. Improper installation of these liners may result in risk of electric shock or fire.
- Aluminum utensils - The melting point of aluminum is much lower than that of other metals. Care must be taken when aluminum pots or pans are used.
- Oven racks - Do not use aluminum foil to cover the oven racks. Using a liner in the oven restricts the heat and air flow needed to obtain the best possible cooking results for any oven.

## Replacing the Oven Light

### **! CAUTION**

Be sure the oven is unplugged and all parts are cool before replacing the oven light.

The interior oven light is located at the rear of the oven cavity and is covered by a glass shield. The glass shield must be in place whenever the oven is in use.

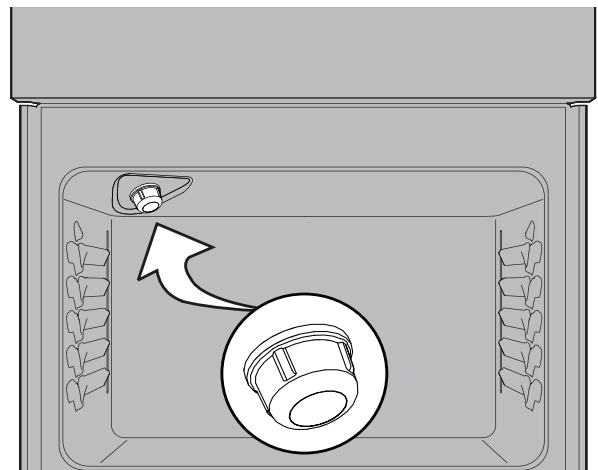
#### **To replace the oven interior light bulb:**

1. Turn electrical power off at the main source or unplug the appliance.
2. Remove interior oven light shield by turning a quarter turn counter-clockwise.
3. Replace bulb with a new T-4 type Halogen 25 watt appliance bulb.

### **! NOTE**

Wear a cotton glove or use a paper towel when installing a new bulb. Do not touch the new bulb with your fingers when replacing. This will shorten the life of the bulb.

4. Replace glass oven light shield by rotating clockwise.
5. Turn power back on again at the main source (or plug the appliance back in).
6. Be sure to reset the time of day on the clock.



**Figure 13: Oven Halogen light**

# 36 CARE AND CLEANING

## Removing and Replacing the Oven Door

### CAUTION

The door is heavy. For safe, temporary storage, lay the door flat with the inside of the door facing down.

### IMPORTANT

Special door care instructions - For safe, temporary storage, lay the door flat with the inside of the door facing down.

Most oven doors contain glass that can break. Do not hit the glass with pots, pans, or any other object. Scratching, hitting, jarring, or stressing the glass may weaken its structure, causing an increased risk of breakage at a later time. Do not close the oven door until all of the oven racks are fully in place.

#### To remove the oven door:

1. Open oven door completely, horizontal with floor (Figure 14).
2. Pull up the lock located on each hinge support toward front of the oven until the lock stops. You may have to apply a little upward pressure on the lock to pull it up (Figure 15).
3. Grasp the door by the sides, and close the door until the door frame makes contact with the unlocked hinges (Figure 16).
4. Pull the bottom of the door toward you while rotating the top of the door toward the appliance to completely disengage the hinge levers (Figure 17).

#### To replace the oven door:

1. Firmly grasp both sides of oven door along the door sides. Do not use the oven door handle (Figure 17).
2. Hold the oven door at the same angle as the removal position (Figure 16). Carefully insert the hinge levers into the oven frame until you feel the hinge levers are seated into the hinge notches. The hinge arms must be fully seated into the hinge notches before the oven door can be fully opened.
3. Fully open the oven door, horizontal with floor (Figure 14).
4. Push the door hinge locks up toward and into the oven frame on both left and right oven door hinges to the locked position (Figure 15).
5. Close the oven door.

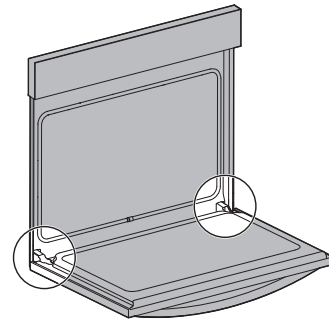


Figure 14: Door hinge location

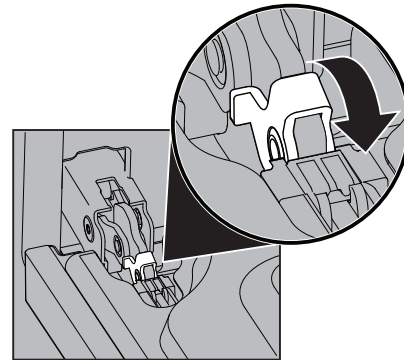


Figure 15: Door hinge lock

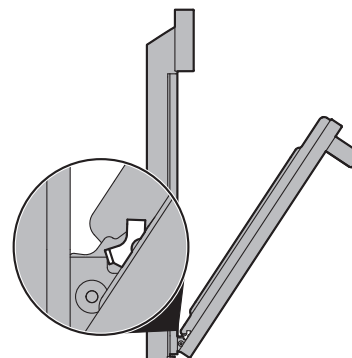


Figure 16: Removal position

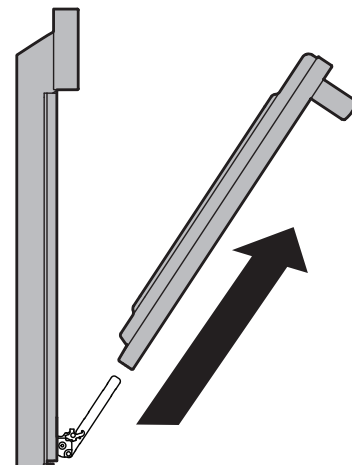







Figure 17: Remove door

## Oven Baking

For best cooking results, preheat the oven before baking cookies, breads, cakes, pies, pastries, etc. There is no need to preheat the oven for roasting meat or baking casseroles. The cooking times and temperatures needed to bake a product may vary slightly from your previously owned appliance.

Baking Problems and Solutions		
Baking Problems	Causes	Corrections
<p>Cookies and biscuits burn on the bottom.</p> 	<p>Cookies and biscuits put into oven before oven is preheated.</p>	<p>Allow oven to preheat to desired temperature before placing food in oven.</p> <p>Choose pan sizes that will permit at least 2" of air space</p>
<p>Cakes too dark on top or bottom</p> 	<p>Cakes put in oven before oven is preheated.</p> <p>Rack position too high or too low.</p> <p>Oven too hot.</p>	<p>Allow oven to preheat to the selected temperature before placing food in the oven.</p> <p>Use proper rack position for baking needs.</p> <p>Set oven temperature 25°F (13°C) lower than recommended.</p>
<p>Cakes not done in center</p> 	<p>Oven too hot.</p> <p>Incorrect pan size.</p> <p>Pan not centered in oven.</p> <p>Glass cookware slow heat conductor.</p>	<p>Set oven temperature 25°F (13°C) lower than recommended.</p> <p>Use pan size suggested in recipe.</p> <p>Use proper rack position and place pan so there are at least 2" (5.1 cm) of space on all sides of pan.</p> <p>Reduce temperature and increase cook time or use shiny bakeware.</p>
<p>Cakes not level.</p> 	<p>Oven not level.</p> <p>Pan too close to oven wall or rack overcrowded.</p> <p>Pan warped.</p> <p>Oven light left on while baking.</p>	<p>Place a marked glass measuring cup filled with water on the center of the oven rack. If the water level is uneven, refer to the installation instructions for leveling the oven.</p> <p>Use proper rack position and place pan so there are at least 2" (5.1 cm) of space on all sides of pan.</p> <p>Do not use pans that are dented or warped.</p> <p>Do not leave the oven light on while baking.</p>
<p>Foods not done when cooking time is over.</p> 	<p>Oven too cool.</p> <p>Oven overcrowded.</p> <p>Oven door opened too frequently.</p>	<p>Set oven temperature 25°F (13°C) higher than suggested and bake for the recommended time.</p> <p>Be sure to remove all pans from the oven except the ones to be used for baking.</p> <p>Open oven door only after the shortest recommended baking time.</p>

# 38 BEFORE YOU CALL

Let us help you troubleshoot your concern! This section will help you with common issues. If you need us, visit our website, chat with an agent, or call us. We may be able to help you avoid a service visit. If you do need service, we can get that started for you!

**1-800-374-4432 (United States)**  
**Frigidaire.com**

**1-800-265-8352 (Canada)**  
**Frigidaire.ca**

<b>Problem</b>	<b>Cause / Solution</b>
Entire appliance does not operate	Appliance not connected. Make sure power cord is plugged properly into outlet. Check your fuse box or breaker box to make sure the circuit is active.  Electrical power outage. Check house lights to be sure. Call your local electric company for service outage information.

<b>Oven Problems</b>	
<b>Problem</b>	<b>Cause / Solution</b>
Poor baking results.	Many factors affect baking results. Use proper oven rack position. Center food in the oven and space pans to allow air to circulate. Preheat the oven to the set temperature before placing food in the oven. Try adjusting the recipe's recommended temperature or baking time. See "Convection Bake" on page 22 if you feel the oven is too hot or too cool.
Flames inside oven or smoking from oven vent.	Excessive spills in oven. Grease or food spilled onto the oven bottom or oven cavity. Wipe up excessive spills before starting the oven. If flames or excessive smoke are present when using broil, see "Setting Oven Controls" on page 19.
Oven smokes excessively when broiling.	Incorrect setting. Follow the "Setting Oven Controls" on page 19.  Meat too close to the broil element or burner. Reposition the broil pan to provide proper clearance between the meat and broil element or burner. Remove excess fat from meat. Cut remaining fatty edges to prevent curling, but do not cut into lean.  Grease build up on oven surfaces. Regular cleaning is necessary when broiling frequently. Grease or food splatters will cause excessive smoking.
Oven control panel beeps and displays any F or E code error.	Oven control has detected a fault or error condition. To clear the error, press the OFF key on the control panel. Once the error code is cleared, try the bake or broil function. If the F or E code error repeats, turn off the power to appliance, wait 5 minutes, and then repower the appliance. Set the clock with correct time of day. Try the bake or broil function again. If the fault recurs, press the OFF key to clear.
Oven portion of appliance does not operate.	Be sure the regulator gas valve is turned to ON. See installation instructions.  The time of day is not set. The clock must be set in order to operate the oven. See "Convection Bake" on page 24.  Be sure the oven controls are set properly for the desired function. See "Setting Oven Controls" on page 19 and review instructions for the desired cooking function in this manual or see "Entire appliance does not operate." in this checklist.
Convection fan does not rotate.	Oven door is open. The convection fan will turn off if the oven door is opened when convection is active. Close the oven door.  On gas models, the convection fan will begin to rotate about 6 minutes into the preheating process.

<b>Cooktop Problems</b>	
<b>Problem</b>	<b>Cause / Solution</b>
Surface burners do not ignite.	<p>Surface control knob was not completely turned to LITE (○). Push in and turn the surface control knob to LITE until the burner ignites and then turn the control knob to the desired flame size.</p> <p>Burner ports are clogged. With the burner OFF and cool, use a small-gauge wire or needle to clean the burner head slots and ignition ports. See “Cleaning the surface burners” on page 33 for additional cleaning instructions.</p> <p>Range power cord is disconnected from outlet (electric ignition models only). Be sure the power cord is securely plugged into the power outlet.</p> <p>Circuit is broken. Check breaker box or fuse box.</p> <p>Electrical power outage. Burners may be lit manually. See “Setting Surface Controls” on page 16.</p>
Surface burner flame uneven or only part way around burner cap.	<p>Burner slots or ports are clogged. With the surface burner OFF and cool, clean ports with a small-gauge wire or needle. If moisture is present after cleaning, lightly fan the flame and allow the burner to operate until flame is full.</p> <p>Burner caps are not seated properly. Check that all burner caps are level and seated correctly on the burner heads. See “Cleaning the surface burners” on page 33 for additional cleaning instructions.</p>
Surface burner flame is too high.	<p>Surface control knob is set too high. Adjust to a lower flame setting.</p> <p>Burner caps are not seated properly. Check that all surface burner caps are level and seated correctly on the surface burner heads. See “Cleaning the surface burners” on page 33 for additional cleaning instructions.</p> <p>Incorrect L.P. conversion. Refer to L.P. conversion kit instructions to correct.</p>
Surface burner flame is orange.	<p>Dust particles in main gas line. Allow the burner to operate a few minutes until flame turns blue. In coastal areas, a slightly orange flame is unavoidable due to salt content in the air.</p> <p>Incorrect L.P. conversion. Refer to L.P. conversion kit instructions to correct.</p>

# 40 BEFORE YOU CALL

<b>Self-Clean Problems</b>	
<b>Problem</b>	<b>Cause / Solution</b>
Self clean does not work.	Oven control not set properly. See "Setting Self Clean" on page 28.
Oven racks discolored or do not slide easily.	Oven racks left in oven cavity during self clean. Remove oven racks from oven cavity before starting a self-clean cycle. Clean by using a mild abrasive cleaner following manufacturer's instructions. Rinse with clean water, dry, and replace in oven.
Soil not completely removed after self clean.	Self clean was interrupted. Review instructions on "Self Cleaning" on page 27.  Excessive spills on oven bottom. Remove excessive spills before starting self clean.  Failure to clean soil from the oven frame, the door liner outside the oven door gasket, and the small area at the front center of the oven bottom. These areas are not in the self-cleaning area, but get hot enough to burn on residue. Clean these areas before starting the self-cleaning cycle. Burned-on residue can be cleaned with a stiff nylon brush and water or a nylon scrubber. Be careful not to damage the oven gasket.
The oven control display shows "SPr" and self-clean is not working.	The cooktop should not be used during a self-clean cycle. On some models, turning on any cooktop surface burner will cause the clean cycle to cancel. If the clean cycle is canceled, the oven control display will show "SPr" for 5 seconds. The oven door will remain locked until the oven has cooled down below cleaning temperature. If the oven is below cleaning temperature, the user can start another clean cycle immediately. If the oven is in cleaning temperature range, another self-clean cycle can be set once the door unlocks (up to 4 hours).

<b>Other Problems</b>	
<b>Problem</b>	<b>Cause / Solution</b>
Appliance is not level.	Be sure the floor is level, strong, and stable enough to adequately support the range.  If the floor is sagging or sloping, contact a carpenter to correct the situation.  Poor installation. Place the oven rack in the center of the oven. Place a level on the oven rack. Adjust the leveling legs at the base of the appliance until the rack is level.  Kitchen cabinet alignment may make range appear not level. Be sure cabinets are square and have sufficient room for appliance clearance.
Cannot move appliance easily. Appliance must be accessible for service.	Cabinets not square or are built in too tightly. Contact the builder or installer to make the appliance accessible.  Carpet interferes with appliance. Provide sufficient space so the appliance can be lifted over carpet. Installation over carpet is not advised. See the installation instructions for guidelines specific to your appliance.
Oven light does not work.	Be sure the oven light is secure in the socket. See "Replacing the Oven Light" on page 35.



Your appliance is covered by a one year limited warranty. For one year from your original date of purchase, Electrolux will pay all costs for repairing or replacing any parts of this appliance that prove to be defective in materials or workmanship when such appliance is installed, used and maintained in accordance with the provided instructions.

**Exclusions**

This warranty does not cover the following:

1. Products with original serial numbers that have been removed, altered or cannot be readily determined.
2. Product that has been transferred from its original owner to another party or removed outside the USA or Canada.
3. Rust on the interior or exterior of the unit.
4. Products purchased "as-is" are not covered by this warranty.
5. Food loss due to any refrigerator or freezer failures.
6. Products used in a commercial setting.
7. Service calls which do not involve malfunction or defects in materials or workmanship, or for appliances not in ordinary household use or used other than in accordance with the provided instructions.
8. Service calls to correct the installation of your appliance or to instruct you how to use your appliance.
9. Expenses for making the appliance accessible for servicing, such as removal of trim, cupboards, shelves, etc., which are not a part of the appliance when it is shipped from the factory.
10. Service calls to repair or replace appliance light bulbs, air filters, water filters, other consumables, or knobs, handles, or other cosmetic parts.
11. Surcharges including, but not limited to, any after hour, weekend, or holiday service calls, tolls, ferry trip charges, or mileage expense for service calls to remote areas, including the state of Alaska.
12. Damages to the finish of appliance or home incurred during installation, including but not limited to floors, cabinets, walls, etc.
13. Damages caused by: services performed by unauthorized service companies; use of parts other than genuine Electrolux parts or parts obtained from persons other than authorized service companies; or external causes such as abuse, misuse, inadequate power supply, accidents, fires, or acts of God.

**DISCLAIMER OF IMPLIED WARRANTIES; LIMITATION OF REMEDIES**

CUSTOMER'S SOLE AND EXCLUSIVE REMEDY UNDER THIS LIMITED WARRANTY SHALL BE PRODUCT REPAIR OR REPLACEMENT AS PROVIDED HEREIN. CLAIMS BASED ON IMPLIED WARRANTIES, INCLUDING WARRANTIES OF MERCHANTABILITY OR FITNESS FOR A PARTICULAR PURPOSE, ARE LIMITED TO ONE YEAR OR THE SHORTEST PERIOD ALLOWED BY LAW, BUT NOT LESS THAN ONE YEAR. ELECTROLUX SHALL NOT BE LIABLE FOR CONSEQUENTIAL OR INCIDENTAL DAMAGES SUCH AS PROPERTY DAMAGE AND INCIDENTAL EXPENSES RESULTING FROM ANY BREACH OF THIS WRITTEN LIMITED WARRANTY OR ANY IMPLIED WARRANTY. SOME STATES AND PROVINCES DO NOT ALLOW THE EXCLUSION OR LIMITATION OF INCIDENTAL OR CONSEQUENTIAL DAMAGES, OR LIMITATIONS ON THE DURATION OF IMPLIED WARRANTIES, SO THESE LIMITATIONS OR EXCLUSIONS MAY NOT APPLY TO YOU. THIS WRITTEN WARRANTY GIVES YOU SPECIFIC LEGAL RIGHTS. YOU MAY ALSO HAVE OTHER RIGHTS THAT VARY FROM STATE TO STATE.

**If You Need Service**

Keep your receipt, delivery slip, or some other appropriate payment record to establish the warranty period should service be required. If service is performed, it is in your best interest to obtain and keep all receipts. Service under this warranty must be obtained by contacting Electrolux at the addresses or phone numbers below.

This warranty only applies in the USA and Canada. In the USA, your appliance is warranted by Electrolux Major Appliances North America, a division of Electrolux Home Products, Inc. In Canada, your appliance is warranted by Electrolux Canada Corp. Electrolux authorizes no person to change or add to any obligations under this warranty. Obligations for service and parts under this warranty must be performed by Electrolux or an authorized service company. Product features or specifications as described or illustrated are subject to change without notice.

**USA**  
**1-800-374-4432**  
Frigidaire  
10200 David Taylor Drive  
Charlotte, NC 28262

**FRIGIDAIRE**

**Canada**  
**1.800.265.8352**  
Electrolux Canada Corp.  
5855 Terry Fox Way  
Mississauga, Ontario, Canada  
L5V 3E4

# FRIGIDAIRE®

## welcome home

Our home is your home. Visit us if you need help with any of these things:



owner support



accessories



service



registration

(See your registration card for more information.)

Frigidaire.com  
1-800-374-4432

Frigidaire.ca  
1-800-265-8352



# GAMME À GAZ

## utilisation et entretien

Introduction . . . . .	2	Réglage des commandes du four . . . . .	21
Importantes mesures de sécurité. . . . .	3	Entretien et nettoyage. . . . .	33
Conseils de cuisson . . . . .	11	Avant de faire appel au service après-vente . . . . .	39
Avant de régler les commandes de la surface . . . . .	14	GARANTIE . . . . .	44
Réglage des commandes de la surface . . . . .	17		
Avant de régler les commandes de four . . . . .	20		

# 2

## INTRODUCTION

### Bienvenue dans notre famille

Merci d'avoir amené Frigidaire chez vous! Nous considérons que votre achat marque le début d'une longue relation avec nous autres.

Ce manuel est votre ressource pour l'utilisation et l'entretien de votre produit. Veuillez le lire avant d'utiliser votre appareil. Gardez-le à portée de main pour une référence rapide. Si quelque chose ne vous semble pas correct, la section Dépannage vous aidera à résoudre les problèmes courants.

Des FAQ, des conseils utiles et des vidéos, des produits de nettoyage ainsi que des accessoires de cuisine et domestiques sont disponibles sur [www.frigidaire.com](http://www.frigidaire.com).

Nous sommes là pour vous! Visitez notre site Web, discutez avec un agent ou appelez-nous si vous avez besoin d'aide. Nous pourrions peut-être vous aider à éviter une visite de service. Si vous avez besoin de service, nous pouvons vous aider.

Faisons-le officiel! Assurez-vous d'enregistrer votre produit.

Conservez les informations de votre produit ici pour qu'il soit facile à trouver.

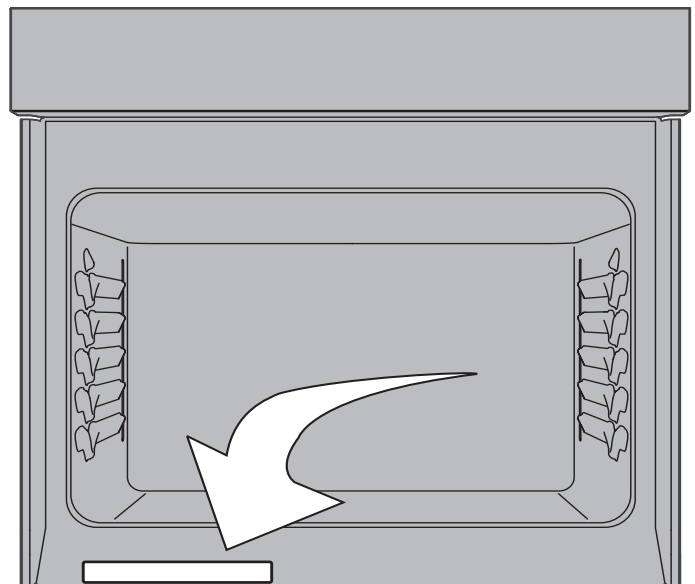
Numéro de modèle: \_\_\_\_\_

Numéro de série: \_\_\_\_\_

Date d'achat: \_\_\_\_\_

### ✓ Liste de contrôle d'installation

- Lisez toutes les consignes de sécurité au début de votre manuel d'utilisation et d'entretien.
- Retirez tous les matériaux d'emballage de votre appareil avant de faire cuire des aliments.
- Vérifiez que l'alimentation électrique de l'appareil est allumée.
- Vérifiez que le régulateur de pression de gaz est activé. Vérifiez les instructions d'installation si vous avez besoin d'aide.
- Essayez l'intérieur de la cavité du four avec un chiffon humide.
- Appliquez une fine couche d'huile de cuisson sur les côtés des grilles du four pour qu'elles glissent en douceur.
- Réglez l'horloge. Voir (page 23) pour les instructions.
- Testez tous les éléments de surface/brûleurs pour vous assurer qu'ils fonctionnent correctement (page 17).
- Avant de faire cuire des aliments, allumez le four à 177 °C (350 °F) pendant 30 minutes (page ref). Certains bruits et odeurs seront générés lors du premier cycle de cuisson; cela est normal.
- N'oubliez pas d'effectuer l'enregistrement de votre produit!



Emplacement du numéro de série


Lisez toutes les instructions avant d'utiliser cet appareil.

Ce guide contient des instructions et des symboles importants concernant la sécurité. Veuillez porter une attention particulière à ces symboles et respecter toutes les directives.

Ne tentez pas d'installer ou d'utiliser votre appareil avant d'avoir lu les mesures de sécurité contenues dans ce manuel. Ces mesures de sécurité sont identifiées par le mot AVERTISSEMENT ou ATTENTION selon le type de risque.

Les avertissements et consignes importantes contenues dans ce manuel ne couvrent pas toutes les situations et conditions potentielles. Faites preuve de bon sens, de prudence et d'attention lors de l'installation, l'entretien et l'utilisation de l'appareil.

## DÉFINITIONS

 Ce symbole signale un avertissement concernant la sécurité. Il sert à vous mettre en garde contre les risques potentiels de blessures corporelles. Respectez toutes les consignes de sécurité qui suivent ce symbole afin d'éviter les risques de blessures ou de mort.

### AVERTISSEMENT

Indique une situation potentiellement dangereuse qui, si elle n'est pas évitée, peut entraîner des blessures graves, voire la mort.

### ATTENTION

Indique une situation potentiellement dangereuse qui, si elle n'est pas évitée, pourrait causer des blessures mineures ou modérées.

### AVERTISSEMENT

Si les directives fournies dans le manuel ne sont pas suivies à la lettre, il y a risque d'incendie ou d'explosion entraînant des dommages matériels, des lésions corporelles, voire la mort.

POUR VOTRE SÉCURITÉ :

- Ne pas entreposer ni utiliser d'essence ou autres vapeurs et liquides inflammables à proximité de cet appareil ou de tout autre appareil.

QUE FAIRE SI VOUS SENTEZ UNE ODEUR DE GAZ :

- Ne pas tenter d'allumer tout appareil.
- Ne pas toucher d'interrupteur électrique et ne pas utiliser de téléphone dans votre bâtiment.
- Appeler immédiatement votre fournisseur de gaz de chez un voisin. Suivre les directives du fournisseur.
- Si vous ne pouvez pas joindre votre fournisseur de gaz, appeler le service des incendies.

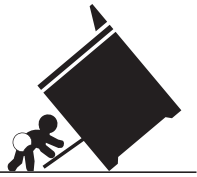
L'installation et l'entretien doivent être effectués par un installateur qualifié, un fournisseur de services ou votre fournisseur de gaz.

### AVERTISSEMENT

Ne faites jamais fonctionner la section de cuisson de surface supérieure de cet appareil sans surveillance.

- Le non-respect de cet avertissement peut entraîner un incendie, une explosion ou un risque de brûlure pouvant entraîner des dommages matériels, des blessures corporelles ou la mort.
- En cas d'incendie, éloignez-vous de l'appareil et appelez immédiatement les pompiers.

**N'ESSAYEZ PAS D'ÉTEINDRE UN FEU D'HUILE/GRAISSE AVEC DE L'EAU.**

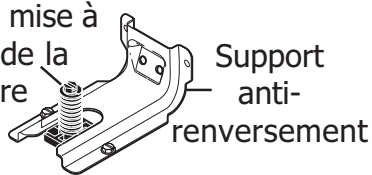
**AVERTISSEMENT****Risque de basculement**

- Un enfant ou un adulte peut faire basculer la cuisinière et en décéder.
- Vérifiez que le dispositif anti-renversement a été fixé au plancher ou au mur.

- Assurez-vous d'enclencher le dispositif anti-renversement lorsque la cuisinière est déplacée sur le plancher ou contre le mur.
- Ne faites pas fonctionner la cuisinière si le dispositif anti-renversement n'est pas en place et enclenché.
- Le non-respect de ces instructions peut causer des blessures fatales ou de graves brûlures aux enfants et aux adultes.



Pied de mise à niveau de la cuisinière



Support anti-renversement

Pour vérifier si le support anti-renversement est correctement installé, attrapez le bord arrière de la cuisinière à deux mains, et essayez doucement de faire basculer la cuisinière vers l'avant. Lorsque le support est correctement installé, la cuisinière ne doit pas basculer vers l'avant.

**IMPORTANT**

Fournit des renseignements sur l'installation, le fonctionnement, l'entretien ou tout autre renseignement important qui n'implique aucun danger.

**REMARQUE**

Indique une note brève et informelle qui sert à rafraîchir la mémoire ou à titre de référence.

**INSTRUCTIONS IMPORTANTES POUR LE DÉBALLAGE ET L'INSTALLATION****IMPORTANT**

Lisez et respectez les instructions et les mises en garde qui suivent pour le déballage, l'installation et l'entretien de votre appareil.

Enlevez tout le ruban adhésif et les matériaux d'emballage avant d'utiliser l'appareil. Détruisez le cartonnage et les sacs en plastique après avoir déballé l'appareil. Ne laissez jamais les enfants jouer avec le matériel d'emballage. N'enlevez pas l'étiquette de câblage ni toute autre indication fixée à l'appareil. Ne retirez pas la plaque du numéro de série et de modèle.

Les températures froides peuvent endommager le système électronique. Si vous utilisez l'appareil pour la première fois ou s'il n'a pas été utilisé pendant une longue période, assurez-vous qu'il a été soumis à des températures de plus de 0 °C (32 °F) pendant au moins 3 heures avant de le mettre en marche.

Tous les matériaux utilisés dans la construction des armoires, des enceintes et des supports entourant le produit doivent avoir une température supérieure à 200 °F (94 °C).

Ne modifiez jamais l'appareil, que ce soit en enlevant les pieds de mise à niveau, des panneaux, des protège-fils, des supports ou des vis anti-basculement, ou toute autre pièce.

Ayez toujours un extincteur à mousse à la vue et facilement accessible près de l'appareil.

## **! AVERTISSEMENT**

Les rideaux d'air ou hottes de cuisinières en hauteur qui projettent de l'air vers la cuisinière en contrebas ne doivent pas être utilisés avec des tables de cuisson ou des cuisinières à gaz, sauf si la hotte et la cuisinière ou la table de cuisson ont été conçues, testées et répertoriées par un laboratoire d'essai indépendant pour une utilisation conjointe.

## INSTRUCTIONS DE MISE À LA TERRE

### **! AVERTISSEMENT**

Évitez tout risque d'incendie ou de choc électrique. Le non-respect de cet avertissement peut entraîner des blessures graves, un incendie ou la mort.

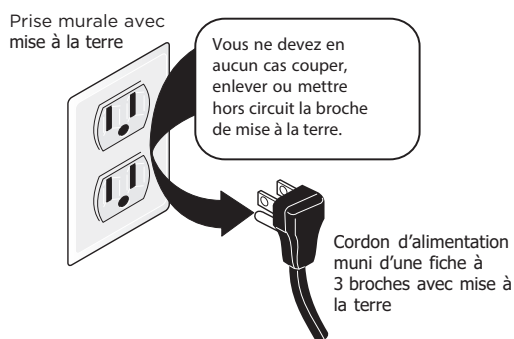
Évitez tout risque d'incendie ou de choc électrique. N'utilisez pas de rallonge électrique ni de fiche d'adaptation et n'enlevez pas la broche de mise à la terre du cordon d'alimentation. Le non-respect de cet avertissement peut entraîner des blessures graves, un incendie ou la mort.

Installation : l'appareil doit être installé et mis à la terre de manière adaptée, par un technicien qualifié. Aux États-Unis, installez l'appareil conformément à la dernière édition du National Fuel Gas Code ANSI Z223.1/NPFA No. 54 et du National Electrical Code NFPA No. 70, et en accord avec les exigences du code électrique local. Au Canada, installez l'appareil conformément aux dernières éditions des normes CAN/CGA B149.1, CAN/CGA B149.2 et CSA Standard C22.1, du Code électrique canadien Partie 1 et aux exigences du code électrique local. Installez l'appareil conformément aux instructions d'installation fournies dans la documentation livrée avec l'appareil.

Pour des raisons de sécurité, cet appareil doit être correctement mis à la terre. Pour un maximum de sécurité, le câble d'alimentation doit être correctement raccordé à une prise électrique ou à un boîtier de raccordement soumis à une tension adaptée, doit être correctement polarisé et mis à la terre et doit être protégé par un disjoncteur, conformément aux codes locaux.

Il est de la responsabilité personnelle du consommateur de demander à un électricien qualifié d'installer une prise murale adéquate ou un boîtier de raccordement adapté et correctement mis à la terre. Il incombe au consommateur de contacter un installateur qualifié pour vérifier que l'installation électrique est adéquate et répond aux normes et règlements locaux.

Cet appareil est muni d'une fiche à trois broches avec mise à la terre pour assurer votre protection contre les chocs électriques. Cette fiche doit être branchée directement dans une prise correctement mise à la terre. N'enlevez pas la broche de mise à la terre de cette fiche.



Cet appareil est muni d'une fiche à trois broches avec mise à la terre pour assurer votre protection contre les chocs électriques. Cette fiche doit être branchée directement dans une prise correctement mise à la terre. N'enlevez pas la broche de mise à la terre de cette fiche.

# 6

## IMPORTANTES MESURES DE SÉCURITÉ

Pour des raisons de sécurité, cet appareil doit être correctement mis à la terre. Pour un maximum de sécurité, la fiche de l'appareil doit être branchée dans une prise correctement polarisée et mise à la terre.

Si une prise murale à deux broches est la seule prise à votre disposition, il vous revient de demander à un technicien qualifié de la remplacer par une prise murale à trois alvéoles correctement mise à la terre.

### Conversion au GPL

Cet appareil est conçu pour permettre la conversion au gaz de pétrole liquéfié (GPL).



#### AVERTISSEMENT

Pour éviter les risques de blessure ou de mort par choc électrique, confiez la conversion au GPL à un installateur ou un électricien qualifié. Les ajouts, changements ou conversions requis doivent être faits par un technicien qualifié afin de répondre de façon satisfaisante aux exigences d'utilisation.

Si une conversion au GPL est nécessaire, communiquez avec votre fournisseur de GPL pour obtenir de l'aide.

Consultez les instructions d'installation fournies avec cet appareil pour y trouver tous les renseignements sur l'installation et la mise à la terre.

## INSTRUCTIONS IMPORTANTES POUR L'UTILISATION DE L'APPAREIL



#### AVERTISSEMENT

Rangement à l'intérieur ou sur l'appareil- Les matériaux inflammables ne doivent pas être rangés dans un four ou un micro-ondes, près des brûleurs ou des éléments de surface ou dans le tiroir chauffant ou le tiroir de stockage (le cas échéant). Cela inclut les articles en papier, en plastique et en tissu comme les livres de cuisine, les ustensiles en plastique et les chiffons, ainsi que tout liquide inflammable. Ne rangez pas de produits explosifs comme des bombes aérosol sur l'appareil ou à proximité de celui-ci.

Ne pas laisser les enfants sans surveillance - Les enfants ne doivent pas rester seuls ou sans surveillance lorsque l'appareil est en marche. Ne les laissez jamais s'asseoir ou se tenir debout sur une partie quelconque de l'appareil, notamment le tiroir de rangement, le tiroir-gril inférieur, le tiroir chauffant ou le four double inférieur.

Ne stockez pas d'objets susceptibles de susciter l'intérêt des enfants dans les placards au-dessus de l'appareil ou sur le dossier de la cuisinière. Les enfants risquent de se blesser gravement en essayant d'attraper ces objets.

Ne laissez pas les enfants grimper ou jouer autour de l'appareil. Le poids d'un enfant sur une porte de four ouverte peut suffire pour faire basculer le four et entraîner de graves brûlures ou d'autres blessures. Un tiroir ouvert qui est chaud peut causer des brûlures.

Grimper, s'appuyer ou s'asseoir sur les portes ou les tiroirs de cet appareil peut causer de graves blessures et endommager l'appareil.





## AVERTISSEMENT

Ne couvrez jamais les fentes, les trous ni les passages d'air au bas du four et ne recouvrez jamais une grille dans sa totalité avec un matériau comme du papier d'aluminium. Vous bloqueriez la circulation d'air autour du four et vous vous exposeriez ainsi à une intoxication par monoxyde de carbone. Le papier d'aluminium peut retenir également la chaleur, pouvant causer un risque d'incendie

N'utilisez pas le four ou le tiroir chauffant (le cas échéant) comme espace de rangement.

N'utilisez jamais cet appareil comme radiateur indépendant pour chauffer une pièce. Cela entraîne un risque d'empoisonnement au monoxyde de carbone et de surchauffe de l'appareil.

Lorsque vous faites chauffer de l'huile ou de la graisse, surveillez-en attentivement la cuisson. La graisse peut s'enflammer si elle devient trop chaude.

Ne tentez pas d'éteindre un feu de friture avec de l'eau ou de la farine. Éteuffez le feu ou les flammes ou utilisez un extincteur à poudre sèche ou à mousse. Couvrez le feu avec un couvercle de poêle ou utilisez du bicarbonate de soude.

Utilisez des maniques sèches. Des maniques mouillées ou humides en contact avec des surfaces chaudes peuvent causer des brûlures par la vapeur. Ne laissez pas les maniques entrer en contact avec des surfaces de cuisson chaudes. Ne vous servez pas d'un chiffon ni d'un linge épais.



## ATTENTION

Ne réchauffez pas de contenants fermés. L'accumulation de pression peut faire exploser le contenant et causer des blessures.

Portez des vêtements appropriés. Ne portez jamais de vêtements amples ni flottants lorsque vous utilisez cet appareil. Ne laissez pas les matériaux inflammables et les vêtements venir en contact avec des surfaces chaudes.

Ne touchez pas les brûleurs ou les éléments de surface ou les zones à proximité, les surfaces intérieures du four ou encore le tiroir chauffant (le cas échéant). Les brûleurs et les éléments de surface peuvent être chauds même s'ils semblent froids. Les zones situées près des brûleurs et des éléments de surface peuvent devenir suffisamment chaudes pour causer des brûlures. Pendant et après l'utilisation, ne touchez pas ces zones et ne laissez pas vos vêtements ni d'autres produits inflammables entrer en contact avec celles-ci, avant qu'elles n'aient eu le temps de refroidir. Ces zones comprennent la table de cuisson, les surfaces orientées vers la table de cuisson, les ouvertures de l'évent du four, la porte et le hublot du four.

N'essayez pas de faire fonctionner l'appareil pendant une panne de courant. En cas de panne, arrêtez toujours l'appareil. Si l'appareil n'est pas éteint et que le courant est rétabli, les éléments de surface électriques peuvent se remettre en marche. Une fois le courant rétabli, reprogrammez l'horloge et les fonctions du four.

**INSTRUCTIONS IMPORTANTES CONCERNANT L'UTILISATION DE VOTRE TABLE DE CUISSON À GAZ****ATTENTION**

Utilisez une flamme de dimension appropriée : réglez la flamme de façon à ce qu'elle ne dépasse pas du bord de l'ustensile. Si vous utilisez des ustensiles de dimension insuffisante, une partie de la flamme du brûleur sera à découvert et pourrait enflammer les vêtements qui entrent en contact avec la flamme. Un bon contact entre l'ustensile et la flamme améliore aussi l'efficacité du brûleur.

Sachez quels boutons ou commandes tactiles correspondent à chaque zone de cuisson. Placez un ustensile contenant des aliments sur la zone de cuisson avant de la mettre en marche. Éteignez la zone de cuisson avant de retirer l'ustensile.

Utilisez des ustensiles de taille appropriée. Cet appareil est équipé d'un ou de plusieurs éléments de différentes tailles. Choisissez des ustensiles dont le dessous est plat et dont la dimension correspond à la taille de l'élément de cuisson de l'appareil. Si vous utilisez des ustensiles trop petits, une partie de la flamme sera à découvert, ce qui risque de provoquer l'inflammation des vêtements ou autres objets. L'utilisation d'un ustensile adéquat sur les zones de cuisson améliore l'efficacité de la cuisson.

Tournez toujours le bouton sur la position « LITE » pour allumer les brûleurs de surface. Vérifiez si le brûleur s'est allumé. Réglez ensuite la flamme pour qu'elle ne dépasse pas du bord de l'ustensile.

Pour réduire les risques de brûlure, d'inflammation de matériaux et de renversement causés par le contact accidentel avec l'ustensile, la poignée des ustensiles doit être placée vers l'intérieur et non au-dessus des autres brûleurs de surface.

Ne laissez jamais les brûleurs de surface sans surveillance à des réglages élevés : les débordements peuvent causer de la fumée, la graisse peut s'enflammer ou une casserole laissée vide peut fondre.

Ustensiles émaillés : en raison des brusques changements de température, seuls certains types d'ustensiles en verre, en vitrocéramique, en céramique, en terre cuite, ou d'autres ustensiles émaillés peuvent être utilisés avec la table de cuisson sans risquer qu'ils ne se fendent. Vérifiez les recommandations du fabricant quant à leur utilisation sur une surface de cuisson.

Si vous faites flamber des aliments sous une hotte, mettez le ventilateur en marche.

**INSTRUCTIONS IMPORTANTES POUR L'UTILISATION DE VOTRE FOUR**

Revêtements protecteurs : n'utilisez pas de papier d'aluminium, des revêtements de four de marché secondaire ou tout autre matériau ou dispositif sur la sole, les grilles ou toute autre pièce de l'appareil. Utilisez du papier d'aluminium uniquement pour la cuisson, selon les recommandations, par exemple pour recouvrir les aliments ou protéger les plats. Toute autre utilisation de revêtements protecteurs ou de papier d'aluminium peut entraîner un risque de décharge électrique, d'incendie ou de court-circuit.

---

Soyez prudent lorsque vous ouvrez la porte du four, la porte du four inférieur ou le tiroir chauffant (sur certains modèles). Tenez-vous sur le côté de l'appareil lorsque vous ouvrez la porte du four et que ce dernier est chaud. Laissez l'air chaud ou la vapeur s'échapper du four avant d'en retirer ou d'y placer des aliments.

Ne bloquez pas les conduits de ventilation du four. Si vous touchez les surfaces de cette zone lorsque le four est en marche, vous risquez de vous brûler gravement. Ne placez pas d'articles en plastique ni d'articles sensibles à la chaleur sur ou près de l'évent du four. Ces articles peuvent fondre ou s'enflammer.

Installation des grilles de four : disposez toujours les grilles à l'emplacement désiré lorsque le four est froid. Si vous devez déplacer une grille alors que le four est chaud, évitez que les maniques entrent en contact avec les éléments chauds ou les brûleurs du four. Utilisez des maniques et tenez la grille fermement avec les deux mains pour la remettre en place. Retirez tous les ustensiles de cuisson qui se trouvent sur la grille avant de l'enlever.

Ne vous servez pas d'une lèchefrite sans sa grille. Les lèchefrites et les grilles de lèchefrite permettent à la graisse de s'écouler et de rester à l'écart de la forte chaleur dégagée par le gril. Évitez de recouvrir la grille de la lèchefrite de papier d'aluminium; la graisse ainsi exposée pourrait prendre feu.

Ne cuisez jamais d'aliment sur la sole du four. Utilisez toujours un plat ou moule approprié et employez toujours les grilles du four.

### INSTRUCTIONS IMPORTANTES POUR LE NETTOYAGE DE L'APPAREIL



#### ATTENTION

Avant de nettoyer manuellement une partie de l'appareil, assurez-vous que toutes les commandes sont éteintes et que l'appareil a refroidi. Vous pouvez vous brûler en nettoyant un appareil chaud.

Nettoyez régulièrement votre appareil pour enlever la graisse sur toutes ses pièces, car cette graisse risque de prendre feu. Ne laissez pas la graisse s'y accumuler. Les dépôts graisseux présents dans le ventilateur peuvent s'enflammer.

Suivez toujours les recommandations du fabricant concernant l'utilisation de produits nettoyants et d'aérosols. Les résidus excessifs de nettoyants et d'aérosols risquent de prendre feu et de causer des dommages et des blessures.

Nettoyez fréquemment les hottes de ventilation. Ne laissez pas de graisse s'accumuler sur la hotte ni sur le filtre. Respectez les instructions de nettoyage fournies par le fabricant de la hotte.

# 10 IMPORTANTES MESURES DE SÉCURITÉ

## INSTRUCTIONS IMPORTANTES POUR LES FOURS AUTONETTOYANTS



### ATTENTION

Avant de lancer l'autonettoyage, retirez la lèchefrite, les aliments, les ustensiles et les plats du four, du tiroir de stockage ou du tiroir chauffant (le cas échéant). Retirez les grilles du four, sauf indication contraire.

Ne nettoyez pas le joint de la porte du four. Le joint de la porte est essentiel à une bonne étanchéité. Ne frottez pas le joint, ne l'endommagez pas et ne le déplacez pas.

N'utilisez pas de revêtement protecteur pour tapisser le four et n'utilisez pas de nettoyeur pour four commercial à moins qu'il ne soit certifié pour une utilisation dans un four autonettoyant.

Utilisez le cycle d'autonettoyage uniquement pour nettoyer les pièces indiquées dans ce manuel.

Certains oiseaux de compagnie sont très sensibles aux vapeurs dégagées pendant l'autonettoyage des fours. Déplacez les oiseaux dans une pièce bien ventilée.

## INSTRUCTIONS IMPORTANTES POUR L'ENTRETIEN ET LA MAINTENANCE

Ne réparez pas et ne remplacez pas des pièces de l'appareil, sauf sur recommandation spécifique dans les manuels. Toute autre réparation doit être effectuée par un technicien qualifié. Vous réduirez ainsi les risques de blessures et éviterez d'endommager l'appareil.

En cas de problème ou de situation que vous ne parvenez pas à résoudre, contactez le fournisseur, distributeur, technicien de maintenance ou fabricant.

Demandez à votre revendeur de vous recommander un technicien qualifié ainsi qu'un centre de réparation agréé. En cas d'urgence, sachez comment couper l'alimentation électrique de l'appareil au niveau de la boîte de fusibles ou du disjoncteur.

Enlevez la porte du four si vous entreposez ou mettez l'appareil au rebut.

Ne touchez pas à l'ampoule du four avec un chiffon humide lorsque l'ampoule est chaude. Cela pourrait casser l'ampoule. Manipulez les lampes halogènes (le cas échéant) avec des serviettes en papier ou des gants souples. Débranchez l'appareil ou coupez son alimentation électrique avant de retirer et de remplacer l'ampoule.




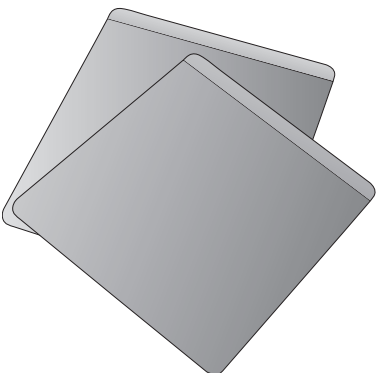


### AVERTISSEMENT

Résidents de Californie: pour obtenir des renseignements sur le cancer et les problèmes de reproduction, visitez [www.P65Warnings.ca.gov](http://www.P65Warnings.ca.gov)

**Ustensiles de pâtisserie**

Le matériau de fabrication des ustensiles de pâtisserie affecte la répartition et le transfert rapide et uniforme de la chaleur du plat aux aliments.

Matériau	Caractéristiques	Recommandations
<p>Ustensiles de pâtisserie brillants</p> 	<p>Les ustensiles de pâtisserie brillants en aluminium ou en matériau non revêtu sont idéals pour une cuisson uniforme. Ils conviennent à tous les produits de boulangerie et pâtisseries</p>	<p>Les températures et durées de cuisson recommandées sont fondées sur l'utilisation d'ustensiles de pâtisserie brillants.</p>
<p>Ustensiles de pâtisserie foncés</p> 	<p>Les ustensiles de pâtisserie foncés cuisent à plus haute température que les plats brillants.</p>	<p>Réduire la température de cuisson de 25 °F (13 ou 14 °C) avec les ustensiles foncés.</p>
<p>Ustensiles en verre</p> 	<p>Les ustensiles de pâtisserie en verre cuisent à plus haute température que les plats brillants.</p> <p>Les plats en verre sont pratiques; ils permettent de cuire, de servir et de ranger les aliments.</p>	<p>Réduire la température de cuisson de 25 °F (13 ou 14 °C) avec les ustensiles en verre.</p>
<p>Ustensiles de pâtisserie à isolation thermique</p> 	<p>Les ustensiles de pâtisserie à isolation thermique cuisent à plus haute température que les plats brillants.</p> <p>Ils sont conçus pour la cuisson dans les fours au gaz.</p>	<p>Augmenter la température de cuisson de 25 °F (13 ou 14 °C) avec les ustensiles à isolation thermique.</p>

# 12 CONSEILS DE CUISSON

## Conditions de cuisson

Les conditions de votre cuisine affectent la performance de cuisson de votre électroménager.

Condition	Caractéristiques	Recommandations
Les ustensiles de pâtisserie vieillissants	Les ustensiles se décolorent en vieillissant; on devra peut-être réduire quelque peu la durée de cuisson.	les aliments sont trop brunis ou trop cuits, utiliser la durée minimale de cuisson de la recette ou inscrite sur l'emballage.  Si les aliments ne sont pas assez brunis ou pas assez cuits, utiliser la durée maximale de cuisson de la recette ou inscrite sur l'emballage.
En haute altitude	L'air est plus sec et la pression est plus faible.  L'eau bout à moindre température et les liquides s'évaporent plus rapidement.  Les aliments peuvent prendre plus de temps à cuire.  La pâte peut lever plus rapidement.	Il est nécessaire d'ajuster la température, la durée de cuisson ou la recette selon le besoin.  Augmenter la quantité de liquide de la recette.  Augmenter la durée de cuisson. Couvrir le plat pour empêcher l'évaporation.  Augmenter la durée de cuisson ou la température du four.  Réduire la quantité de bicarbonate ou de poudre à lever. Réduire le temps de levée ou dégonfler la pâte et laisser lever deux fois.

## Résultats de cuisson

Des mises au point minimales peuvent solutionner les problèmes de cuisson des aliments qui ne sont pas à votre goût.

Résultats	Recommandations
Nourriture pas assez brunie	Utiliser la durée moyenne ou maximale de cuisson de la recette ou de l'emballage.
Nourriture trop brunie	Utiliser la durée minimale de cuisson de la recette ou de l'emballage.

## Trucs de cuisson

Voir ces trucs supplémentaires pour obtenir de meilleurs résultats de votre électroménager.

Trucs de cuisson	Recommandations
<b>Cuisson</b>	
Disposition des grilles	Suivre les instructions dans "Setting Oven Controls" commençant à page 13.  Placer une grille unique de façon à ce que les aliments se retrouvent au centre du four.
Préchauffer	Bien préchauffer le four avant la cuisson des aliments comme les biscuits, les gâteaux, galettes ou le pain. Mettre les aliments immédiatement après le bip.
Vérifier les aliments	Allumer la lampe de four pour vérifier les aliments par la vitre. Ouvrir la porte réduit les résultats de cuisson de la cuisson.
Cuisson ou cuisson par convection	La cuisson par convection est la meilleure à utiliser pour la cuisson sur plusieurs grilles. Pour de meilleurs résultats, voir "Convection Bake" à la page 18.
Disposition des aliments	Laisser au moins 5 cm (2 pouces) d'espace entre les ustensiles de pâtisserie pour une bonne circulation d'air.

Trucs de cuisson	Recommandations
<b>Griller ou rôtir</b>	
Lèche-frite	<p>Pour de meilleurs résultats de grillage, utiliser une lèche-frite avec une grille conçue pour éliminer les graisses, contribuer à éviter les éclaboussures et réduire la fumée. La lèche-frite récupère les déversements de graisse et la grille prévient les éclaboussures.</p> <p>Si la lèche-frite et la grille ne sont pas fournies avec l'appareil ménager, ils peuvent être achetés sur <a href="http://frigidaire.com">frigidaire.com</a>.</p>
<b>Cuisson par convection</b>	
Caractéristiques de la cuisson par convection	<p>La cuisson par convection utilise un ventilateur pour faire circuler la chaleur autour du four et des aliments. Elle brunit les aliments de façon plus uniforme et réduit les « points chauds » dans le four.</p> <p>La convection épargne vous fait gagner du temps si vous utilisez plusieurs grilles pour cuire plusieurs aliments à la fois.</p>
Cuisson pâtissière par convection	<p>Réduire la température de cuisson de 25 °F (13 ou 14 °C) de celle de la recette sauf si elle est écrite pour la cuisson par convection.</p> <p>Préchauffer le four pour obtenir les meilleurs résultats.</p>
Cuisson au grilloir par convection	<p>Il n'est pas conseillé de réduire la température de cuisson au grilloir par convection.</p> <p>L'utilisation de la salamandre représente une exposition directe à une source de chaleur et va produire de la fumée. Si la fumée est excessive, éloigner les aliments de la salamandre.</p>
Rôtir par convection	<p>Rôtir par convection est idéal pour la viande et ne nécessite pas de préchauffage pour la plupart des viandes et volailles.</p> <p>Il n'est pas conseillé de réduire la température de cuisson pour rôtir par convection. Respecter soigneusement les recommandations de votre recette en ce qui a trait à la température et à la durée de cuisson; ajuster la durée de cuisson si la recette ne mentionne pas la convection.</p> <p>Puisque rôtir par convection cuit plus rapidement, la durée de cuisson peut être réduite de 25 à 40 % selon le type de nourriture. Il est possible de réduire la durée de cuisson jusqu'à 25 % de la période conseillée dans une recette normale; vérifier les aliments à ce point. Le cas échéant, augmenter la durée de cuisson jusqu'à l'obtention des résultats attendus.</p> <p>Utiliser une sonde de cuisson si disponible. Les sondes sont disponibles dans la plupart des épiceries et des quincailleries.</p> <p>Disposer les grilles de façon à ce que les gros morceaux de viande et la volaille soient placés sur la plus basse grille du four.</p> <p>Ne pas couvrir les aliments pour la cuisson à sec; cela empêche la viande de brunir convenablement.</p> <p>Utiliser une lèche-frite et une grille ou une grille à rôtir pour la cuisson des viandes. La lèche-frite attrape les déversements de graisse et la grille prévient les éclaboussures de graisse. Si vous ne possédez pas ces accessoires, on peut les acheter chez <a href="http://Frigidaire.com">Frigidaire.com</a></p>

# 14 AVANT DE RÉGLER LES COMMANDES DE LA SURFACE

## Brûleurs à gaz

Votre cuisinière est munie de brûleurs à gaz en surface à taux de BTU variés. La capacité de chauffer la nourriture plus rapidement et en plus grandes quantités s'accroît avec la taille du brûleur.

- Les petits brûleurs conviennent mieux au chauffage à flamme faible de petites quantités de nourriture.
- Les brûleurs standard sont utilisés pour la plupart des besoins de cuisson de surface.
- Les grands brûleurs sont conseillés pour amener de grandes quantités de liquide à température et pour la préparation de grandes quantités de nourriture. Le grand brûleur est situé à l'avant droit de la surface de cuisson.

Peu importe la quantité, il est important de choisir des ustensiles qui conviennent à la quantité et au type d'aliments préparés. Choisir un brûleur et une flamme de taille qui convient au plat de cuisson. Ne jamais laisser la flamme s'étendre au-delà du bord extérieur de la casserole.

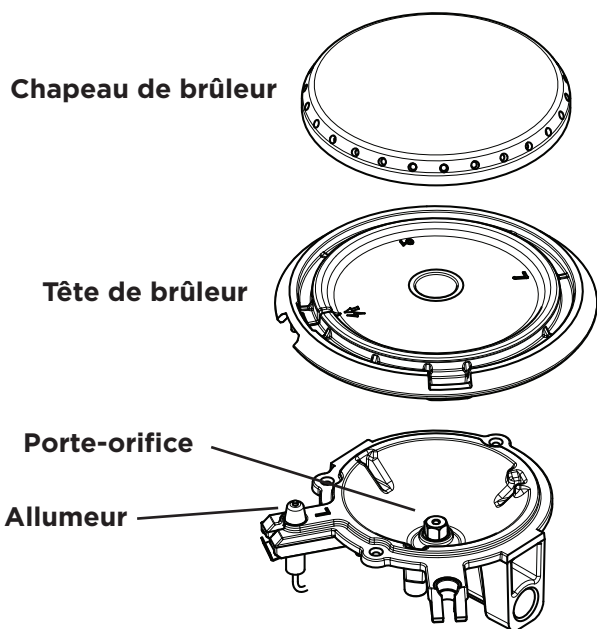


Figure 1: Chapeau de brûleur, tête de brûleur, allumeur et orifice

## Montage des capuchons de brûleur

S'assurer que tous les capuchons et les grilles des brûleurs sont installés correctement et au bon endroit.

1. Retirer tous les emballages de la surface de cuisson.
2. S'assurer que les capuchons des brûleurs sont correctement installés.

**Important :** la tête du brûleur a un trou qui s'adapte sur l'allumeur. Assurez-vous que la tête est bien ajustée avant de placer les chapeaux des brûleurs.

**Remarque :** Déballez les grilles des brûleurs et placez-les sur la table de cuisson une fois que les têtes et les chapeaux des brûleurs sont correctement installés.



## ATTENTION

- Éviter que les renversements, de la nourriture, agents nettoyants ou tout autre matériau pénètrent dans les orifices de gaz du brûleur.
- Valider que toutes les têtes de brûleur et tous les capuchons sont bien en place lorsque les brûleurs sont en fonction.
- Ne jamais placer d'objets inflammables sur la surface de cuisson



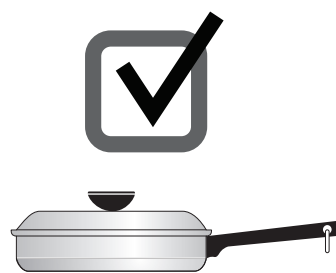
## Utiliser les ustensiles de cuisine appropriés

La taille et le type d'ustensiles de cuisine utilisés auront une influence sur la température nécessaire pour obtenir de meilleurs résultats de cuisson. Veiller à suivre les recommandations pour l'utilisation des ustensiles de cuisine comme illustré dans Figure 1 et Figure 2.

Vérifier sa planéité en faisant tourner une règle sur le fond de la casserole (voir Figure 1). Les ustensiles de cuisine doivent avoir des fonds plats qui sont bien en contact avec toute la surface de l'élément de chauffage (voir Figure 2).



**Figure 2: Mise à l'essai des ustensiles de cuisine**



- Fond plat et côtés droits.
- Couvercles bien ajustés.
- Le poids de la poignée ne fait pas basculer l'ustensile. Le poids de l'ustensile est bien réparti.
- La dimension des ustensiles correspond à la quantité de nourriture à préparer et à la grandeur de l'élément de surface.
- Fait d'un matériau qui conduit bien la chaleur.
- Facile à nettoyer.
- Faites toujours correspondre le diamètre de l'ustensile à la grandeur de l'élément.



- Ustensile courbé ou gauchi.



- L'ustensile dépasse le cercle de la zone de cuisson de plus d'un demi-pouce ou 12 mm.



- Le poids de la poignée fait basculer l'ustensile.



- Le diamètre de l'ustensile est plus petit que la surface de cuisson marquée sur la table de cuisson.

## Types de matériel

Le matériel de cuisine détermine comment la chaleur est rapidement et uniformément transférée de l'élément de surface au fond de l'ustensile. Les matériaux les plus populaires sont :

- Aluminium - un excellent conducteur thermique. Certains types d'aliments la feront foncer (l'aluminium anodisé résiste aux taches et piqûres). Si on laisse des casseroles d'aluminium glisser sur la surface de cuisson en céramique, elles laissent parfois des marques métalliques qui ressemblent à des égratignures. Enlever immédiatement ces marques.
- Cuivre - un excellent conducteur thermique ; il se décolore facilement (voir aluminium).
- Acier inoxydable - un mauvais conducteur thermique ; donne une cuisson inégale. Durable, facile à nettoyer, il résiste aux taches.
- Fonte - un mauvais conducteur thermique ; toutefois, elle conserve très bien la chaleur. Cuit uniformément une fois la température de cuisson atteinte. Si on laisse des casseroles en fonte glisser sur la surface de cuisson en céramique, elles laissent parfois des marques métalliques qui ressemblent à des égratignures. Enlever immédiatement ces marques.
- Porcelaine-émail sur métal - les caractéristiques de chauffage varient selon le matériau de base. Le revêtement de porcelaine émaillée doit être lisse pour éviter d'égratigner la surface de cuisson en céramique.
- Verre - un mauvais conducteur thermique. Déconseillé pour les surfaces de cuisson en céramique ; peut égratigner le verre.

### ▶ IMPORTANT

Éviter de placer des ustensiles vides en aluminium, en verre ou en porcelaine émaillée sur les surfaces de cuisson en céramique. Le point de fusion des ustensiles de cuisine fabriqués avec ces matériaux est atteint rapidement, surtout si laissés vides ; ils peuvent adhérer aux surfaces de cuisson en céramique. Si l'ustensile fond, il peut endommager la surface de cuisson. Suivre toutes les recommandations du fabricant pour l'utilisation et l'entretien des ustensiles de cuisine.

### ▶ IMPORTANT

Ne placez JAMAIS ou ne chevauchez pas un ustensile de cuisine sur deux zones de cuisson différentes en même temps. Une utilisation incorrecte peut endommager la table de cuisson.

**Table 1: Ustensiles de cuisine appropriés**

### Montage des grilles de brûleur

Pour installer les grilles de brûleur, les placer côté plat vers le bas et les aligner-les dans la zone en retrait de la surface de cuisson.

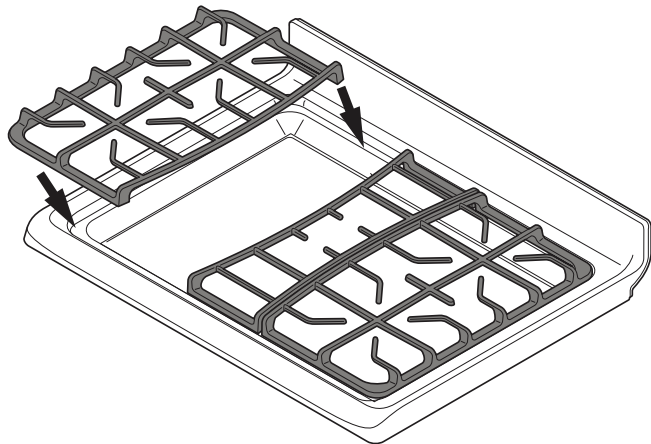


Figure 3: Installation correcte des grilles



#### IMPORTANT

- Veiller à ce que les grilles soient bien en place sur la surface de cuisson avant d'allumer les brûleurs (Figure 4). Les grilles sont conçues pour reposer à l'intérieur de la zone en retrait de la table de cuisson.
- Les grilles doivent reposer à plat l'une contre l'autre et contre les bords du renforcement
- Éviter de recouvrir les zones sous les brûleurs ou toute partie de la surface de cuisson avec du papier aluminium ou tout autre revêtement.

### Mise en conserve à la maison

S'assurer de lire et de respecter l'ensemble des points suivants lors de la mise en conserve domestique avec votre appareil ménager. Vérifier auprès du site Web du ministère de l'Agriculture des États-Unis (USDA) et s'assurer de lire toutes les informations dont ils disposent et suivre leurs recommandations pour la mise en conserve à la maison.

- Utiliser uniquement une marmite de mise en conserve à fond complètement plat et sans crêtes qui rayonnent à partir du centre. Un fond plat répartit la chaleur de façon plus uniforme. Vérifier le fond de la marmite avec une équerre.
- Veiller à ce que le diamètre de la marmite de mise en conserve ne dépasse pas la largeur de la grille de plus de 25 mm (1 po).
- Il est conseillé d'utiliser une marmite de mise en conserve de plus petit diamètre sur un serpentin électrique et sur les surfaces de cuisson en vitrocéramique; veiller à bien centrer la marmite sur la grille du brûleur.
- Commencer par de l'eau chaude du robinet pour porter rapidement l'eau à ébullition.
- Utiliser d'abord le réglage le plus élevé pour porter l'eau à ébullition. Une fois l'ébullition atteinte, baisser le feu à son réglage le plus bas possible pour maintenir l'ébullition.
- Cuisiner uniquement des recettes éprouvées et suivre soigneusement les instructions. Les dernières informations sur la mise en conserve sont disponibles auprès du Cooperative Agricultural Extension Service américain ou chez le fabricant des pots de conserve.
- Il est préférable de mettre de petites quantités en conserve et de garder la charge réduite.
- Éviter de laisser le bac à eau ou l'autoclave de mise en conserve sur une chaleur intense pendant une période prolongée.

## Réglage des commandes de la surface de cuisson

La capacité de chauffer la nourriture plus rapidement et en plus grandes quantités s'accroît avec la taille du brûleur. Votre cuisinière au gaz peut être équipée de brûleurs de surface de tailles variées.

Il est important de choisir des ustensiles qui conviennent à la quantité et au type d'aliments préparés. Choisir un brûleur et une flamme de taille agencée au plat de cuisson.

- Les brûleurs standard sont utilisés pour la plupart des besoins de cuisson de surface.
- Les petits brûleurs conviennent mieux au chauffage à feu doux de petites quantités de nourriture.
- Les grands brûleurs sont conseillés pour amener de grandes quantités de liquide à température et pour la préparation de grandes quantités de nourriture.

### Réglage des brûleurs de la surface de cuisson:

1. Placer l'ustensile de cuisine au centre de la grille du brûleur de surface. S'assurer que l'ustensile de cuisine est stable sur la grille du brûleur.
2. Appuyer sur le bouton de commande correspondant et tourner dans le sens antihoraire hors de la position < OFF > (FERMÉ) (Figure 1).
3. Relâcher le bouton de commande et tourner sur la position < LITE > (allumage) (🔥). Valider visuellement l'allumage du brûleur et la stabilité de la flamme.
4. Une fois le brûleur allumé, pousser le bouton de commande et tourner dans le sens antihoraire jusqu'à ce que la flamme atteigne la taille souhaitée. Ajuster la flamme au besoin selon les indications sur le bouton.

## ⚠ ATTENTION

Éviter de déposer des objets inflammables comme des salières et poivrières en plastique des porte-cuillères ou des emballages en plastique sur la table de cuisson lorsqu'elle est en service. Ces éléments peuvent fondre ou prendre feu. Les poignées, serviettes ou les cuillères en bois peuvent prendre feu si elles sont laissées trop près des brûleurs.

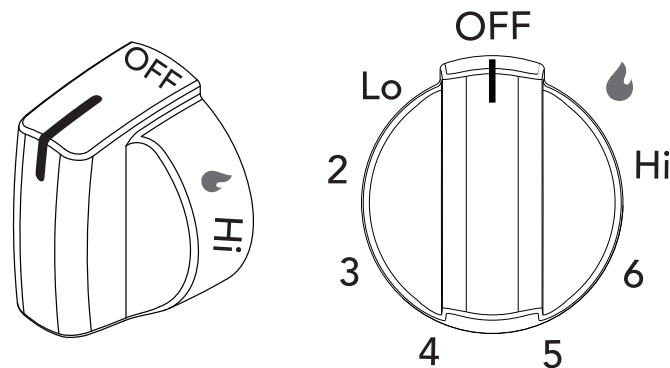


Figure 4: Bouton de commande de la surface de cuisson

## 📌 REMARQUE

- Lors du réglage d'un bouton de commande sur la position < LITE > (allumage), tous les circuits d'allumage électronique produisent simultanément une étincelle. Toutefois, seul le brûleur de surface utilisé s'enflamme.
- Les brûleurs de surface peuvent être allumés manuellement dans l'éventualité de panne de courant. Pour allumer manuellement un brûleur de surface, tenir une allumette allumée à la tête du brûleur, puis tourner lentement le bouton sur < LITE > (allumage). Une fois le brûleur allumé, pousser le bouton de commande et tourner hors de la position < LITE > (allumage) et régler la flamme. Faire preuve de prudence lors d'un allumage manuel des brûleurs de surface.

# 18 RÉGLAGE DES COMMANDES DE LA SURFACE

## Réglage de la taille de flamme d'un brûleur

La couleur de la flamme est votre meilleur indice de réglage d'un brûleur. Une bonne flamme est claire, bleue et à peine visible dans une pièce bien éclairée. Chaque cône de la flamme doit être constant et net. Nettoyer le brûleur ou ajuster la flamme si elle tourne au jaune orange.

Pour la plupart des cuissons : Commencer par le réglage d'intensité le plus élevé, puis passer à un niveau inférieur pour terminer le processus. Utiliser les recommandations ci-dessous pour déterminer la bonne intensité de flamme pour divers types de cuisson (Figure 3).

Pour la grande friture : Régler le bouton de la surface de cuisson à l'aide d'un thermomètre. Si la graisse n'est pas assez chaude, la nourriture va l'absorber et demeurer grasseuse. Si la graisse est trop chaude, l'aliment va brunir si rapidement que le centre ne sera pas assez cuit. Ne pas frire trop d'aliments à la fois; la nourriture ne brunira pas et ne cuira pas correctement.

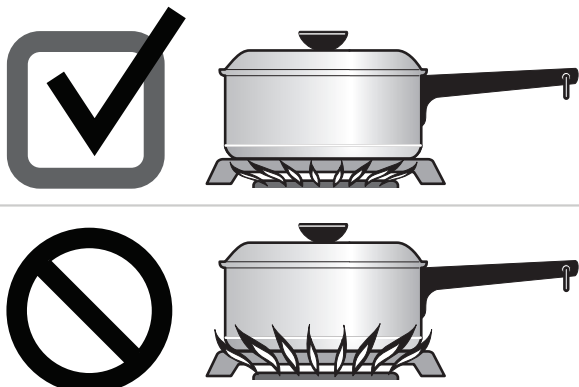


Figure 5: Réglage de la flamme

Taille de flamme	Type de cuisson
Feu vif	Démarrer la cuisson de la plupart des aliments, amener l'eau à ébullition, grillage en lèche-frite
Feu moyen	Maintenir une légère ébullition, épaissir les sauces à viande, les sauces, la cuisson à la vapeur
Feu doux	Terminer la cuisson, cuisson à l'étuvée, pocher

Ces réglages sont fondés sur l'utilisation d'ustensiles en aluminium ou en métal de calibre moyen avec couvercles. Les paramètres varient avec d'autres types d'ustensiles.

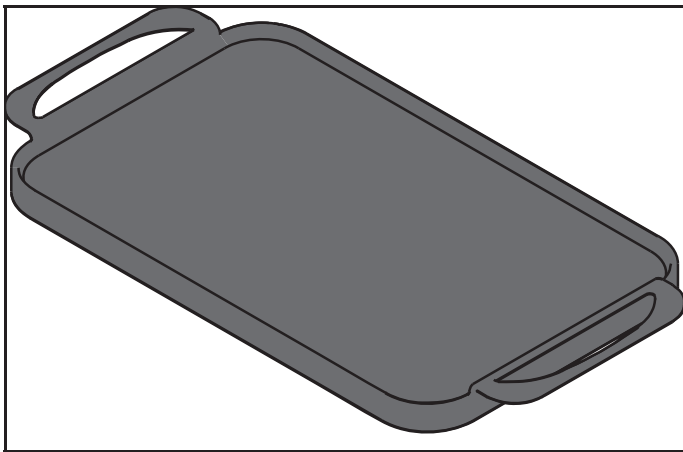
**Table 2: Réglages de la flamme recommandés pour la cuisson**



### ATTENTION

Ne jamais laisser la flamme s'étendre au-delà de l'extrémité extérieure de l'ustensile. Une flamme plus vive gaspille simplement la chaleur et l'énergie et augmente le risque de brûlure (Figure 2).

## Cuisson avec une plaque à frire (certains modèles)



**Figure 6: Plaque à frire**

La plaque à frire est un ustensile polyvalent parfait pour la cuisson des aliments qui nécessitent de grandes surfaces plates comme les crêpes, le pain doré, les sandwichs grillés, le bacon ou la cuisson de multiples aliments.

Une fois terminé, laisser la plaque à frire refroidir avant de la laver. Laver à la main avec de l'eau chaude savonneuse. Ne pas laisser tremper. Sécher soigneusement. Éviter de mettre la plaque à frire au lave-vaisselle.

Il est possible de se procurer une plaque à frire en commandant en ligne à [Frigidaire.com](http://Frigidaire.com)

### Utiliser la plaque à frire :

Déposer la plaque à frire sur les grilles de brûleur de manière sûre. Préchauffer la plaque à frire pendant 5 minutes à feu moyen ou moyen doux. Le préchauffage lent assure une répartition homogène de la chaleur durant la cuisson. NE JAMAIS préchauffer la plaque à frire sur < Hi > (haute intensité). Cela peut déformer la plaque à frire et nuire à la répartition homogène de la chaleur.

## Mise en conserve à la maison

S'assurer de lire et de respecter l'ensemble des points suivants lors de la mise en conserve domestique avec votre appareil ménager. Vérifier auprès du site Web du ministère de l'Agriculture des États-Unis (USDA) et s'assurer de lire toutes les informations dont ils disposent et suivre leurs recommandations pour la mise en conserve à la maison.

- Utiliser uniquement une marmite de mise en conserve à fond complètement plat et sans crêtes qui rayonnent à partir du centre. Un fond plat répartit la chaleur de façon plus uniforme. Vérifier le fond de la marmite avec une équerre.
- Veiller à ce que le diamètre de la marmite de mise en conserve ne dépasse pas la largeur de la grille de plus de 25 mm (1 po).
- Il est conseillé d'utiliser une marmite de mise en conserve de plus petit diamètre sur un serpentin électrique et sur les surfaces de cuisson en vitrocéramique; veiller à bien centrer la marmite sur la grille du brûleur.
- Commencer par de l'eau chaude du robinet pour porter rapidement l'eau à ébullition.
- Utiliser d'abord le réglage le plus élevé pour porter l'eau à ébullition. Une fois l'ébullition atteinte, baisser le feu à son réglage le plus bas possible pour maintenir l'ébullition.
- Cuisiner uniquement des recettes éprouvées et suivre soigneusement les instructions. Les dernières informations sur la mise en conserve sont disponibles auprès du Cooperative Agricultural Extension Service américain ou chez le fabricant des pots de conserve.
- Il est préférable de mettre de petites quantités en conserve et de garder la charge réduite.
- Éviter de laisser le bac à eau ou l'autoclave de mise en conserve sur une chaleur intense pendant une période prolongée.

# 20 AVANT DE RÉGLER LES COMMANDES DE FOUR

## Emplacement de l'évent de four

Voir les événements de four ci-après. Quand le four est allumé, l'air chaud s'échappe par l'évent. Cette ventilation est nécessaire pour une circulation d'air adéquate dans le four et pour favoriser les résultats de cuisson. Éviter de bloquer l'évent. Ne jamais obstruer les ouvertures avec du papier aluminium ou tout autre matériau. De la vapeur ou de l'humidité peut se former près de l'évent du four. Cela est normal.

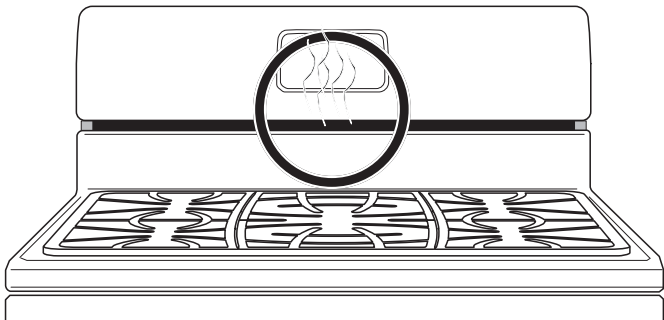


Figure 8: L'évent de four



### AVERTISSEMENT

Écrans de protection – éviter de recouvrir les parois du four, les grilles, la sole ou toute autre partie de la cuisinière de papier d'aluminium.. Cette action modifie la répartition de la chaleur, peut donner des résultats de cuisson médiocres et occasionner des dommages permanents à l'intérieur du four. Une mauvaise installation de ces revêtements peut occasionner un décharge électrique ou un incendie. La température du four pendant l'autonettoyage est assez chaude pour fondre le papier d'aluminium.



### ATTENTION

Toujours porter des mitaines ou se servir des poignées de cuisine pour utiliser le four. Au moment de la cuisson, l'intérieur et l'extérieur du four, les grilles et la table de cuisson deviennent très chauds; cela peut occasionner des brûlures. Remove all oven racks before starting a self clean cycle. If oven racks are left inside the oven during a cleaning cycle, the slide ability of the oven racks may be damaged and all of the oven racks will lose their shiny finish.

Enlever toutes les grilles et les échelles de support du four avant de lancer l'autonettoyage. Si les grilles sont laissées dans le four pendant un cycle de nettoyage, la chaleur peut détériorer la capacité de glisser des grilles et elles vont perdre leur finition brillante..

Pour éviter tout dommage, ne pas fermer la porte du four jusqu'à ce que toutes les grilles soient bien en place à l'intérieur du four.

## Genres de grille de four

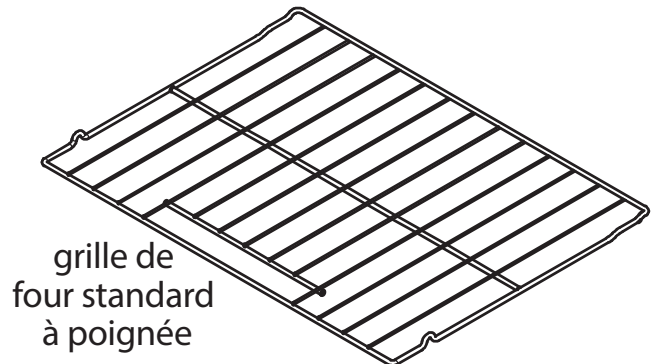


Figure 7: Types de grilles de four

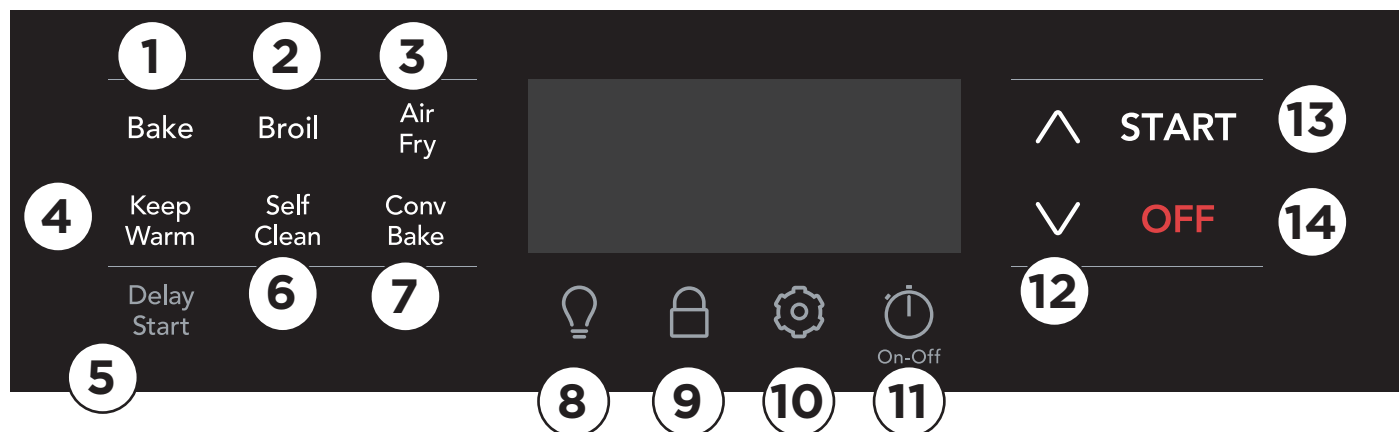
- **Grilles de four plates à poignée** utilisées pour tous les besoins de cuisson; elles sont placées dans la plupart des positions de grille du four.
- **La grille de four surbaissée** (certains modèles) procure une position abaissée supplémentaire comparée à une grille standard. Sa conception positionne le bas de la grille environ 1/2 grille plus basse qu'une grille standard; elle peut être utilisée dans la majorité des positions du four. Pour maximiser l'espace de cuisson, placer la grille de fond du four (surbaisée) dans la position la plus près de la sole du four pour cuire ou pour griller les grandes coupes de viande.

## Dépose, repose et agencement des grilles de four surbaissées ou plates

Toujours disposer les grilles lorsque le four est refroidi.

**Dépose** - tirer tout droit jusqu'à ce qu'elles atteignent la position d'arrêt. Soulever légèrement la grille par l'avant et tirer en glissant.

**Repose** - placer la grille sur les guides situés de part et d'autre des murs du four. Incliner légèrement la grille vers le haut et faire glisser vers le fond pour la remettre en place. S'assurer que les grilles sont de niveau avant d'utiliser le four.



- 1. La cuisson au four (Bake)** est destinée aux aliments délicats qui ont besoin de chaleur pour lever et passer au four en douceur.
- 2. Le gril (Broil)** permet de faire griller des aliments sous une chaleur directe et élevée.
- 3. La cuisson à convection (Conv Bake)** fait circuler la chaleur du four en continu pour la cuisson.
- 4. Maintenir au chaud (Keep Warm)** : sert à maintenir les aliments cuits à la température de service.
- 5. Le départ différé (Delay Start)** permet de mettre le four en marche après une période déterminée.
- 6. L'autonettoyage (Self Clean)** démarre un cycle d'autonettoyage.
- 7. Temps de cuisson (Cook Time)** règle le four pour qu'il fonctionne pendant un certain temps, puis s'éteint.
- 8. L'éclairage du four (Oven Light)** allume et éteint l'éclairage intérieur d'un simple toucher et s'allume automatiquement lorsque la porte du four est ouverte.
- 9. Le verrouillage (Lockout)** désactive le panneau de commande pour empêcher les pressions accidentelles sur les touches.
- 10. Réglages** est utilisé pour définir les préférences de l'utilisateur pour diverses fonctions de commande, notamment :
  - **CLoC** : réglez l'heure sur l'horloge.
  - **Heure** : réglez l'horloge en mode 12 ou 24 heures.
  - **Aud** : réglez le volume des touches de commande ou le fonctionnement en mode silencieux.
  - **F-C** : affichage des températures en Fahrenheit ou en Celsius.
  - **rSEt** : réinitialisez toutes les préférences de l'utilisateur aux réglages d'usine d'origine.
  - **uPo** : réglez les réglages de température du four.
  - **E-SA** : activez ou désactivez la fonction d'économie d'énergie de 12 heures.

- 11. Minuterie** sert à régler ou à annuler la minuterie.
- 12. Flèches vers le haut/bas** sont utilisées pour faire défiler jusqu'aux réglages de température et de durée.
- 13. Démarrer (START)** commence les fonctions de cuisson et règle l'horloge.
- 14. Arrêt (OFF)** désactive toutes les fonctions du four.

**Tableau 3 : Modes du four**

Caractéristique	Mode	Température/ durée minimum	Température/ durée maximale
Cuisson au four		77 °C (170 °F)	288 °C (550 °F)
Gril		Bas (Lo)	HAUT (Hi)
Cuisson à convection		77 °C (170 °F)	288 °C (550 °F)
Garder au chaud		60 °C (140 °F)	1 heure
Horloge	12 heures 24 heures	1:00 h 0:00 min	12 h 59 Min. 23 h 59 Min.
Minuterie marche-arrêt		1 min	11 h 59 Min.

Remarque : Une tonalité d'acceptation d'entrée (1 bip) retentit chaque fois qu'une touche est enfoncée (la touche de verrouillage du four est retardée de 3 secondes). Une tonalité d'erreur d'entrée (3 bips courts) retentit si la température ou la durée entrée est inférieure au minimum ou au-dessus des réglages maximums de la fonction.

# 22 RÉGLAGE DES COMMANDES DU FOUR


## Réglage de l'horloge

Il est recommandé de toujours régler l'horloge à la bonne heure avant d'utiliser l'appareil.



**Remarque :** Lorsque l'appareil est branché pour la première fois ou lorsque l'alimentation électrique de l'appareil a été interrompue, l'écran fera clignoter 12:00; dans ce cas, passez à l'étape 4 des instructions ci-dessous.

Pour régler l'horloge :


1. Appuyer .
2. Appuyez sur la **flèche vers le haut ou vers le bas** jusqu'à ce que « CLoC » s'affiche.
3. Appuyez sur **DÉMARRER/START**.
4. Appuyez sur la **flèche vers le haut ou vers le bas** jusqu'à ce que l'heure correcte s'affiche. Vous pouvez appuyer sur les **flèches vers le haut** ou vers le bas et les maintenir enfoncées pour modifier l'HEURE plus rapidement.
5. Appuyez sur **DÉMARRER/START**.

**REMARQUE :** L'horloge ne peut pas être modifiée lorsque le four est réglé pour la cuisson ou que l'autonettoyage est actif.

## Réglage du mode d'affichage 12 heures ou 24 heures (heure)

Le mode d'affichage de l'horloge vous permet de sélectionner les modes 12 h ou 24 h. Le mode d'affichage de l'horloge pré-réglé en usine est de 12 heures.

**Pour régler le mode d'affichage 12 heures ou 24 heures :**

1. Appuyer .
2. Appuyez sur la **flèche vers le haut ou vers le bas** jusqu'à ce que « Heure » (Hour) s'affiche.
3. Appuyez sur **DÉMARRER (START)**.
4. Appuyer sur les **flèches vers le haut ou vers le bas** pour basculer entre le réglage 12 h et 24 h.




5. Appuyez sur **DÉMARRER (START)** pour accepter le réglage d'horloge désiré.

L'affichage revient au menu des réglages. Après quelques secondes, il reviendra à l'heure du jour.

## Réglage d'un panneau de commande silencieux (Aud)

Lors de la sélection d'une fonction, une tonalité se fait entendre chaque fois qu'une touche est enfoncée. Si désiré, la commande peut être programmée pour un fonctionnement silencieux.

**Pour régler les commandes pour un fonctionnement silencieux :**

1. Appuyer .
2. Appuyez sur la **flèche vers le haut ou vers le bas** jusqu'à ce que « Aud » s'affiche, puis appuyez sur Démarrer (Start).



3. Appuyez sur la **flèche vers le haut** ou vers le bas pour basculer entre « Arrêt » (OFF) et « Marche » (on).



4. Appuyez sur **DÉMARRER (START)** pour accepter lorsque le réglage désiré est affiché.

L'affichage revient au menu des réglages. Après quelques secondes, il reviendra à l'heure du jour.

## Affichage de la température (F-C)

La commande électronique du four est réglée pour fonctionner en degrés Fahrenheit (°F) à l'usine. Vous pouvez le modifier pour qu'il fonctionne en Celsius (en °C). Le four peut être programmé pour n'importe quelle température entre 77 et 288 °C (170 et 550 °C).

**Pour changer la température à Celsius (°C) ou de °C à °F :**

1. Appuyer .
2. Appuyez sur la **flèche vers le haut ou vers le bas** jusqu'à ce que F-C apparaisse.



3. Appuyez sur **DÉMARRER (START)**.
4. Appuyer sur les flèches vers le haut et vers le bas pour basculer entre F et C.





- Appuyez sur **DÉMARRER (START)** pour accepter votre choix.

L'affichage revient au menu des réglages. Après quelques secondes, il reviendra à l'heure du jour.


## Réglages de la température du four (Adjust Oven Temperature, UPO)

Votre appareil a été étalonné et testé en usine pour vous assurer une température de cuisson précise. Lors des premières utilisations, conformez-vous scrupuleusement aux recommandations relatives à la durée et à la température de votre recette. Si vous pensez que le four est trop chaud ou trop froid pour les temps de cuisson de votre recette, vous pouvez régler la commande, afin que le four soit plus chaud ou plus froid que la température affichée.

Important : N'utilisez pas de thermomètres de four comme ceux que l'on trouve dans les épiceries pour vérifier les réglages de température à l'intérieur de votre four. Ces thermomètres de four peuvent varier de 20 à 40 degrés par rapport aux températures réelles.

La température du four peut être augmentée de jusqu'à +19 °C (+35 °F) ou diminuée de jusqu'à -19 °C (-35 °F) par rapport aux réglages étalonnés en usine.

### Pour augmenter ou diminuer la température du four de 20 °F :

- Appuyer .
- Appuyez sur la **flèche vers le haut ou vers le bas** jusqu'à ce que « UPO » (Réglages de la température du four) s'affiche.
- Appuyez sur **DÉMARRER (START)**.
- Appuyez sur la **flèche vers le haut ou vers le bas** jusqu'à ce que le degré température souhaité s'affiche

La température du four peut être augmentée de jusqu'à +19 °C (+35 °F) ou diminuée de jusqu'à -19 °C (-35 °F) par rapport aux réglages étalonnés en usine.

Le réglage de la température du four peut être effectué si la commande du four est réglée pour afficher les températures en °C (Celsius). Les réglages minimum et maximum pour la plage de Celsius vont de +19 °C à -19 °C.

- Appuyez sur **START** pour accepter la modification.

### Remarque importante :


- Les réglages de la température du four ne modifient pas les températures du gril (Broil), de l'autonettoyage (Self Clean) ou du maintien au chaud (Keep Warm).

## Restaurer les réglages d'usine (rSEt)

Votre appareil a été réglé avec des réglages de contrôle du four prédéterminés (par défaut). Au fil du temps, les utilisateurs peuvent avoir apporté des modifications à ces réglages. Les options suivantes peuvent avoir été modifiées depuis que l'appareil a été acheté :

- Mode d'affichage 12 ou 24 heures
- Mode de cuisson continue ou mode d'économie d'énergie 12 heures
- Commandes silencieuses ou sonores
- Affichage de la température du four (Fahrenheit ou Celsius)
- Réglages de la température du four (UPO)


### Pour rétablir les réglages par défaut du four :

- Appuyer .
- Appuyez sur la **flèche vers le haut ou vers le bas** jusqu'à ce que « rSEt » s'affiche.
- Appuyez sur la touche **DÉMARRER (START)** et maintenez-la enfoncée pendant trois secondes. La commande a été réinitialisée avec les réglages par défaut.

## Réglage de cuisson continue ou fonction d'économie d'énergie 12 heures energy saving, E-SA)

La commande du four est dotée d'une fonction d'économie d'énergie de 12 heures qui éteint le four s'il reste allumé pendant plus de 12 heures. La commande du four peut être programmée pour annuler cette fonction pour une cuisson continue.

### Pour modifier le réglage de cuisson continue :

- Appuyer .
- Appuyez sur la **flèche vers le haut ou vers le bas** jusqu'à ce que « E-SA » s'affiche.
- Appuyez sur **DÉMARRER (START)**.
- Appuyez sur les **flèches vers le haut ou vers le bas** pour basculer entre « 12Hr » et « Cont ».
- Appuyez sur **DÉMARRER (START)** pour accepter lorsque le réglage désiré est affiché.

# 24 RÉGLAGE DES COMMANDES DU FOUR

## Réglage de la minuterie :

La minuterie peut être réglée pour n'importe quelle durée de 1 minute à 11 heures et 59 minutes. La minuterie peut être utilisée seule ou lorsque vous utilisez l'une des autres fonctions du four. Si une autre fonction est active lorsque la minuterie est active, la minuterie s'affiche. Pour afficher des informations sur d'autres fonctions actives, appuyez sur la touche correspondant à cette fonction.



### Exemple : Réglage de la minuterie pour 15 minutes.

1. Appuyez sur la touche **Minuterie marche-arrêt** (Timer on-off) :



2. Appuyez sur la flèche **vers le haut ou vers le bas** jusqu'à ce que l'heure correcte s'affiche. Vous pouvez appuyer sur les **flèches vers le haut** ou vers le bas et les maintenir enfoncées pour modifier l'HEURE plus rapidement.



3. Appuyez sur la touche **Minuterie marche-arrêt**. La minuterie entamera le compte à rebours. Lorsque l'heure programmée se termine, l'écran affiche **Fin (End)**.



Pour éteindre la minuterie à tout moment, appuyez sur la touche **Minuterie marche-arrêt** (Timer on-off).



**REMARQUE :** La minuterie émettra trois bips et continuera à émettre trois bips toutes les minutes jusqu'à ce que vous appuyiez sur la touche **minuterie marche-arrêt (Timer on-off)**. La minuterie ne démarre pas et n'arrête pas le processus de cuisson.

## Utilisation de la lumière du four



L'éclairage intérieur du four s'allume automatiquement lorsque la porte du four est ouverte.

Appuyez sur la touche d'éclairage du four sur le panneau de commandes pour allumer et éteindre l'éclairage intérieur du four lorsque la porte du four est fermée.

**REMARQUE :** Pour de meilleurs résultats de cuisson, ne laissez pas la lumière du four allumée pendant la cuisson.

La lumière intérieure du four est située sur la paroi arrière supérieure droite de l'intérieur du four. Pour remplacer l'ampoule à l'intérieur du four, reportez-vous à la section « Remplacement de l'ampoule du four » dans la section Entretien et nettoyage.

## Verrouillage du four



La commande peut être programmée pour verrouiller les touches de commande du four et verrouiller la porte du four.

Le mode de verrouillage des commandes du four n'est pas autorisé pendant une fonction de cuisson active.

### Pour activer la fonction de verrouillage :

1. Appuyez sur la touche **de** verrouillage et maintenez-la enfoncée pendant 3 secondes.
2. Le mécanisme de verrouillage de la porte verrouillera la porte en 15 secondes environ. Ne tentez pas d'ouvrir la porte lorsque le mécanisme est actif.

### Pour annuler la fonction de verrouillage :

1. Appuyez sur la touche **de** verrouillage et maintenez-la enfoncée pendant 3 secondes.
2. Le mécanisme de verrouillage de la porte verrouillera la porte en 15 secondes environ. Ne tentez pas d'ouvrir la porte lorsque le mécanisme est actif.
3. Lorsque l'icône de verrouillage ne s'affiche plus, le clavier de commandes du four peut être utilisé.

**REMARQUE :** Si une touche de commande est enfoncée lorsque le verrouillage du four est activé, la commande émettra trois bips indiquant que l'action de la touche n'est pas disponible lorsque la fonction de verrouillage du four est activée.

## Réglage de la cuisson au four

Le four cuit avec la chaleur qui monte du fond du four. La chaleur et l'air circulent naturellement dans le four. Une tonalité de rappel retentit pour indiquer que la température de cuisson définie est atteinte et qu'il faut placer les aliments dans le four. Le ventilateur du four à convection se met en marche pendant le préchauffage, puis se mettra en marche et s'éteint au besoin pendant la cuisson.

La cuisson au four peut être réglée pour une température comprise entre 77 °C (170 °F) et 288 °C (550 °F).



### MISE EN GARDE

Utilisez toujours des poignées ou des gants de cuisine lorsque vous utilisez le four. Lors de la cuisson, l'intérieur du four, les grilles et la table de cuisson deviennent très chauds, ce qui peut causer des brûlures.

### Conseils de cuisson

- Préchauffez complètement le four avant de cuire des aliments comme des biscuits, des gâteaux, des biscuits et des pains.
- Utilisez la fonction de cuisson à convection pour obtenir de meilleurs résultats lorsque vous faites cuire des biscuits ou des gâteaux sur plusieurs grilles.
- La cuisson au four (Bake) est la meilleure fonction pour cuire des gâteaux.
- Pour obtenir de meilleurs résultats lorsque vous faites cuire des gâteaux à deux étages en utilisant deux grilles de four, placez les grilles en positions 2 et 5 et placez les moules comme indiqué sur la figure 27.
- Lorsque vous utilisez une seule grille pour cuire des biscuits, des gâteaux ou des muffins, utilisez la position 2 de la grille.
- Laissez un espace d'au moins 5 cm (2 po) entre les plats de cuisson pour assurer une bonne circulation de l'air.
- Les plats de cuisson foncés ou émaillés absorbent plus de chaleur que les plats de cuisson brillants, ce qui donne des aliments foncés ou trop dorés. Il peut être nécessaire de réduire la température du four ou le temps de cuisson pour éviter de trop brunir certains aliments.
- Les moules foncés sont recommandés pour les tartes, les moules brillants sont recommandés pour les gâteaux, les biscuits et les muffins.
- N'ouvrez pas la porte du four souvent. L'ouverture de la porte réduit la température du four et peut augmenter le temps de cuisson.
- Ne laissez pas la lumière du four allumée pendant la cuisson.



### IMPORTANT

Le four ne fera pas cuire plus de 12 heures. Pour une période de cuisson plus longue, consultez la section « Changement entre un réglage continu ou une économie d'énergie de 12 heures » à la page 21 pour obtenir des renseignements détaillés.

#### Pour régler la température du four (par défaut) à 350 °F :

1. Appuyez sur **Cuisson au four (Bake) 350°** s'affiche.

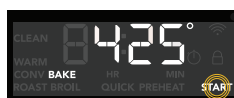


2. Appuyez sur **DÉMARRER (START)**.

Pour annuler la cuisson à tout moment, appuyez sur **ARRÊT (OFF)**.

#### Pour régler la température du four à 425 °F lorsque le four est en marche :

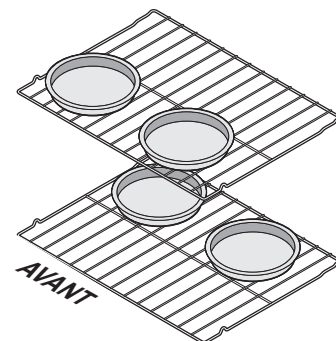
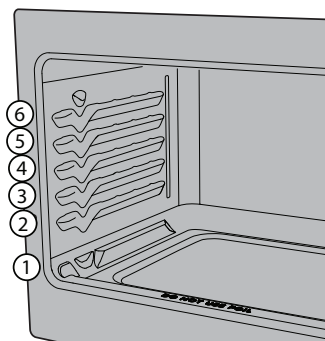
1. Appuyez sur la flèche **vers** le haut pour faire défiler jusqu'à la nouvelle température de **425°F** et relâchez la touche fléchée.



2. Appuyez sur **DÉMARRER (START)**.

**REMARQUE :** Si vous n'appuyez pas sur **DÉMARRER (START)**, la température revient au réglage précédent.

Pour annuler la cuisson à tout moment, appuyez sur **ARRÊT (OFF)**.



# 26 RÉGLAGE DES COMMANDES DU FOUR

## Cuisson à convection

La cuisson à convection utilise un ventilateur pour faire circuler la chaleur du four de manière uniforme dans le four. Cette meilleure répartition de la chaleur permet d'obtenir des résultats de cuisson et de coloration uniformes. L'air chauffé circule autour des aliments de tous les côtés. Le ventilateur du four à convection s'allumera dans le préchauffage et restera allumé pendant la cuisson.

La cuisson à convection peut être réglée pour une température comprise entre 77 °C (170 °F) 288 °C et (550 °F).

### Les avantages de la cuisson à convection comprennent :

- Cuisson multigrilles.
- Les aliments peuvent cuire plus rapidement, ce qui permet d'économiser du temps et de l'énergie.

### Conseils de cuisson

- Préchauffez complètement le four avant de cuire des aliments comme des biscuits, des gâteaux, des biscuits et des pains.
- Lorsque vous utilisez deux grilles de four, placez les plats de cuisson aux positions 2 et 5 et placez-les comme indiqué à la figure 29.
- Lorsque vous utilisez une seule grille pour cuire des biscuits, des gâteaux ou des muffins, utilisez la position 2 de la grille.
- Les plats de cuisson foncés ou émoussés absorbent plus de chaleur que les plats de cuisson brillants, ce qui donne des aliments foncés ou trop dorés. Il peut être nécessaire de réduire la température du four ou le temps de cuisson pour éviter de trop brunir certains aliments.
- Les moules foncés sont recommandés pour les tartes, les moules brillants sont recommandés pour les gâteaux, les biscuits et les muffins.
- N'ouvrez pas la porte du four souvent. L'ouverture de la porte réduit la température du four et peut augmenter le temps de cuisson.
- Ne laissez pas la lumière du four allumée pendant la cuisson.

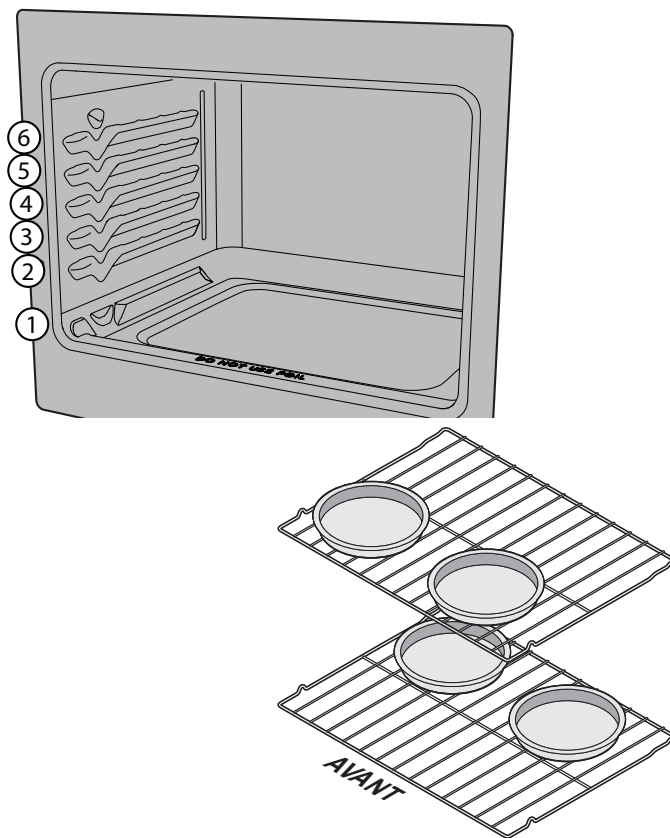
Pour régler la cuisson à convection à la température par défaut du four de 163 °C (325 °F) ::

1. Appuyez sur **Cuisson à convection (Conv Bake)**
2. Appuyez sur Cuisson au four (Bake) et 350° s'affichent.



3. Appuyez sur **DÉMARRER (START)**. Le ventilateur du four à convection s'allume dans quelques minutes et reste allumé pendant la cuisson.

Pour annuler la cuisson à tout moment, appuyez sur **ARRÊT (OFF)**.



## MISE EN GARDE

Utilisez toujours des poignées ou des gants de cuisine lorsque vous utilisez le four. Lors de la cuisson, l'intérieur du four, les grilles et la table de cuisson deviennent très chauds, ce qui peut causer des brûlures.

## Réglage du grill

Utilisez le grill pour cuire des viandes qui nécessitent une exposition directe à la chaleur rayonnante pour obtenir un brunissement optimal. La cuisson au grill peut produire de la fumée.

Si la fumée est excessive, placez les aliments plus loin des flammes.

Le grill a des réglages HI (élevé) et LO (bas).



### AVERTISSEMENT

En cas de feu de four, laissez la porte du four fermée et éteignez le four. Si le feu persiste, utilisez un extincteur. Ne mettez pas d'eau ou de farine sur l'incendie. La farine peut être explosive et l'eau peut provoquer la propagation d'un incendie de graisse et causer des blessures.



### MISE EN GARDE

Utilisez toujours des poignées ou des gants de cuisine lorsque vous utilisez le four. Lors de la cuisson, l'intérieur du four, les grilles et la table de cuisson deviennent très chauds, ce qui peut causer des brûlures.



### IMPORTANT

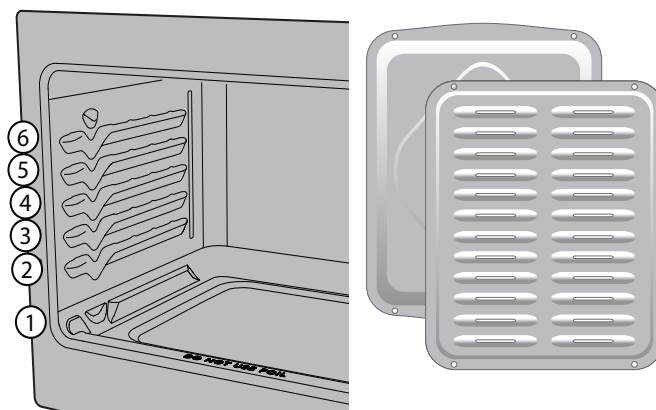
Les lèchefrites pour grill et leur grille permettent à la graisse de s'écouler loin de la chaleur élevée du grill. N'utilisez pas la lèchefrite sans la grille. Ne couvrez pas la grille avec du papier d'aluminium, car la graisse exposée pourrait s'enflammer.

**OUVREZ LA PORTE POUR ARRÊTER LE GRIL :** Si la porte du four est laissée ouverte à Gril (Broil), l'élément s'éteindra après 30 secondes. L'élément se rallume une fois la porte fermée et la fonction de grill (broil) continue. Si la porte du four reste ouverte pendant la cuisson au grill pendant plus de 3 minutes, une alarme retentit pour avertir l'utilisateur de fermer la porte du four.

### Pour régler le grill :

1. Osez les grilles du four lorsqu'elles sont froides.
2. Placez le plat de cuisson dans le four
3. Appuyez sur **Gril (Broil)**. « ÉLEVÉ » (HI) s'affichera à l'écran.
4. Appuyez sur les **flèches vers le haut** ou vers le bas pour sélectionner **HI (ÉLEVÉ)** ou **Lo (BAS)**.
5. Appuyez sur **DÉMARRER (START)**.
6. Pour des résultats optimaux, préchauffez le grill pendant 2 minutes avant d'ajouter les aliments. Fermez la porte du four pour **griller**.
7. Faire griller d'un côté jusqu'à ce que les aliments soient dorés; retourner et faire griller l'autre côté jusqu'à ce que vous soyez satisfait.
8. Lorsque la cuisson au grill est terminée, appuyez sur **ARRÊT (OFF)**.

Pour annuler la cuisson à tout moment, appuyez sur ARRÊT (OFF).



### REMARQUE

Si une lèchefrite et une grille ne sont pas fournies avec cet appareil, vous pouvez les acheter auprès de [www.frigidaire.com](http://www.frigidaire.com).

# 28 RÉGLAGE DES COMMANDES DU FOUR

## Remarque importante :

- Placez toujours les grilles lorsque le four est froid.
- Fermez la porte du four pour griller. Si le gril est en marche avec la porte ouverte, une alarme retentit vous avertissant de fermer la porte. Si elle est laissée ouverte, l'élément de gril s'éteindra.
- Pour de meilleurs résultats lors de la cuisson au gril, utilisez une lèchefrite avec une grille de lèchefrite conçue pour égoutter le gras des aliments, éviter les éclaboussures et réduire la fumée.
- Retirez toujours la grille du four jusqu'à la position d'arrêt avant de retourner ou de retirer les aliments.
- Si une lèchefrite et une grille ne sont pas fournies avec cet appareil, elles peuvent être achetées auprès de [www.frigidaire.com](http://www.frigidaire.com).

**Tableau 4 : Recommandations pour le gril**

Nourriture	Position de la grille	Température	Temps de cuisson en minutes		Température interne	Degré de cuisson
			1er côté	2e côté		
Bifteck de 2,5 cm (1 po) d'épaisseur	6	HAUT (Hi)	5	4	60 °C (140 °F)	Bleu*
Bifteck de 2,5 cm (1 po) d'épaisseur	5 ou 6	HAUT (Hi)	6	5	63 °C (145 °F)	À point
Bifteck de 2,5 cm (1 po) d'épaisseur	5 ou 6	HAUT (Hi)	7	6	77 °C (170 °F)	Bien cuit
Côtelettes de porc 1,9 cm (3/4 po) d'épaisseur	5	Bas (Lo)	12	10	63 °C (145 °F)	Bien cuit
Poulet - Avec os	4	Bas (Lo)	20	10	74 °C (165 °F)	Bien cuit
Poulet désossé	5	Bas (Lo)	8	6	74 °C (165 °F)	Bien cuit
Poisson	5	HAUT (Hi)	comme indiqué		63 °C (145 °F)	Bien cuit
Crevettes	4	HAUT (Hi)			63 °C (145 °F)	Bien cuit
Hamburger de 1 po d'épaisseur	4	HAUT (Hi)	4	4	63 °C (145 °F)	Bleu*
Hamburger de 1 po d'épaisseur	4	HAUT (Hi)	6	5	63 °C (145 °F)	À point
Hamburger de 1 po d'épaisseur	4	HAUT (Hi)	7	6	71 °C (160 °F)	Bien cuit

\* Selon le département de l'Agriculture des États-Unis : « Le bœuf frais saignant est populaire, mais il est important de savoir que de le faire cuire à seulement 60 °C (140 °F) implique que certains organismes pouvant causer des empoisonnements alimentaires peuvent survivre. » (Source : Safe Food Book, Your Kitchen Guide) La température la plus basse recommandée par le département de l'Agriculture des États-Unis est de 63 °C (145 °F) pour du bœuf frais mi-saignant. Pour du bœuf bien cuit, 77 °C (170 °F).

REMARQUE : La cuisson au gril est une cuisson à la chaleur directe qui produit de la fumée. Si la fumée est excessive, éloignez les aliments de l'élément chauffant. Surveillez toujours les aliments avec soin pour éviter de les brûler.

## Friture à air chaud

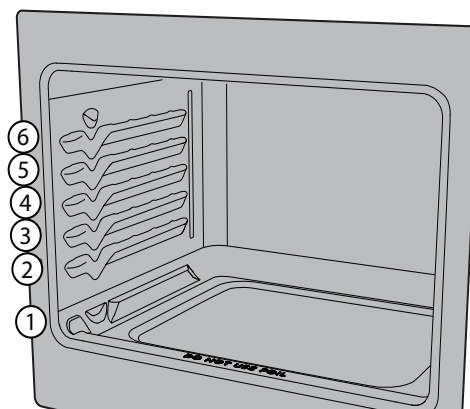
La fonction Friture à air chaud est optimale pour la cuisson sur une seule grille des aliments emballés et prêts à servir. Elle fonctionne bien avec la plupart des recettes et peut être programmée pour des températures comprises entre 77 °C et 288 °C (170 °F et 550 °F). Suivez la recette ou les instructions sur l'emballage pour connaître les quantités liées à la préparation des aliments, la durée et la température.

### Important :

- Pour de meilleurs résultats, les aliments doivent être disposés en une seule couche sur le plateau de friture et placés sur la position 3 de la grille.
- Lorsque vous utilisez le plateau de friture à air chaud, placez une grande plaque à biscuits sur la position 1 de la grille pour récupérer les miettes ou les gouttes.
- Laissez la lumière du four éteinte lors de la cuisson.
- Les aliments peuvent devoir être retirés tôt et doivent être vérifiés au temps de cuisson minimum recommandé. Cependant, les aliments denses congelés et les articles dont le temps de cuisson est inférieur à 15 minutes peuvent nécessiter plus de temps.

### Pour régler la friture à air chaud :

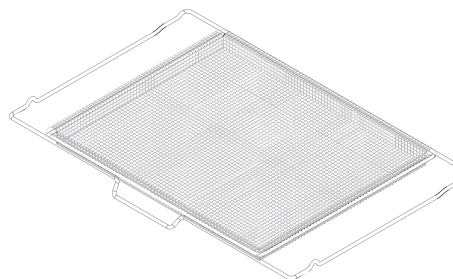
1. Disposez les aliments sur la grille comme suggéré.
2. Appuyez sur **Air Fry** (friture à air chaud).
3. Pour ajuster la température suggérée pour un aliment particulier, utilisez les flèches haut et bas.
4. Appuyez sur **START** (marche). Lorsque la tonalité de préchauffage retentit, placez le plateau sur la position de grille 3 et, pour éviter la fumée, placez une plaque à pâtisserie à la position de grille 1 sous le plateau de friture à air chaud.
5. Appuyez sur **ON/OFF (MARCHE/ARRÊT)** pour l'affichage de l'heure du jour.



Frigidaire propose un plateau à frites en option, spécialement conçu pour offrir des performances supérieures.

### Quelques avantages du plateau de friture à air chaud :

- Plateau optimisé pour l'espace du four.
- Loge dans le lave-vaisselle, ce qui facilite le nettoyage.
- Rendement supérieur aux modèles de comptoir.
- Permet d'avoir plus d'espace sur le comptoir.
- Compatible avec les fours à convection.
- Le plateau Air Fry en option peut être acheté sur [www.frigidaire.com](http://www.frigidaire.com).



**Table 3: Tableau de friture à air chaud**

Type d'aliments	Quantité (g/oz)	Température	Cuisson minutée (min)
Bouchées de pomme de terre surgelées	1 361 g / 48 oz	232 °C / 450 °F	29 à 33
Frites dorées surgelées	1 361 g / 48 oz	218 °C / 425 °F	25 à 35
Pépites de poulet surgelées	1 361 g / 48 oz	205 °C / 400 °F	13 à 15
Lanières de poulet croustillantes surgelées	1 361 g / 48 oz	205 °C / 400 °F	20 à 22
Ailes de poulet épicées non désossées surgelées	1 361 g / 48 oz	232 °C / 450 °F	25 à 28
Ailes de poulet surgelées	1 361 g / 48 oz	190 °C / 375 °F	60 à 65
Ailes de poulet fraîches	1 361 g / 48 oz	232 °C / 450 °F	30 à 40

# 30 RÉGLAGE DES COMMANDES DU FOUR

## Autonettoyage

Un four autonettoyant se nettoie de lui-même à des températures élevées (bien supérieures aux températures de cuisson normales), éliminant complètement les salissures ou les réduits en une fine poudre de cendres que vous pouvez essuyer ensuite avec un chiffon humide.

Un cycle d'autonettoyage dure 3 heures.

Avant de commencer un cycle d'autonettoyage, assurez-vous de lire toutes les remarques importantes et les mises en garde qui suivent.

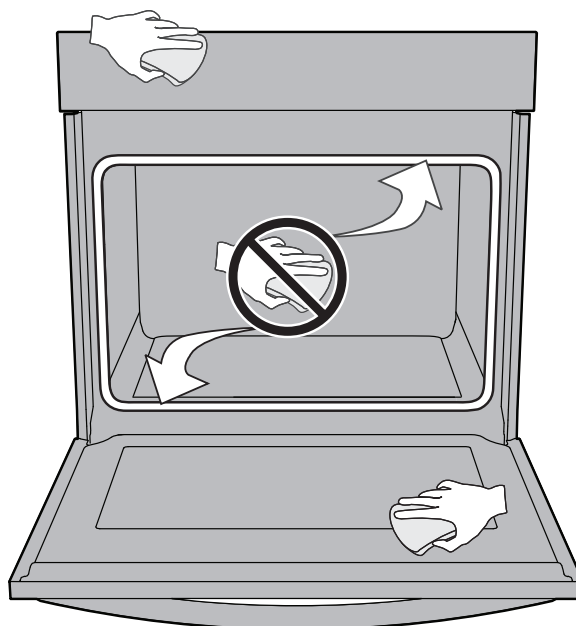
## MISE EN GARDE

- Ne laissez pas de jeunes enfants sans surveillance près de l'appareil. Pendant le cycle d'autonettoyage, l'extérieur du four peut devenir très chaud et causer des brûlures lorsque touché.
- Ne recouvrez pas les parois, les grilles, la sole du four ou toute autre partie de la cuisinière avec du papier d'aluminium. En fondant à l'intérieur du four, le papier d'aluminium endommagerait de façon permanente l'intérieur du four et empêcherait une bonne répartition de la chaleur.
- Ne tentez pas d'ouvrir la porte du four par la force. Vous pourriez endommager le système de verrouillage automatique de la porte. Faites attention lorsque vous ouvrez la porte du four à la fin du cycle d'autonettoyage. La cuisinière peut être encore très chaude et causer des brûlures. Pour éviter de vous brûler, tenez-vous sur le côté du four lorsque vous ouvrez la porte pour permettre à la vapeur ou à l'air chaud de s'échapper.
- Certains oiseaux de compagnie sont extrêmement sensibles aux vapeurs dégagées pendant le cycle d'autonettoyage des fours. Déplacez les oiseaux dans une autre pièce bien ventilée.

## Remarque importante :

- Retirez toutes les grilles et tous les articles se trouvant dans le four pour éviter de les endommager. Si vous ne retirez pas les grilles, elles peuvent se décolorer.
- Retirez tous les articles du four et de la table de cuisson, y compris les casseroles, les ustensiles et le papier d'aluminium. Le papier d'aluminium ne résistera pas aux températures élevées d'un cycle d'autonettoyage et fondra.

- Ne vaporisez pas de nettoyants pour four ou de revêtement de protection pour four dans ou autour d'une partie quelconque de l'intérieur du four. Nettoyez toute saleté sur le cadre de la porte du four, la doublure de la porte à l'extérieur du joint de la porte du four et la petite surface au centre avant de la sole du four (Figure 35). Ces zones chauffent suffisamment que la saleté y brûle. Nettoyer avec de l'eau et du savon avant de lancer l'autonettoyage.
- Éliminez tout résidu excessif. Tout résidu sur la sole du four doit être essuyé et nettoyé avant de commencer un cycle d'autonettoyage. Pour nettoyer, utilisez un chiffon trempé dans une solution d'eau chaude et de savon. Les résidus d'aliments importants peuvent produire de la fumée ou s'enflammer s'ils sont soumis à de hautes températures.
- Ne laissez pas de résidus d'aliments à haute teneur en sucre ou en acide (comme lait, tomates, choucroute, jus de fruits ou garniture pour tarte) sur les surfaces en porcelaine, car cela risque de laisser des taches ternes, même après le nettoyage.
- Ne nettoyez pas le joint de la porte du four. Le matériau tissé dans le joint est essentiel à la bonne étanchéité du four. Veillez à ne pas frotter, endommager ou retirer le joint de la porte du four. Vous risqueriez d'endommager le joint de la porte et de diminuer ainsi l'efficacité du four.





- Vous devez bien aérer la cuisine en ouvrant une fenêtre ou en utilisant un ventilateur ou une hotte durant le premier cycle d'autonettoyage. Cela aidera à éliminer les odeurs normales.
- N'essayez pas d'ouvrir la porte du four lorsque le voyant OVEN LOCK (VERROUILLAGE DU FOUR). Il faut environ 15 secondes pour que le mécanisme de verrouillage automatique de la porte verrouille ou déverrouille complètement la porte du four.
- Lorsque le temps de nettoyage est écoulé, la porte du four reste verrouillée jusqu'à ce que la cuisinière ait suffisamment refroidi. En plus du temps de nettoyage programmé, vous devez prévoir environ une heure supplémentaire pour que le four refroidisse avant de pouvoir ouvrir la porte du four.

## Réglage de l'autonettoyage

### Pour régler l'autonettoyage :

Vérifiez que le four est vide et que toutes les grilles ont été retirées. Retirez tous les éléments du four. Assurez-vous que la porte du four est complètement fermée.

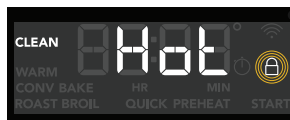
1. Appuyez sur **Autonettoyage Self Clean**. L'avertissement de retrait **des GRILLES** clignotera à l'écran pour vous rappeler que les grilles du four doivent être retirées avant un autonettoyage. Le temps de nettoyage par défaut de 3 heures s'affiche.



2. Appuyez sur **DÉMARRER (START)** pour activer l'autonettoyage.
3. L'avertissement **des GRILLES** se terminera et l'autonettoyage commencera. Le verrou motorisé de la porte commencera à verrouiller la porte du four. N'ouvrez pas la porte du four lorsque le moteur de verrouillage est en marche ou lorsque des indicateurs ou des messages de verrouillage sont affichés. La porte du four sera complètement verrouillée après environ 15 secondes.
  - Une fois la porte du four verrouillée, **NETTOYAGE (CLEAN)** s'affiche pour indiquer que l'autonettoyage a commencé.
  - Ne tentez pas d'ouvrir la porte du four par la force lorsqu'un cycle d'autonettoyage est en cours. Vous risqueriez d'endommager son

système de verrouillage automatique.

- Soyez prudent lorsque vous ouvrez la porte du four après la fin du cycle d'autonettoyage; le four peut être encore très chaud.
4. Lorsque l'autonettoyage est terminé : Le message **NETTOYAGE (CLEAN)** s'éteindra et sera remplacé par **Chaud (Hot) s'affichera dans la fenêtre.**



5. Dès que le four s'est refroidi (environ une heure) et que **Chaud (Hot)** n'est plus affiché, vous pouvez ouvrir la porte du four.

**MISE EN GARDE** Pour éviter les brûlures, faites preuve de prudence lorsque vous ouvrez la porte du four après le cycle d'autonettoyage. Tenez-vous sur le côté du four lorsque vous ouvrez la porte pour permettre à la vapeur de et à l'air s'échapper.

Lorsque l'intérieur du four s'est complètement refroidi, essuyez tous les résidus ou les cendres à l'aide d'un chiffon humide ou d'un essuie-tout.

### Maintien au chaud (Keep Warm)

ne doit être utilisée qu'avec des aliments qui sont déjà à une température de service. Le maintien au chaud gardera les aliments au chaud et prêts à servir à 140° F (60°C). Au besoin, positionnez les grilles et placez les aliments cuits dans le four.

#### Pour régler le maintien au chaud :

1. Appuyez sur **Garder au chaud (Keep Warm)** (Si aucune autre touche n'est touchée dans les 25 secondes, la demande de Garder au chaud (Keep Warm) disparaîtra.)



2. Appuyez sur **DÉMARRER (START)**. La fonction Garder au chaud (Keep Warm s'allume automatiquement et reste allumé pendant 1 heure ou jusqu'à ce qu'elle soit annulée.

Pour désactiver le maintien au chaud à tout moment, appuyez sur **OFF (ARRÊT)**.

### Départ différé (Delay Start)

La fonction Départ différé (Delay start) permet une mise en marche différée uniquement pour les fonctions de cuisson au four, cuisson à convection, et autonettoyage. Avant de régler le démarrage différé, assurez-vous que l'heure est réglée correctement. Le délai maximum pour le démarrage différé est d'une heure.

#### Pour régler le départ différé :

1. Choisissez Cuisson au four (Bake) et réglez la température.
2. Appuyez sur **mise en marche différée (Delay Start)** L'affichage indique une durée de 0:00 (0 heure et 00 minutes).
3. Appuyez sur les flèches vers **le haut ou vers le bas** jusqu'à ce que le délai désiré s'affiche. Vous pouvez appuyer sur les **flèches** vers le **haut** ou vers le **bas** et les maintenir enfoncées pour modifier l'HEURE plus rapidement.
4. Appuyez sur **DÉMARRER (START)**. Le compte à rebours commencera.
5. Lorsque le temps est écoulé, la fonction de cuisson choisie démarre. Si un temps de cuisson a été réglé, le temps de cuisson restant s'affichera.

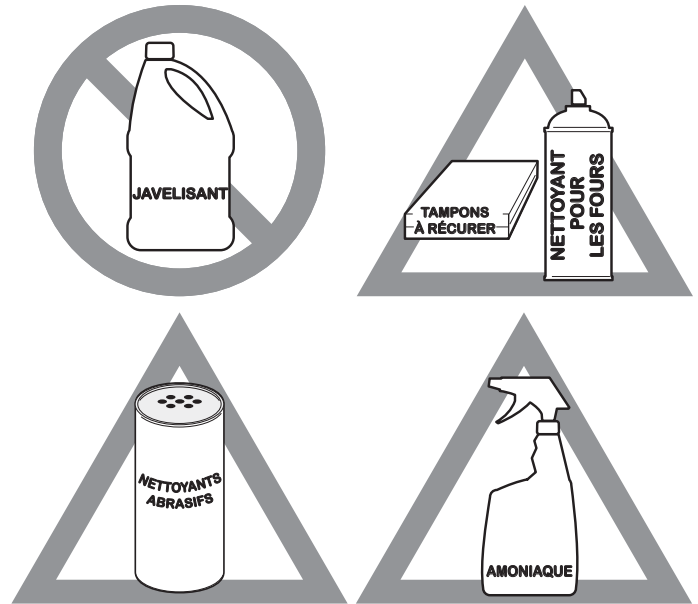
Pour arrêter la minuterie de Départ différé (Delay start) à tout moment, appuyez sur **ARRÊT (OFF)**.

Nettoyer les déversements et les salissures tenaces dès que possible. Un nettoyage régulier permet de réduire les grands travaux plus tard.

## ATTENTION

Avant de nettoyer toute partie du four, s'assurer que toutes les commandes sont désactivées et que le four est refroidi.

Si l'ammoniaque ou des produits nettoyants pour appareils électroménagers sont utilisés, ils doivent être essuyés et l'appareil doit être soigneusement rincé avant utilisation. Suivre les consignes du fabricant et assurer une ventilation adéquate.



**Figure 9: Utiliser les produits nettoyants avec prudence**

De zone ou de surface	Recommandation de nettoyage
Aluminium et vinyle	En utilisant un chiffon doux, nettoyer avec de l'eau et un détergent à vaisselle doux ou une solution à base de 50 % de vinaigre et d'eau. Rincer à l'eau claire et sécher avec un chiffon propre.
Boutons de commande peints ou en plastique Composants peints Garnitures décoratives peintes	En utilisant un chiffon doux, nettoyer avec de l'eau et un détergent à vaisselle doux ou une solution à base de 50 % de vinaigre et d'eau. Rincer à l'eau claire et sécher avec un chiffon propre. Les nettoyants pour vitre peuvent être utilisés, mais ne pas appliquer directement sur la surface; vaporiser sur un chiffon humide et essuyer.
Tableau de commande	En utilisant un chiffon doux, nettoyer avec de l'eau et un détergent à vaisselle doux ou une solution à base de 50 % de vinaigre et d'eau. Ne pas vaporiser de liquide directement sur le tableau de commande et sur la zone d'affichage du four. Ne pas utiliser de grandes quantités d'eau sur le tableau de commande - l'excès d'eau sur la zone de contrôle peut endommager l'appareil. Ne pas utiliser d'autres détergents liquides, de nettoyants abrasifs, tampons à récurer ou des serviettes en papier; ils risquent d'endommager le fini.
Boutons de commande	En utilisant un chiffon doux, nettoyer avec de l'eau et un détergent à vaisselle doux ou une solution à base de 50 % de vinaigre et d'eau. Pour retirer les boutons de commande, tourner en position < OFF > (arrêt); saisir fermement et tirer tout droit hors de l'arbre. Pour replacer les boutons après nettoyage, aligner les marques OFF et pousser le bouton en place.
Acier inoxydable	En utilisant un chiffon doux, nettoyer avec de l'eau et un détergent à vaisselle doux ou une solution à base de 50 % de vinaigre et d'eau. Rincer à l'eau claire et sécher avec un chiffon propre. Ne pas utiliser de nettoyant contenant des abrasifs, des chlorures, du chlore ou de l'ammoniaque.
Acier inoxydable Smudge ProofMC Acier inoxydable noir	En utilisant un chiffon doux, nettoyer avec de l'eau et un détergent à vaisselle doux ou une solution à base de 50 % de vinaigre et d'eau. Rincer à l'eau claire et sécher avec un chiffon propre. Ne pas utiliser de nettoyant pour électroménagers, nettoyant pour l'acier inoxydable ou de nettoyants contenant des abrasifs, des chlorures, du chlore ou de l'ammoniaque. Ces produits peuvent endommager la finition.

# 34 ENTRETIEN ET NETTOYAGE

De zone ou de surface	Recommandation de nettoyage
<p>Lèchefrites et grilles en porcelaine émaillée</p> <p>Revêtement de porte en porcelaine</p> <p>Composants en porcelaine</p>	<p>Rincer à l'eau claire avec un linge doux. Un nettoyage délicat avec un tampon à récurer savonneux supprime la plupart des taches. Rincer avec une solution à base de 50 % d'eau claire et d'ammoniaque. Le cas échéant, recouvrir les taches tenaces d'un essuie-tout trempé dans l'ammoniaque pendant 30 à 40 minutes. Rincer et sécher avec un chiffon propre. Essuyer tous les nettoyants; la porcelaine peut être endommagée lors de la prochaine cuisson. Ne pas laisser des aliments à forte teneur en sucre ou en acides (comme le lait, tomates, choucroute, jus de fruits ou de la garniture pour tarte) adhérer à la porcelaine. Ils laissent souvent une tache, même après le nettoyage.</p>
<p>Nettoyage à la main de l'intérieur du four</p>	<p>La cavité du four est revêtue de porcelaine; elle peut être nettoyée avec un nettoyant pour les fours. Respecter toutes les directives du fabricant. Éliminer tout résidu de produits nettoyants une fois le four nettoyé; la porcelaine peut être endommagée pendant les cuissons ultérieures. Ne pas pulvériser de nettoyant pour les fours sur les commandes électriques ou les interrupteurs. Éviter de pulvériser du nettoyant pour les fours sur la sonde et ne pas les laisser s'y accumuler. Ne pas pulvériser de produit nettoyant sur la garniture de porte, le joint de porte, les glissières pour tiroir en plastique, les poignées ou toute surface extérieure de l'électroménager.</p>
<p>Four autonettoyant</p>	<p>Avant de programmer un cycle d'autonettoyage, nettoyer toute la saleté du cadre du four, de la garniture de porte à l'extérieur du joint de porte et de la petite zone au centre avant de la sole du four. "Autonettoyage" on page 30.</p>
<p>Porte du four</p>	<p>Avec un chiffon doux, nettoyer à l'eau et un détergent à vaisselle doux ou une solution à base de 50 % de vinaigre et d'eau; nettoyer le dessus, les côtés et le devant de la porte du four. Bien rincer. Utiliser un nettoyant pour vitre à l'extérieur de la porte. Utiliser un nettoyant ou un poli pour surface de cuisson en céramique à l'intérieur de la porte. Ne pas immerger la porte dans l'eau. Ne pas pulvériser de nettoyant pour vitre ou permettre à l'eau de pénétrer à l'intérieur de la porte. Ne pas utiliser de produits à nettoyer les fours, de poudre à récurer ou de produits de nettoyage abrasifs sur l'extérieur de la porte du four.</p> <p>Ne pas nettoyer le joint de porte du four. Le joint de la porte est fabriqué de matériel tissé; il est essentiel à une bonne étanchéité. Ne pas frotter, endommager ou arracher le joint de porte du four.</p>
<p>Brûleurs de surface de cuisson</p>	<p>Voir "Nettoyage des brûleurs de surface" on page 35.</p>
<p>Grilles de brûleurs de surface de cuisson</p> <p>Capuchons de brûleur de surface de cuisson</p>	<p>Utiliser un tampon à récurer en plastique non abrasif et un nettoyant abrasif doux. Ne pas laisser des aliments à forte teneur en sucre ou en acides (comme le lait, les tomates, la choucroute, les jus de fruits ou de la garniture pour tarte) adhérer à la porcelaine. Ils laissent souvent une tache, même après le nettoyage. Nettoyer ces déversements dès que la surface est assez refroidie. Sécher soigneusement immédiatement après le nettoyage.</p>

## Nettoyage des brûleurs de surface

Afin d'éviter les brûlures, ne pas tenter d'effectuer l'une ou l'autre des procédures de nettoyage décrites ci-dessous avant d'éteindre tous les brûleurs de surface et les laisser refroidir.

Tout ajout, toute modification ou toute conversion requise par l'électroménager dans le but de répondre aux exigences de l'application doit être effectué par un organisme qualifié. Nettoyer régulièrement la surface de cuisson. Rincer avec un chiffon propre et humide et essuyer. Garder les orifices d'allumage des têtes de brûleur propres permet d'éviter les mauvais allumages et les flammes inadéquates.

Pour nettoyer les zones de cuisson en retrait et profilées:

- Si un déversement se produit sur ou dans la partie en retrait ou profilée, éponger avec un chiffon absorbant.
- Rincer avec un chiffon propre et humide et essuyer.



### ATTENTION

Pour éviter toute brûlure, ne pas tenter d'allumer les brûleurs de surface sans leurs capuchons.

Ne pas utiliser de nettoyant pour les fours en aérosol sur la surface de cuisson.

#### Pour nettoyer les têtes de brûleur :

1. Retirer le capuchon et la tête de brûleur (voir Figure 11). Nettoyer à l'eau chaude savonneuse et sécher soigneusement.
2. Pour les aliments brûlés et les renversements séchés, appliquer de l'eau savonneuse et chaude sur la tête de brûleur. Laisser la crasse s'amollir.
3. Utiliser une vieille brosse à dents pour nettoyer la tête de brûleur au complet.
4. Nettoyer les orifices de flamme à l'aide d'une aiguille ou d'un fil métallique de petit calibre.
5. Nettoyer la tête de brûleur avec un chiffon doux et propre, une éponge ou un tampon nettoyeur non abrasif.
6. Avant de réutiliser la surface de cuisson, s'assurer que la tête du brûleur est bien en place et que le capuchon du brûleur est bien en place sur la tête de brûleur. Remuer le capuchon pour en vérifier le positionnement; ni le capuchon ni la tête ne doivent glisser hors de leur position (voir "Montage des capuchons de brûleur" on page 14).

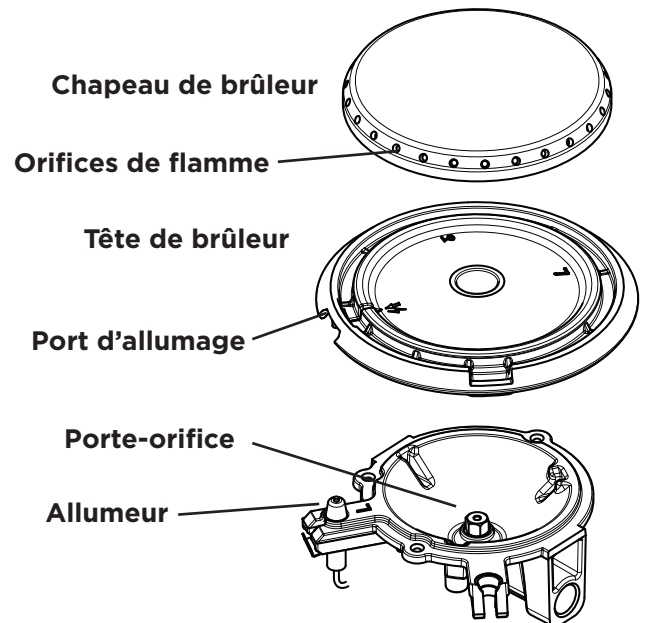


Figure 10: Chapeau de brûleur, tête de brûleur, allumeur et orifice

#### Remarques importantes :

- Veiller à ce que les capuchons demeurent bien en place lors de l'allumage des brûleurs.
- Lors du remplacement des capuchons, veiller à ce qu'ils s'assoient fermement sur les têtes de brûleur.
- Pour assurer un débit de gaz adéquat et un bon allumage des brûleurs, éviter que des déversements, de la nourriture, des agents nettoyants ou toute autre matière ne pénètrent dans les ouvertures et les orifices de gaz.

# 36 ENTRETIEN ET NETTOYAGE

## Nettoyage général

Consultez le tableau au début de ce chapitre pour plus d'informations sur le nettoyage de certaines parties du four.

### Suivez les précautions de nettoyage suivantes :

- Laissez le four refroidir avant de le nettoyer.
- Portez des gants en caoutchouc pour nettoyer le four à la main.

Enlevez la saleté à l'aide d'eau savonneuse chaude. Ne laissez pas les renversements contenant beaucoup de sucre ou d'acide (lait, tomates, choucroute, jus de fruits ou garniture pour tarte) sur la surface, car cela risque de causer des taches ternes, même après le nettoyage. Nettoyez rapidement les débordements et la saleté épaisse. Le nettoyage régulier réduit les efforts requis par d'éventuels grands nettoyages.



## ATTENTION

Avant de nettoyer votre four à la main, assurez-vous que toutes les commandes sont éteintes et que le four a refroidi. Vous pourriez vous brûler si la cuisinière est encore chaude.

Retirez toutes les grilles et accessoires du four avant de procéder au nettoyage.

L'ammoniaque doit être rincée avant de vous servir du four. Aérez bien.

## Nettoyage du four en émail vitrifié

L'intérieur du four est constitué d'acier revêtu d'émail vitrifié que vous pouvez nettoyer à l'aide de produits de nettoyage pour four.

### Nettoyage de la saleté excessive :

1. Laissez un plat d'ammoniaque dans le four pendant la nuit ou pendant plusieurs heures, porte de four fermée. Nettoyez les taches ramollies à l'aide d'eau chaude savonneuse. Rincez bien à l'eau avec un chiffon propre.
2. S'il reste encore de la saleté, enlevez-la à l'aide d'un tampon à récurer non abrasif, imbibé de savon ou d'un produit de nettoyage. Au besoin, utilisez un produit de nettoyage du commerce, en suivant les instructions du fabricant. Ne mélangez pas l'ammoniaque avec d'autres produits de nettoyage.
3. Nettoyez la saleté qui se trouve sur le cadre de la porte du four, autour du joint et sur la petite surface située au centre, à l'avant de la sole du four. Nettoyez à l'eau savonneuse chaude. Rincez à l'aide d'un chiffon et d'eau propre.

## Papier d'aluminium, ustensiles en aluminium et revêtements de four

### **AVERTISSEMENT**

Ne recouvrez jamais les fentes, les ouvertures ni les passages d'air au bas du four et ne recouvrez jamais une grille dans sa totalité avec du papier d'aluminium. Vous bloqueriez la circulation d'air autour du four et vous vous exposeriez ainsi à une intoxication par monoxyde de carbone. Le papier d'aluminium peut retenir la chaleur et présente un risque d'incendie.

- Revêtements protecteurs : n'utilisez pas de papier d'aluminium pour recouvrir la sole du four. La chaleur élevée du four peut faire fondre ces matériaux sur la cavité du four et endommager ce dernier. Ces types de matériaux peuvent également entraver la bonne circulation de l'air dans le four et produire des résultats de cuisson peu satisfaisants. N'utilisez le papier d'aluminium que selon les recommandations données dans ce guide. Une mauvaise installation de ces revêtements peut entraîner un risque de choc électrique ou d'incendie.
- Ustensiles en aluminium : Le point de fusion de l'aluminium est de beaucoup inférieur à celui des autres métaux. Faites attention lorsque vous utilisez des casseroles et des ustensiles en aluminium.
- Grilles du four - Ne recouvrez pas les grilles du four avec du papier d'aluminium. L'utilisation d'un revêtement à l'intérieur du four réduit la circulation de la chaleur et de l'air requise pour obtenir la meilleure cuisson possible dans tous les fours.

## Remplacement de l'ampoule du four

### **ATTENTION**

Assurez-vous que le four est débranché et qu'il est froid avant de remplacer l'ampoule du four.

La lampe du four est située à l'arrière de la cavité du four et est recouverte par un écran de protection en verre. Ce protecteur doit toujours être en place lorsque le four fonctionne.

### **Pour remplacer l'ampoule de la lampe intérieure du four :**

1. Coupez l'alimentation électrique ou débranchez l'appareil.
2. Enlevez le dispositif de protection de l'ampoule en le tournant d'un quart de tour dans le sens antihoraire.
3. Remplacez l'ampoule par une nouvelle ampoule halogène de 25 W de type T4 pour électroménagers.

### **REMARQUE**

Portez un gant de coton ou utilisez une serviette en papier lorsque vous installez une nouvelle ampoule. Ne touchez pas la nouvelle ampoule avec vos doigts lorsque vous l'installez. Cela réduirait sa durée de vie.

4. Remplacez le dispositif de protection de l'ampoule en le faisant tourner vers la droite.
5. Rétablissez le courant (ou rebranchez l'appareil).
6. Veillez à régler à nouveau l'horloge à l'heure du jour.

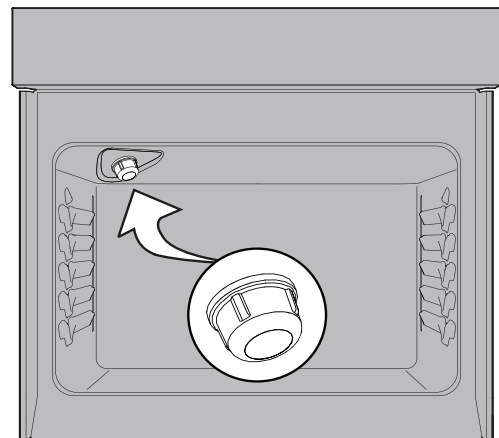


Figure 11: Lumière halogène du four

# 38 ENTRETIEN ET NETTOYAGE

## Retrait et remise en place de la porte du four :

### ATTENTION

La porte est lourde. Pour la ranger de façon temporaire, mais sûre, posez-la à plat, l'intérieur de la porte vers le bas.

### IMPORTANT

Instructions particulières pour l'entretien de la porte - Pour la ranger de façon temporaire, mais sûre, posez-la à plat, l'intérieur de la porte vers le bas.

La plupart des portes de four possèdent une vitre qui peut casser. Ne heurtez pas la vitre avec des casseroles, des ustensiles ou tout autre objet. Égratigner, cogner et frapper la vitre ou la soumettre à des tensions indues peut affaiblir sa structure et augmenter le risque de bris dans le futur. Ne fermez pas la porte du four tant que toutes les grilles ne sont pas bien en place.

### Pour retirer la porte du four :

1. Ouvrez complètement la porte du four, parallèlement au sol (Figure 12).
2. Tirez vers l'avant le verrou situé sur chaque support de charnière du four jusqu'à ce que le verrou s'arrête. Vous devrez peut-être appliquer une petite pression vers le haut sur le verrou pour le tirer vers le haut (Figure 13 et Figure 14).
3. Saisissez la porte par les côtés et fermez-la jusqu'à ce que le cadre entre en contact avec les charnières déverrouillées.
4. Tirez le bas de la porte vers vous tout en faisant tourner le haut de la porte vers l'appareil pour dégager complètement les leviers de charnière (Figure 15).

### Pour remplacer la porte du four :

1. Tenez fermement les deux côtés de la porte. N'utilisez pas la poignée de la porte (Figure 15).
2. Tenez la porte du four au même angle que pour le retrait. Insérez avec précaution les leviers de charnière dans le cadre du four jusqu'à ce que vous sentiez que les leviers de charnière sont logés dans les encoches de charnière. Les bras de charnière doivent être entièrement insérés dans les encoches de charnière avant que la porte du four ne puisse être complètement ouverte. (Figure 14).
3. Ouvrez complètement la porte du four (parallèlement au sol (Figure 12).
4. Poussez les verrous des charnières de droite et de gauche vers le haut et dans le cadre du four jusqu'à ce qu'ils soient en position verrouillée (Figure 12).
5. Fermez la porte du four.

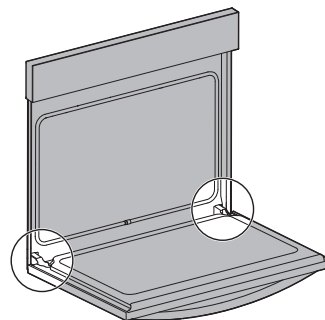


Figure 12: Emplacement de la charnière de la porte

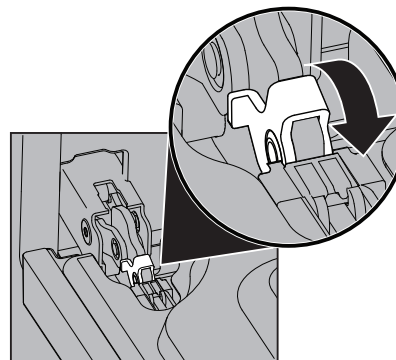


Figure 13: Serrure de charnière de porte

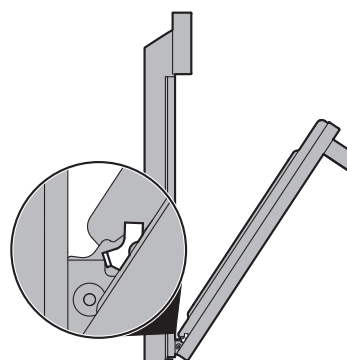


Figure 14: Position de retrait

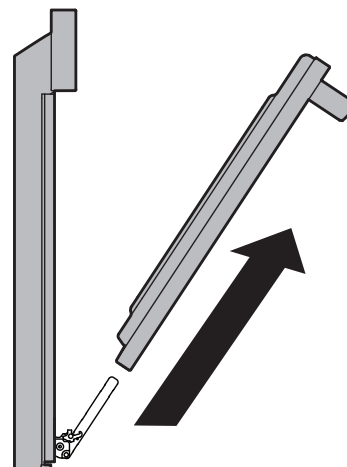







Figure 15: Enlever la porte



## Cuisson au four

Pour de meilleurs résultats de cuisson, préchauffer le four avant la cuisson des biscuits, pains, gâteaux, tartes ou pâtisseries, etc. Il n'est pas nécessaire de préchauffer le four pour rôtir la viande ou pour la cuisson en cocotte. Les temps de cuisson et les températures nécessaires pour cuire un produit peuvent varier légèrement de celles de votre ancien électroménager.

Problèmes de cuisson et solutions		
Problèmes de cuisson	Causes	Solutions
<p>Dessous des biscuits et des galettes brûlés.</p> 	<ul style="list-style-type: none"> <li>Biscuits et galettes mis au four avant la fin du préchauffage.</li> <li>La grille du four est surchargée.</li> <li>Les ustensiles foncés absorbent la chaleur trop rapidement.</li> </ul>	<ul style="list-style-type: none"> <li>Laisser préchauffer le four à la température désirée avant d'y placer les aliments.</li> <li>Choisir une plaque ou un moule de cuisson d'une taille qui permet un espace libre de 5,1 cm (2 po) de tous les côtés lorsqu'il est placé dans le four.</li> <li>Utiliser une plaque de cuisson brillante de calibre moyen.</li> </ul>
<p>Gâteaux trop foncés sur le dessus ou en dessous</p> 	<ul style="list-style-type: none"> <li>Les gâteaux ont été enfournés avant la fin du préchauffage.</li> <li>La grille est soit trop haute ou trop basse.</li> <li>Four trop chaud.</li> </ul>	<ul style="list-style-type: none"> <li>Laisser préchauffer le four à la température désirée avant d'y placer les aliments.</li> <li>S'assurer que la grille est en bonne position pour la cuisson.</li> <li>Régler la température du four 13 °C (25 °F) inférieurs à celle recommandée par la recette.</li> </ul>
<p>Le centre des gâteaux n'est pas cuit</p> 	<ul style="list-style-type: none"> <li>Four trop chaud.</li> <li>Moule à gâteau de mauvaise taille.</li> <li>Le moule n'est pas au centre du four.</li> <li>Le verre est un mauvais conducteur de chaleur.</li> </ul>	<ul style="list-style-type: none"> <li>Régler la température du four 13 °C (25 °F) inférieurs à celle recommandée.</li> <li>Utiliser un moule de la taille suggérée dans la recette.</li> <li>S'assurer que la grille est en bonne position et permettre un espace libre de 5,1 cm (2 po) de tous les côtés du moule lorsqu'il est placé dans le four.</li> <li>Réduire la température du four et allonger le temps de cuisson ou utiliser un ustensile brillant.</li> </ul>
<p>Les gâteaux sont déséquilibrés</p> 	<ul style="list-style-type: none"> <li>Le four n'est pas de niveau.</li> <li>Le moule est trop près des parois du four ou la grille est surchargée.</li> <li>Le moule est déformé.</li> <li>La lumière de four est demeurée allumée pendant la cuisson.</li> </ul>	<ul style="list-style-type: none"> <li>Placer une tasse à mesurer en verre remplie d'eau au centre de la grille du four. Si le niveau d'eau est inégal, se reporter aux instructions d'installation pour la mise de niveau de la cuisinière.</li> <li>S'assurer que la grille est en bonne position et permettre un espace libre de 5,1 cm (2 po) de tous les côtés du moule lorsqu'il est placé dans le four.</li> <li>Ne pas utiliser un moule bosselé ou déformé.</li> <li>Ne pas laisser la lampe de four allumée pendant la cuisson.</li> </ul>
<p>Les aliments ne sont pas cuits à la fin du temps de cuisson</p> 	<ul style="list-style-type: none"> <li>Le four n'est pas assez chaud.</li> <li>Le four est surchargé.</li> <li>La porte du four s'ouvre trop fréquemment.</li> </ul>	<ul style="list-style-type: none"> <li>Régler la température du four 13 °C (25 °F) supérieurs à celle indiquée et faire cuire pendant la période recommandée.</li> <li>Veiller à retirer tous les plats du four sauf ceux utilisés pour la cuisson.</li> <li>Ne pas ouvrir la porte du four avant la fin du plus court temps de cuisson recommandé.</li> </ul>

Laissez-nous vous aider à résoudre votre problème! Cette section vous aidera avec les problèmes communs. Si vous avez besoin de nous, visitez notre site Web, discutez avec un agent ou appelez-nous. Nous pouvons peut-être vous aider à éviter une visite de service. Si vous avez besoin de service, nous pouvons le faire pour vous!

1-800-374-4432 (United States)

**Frigidaire.com**

1-800-265-8352 (Canada)

**Frigidaire.ca**

Problème	Cause et solution
L'ensemble de la cuisinière ne fonctionne pas.	L'appareil ménager est débranché. S'assurer que le cordon est bien branché sur la prise. Valider la fonctionnalité du disjoncteur ou vérifier les fusibles.  Panne de courant. Vérifier l'éclairage de la maison pour valider. Appeler votre compagnie d'électricité au sujet de l'interruption de service.

Problèmes de four	
Problème	Cause et solution
Résultats de cuisson médiocres.	L'effet de nombreux facteurs de cuisson. S'assurer que la grille est en bonne position. Déposer les aliments au centre du four et espacer les plats de cuisson pour permettre une bonne circulation d'air. Préchauffer le four à la température désirée avant d'y placer les aliments. Tenter de réajuster la température ou le temps de cuisson recommandés dans la recette. Voir "Réglages de la température du four (Adjust Oven Temperature, UPO)" on page 23 si vous croyez que le four est trop chaud ou pas assez.
Flammes à l'intérieur four ou de la fumée sortant de l'évent.	Des déversements excessifs dans le four. De la graisse ou des aliments renversés sur la sole ou les parois du four. Essuyer les déversements excessifs avant d'allumer le four. Si des flammes ou une fumée excessive sont présentes en mode Broil (grillage), voir "Réglage du gril" on page 27.
Le four fume excessivement durant le grillage.	Mauvais réglage. Suivre les "Réglage du gril" on page 27.  La viande est trop près de la salamandre ou du brûleur. Repositionner la grille pour permettre le bon écart entre la viande et la flamme. Enlever l'excédent de gras de la viande. Couper le gras des bords pour empêcher le retroussage, mais ne pas couper dans la viande maigre.  Accumulation de graisse sur les parois du four. Un nettoyage régulier est nécessaire pour la cuisson au grilloir fréquente. Les éclaboussures de graisse ou d'aliments provoquent beaucoup trop de fumée.
Le tableau de commande du four émet des bips et affiche un code d'erreur F (panne) ou E (erreur).	La commande de four a détecté une panne ou une erreur. Pour annuler l'erreur, appuyer sur la touche OFF du tableau de commande. Une fois l'état d'erreur annulé, tenter d'utiliser la fonction Bake (cuire) ou Broil (griller). Si le code d'erreur se répète, couper l'alimentation, attendre 5 minutes puis remettre l'appareil en marche. Régler l'horloge. Tenter d'utiliser la fonction Bake (cuire) ou Broil (grillage) de nouveau. Si la panne se reproduit, appuyer sur OFF pour l'annuler.
L'appareil électroménager ne fonctionne pas en partie.	S'assurer que le régulateur de la soupape de gaz est en marche (ON). Voir les notices d'installation.  L'heure n'est pas réglée. L'horloge du four doit d'abord être réglée avant de l'utiliser. Voir "Réglage de l'horloge" on page 22.  S'assurer que les commandes du four sont réglées pour la fonction souhaitée. Voir "Réglage des commandes du four" on page 21 et relire les instructions pour la fonction de cuisson souhaitée dans le manuel ou voir dans la "L'ensemble de la cuisinière ne fonctionne pas." liste de contrôle.
Le ventilateur de convection ne tourne pas.	La porte du four est ouverte. Le ventilateur de convection s'éteint si la porte du four est ouverte en mode convection. Fermer la porte du four.  Sur les modèles à gaz, le ventilateur de convection commence à tourner 6 minutes après le démarrage de la cuisson.

Problèmes de surface de cuisson	
Problème	Cause et solution
Le brûleur est trop chaud ou pas assez.	Réglage incorrect. Ajuster le niveau d'intensité.
Les brûleurs de surface ne s'enflamment pas.	<p>Le bouton de commande de surface n'est pas complètement tourné sur LITE (allumer) ( ). Appuyer sur le bouton de commande correspondant et le maintenir sur LITE (allumer) jusqu'à ce que le brûleur s'enflamme, puis tourner dans le sens anti-horaire jusqu'à ce que la flamme atteigne la taille souhaitée.</p> <p>Les orifices du brûleur sont obstrués. Mettre le brûleur sur OFF (arrêter), puis utiliser un fil de petit calibre ou une aiguille pour dégager la tête de brûleur et les orifices d'allumage. Voir "Nettoyage des brûleurs de surface" on page 35 pour des instructions supplémentaires sur le nettoyage.</p> <p>Le cordon électrique est débranché de la prise (modèles à allumage électrique uniquement). Valider que le cordon d'alimentation est correctement branché dans la prise de courant.</p> <p>Le circuit secteur est ouvert. Vérifier les disjoncteurs ou les fusibles.</p> <p>Panne de courant. Les brûleurs peuvent être allumés manuellement. Voir "Setting Surface Burners" sur page 13.</p>
Flamme du brûleur de surface inégale ou ne s'allume qu'à moitié autour du capuchon de brûleur.	<p>Les fentes du brûleur ou les orifices sont obstrués. Mettre le brûleur sur OFF (arrêter), puis utiliser un fil de petit calibre ou une aiguille pour dégager les orifices d'allumage. Attiser légèrement la flamme du brûleur et le laisser en marche jusqu'à ce que la flamme soit complète.</p> <p>Les capuchons de brûleur ne sont pas bien en place. Vérifier que tous les capuchons de brûleur sont de niveau et bien en place sur les têtes de brûleur. Voir "Nettoyage des brûleurs de surface" on page 35 pour des instructions supplémentaires sur le nettoyage.</p>
Flamme du brûleur de surface trop vive.	<p>Le bouton de commande de surface est sur un réglage trop élevé. Régler sur une intensité plus faible.</p> <p>Les capuchons de brûleur ne sont pas bien en place. Vérifier que tous les capuchons de brûleur sont de niveau et bien en place sur les têtes de brûleur. Voir "Nettoyage des brûleurs de surface" on page 35 pour des instructions supplémentaires sur le nettoyage.</p> <p>Conversion au GPL inadéquate. Voir les directives du nécessaire de conversion au GPL pour corriger.</p>
Flamme orangée du brûleur de surface.	<p>Particules de poussière dans la conduite principale. Laisser brûler la flamme jusqu'à ce qu'elle tourne au bleu. Le long des côtes, une flamme quelque peu orangée est inévitable dû aux embruns et à l'air salin.</p> <p>Conversion au GPL inadéquate. Voir les directives du nécessaire de conversion au GPL pour corriger.</p>

<b>Problèmes d'autonettoyage</b>	
<b>Problème</b>	<b>Cause et solution</b>
La fonction Self Clean (autonettoyage) ne fonctionne pas.	Le four n'est pas bien réglé. Voir "Autonettoyage" on page 30.
Les grilles de four sont décolorées ou ne glissent pas facilement.	Les grilles de four sont demeurées à l'intérieur durant l'autonettoyage. Enlever toutes les grilles et tous les accessoires du four avant de lancer l'autonettoyage. Nettoyer avec un abrasif doux en respectant les directives du fabricant. Rincer à l'eau claire, sécher et replacer dans le four.
La saleté persiste après l'autonettoyage.	L'autonettoyage a été interrompu. Revoir les instructions données "Autonettoyage" on page 30.  Déversements excessifs sur la sole du four. Nettoyer tout excès de déversement avant de lancer l'autonettoyage.  L'omission de nettoyer la saleté du cadre du four, de la garniture de porte à l'extérieur du joint de porte et la petite zone au centre avant de la sole du four. Ces zones ne font pas partie de la zone d'autonettoyage, mais deviennent assez chaudes pour brûler les résidus. Nettoyer manuellement ces zones avant de lancer le cycle de nettoyage. Les résidus peuvent être nettoyés à l'aide d'une brosse en nylon et de l'eau ou d'un tampon de récurage en nylon. Veiller à ne pas endommager le joint de four.
Le contrôleur de four affiche SPPr et l'autonettoyage ne fonctionne pas.	Ne pas utiliser la surface de cuisson durant un cycle d'autonettoyage. Chez certains modèles, allumer l'un ou l'autre des brûleurs occasionne l'annulation du cycle d'autonettoyage. Si le cycle d'autonettoyage est annulé, l'écran du contrôleur de four affiche le message < SPPr > pendant 5 secondes. La porte de four demeure verrouillée jusqu'au refroidissement du four en dessous de la température de nettoyage. Une fois le four en dessous de la température de nettoyage, il est possible de lancer immédiatement un autre cycle d'autonettoyage. Si le four est toujours à sa température d'autonettoyage, il faut attendre que la porte soit déverrouillée avant de régler un autre cycle d'autonettoyage (jusqu'à 4 heures).

<b>Autres problèmes</b>	
<b>Problème</b>	<b>Cause et solution</b>
La cuisinière n'est pas de niveau.	<p>S'assurer que le plancher est de niveau, solide et suffisamment stable pour soutenir la cuisinière de manière adéquate.</p> <p>Si le plancher est en pente ou s'affaisse, contacter un menuisier pour corriger la situation.</p> <p>Une mauvaise installation. Placer une grille au centre du four. Déposer un niveau sur la grille. Ajuster les pieds de mise à niveau à la base de l'appareil jusqu'à ce que la grille soit de niveau.</p> <p>L'alignement de l'armoire de cuisine peut faire paraître la cuisinière hors de niveau. S'assurer que les armoires sont d'équerre et ont suffisamment de jeu pour le dégagement de l'appareil.</p>
L'appareil est difficile à déplacer. L'appareil doit être accessible pour l'entretien.	<p>Les armoires ne sont pas d'équerre ou sont trop serrées. Contacter le constructeur ou l'installateur pour rendre l'appareil accessible.</p> <p>Le tapis entrave la cuisinière. Prévoir suffisamment d'espace pour que l'appareil puisse être soulevé par-dessus le tapis. Il n'est pas conseillé d'installer un électroménager sur un tapis. Voir les directives particulières à votre appareil ménager dans la notice d'installation.</p>
L'ampoule du four ne fonctionne pas.	S'assurer que l'ampoule est bien en place dans son culot. Voir "Remplacement de l'ampoule du four" on page 37.

Votre appareil est couvert par une garantie limitée d'un an. Pendant un an à partir de la date d'achat d'origine, Electrolux assumera les coûts des réparations ou du remplacement des pièces de cet appareil si ce dernier présente un défaut de matériau ou de fabrication, à la condition que l'appareil soit installé, utilisé et entretenu selon les instructions fournies.

## Exclusions

Cette garantie ne couvre pas ce qui suit :

1. Les produits dont le numéro de série d'origine a été enlevé, modifié ou n'est pas facilement lisible.
2. Les produits qui ont été transférés de leur propriétaire initial à une autre personne ou qui ne sont plus aux États-Unis ou au Canada.
3. La présence de rouille à l'intérieur ou à l'extérieur de l'appareil.
4. Les produits vendus " tels quels " ne sont pas couverts par cette garantie.
5. La perte de nourriture à la suite d'une défaillance du réfrigérateur ou du congélateur.
6. Les produits utilisés dans des établissements commerciaux.
7. Les appels de service qui ne concernent pas un mal fonctionnement, un défaut de fabrication ou de matériau, ou pour les appareils qui ne font pas l'objet d'un usage domestique ou qui ne sont pas utilisés conformément aux instructions fournies.
8. Les appels de service pour vérifier l'installation de votre appareil ou pour obtenir des instructions concernant l'utilisation de votre appareil.
9. Les frais engagés pour rendre l'appareil accessible pour une réparation, par exemple l'enlèvement des garnitures, des armoires, des étagères, etc., qui ne faisaient pas partie de l'appareil lorsqu'il a quitté l'usine.
10. Les appels de service qui concernent la réparation ou le remplacement des ampoules, des filtres à air, des filtres à eau, d'autres matériels ou des boutons, poignées ou autres pièces esthétiques.
11. Les frais supplémentaires comprenant, mais sans s'y limiter, les appels de service en dehors des heures normales de bureau, en fin de semaine ou pendant un jour férié; les droits de péage; les frais de convoyage ou les frais de déplacement pour les appels de service dans des endroits isolés, notamment l'État de l'Alaska.
12. Les dommages causés au fini de l'appareil ou à la maison pendant l'installation, y compris, sans s'y limiter, aux planchers, aux armoires, aux murs, etc.
13. Les dommages causés par : des réparations effectuées par des techniciens non autorisés; l'utilisation de pièces autres que les pièces Electrolux d'origine ou qui n'ont pas été obtenues par l'entremise d'un réparateur autorisé; ou les causes étrangères comme une utilisation abusive ou inappropriée, une alimentation électrique inadéquate, un accident, un incendie ou une catastrophe naturelle.

## AVERTISSEMENT CONCERNANT LES GARANTIES IMPLICITES; LIMITATIONS DES RECOURS

L'UNIQUE RECOURS DU CLIENT EN VERTU DE CETTE GARANTIE LIMITÉE EST LA RÉPARATION OU LE REMPLACEMENT DU PRODUIT TEL QUE DÉCRIT PRÉCÉDEMMENT. LES RÉCLAMATIONS BASÉES SUR DES GARANTIES IMPLICITES, Y COMPRIS LES GARANTIES IMPLICITES DE QUALITÉ MARCHANDE OU D'ADAPTATION À UN USAGE PARTICULIER, SONT LIMITÉES À UN AN OU À LA PÉRIODE LA PLUS COURTE PERMISE PAR LA LOI, QUI NE DOIT PAS ÊTRE INFÉRIEURE À UN AN. ELECTROLUX NE POURRA ÊTRE TENUE RESPONSABLE DES DOMMAGES ACCESSOIRES OU INDIRECTS NI DES DOMMAGES MATÉRIELS ET DES DÉPENSES IMPRÉVUES RÉSULTANT D'UNE VIOLATION DE CETTE GARANTIE ÉCRITE OU DE TOUTE AUTRE GARANTIE IMPLICITE. CERTAINS ÉTATS ET CERTAINES PROVINCES NE PERMETTENT AUCUNE RESTRICTION OU EXEMPTION SUR LES DOMMAGES ACCESSOIRES OU INDIRECTS NI RESTRICTION SUR LES GARANTIES IMPLICITES. DANS CE CAS, CES RESTRICTIONS OU EXEMPTIONS POURRAIENT NE PAS ÊTRE APPLICABLES. CETTE GARANTIE ÉCRITE VOUS DONNE DES DROITS LÉGAUX PRÉCIS. IL SE PEUT QUE VOUS AYEZ D'AUTRES DROITS QUI PEUVENT VARIER SELON L'ÉTAT OU LA PROVINCE.

## Si vous avez besoin de service

Conservez votre reçu, votre bon de livraison ou toute autre preuve de paiement valide permettant d'établir la période de la garantie au cas où vous auriez besoin de faire appel au service de réparation. Si une réparation est effectuée, il est dans votre intérêt d'obtenir et de conserver tous les reçus. Le service auquel vous avez recours en vertu de cette garantie doit être obtenu en communiquant avec Electrolux aux adresses ou aux numéros de téléphone ci-dessous.

Cette garantie n'est valide qu'aux États-Unis et au Canada. Aux États-Unis, votre appareil est garanti par Electrolux Major Appliances North America, une division d'Electrolux Home Products, Inc. Au Canada, votre appareil est garanti par Electrolux Canada Corp. Personne n'est autorisé à modifier ni à apporter des ajouts aux obligations contenues dans cette garantie. Les obligations de cette garantie concernant la réparation et les pièces doivent être remplies par Electrolux ou par une compagnie de réparation autorisée. Les caractéristiques et les spécifications décrites ou illustrées peuvent être modifiées sans préavis.

**USA**  
**1-800-374-4432**  
Frigidaire  
10200 David Taylor Drive  
Charlotte, NC 28262

**FRIGIDAIRE**

**Canada**  
**1.800.265.8352**  
Electrolux Canada Corp.  
5855 Terry Fox Way  
Mississauga, Ontario, Canada  
L5V 3E4

# FRIGIDAIRE®

## bienvenue **chez nous**

Notre maison est votre maison. Visitez-nous si vous avez besoin d'aide pour l'une de ces choses :



soutien aux propriétaires



accessoires



service



enregistrement

(Voir votre carte d'enregistrement pour plus d'informations.)

Frigidaire.com  
1-800-374-4432

Frigidaire.ca  
1-800-265-8352