

# ASSEMBLY INSTRUCTIONS NOTICE D'ASSEMBLAGE

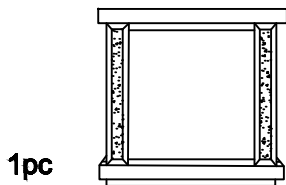
ITEM : ELSAWFIR

**Important note/Note importante:**

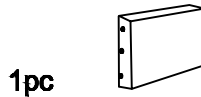
1. Place all wooden parts on a clean and smooth surface such as a rug or carpet to avoid scratching the parts./ Placer les pièces sur une surface propre et lisse tel qu'une couverture ou un tapis pour éviter d'endommager les pièces.
2. Kindly follow the assembly instructions step by step./ Veuillez suivre la notice d'assemblage, pas à pas.
3. Do not tighten all screws and bolts until the chair is fully assembled./ Ne serrer les vis et boulons à fond que lorsque le produit est entièrement assemblé.

## PARTS IDENTIFICATION / IDENTIFICATION DES PIÈCES

**1** Fireplace /Foyer électrique



**2** Fireplace core/Coeur du foyer électrique



## HARDWARE IDENTIFICATION / IDENTIFICATION DES PIÈCES MONTAGE

**A** Bolt  
Boulon  
1.2\*0.5"



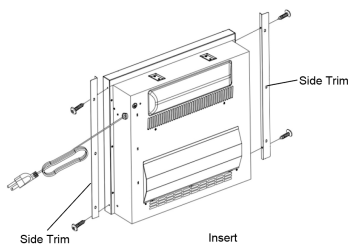
**B** Screwdriver  
/Tournevis



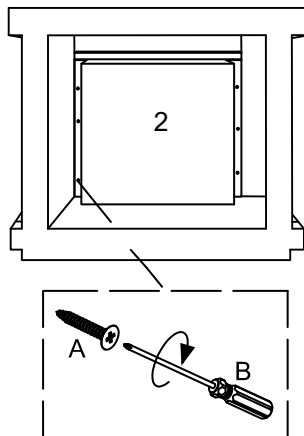
**C** Side trim/Bordure latérale



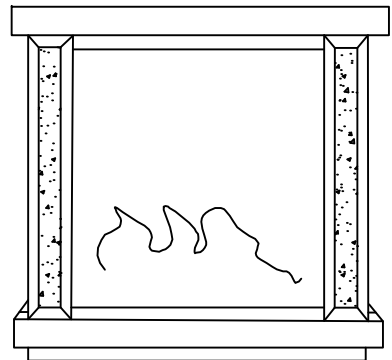
### STEP 1 / ÉTAPE 1



### STEP 2 / ÉTAPE 2

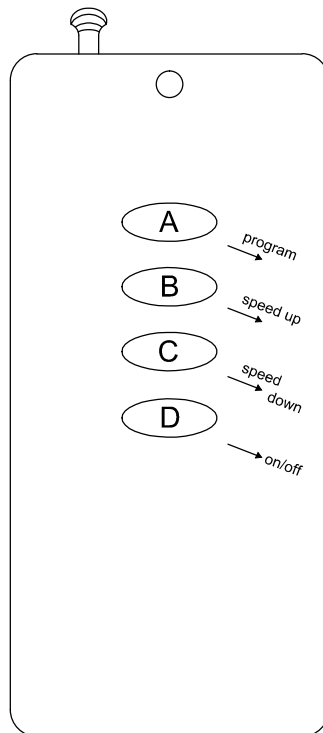


### COMPLETE / ASSEMBLAGE TERMINÉ







# Elsa LED Fireplace / Foyer DEL Elsa

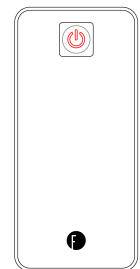
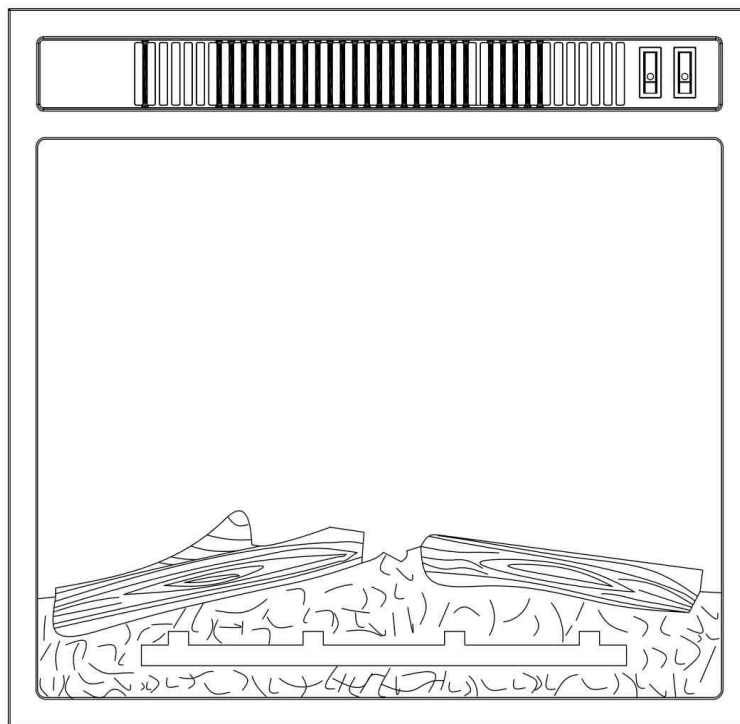
Operation Instructions of Controller / Mode d'emploi de la commande



Adopt IR remote to control the LED controller, which has 4 buttons, the function of each button as the table below. / La télécommande IR permet de commander la commande DEL, qui comporte 4 boutons, dont la fonction est décrite dans le tableau ci-dessous.

Button / Bouton	Function / Fonction
	(A)Program:select key for sample color function.Every time you press it,the light color will change once. / Programme : touche pour sélectionner un échantillon de couleur. Chaque fois que vous appuyez sur cette touche, la couleur de la lumière change une fois.
	(B)Speed up:Speed up key,each press,light color change once. / Augmentation : touche d'augmentation, à chaque pression, la couleur de la lumière change une fois.
	(C)Speed down:Speed down key,with continuous reception function. / Diminution : touche de diminution, avec fonction de réception continue.
	(D)On/Off:On button,which can turn on or off the controller output in any state. / Marche/Arrêt : bouton marche, qui permet d'activer ou de désactiver la sortie de la commande dans n'importe quel état.

# User Manual



# IMPORTANT SAFETY INSTRUCTIONS

**WARNING: Any use of this appliance other than that recommended by the manufacturer in this owners manual may cause fire, burns, electric shock and/or other serious injuries or death.**

When using electrical appliance, basic precautions should always be followed to avoid the risk of fire, electric shock and injury to persons including the following:

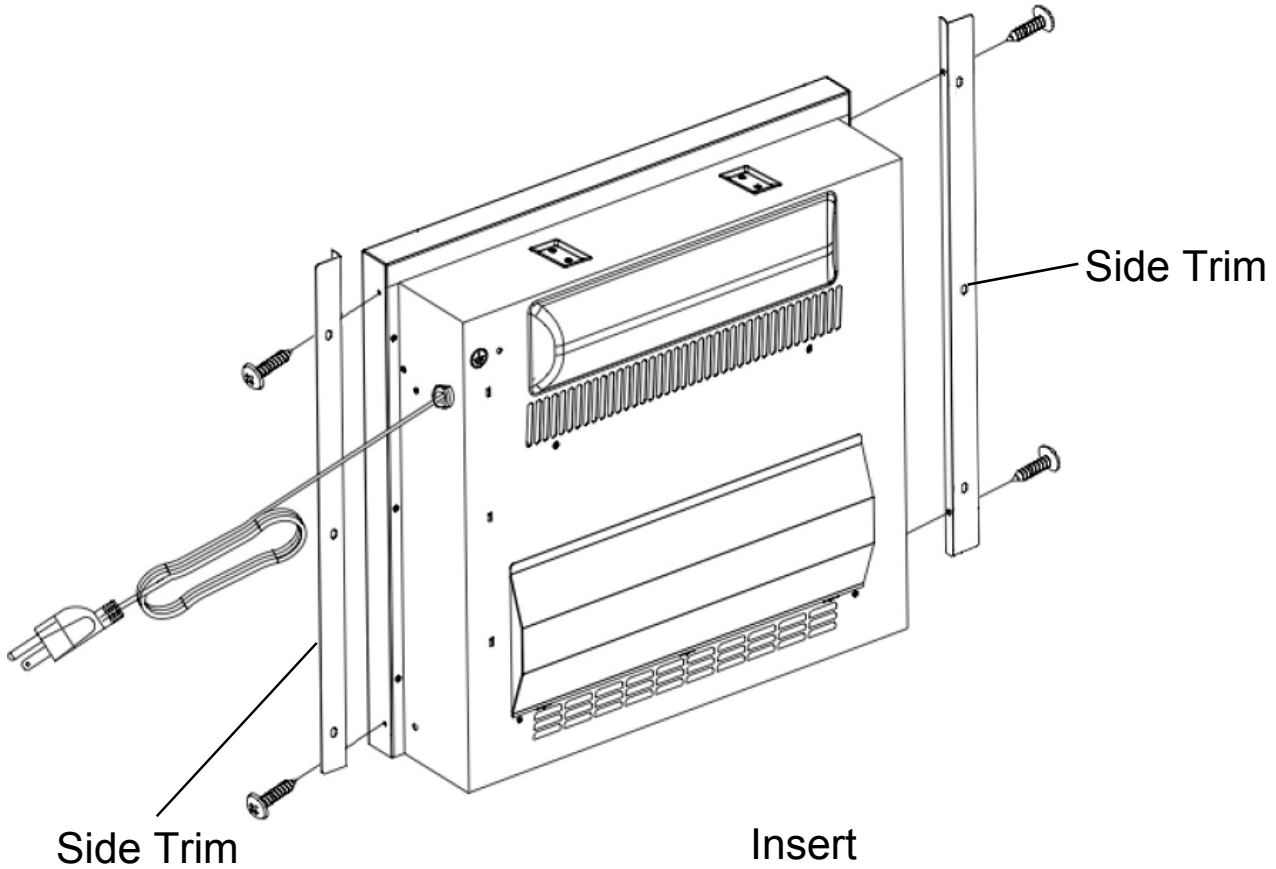
1. **Read all instructions before using this appliance.**
2. This appliance is hot when in use. To avoid burns, do not let bare skin touch hot surface. If provided, use handles when moving this appliance. Keep combustible materials, such as furniture, pillows, bedding, papers, clothes, and curtains, etc. at least 3 feet (0.9 meter) away from the front of the appliance. Keep all items away from the sides and rear.
3. Extreme caution is necessary when the appliance is used by or near children or invalids and whenever the appliance is left operating and unattended.
4. Always unplug appliance when not in use. **This unit should be operate under supervision and should not be left on without supervision.**
5. Do not operate any appliance with a damaged cord or plug or after the appliance malfunctions, has been dropped or damaged in any manner. Return appliance to authorized service facility for examination, electrical or mechanical adjustment or repair.
6. Do not use for outdoors.
7. This appliance is not intended for use in bathrooms, laundry areas and similar indoor locations. Never locate appliance where it may fall into a bathtub or other water container.
8. Do not run cord under carpeting. Do not cover the power cord with throw rugs, runners, or similar floor coverings. Arrange cord away from traffic area and where it will not be tripped over.
9. To disconnect the appliance, turn all controls "OFF", then remove the plug from the electrical outlet.
10. Connect to properly grounded outlets only.
11. Do not insert or allow foreign objects to enter any ventilation or exhaust openings as this may cause an electric shock or fire, or damage the appliance.
12. To prevent a possible fire, do not block air intakes or exhausts in any manner. Do not use on soft surfaces, like a bed, where openings may become blocked.
13. All electrical appliances have hot and arching or sparking parts inside. Do not use in areas where gasoline, paint, or flammable liquids are used or stored.
14. Use this appliance only as described in this manual. Any other use which is not recommended by the manufacturer may cause fire, electric shock, or injury to persons.
15. **It is strongly recommended that to use the entire 15 amp outlet for the electric fireplace only.** Sharing the outlet with another electronic item could create overload and damage the outlet and electric items in the long term.
16. Avoid using an extension cord because the extension cords may overheat and cause a risk of fire. However, If an extension cord **MUST** be used, the cord must be No. 14AWG minimum size and rated not less than 1875 Watts. The extension cord must be a 3-prong cord with grounding type plug and cord connection and should not exceed 20' (6m) in length.
17. When transporting or storing the appliance, keep both the unit and power cord / plug dry, free from excessive vibration and away from heat sources to avoid causing fire, electric shock, or injury to persons.
18. Do not attempt to burn wood or other materials in this appliance.
19. This appliance, when installed must be electrically grounded in accordance with the current.

**Canada: CSA C22.1, Canadian Electrical Code**  
**U.S.A.: ANSI/NFPA NO. 70, National Electrical Code**

## SAVE THESE INSTRUCTIONS

# PACKAGE CONTENTS

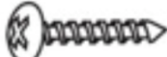
---



Description	Quantity
Side Trim	2
Insert	1

## HARDWARE CONTENTS

---

Description	Quantity	Picture
Screws	10	

## PRODUCT SPECIFICATIONS

---

Voltage	120V - 60Hz
Watts	1500 Watts

---

# OPERATING INSTRUCTIONS

Read all instructions and warning prior to operating the appliance.

Ensure that all controls are in the "OFF" status before plugging the appliance into a properly grounded electrical outlet.

This appliance is for use on 120 Volts. The appliance has a 3-prong grounded plug (Figure 1.A). If your electrical outlet has only 2 slots (Figure 1.B), you will have to use an adapter (Figure 1.C) to convert from the 3-prong power cord to a 2-slot receptacle. The green grounding plug extending from the adapter must be securely connected to a permanent ground such as a properly grounded outlet box. The adapter should only be used if a proper 3-slot receptacle is not available.

**NOTE: Adapters are not allowed for use in Canada.**

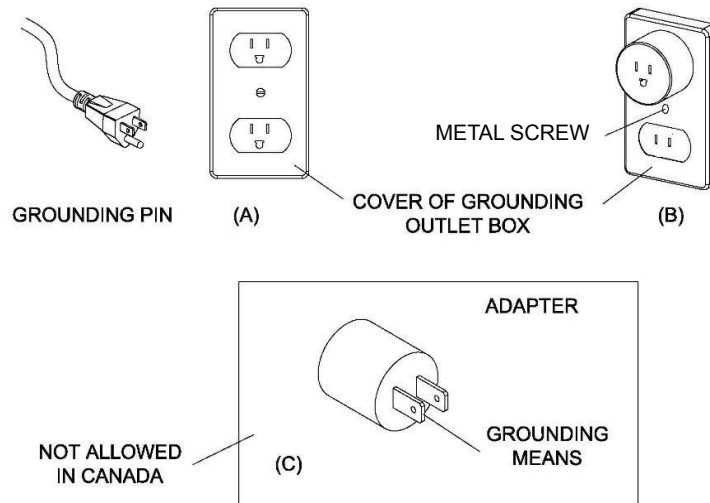


Figure 1

A 15 AMP circuit is required to operate this appliance. If the breaker trips when the appliance is running, you may need to move the appliance to another location or unplug other appliances that are on the same circuit.

The main control panel is located at the top right corner on the front (see Figure 2).

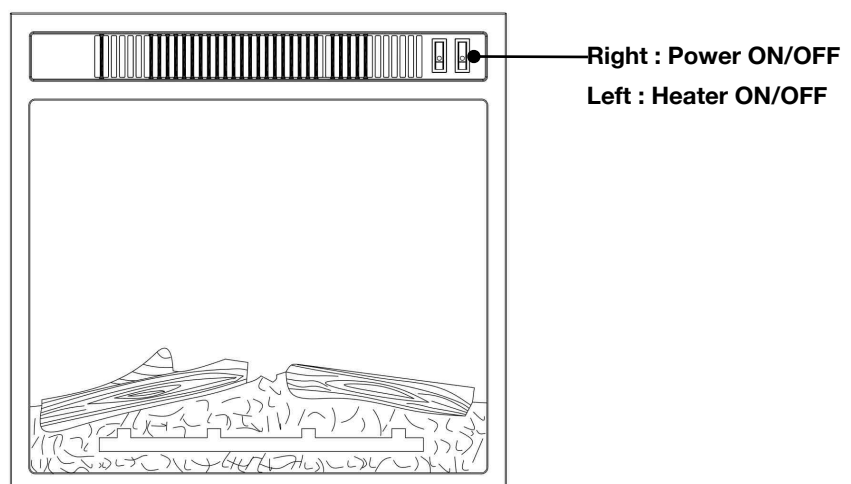


Figure 2

# OPERATING INSTRUCTIONS

---

## Using the Control Panel:

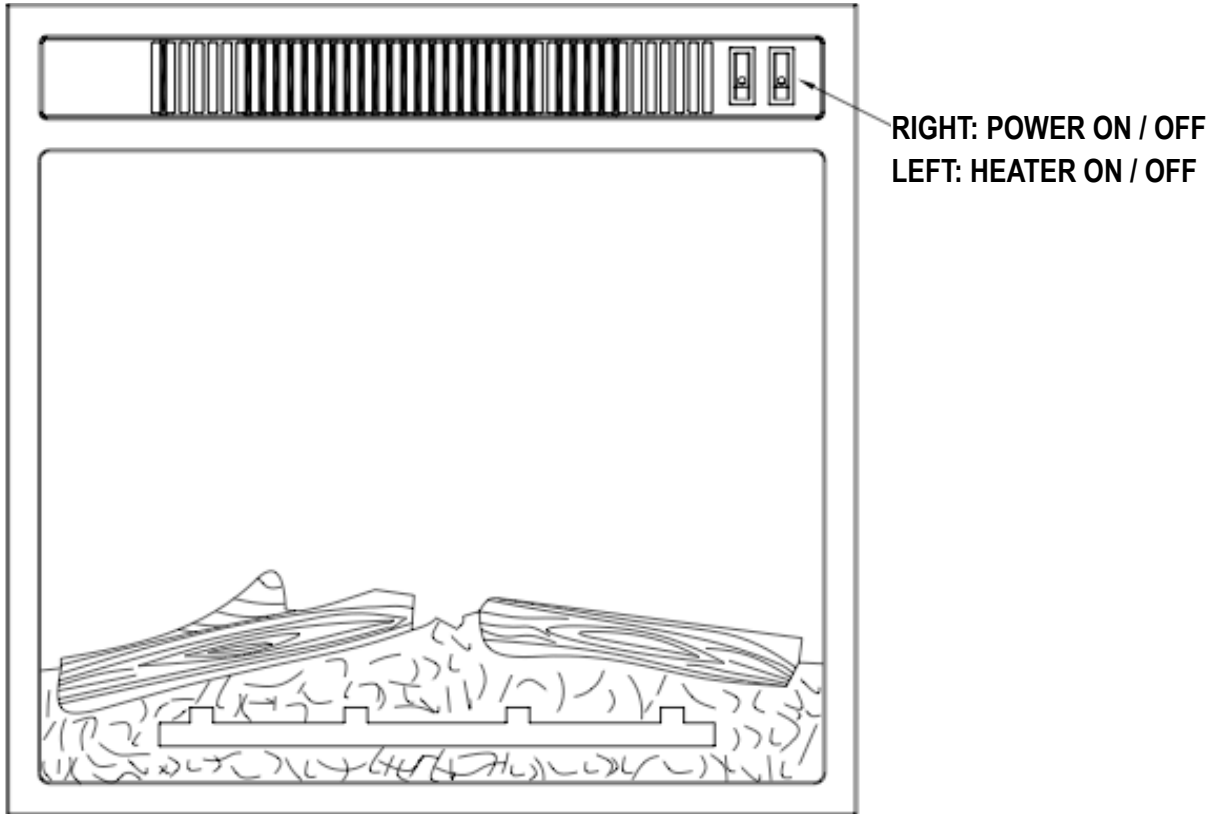


Figure 3

### Main Switch (Figure 3):

- ◆ Push button down to “ON” position to start.
- ◆ **Please ensure that the control panel is in the “ON” position. then you can push the heater button to start the related function.**
- ◆ Push button down to “OFF” position to shut down all functions.

### Heater Control (Figure 3):

1. Push button down to start the heat setting.
2. Push second time to shut heater off.
3. Electric fireplace with infrared quartz heating.

# OPERATING INSTRUCTIONS

---

This heater includes a remote control. See below for directions to use the remote control:

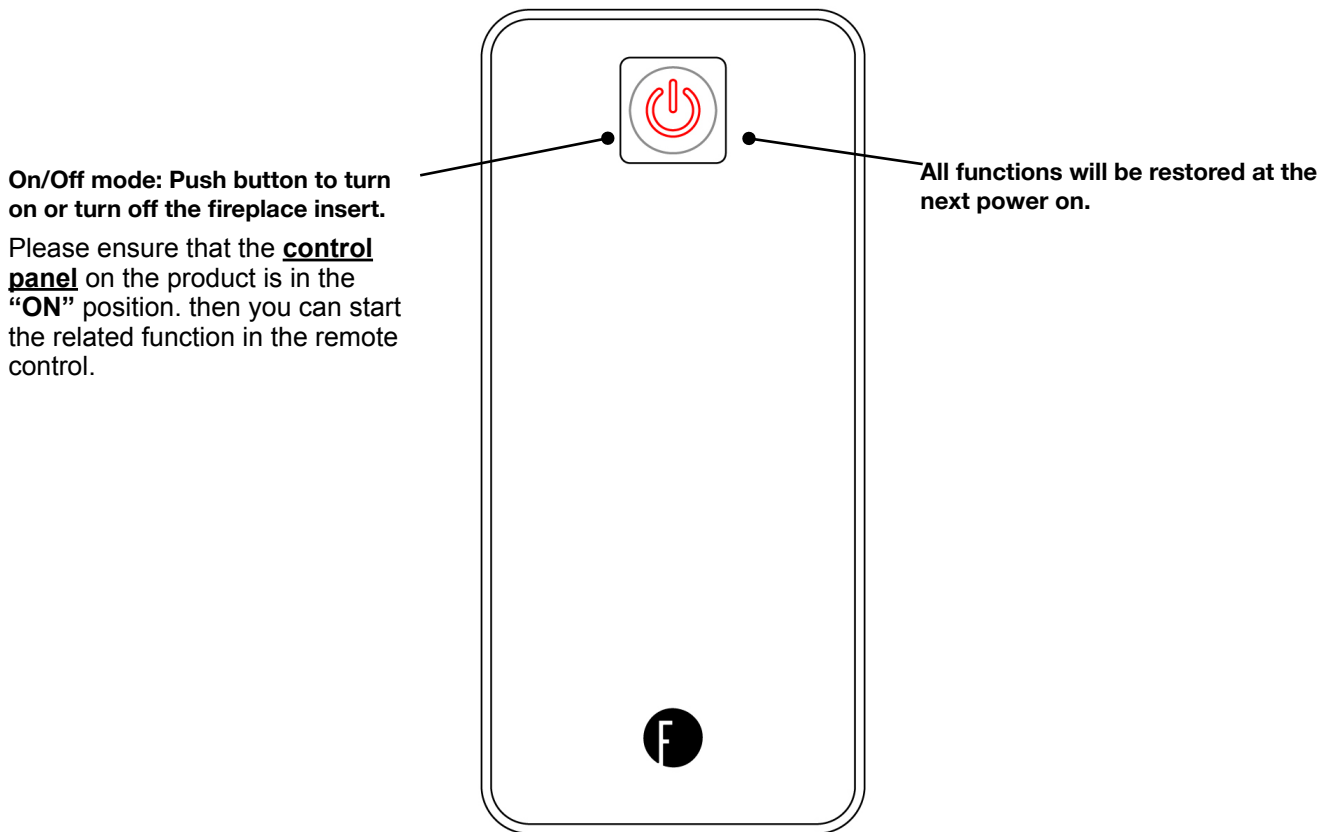


Figure 4

The Remote control comes preassembled with a working battery and a insulation plastic film. Please remove the insulation plastic film from the battery before start using the Remote. Please replace the battery in remote control with correct battery type showing on back of remote control when the remote control does not work.

Light bulbs may become loose during shipping. If the simulated flame effect is dim or does not operate properly at first, please ensure that the light bulbs are properly secured in the sockets (bulbs should be finger tight – do not over tighten).

When you first turn the heater on, it may emit a slight but harmless odor. This odor results from certain oils or greases being heated as the appliance is used for the first time. This odor is perfectly safe and will stop shortly – it will not reoccur after the first operation of the appliance.

**NOTE:**

This appliance comes equipped with an overheat protection safety device. Should the appliance begin to overheat for any reason, it will automatically turn all functions of the appliance off. The appliance will have to be reset prior to continuing use. To reset the overheat protection safety device, turn all controls off and unplug the appliance. Wait 10 minutes, plug the appliance back in and turn on.



# MAINTENANCE

**WARNING:** Before attempting to perform any maintenance on this appliance, turn all controls to the “OFF” position and then unplug. Allow the appliance to be “OFF” for at least 10 minutes before performing any maintenance in order to allow all components to cool properly.

## Replacing Light Bulbs:

1. Ensure that all controls are off, the appliance is unplugged and bulbs are cool for touch.
2. Wear latex gloves to ensure that grease/oil from your hands does not transfer to the bulbs.
3. Remove 3 screws on the bulb panel. (Figure 4.A)
4. Fold and remove the bulb panel (Figure 4.B).
5. You will see two 40W light bulbs below the log set. (Figure 4.C)
6. Remove the burnt out light bulb and replace with a new bulb. **WARNING: DO NOT EXCEED THE RECOMMENDED BULB WATTAGE.** Hand tighten the bulbs only – do not over tighten.
7. Place the bulb panel to the original position and tighten the back panel by 3 screws (Figure 4.D).

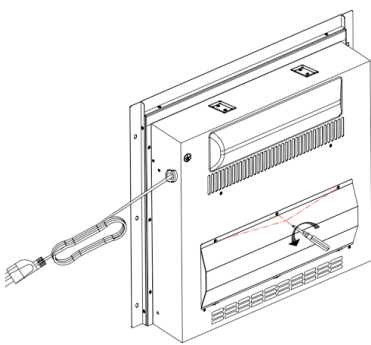


Figure 4.A

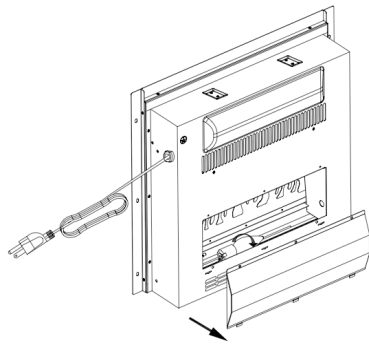


Figure 4.B

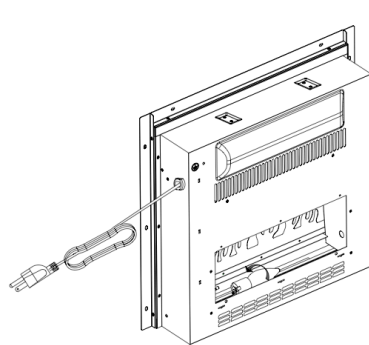


Figure 4.C

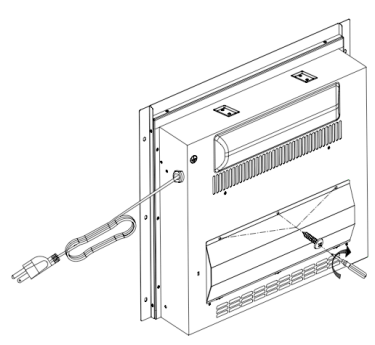


Figure 4.D

## Cleaning:

1. To remove lamp cover from back cover, use clean dry cloth.
2. To remove fingerprints or other marks from glass window, use clean damp cloth. Do not spray glass cleaner or other liquids directly onto the window.
3. Clean metal surfaces with a clean damp cloth making sure not to push dust or debris into any air intake or exhaust vents.
4. Do not use abrasive cleaners or spray liquids on any part of the appliance.
5. Periodic cleaning/vacuuming of the fan/heater unit is strongly recommended to ensure that no dirt or foreign objects build up.

When you first turn the heater on, it may emit a slight but harmless odor. This odor results from certain oils or greases being heated as the appliance is used for the first time. This odor is perfectly safe and will stop shortly – it will not reoccur after the first operation of the appliance.

## NOTE:

This appliance comes equipped with an overheat protection safety device. Should the appliance begin to overheat for any reason, it will automatically turn all functions of the appliance off. The appliance will have to be reset prior to continuing use. To reset the overheat protection safety device, turn all controls off and unplug the appliance. Wait 10 minutes, plug the appliance back in and turn on.

# TROUBLE SHOOTING

**WARNING: Turn off the appliance, unplug and let cool for at least 10 minutes before attempting to service. Only a qualified professional should attempt to service or repair the appliance.**

PROBLEM	POSSIBLE CAUSE	SOLUTION
Simulated Flame Effect is dim or not presented.	<ol style="list-style-type: none"> <li>1. Light bulbs are burnt out.</li> <li>2. "Flame wand" has come loose from bracket.</li> <li>3. "Flame wand" motor is not functioning.</li> </ol>	<ol style="list-style-type: none"> <li>1. Inspect light bulbs and replace if necessary. (see Maintenance section of this manual)</li> <li>2. Pls. refer "Replacing light bulbs" Fig. 4A~Fig.4C to remove light bulbs first, Check the inside of firebox to secure end of "Flame wand" back into the support bracket. .</li> </ol>
The appliance turns off and will not turn back on	<ol style="list-style-type: none"> <li>1. The overheat protection device in the appliance has been triggered.</li> <li>2. House circuit breaker has been tripped.</li> </ol>	<ol style="list-style-type: none"> <li>1. Turn all controls off, unplug the appliance, allow the insert to cool down for at least 10 minutes, and then plug in and restart.</li> <li>2. Reset house circuit breaker.</li> </ol>
The appliance does not turn on when the button is pushed to "ON"	The overheat protection device in the appliance has been triggered.	Turn all controls off, unplug the appliance, allow the insert to cool down for at least 10 minutes, and then plug in and restart.

**NOTE: If you experience difficulties, please do not return this product to store. Any missing parts, hardware or assembly problems, please call our customer service center at .**

**Warning :Any changes or modifications to this unit not expressly approved by the party responsible for compliance could void the user's authority to operate the equipment.**

**Note: This equipment has been tested and found to comply with the limits for a Class B digital device, pursuant to part 15 of the FCC Rules. These limits are designed to provide reasonable protection against harmful interference in a residential installation. This equipment generates, uses and can radiate radio frequency energy and, if not installed and used in accordance with the instructions, may cause harmful interference to radio communications. However, there is no guarantee that interference will not occur in a particular installation.**

**If this equipment does cause harmful interference to radio or television reception, which can be determined by turning the equipment off and on, the user is encouraged to try to correct the interference by one or more of the following measures:**

**--Reorient or relocate the receiving antenna.**

**--Increase the separation between the equipment and receiver.**

**--Connect the equipment into an outlet on a circuit different from that to which the receiver is connected.**

**--Consult the dealer or an experienced radio/TV technician for help.**

# ONE YEAR LIMITED WARRANTY

---

The following non-transferable limited warranty applies is extended only to the original consumer-purchaser of this product. This product is only warranted against defects in material and workmanship subject to the normal and reasonable use and correct installation of the product for a period of one (1) year from the date of purchase.

This warranty is made to the original owner, provided that the purchase was made through an authorized supplier of the company. Any unauthorized repair, alteration, misapplication, careless handling, improper installation, willful abuse, accident, or misuse of the product shall nullify this warranty. This warranty does not apply to the normal wear and tear. This warranty does not cover light bulbs. The duration of all implied warranties on this particular purpose are limited to the one (1) year duration of the express warranty period specified above.

In no event will be liable for any incidental or consequential damages (including loss of profits) arising from the use of this product. Some jurisdictions do not allow limitations on how long an implied warranty lasts / or do not allow the limitation or exclusion of incidental or consequential damages, so these implied warranty limitations may not apply to you. This limited warranty gives you specific legal rights. You may also have other rights which vary from jurisdiction to jurisdiction. Repair or replacement, at option, of a defective product is your sole remedy under this limited warranty. In no event will maximum liability exceed the purchase price of the product paid by the consumer/purchaser.

If replacement parts are needed or to obtain performance of any obligation under this limited warranty, phone Customer Service Center.

Be prepared to provide evidence of purchase date, proof of purchase, model number, and date code of your product, part number and defective part. Register your product within ten days to ensure your warranty. You must pay all expenses incurred in obtaining performance of any obligation under this limited warranty, including transportation, postage, and other incidental service costs. If defective part or parts are requested by Customer Service Center, you must make the product available to us free and clear of all liens and other encumbrances. reserves the right to change prices, specifications and designs and to discontinue models without notice and without incurring obligations.

These limits are designed to provide reasonable protection against harmful interference in a residential installation. This equipment generates, uses, and can radiate radio frequency energy and ,if not installed and used in accordance with the instruction manual, might cause harmful interference to radio communications.

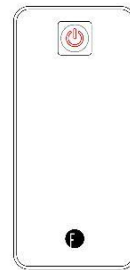
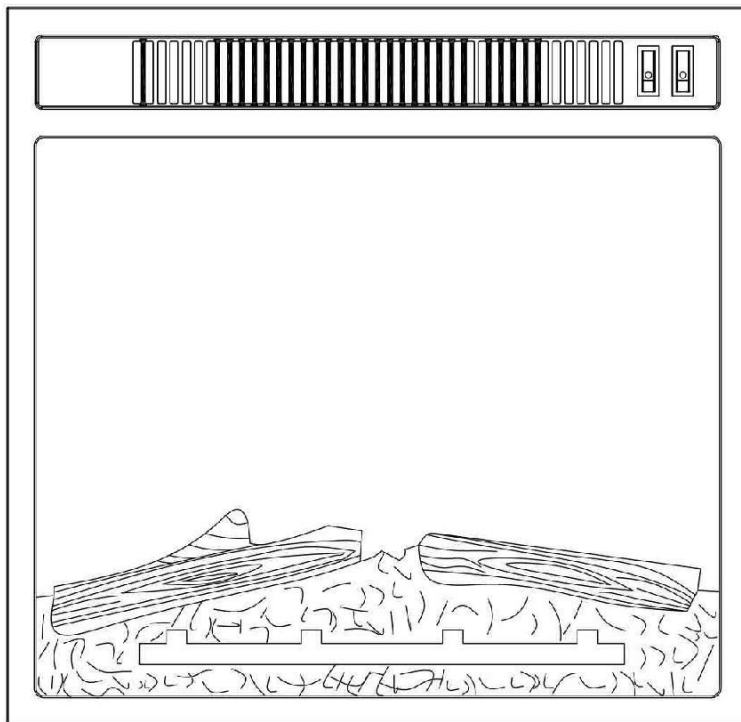
However, there is no guarantee that interference will not occur in a particular installation. If this equipment does not cause harmful interference to radio or television reception, which can be determined by turning the equipment off and on, the user is encouraged to try to correct the interference by one or more of the following measures:

- Reorient or relocate the receiving antenna
- Increase the separation between the equipment and receiver
- Connect the equipment into an outlet on a circuit different from that to which the receiver is connected.
- Consult the dealer or an experienced radio/TV technician for help.

The Remote Control requires 1 Lithium Coin Cell Battery (size CR2025), which is included.

- DO NOT mix old and new batteries.
- DO NOT use rechargeable silver oxide cell batteries with Remote control unit
- DO NOT mix alkaline, standard(Carbon-Zinc), or rechargeable(Nickel-Cadmium) batteries.
- DO NOT dispose of batteries in fire. Improper disposal may cause batteries to leak or explode.

# Manuel d'utilisation



# INSTRUCTIONS IMPORTANTES DE SÉCURITÉ

**AVERTISSEMENT : Toute utilisation de cet appareil autre que celle recommandée par le fabricant dans le présent manuel d'utilisation peut provoquer un incendie, des brûlures, une électrocution et/ou d'autres blessures graves, voire mortelles.**

Lors de l'utilisation d'un appareil électrique, il faut toujours prendre des précautions de base pour éviter les risques d'incendie, d'électrocution et de blessures, notamment les suivantes :

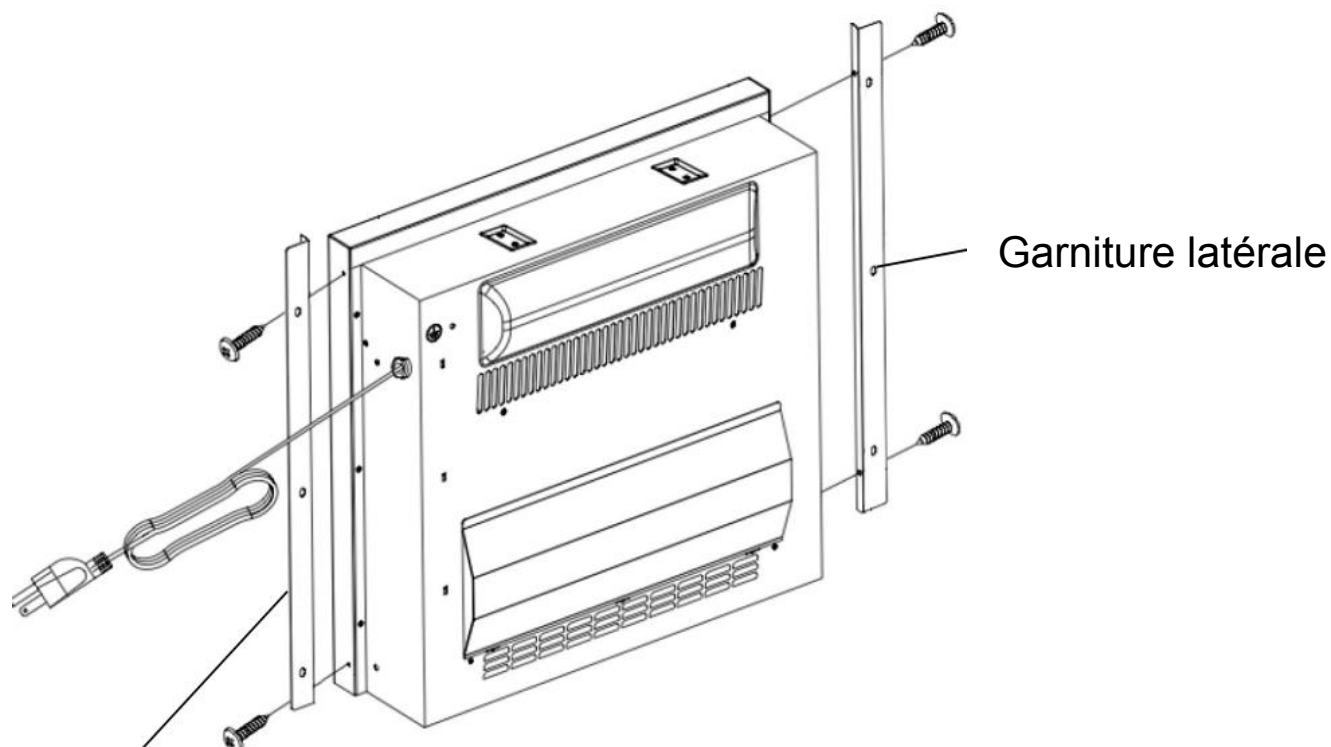
1. **Lisez toutes les instructions avant d'utiliser cet appareil.**
2. Cet appareil est chaud lorsqu'il est utilisé. Pour éviter les brûlures, évitez tout contact entre la peau nue et la surface chaude. Si l'appareil en est pourvu, utilisez les poignées pour le déplacer. Maintenez les matériaux combustibles, tels que les meubles, les oreillers, la literie, les papiers, les vêtements, les rideaux, etc. à une distance d'au moins 0,9 mètre de l'avant de l'appareil. Éloignez tous les objets des côtés et de l'arrière de l'appareil.
3. Il convient d'être extrêmement prudent lorsque l'appareil est utilisé par ou à proximité d'enfants ou de personnes en situation d'invalidité, et lorsque l'appareil est laissé en fonctionnement sans surveillance.
4. Débranchez toujours l'appareil lorsqu'il n'est pas utilisé. **Cet appareil doit être utilisé sous surveillance et ne doit pas être laissé en marche sans surveillance.**
5. Ne pas faire fonctionner un appareil dont le câble ou la fiche sont endommagés ou si l'appareil fonctionne mal, est tombé ou a été endommagé de quelque manière que ce soit. Retourner l'appareil à un centre de service agréé pour examen, réglage ou réparation électrique ou mécanique.
6. Ne pas utiliser à l'extérieur.
7. Cet appareil n'est pas destiné à être utilisé dans les salles de bains, les buanderies et autres lieux intérieurs similaires. Ne jamais placer l'appareil dans un endroit où il pourrait tomber dans une baignoire ou un autre récipient d'eau.
8. Ne pas placer le câble sous la moquette. Ne pas couvrir le câble d'alimentation avec des tapis, des patins ou des revêtements de sol similaires. Placez le câble à l'écart des zones de circulation et à un endroit où l'on ne risque pas de trébucher sur le câble.
9. Pour débrancher l'appareil, mettez toutes les commandes sur « OFF », puis retirez la fiche de la prise électrique.
10. Ne brancher l'appareil qu'à une prise correctement mise à la terre.
11. N'insérez pas ou ne laissez pas pénétrer de corps étrangers dans les ouvertures de ventilation ou d'évacuation, car cela pourrait provoquer un choc électrique ou un incendie, ou endommager l'appareil. d'incendie ou d'endommager l'appareil.
12. Pour éviter tout risque d'incendie, n'obstruez pas les entrées et sorties d'air de quelque manière que ce soit. N'utilisez pas l'appareil sur des surfaces molles, comme un lit, où les ouvertures risquent d'être obstruées.
13. Tous les appareils électriques contiennent des pièces chaudes, arquées ou produisant des étincelles. Ne pas utiliser dans des endroits où de l'essence, de la peinture ou des liquides inflammables sont utilisés ou stockés.
14. Utilisez cet appareil uniquement de la manière décrite dans ce manuel. Toute autre utilisation non recommandée par le fabricant peut provoquer un incendie, une électrocution ou des blessures.
15. **Il est fortement recommandé d'utiliser la prise de courant de 15 ampères uniquement pour le foyer électrique.**  
Le partage de la prise avec un autre appareil électronique pourrait créer une surcharge et endommager la prise et les appareils électriques à long terme.
16. Évitez d'utiliser une rallonge car celle-ci peut surchauffer et provoquer un risque d'incendie. Toutefois, si vous devez utiliser une rallonge, elle doit être d'un calibre minimum de 14AWG et d'une puissance nominale d'au moins 1875 Watts. La rallonge doit être un cordon à 3 broches avec une prise de terre et une connexion de cordon et ne doit pas dépasser 20 PI (6m) de longueur.
17. Lors du transport ou du stockage de l'appareil, veillez à ce que l'appareil et le câble d'alimentation/la fiche soient secs, à l'abri des vibrations excessives et à l'écart des sources de chaleur afin d'éviter tout risque d'incendie, d'électrocution ou de blessure.
18. N'essayez pas de brûler du bois ou d'autres matériaux dans cet appareil.
19. Une fois installé, l'appareil doit être mis à la terre et connecté conformément aux codes en vigueur.

Canada : CSA C22.1, Code canadien de l'électricité  
ÉTATS-UNIS : ANSI/NFPA NO. 70, Code national de l'électricité

## CONSERVEZ CES INSTRUCTIONS

# SCONTENU DU CARTON

---



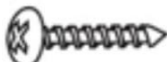
Garniture latérale

Insert

Description	Quantité
Garniture latérale	2
Insert	1

## LISTE DE QUINCAILLERIE

---

Description	Quantité	Image
Vis	10	

## SPÉCIFICATIONS DU PRODUIT

---

Tension	120V - 60Hz
Watts	1500 Watts

# SMODE D'EMPLOI

Lisez toutes les instructions et tous les avertissements avant d'utiliser l'appareil.

Assurez-vous que toutes les commandes sont en mode « OFF » (ARRÊT) avant de brancher l'appareil sur une prise électrique correctement mise à la terre.

Cet appareil est conçu pour une utilisation en 120 Volts. L'appareil est équipé d'une fiche à trois broches avec mise à la terre (figure 1.A). Si votre prise électrique n'a que 2 fentes (Figure 1.B), vous devrez utiliser un adaptateur (Figure 1.C) pour passer d'un câble d'alimentation à 3 broches à une prise à 2 fentes. La fiche verte de mise à la terre qui sort de l'adaptateur doit être solidement connectée à une prise mise à la terre permanente, telle qu'une boîte de sortie correctement mise à la terre. L'adaptateur ne doit être utilisé que si une prise à 3 fentes n'est pas disponible.

**NOTE : L'utilisation d'adaptateurs n'est pas autorisée au Canada.**

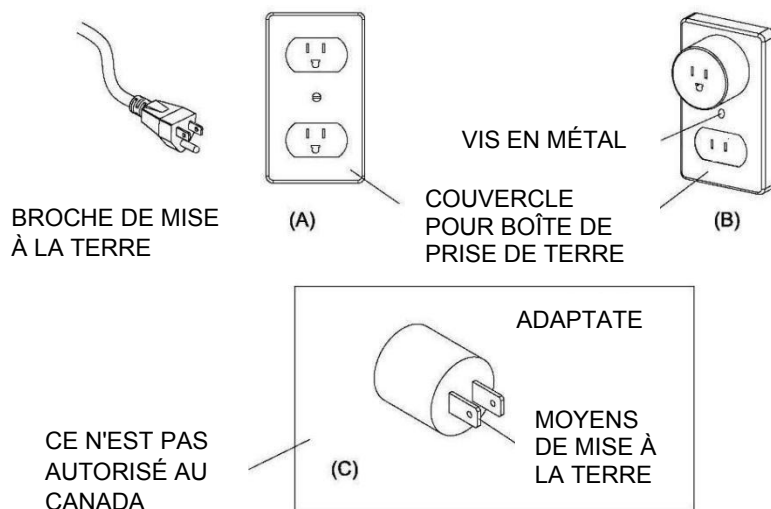
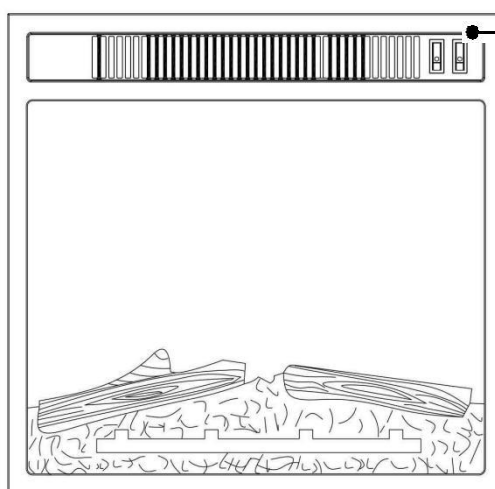


Figure 1

Un circuit de 15 ampères est nécessaire pour faire fonctionner cet appareil. Si le disjoncteur se déclenche lorsque l'appareil est en marche, vous devrez peut-être déplacer l'appareil ou débrancher d'autres appareils qui se trouvent sur le même circuit.

**Le panneau de commande principal est situé dans le coin supérieur droit de la face avant (voir figure 2).**



À droite : ON / OFF (Marche / Arrêt) de l'alimentation  
À gauche : ON / OFF (Marche / Arrêt) du chauffage

Figure 2

# MODE D'EMPLOI

Utilisation du panneau de commande :

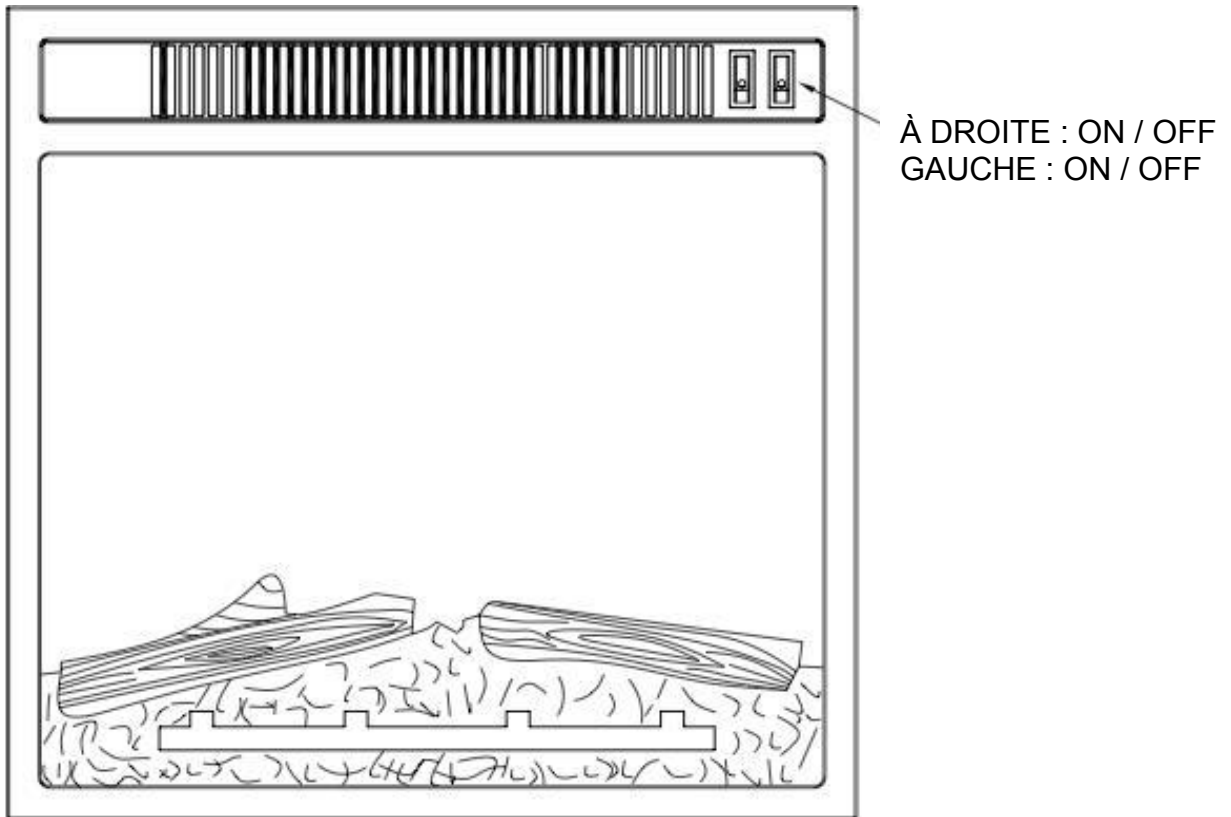


Figure 3

Interrupteur principal (figure 3) :

- ◆ Pousser le bouton vers le bas en position « ON » pour mettre en marche.
- ◆ **Veillez vous assurer que le panneau de commande est en position « ON » (MARCHE). Vous pouvez ensuite appuyer sur le bouton de chauffage pour mettre en marche la fonction correspondan**
- ◆ Pousser le bouton vers le bas en position « OFF » pour arrêter toutes les fonctions.

Commande du chauffage (figure 3) :

1. Pousser le bouton vers le bas pour mettre en marche le réglage de la chaleur.
2. Pousser une deuxième fois pour éteindre le chauffage
3. Foyer électrique avec chauffage à quartz infrarouge.



# MODE D'EMPLOI

Ce chauffage est équipé d'une télécommande. Voir ci-dessous le mode d'emploi de la télécommande :

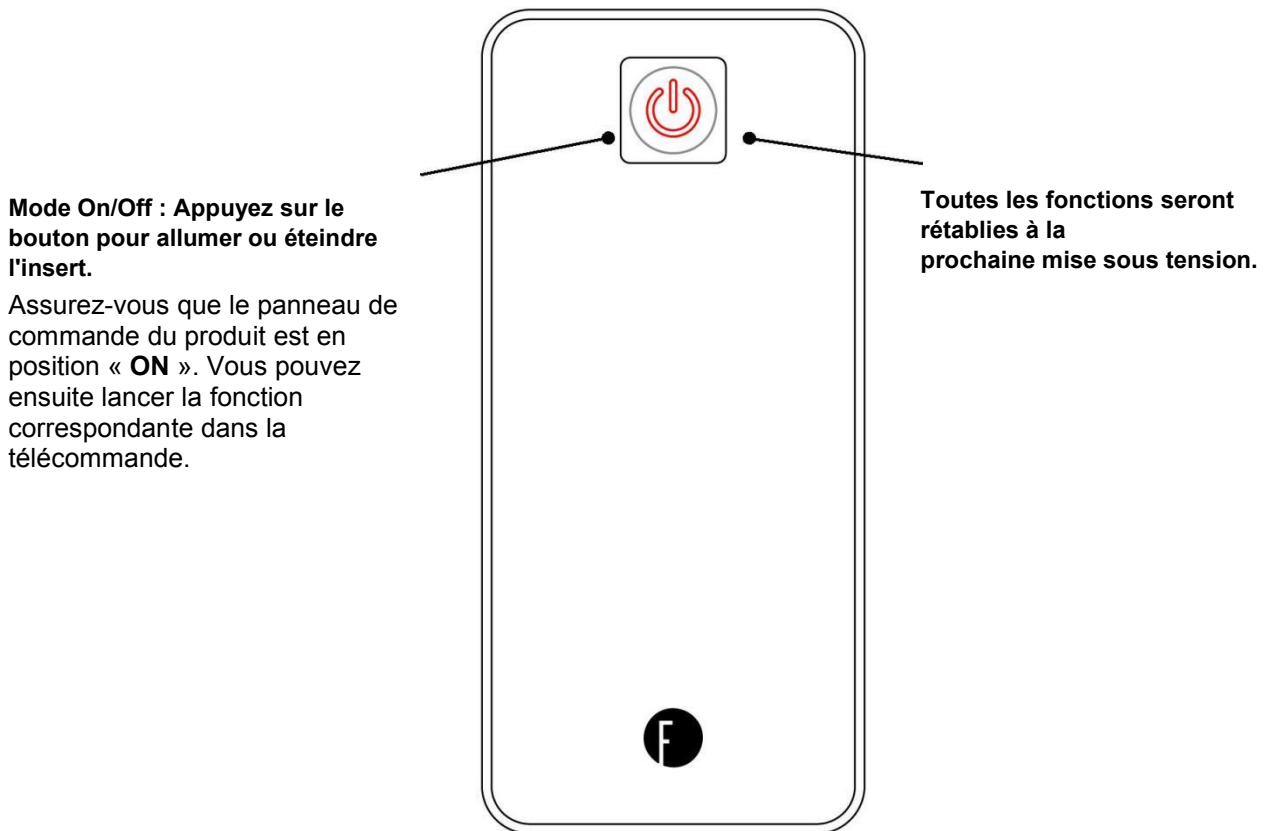


Figure 4

La télécommande est livrée prémontée avec une pile en état de marche et un film plastique isolant. Veuillez retirer le film plastique isolant de la pile avant de commencer à utiliser la télécommande. Si la télécommande ne fonctionne pas, remplacez la pile par une pile du type indiqué au dos de la télécommande.

Les ampoules peuvent se détacher pendant le transport. Si l'effet de flamme simulée est faible ou ne fonctionne pas correctement au début, veuillez vous assurer que les ampoules sont correctement fixées dans les douilles (veuillez serrer les ampoules avec les doigts - ne pas trop les serrer).

Lorsque vous mettez le chauffage en marche pour la première fois, il se peut qu'il dégage une odeur légère mais inoffensive. Cette odeur est due à l'échauffement de certaines huiles ou graisses lors de la première utilisation de l'appareil. Cette odeur est parfaitement inoffensive et cessera rapidement - elle ne se reproduira pas après la première utilisation de l'appareil.

## REMARQUE :

Cet appareil est équipé d'un dispositif de protection contre la surchauffe. Si l'appareil commence à surchauffer pour quelque raison que ce soit, toutes les fonctions de l'appareil seront automatiquement désactivées. L'appareil devra être réinitialisé avant de pouvoir continuer à être utilisé. Pour réinitialiser le dispositif de protection contre la surchauffe, éteignez toutes les commandes et débranchez l'appareil. Attendez 10 minutes, rebranchez l'appareil et mettez-le en marche.

# ENTRETIEN

**AVERTISSEMENT :** Avant d'effectuer toute opération d'entretien sur cet appareil, mettez toutes les commandes en position « OFF » (ARRÊT), puis débranchez l'appareil. Laissez l'appareil éteint pendant au moins 10 minutes avant d'effectuer un entretien, afin de permettre à tous les composants de refroidir correctement.

## Remplacement des ampoules :

1. Assurez-vous que toutes les commandes sont éteintes, que l'appareil est débranché et que les ampoules sont froides au toucher.
2. Portez des gants en latex pour éviter que la graisse ou l'huile que vous avez sur les mains ne se transfère aux ampoules.
3. Retirez les 3 vis du panneau de l'ampoule. (Figure 4.A)
4. Pliez et retirez le panneau de l'ampoule (figure 4.B).
5. Vous verrez deux ampoules de 40 W sous l'ensemble de bûches. (Figure 4.C)
6. Retirez l'ampoule grillée et remplacez-la par une ampoule neuve. **AVERTISSEMENT : NE PAS DEPASSER LA PUISSANCE RECOMMANDEE POUR L'AMPOULE.** Veuillez serrer les ampoules à la main uniquement - ne pas trop les serrer.
7. Remettez le panneau d'ampoules dans sa position d'origine et serrez le panneau arrière à l'aide de 3 vis (figure 4.D).

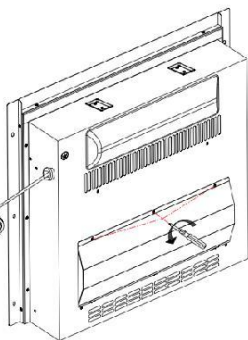


Figure 4.A

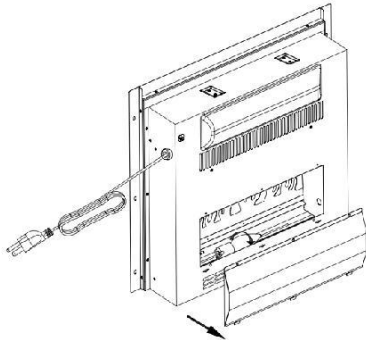


Figure 4.B

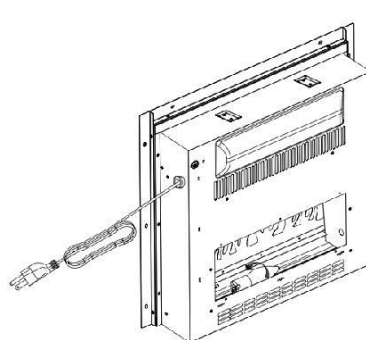


Figure 4.C

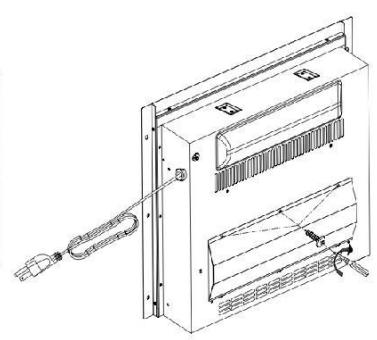


Figure 4.D

## Nettoyage :

1. Pour retirer le couvercle de la lampe du couvercle arrière, utilisez un chiffon propre et sec.
2. Pour éliminer les traces de doigts ou autres marques sur la vitre, utilisez un chiffon propre et humide. Ne vaporisez pas de nettoyant pour vitres ou d'autres liquides directement sur la vitre.
3. Nettoyez les surfaces métalliques à l'aide d'un chiffon propre et humide en veillant à ne pas pousser la poussière ou les débris dans les orifices d'entrée ou de sortie d'air.
4. N'utilisez pas de nettoyants abrasifs et ne vaporisez pas de liquides sur les parties de l'appareil.
5. Il est fortement recommandé de nettoyer et d'aspirer périodiquement l'unité de ventilation et de chauffage afin d'éviter toute accumulation de saletés ou de corps étrangers.

Lorsque vous mettez le chauffage en marche pour la première fois, il se peut qu'il dégage une odeur légère mais inoffensive. Cette odeur est due à l'échauffement de certaines huiles ou graisses lors de la première utilisation de l'appareil. Cette odeur est parfaitement inoffensive et cessera rapidement - elle ne se reproduira pas après la première utilisation de l'appareil.

## REMARQUE :

Cet appareil est équipé d'un dispositif de protection contre la surchauffe. Si l'appareil commence à surchauffer pour quelque raison que ce soit, toutes les fonctions de l'appareil seront automatiquement désactivées. L'appareil devra être réinitialisé avant de pouvoir continuer à être utilisé. Pour réinitialiser le dispositif de protection contre la surchauffe, éteignez toutes les commandes et débranchez l'appareil. Attendez 10 minutes, rebranchez l'appareil et mettez-le en marche.

# DÉPANNAGE

**AVERTISSEMENT : Éteignez l'appareil, débranchez-le et laissez-le refroidir pendant au moins 10 minutes avant de procéder à une réparation. Seul un professionnel qualifié doit tenter d'entretenir ou de réparer l'appareil.**

PROBLÈME	CAUSES POSSIBLES	SOLUTION
L'effet de flamme simulée est faible ou non présenté.	<ol style="list-style-type: none"><li>1. Les ampoules sont grillées.</li><li>2. La « barre de flamme » s'est détachée de son support.</li><li>3. Le moteur de la « barre de flamme » ne fonctionne pas.</li></ol>	<ol style="list-style-type: none"><li>1. Inspectez les ampoules et remplacez-les si nécessaire. (voir la section Entretien de ce manuel)</li><li>2. Reportez-vous à la section « Remplacement des ampoules » (Fig. 4A~Fig.4C) pour retirer d'abord les ampoules, puis vérifiez l'intérieur de la boîte de foyer pour fixer l'extrémité de la « barre de flamme » dans le support.</li></ol>
L'appareil s'éteint et ne se rallume pas.	<ol style="list-style-type: none"><li>1. Le dispositif de protection contre la surchauffe de l'appareil s'est déclenché.</li><li>2. Le disjoncteur de la maison a été déclenché.</li></ol>	<ol style="list-style-type: none"><li>1. Éteignez toutes les commandes, débranchez l'appareil, laissez-le refroidir pendant au moins 10 minutes, puis branchez-le et redémarrez.</li><li>2. Réinitialisez le disjoncteur de la maison</li></ol>
L'appareil ne s'allume pas lorsque l'on appuie sur le bouton « ON »	Le dispositif de protection contre la surchauffe de l'appareil s'est déclenché.	Eteignez toutes les commandes, débranchez l'appareil, laissez-le refroidir pendant au moins 10 minutes, puis branchez-le et redémarrez.

**REMARQUE : Si vous rencontrez des difficultés, ne renvoyez pas ce produit au magasin. En cas de pièces manquantes, de problèmes de quincaillerie ou d'assemblage, veuillez contacter notre service clientèle au**

**Avertissement : Tout changement ou modification de cet appareil non expressément approuvé par la partie responsable de la conformité peut annuler le droit de l'utilisateur à utiliser l'équipement.**

**Note : Cet équipement a été testé et déclaré conforme aux limites imposées aux appareils numériques de classe B, conformément à la partie 15 des règles de la FCC. Ces limites sont conçues pour fournir une protection raisonnable contre les interférences nuisibles dans une installation résidentielle. Cet équipement génère, utilise et peut émettre des fréquences radio et, s'il n'est pas installé et utilisé conformément aux instructions, peut causer des interférences nuisibles aux communications radio. Cependant, il n'y a aucune garantie que des interférences ne se produiront pas dans une installation particulière.**

**Si cet équipement provoque des interférences nuisibles à la réception radio ou télévisée, ce qui peut être déterminé en allumant et en éteignant l'équipement, nous encourageons l'utilisateur à essayer de corriger les interférences en prenant une ou plusieurs des mesures suivantes :**

**--Réorienter ou déplacer l'antenne de réception.**

**--Espacer davantage l'équipement du récepteur.**

**--Brancher l'appareil sur une prise de courant située sur un circuit différent de celui sur lequel le récepteur est branché.**

**--Consulter le revendeur ou un technicien radio/TV expérimenté pour obtenir de l'aide.**

# GARANTIE LIMITÉE D'UN AN

---

La garantie limitée non transférable suivante s'applique uniquement à l'acheteur initial de ce produit. Ce produit est uniquement garanti contre les défauts de matériaux et de fabrication dans le cadre d'une utilisation normale et raisonnable et d'une installation correcte du produit pendant une période d'un (1) an à compter de la date d'achat.

Cette garantie est accordée au propriétaire initial, à condition que l'achat ait été effectué par l'intermédiaire d'un fournisseur agréé de la société. Toute réparation non autorisée, toute modification, toute mauvaise application, toute manipulation négligente, toute installation incorrecte, tout abus délibéré, tout accident ou toute mauvaise utilisation du produit annule la présente garantie. Cette garantie ne s'applique pas à l'usure normale. Cette garantie ne couvre pas les ampoules électriques. La durée de toutes les garanties implicites sur cette fin particulière est limitée à la durée d'un (1) an de la période de garantie expresse spécifiée ci-dessus.

En aucun cas, nous ne serons responsables des dommages accessoires ou indirects (y compris la perte de bénéfices) résultant de l'utilisation de ce produit. Certaines juridictions ne permettent pas de limiter la durée d'une garantie implicite ou n'autorisent pas la limitation ou l'exclusion des dommages accessoires ou indirects, de sorte que ces limitations de garantie implicite peuvent ne pas s'appliquer à vous. Cette garantie limitée vous confère des droits légaux spécifiques. Vous pouvez également bénéficier d'autres droits qui varient d'une juridiction à l'autre. La réparation ou le remplacement, au choix, d'un produit défectueux est votre seul recours dans le cadre de cette garantie limitée. En aucun cas la responsabilité maximale ne dépassera le prix d'achat du produit payé par le consommateur/acheteur.

Si des pièces de rechange sont nécessaires ou pour obtenir l'exécution de toute obligation au titre de la présente garantie limitée, veuillez téléphoner au Centre de service à la clientèle.

Soyez prêt à fournir la date d'achat, la preuve d'achat, le numéro de modèle et le code de date de votre produit, le numéro de pièce et la pièce défectueuse. Enregistrez votre produit dans les dix jours pour bénéficier de la garantie. Vous devez payer tous les frais encourus pour obtenir l'exécution de toute obligation au titre de la présente garantie limitée, y compris les frais de transport, d'affranchissement et autres frais de service accessoires. Si la ou les pièces défectueuses sont demandées par le Centre de service à la clientèle, vous devez mettre le produit à notre disposition, libre et dégagé de tout attachement ou autre encombrement. se réserve le droit de modifier les prix, les spécifications et les conceptions et d'abandonner des modèles sans préavis et sans encourir d'obligations.

Ces limites sont conçues pour fournir une protection raisonnable contre les interférences nuisibles dans une installation résidentielle. Cet équipement génère, utilise et peut émettre des fréquences radio et, s'il n'est pas installé et utilisé conformément au manuel d'instructions, peut causer des interférences nuisibles aux communications radio.

Cependant, il n'y a aucune garantie que des interférences ne se produiront pas dans une installation particulière. Si cet équipement ne provoque pas d'interférences nuisibles à la réception radio ou télévisée, ce qui peut être déterminé en éteignant et en allumant l'équipement, nous encourageons l'utilisateur à essayer de corriger les interférences par l'une ou plusieurs des mesures suivantes :

- Réorienter ou déplacer l'antenne de réception
- Espacer davantage l'équipement du récepteur
- Brancher l'appareil sur une prise de courant située sur un circuit différent de celui sur lequel le récepteur est branché.
- Consulter le revendeur ou un technicien radio/TV expérimenté pour obtenir de l'aide.

La télécommande nécessite une pile au lithium (taille CR2025), qui est incluse.

- NE PAS utiliser conjointement des piles usagées et des piles neuves.
- NE PAS utiliser de piles rechargeables à l'oxyde d'argent sur la télécommande.
- NE PAS utiliser des piles alcalines ou standard (carbone-zinc) avec des piles rechargeables (nickel-cadmium).
- NE PAS jeter les piles au feu. Une mise au rebut inappropriée peut entraîner une fuite ou une explosion des piles.