
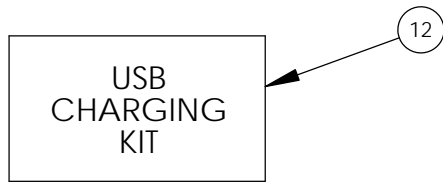
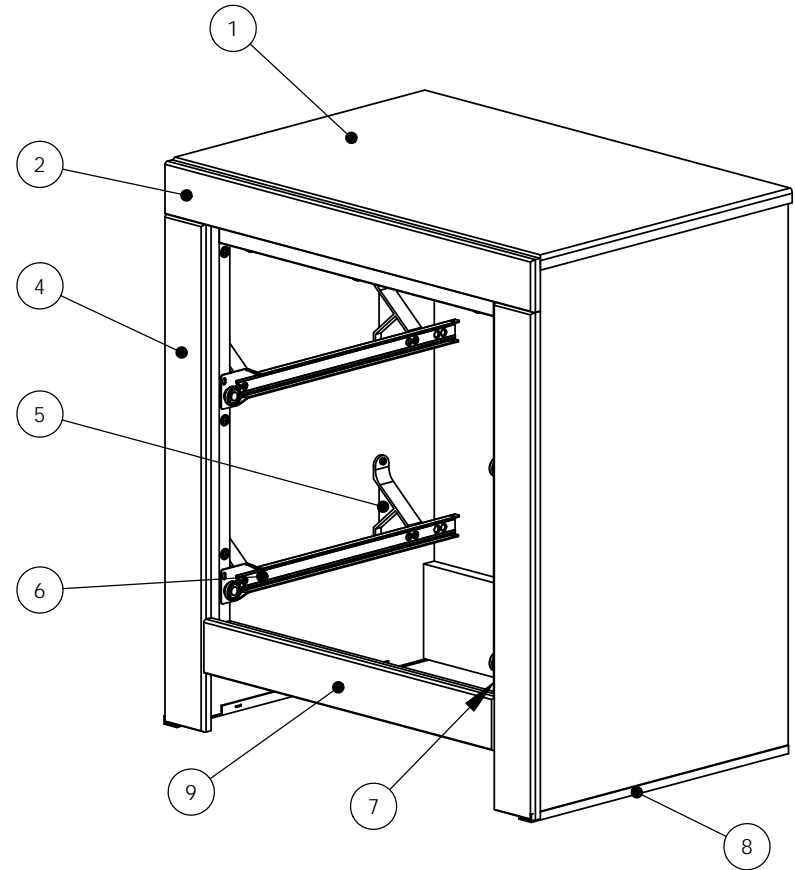
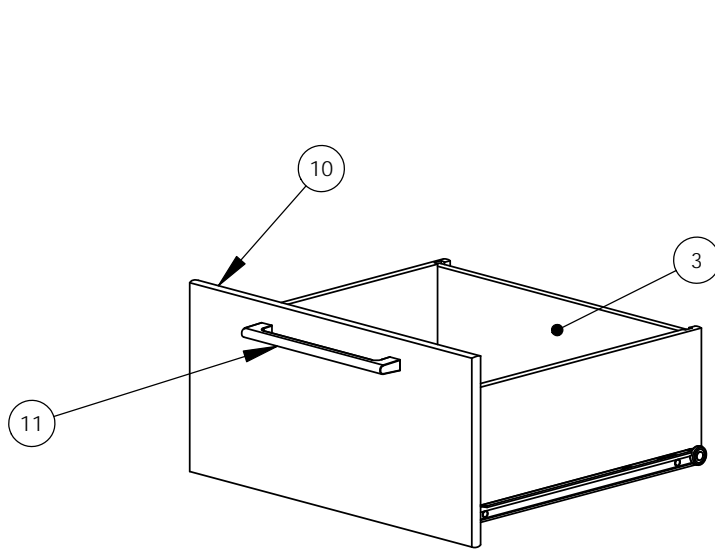
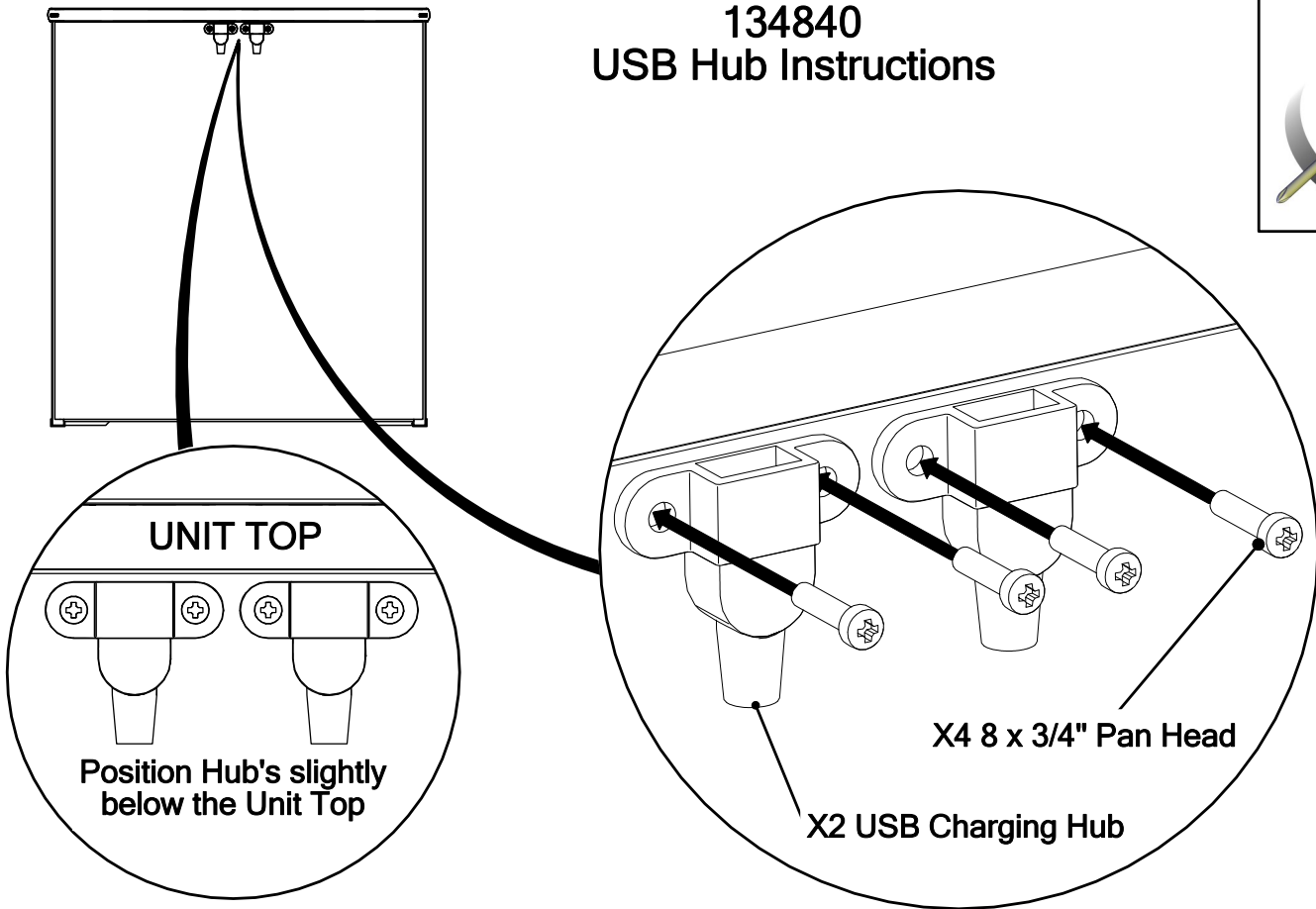
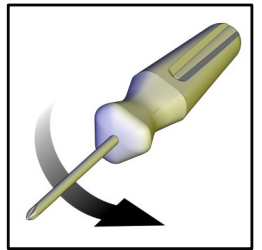


Item#	Qty	Description	MATERIAL
1	1	TOP ASSEMBLY	WOOD
2	1	MOULDING ASSEMBLY	WOOD
3	2	DRAWER ASSEMBLY	WOOD, METAL
4	2	PILASTER	WOOD
5	8	GLIDE SPACER	PLASTIC
6	2	LEFT CABINET GLIDE	METAL, PLASTIC
7	2	RIGHT CABINET GLIDE	METAL, PLASTIC
8	2	CHANNEL MOULDING	PLASTIC
9	1	BASESTRIP ASSEMBLY	WOOD
10	4	BLACK FELT PAD	FABRIC
11	2	HANDLE	METAL
12	1	USB CHARGING KIT	PLASTIC, METAL

Dwg#: 35041			
Scale: 1:12		TOLERANCES ARE: METRIC:..... +.5 / -.5mm DECIMAL:..... 0 / -.008" FRACTIONAL:..... 0/ -1/32" (UNLESS OTHERWISE SPECIFIED)	
Date: 11/9/2017		Desc: Night Stand	
Rev.	Description	Date	Cad/Eng



134840 USB Hub Instructions



134840 USB Hub Instructions

