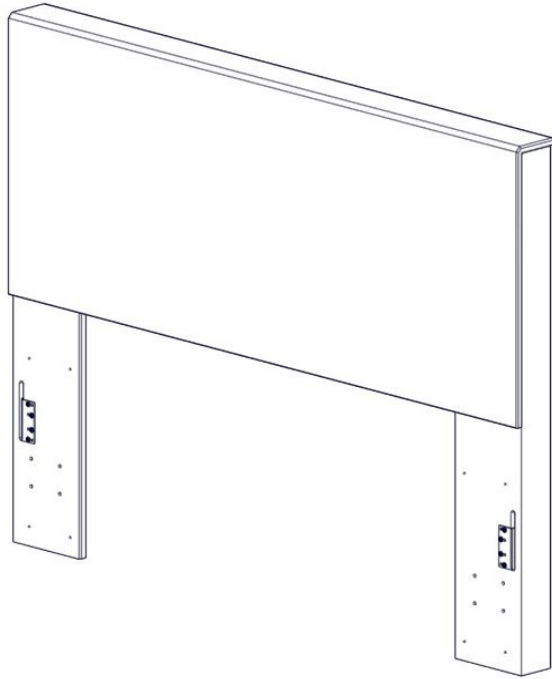
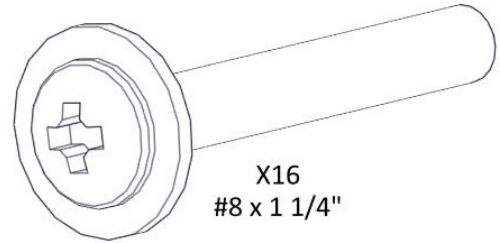


# 191613 Assembly Instructions

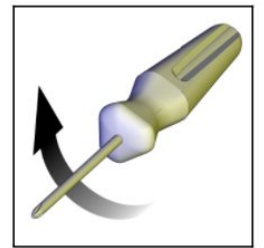
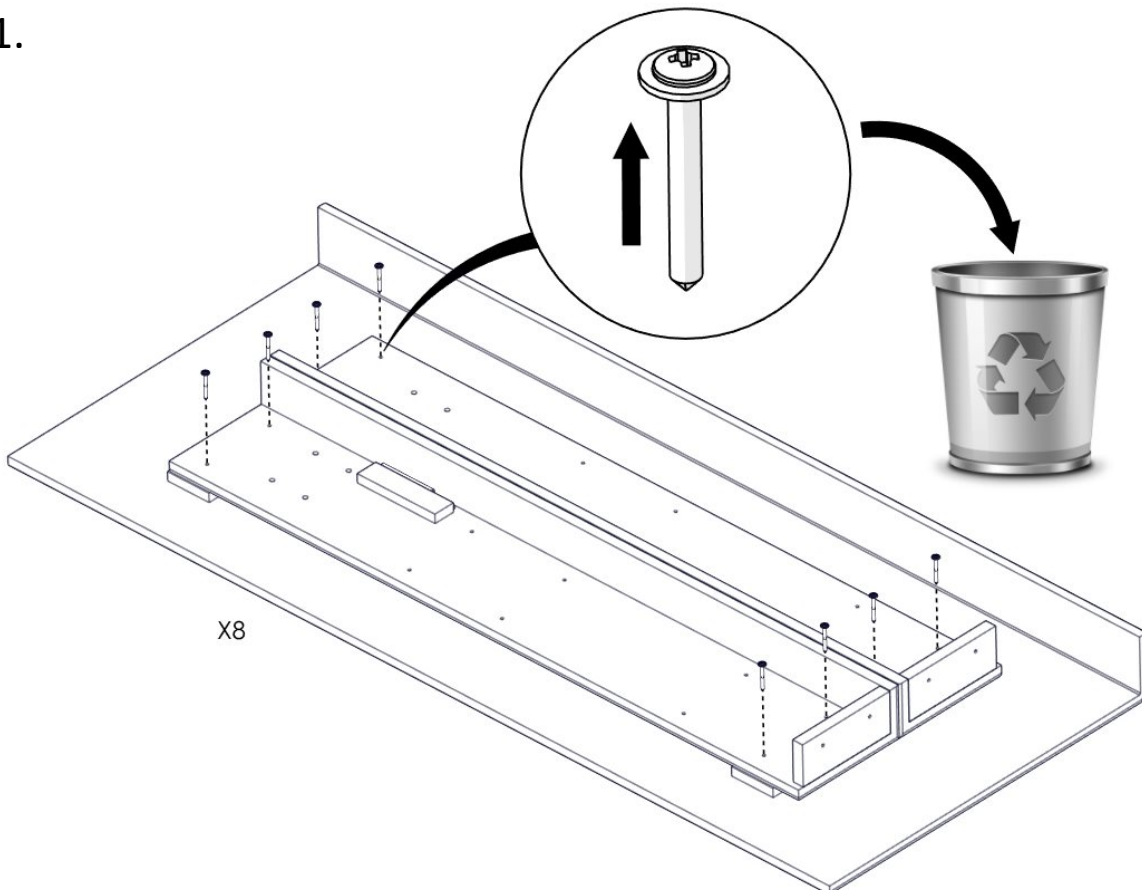


## Hardware Components

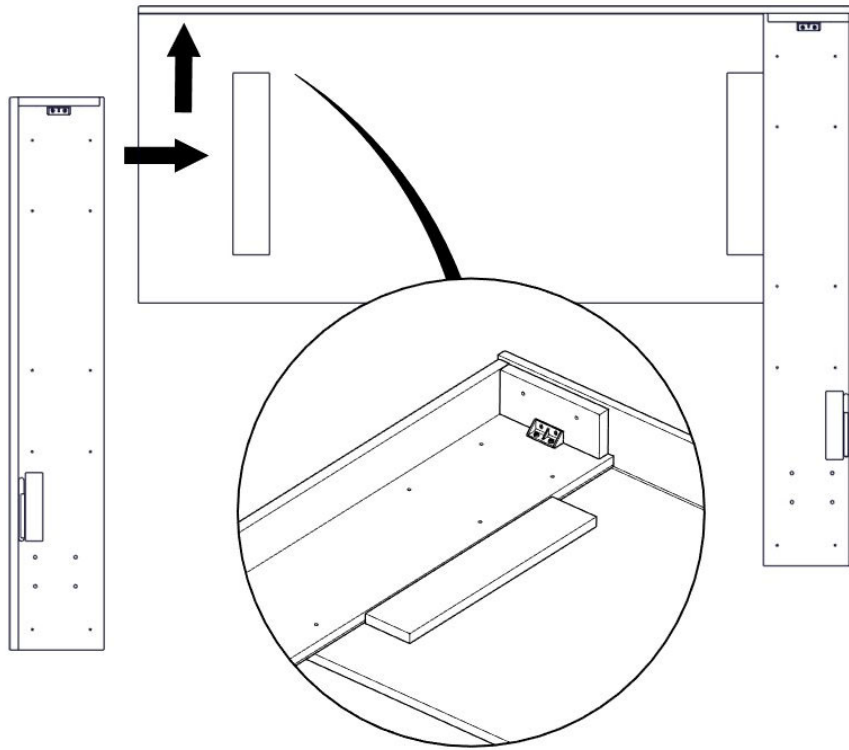
This bag contains small parts that present a choking hazard for children under three years of age. These parts are for adult assembly only and should be permanently affixed to the furniture. Any unused parts should be discarded properly.



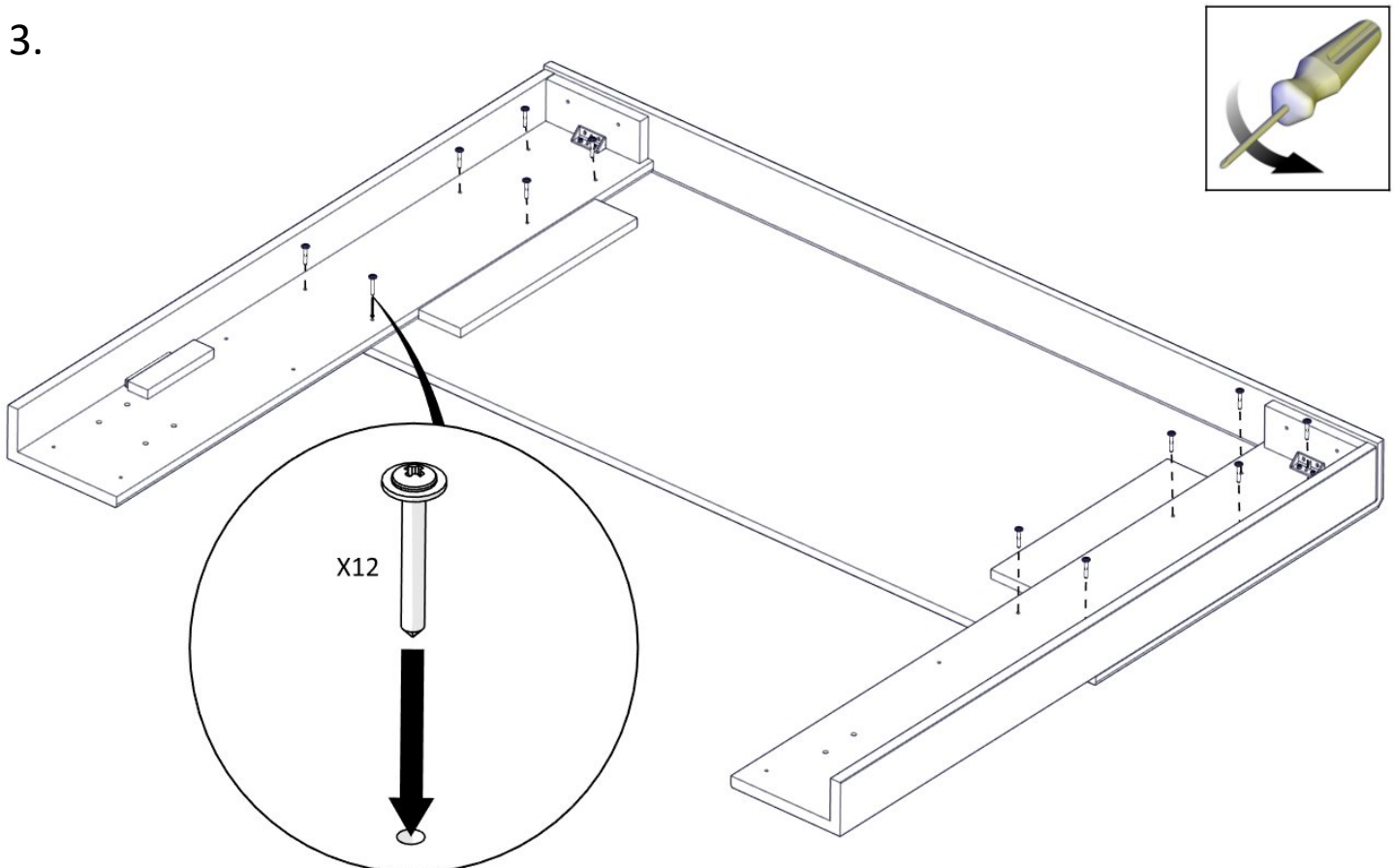
1.



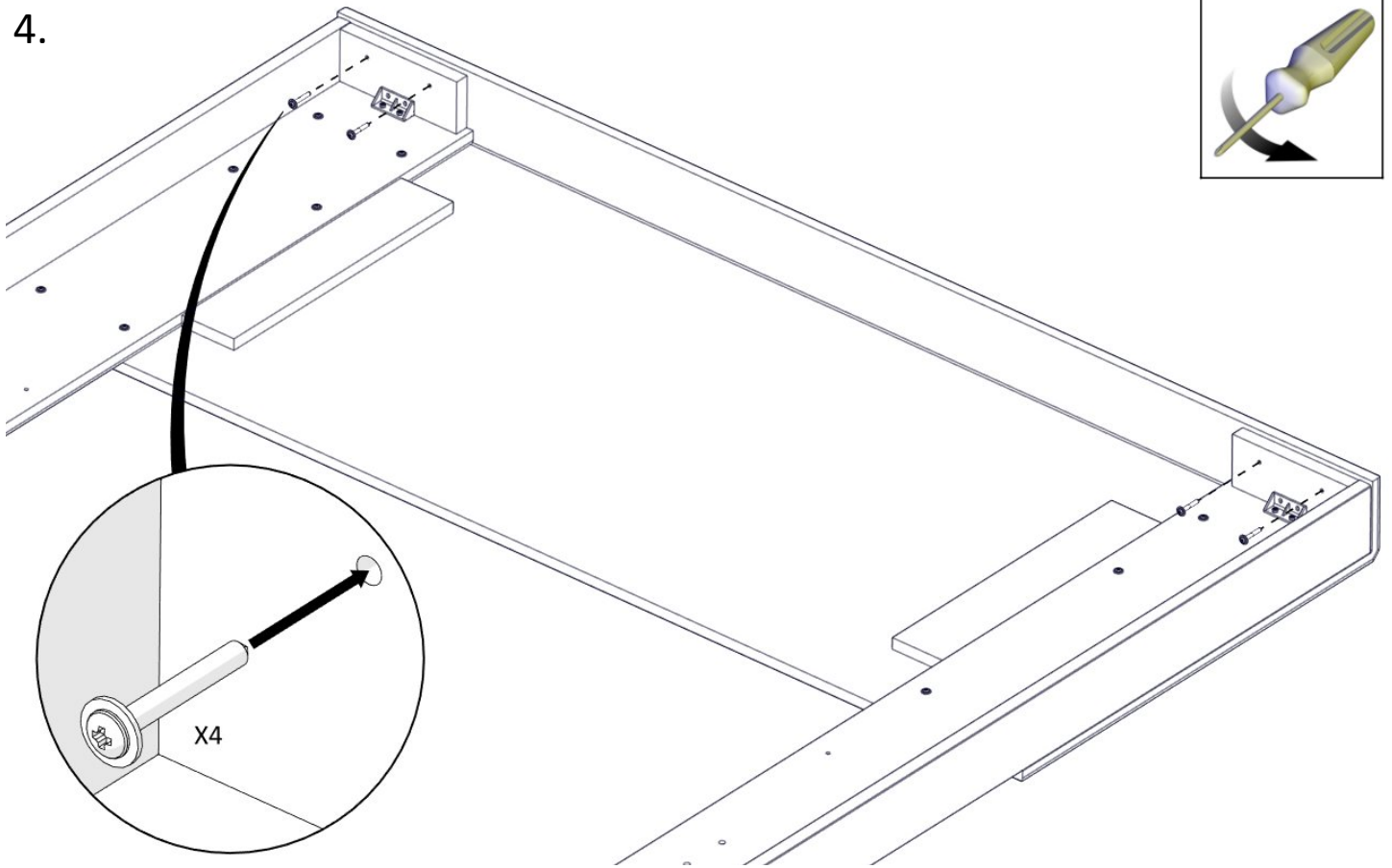
2.




3.

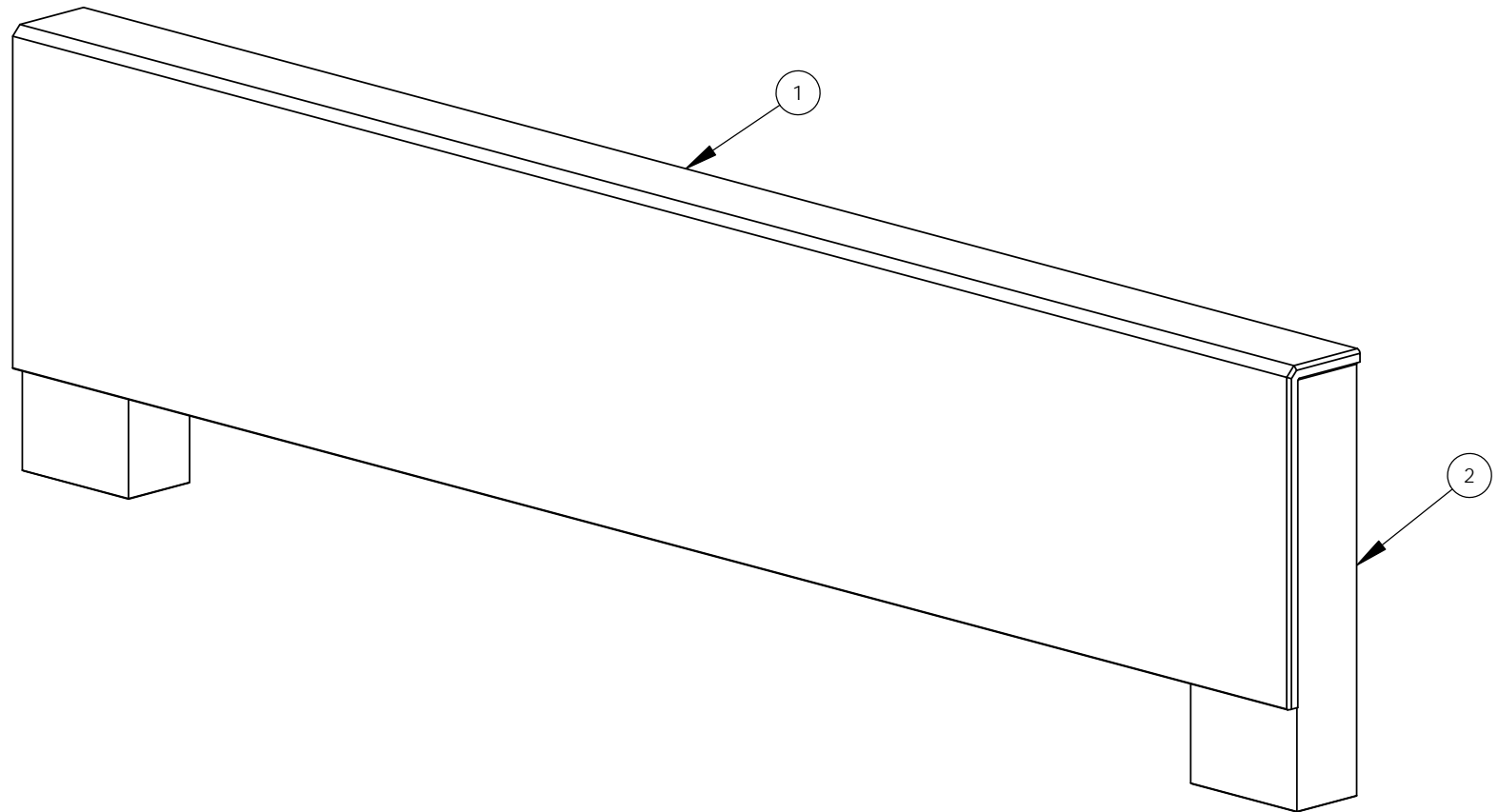


4.



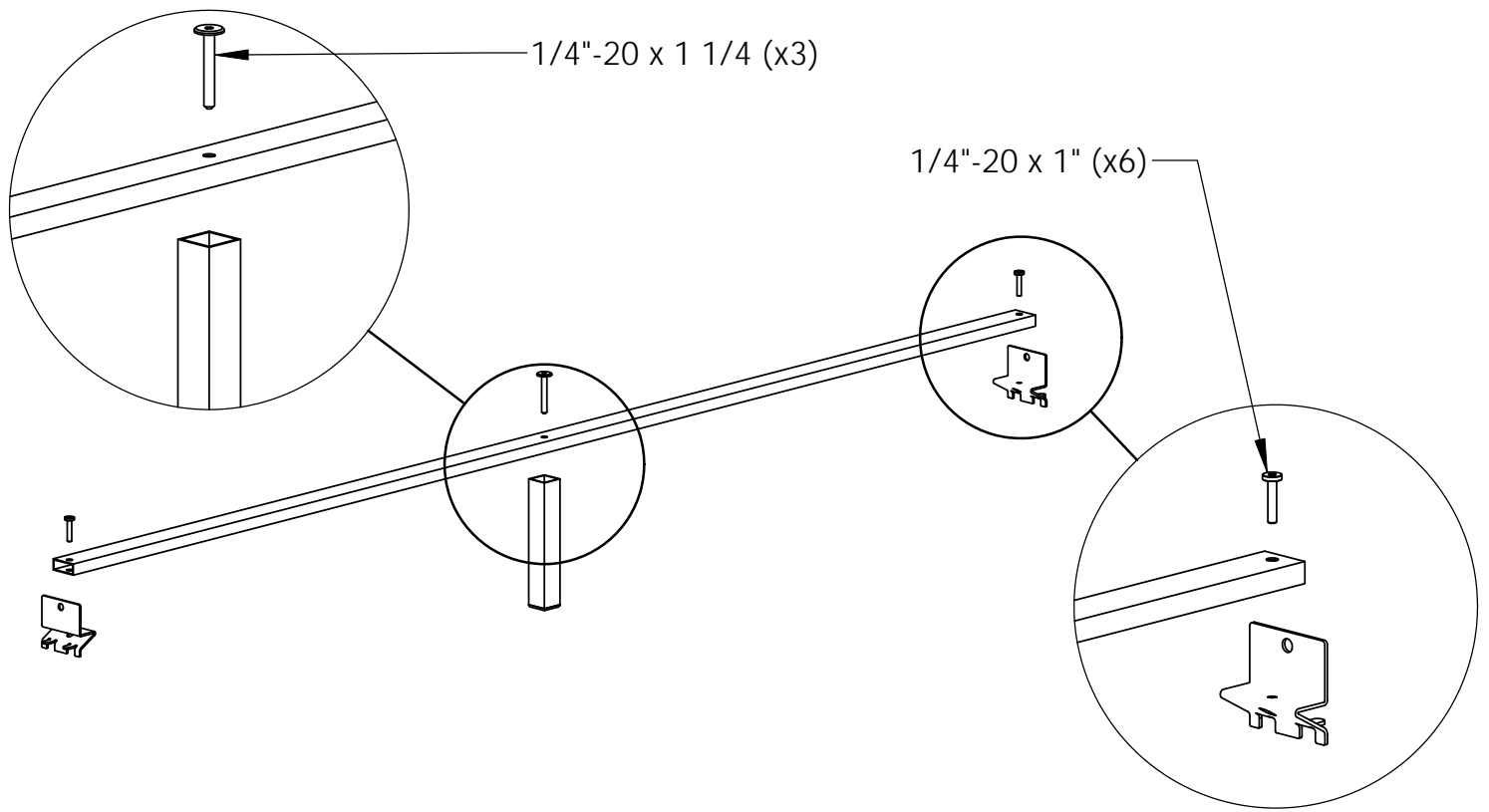
ITEM #	QTY.	DESCRIPTION	MATERIAL
1	1	TOP BACK RAIL	WOOD
2	2	BEDLOCK	METAL

Dwg#: <b>35032</b>			
Scale: 1:8		TOLERANCES ARE: METRIC..... +.5 / -.5mm DECIMAL..... 0 / -.008" FRACTIONAL..... +0/ -1/32" (UNLESS OTHERWISE SPECIFIED)	
Date: 11/13/2017		Desc: Footboard	
Rev.	Description	Date	Cad/Eng

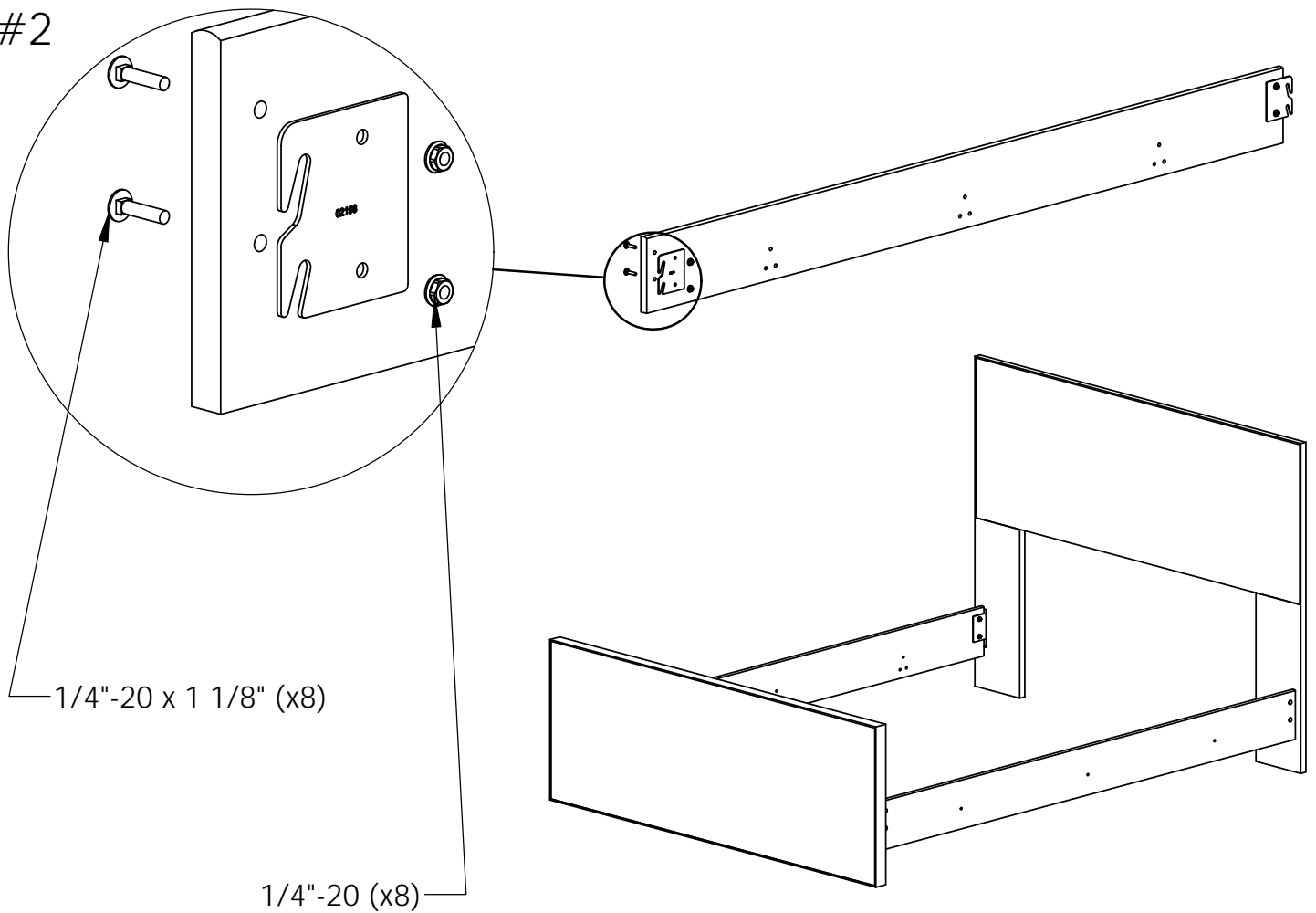


#1

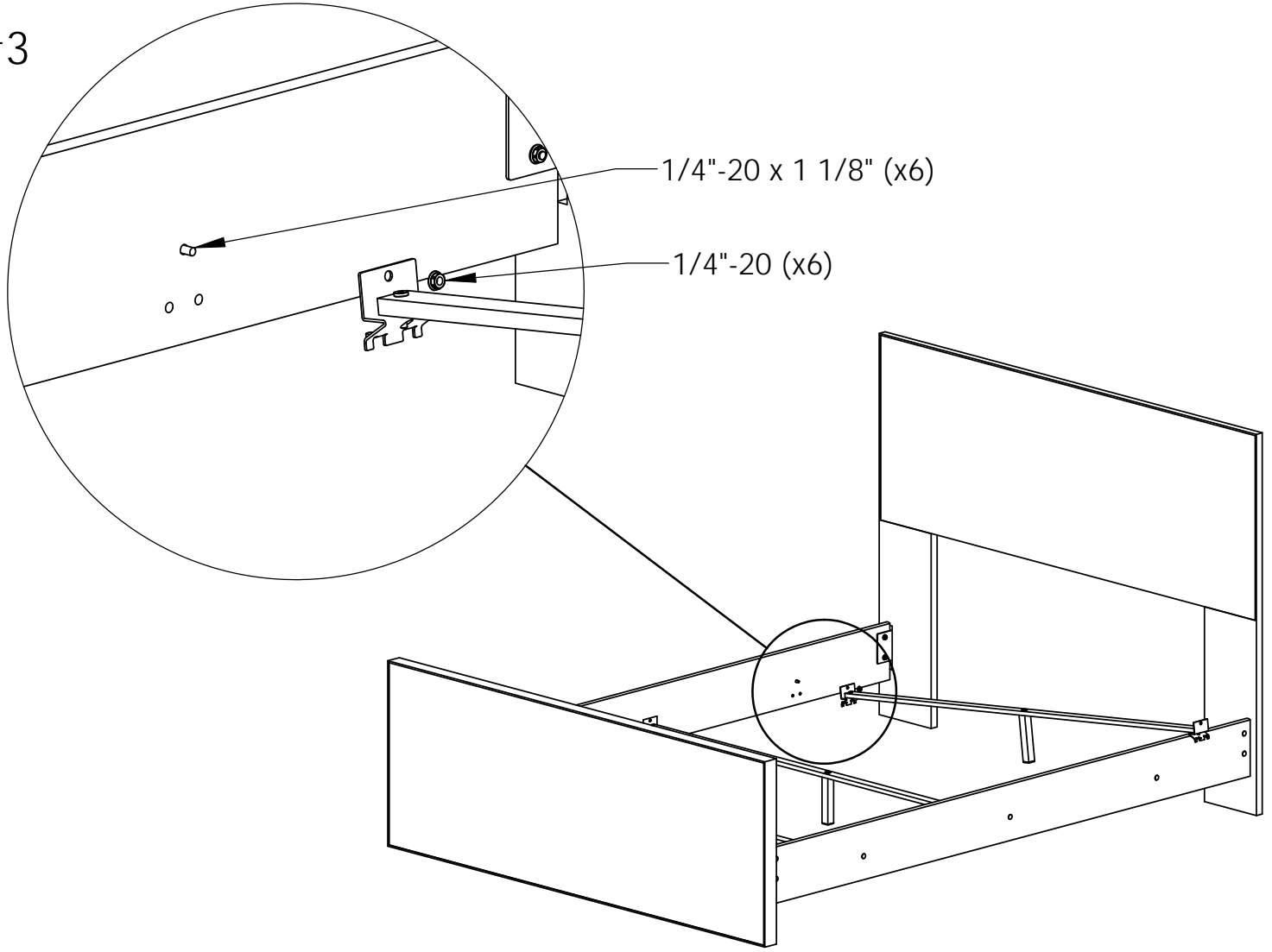
<b>DWG#: 161649</b>		5/19/2008	
Rev.	Description	Date	Cad/Eng



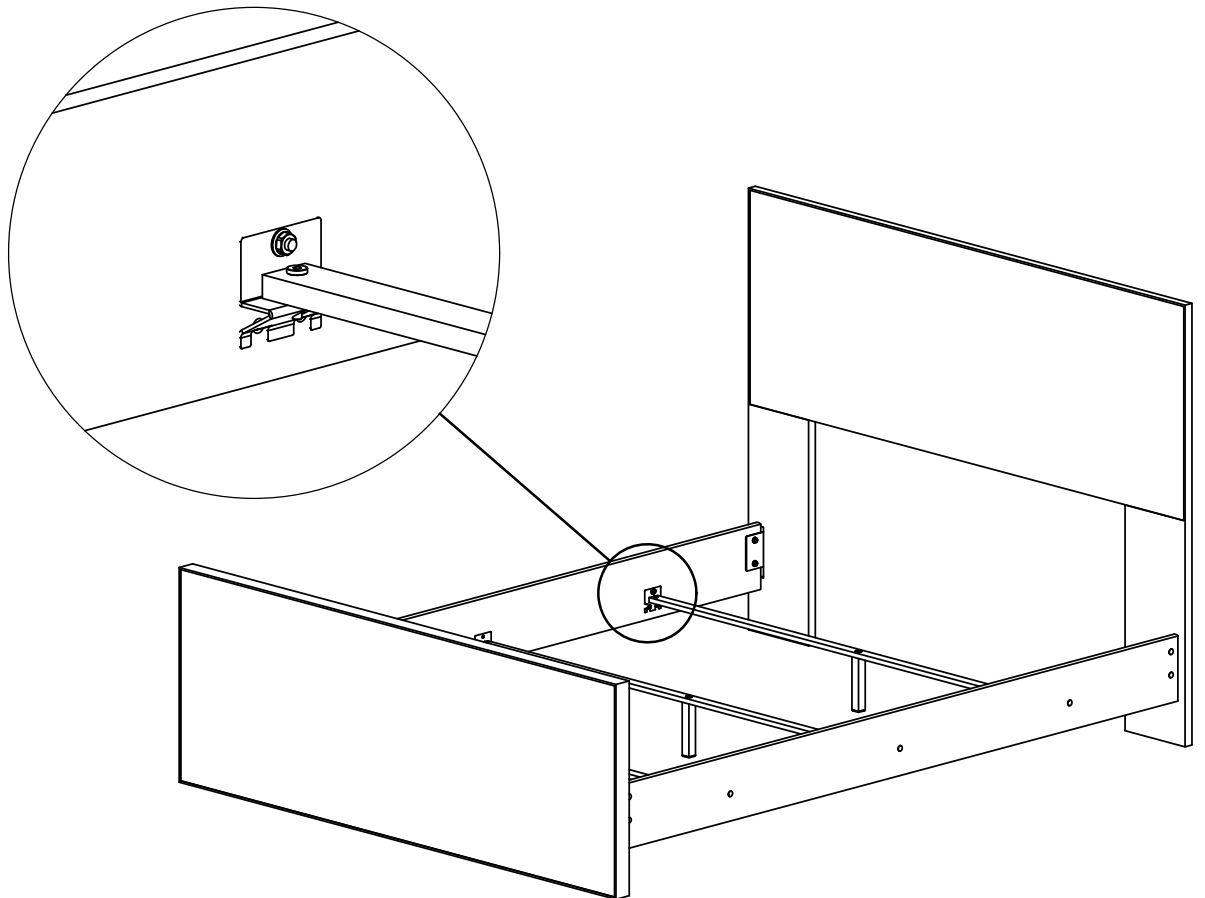
#2



#3



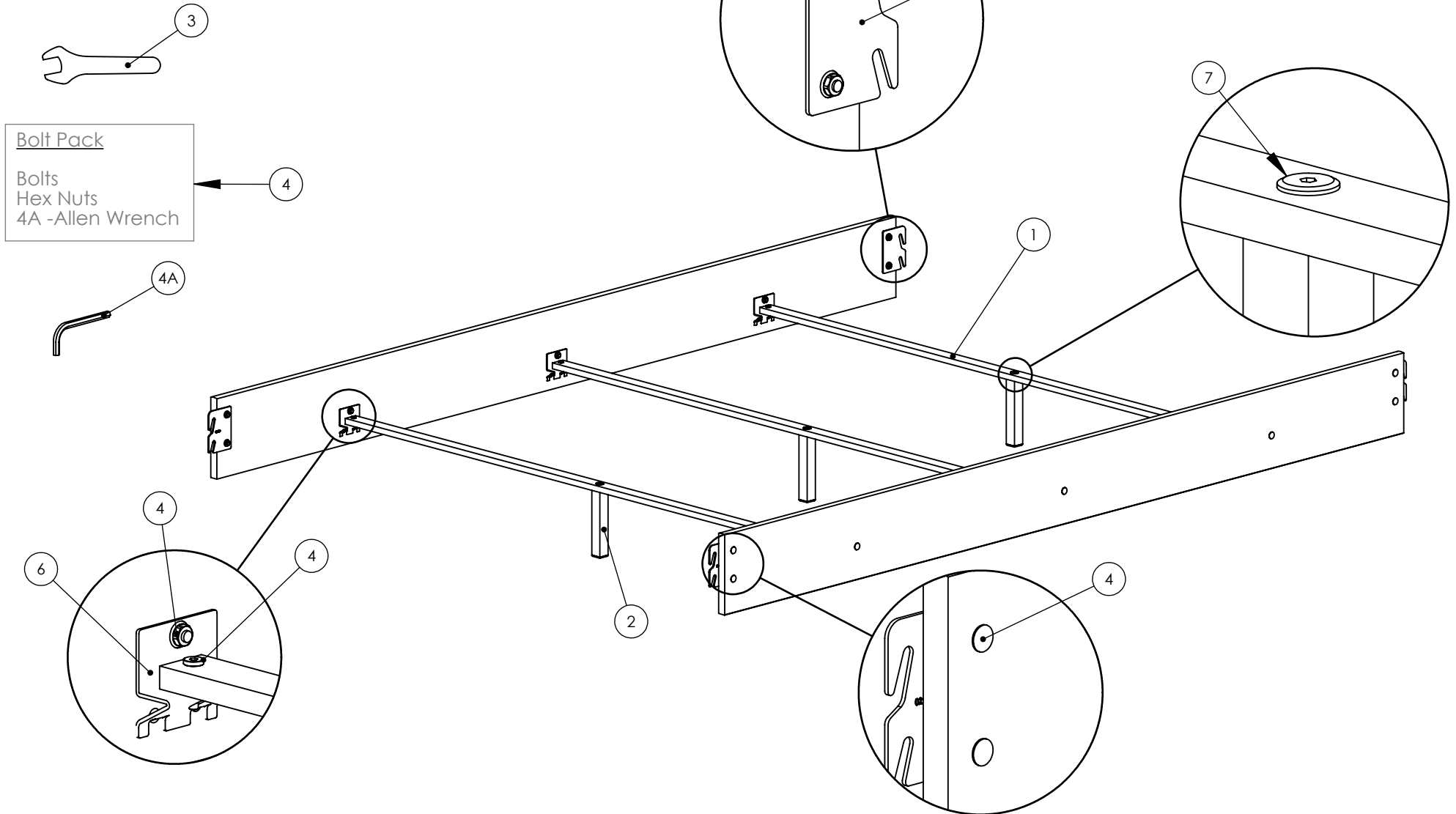
#4



Item#	Qty	Description	MATERIAL
1	3	METAL CROSS SLAT	METAL
2	3	METAL CENTER SUPPORT LEG	METAL
3	1	METAL WRENCH	METAL
4	1	BED RAIL BOLT PACK	METAL
4A	1	ALLEN WRENCH	METAL
5	4	BED HOOK - BOLT ON	METAL
6	1	BED RAIL BRACKET KIT (CONTAINS - 6)	METAL
7	3	JOINT CONNECTOR	METAL



Dwg#: Rail_CS_QKF_H			
Scale: 1:25		TOLERANCES ARE: METRIC..... +.5 / -.5mm DECIMAL..... 0 / -.005" FRACTIONAL..... +0 / -1/32" (UNLESS OTHERWISE SPECIFIED)	
Date: 11/15/2016		Desc: Bed Rails CS	
Rev.	Description	Date	Cad/Eng
A	REMOVED BED RAIL FROM LIST	11/25/2020	JRP
B	UPDATED BOLT PACK CALLOUT	1/14/2022	CS



Bolt Pack  
Bolts  
Hex Nuts  
4A -Allen Wrench