
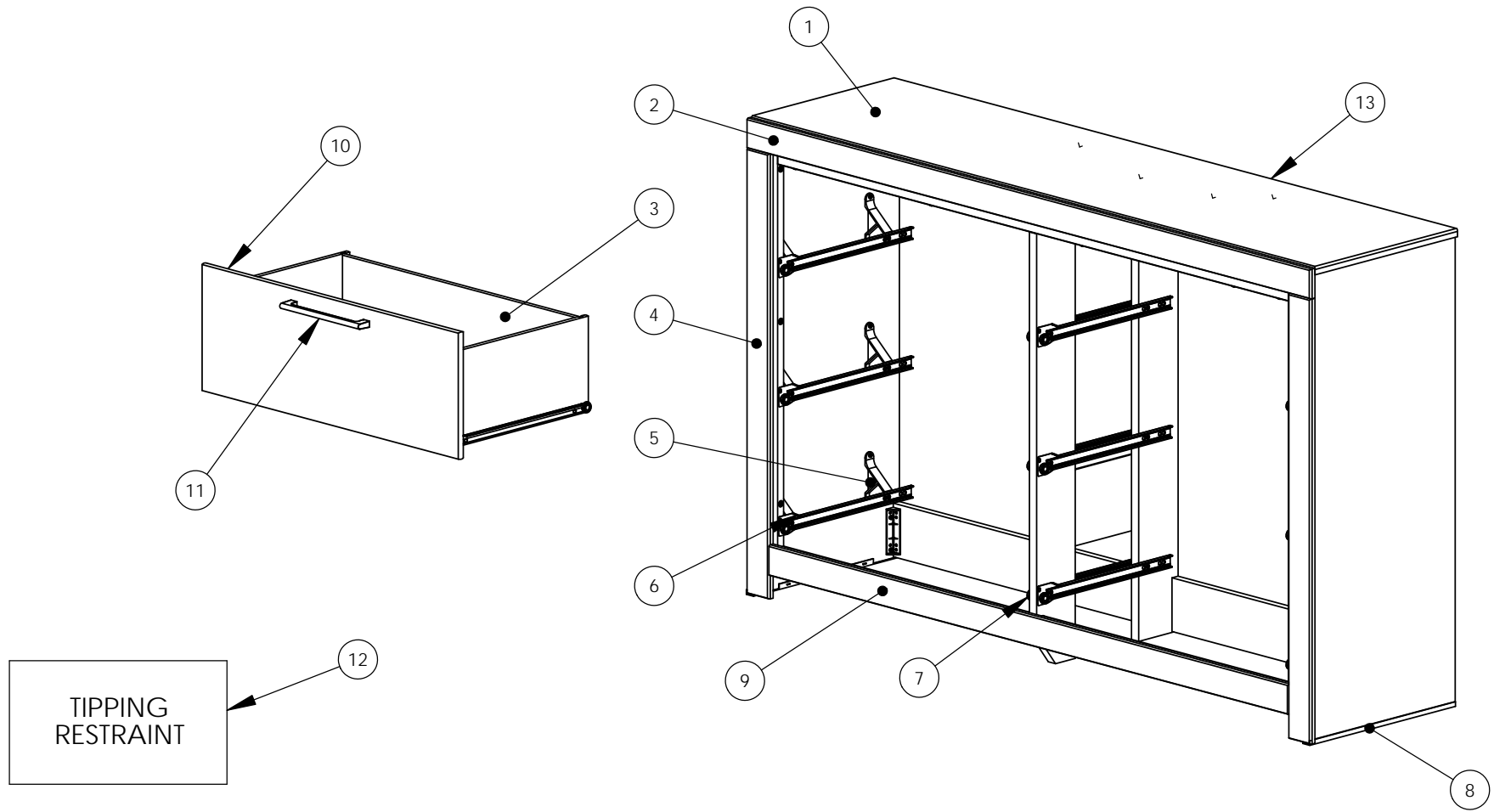


Item#	Qty	Description	MATERIAL
1	1	TOP ASSEMBLY	WOOD
2	1	MOULDING ASSEMBLY	WOOD
3	6	DRAWER ASSEMBLY	WOOD, METAL
4	2	PILASTER	WOOD
5	12	GLIDE SPACER	PLASTIC
6	6	LEFT CABINET GLIDE	METAL, PLASTIC
7	6	RIGHT CABINET GLIDE	METAL, PLASTIC
8	2	CHANNEL MOULDING	PLASTIC
9	1	BASESTRIP ASSEMBLY	WOOD
10	12	BLACK FELT PAD	FABRIC
11	6	HANDLE	METAL
12	1	TIPPING RESTRAINT	PLASTIC
13	4	FLANGE INSERT	METAL

Dwg#: 35023			
Scale: 1:12		TOLERANCES ARE: METRIC:..... +.5 / -.5mm DECIMAL:..... 0 / -.008" FRACTIONAL:..... +0/ -1/32" (UNLESS OTHERWISE SPECIFIED)	
Date: 11/1/2017		Desc: Dresser	
Rev.	Description	Date	Cad/Eng



TIPPING RESTRAINT