

ASSEMBLY INSTRUCTION

ITEN#:19755/F,Q,K/H SKU#:DANIGFHB

DESCRIPTION: Dani F,Q,K, Headboard

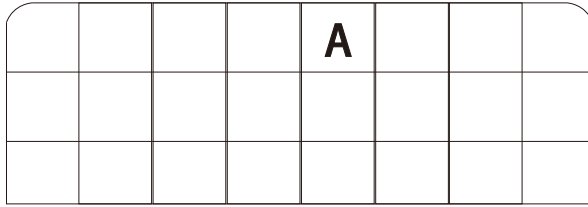
INSTRUCTION D'ASSEMBLAGE

ITEN#:19755/F,Q,K/H SKU#:DANIGFHB

DESCRIPTION: Tête de lit double Dani

Parts /Pièces

Hardware /Quincaillerie

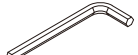


Headboard/chevet 1PCS

a  5/16*2" 14pcs

b  Ø 5/16" 14pcs

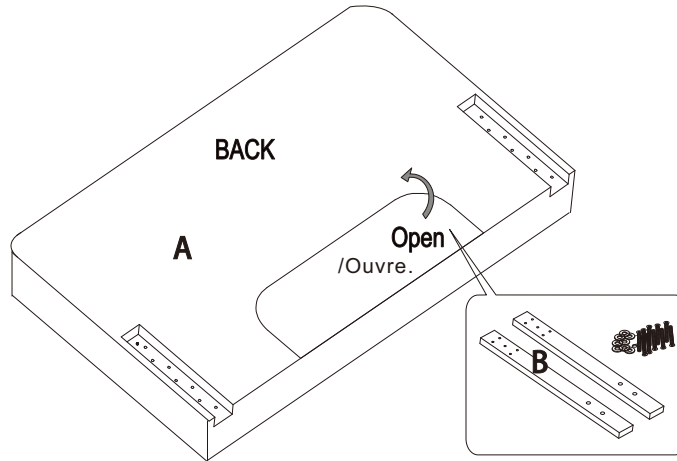
c  Ø 5/16" 14pcs

d  5mm Allen key /clé Allen 1PC

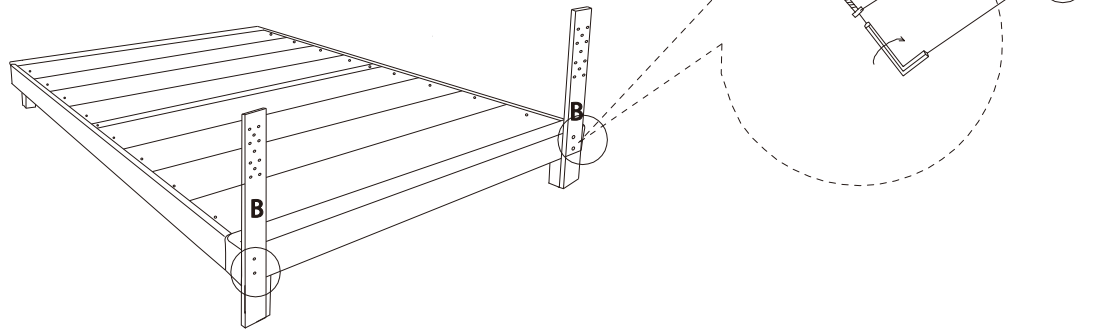


Leg/pied 2PCS

Step1.



Step2.



Step3.

