

**PARTS LIST / LISTE DES PIÈCES / LISTA DE PIEZAS**

ITEM NO. / ARTICLE NO. / ARTICULO NO : 8808-010/030

DESCRIPTION / LA DESCRIPTION / DESCRIPCIÓN : DRESSER / COMMODE / TOCADOR  
MIRROR / MIROIR / ESPEJO



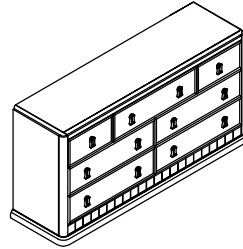
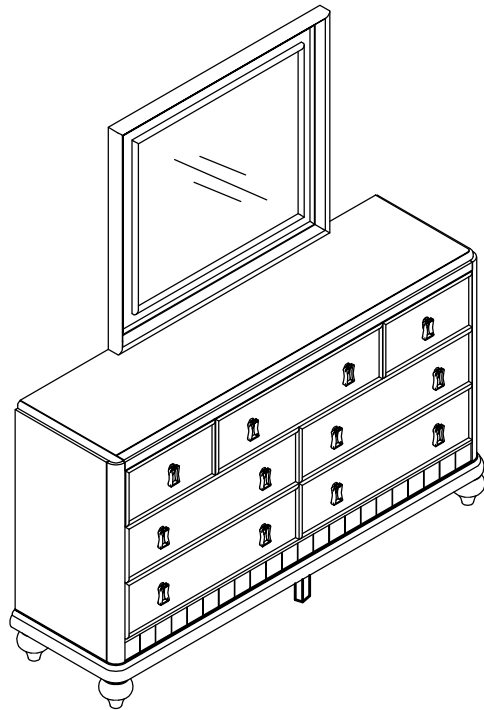
**WARNING**

Serious or fatal crushing injuries can occur from furniture tip-over. To help prevent tip-over:

- Install tipover restraint provided.
- Place heaviest items in the lowest drawers.
- Do not set TV's or other heavy objects on top of this product, unless the product is specifically designed to accommodate them.
- Never allow children to climb or hang on drawers, doors, or shelves.
- Never open more than one drawer at a time. (OR)
- Do not defeat or remove the drawer interlock system.

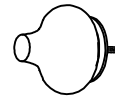
Use of tip-over restraints may only reduce, but not eliminate, the risk of tip-over.

*This is a permanent label. Do not remove!*



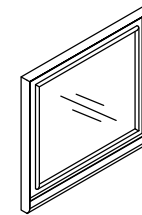
**A**

x1 Dresser  
x1 Commode  
x1 Tocador



**B**

x4 Bun Foot \*  
x4 Pied en forme d'oignon  
x4 Pata redonda



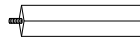
**C**

x1 Landscape Mirror  
x1 Miroir horizontal  
x1 Espejo horizontal



**D**

x2 Mirror Support \*  
x2 Supporte de miroir  
x2 Soporte del espejo



**E**

x1 Center leg \*  
x1 Pattes centrales  
x1 Patras centerles



**F**

x1 Furniture Tipping Restraint \*  
x1 Systeme antibasculment  
x1 Control para evitar vulcos



**1**

x8 Allen bolt Ø1/4"x35mm \*  
x8 Vis à tête creuse hexagonale Ø1/4"x35mm  
x8 Perno Allen Ø1/4"x35mm



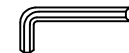
**2**

x8 Lock washer Ø1/4" \*  
x8 Rondelle de blocage Ø1/4"  
x8 Arandela de Seguridad Ø1/4"



**3**

x8 Flat Washer Ø1/4"x19x1.5mm \*  
x8 Rondelle plate Ø1/4"x19x1.5mm  
x8 Arandela plana Ø1/4"x19x1.5mm



**4**

x1 Allen Key 4mm \*  
x1 Clé hexagonale 4mm  
x1 Llave Allen 4mm

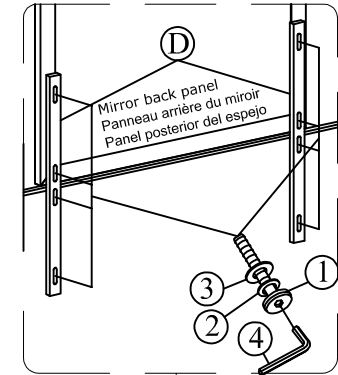
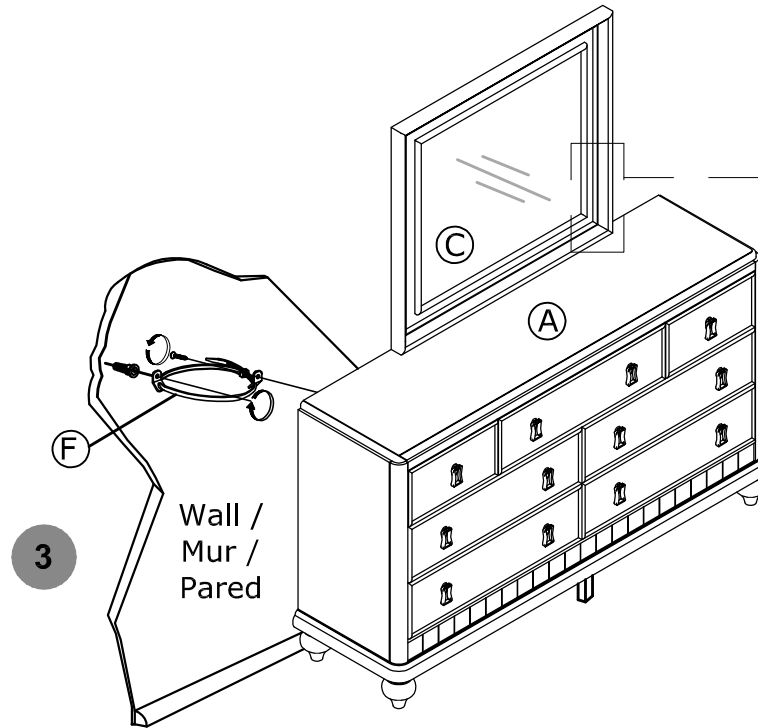
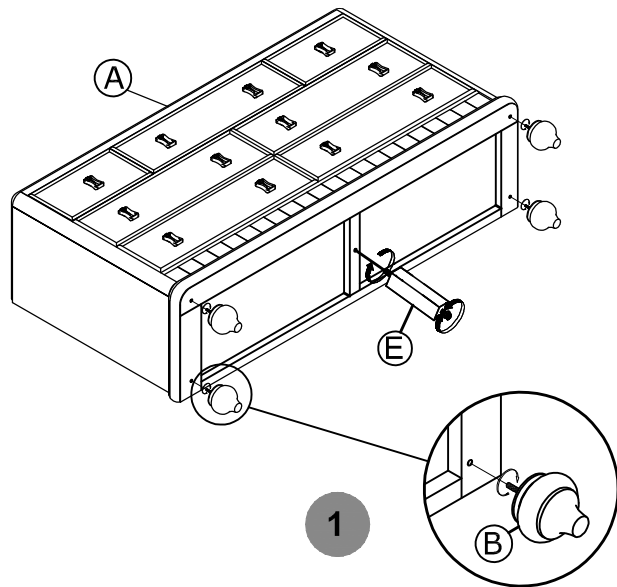
\*Replaceable Part

**ASSEMBLY INSTRUCTIONS / INSTRUCTIONS D'ASSEMBLAGE / INSTRUCCIONES PARA EL ENSAMBLAJE**

ITEM NO. / ARTICLE NO. / ARTICULO NO : 8808-010/030

DESCRIPTION / LA DESCRIPTION / DESCRIPCIÓN : DRESSER / COMMODE / TOCADOR  
MIRROR / MIROIR / ESPEJO

<b>WARNING</b>	
	<p>Serious or fatal crushing injuries can occur from furniture tip-over. To help prevent tip-over:</p> <ul style="list-style-type: none"><li>• Install tipover restraint provided.</li><li>• Place heaviest items in the lowest drawers.</li><li>• Do not set TV's or other heavy objects on top of this product, unless the product is specifically designed to accommodate them.</li><li>• Never allow children to climb or hang on drawers, doors, or shelves.</li><li>• Never open more than one drawer at a time.</li></ul> <p>(OR)</p> <ul style="list-style-type: none"><li>• Do not defeat or remove the drawer interlock system.</li></ul> <p>Use of tip-over restraints may only reduce, but not eliminate, the risk of tip-over.</p> <p><i>This is a permanent label. Do not remove!</i></p>



\*Replaceable Part

**REPLACEABLE PART / PARTIE REMPLACABLE / PARTE REEMPLAZABLE**

ITEM NO. / ARTICLE NO. / ARTICULO NO : 8808-010/030

DESCRIPTION / LA DESCRIPTION / DESCRIPCIÓN : DRESSER / COMMODE / TOCADOR  
MIRROR / MIROIR / ESPEJO



**WARNING**

Serious or fatal crushing injuries can occur from furniture tip-over. To help prevent tip-over:

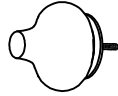
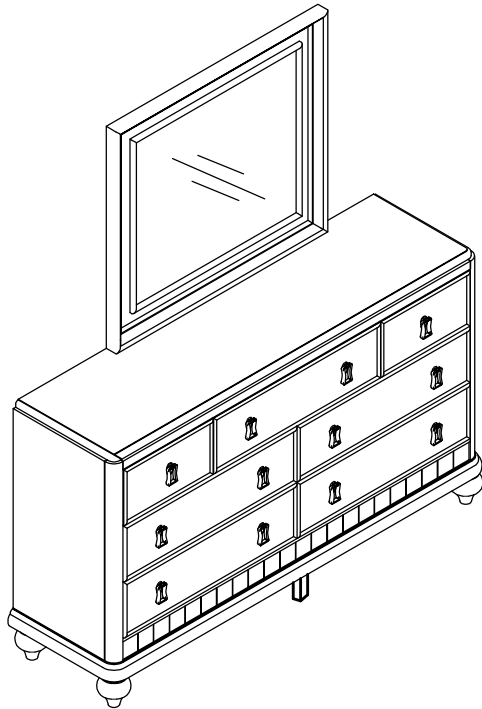
- Install tipover restraint provided.
- Place heaviest items in the lowest drawers.
- Do not set TV's or other heavy objects on top of this product, unless the product is specifically designed to accommodate them.
- Never allow children to climb or hang on drawers, doors, or shelves.
- Never open more than one drawer at a time.

(OR)

- Do not defeat or remove the drawer interlock system.

Use of tip-over restraints may only reduce, but not eliminate, the risk of tip-over.

*This is a permanent label. Do not remove!*



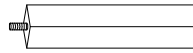
x4 R8808-010-FOOT-Bun Foot \*  
Pied en forme d'oinon  
Pata redonda



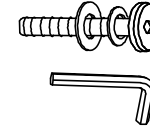
x2 R8808-030-MIRSU-Mirror Support \*  
Supporte de miroir  
Soporte del espejo



x12 R8808-010-PULL- Common Pull \*  
Poignée  
Tirador



x1 R8808-010-CELEG- Center leg \*  
Pattes centrales  
Patras centerles



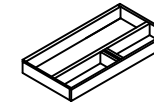
x1 R8808-030-HWKIT-Hardware kit list \*  
Liste des pièces de quincaillerie  
Lista del kit de materiales



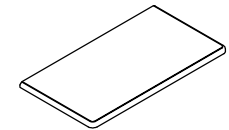
x12 RT8808-010-DR-Drawer Glide \*  
Glissière  
Carril de deslizamiento



x1 R8808-010-MIRRORB-Bottom Mirror Insert \*  
Miroir décoratif  
Espejo decorativo



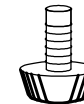
x1 R8808-010-TRAY- Jewelry tray \*  
Plateau de bijoux  
Bandeja de joyas



x1 R8808-010-TOP-Top \*  
Supérieur  
Superior



x4 RC-WH-NAIL-White Plastic Nail \*  
Clou  
Clavo



x1 RC-FG-WHITE- White Leveler \*  
Patin réglable  
Nivelador

\*Replaceable Part