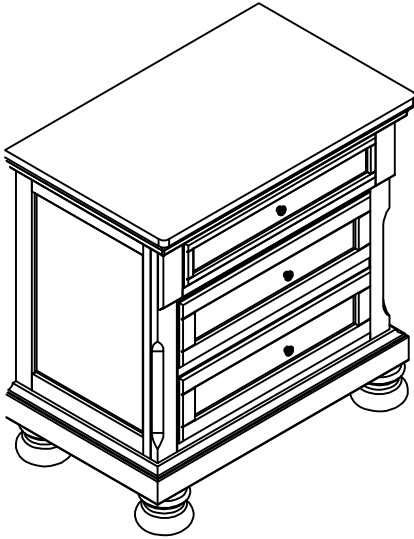




ASSEMBLY INSTRUCTIONS

NIGHT STAND

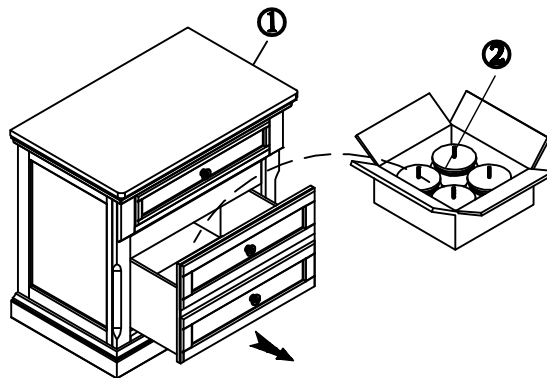
Caution: Please read instructions thoroughly before unpacking assembly parts. Sharp, exposed staple tips can cause injury, therefore, for your protection, please remove any exposed staple used in packing.

1. We recommend that you should assemble this product with the assistance of another person; this will make assembly easier, and will help to eliminate damage to the product or injury to persons during assembly.
2. Be sure to check all packing materials carefully for small parts that may have come loose inside the carton during shipment.
3. please do not over tighten screws or bolts.
4. Please put all parts on a non-abrasive floor before assembly, and follow the assembly steps to assemble your newly purchased product correctly and efficiently.

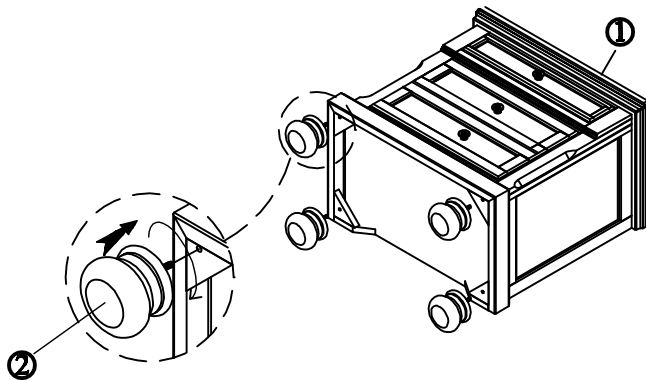


PART LISTS			
NO.	DESCRIPTION	SKETCH	QTY
(1)	BASE		1PC
(2)	LBG		4PCS

STEP 1



STEP 2

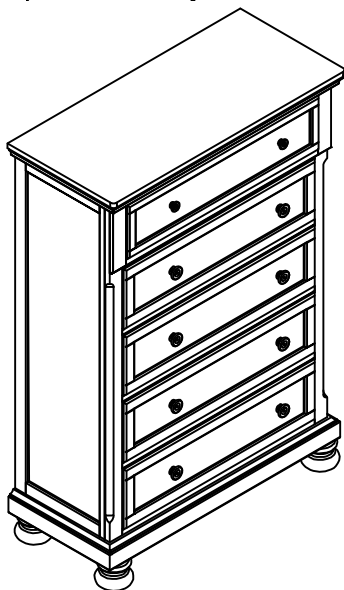


ASSEMBLY INSTRUCTIONS




CHEST

Caution: Please read instructions thoroughly before unpacking assembly parts. Sharp, exposed staple tips can cause injury, therefore, for your protection, please remove any exposed staple used in packing.

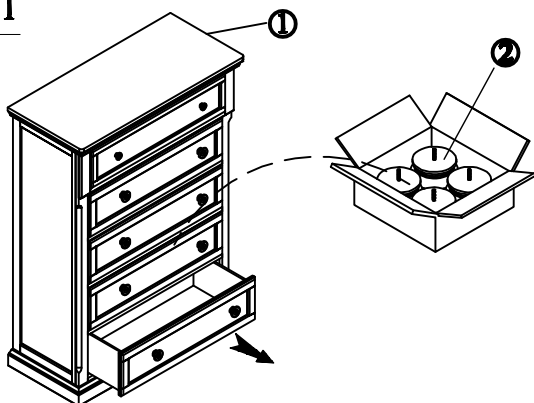
1. We recommend that you should assemble this product with the assistance of another person; this will make assembly easier, and will help to eliminate damage to the product or injury to persons during assembly.
2. Be sure to check all packing materials carefully for small parts that may have come loose inside the carton during shipment.
3. please do not over tighten screws or bolts.
4. Please put all parts on a non-abrasive floor before assembly, and follow the assembly steps to assemble your newly purchased product correctly and efficiently.



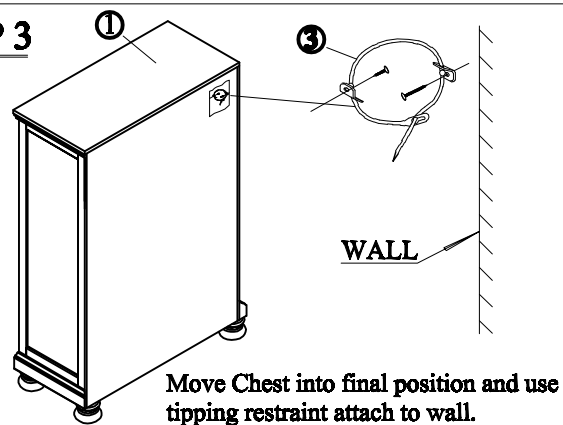
PART LISTS

NO.	DESCRIPTION	SKETCH	QTY
(1)	BASE		1PC
(2)	LEG		4PCS
(3)	TIPPING RESTRAINT		1SET

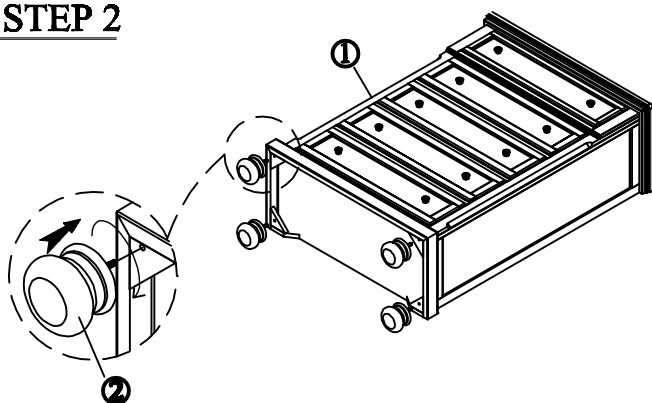
STEP 1



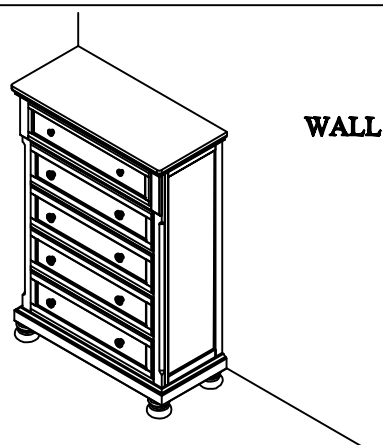
STEP 3



STEP 2



Completed

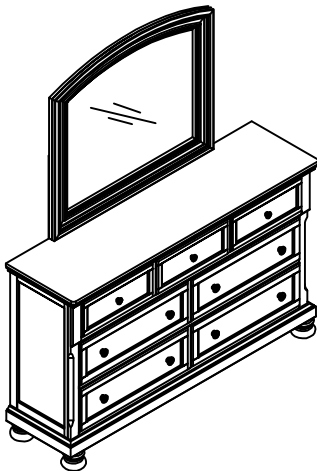




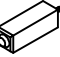

ASSEMBLY INSTRUCTIONS

DRESSER&MIRROR

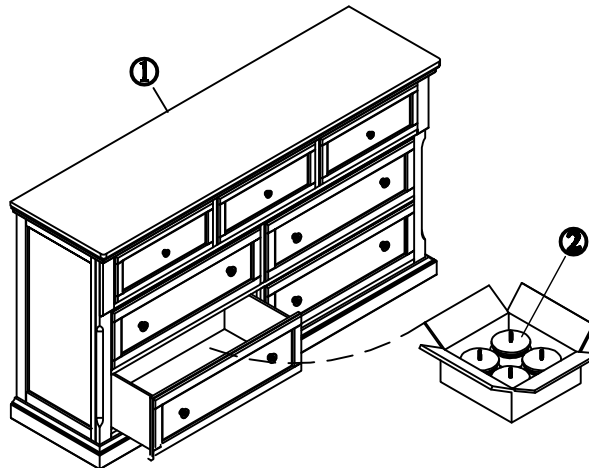
Caution: Please read instructions thoroughly before unpacking assembly parts. Sharp, exposed staple tips can cause injury, therefore, for your protection, please remove any exposed staple used in packing.

1. We recommend that you should assemble this product with the assistance of another person; this will make assembly easier, and will help to eliminate damage to the product or injury to persons during assembly.
2. Be sure to check all packing materials carefully for small parts that may have come loose inside the carton during shipment.
3. please do not over tighten screws or bolts.
4. Please put all parts on a non-abrasive floor before assembly, and follow the assembly steps to assemble your newly purchased product correctly and efficiently.

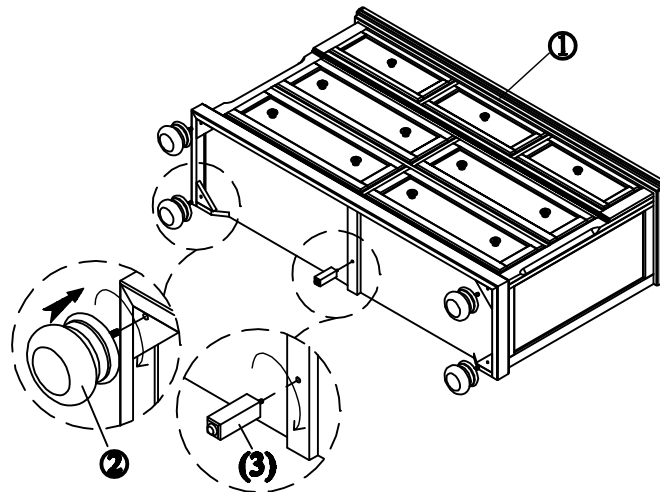


PART LISTS			
NO.	DESCRIPTION	SKETCH	Q'TY
(1)	BASE		1PC
(2)	LEG		4PCS
(3)	ADJUST LEVEL LEG		1PC
(4)	TIPPING RESTRAINT		1PC

STEP 1






STEP 2



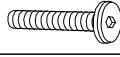



ASSEMBLY INSTRUCTIONS

DRESSER/MIRROR

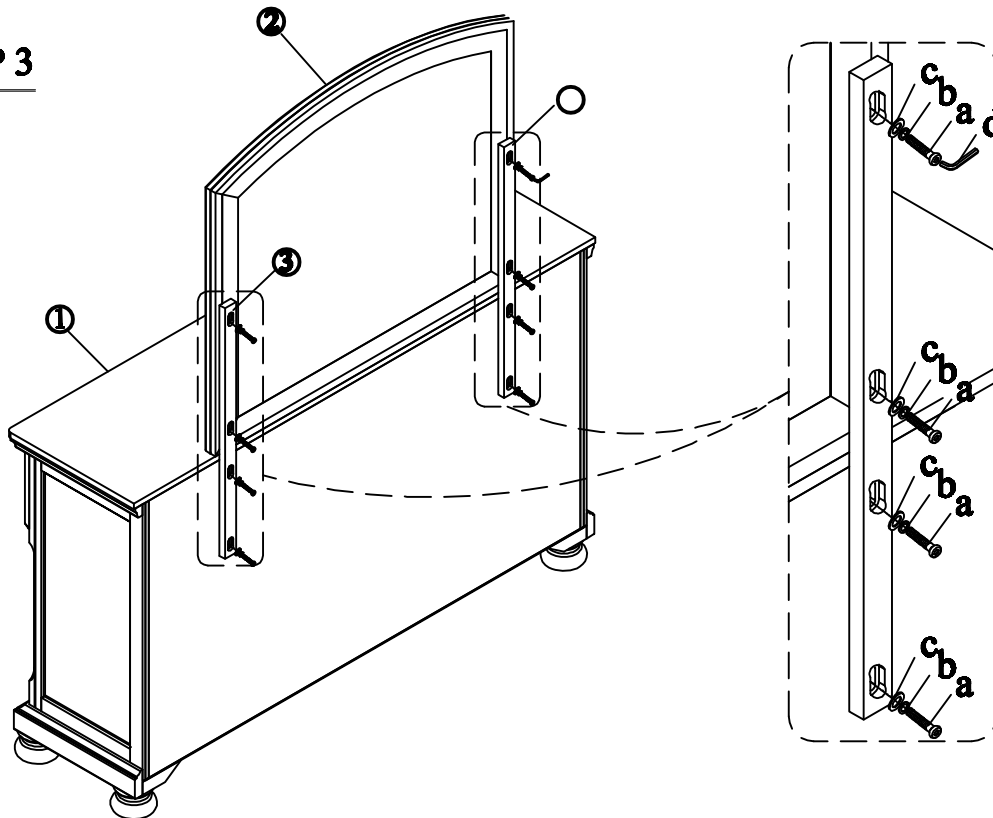
PART LISTS LISTA DE PARTES

NO:	COMPONENT		Q'TY
(1)	DRESSER		1
(2)	MIRROR		1
(3)	MIRROR SUPPORT		2

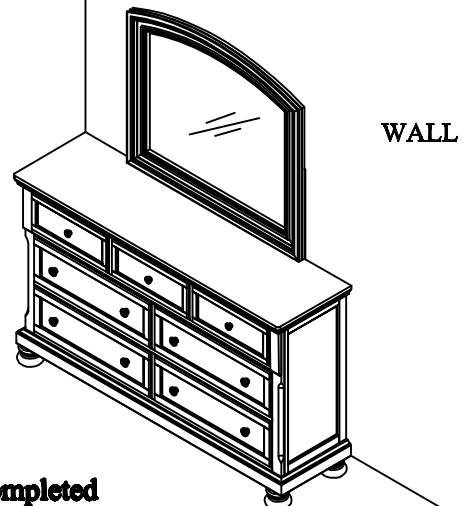
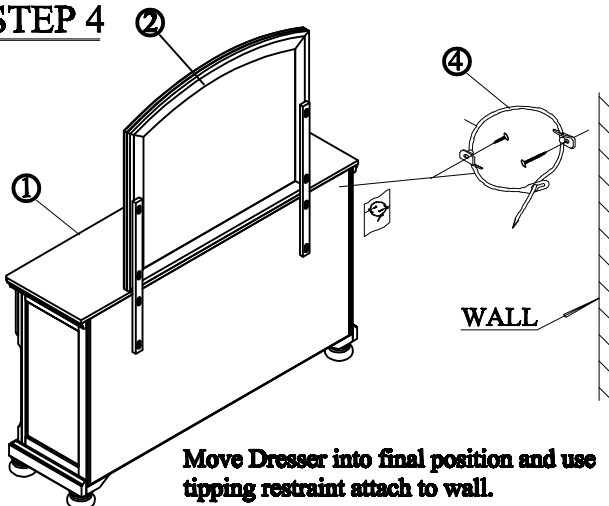
HARDWARE LISTS LISTA DE TORNILLO

NO:	COMPONENT		Q'TY
a	JCBC Bolt 1/4" *1-1/2"L		8
b	Spring Washer 1/4" Dia		8
c	Flat Washer 1/4" Dia		8
d	Allen Key		1

STEP 3



STEP 4

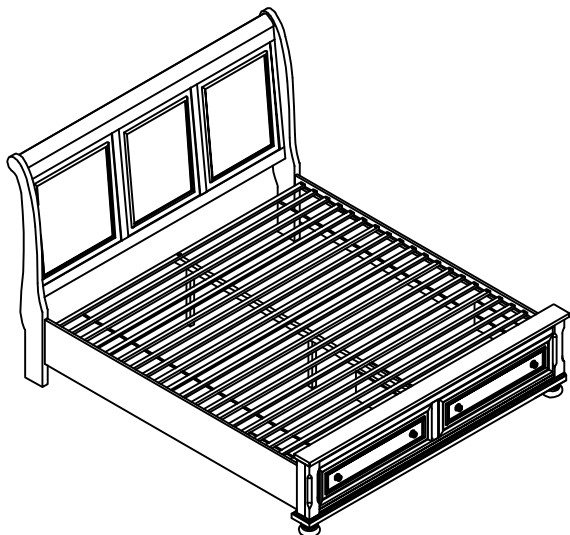


ASSEMBLY INSTRUCTIONS








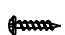
QUEEN BED&KING BED &CAL KING BED

Caution: Please read instructions thoroughly before unpacking assembly parts. Sharp, exposed staple tips can cause injury, therefore, for your protection, please remove any exposed staple used in packing.

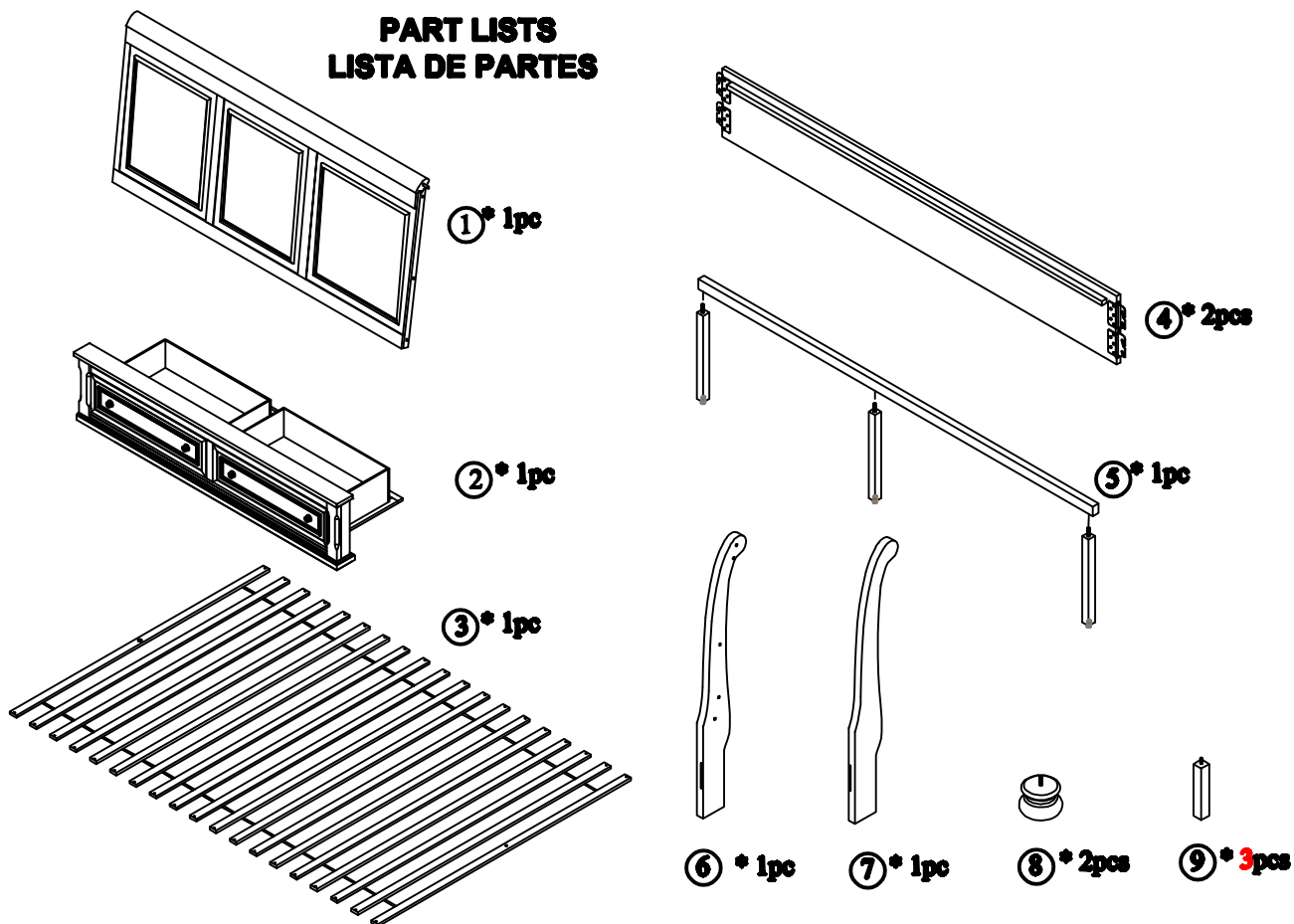
1. We recommend that you should assemble this product with the assistance of another person; this will make assembly easier, and will help to eliminate damage to the product or injury to persons during assembly.
2. Be sure to check all packing materials carefully for small parts that may have come loose inside the carton during shipment.
3. please do not over tighten screws or bolts.
4. Please put all parts on a non-abrasive floor before assembly, and follow the assembly steps to assemble your newly purchased product correctly and efficiently.



HARDWARE LISTS LISTA DE TORNILLO

NO.	DESCRIPTION		QTY
a	ALLEN BOLT (Ø $\frac{3}{8}$ "*2"L)		6PCS
b	LOCK WASHER (Ø $\frac{3}{8}$ "")		6PCS
c	FLAT WASHER (Ø $\frac{3}{8}$ "")		6PCS
d	ALLEN BOLT (Ø $\frac{1}{2}$ "*1"L)		2PCS
e	LOCK WASHER (Ø1/4")		2PCS
f	FLAT WASHER (Ø1/4")		2PCS
g	ALLEN KEY (4mm)		1PC
h	SCREWS Ø8*34*1"L		38PCS

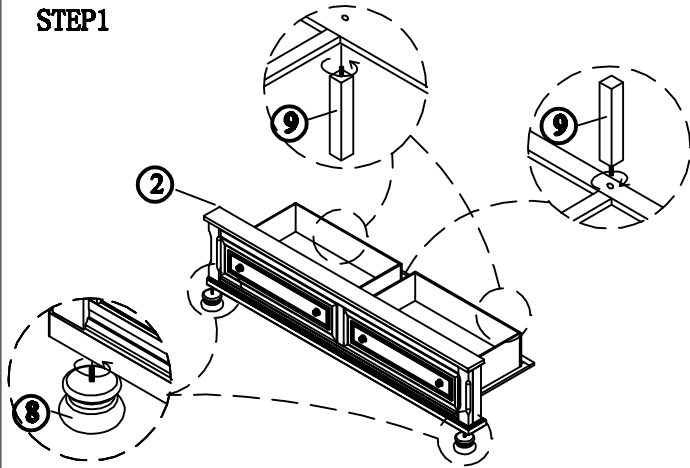
PART LISTS LISTA DE PARTES



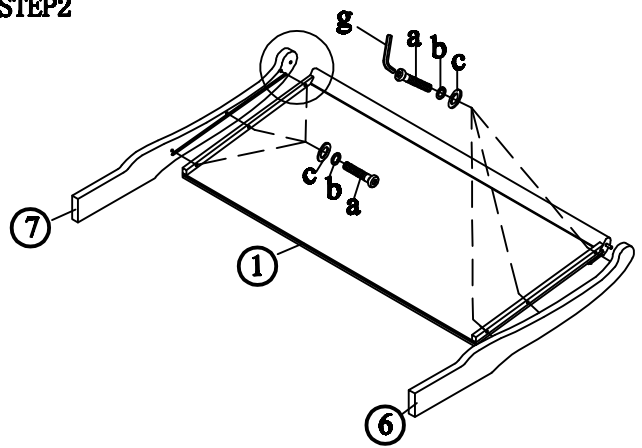
ASSEMBLY INSTRUCTIONS

QUEEN BED & KING BED & CAL KING BED

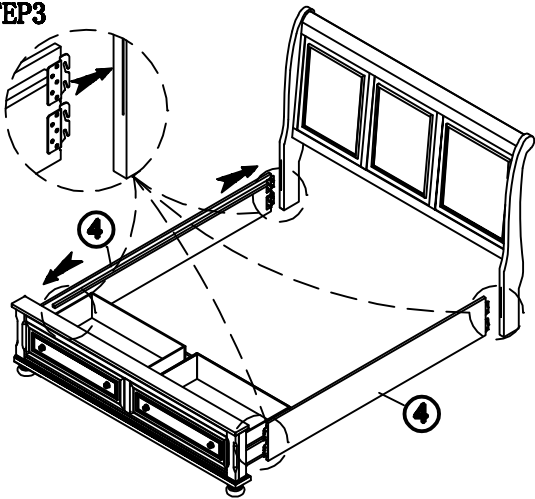
STEP 1



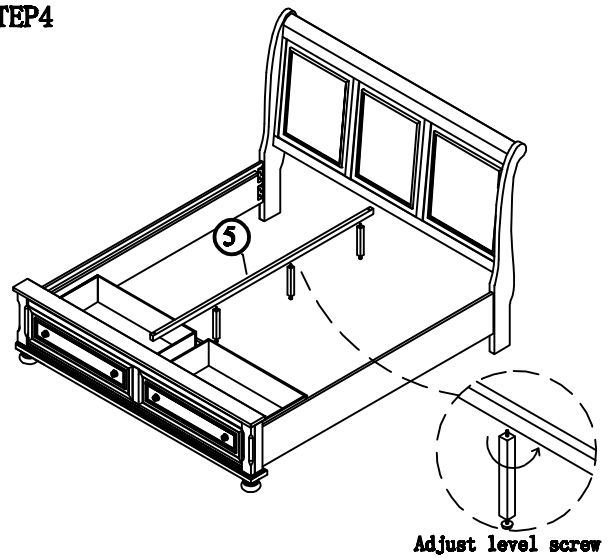
STEP 2



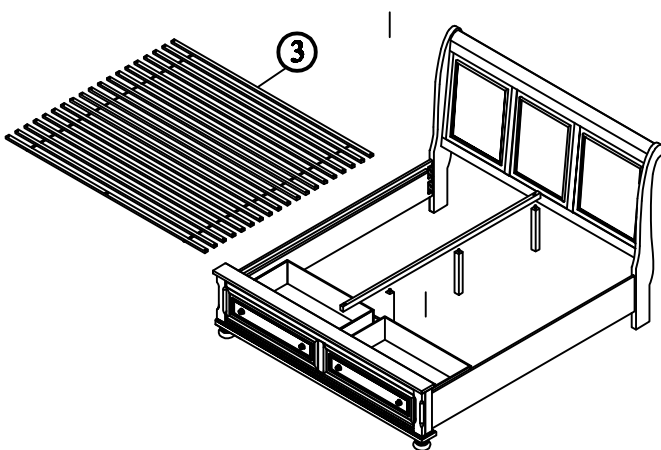
STEP 3



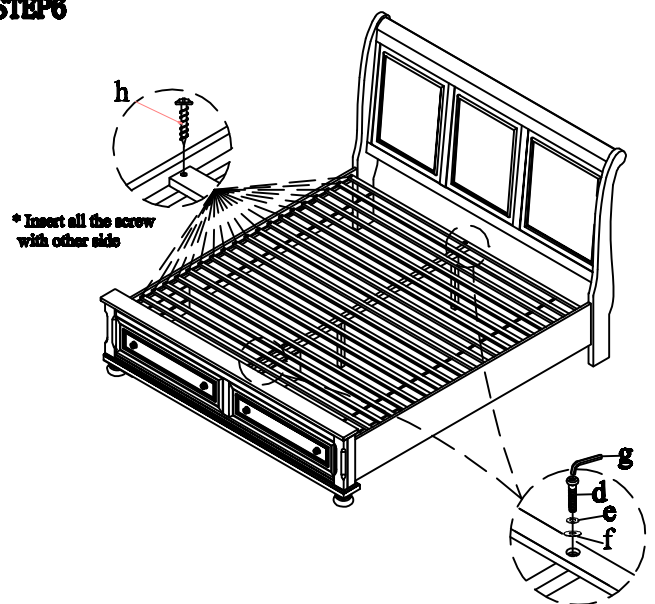
STEP 4



STEP 5



STEP 6



Completed