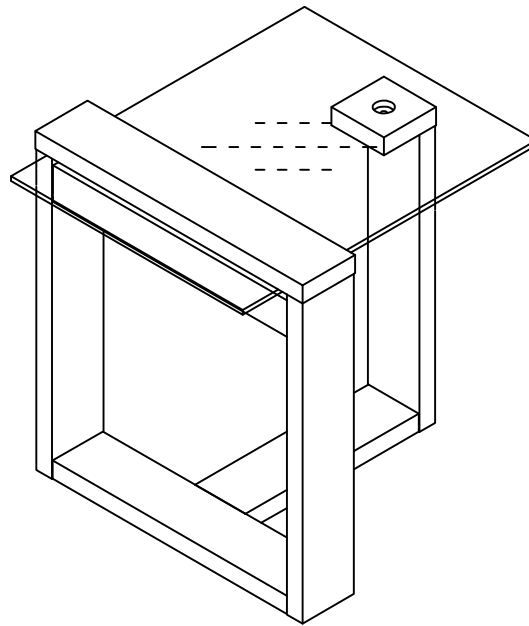


ASSEMBLY INSTRUCTIONS /  
INSTRUCTIONS D'ASSEMBLAGE

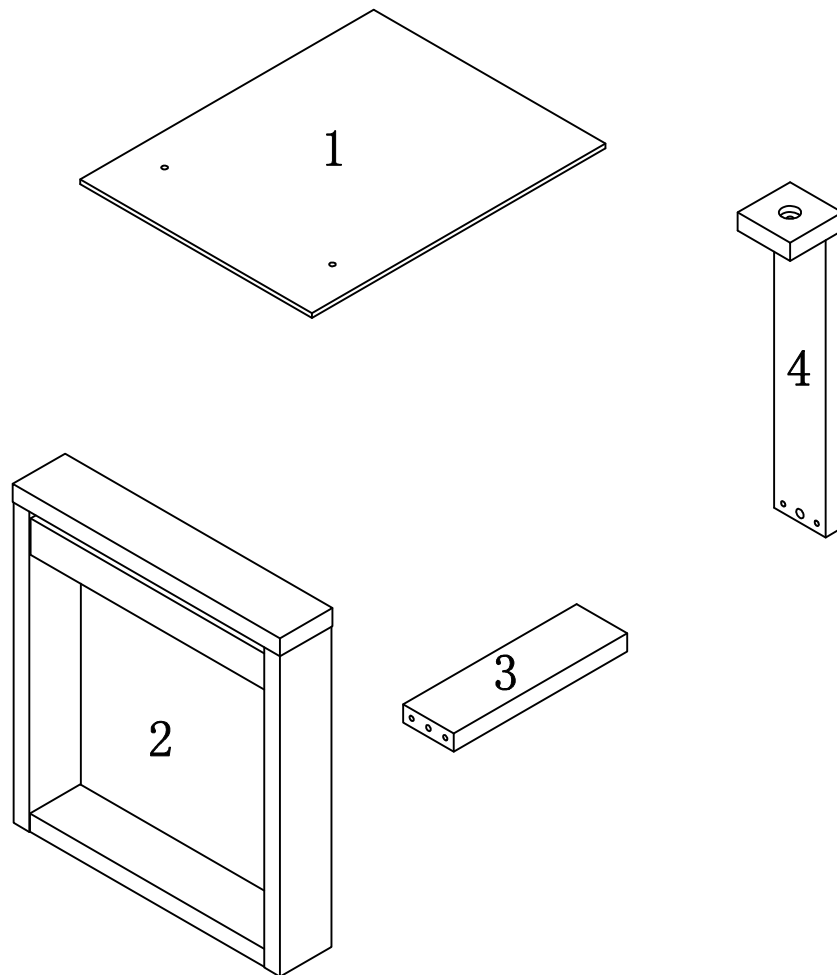
---

ITEM NO/NO ARTICLE:CAL13ETB/192548ET



PARTS IDENTIFICATIONS /  
IDENTIFICATION DES PIECES












ITEM NO/NO ARTICLE:CAL13ETB/192548ET



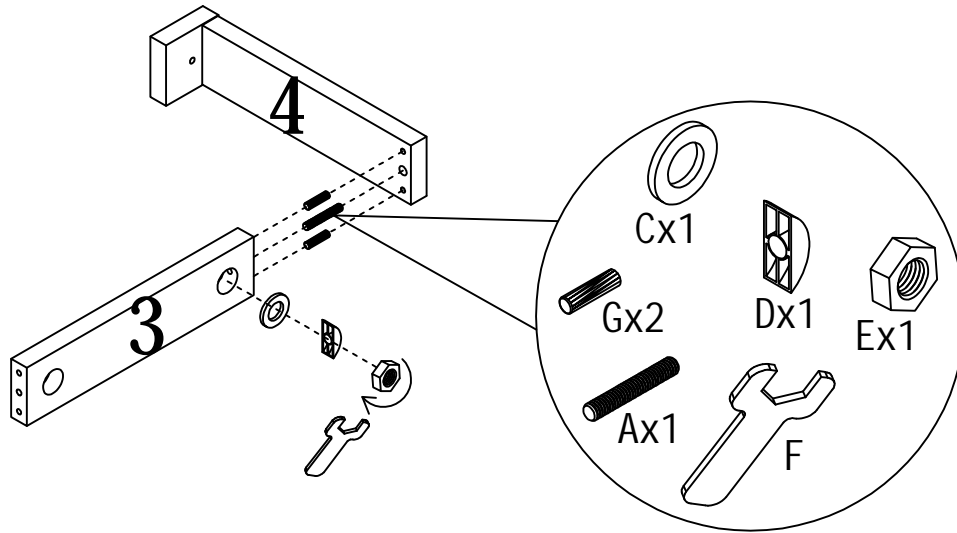
- (1) 1pc/pce
- (2) 1pc/pce
- (3) 1pc/pce
- (4) 1pc/pce

# HARDWARE IDENTIFICATIONS/ IDENTIFICATION DU KIT D'ASSEMBLAGE

ITEM NO/NO ARTICLE: CAL13ETB/192548ET

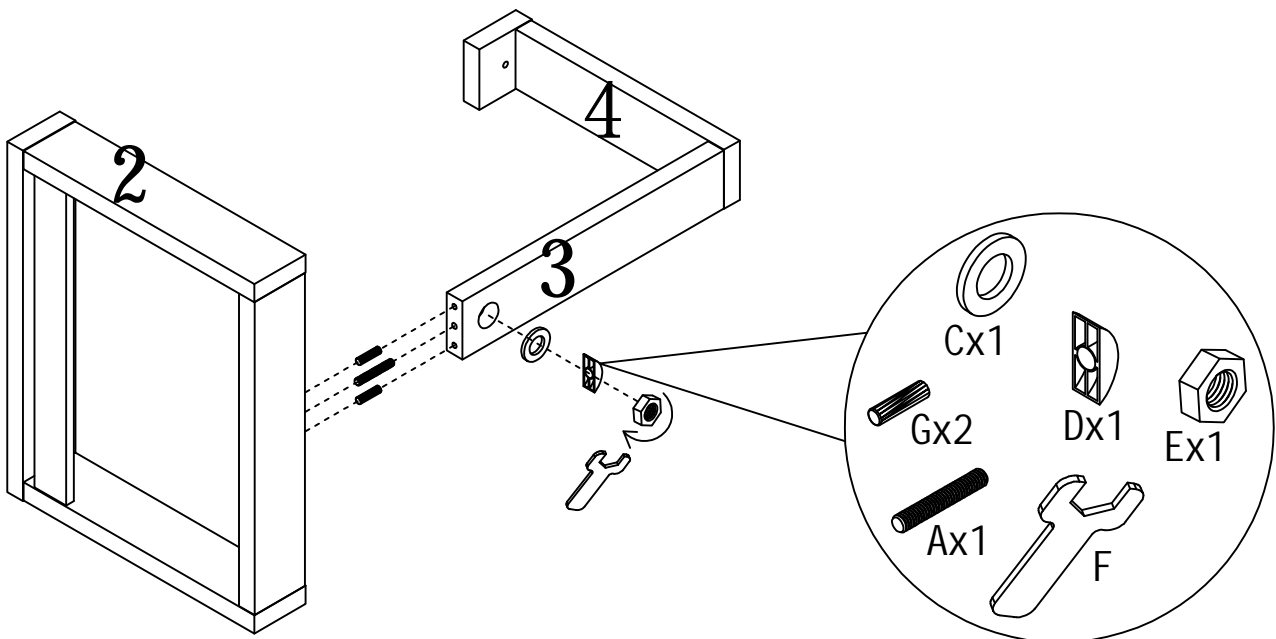
A		$\phi 8 \times 70$	2pcs/pcs
B		M8 x 25	3pcs/pcs
C		$\phi 8 \times \phi 16 \times 1$	5pcs/pcs
D		M8	2pcs/pcs
E		M8	2pcs/pcs
F		M13	1pc/pce
G		$\phi 8 \times 25$	4pcs/pcs
H		M5	1pc/pce
I		$\phi 16$	4pcs/pcs
J		$\phi 18$	2pcs/pcs
k		<p>Glue: For securing please apply to wood dowel first before inserting into panel. Colle: Appliquez de la colle sur les goujons en bois avant de les insérer dans le panneau.</p>	1pc/pce

ITEM NO/NO ARTICLE:CAL13ETB/192548ET

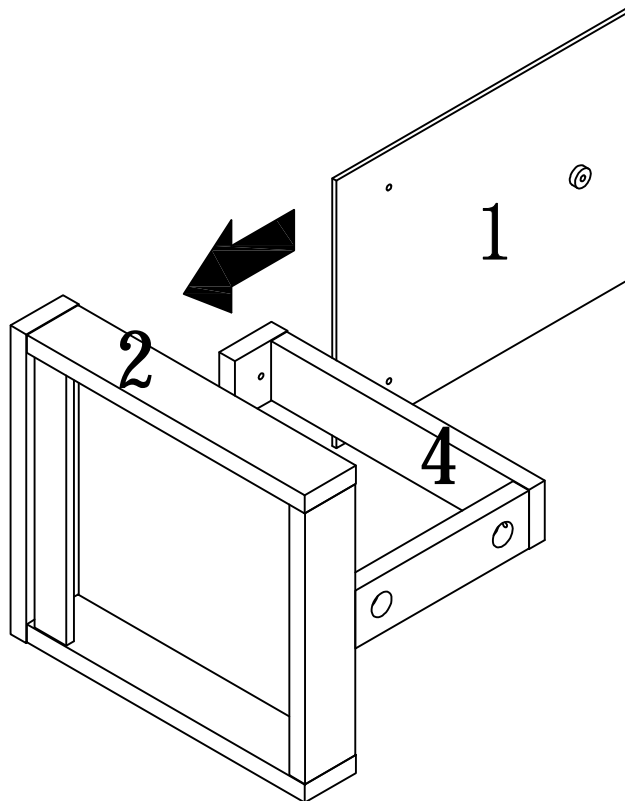


STEP 1 / ETAPE 1

STEP 2 / ETAPE 2



ITEM NO/NO ARTICLE:CAL13ETB/192548ET



STEP 3 / ETAPE 3

STEP 4 / ETAPE 4

