

ASSEMBLY INSTRUCTION

ITEN#:19754/F,Q,K/H SKU#:BURKGHB

DESCRIPTION: Burk F,Q,K, Headboard

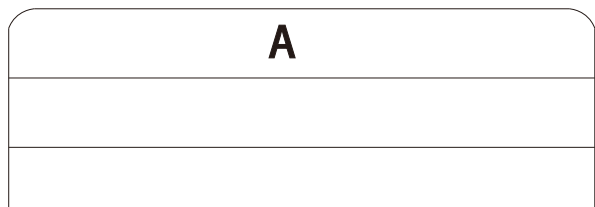
INSTRUCTION D'ASSEMBLAGE

ITEN#:19754/F,Q,K/H SKU#:BURKGHB

DESCRIPTION:Tête de lit double Burk

Parts /Pièces

Hardware /Quincaillerie



Headboard/chevet 1PCS



Leg/pied 2PCS

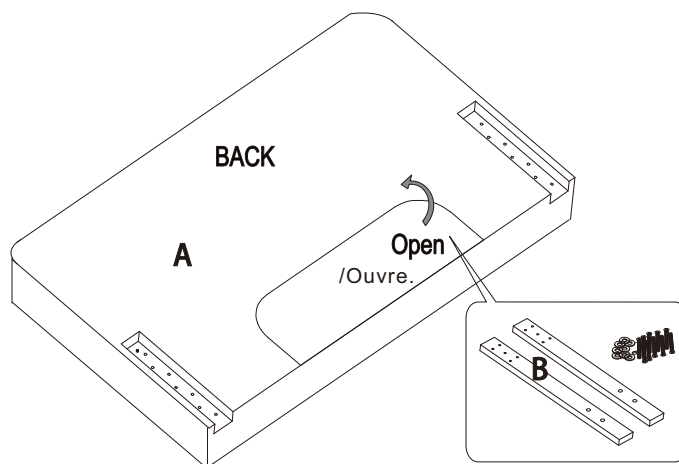
a  5/16*2" 14pcs

b  Ø 5/16" 14pcs

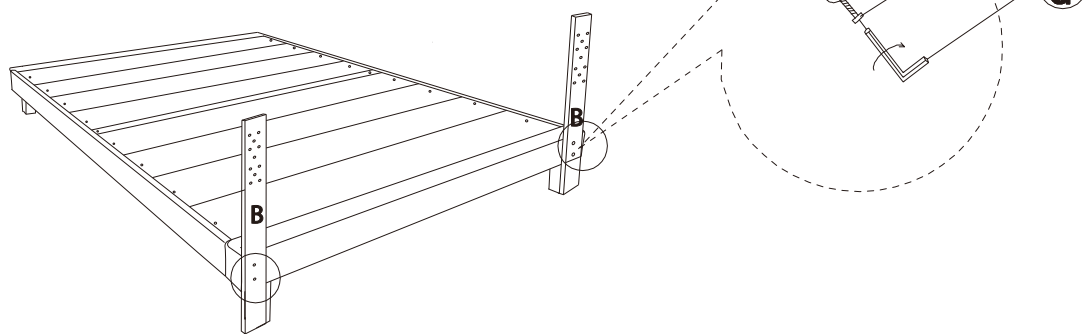
c  Ø 5/16" 14pcs

d  5mm Allen key /clé Allen 1PC

Step1.



Step2.



Step3.

