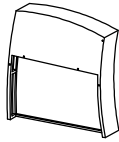
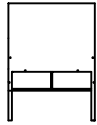
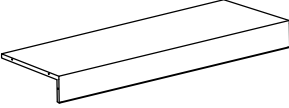
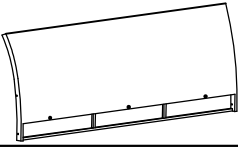



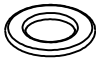







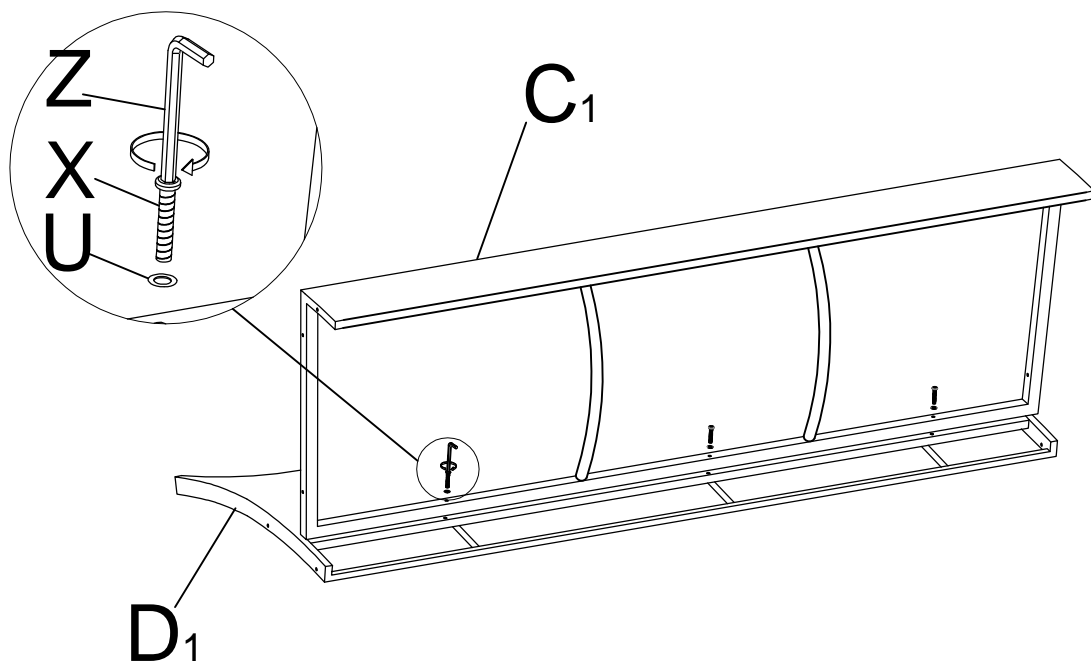
ASSEMBLY INSTRUCTIONS / INSTRUCTIONS D'ASSEMBLAGE
 ITEM NO / NO ARTICLE: BERGG2SF (51406708S)

HARDWARE LIST / LISTE DES PIECES

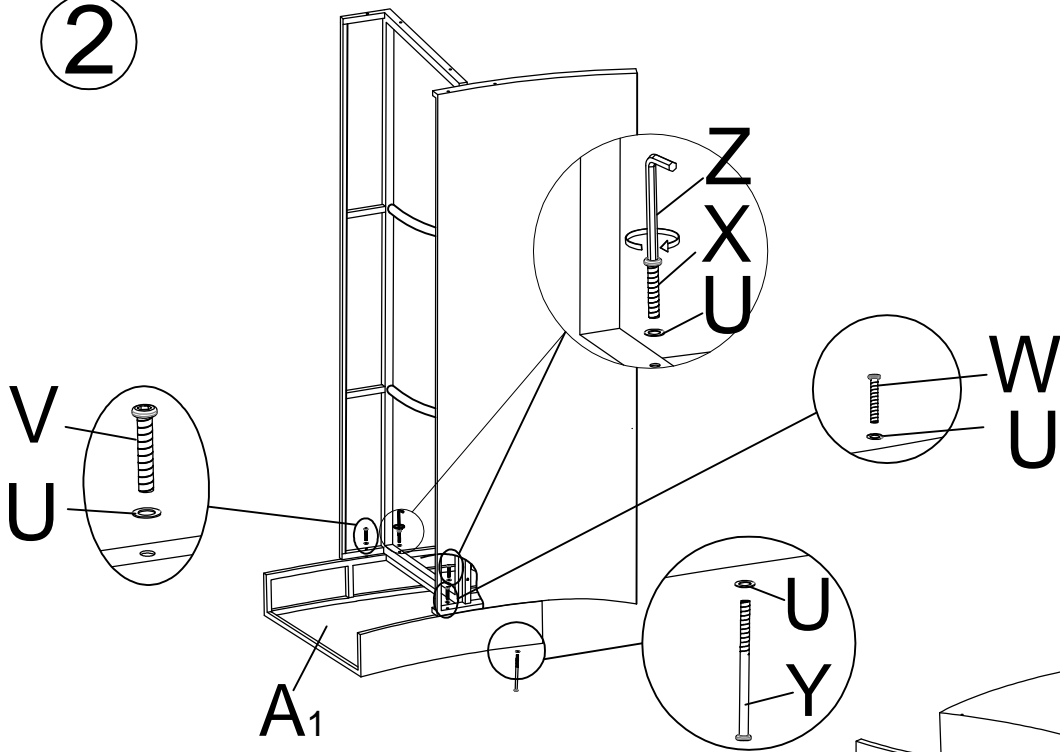
A ₁		1
B ₁		1
C ₁		1
D ₁		1
E ₁		1
F		3

G		1
U		13
V	 M6*30	2
W	 M6*35	2
X	 M6*45	8
Y	 M6*120	1
Z		1

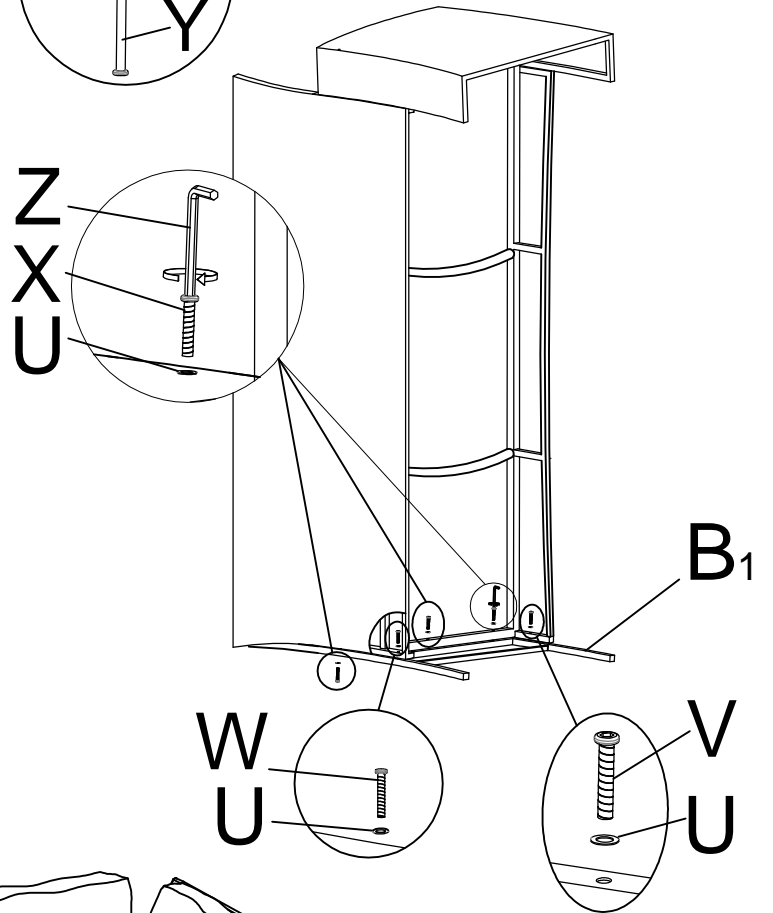
1



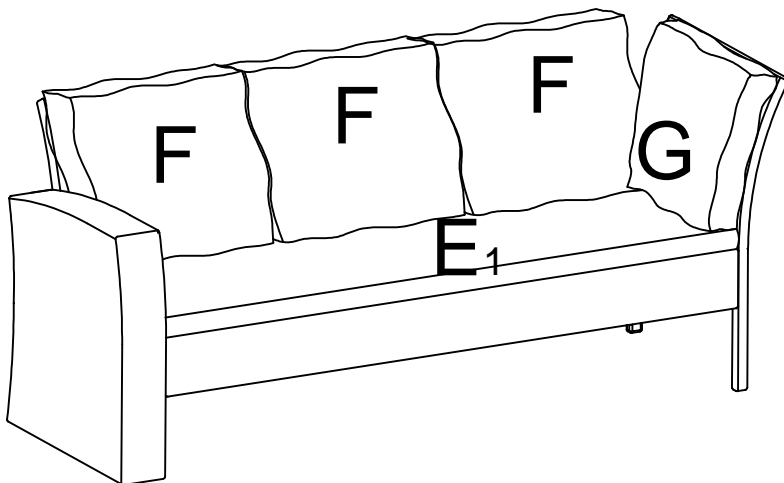
2

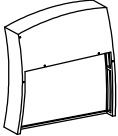
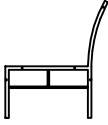
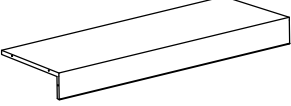
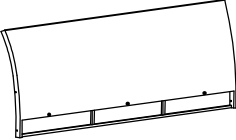










3



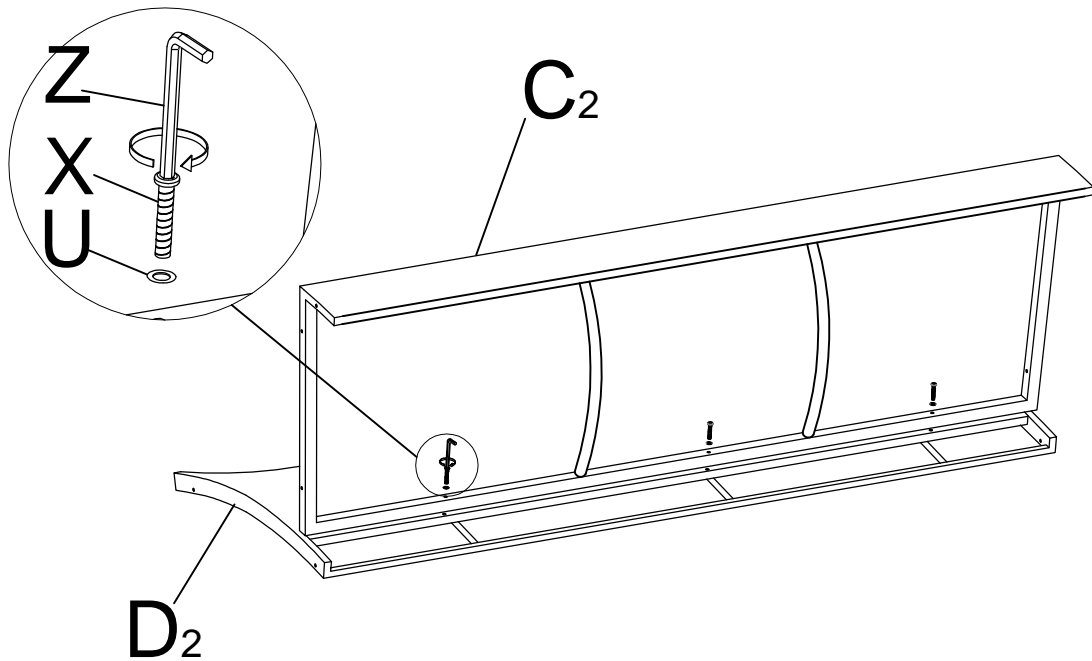
4



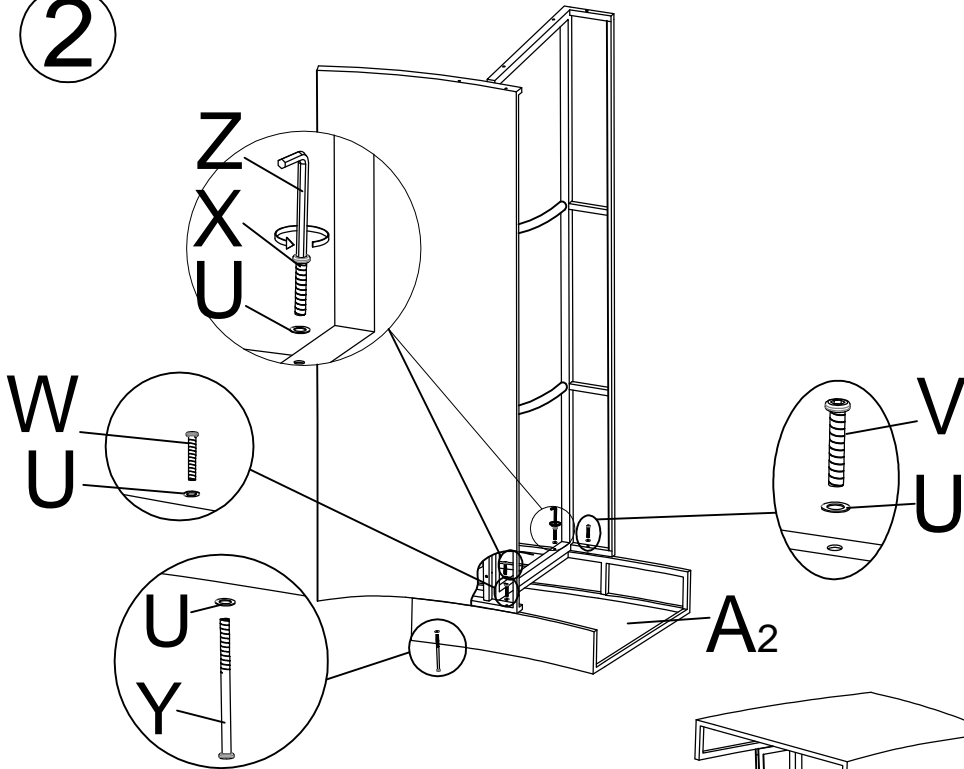
A ₂		1
B ₂		1
C ₂		1
D ₂		1
E ₂		1
F		3

U		13
V	 M6*30	2
W	 M6*35	2
X	 M6*45	8
Y	 M6*120	1
Z		1

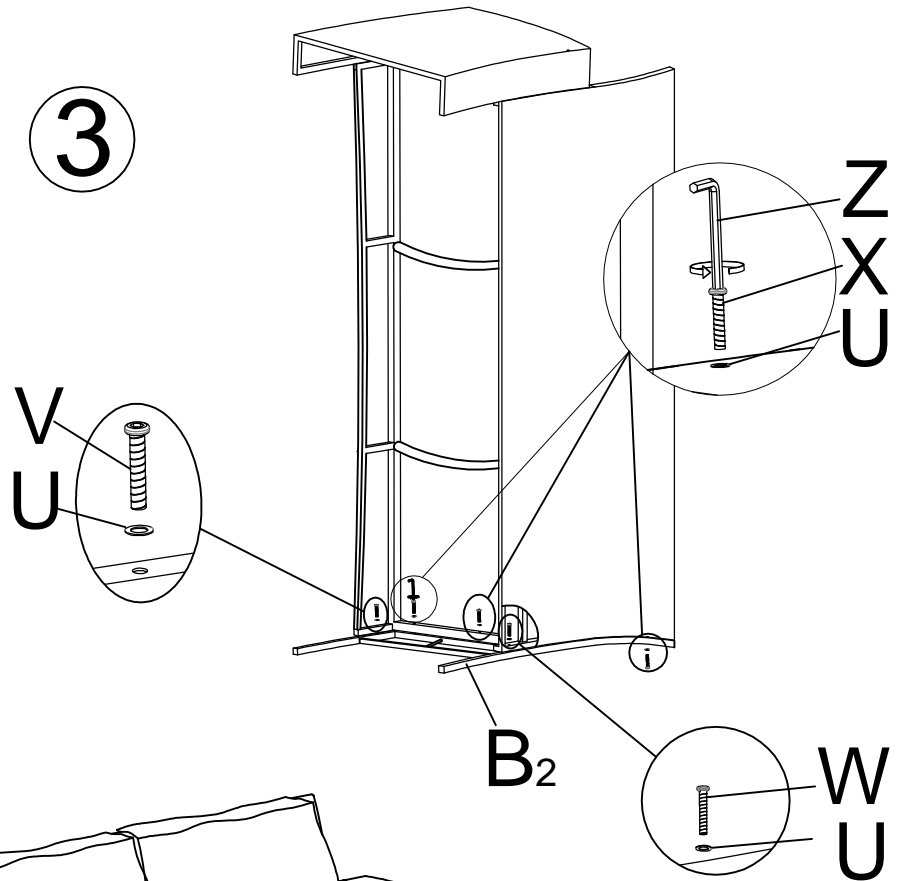
1



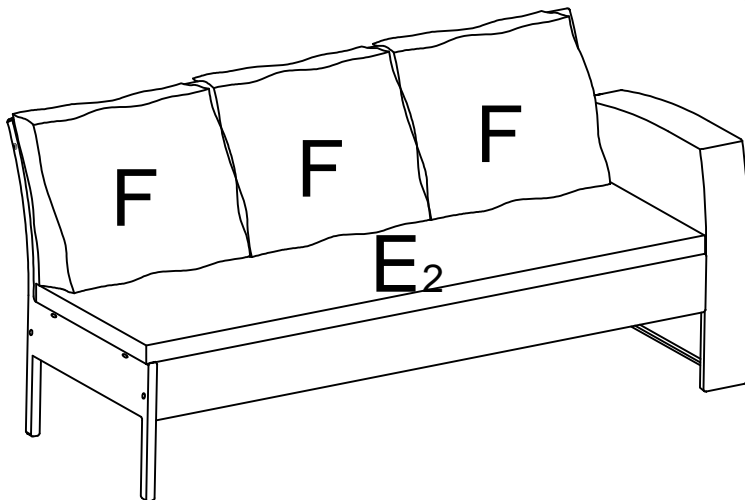
2

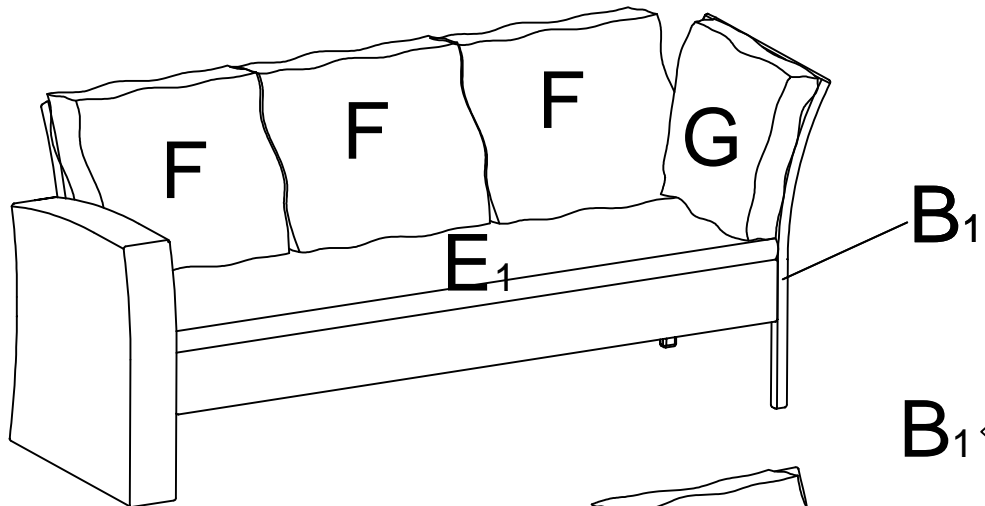


3

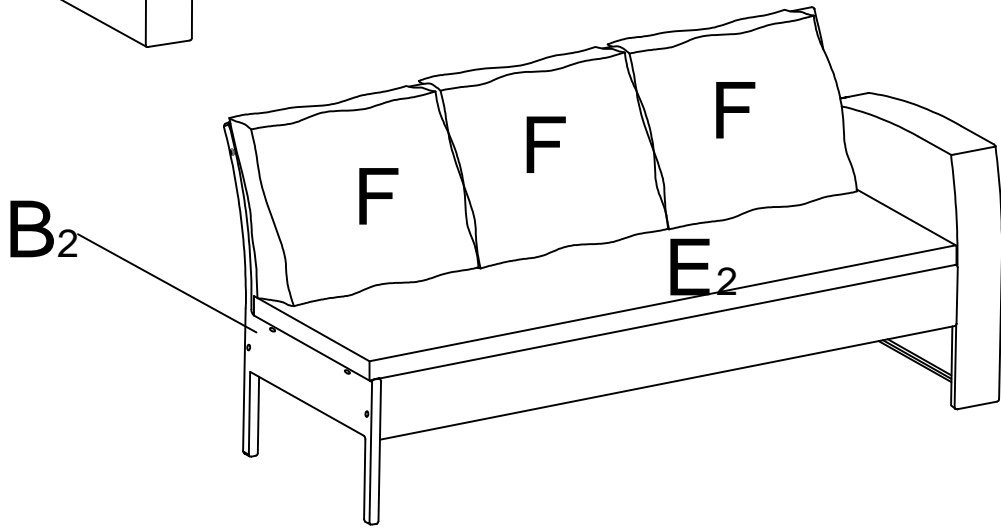



4

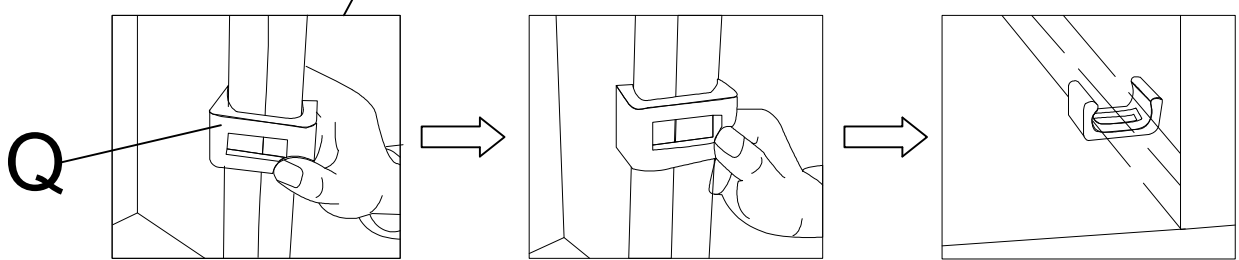
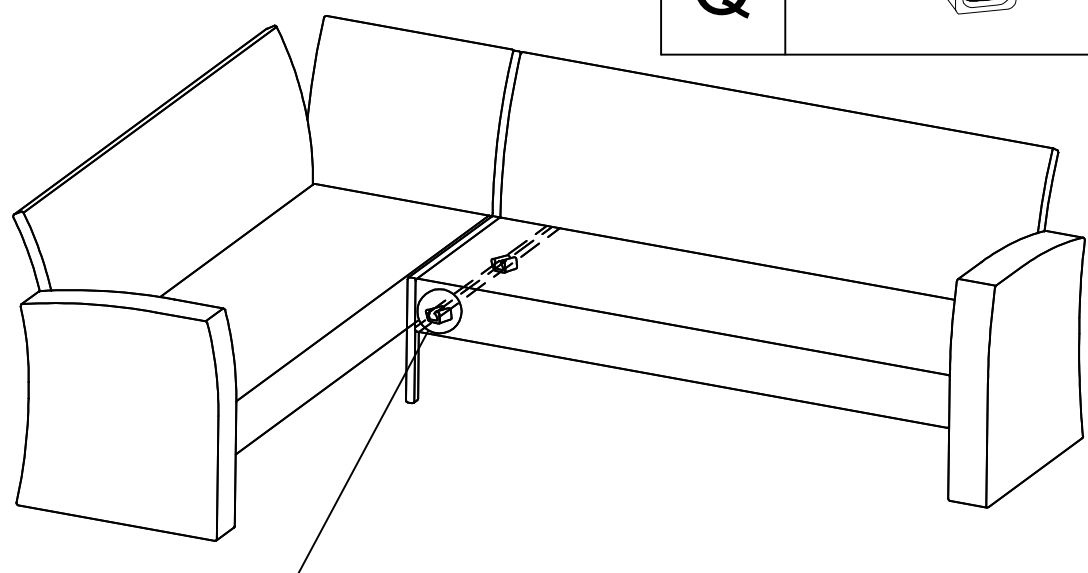




B₁ ↔ B₂

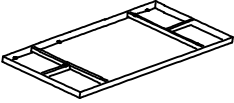








Q		2
---	---	---



ASSEMBLY INSTRUCTIONS / INSTRUCTIONS D'ASSEMBLAGE
 ITEM NO / NO ARTICLE: BERGG0TL (51406708T)

HARDWARE LIST / LISTE DES PIECES

A		1PC
B		1PC
C		2PCS
D		1PC

X		1PC
Y	 M6 x 15MM	10PCS
Z		10PCS

