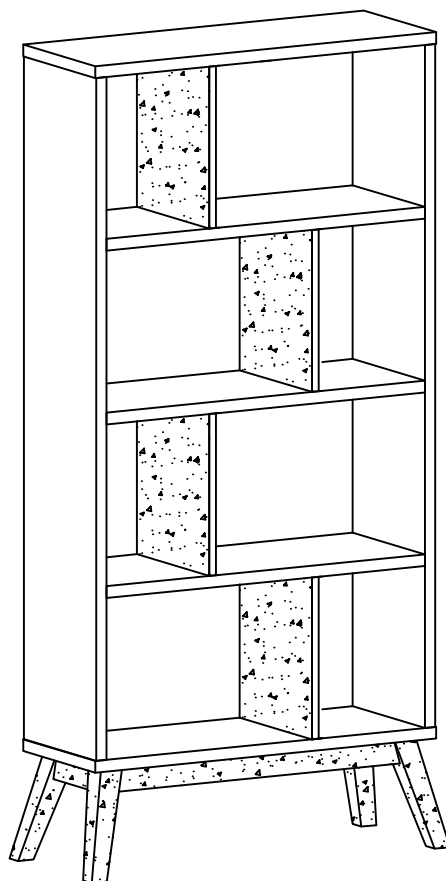


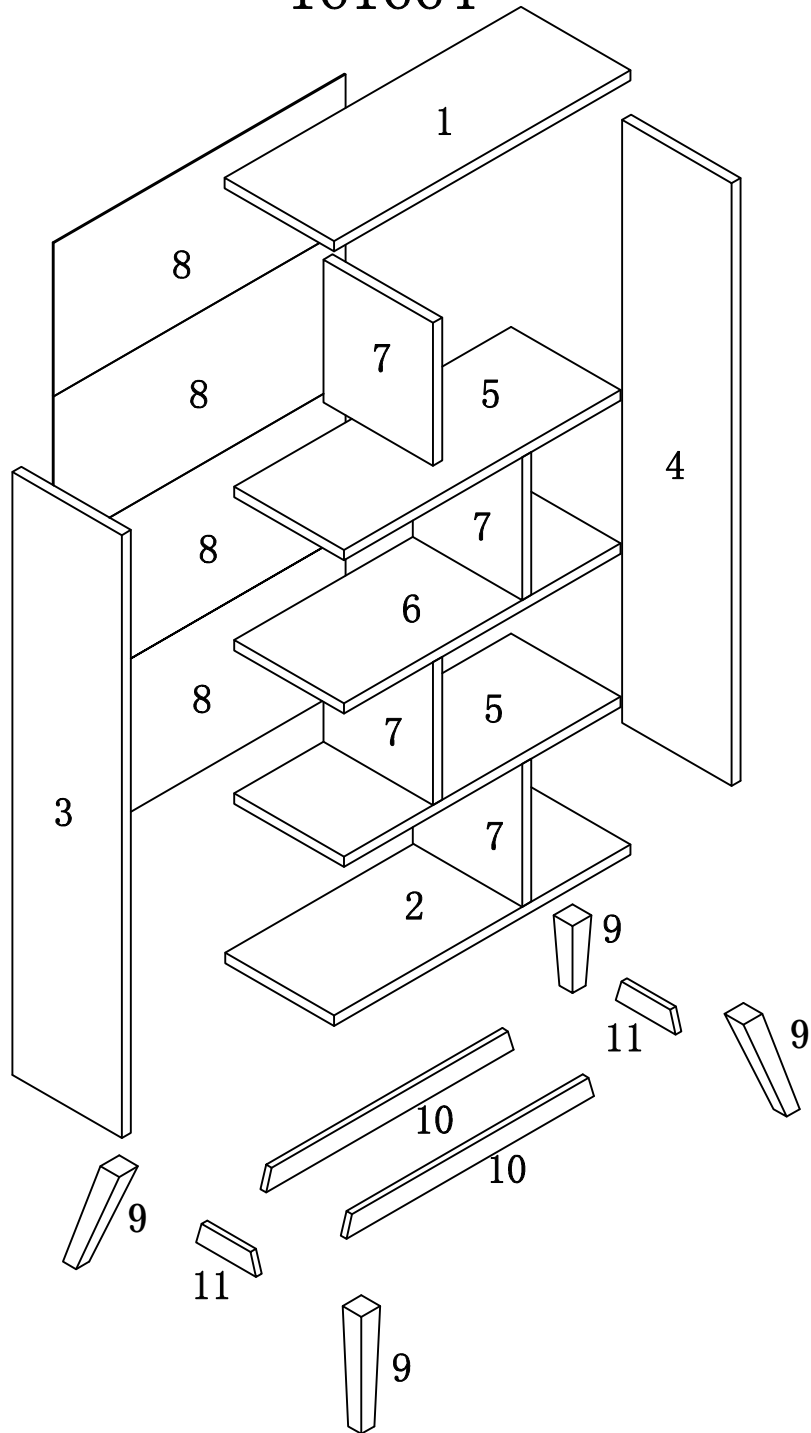
ASSEMBLY INSTRUCTIONS /
INSTRUCTIONS D'ASSEMBLAGE

ITEM NO/NO ARTICLE: BREMEBKC
161664



PARTS IDENTIFICATIONS / IDENTIFICATION DES PIECES

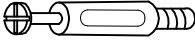



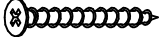










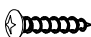


ITEM NO/NO ARTICLE: BREMEBKC
161664



(1)	1pc	(6)	2pcs	(11)	2pcs
(2)	1pc	(7)	4pcs		
(3)	1pc	(8)	4pcs		
(4)	1pc	(9)	4pcs		
(5)	2pcs	(10)	2pcs		

HARDWARE IDENTIFICATIONS/ IDENTIFICATION DU KIT D'ASSEMBLAGE

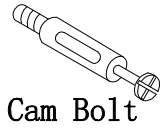
ITEM NO/NO ARTICLE: BREMEBKC
161664

A		L29	36pcs
B		ϕ 15	36pcs
C		ϕ 8 x 25	22pcs
D		ϕ 20	8pcs
E		ϕ 4 x 40	8pcs
F		ϕ 22	14pcs
G		M7 x 48	4pcs
H		ϕ 8 x ϕ 16x2	8pcs
I		M8 x 35	4pcs
J		M5	1pc
K			60pcs
L		ϕ 16	4pcs
M		ϕ 8x40	1pc
N		ϕ 12x12x1	2pcs
O		ϕ 5x40	1pc
P		ϕ 4x25	1pc
Q		197 x 5 x 1	1pc
R		Glue: For securing please apply to wood dowel first before inserting into panel	1pc

ASSEMBLY INSTRUCTION

ITEM NO/NO ARTICLE: BREMEBKC
161664

HOW TO

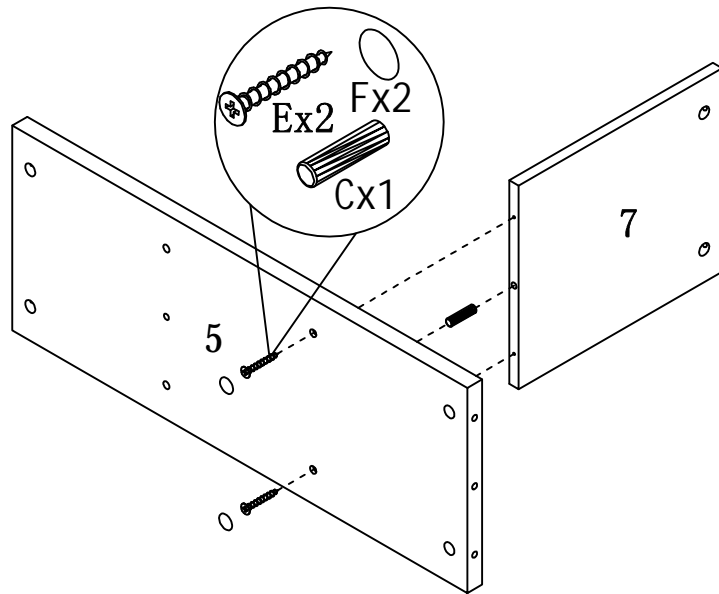
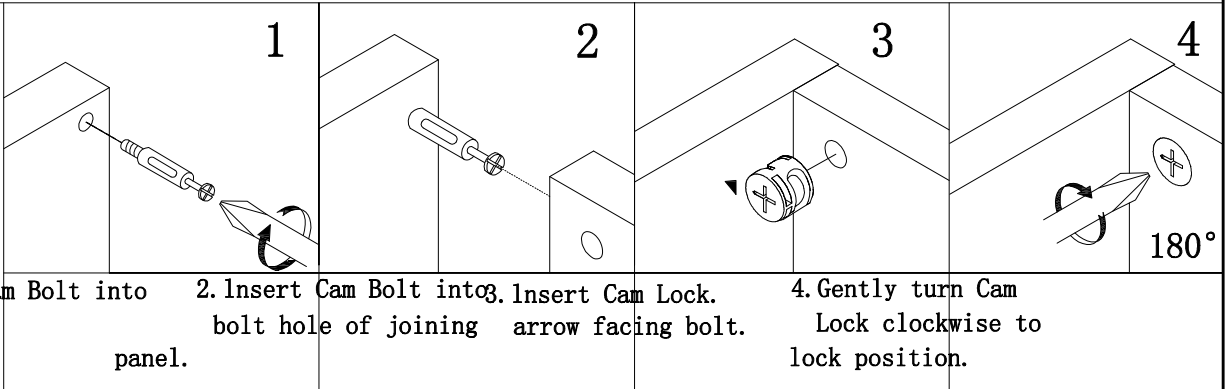


Cam Bolt



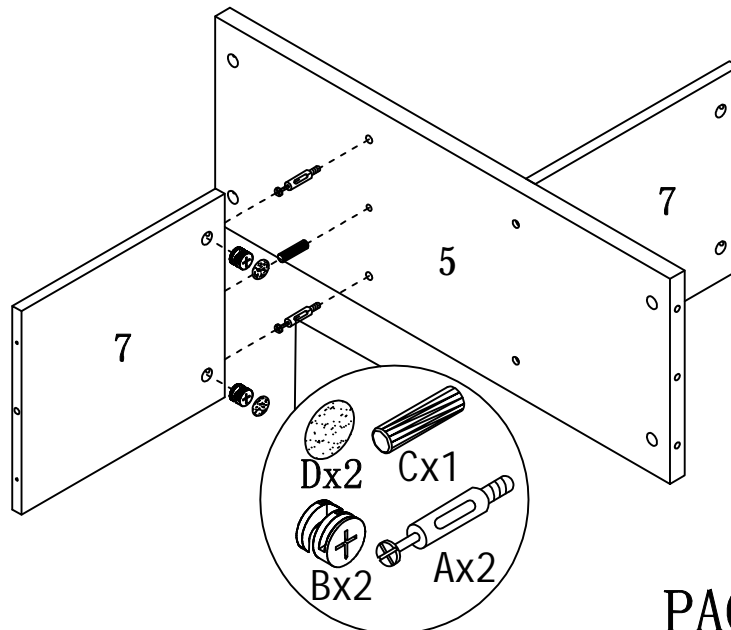
Cam Lock

panel



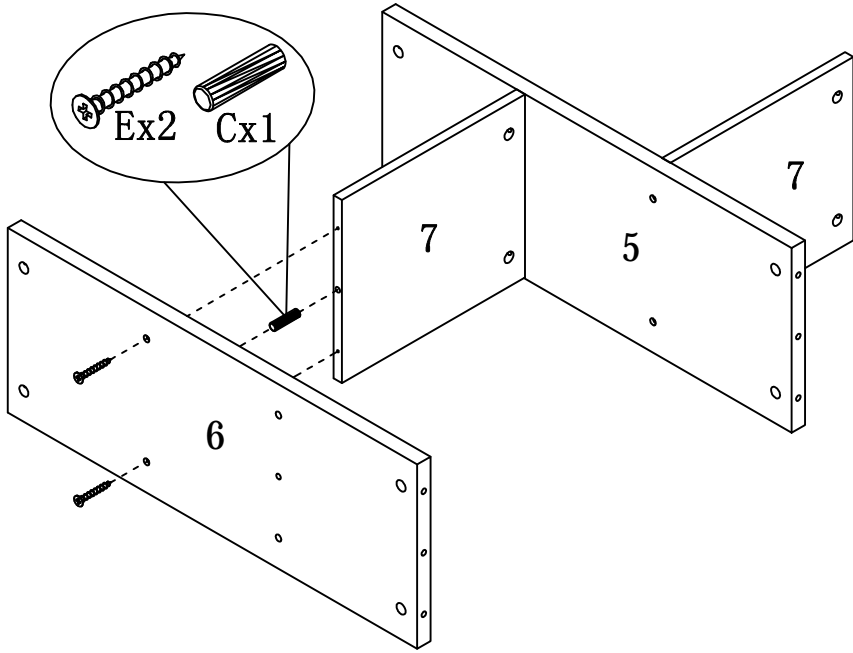
STEP1

STEP2



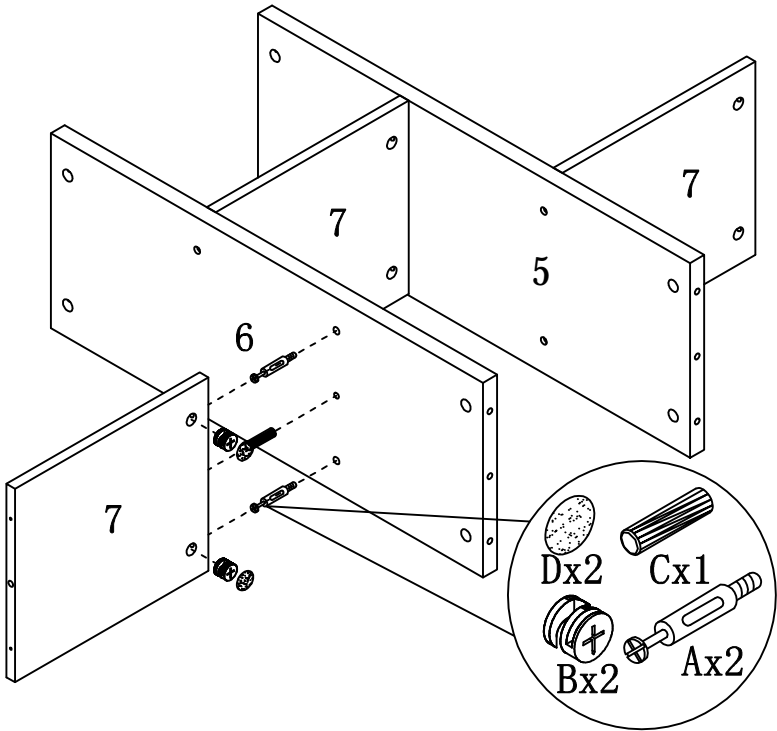
ASSEMBLY INSTRUCTION

ITEM NO/NO ARTICLE: BREMEBKC
161664



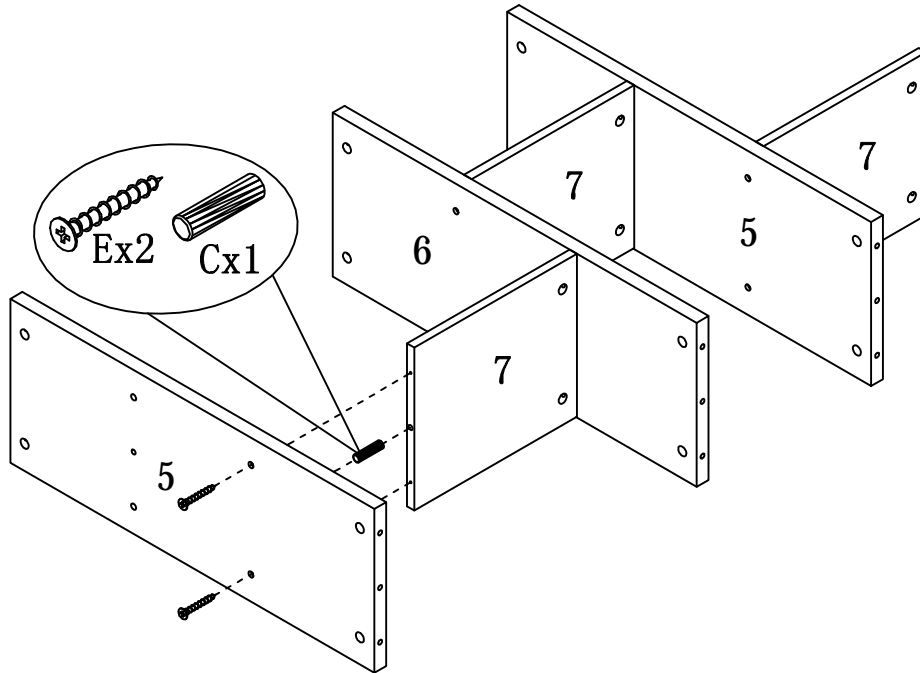
STEP3

STEP4



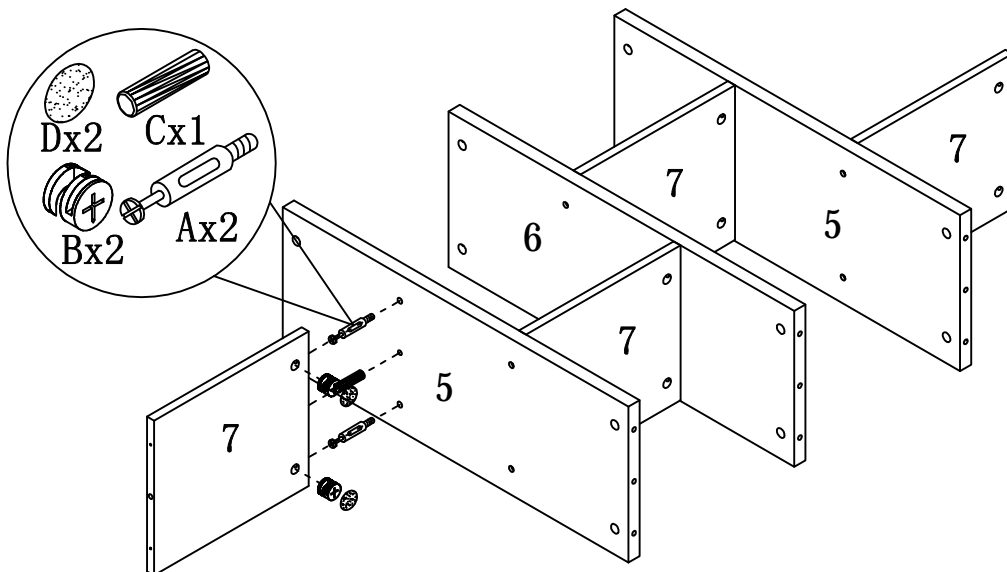
ASSEMBLY INSTRUCTION

ITEM NO/NO ARTICLE: BREMEBKC
161664



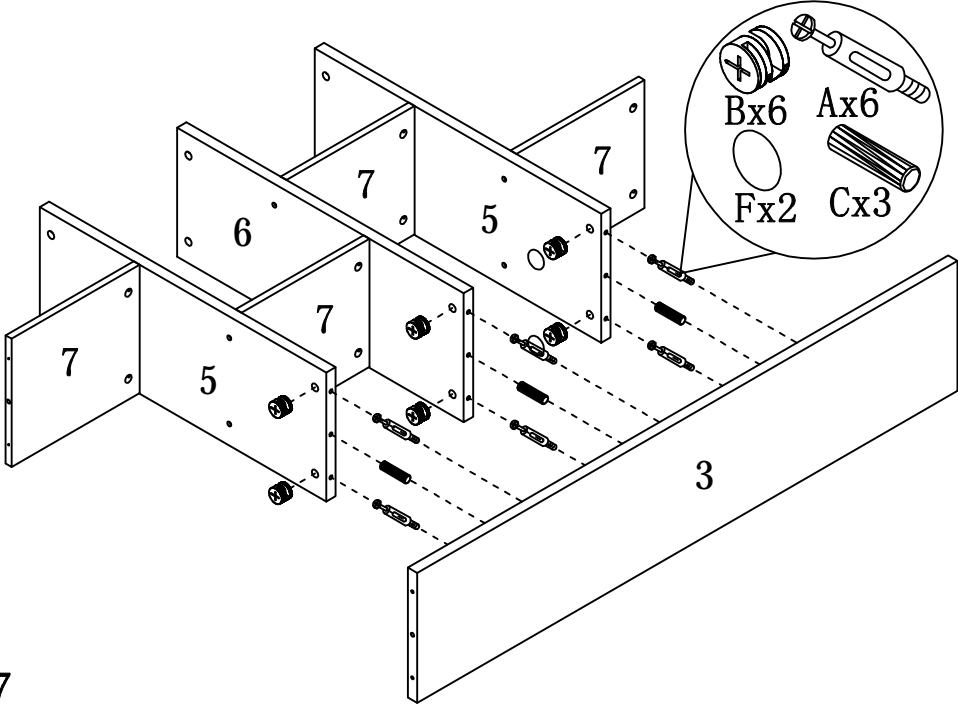
STEP5

STEP6



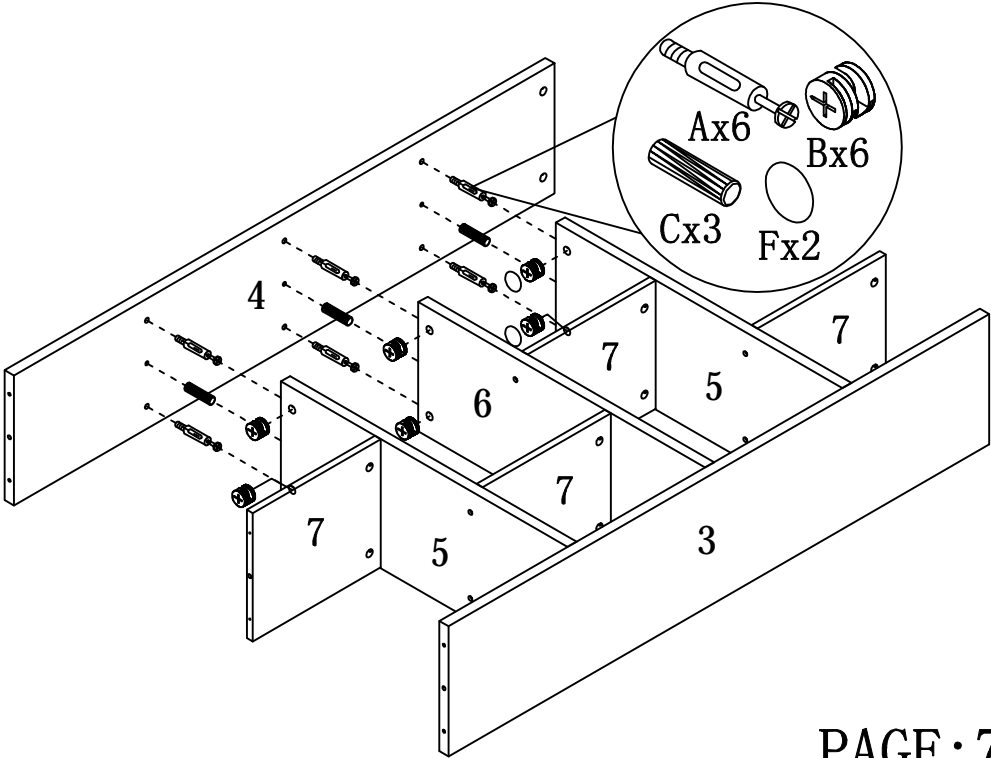
ASSEMBLY INSTRUCTION

ITEM NO/NO ARTICLE: BREMEBKC
161664



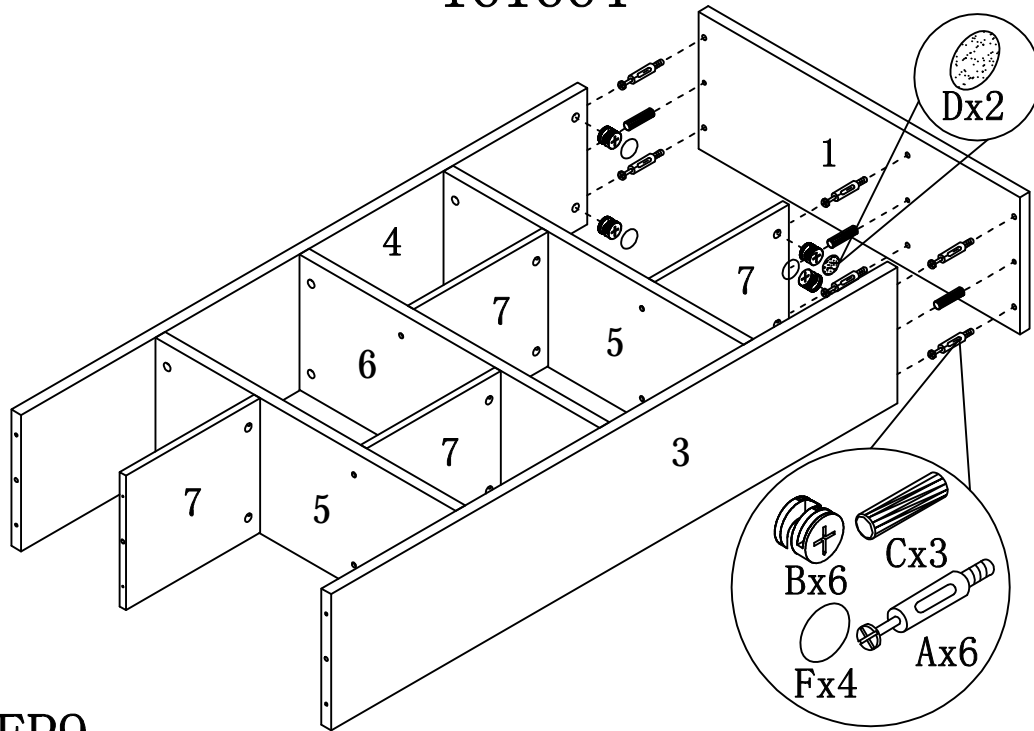
STEP7

STEP8



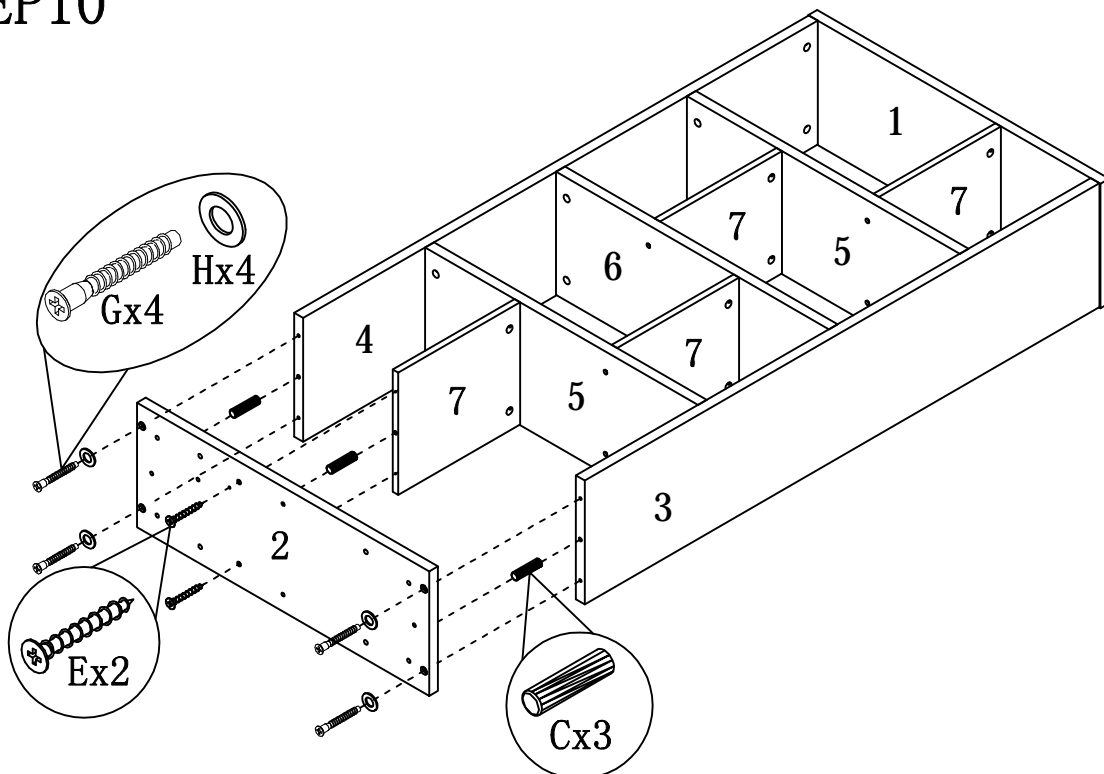
ASSEMBLY INSTRUCTION

ITEM NO/NO ARTICLE: BREMEBKC
161664



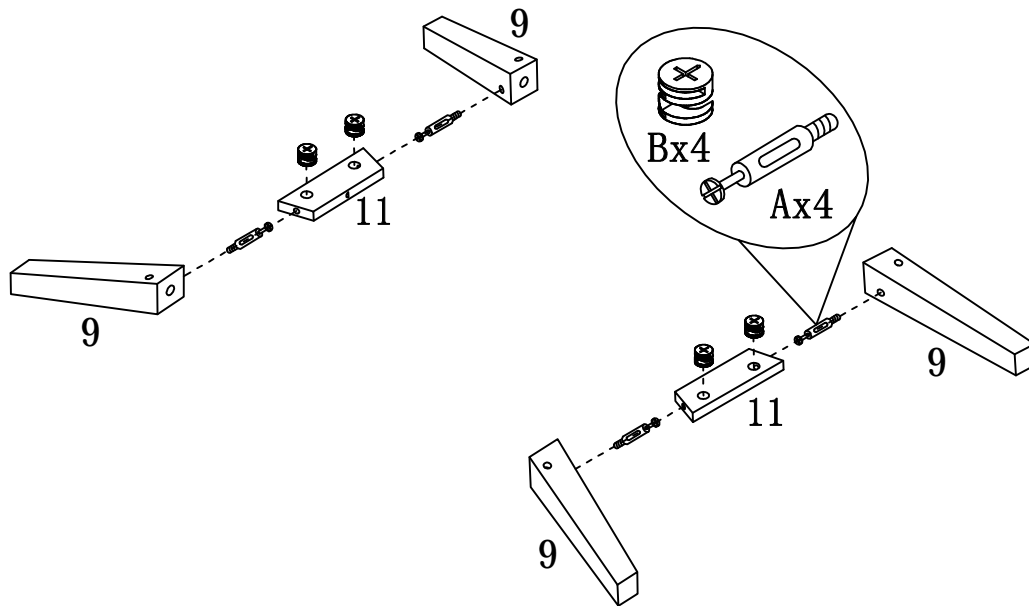
STEP9

STEP10



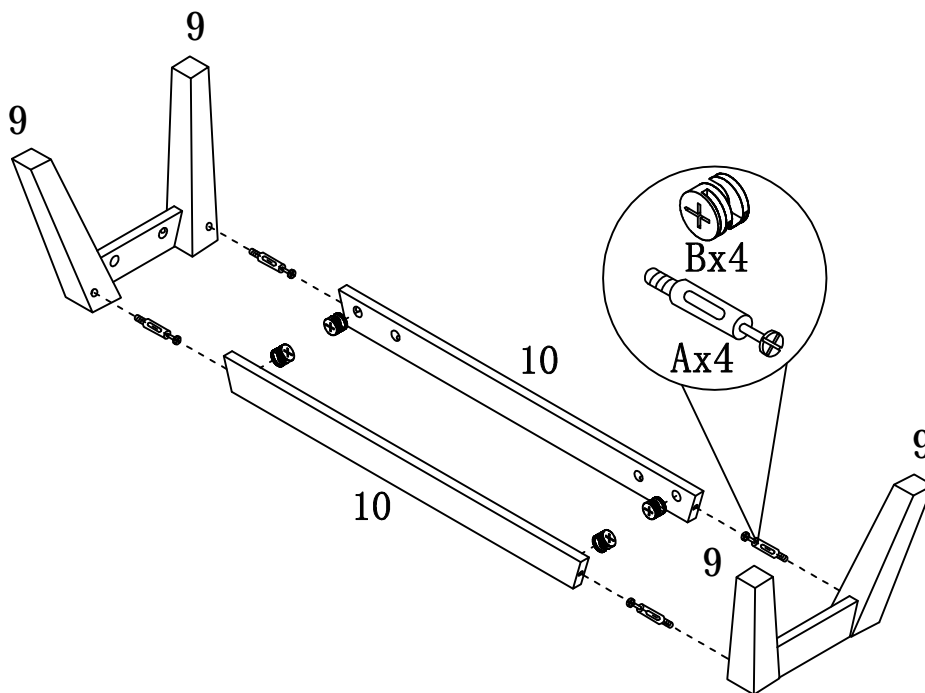
ASSEMBLY INSTRUCTION

ITEM NO/NO ARTICLE: BREMEBKC
161664



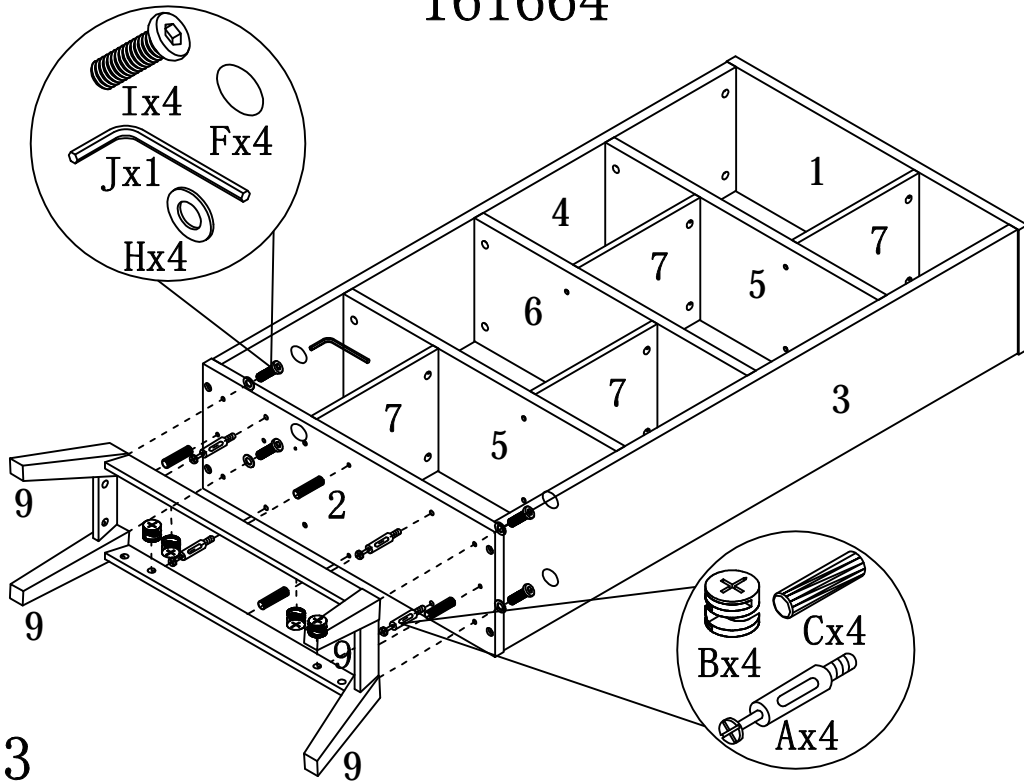
STEP11

STEP12

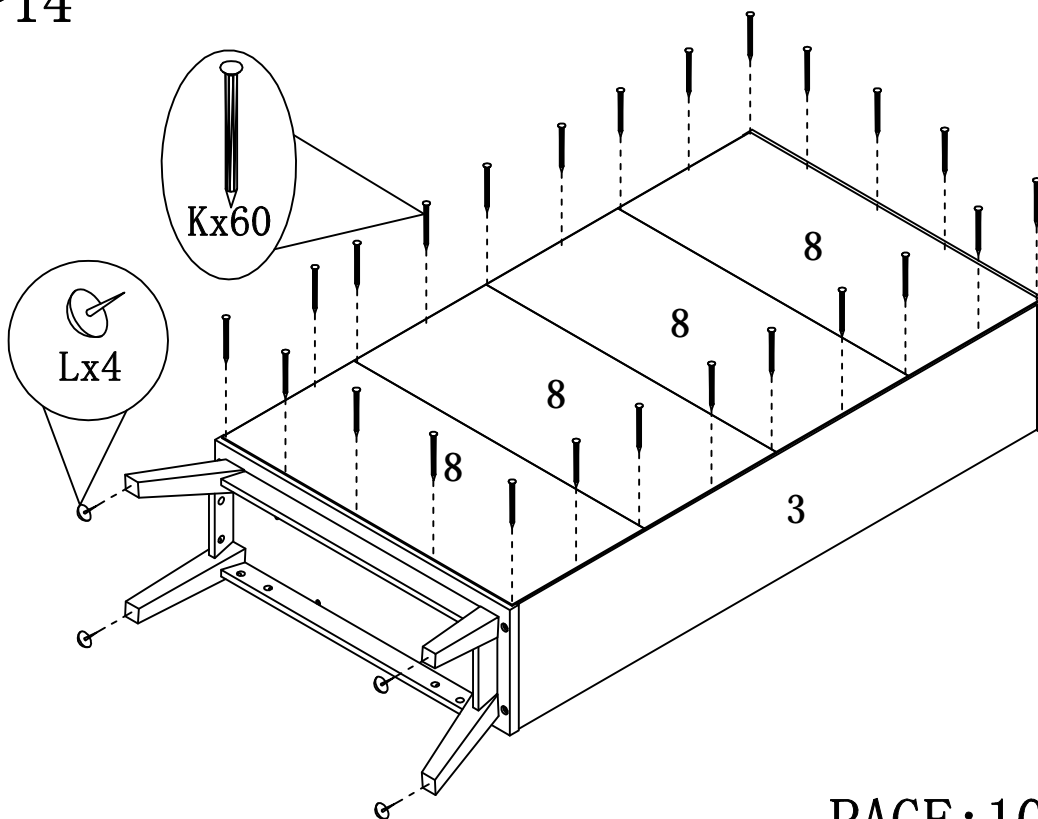


ASSEMBLY INSTRUCTION

ITEM NO/NO ARTICLE: BREMEBKC
161664



STEP14

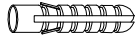


ANTI-TIPPING STRAP INSTRUCTION

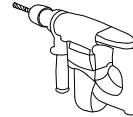
ITEM#:161664 161782

HARDWARE (INCLUDED) :

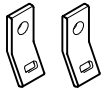
TOOLS NEEDED (NOT INCLUDED) :



DRYWALL ANCHOR $\phi 8 \times 40$ X 1PC



DRILL & DRILL BIT



METAL BRACKETS $12 \times 12 \times 1$ X 2PCS



LIGHT HAMMER



DRYWALL SCREW $\phi 5 \times 40$ X 1PC



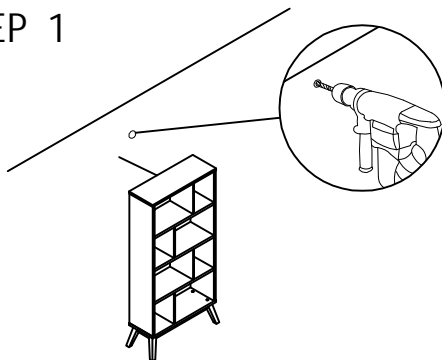
STRAP $197 \times 5 \times 1$ X 1PC



FLATHEAD SCREW $\phi 4 \times 25$ X 1PC

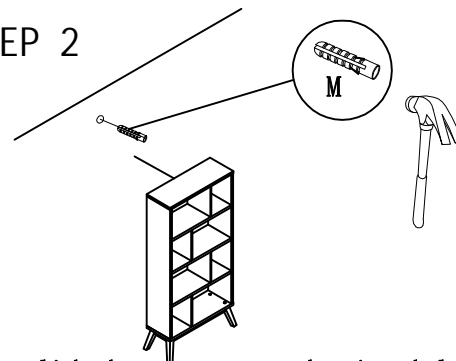
Note: Hardware included only compatible with standard drywalls.

STEP 1



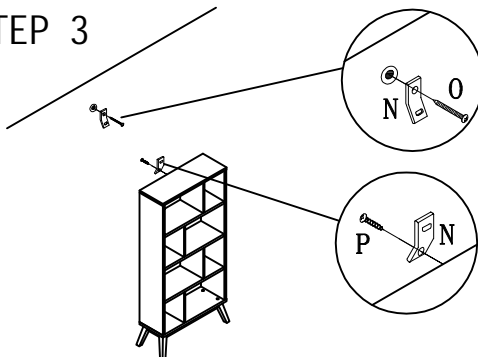
1. Find spot on wall 1" below top of item.
2. Using a drill bit slightly thinner than anchor, drill hole into drywall.

STEP 2



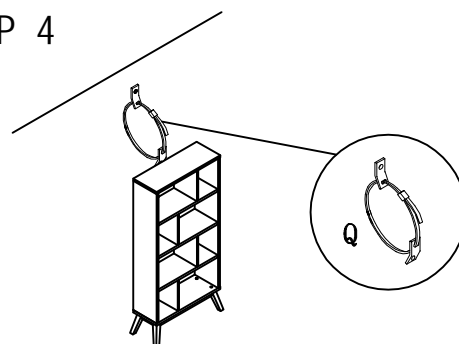
1. Use a light hammer to tap anchor into hole.
2. Anchor should fit snugly. If hole is too small, drill again to increase hole size. Do not force anchor into wall.

STEP 3



1. Insert drywall screw into metal bracket and into drywall anchor.
2. Insert flathead screw into second metal bracket and into back of item along top edge.

STEP 4



1. Insert strap thru bracket attached to wall, then thru bracket on item, and into head of strap.
 2. pull lightly til strap stops.
- Assembly is complete.