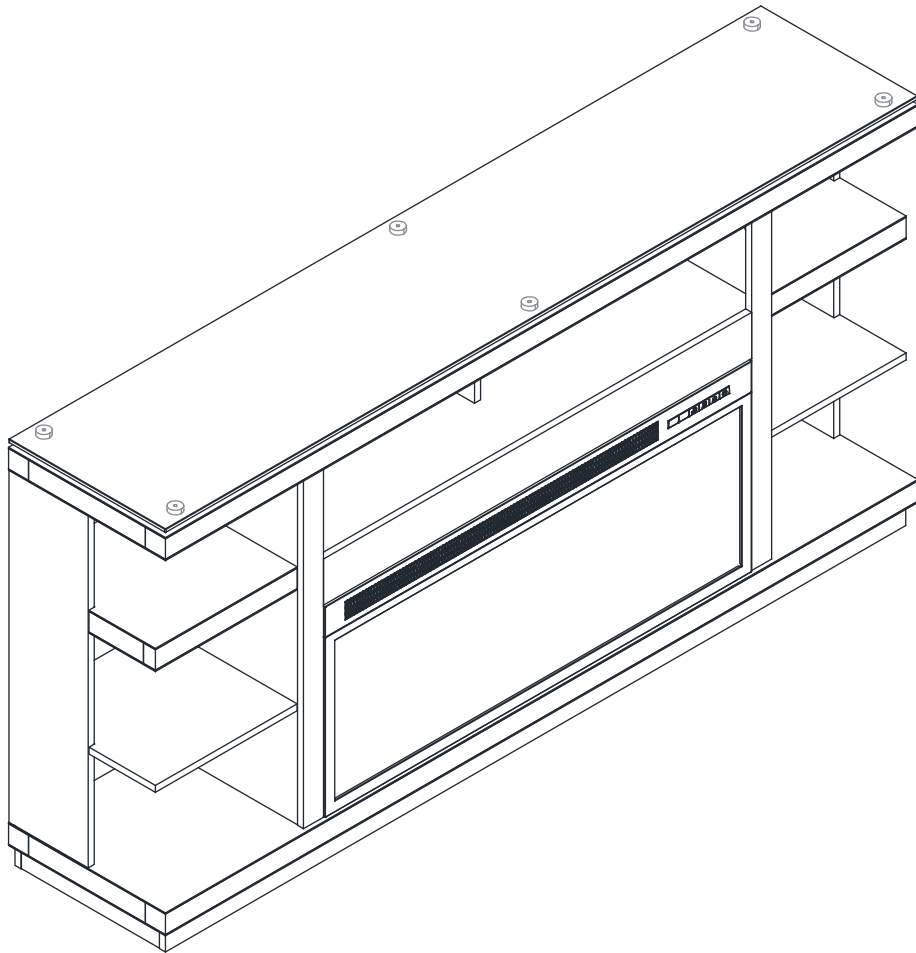


ASSEMBLY INSTRUCTIONS NOTICE D'ASSEMBLAGE

ITEM: HF230023A/AXEWNF1

Important note/Note importante:

1. Place all wooden parts on a clean and smooth surface such as a rug or carpet to avoid scratching the parts./Placer les pièces sur une surface propre et lisse tel qu'une couverture ou un tapis pour éviter d'endommager les pièces.
2. Kindly follow the assembly instructions step by step./ Veuillez suivre la notice d'assemblage, pas à pas.
3. Check to ensure this carton contains all parts./Vérifiez le contenu de cet emballage pour vous assurer qu'il contienne toutes les pièces.

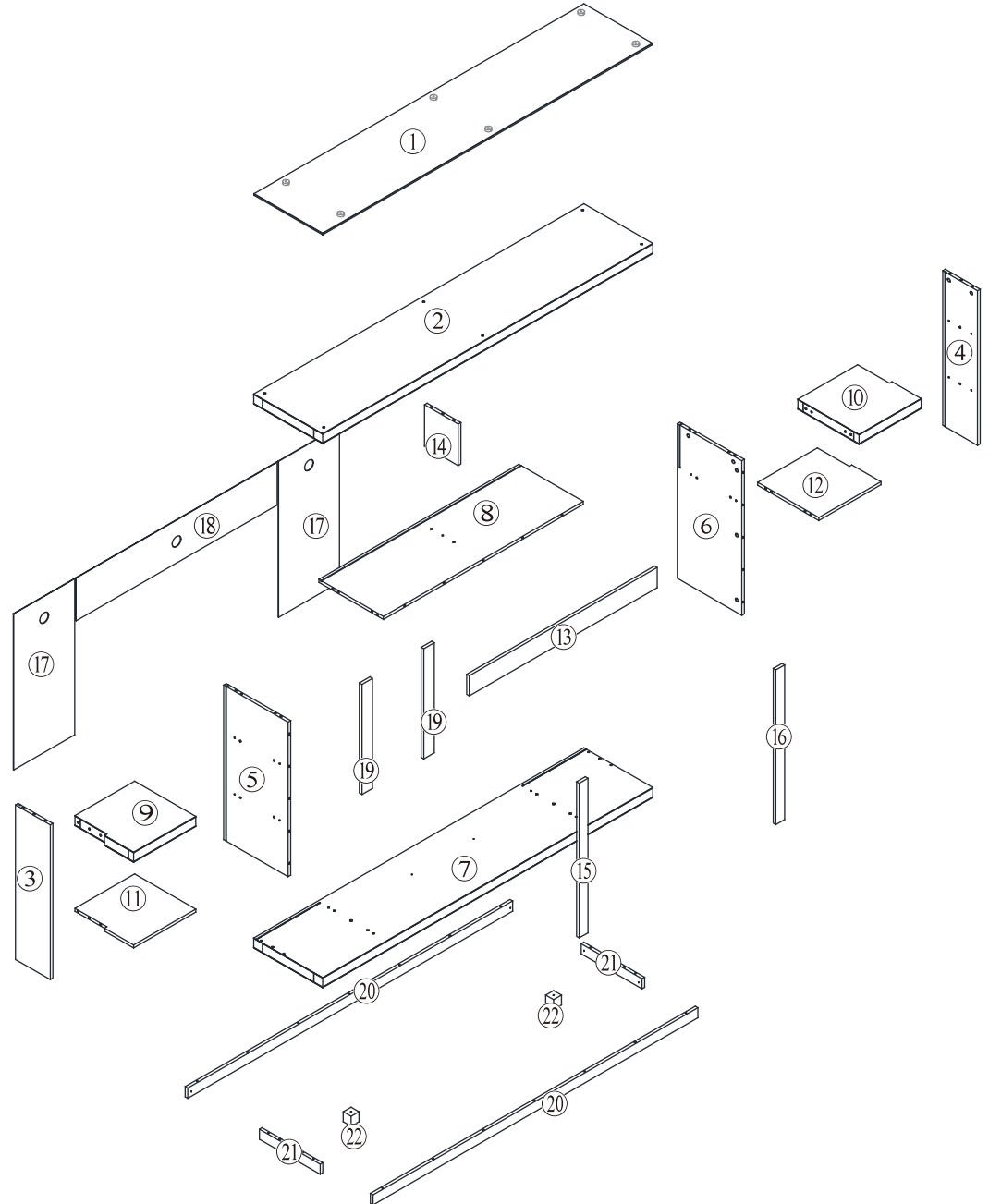


ASSEMBLY INSTRUCTIONS NOTICE D'ASSEMBLAGE

ITEM: HF230023A/AXEWNF1

PARTS IDENTIFICATION / IDENTIFICATION DES PIÈCES

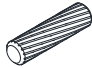
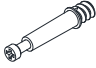





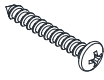

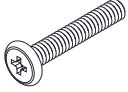

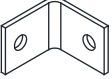

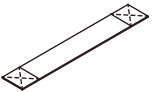
- ① x 1pc/pce
- ② x 1pc/pce
- ③ x 1pc/pce
- ④ x 1pc/pce
- ⑤ x 1pc/pce
- ⑥ x 1pc/pce
- ⑦ x 1pc/pce
- ⑧ x 1pc/pce
- ⑨ x 1pc/pce
- ⑩ x 1pc/pce
- ⑪ x 1pc/pce
- ⑫ x 1pc/pce
- ⑬ x 1pc/pce
- ⑭ x 1pc/pce
- ⑮ x 1pc/pce
- ⑯ x 1pc/pce
- ⑰ x 2pcs/pces
- ⑱ x 1pc/pce
- ⑲ x 2pcs/pces
- ⑳ x 2pcs/pces
- ㉑ x 2pcs/pces
- ㉒ x 2pcs/pces



ASSEMBLY INSTRUCTIONS NOTICE D'ASSEMBLAGE

ITEM: HF230023A/AXEWNFI1


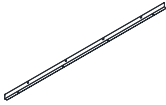
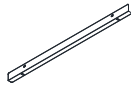


HARDWARE IDENTIFICATION / IDENTIFICATION DES PIÈCES MONTAGE

A		Φ7.8×30mm	48 pcs/pces
B		Φ6 X 36 mm	38 pcs/pces
C		Φ15×12mm	38 pcs/pces
D		Φ5×70mm	10 pcs/pces
E		Φ4×50mm	13 pcs/pces
F		Φ4×14mm	16 pcs/pces
G		Φ3×16mm	18 pcs/pces
H		Φ4×35mm	2 pcs/pces
I		Φ4×20mm	2 pcs/pces
J		Φ6×40mm	6 pcs/pces
K		14×13×9.5mm	18 pcs/pces
L		Φ26.5×26.5mm	8 pcs/pces
M		Φ6×30mm	2 pcs/pces
N		200×32×1.5mm	2 pcs/pces

ASSEMBLY INSTRUCTIONS NOTICE D'ASSEMBLAGE

ITEM: HF230023A/AXEWNFI1

HARDWARE IDENTIFICATION / IDENTIFICATION DES PIÈCES MONTAGE

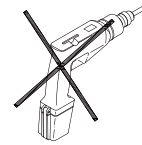
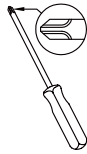
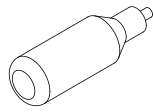
O		$\Phi 12 \times \Phi 6.2 \times 1 \text{mm}$	4 pcs/pces
AA		1066 \times 25 \times 15mm	1 pc/pce
BB		480 \times 25 \times 15mm	2 pcs/pces
CC		$\Phi 4 \times 10 \text{mm}$	8 pcs/pces+ extra 2 pcs/pces
DD		$\Phi 4 \times 6 \text{mm}$	8 pcs/pces+ extra 2 pcs/pces

Note: Hardware #AA #BB #CC #DD is packed in the package of fireplace insert.

Remarque : La quincaillerie #AA #BB #CC #DD est incluse dans l'emballage de l'insert de cheminée.

ASSEMBLY INSTRUCTIONS NOTICE D'ASSEMBLAGE

Necessary tools/Outils nécessaires



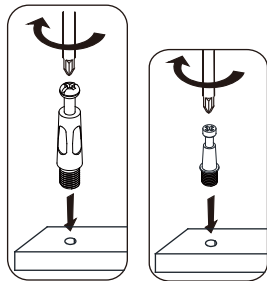
Glue not included (We recommend to apply some glue into holes before inserting wood dowels .)

Colle non inclus (Nous vous recommandons d'appliquer quelques gouttes de colle dans les trous avant d'introduire les chevilles de bois.)

Estimated Assembly Time: 50 minutes by two adults.

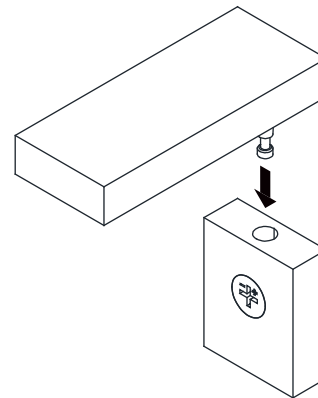
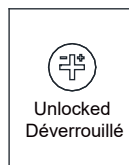
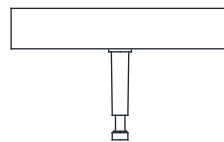
Temps d'assemblage estimé pour deux adultes : 50 minutes.

How to use cam lock system/Comment utiliser le système de verrouillage



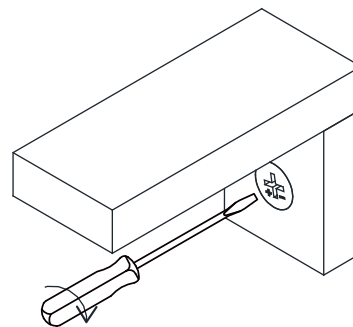
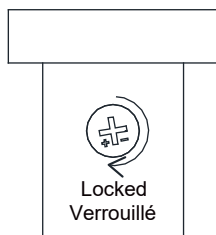
*Screw in cam post and tighten in place.

*Visser le montant de came et serrer en place.



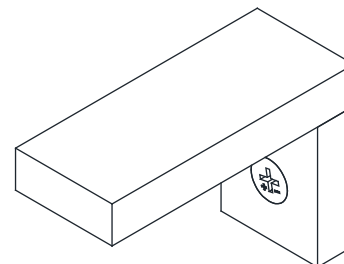
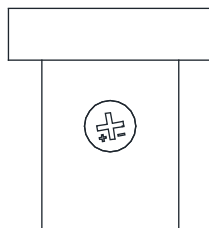
*Ensure that the cam lock arrow is pointed to the hole, align the cam lock screw to the hole of the cam lock case.

*Assurez-vous que la flèche de verrouillage sur l'écrou de sécurité est orientée vers l'orifice, insérez la vis de verrouillage dans l'orifice.



*Use a straight edge screwdriver to turn cam lock case until it is locked. Locked position is approximately 1/2 turn (210°) clock-wise.

*Utilisez un tournevis ligne droite pour faire tourner l'écrou de sécurité afin de le verrouiller. La position verrouillée est environ 1/2 tour (210°) à la droite.



*After turning the cam lock case to the locked position, the cam lock arrow will be located in the position shown above.

*Après avoir tourné l'écrou de sécurité pour le verrouiller, la flèche de serrure de came se situeront dans la position indiquée ci-dessus.

ASSEMBLY INSTRUCTIONS NOTICE D'ASSEMBLAGE

ITEM: HF230023A/AXEWNFI1

STEP 1 / ÉTAPE 1



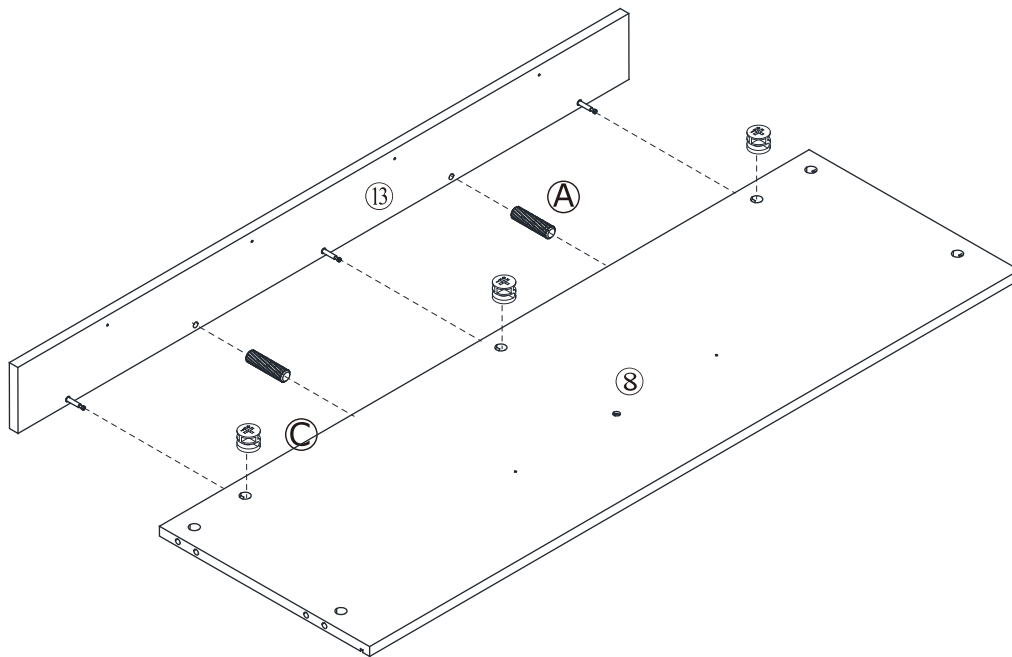
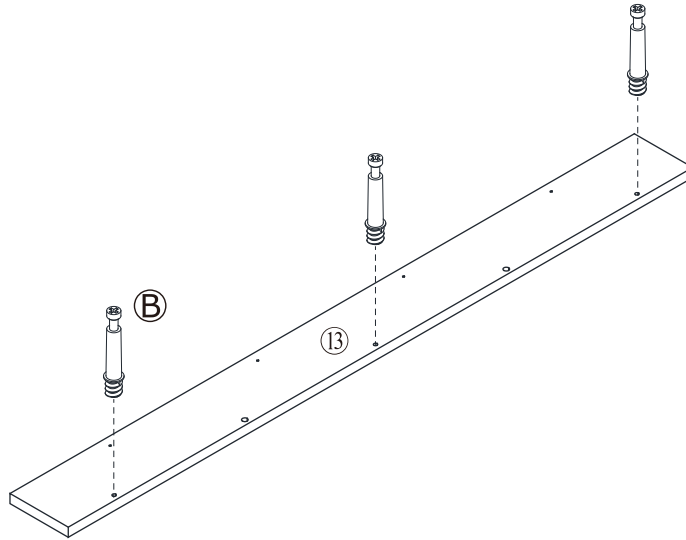
A x 2



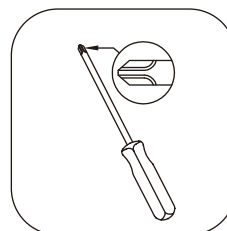
B x 3



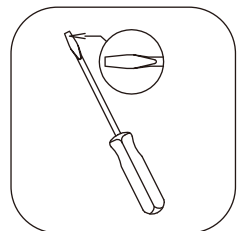
C x 3



TOOLS REQUIRED
(NOT INCLUDED)
OUTILS REQUIS
(NON COMPRIS)



TOOLS REQUIRED
(NOT INCLUDED)
OUTILS REQUIS
(NON COMPRIS)



ASSEMBLY INSTRUCTIONS NOTICE D'ASSEMBLAGE

ITEM: HF230023A/AXEWNF1

STEP 2 / ÉTAPE 2



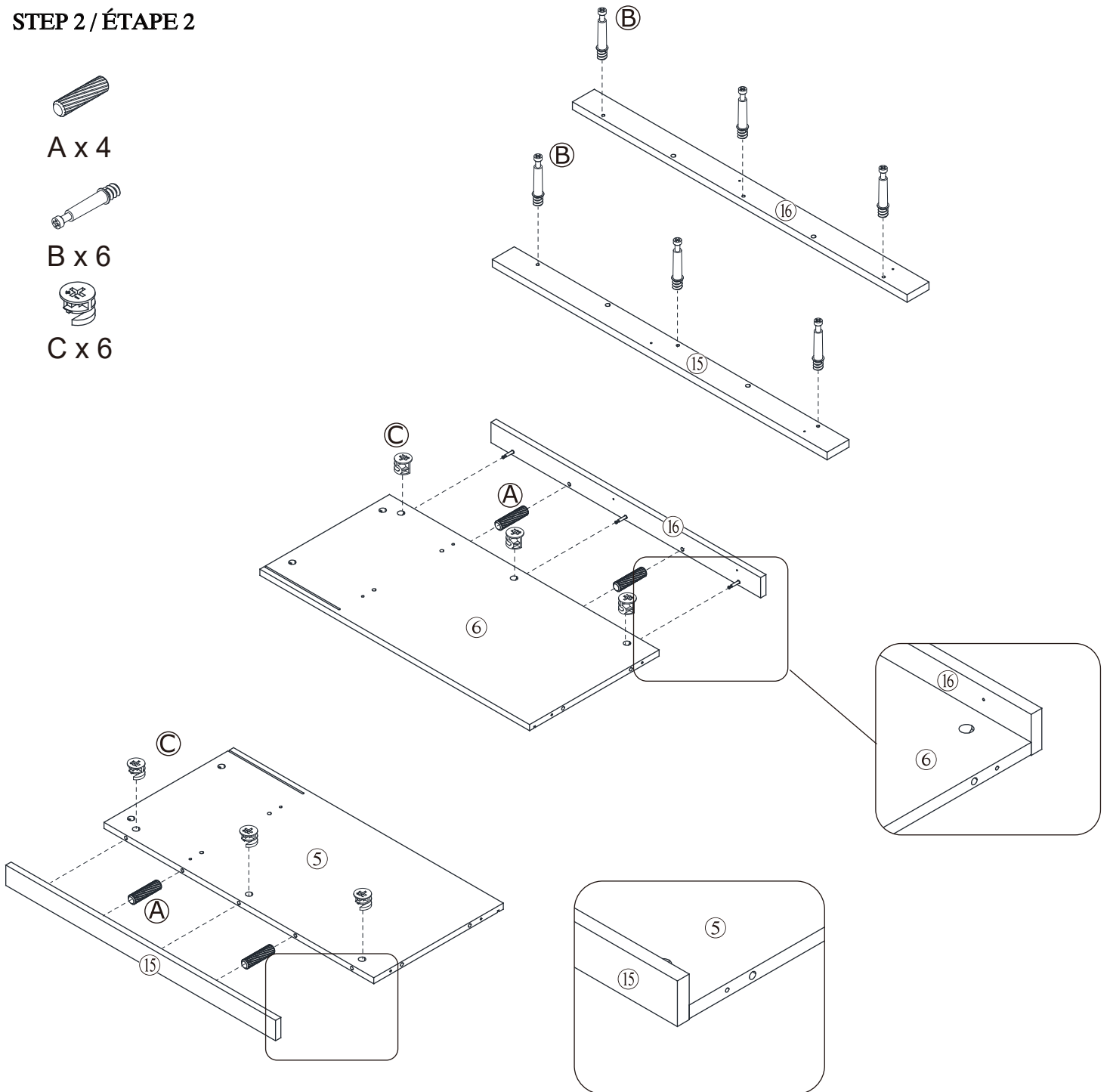
A x 4



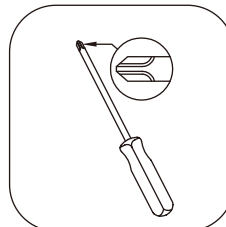
B x 6



C x 6



TOOLS REQUIRED
(NOT INCLUDED)
OUTILS REQUIS
(NON COMPRIS)



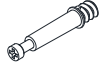
TOOLS REQUIRED
(NOT INCLUDED)
OUTILS REQUIS
(NON COMPRIS)



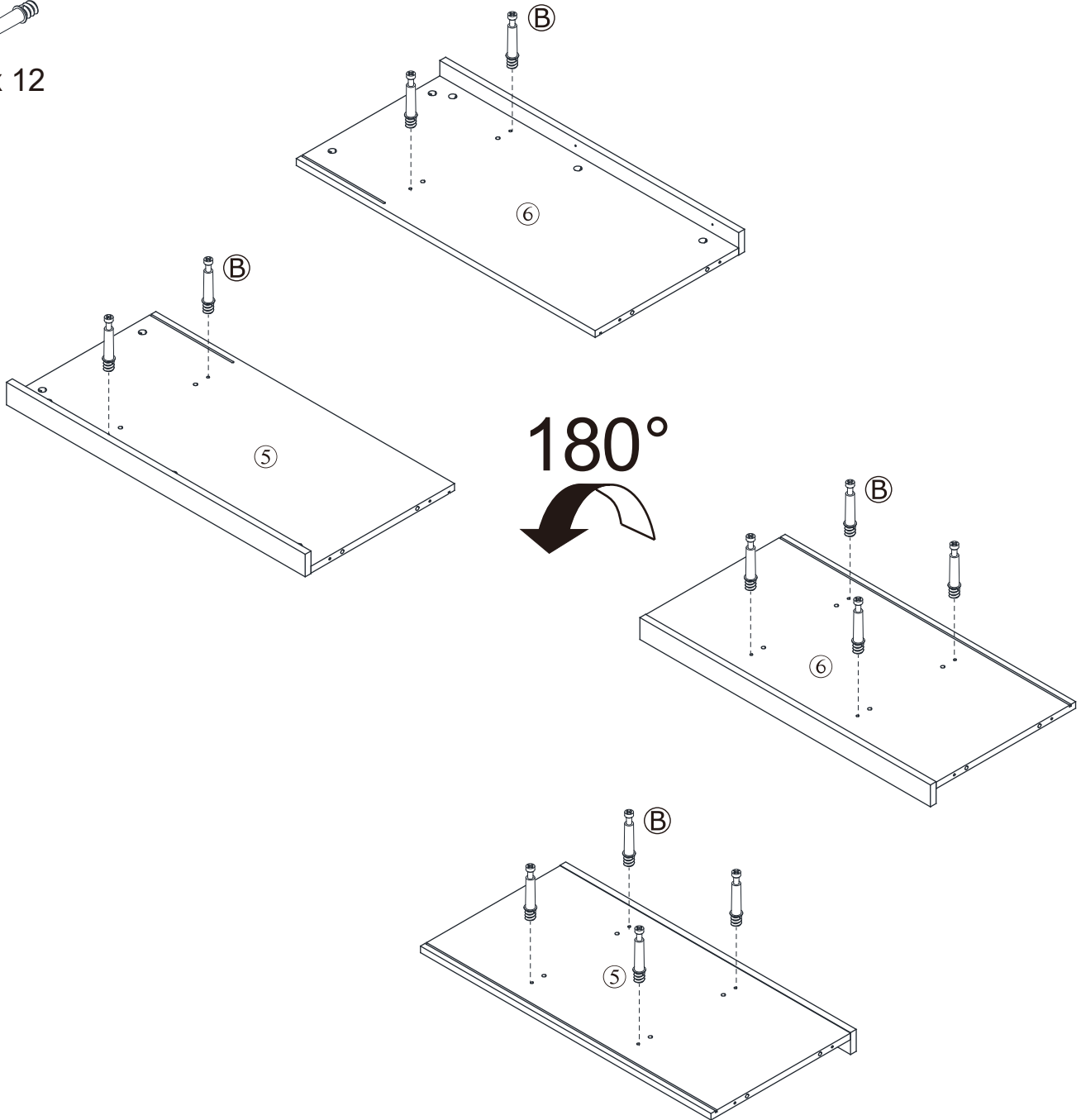
ASSEMBLY INSTRUCTIONS NOTICE D'ASSEMBLAGE

ITEM: HF230023A/AXEWNFI1

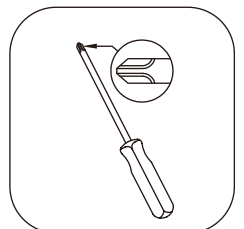
STEP 3 / ÉTAPE 3



B x 12



TOOLS REQUIRED
(NOT INCLUDED)
OUTILS REQUIS
(NON COMPRIS)



ASSEMBLY INSTRUCTIONS NOTICE D'ASSEMBLAGE

ITEM: HF230023A/AXEWNFI1

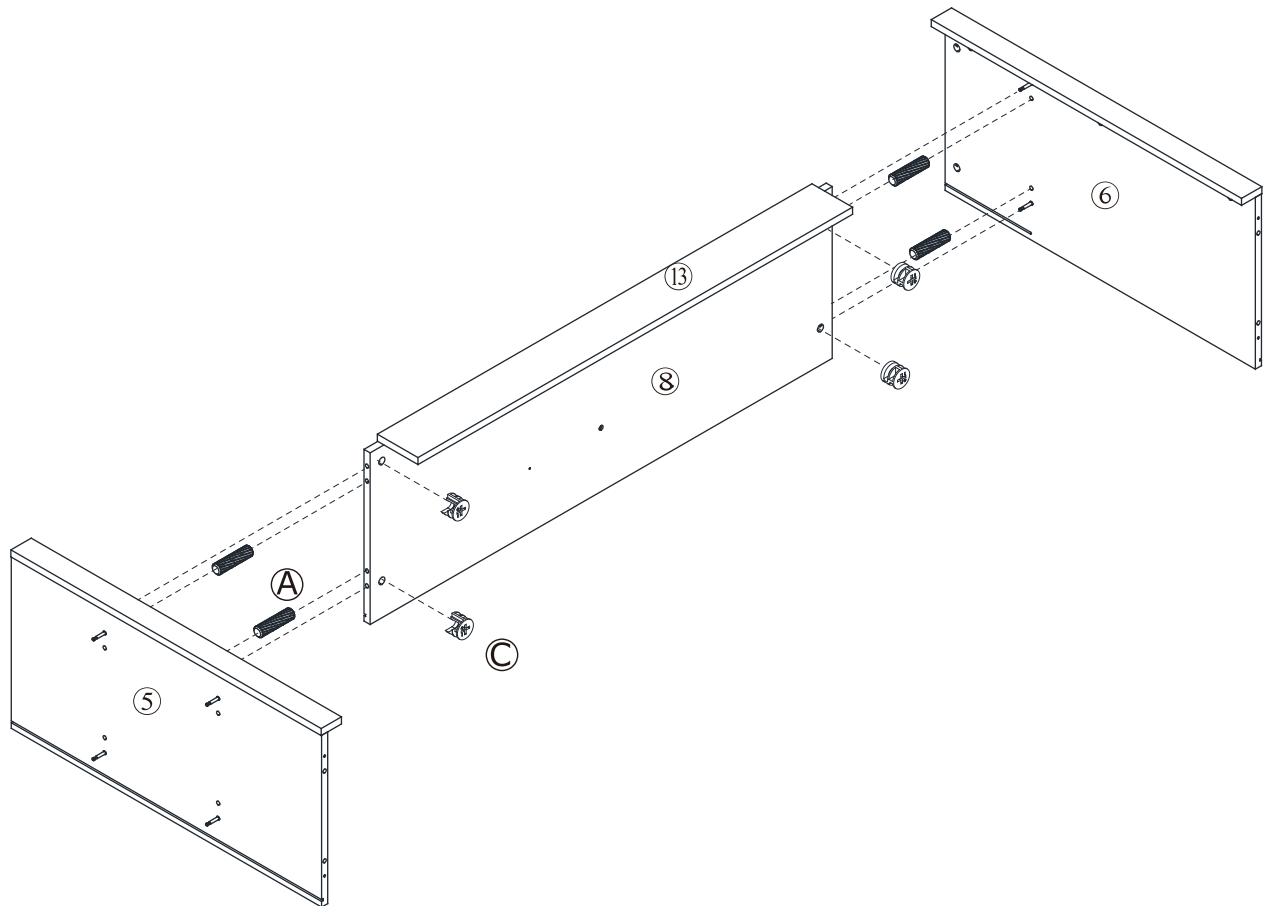
STEP 4 / ÉTAPE 4



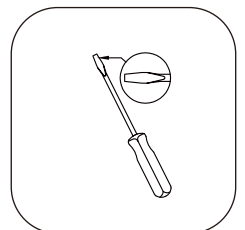
A x 4



C x 4



TOOLS REQUIRED
(NOT INCLUDED)
OUTILS REQUIS
(NON COMPRIS)



ASSEMBLY INSTRUCTIONS NOTICE D'ASSEMBLAGE

ITEM: HF230023A/AXEWNFI1

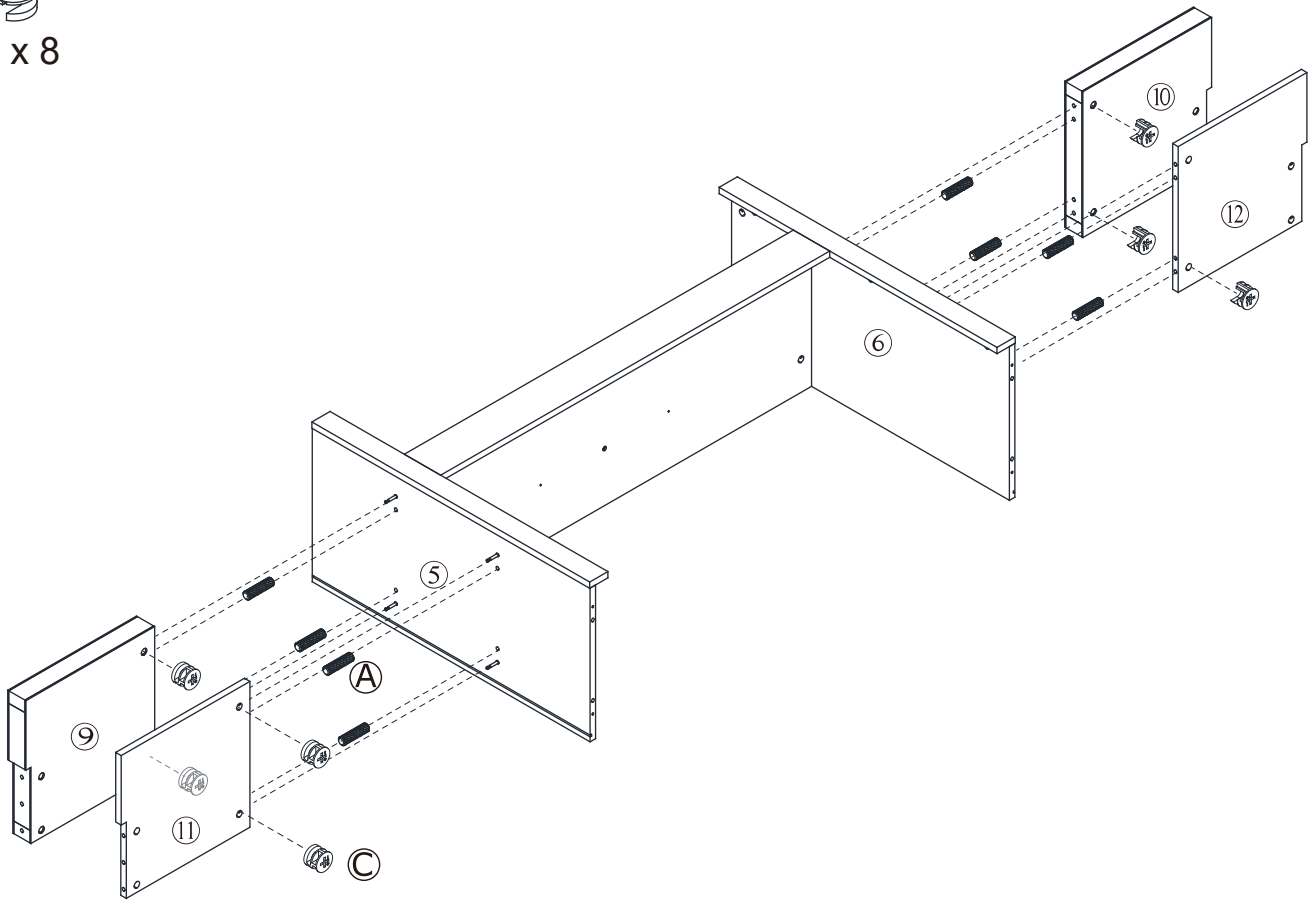
STEP 5 / ÉTAPE 5



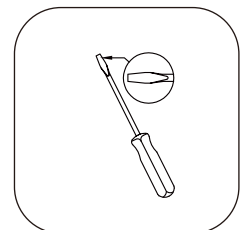
A x 8



C x 8



TOOLS REQUIRED
(NOT INCLUDED)
OUTILS REQUIS
(NON COMPRIS)



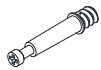
ASSEMBLY INSTRUCTIONS NOTICE D'ASSEMBLAGE

ITEM: HF230023A/AXEWNFI1

STEP 6 / ÉTAPE 6



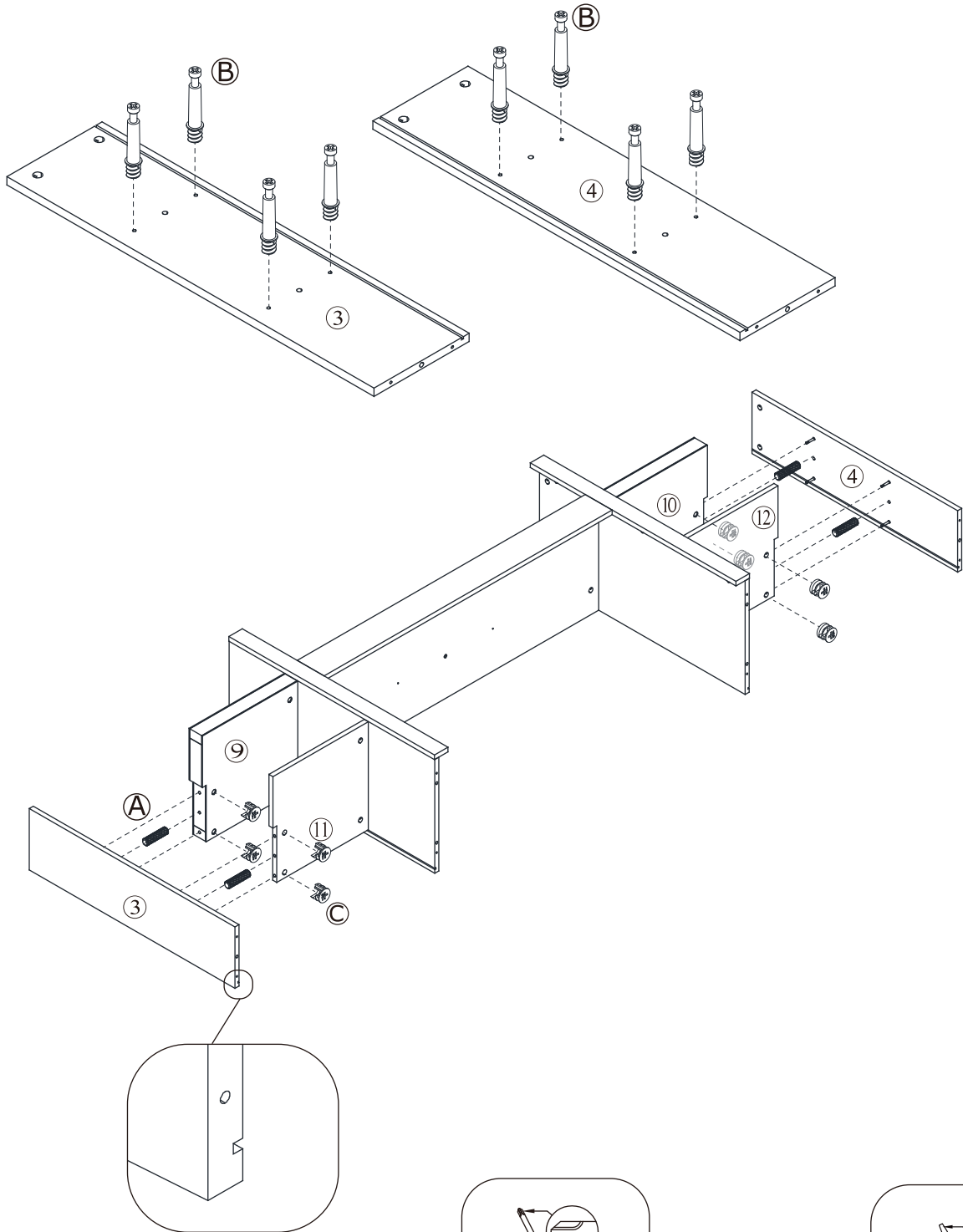
A x 4



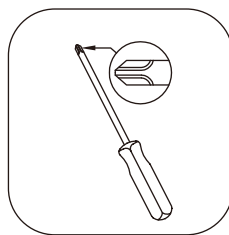
B x 8



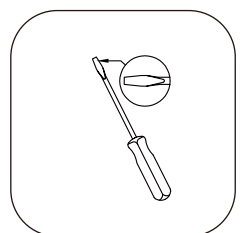
C x 8



TOOLS REQUIRED
(NOT INCLUDED)
OUTILS REQUIS
(NON COMPRIS)



TOOLS REQUIRED
(NOT INCLUDED)
OUTILS REQUIS
(NON COMPRIS)



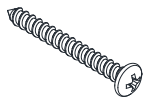
ASSEMBLY INSTRUCTIONS NOTICE D'ASSEMBLAGE

ITEM: HF230023A/AXEWNFI1

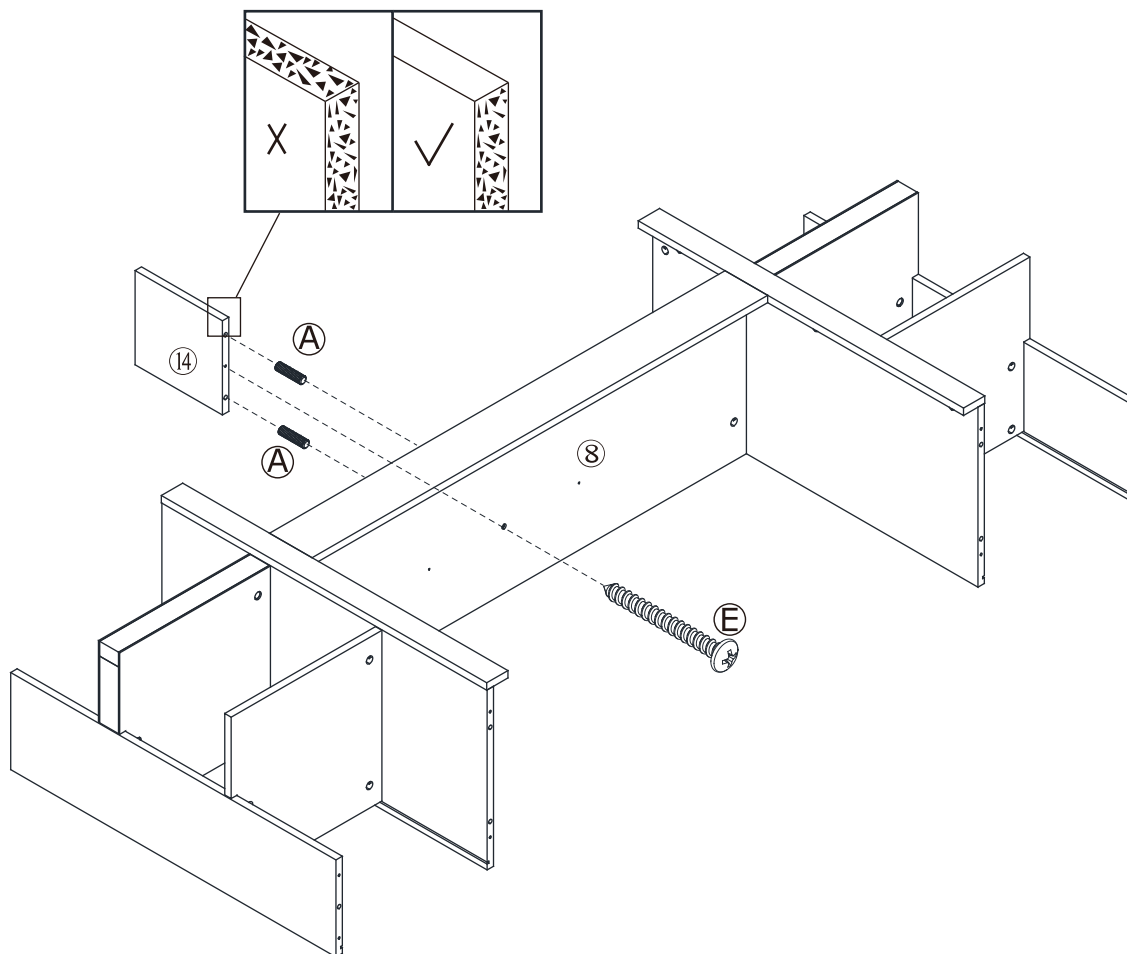
STEP 7 / ÉTAPE 7



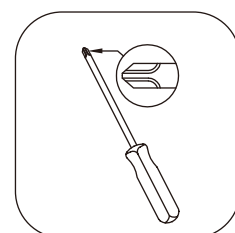
A x 2



E x 1



TOOLS REQUIRED
(NOT INCLUDED)
OUTILS REQUIS
(NON COMPRIS)



ASSEMBLY INSTRUCTIONS NOTICE D'ASSEMBLAGE

ITEM: HF230023A/AXEWNFI1

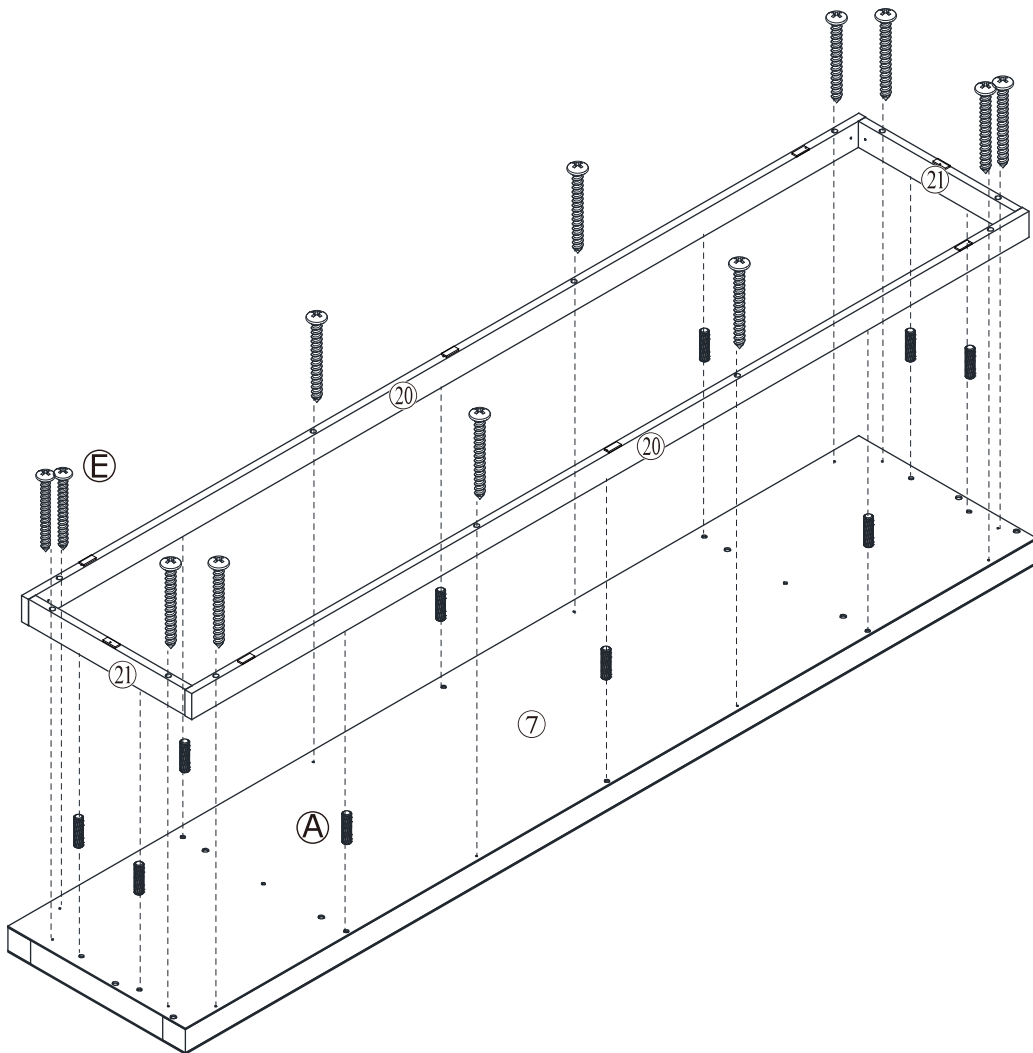
STEP 8 / ÉTAPE 8



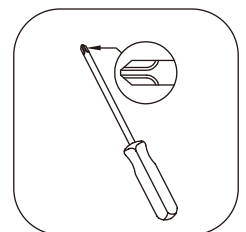
A x 10



E x 12



TOOLS REQUIRED
(NOT INCLUDED)
OUTILS REQUIS
(NON COMPRIS)



ASSEMBLY INSTRUCTIONS NOTICE D'ASSEMBLAGE

ITEM: HF230023A/AXEWNFI1

STEP 9 / ÉTAPE 9



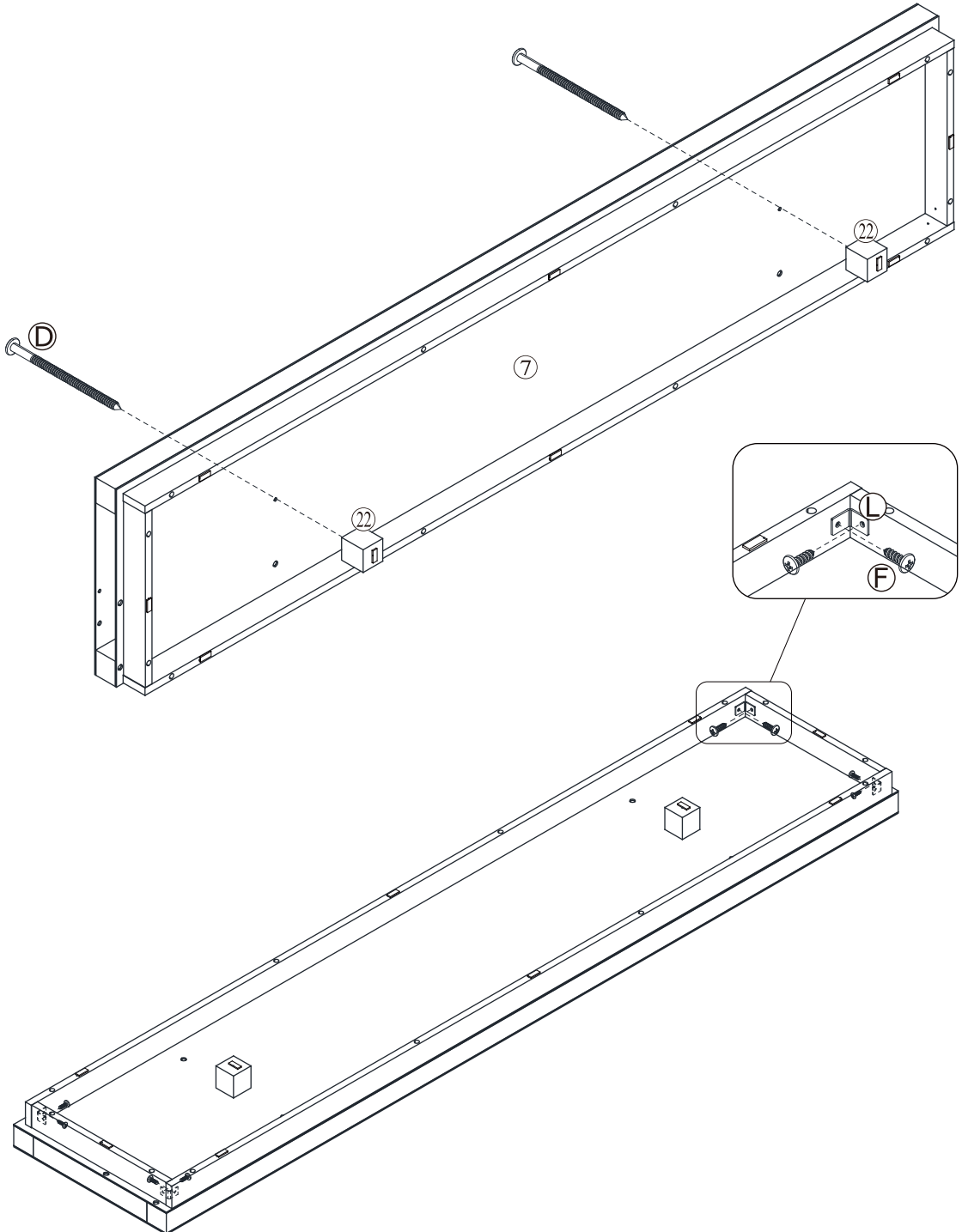
D x 2



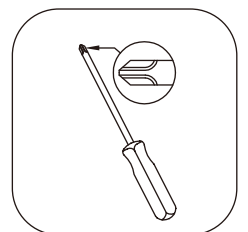
F x 8



L x 4



TOOLS REQUIRED
(NOT INCLUDED)
OUTILS REQUIS
(NON COMPRIS)



ASSEMBLY INSTRUCTIONS NOTICE D'ASSEMBLAGE

ITEM: HF230023A/AXEWNF1

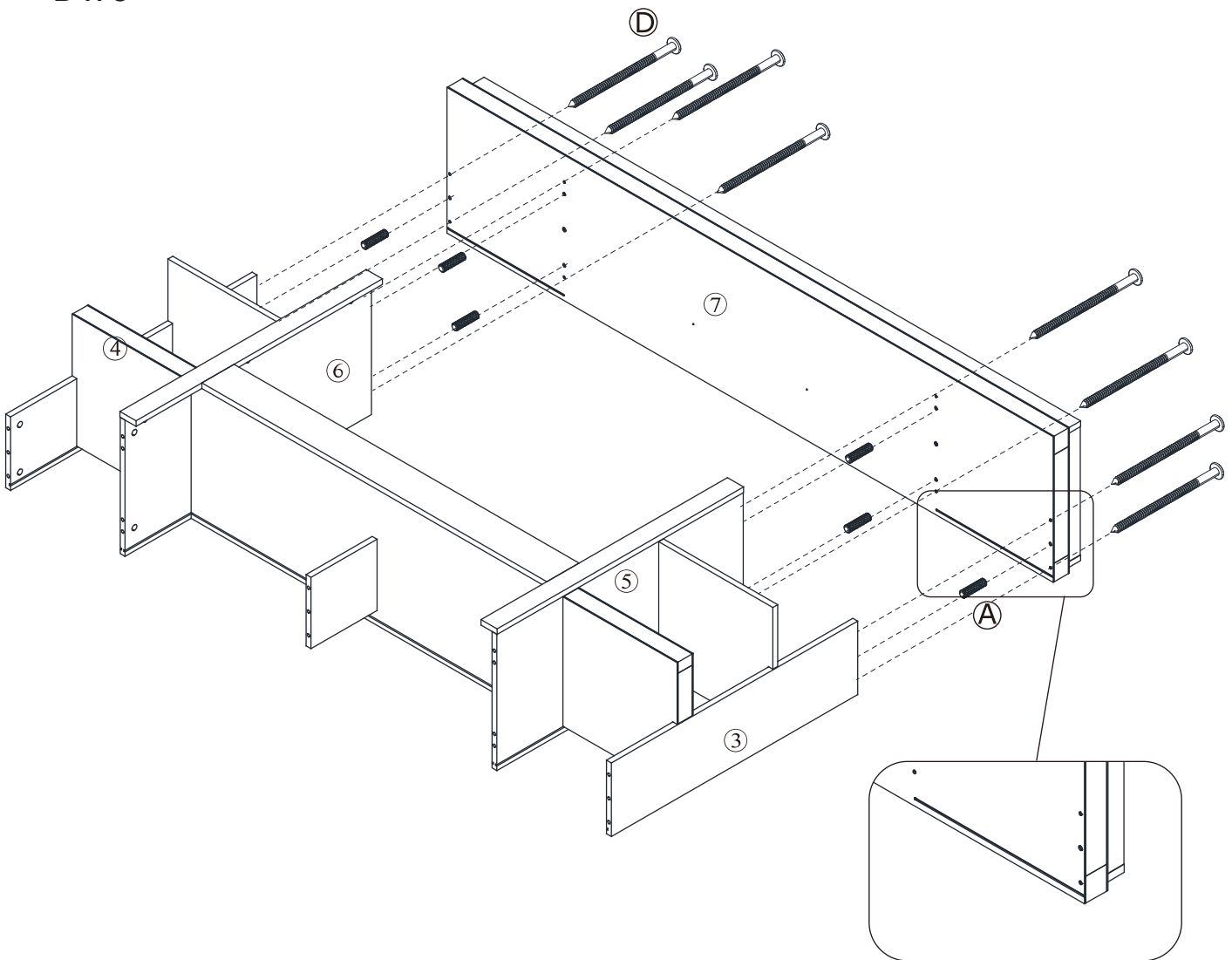
STEP 10 / ÉTAPE 10



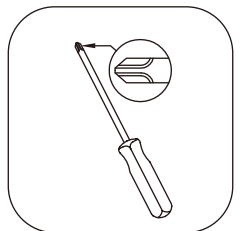
A x 6



D x 8



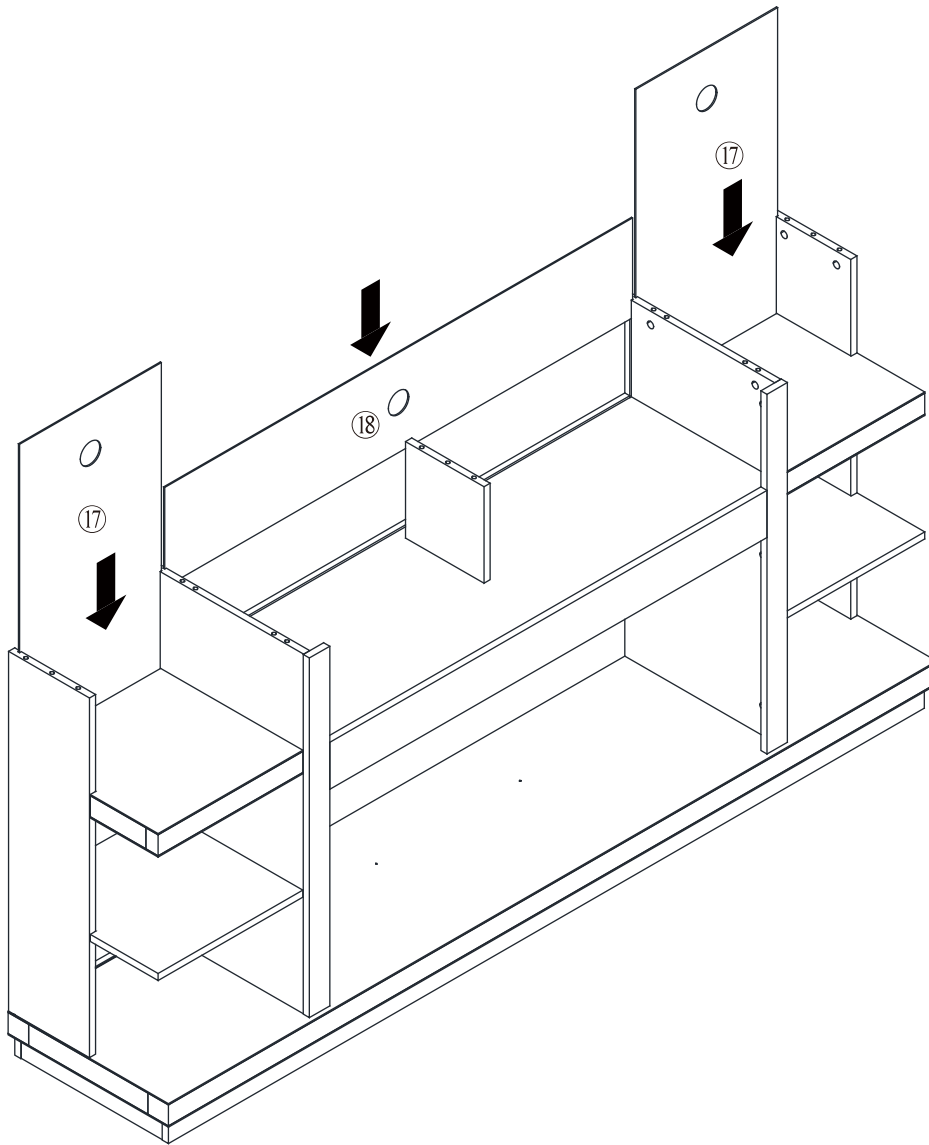
TOOLS REQUIRED
(NOT INCLUDED)
OUTILS REQUIS
(NON COMPRIS)



ASSEMBLY INSTRUCTIONS NOTICE D'ASSEMBLAGE

ITEM: HF230023A/AXEWNF1

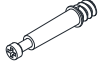
STEP 11 / ÉTAPE 11



ASSEMBLY INSTRUCTIONS NOTICE D'ASSEMBLAGE

ITEM: HF230023A/AXEWNFI1

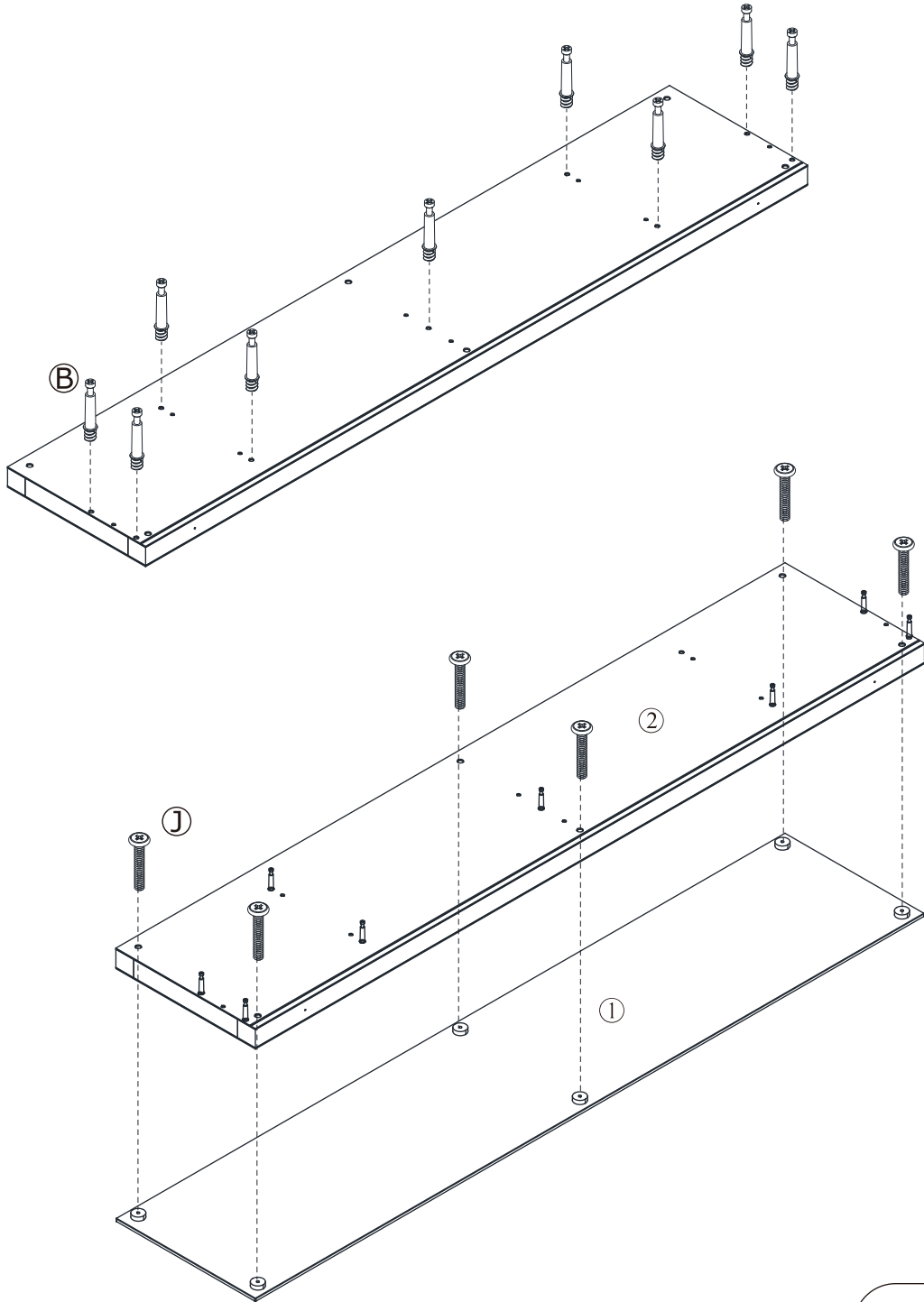
STEP 12 / ÉTAPE 12



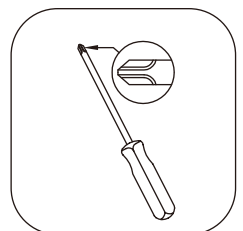
B x 9



J x 6



TOOLS REQUIRED
(NOT INCLUDED)
OUTILS REQUIS
(NON COMPRIS)



ASSEMBLY INSTRUCTIONS NOTICE D'ASSEMBLAGE

ITEM: HF230023A/AXEWNF1

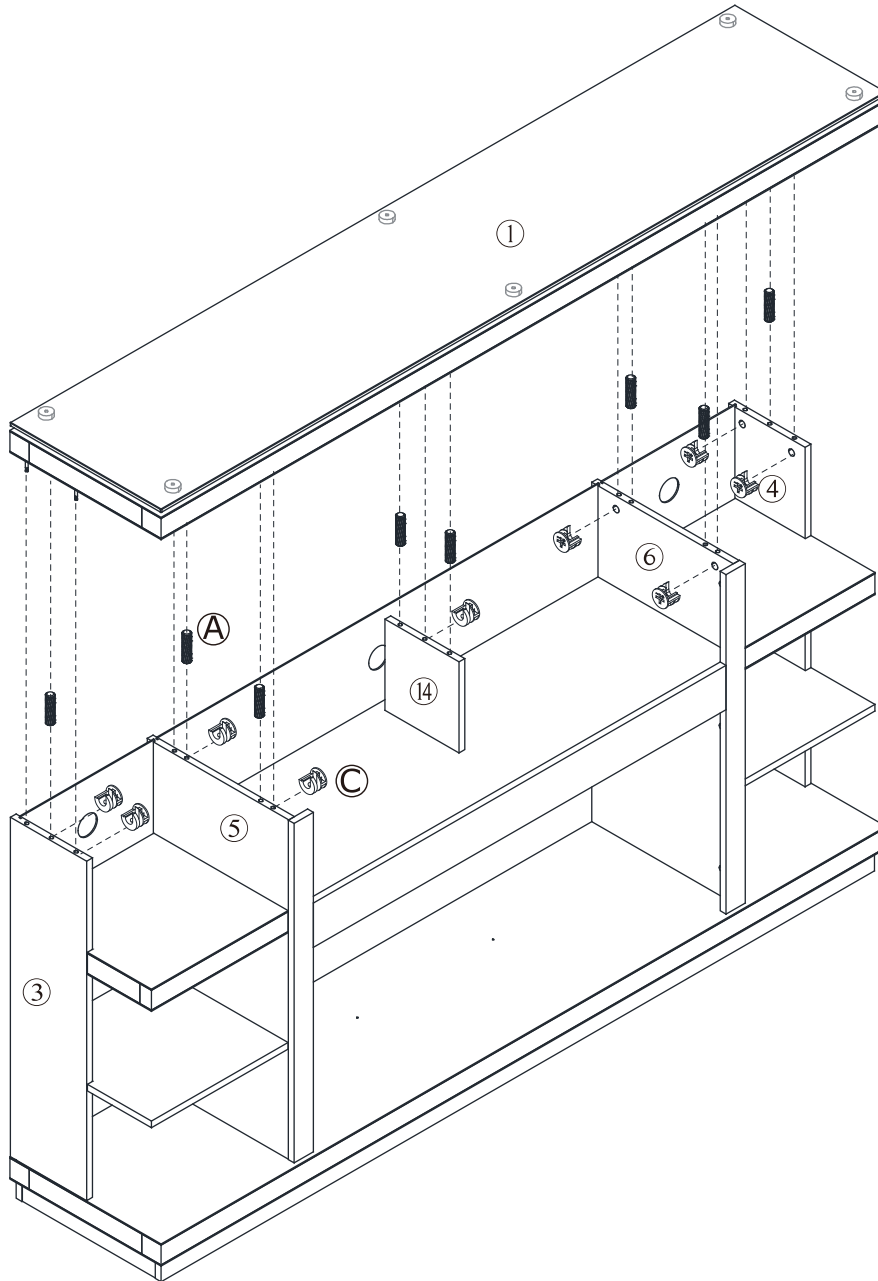
STEP 13 / ÉTAPE 13



A x 8



C x 9



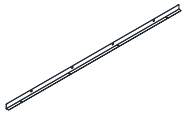
TOOLS REQUIRED
(NOT INCLUDED)
OUTILS REQUIS
(NON COMPRIS)



ASSEMBLY INSTRUCTIONS NOTICE D'ASSEMBLAGE

ITEM: HF230023A/AXEWNF1

STEP 14 / ÉTAPE 14



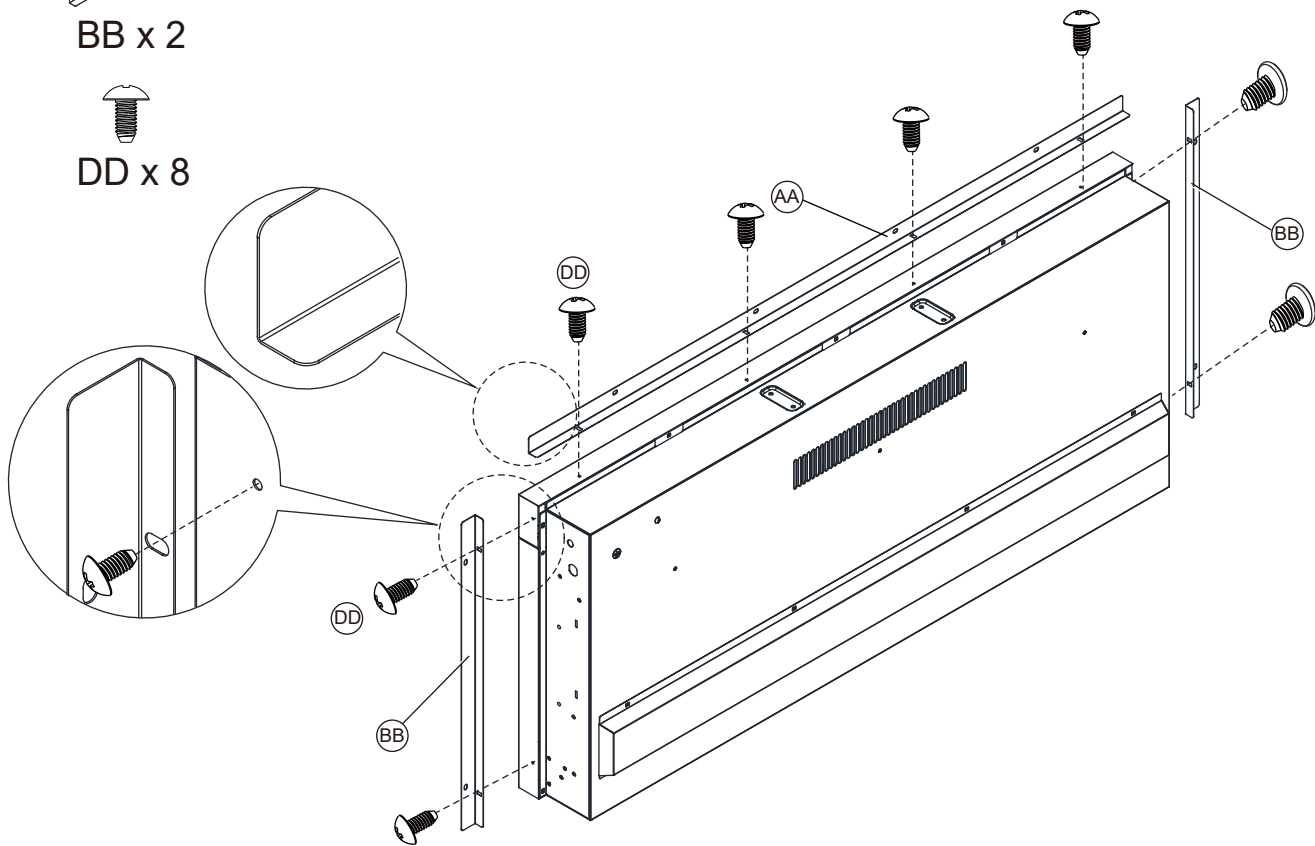
AA x 1



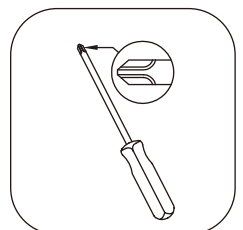
BB x 2



DD x 8



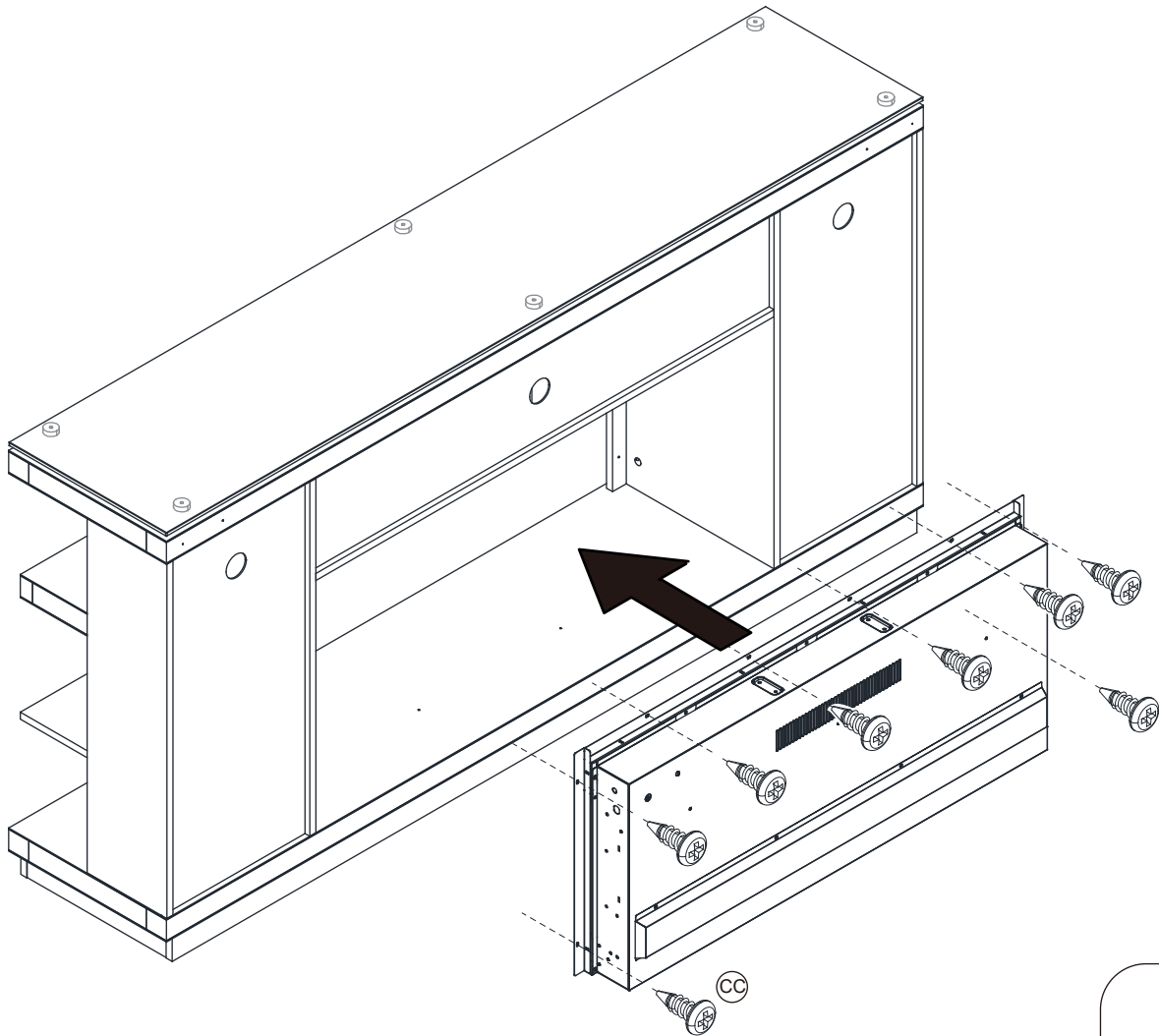
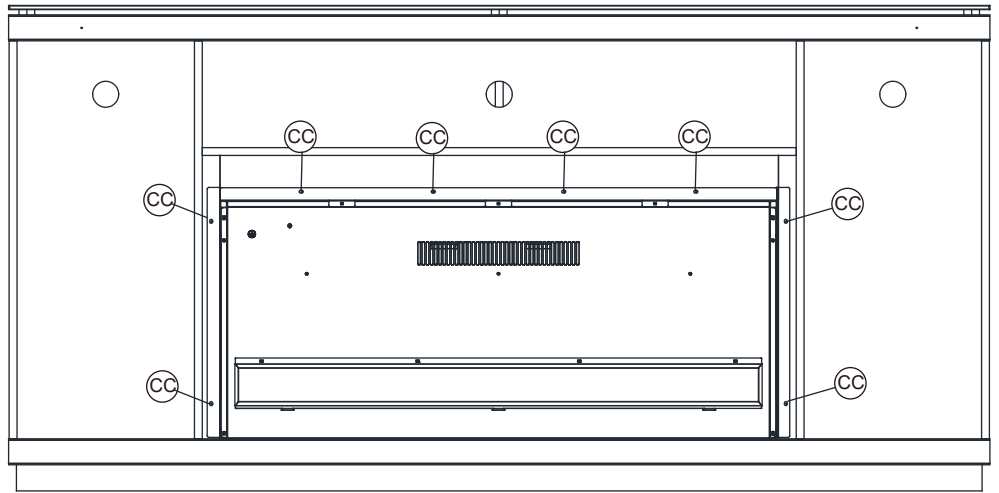
TOOLS REQUIRED
(NOT INCLUDED)
OUTILS REQUIS
(NON COMPRIS)



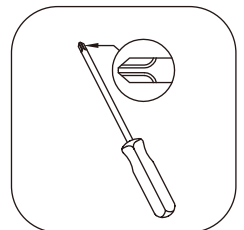
ASSEMBLY INSTRUCTIONS NOTICE D'ASSEMBLAGE

ITEM: HF230023A/AXEWNF1

STEP 15 / ÉTAPE 15



TOOLS REQUIRED
(NOT INCLUDED)
OUTILS REQUIS
(NON COMPRIS)



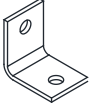
ASSEMBLY INSTRUCTIONS NOTICE D'ASSEMBLAGE

ITEM: HF230023A/AXEWNF1

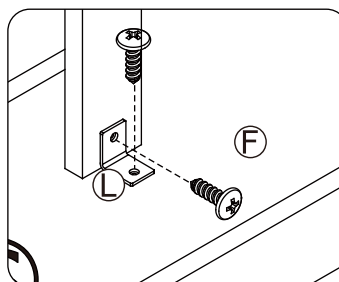
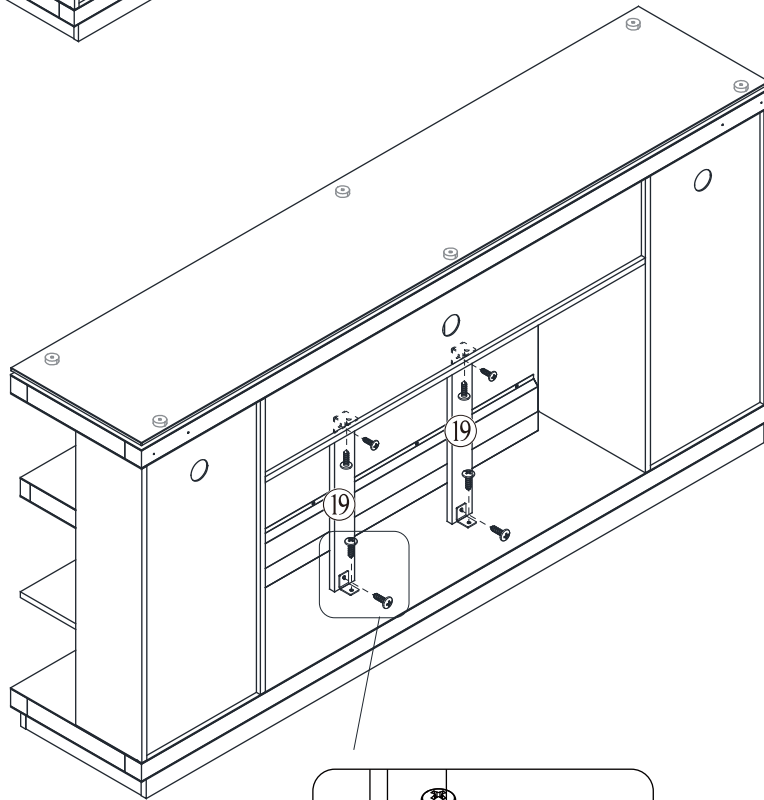
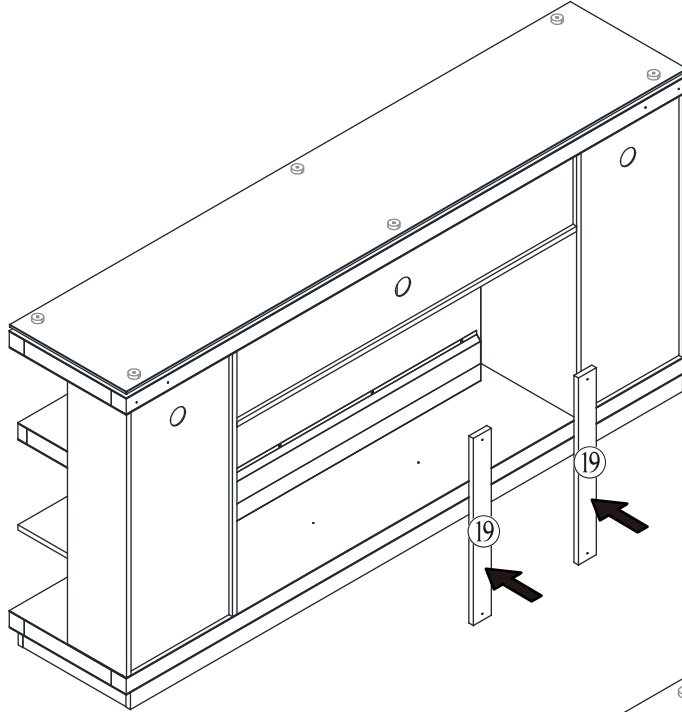
STEP 16 / ÉTAPE 16



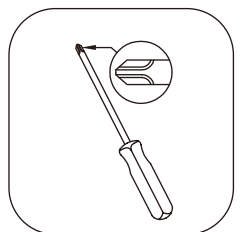
F x 8



L x 4



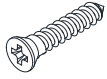
TOOLS REQUIRED
(NOT INCLUDED)
OUTILS REQUIS
(NON COMPRIS)



ASSEMBLY INSTRUCTIONS NOTICE D'ASSEMBLAGE

ITEM: HF230023A/AXEWNF1

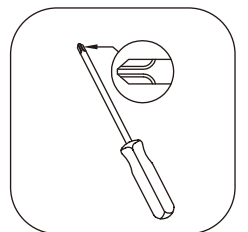
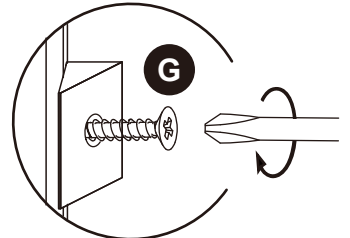
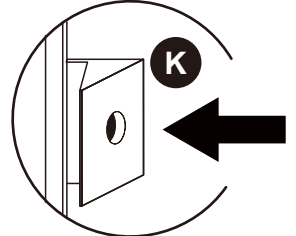
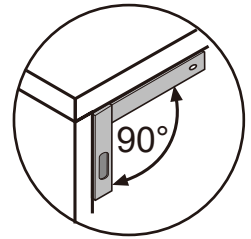
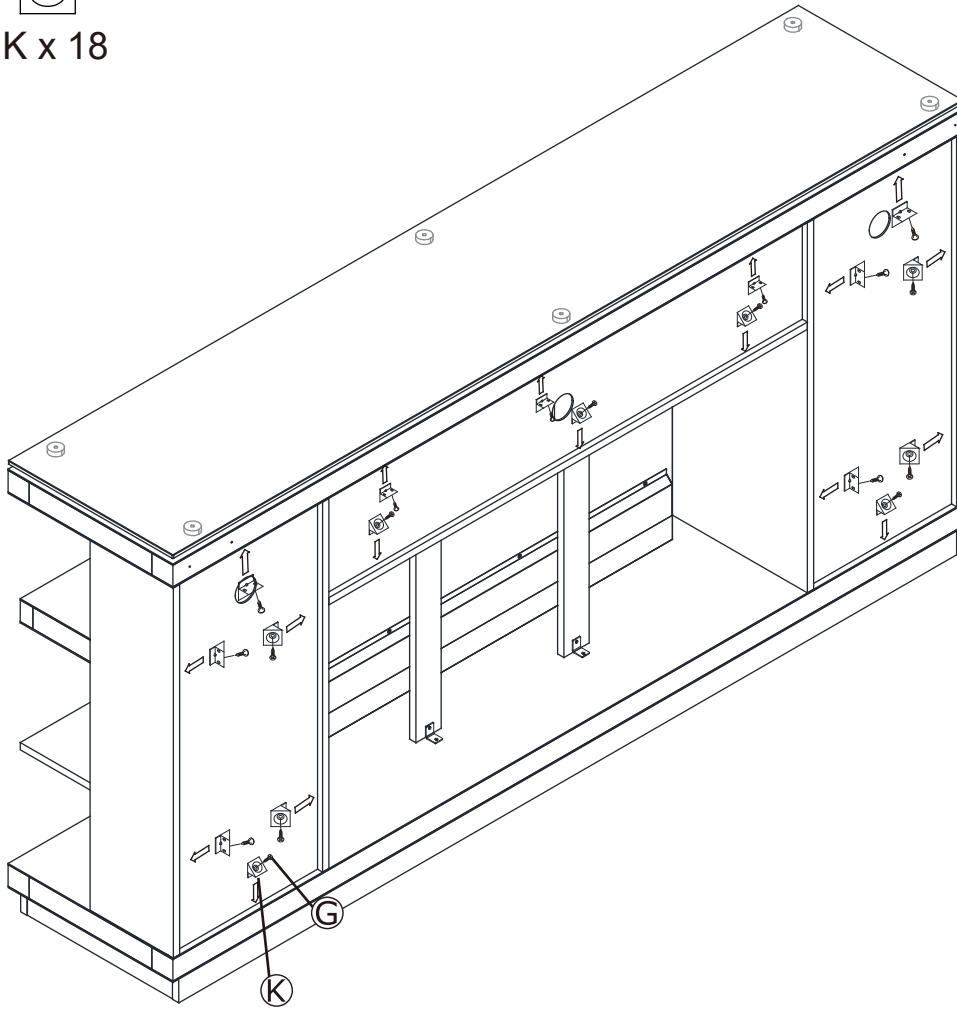
STEP 17 / ÉTAPE 17



G x 18



K x 18




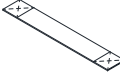



TOOLS REQUIRED
(NOT INCLUDED)
OUTILS REQUIS
(NON COMPRIS)

ANTI-TIPPING STRIP INSTRUCTION

INSTRUCTIONS POUR SANGLE ANTI-BASCULEMENT

HARDWARE INCLUDED MATÉRIEL INCLUS

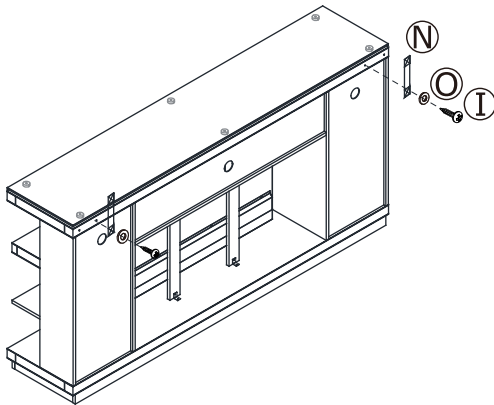
	SCREW VIS	Φ4×35mm	2 pcs/pces
	SCREW VIS	Φ4×20mm	2 pcs/pces
	WALL ANCHOR ANCRE AU MUR	Φ6×30mm	2 pcs/pces
	ANTI-TIP STRIP DISPOSITIF ANTI BASCULEMENT	200×32×1.5mm	2 pcs/pces
	FLAT WASHER RONDELLE PLATE	Φ12×Φ6.2×1mm	4 pcs/pces

TOOLS REQUIRED (NOT INCLUDED) OUTILS REQUIS (NON COMPRIS)

	DRILL & DRILL BIT PERCEUSE ET TRÉPAN
	LIGHT HAMMER MARTEAU LÉGER

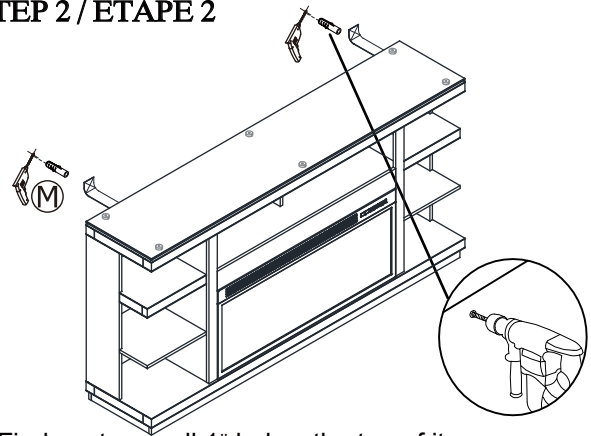
Note : Hardware included only compatible with standard drywalls.
Notez: Que la quincaillerie incluse est compatible avec les ancrages de mur standard.

STEP 1 / ÉTAPE 1



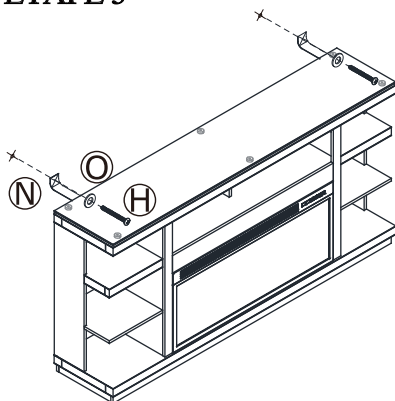
Attach the Anti-tip Strip (N) by inserting the Screw (I) through the Flat Washer (O) to the back top rail of the mantel.
Fixez la Dispositif Anti basculement (N) en insérant la Vis (I) à travers la Rondelle plate (O) sur le rail arrière du meuble.

STEP 2 / ÉTAPE 2



1. Find spot on wall 1" below the top of item.
Placer sur le mur à 1 pouce au-dessus de l'article.
2. Using a drill bit slightly smaller than the gauge of Wall Anchor (M), drill a hole then place the Wall Anchor (M) into wall. A l'aide d'un trépan légèrement plus petit qu'un Ancre au mur insérée (M) en acier de jauge, percer un trou puis placer l'Ancre au mur insérée (M).

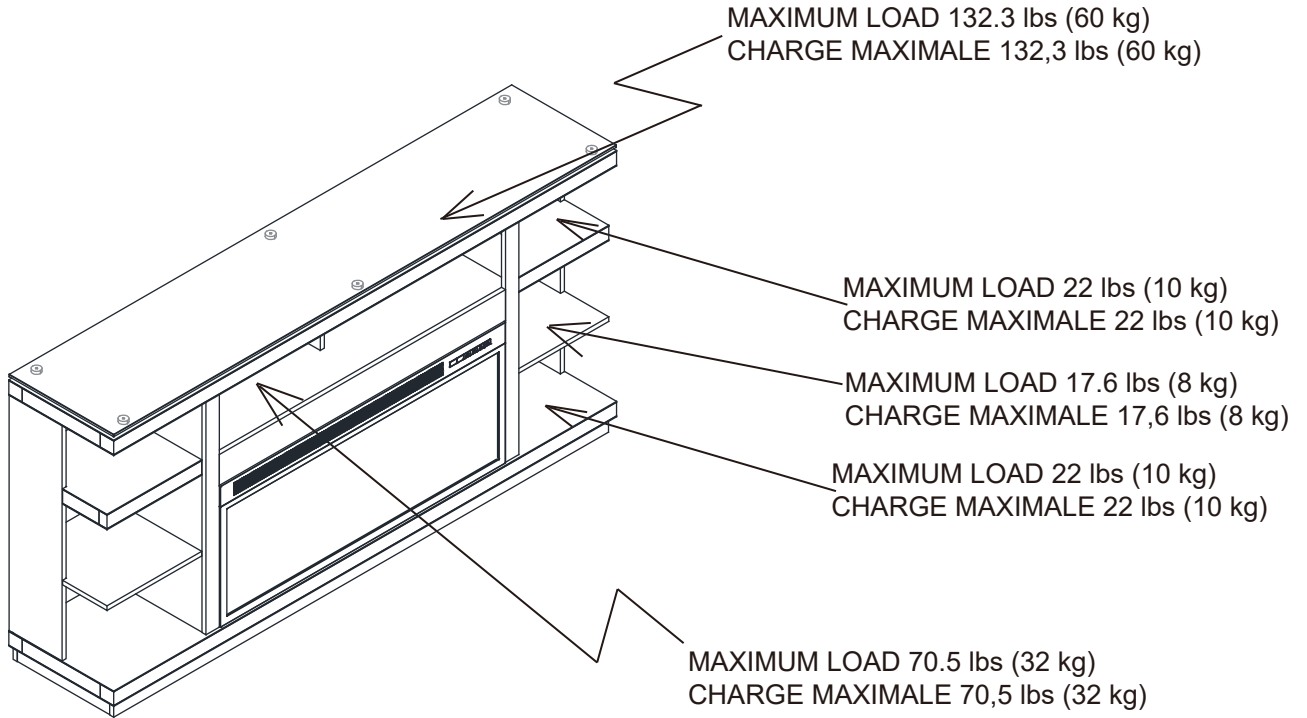
STEP 3 / ÉTAPE 3



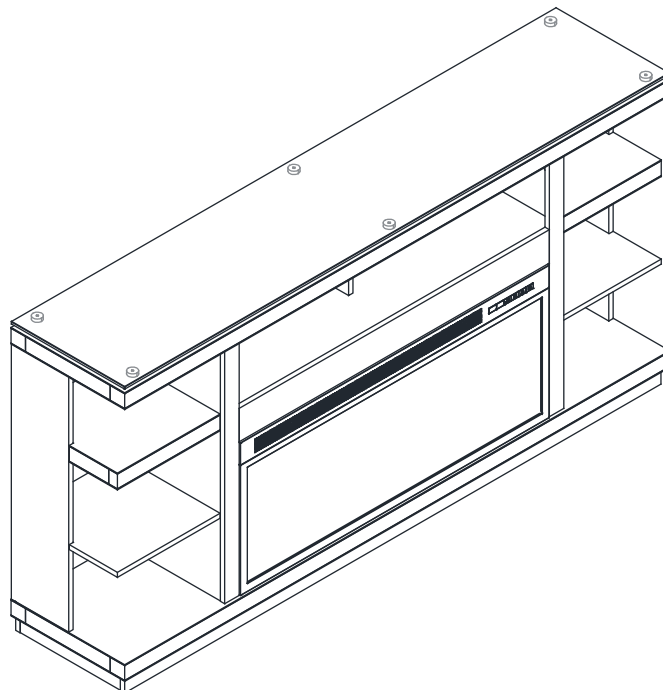
Attach the other end of Anti-tip Strip (N) by insert the Screw (H) through the Flat Washer (O) to the inserted Wall Anchor (M).
Fixez l'autre extrémité de la Dispositif Anti basculement (N) en insérant la Vis (H) à travers la Rondelle plate (O) sur l'Ancre au mur insérée (M).

ASSEMBLY INSTRUCTIONS NOTICE D'ASSEMBLAGE

ITEM: HF230023A/AXEWNF1



COMPLETE / ASSEMBLAGE TERMINÉ



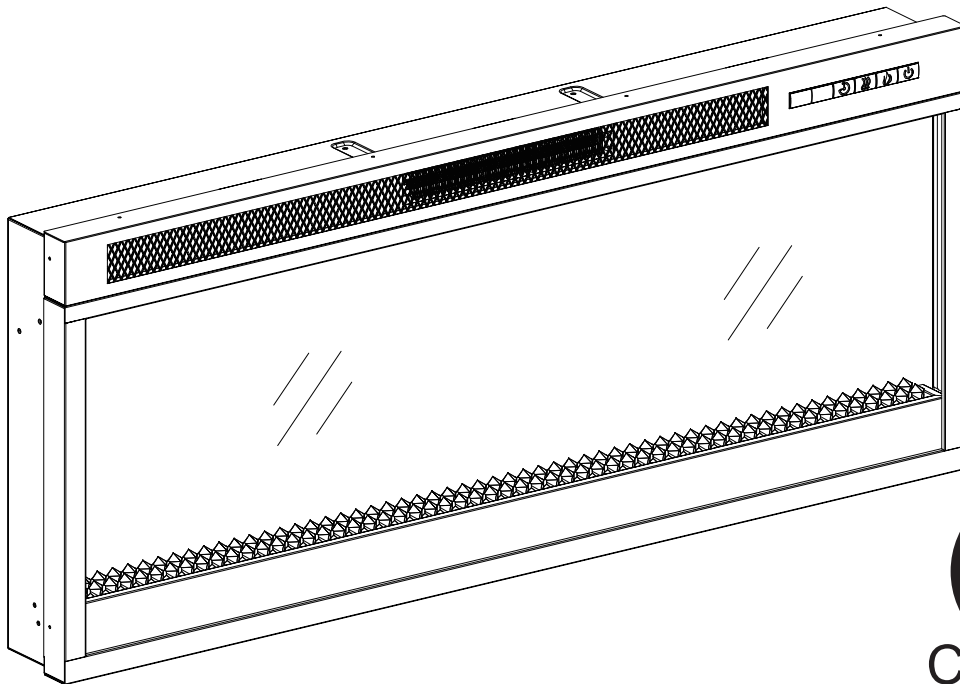


HOMEOWNERS MANUAL / MANUEL DES PROPRIÉTAIRES

ITEM: HF230023B/AXEWHFI2 MODEL: APOLLO 42



ELECTRIC FIREPLACE INSERT / CHEMINÉE ÉLECTRIQUE FOYER ENCASTRABLE



 **INSTALLER / CONSUMER SAFETY INFORMATION**
CONSIGNES DE SÉCURITÉ POUR L'INSTALLATEUR / L'UTILISATEUR

 **PLEASE READ THIS MANUAL BEFORE INSTALLING AND USING APPLIANCE**
LISEZ CE MANUEL AVANT D'INSTALLER ET D'UTILISER CET APPAREIL

SAVE THESE INSTRUCTIONS/CONSERVEZ CES INSTRUCTIONS

WARNING

IF THE INFORMATION IN THIS MANUAL IS NOT FOLLOWED EXACTLY, AN ELECTRICAL SHOCK OR FIRE MAY RESULT CAUSING PROPERTY DAMAGE, PERSONAL INJURY OR LOSS OF LIFE.

AVERTISSEMENT

SI LES INSTRUCTIONS DONNÉES DANS CET AVIS NE SONT PAS SUIVIES AVEC EXACTITUDE, UNE DÉCHARGE ÉLECTRIQUE OU UN INCENDIE PEUVENT SE PRODUIRE CAUSANT DES DOMMAGES MATÉRIELS, DES BLESSURES OU LA MORT.

FOR YOUR SAFETY

(Service must be performed by a qualified service agency.)
DO NOT STORE OR USE GASOLINE OR OTHER FLAMMABLE VAPORS OR LIQUIDS IN THE VICINITY OF THIS OR ANY OTHER APPLIANCE.

POUR VOTRE SÉCURITÉ

(Les réparations ne doivent être effectuées que par un technicien agréé.)
NE RANGEZ PAS ET N'UTILISEZ PAS D'ESSENCE OU D'AUTRES GAZ ET LIQUIDES INFLAMMABLES À PROXIMITÉ DE CET APPAREIL OU DE TOUT AUTRE APPAREIL ÉLECTROMÉNAGER.

2308R1

General

1. Read all instructions before using this appliance.
2. This heater is hot when in use. To avoid burns, do not let bare skin touch hot surfaces. Keep combustible materials, such as furniture, pillows, bedding, papers, clothes and curtains at least 3 feet (0.9m) from the front of this heater and keep them away from the sides and rear.
3. **CAUTION:** Extreme caution is necessary when any heater is used by or near children or invalids and whenever the heater is left operating unattended.
4. Always unplug this appliance when not in use.
5. Do not operate any heater with a damaged cord or plug or after the appliance malfunctions, has been dropped or damaged in any manner. Return heater to authorized service facility for examination, electrical or mechanical adjustment, or repair.
6. Any repairs to this appliance should be carried out by a licensed service person.
7. Under no circumstances should this appliance be modified.
8. Do not use outdoors.
9. This heater is not intended for use in bathrooms, laundry areas and similar indoor locations. Never locate heater where it may fall into a bathtub or other water container.
10. Do not run cord under carpeting. Do not cover cord with throw rugs, runners or similar covering. Arrange cord away from traffic areas and where it will not be tripped over.
11. To disconnect this appliance, turn controls to the off position, then remove plug from outlet.
12. Connect to properly grounded outlets only.
13. This appliance, when installed must be electrically grounded in accordance with local codes, with the current CSA C22.1 Canadian Electrical codes or for USA installations, follow local codes and the National Electric Code, ANSI/NFPA No. 70.
14. Do not insert or allow foreign objects to enter any ventilation or exhaust opening as this may cause an electric shock, fire or damage the heater.
15. To prevent possible fire, do not block air intakes or exhaust in any manner. Do not use on soft surfaces, like a bed, where openings may become blocked.
16. This heater has hot and arcing or sparking parts inside. Do not use it in areas where gasoline, paint or flammable liquids are used or stored. This appliance should not be used as a drying rack for clothing, nor should Christmas stockings or decorations be hung on or near it.
17. Use this appliance only as described in this manual. Any other use not recommended by the manufacturer may cause fire, electric shock or injury to persons.
18. Always plug heaters directly into a wall outlet/receptacle. Never use with an extension cord or relocatable power tap (outlet/power strip).
19. The heater has a safety device that makes it stop working once the inner temperature reaches 130° (± 2°C). To reset the appliance, turn heater off and disconnect power, let it cool off for 10 minutes and plug back in.
- 20. SAVE THESE INSTRUCTIONS.**

LOCATING YOUR FIREPLACE

Your new electric fireplace may be installed on the floor only in your home. This fireplace is an insert fireplace and can't be used as a movable fireplace. However, when choosing a location for your electric fireplace, ensure that the general instructions are followed. Also, for best effect, install the electric fireplace away from direct sunlight and dust.

SERVICE INSTRUCTIONS

USER INSTRUCTIONS

1. Any repairs to this appliance should be carried out by a qualified service person.
2. Under no circumstances should this appliance be modified. Parts having to be removed for servicing must be replaced prior to operating this appliance again.
3. This firebox is to be cleaned with a damp cloth (water) only. Do not use any abrasive cleaners on the unit.
4. Please unplug this firebox when not in use.
5. If using firebox in existing fireplace, please clean/vacuum thoroughly before inserting the firebox. Vacuum firebox vents periodically to avoid dust buildup for long lasting use.

TEMPERED GLASS INFORMATION

1. Under no circumstances should this product be operated with broken glass.
2. Do not strike or slam the glass.
3. Do not use abrasive cleansers to clean the glass.
4. This product uses tempered glass. Replacement of the glass supplied by the manufacturer should be done by a qualified service person.

FIREBOX SPECIFICATIONS

Fireplace Insert Dimensions(W x D x H)	42 x 5 3/8 x 18 inch 106.6 x 13.7 x 45.7 cm
Net Weight / Gross Weight	16.1 kg / 19.2 kg
Voltage	120V~
Frequency	60Hz
Watts	1400 Watts

ELECTRICAL CONNECTION

Preferably, the fireplace will be on a dedicated circuit as other appliances on the same circuit may cause the circuit breaker to trip or the fuse to blow when the heater is in operation. The unit comes standard with 6ft. (1800mm) three prong cord, exiting from the rear of the fireplace. Plan the installation to avoid the use of an extension cord. Always plug heaters directly into a wall outlet/receptacle. Never use with an extension cord or relocatable power tap(outlet/power strip).

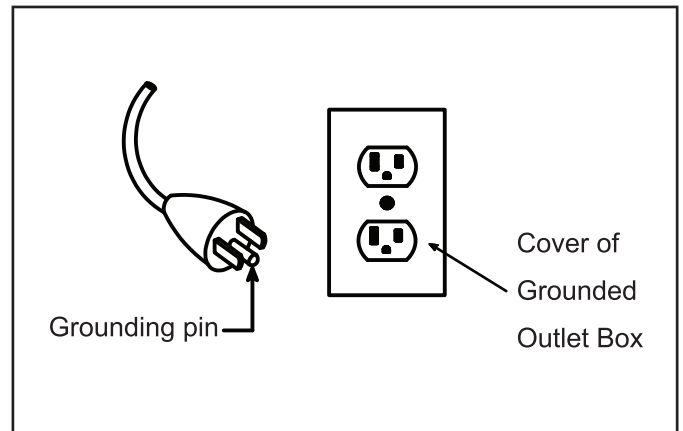
WARNING



- ▲ Do not use this fireplace insert if any part of it has been under water. Immediately call a qualified service technical to inspect the firebox and replace any part of the electrical system which has been under water.
- ▲ During any service of this appliance, the power to the unit must be turned off. First turn the main power switch to the "OFF" position. Then remove the electrical plug from the wall outlet.

GROUNDING INSTRUCTIONS

This heater is for use on 120 volts. The cord has a plug as shown as below.



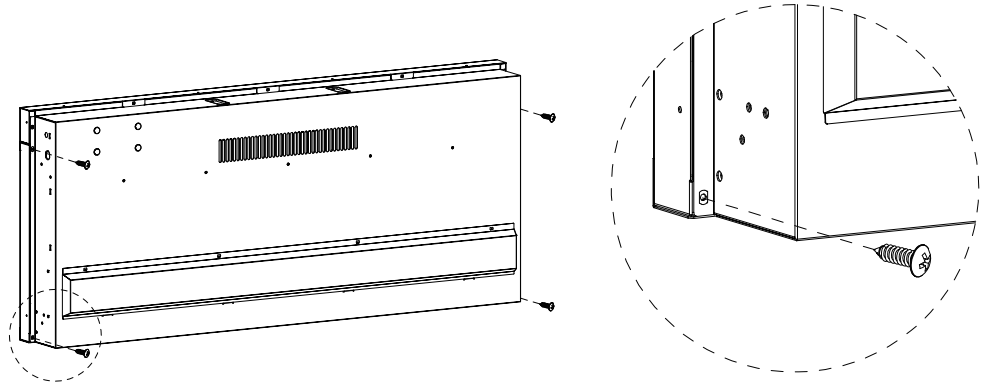
Grounding method

ASSEMBLY INSTRUCTIONS

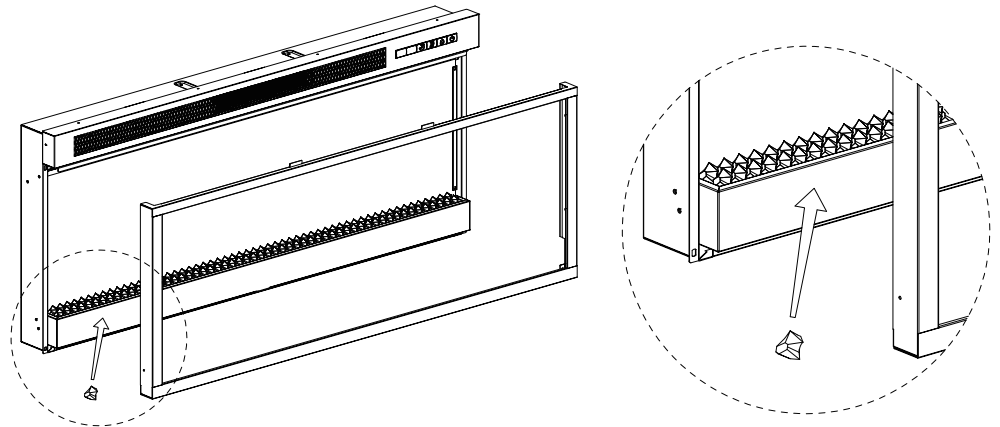
INSTALLATION-CRYSTAL EMBER BED

Before installing the fireplace into the mantel or stand

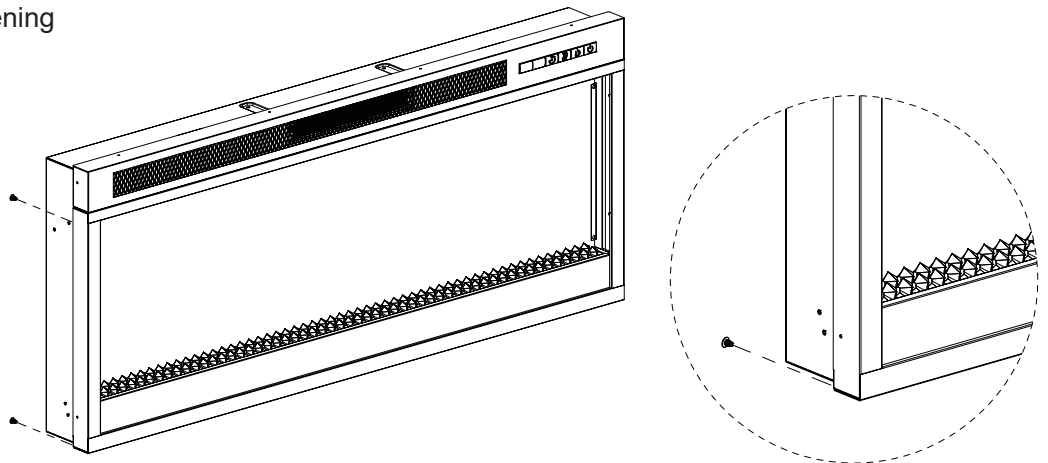
1. Use a phillips head screwdriver (not provided) to unscrew 4 screws (2 screws each side) located at the back side of the fireplace to remove the glass front from the unit.



2. Carefully lift the glass front to take it out from the fireplace, and put it on a clean and soft surface to avoid any scratches. Arrange the ember bed (acrylic crystals) along the insert window ledge at the front of the fireplace.



3. Secure the glass front by fastening back 4 screws from the back of fireplace.



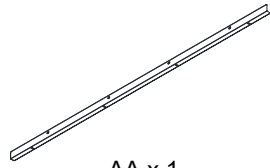
ASSEMBLY INSTRUCTIONS

REQUIRED TOOLS

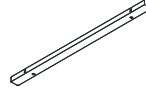


Phillips
Screwdriver
(not included)

HARDWARE



AA x 1



BB x 2

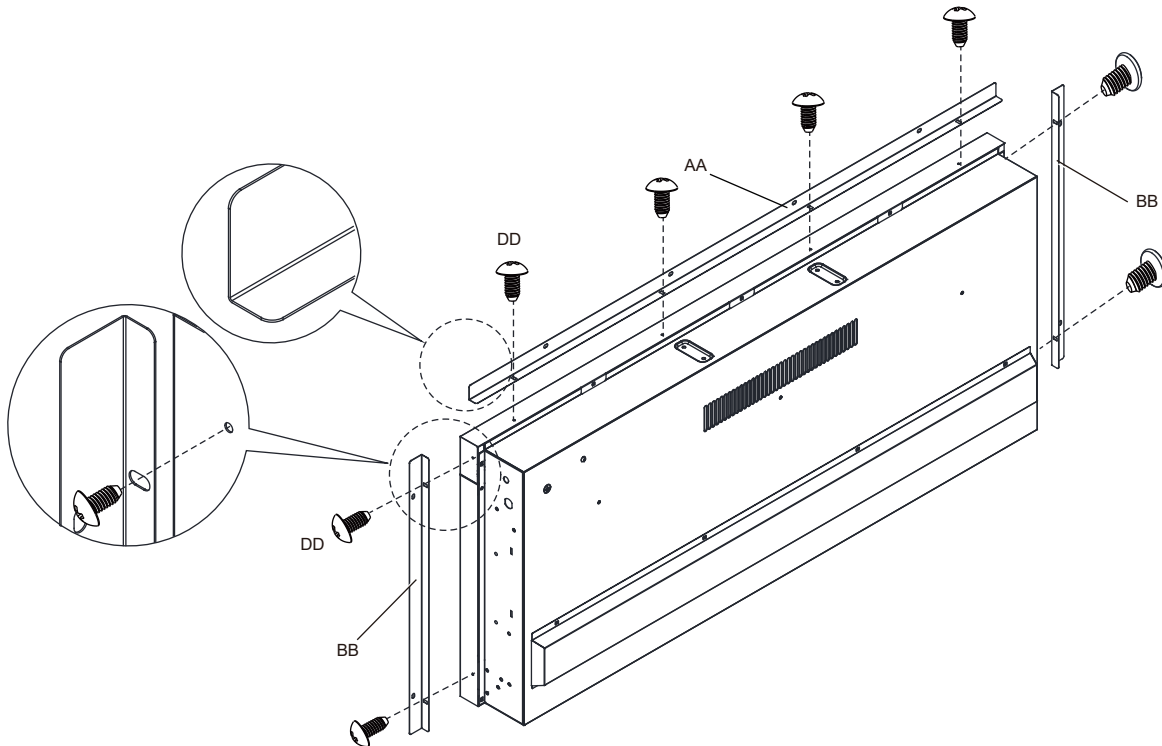


φ4 X 10mm
CC x 8+2 extra

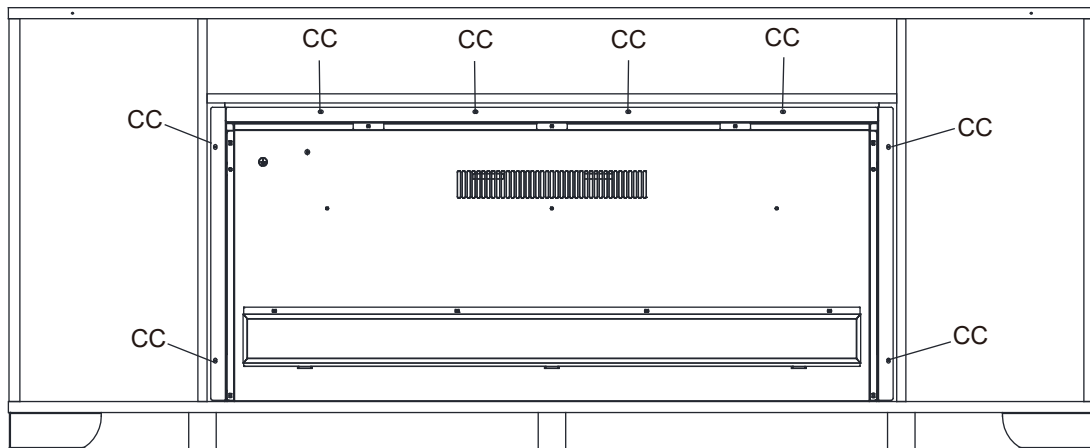


φ4 X 6mm
DD x 8+2 extra

1. ATTACHING THE METAL TRIMS



2. INSTALLING THE FIREPLACE INSERT



OPERATING INSTRUCTIONS

Read all instructions and warnings prior to operating the appliance. Ensure that all controls are in the “OFF” position before plugging the appliance in to a properly grounded electrical outlet.

The Fireplace control functions can be accessed in two ways:

- Using the touchpad control panel, located on the upper right-hand of the fireplace (see Figure 1)
- Using the multi-function remote control (see Figure 2), functions same as control panel, except for the function of switching temperature units.

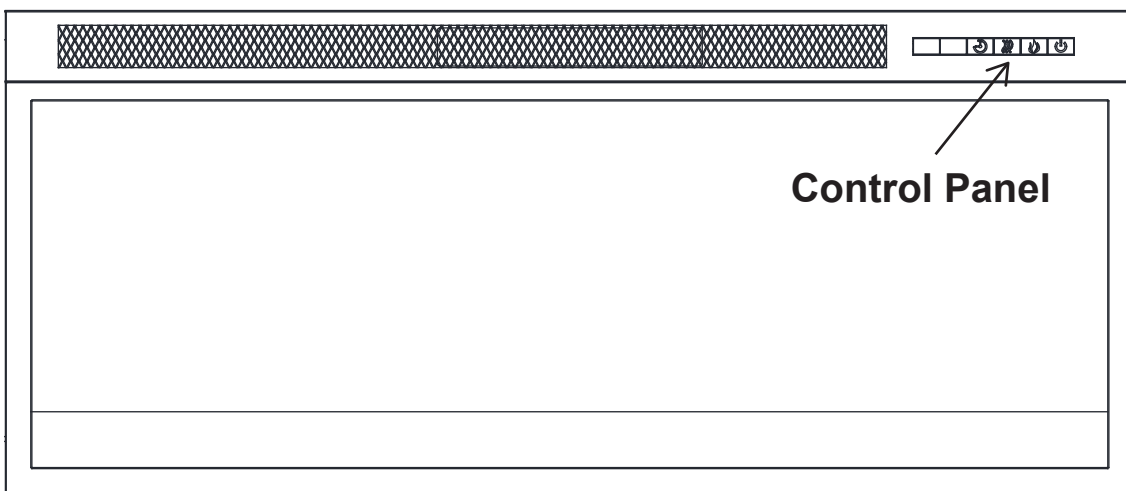


Figure 1

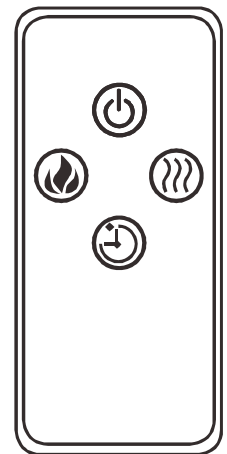
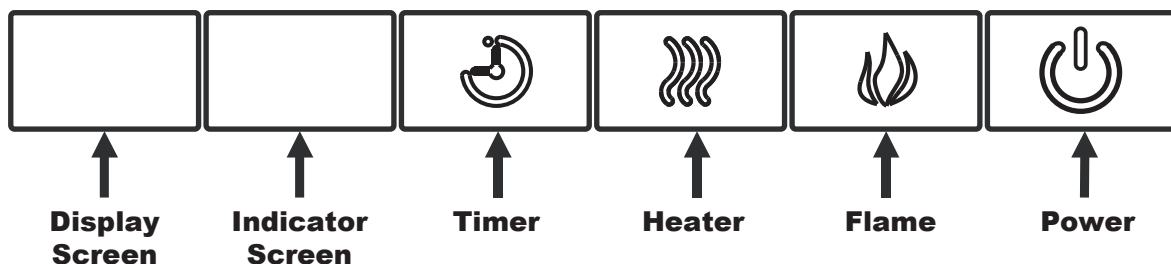


Figure 2





Using the Control Panel



When a function is changed from the control panel or remote there will be a corresponding indicator displayed. The indicator colors corresponding to different functions are as follows:

- Red -- Flame function
- Blue -- Heater function
- Green -- Timer function

OPERATING INSTRUCTIONS

FUNCTION	ICON	DESCRIPTION																																												
POWER		Press the POWER button to turn on the unit; press again to turn off the unit.																																												
FLAME		Press the FLAME button to set the brightness of flame effect. Change the flame brightness by pressing flame button repeatedly. The brightness level of flame is as follows: max-high-medium-low-min. And the display shows 5-4-3-2-1 accordingly.																																												
HEATER		<ul style="list-style-type: none"> Press the HEATER button repeatedly will cycle through the following heat settings: <table border="1" data-bbox="643 837 1430 1514" style="margin-left: auto; margin-right: auto;"> <thead> <tr> <th rowspan="2" style="text-align: left;">Temperature setting</th> <th colspan="2" style="text-align: center;">Display screen</th> </tr> <tr> <th style="text-align: center;">°F</th> <th style="text-align: center;">°C</th> </tr> </thead> <tbody> <tr> <td>Turn on the heater</td> <td style="text-align: center;">ON</td> <td style="text-align: center;">ON</td> </tr> <tr> <td>1st level</td> <td style="text-align: center;">62</td> <td style="text-align: center;">17</td> </tr> <tr> <td>2nd level</td> <td style="text-align: center;">64</td> <td style="text-align: center;">18</td> </tr> <tr> <td>3rd level</td> <td style="text-align: center;">66</td> <td style="text-align: center;">19</td> </tr> <tr> <td>4th level</td> <td style="text-align: center;">68</td> <td style="text-align: center;">20</td> </tr> <tr> <td>5th level</td> <td style="text-align: center;">70</td> <td style="text-align: center;">21</td> </tr> <tr> <td>6th level</td> <td style="text-align: center;">72</td> <td style="text-align: center;">22</td> </tr> <tr> <td>7th level</td> <td style="text-align: center;">74</td> <td style="text-align: center;">23</td> </tr> <tr> <td>8th level</td> <td style="text-align: center;">76</td> <td style="text-align: center;">24</td> </tr> <tr> <td>9th level</td> <td style="text-align: center;">78</td> <td style="text-align: center;">25</td> </tr> <tr> <td>10th level</td> <td style="text-align: center;">80</td> <td style="text-align: center;">26</td> </tr> <tr> <td>11th level</td> <td style="text-align: center;">82</td> <td style="text-align: center;">27</td> </tr> <tr> <td>Turn off the heater</td> <td style="text-align: center;">NONE</td> <td style="text-align: center;">NONE</td> </tr> </tbody> </table> <ul style="list-style-type: none"> Note: When the heating function is turned off, the LED indicator flashes five times in blue color. To change between °F and °C press and hold the HEATER button on the control panel for 5 seconds. 	Temperature setting	Display screen		°F	°C	Turn on the heater	ON	ON	1 st level	62	17	2 nd level	64	18	3 rd level	66	19	4 th level	68	20	5 th level	70	21	6 th level	72	22	7 th level	74	23	8 th level	76	24	9 th level	78	25	10 th level	80	26	11 th level	82	27	Turn off the heater	NONE	NONE
Temperature setting	Display screen																																													
	°F	°C																																												
Turn on the heater	ON	ON																																												
1 st level	62	17																																												
2 nd level	64	18																																												
3 rd level	66	19																																												
4 th level	68	20																																												
5 th level	70	21																																												
6 th level	72	22																																												
7 th level	74	23																																												
8 th level	76	24																																												
9 th level	78	25																																												
10 th level	80	26																																												
11 th level	82	27																																												
Turn off the heater	NONE	NONE																																												
TIMER		<p>Press the timer button repeatedly will cycle through the following timer settings:</p> <p>30 minutes, 1, 2, 3, 4, 5, 6, 7, 8, 9 hours and off. And the display shows 30-1H-2H-3H-4H-5H-6H-7H-8H-9H-0 accordingly.</p> <p>The fireplace/heater will turn off after settled interval period.</p>																																												

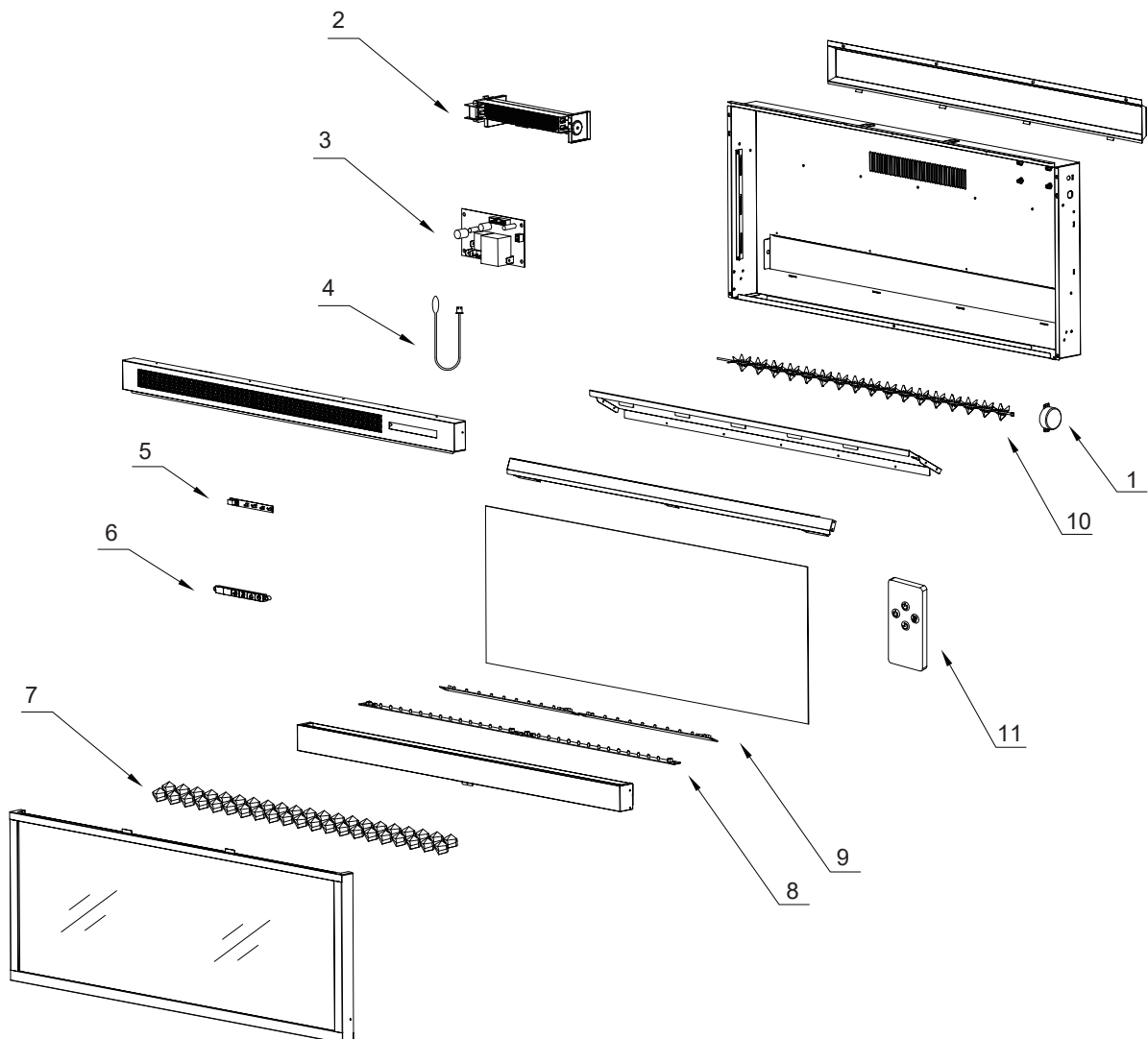
TROUBLESHOOTING GUIDE

PROBLEM	POSSIBLE CAUSE	CORRECTIVE ACTION
Display shows "E1".	The thermostat sensor is broken or disconnected.	Contact customer service for a replacement thermostat sensor.
There is no power.	There is no power to the unit.	Check that unit is plugged into a standard 120V outlet. Press the power button several times and make sure the power is set to the "ON" position.
The heater does not blow warm air.	Thermostat setting is preventing heater from turning on.	Adjust the temperature settings to ensure that the thermostat is set higher than the current room temperature.
Power cord gets warm.	Normal operation.	Check your heater cord and plug connections. Faulty wall outlet connections or loose plugs can cause the outlet or plug to overheat. Be sure the plug fits tight in the outlet. Heaters draw more current than small appliances, overheating of the outlet may occur even if it has not occurred with the use of other appliances. During use check frequently to determine if your plug outlet or faceplate is HOT! If so, discontinue use of the heater and have a qualified electrician check and/or replace the faulty outlet(s).
The remote control is not working.	There is no battery or the signal is poor.	Change the remote battery. Operate remote control at a slow measured pace. Press the remote control buttons with an even motion and gentle pressure. Repeatedly pressing buttons in rapid succession may cause the transmitter to malfunction.
The noise when the heater is on is louder than normal.	a. The air intakes are dirty or obstructed.	a. Check the air intakes for obstructions or high dust build up.
	b. The blower/heater assembly is defective.	b. Contact Customer Service for a new heater/blower assembly.
Abnormal noise when the heater is not on and the flame effect is on.	The spinner motor is defective.	Contact Customer Service for a new spinner motor.

REPLACEMENT PARTS LIST AND EXPLODED VIEW

Part	Part Name
1	Flame Generator Drive Motor
2	Heater/Blower Assembly
3	Main Circuit Board
4	Thermostat Sensor
5	Control Panel Circuit Board
6	Control Panel Buttons
7	Crystal Bed
8	Emberbed Circuit Board
9	Flame Effect Circuit Board
10	Flame Generator/Spinner
11	Remote Control

Some parts and specifications may change without notice.



INSTRUCTIONS

Periodic cleaning/vacuuming of the fan/heater unit is recommended. Make sure the unit is turned OFF and unplugged whenever you are cleaning the appliance.



Check your heater cord and plug connections. A loose fitting outlet can cause the plug to overheat and/or cause a fire. Be sure plug fits tight in the outlet. Check frequently during use to make sure plug and outlet are not hot. If so, discontinue using heater and have outlet replaced by a qualified electrician.

Note: Heaters draw more current than small appliances, overheating of the outlet may occur even if it has not occurred with the other appliances.



WARNING: Electrical outlet wiring must comply with local building codes and other applicable regulations to reduce the risk of fire, electrical shock and injury to persons.



WARNING: Make sure the power is turned off before proceeding. Any electrical repairs or rewiring of this unit should be carried out by a licensed electrical in accordance with national and local codes.

If repairing or replacing any electrical component or wiring, the original wire routing, color coding and securing locations must be followed.

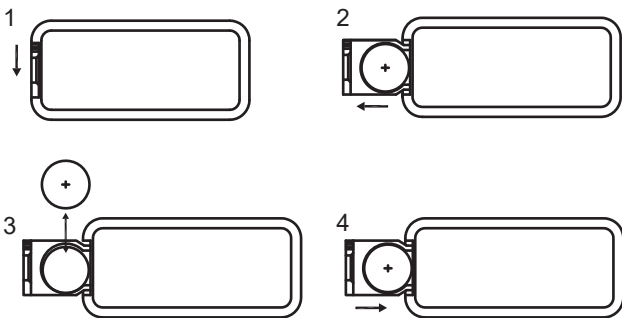


WARNING: Disconnect power before attempting any maintenance or cleaning to reduce the risk of fire, electrical shock or personal injury.

REPLACING THE REMOTE CONTROL BATTERY

When the remote control stops operating or its range seems reduced, it is time to replace the battery with new ones.

3 volt lithium coin cell type 2025.



NOTE:

Caution for Ingestion.

Do not mix alkaline, standard (carbon-zinc), or rechargeable (ni-cad, ni-mh, etc) batteries.

Battery should be removed if the product is to be left unused for a long time.

Please operate the remote control at a slow measured pace. Press the remote control buttons with an even motion and gentle pressure. Repeatedly pressing buttons in rapid succession may cause the transmitter to malfunction.

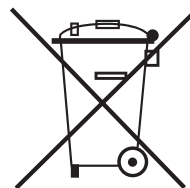
DISPOSING OF USED BATTERIES

The batteries may contain hazardous substances that could endanger the environment and human health.

Used batteries must not be processed with municipal waste. Instead they should be brought to the appropriate collection point for recycling.

By correctly disposing of used batteries, you prevent potential negative consequences for the environment and human health. Recycling used materials also preserves our natural resources.

For more information about collecting and recycling used batteries, please contact your local municipality, your waste disposal service or the store where you purchased this product.



Généralités

1. Lisez toutes les directives avant d'utiliser cet appareil.
2. La cheminée devient très chaude lorsqu'elle est en marche. Pour éviter toute brûlure, ne laissez pas la peau non couverte toucher les surfaces chaudes. Gardez les matériaux combustibles, tels que meubles, oreillers, draps, papiers, vêtements et rideaux à au moins 90 cm de la face avant de la cheminée et loin des faces latérales et arrière.
3. **MISE EN GARDE** : Une attention particulière est nécessaire lorsque la cheminée est utilisée par ou à proximité d'enfants ou de personnes handicapées ou lorsqu'elle est laissée allumée sans surveillance.
4. Débranchez cet appareil lorsqu'il n'est pas utilisé.
5. N'utilisez pas la cheminée si le cordon ou la fiche est endommagé, s'il est défectueux ou s'il est tombé ou a été endommagé d'une manière ou d'une autre. Dans un tel cas, retournez la cheminée au centre de service après-vente agréé pour réparation ou réglage électrique ou mécanique.
6. Toute réparation de cet appareil ne doit être effectuée que par une personne qualifiée.
7. Cet appareil ne doit être modifié en aucune circonstance.
8. Ne pas utiliser l'appareil à l'extérieur.
9. Cette cheminée n'est pas destinée à être utilisée dans des salles de bain ou d'autres endroits où l'eau y est présente. Ne placez jamais la cheminée dans un endroit où elle risque de tomber dans de l'eau tel qu'une baignoire, etc.
10. Ne faites pas passer le cordon électrique sous des tapis. Ne faites pas couvrir le cordon électrique de tapis, moquettes ou des objets similaires. Disposez le cordon d'alimentation dans un endroit où il ne sera pas piétiné.
11. Pour déconnecter l'appareil, mettez toutes les commandes sur off (arrêt) puis débranchez la prise du secteur.
12. Ne branchez qu'à une prise de courant avec mise à la terre.
13. Une fois installé, cet appareil doit être mis à la terre conformément aux codes locaux ou, en l'absence de tels codes, conformément à la version en vigueur du Code canadien de l'électricité, CSA C22.1., ou à la dernière édition du National Electrical Code, ANSI/NFPA 70 si le produit est installé aux États-Unis.

14. Évitez d'introduire ou de faire tomber des corps étrangers dans les fentes d'entrée et de sortie de l'air car cela pourrait provoquer des décharges électriques, causer un incendie ou endommager la cheminée.
15. Pour réduire les risques d'incendie, ne bouchez pas les orifices d'entrée et de sortie de l'air. Ne l'utilisez pas sur des surfaces molles, un lit par exemple, où les ouvertures pourraient être obstruées.
16. Cette cheminée renferme des pièces chaudes, d'amorçage d'arcs ou de déclenchement d'étincelles. Ne l'utilisez pas dans des endroits où sont manipulés ou stockés de l'essence, de la peinture ou des produits inflammables. Cet appareil ne doit pas être utilisé comme un sèche-linge. Ne vous servez pas de cet appareil pour accrocher, sur sa surface ou à proximité de celui-ci, des décorations de Noël ou tout autre type de décoration.
17. Utilisez cet appareil uniquement comme indiqué dans ce manuel. Toute autre utilisation non recommandée par le fabricant pourrait provoquer un incendie ou occasionner des commotions électriques ou des blessures.
18. Branchez toujours les cheminées directement à une prise secteur. N'utilisez jamais de rallonge électrique ou une barrette de distribution amovible.
19. Cet appareil a un dispositif de sécurité qui l'arrête automatiquement si la température interne atteint 130° (± 2°C). Pour réinitialiser l'appareil, mettez les commandes en position d'arrêt (off) et débranchez l'appareil de la prise murale. Laissez l'appareil refroidir durant 10 minutes, puis rebranchez-le et remettez-le en marche.

20. CONSERVEZ CES INSTRUCTIONS.

EMPLACEMENT DE LA CHEMINÉE

La cheminée électrique ne doit être installée que sur le sol à l'intérieur de votre domicile. Elle est encastrable et ne peut être déplacée. Avant de choisir un emplacement pour la cheminée électrique, assurez-vous que les recommandations générales aient été respectées. Aussi, pour de meilleurs résultats, placer la cheminée électrique loin des rayons directs du soleil et de la poussière.

RECOMMANDATIONS À L'UTILISATEUR

1. Toute réparation de cet appareil ne doit être effectuée que par une personne qualifiée.
2. Cet appareil ne doit être modifié en aucune circonstance. Les pièces qui nécessitent une réparation doivent être remises en place avant de réutiliser cet appareil.
3. La cheminée peut être nettoyée à l'aide d'un chiffon humidifié d'eau uniquement. N'utilisez aucun nettoyeur abrasif avec cette unité.
4. Débranchez cette cheminée lorsqu'elle n'est pas utilisée.
5. Si employant le foyer dans une cheminée existante, nettoyez complètement avant d'insérer le foyer. Nettoyez à l'aspirateur les conduits de foyer périodiquement pour éviter l'habillage de la poussière pour l'usage durable.

INFORMATIONS SUR LE VERRE TREMPÉ

1. En aucune circonstance, cet appareil ne doit être utilisé avec un verre trempé brisé.
2. Ne fermez pas violemment la fenêtre en verre trempé et ne l'exposez pas à des chocs. En aucune circonstance, cet appareil ne devrait être utilisé sans sa fenêtre en verre trempé ou si ce dernier est brisé.
3. N'utilisez aucun nettoyeur abrasif pour nettoyer le verre trempé.
4. Cet appareil utilise du verre trempé. Le verre fourni par le fabricant ne devrait être remplacé que par une personne qualifiée.

CARACTERISTIQUES DE LA CHAMBRE DE COMBUSTION

Foyer encastrable de la cheminée Dimensions (L x P x H)	106,6 x 13,7 x 45,7 po 42 x 5 3/8 x 18 inch
Poids net / Poids brut	16,1 kg / 19,2 kg
tension	120V~
Fréquence	60Hz
Watts	1400 Watts

RACCORDEMENT ÉLECTRIQUE

Il est préférable de brancher l'appareil sur un circuit à part, car d'autres équipements sur le même circuit peuvent déclencher le disjoncteur ou faire fondre le fusible lorsque la cheminée est mise sous tension. L'appareil standard est livré avec un câble à trois brins de 1,8 m qui sort de l'arrière du foyer de la cheminée électrique. Planifiez l'installation de manière à éviter l'utilisation d'une rallonge. Branchez toujours les cheminées directement à une prise secteur. N'utilisez jamais de rallonge électrique ou une barrette de distribution amovible.

AVERTISSEMENT

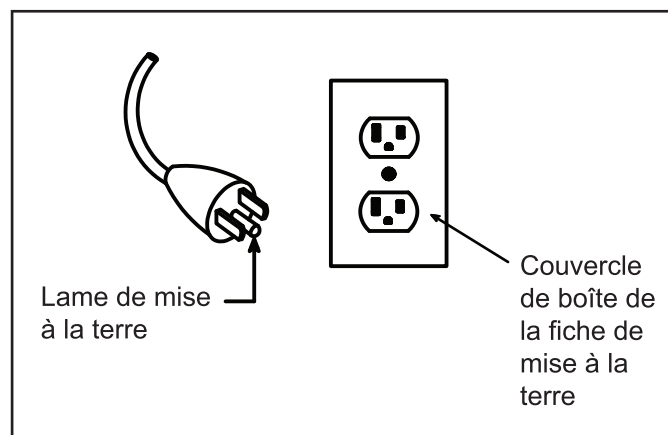


- ▲ N'utilisez pas cette cheminée si l'une de ses pièces a été mouillée. Contactez immédiatement un technicien qualifié pour inspecter la cheminée et remplacer des pièces du circuit électrique si besoin.
- ▲ Débranchez toujours l'appareil avant d'y pratiquer toute intervention. Placez d'abord le bouton d'alimentation à la position « ÉTEINDRE ». Ensuite, débranchez l'appareil de la prise électrique du secteur.

DIRECTIVES DE MISE À LA TERRE

Cette cheminée est conçue pour fonctionner sur un circuit de 120 volts.

Le cordon est muni d'une fiche comme indiqué ci-dessous.

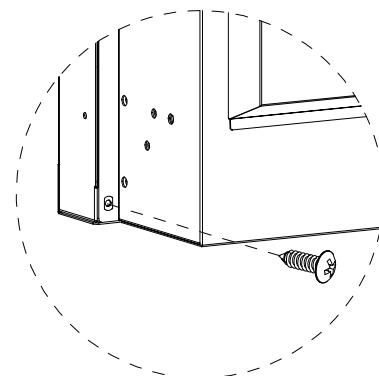
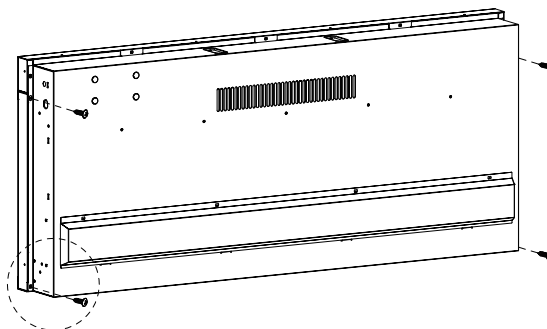


Méthode de mise à la terre

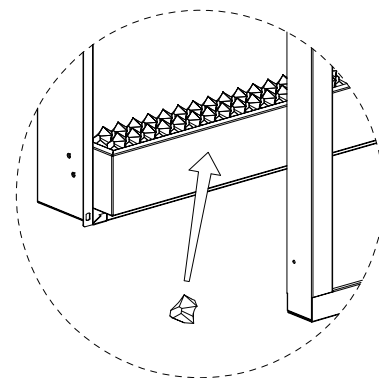
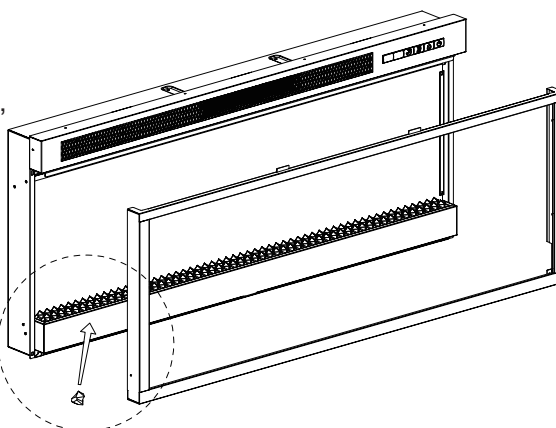
INSTALLATION DU LIT DE BRAISES EN CRISTAL

Avant d'installer le foyer dans le manteau de la cheminée ou sur le support

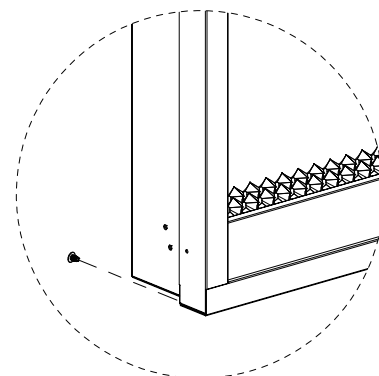
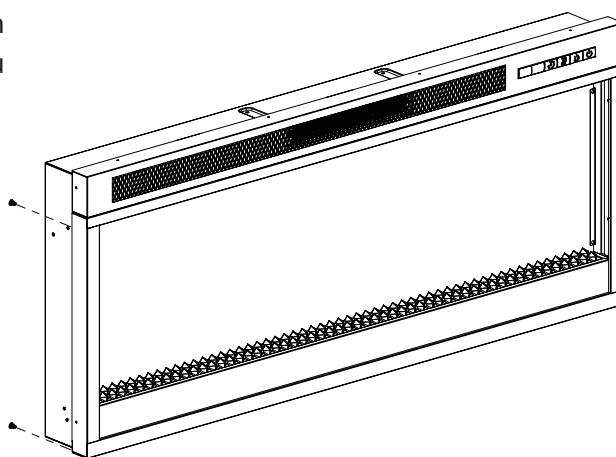
1. Utilisez des tournevis Phillips (non fournis) pour dévisser 4 vis (2 vis de chaque côté) situées du côté arrière du foyer pour enlever le verre de l'appareil.



2. Soulevez avec soin le panneau frontal en verre pour l'enlever du foyer, et placez-le sur une surface propre et douce pour éviter les éraflures. Disposez le lit de braises (en cristaux acryliques) le long de l'appui de fenêtre du foyer encastrable devant le foyer.



3. Attachez le panneau frontal en verre en serrant 4 vis de nouveau depuis l'arrière du foyer.



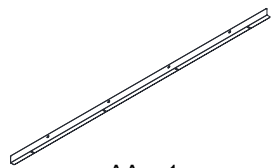
INSTRUCTIONS DE MONTAGE

OUTILS REQUIS

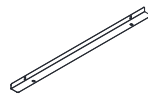


Tournevis
Cruciform
(non compris)

QUINCAILLERIE



AA x 1



BB x 2

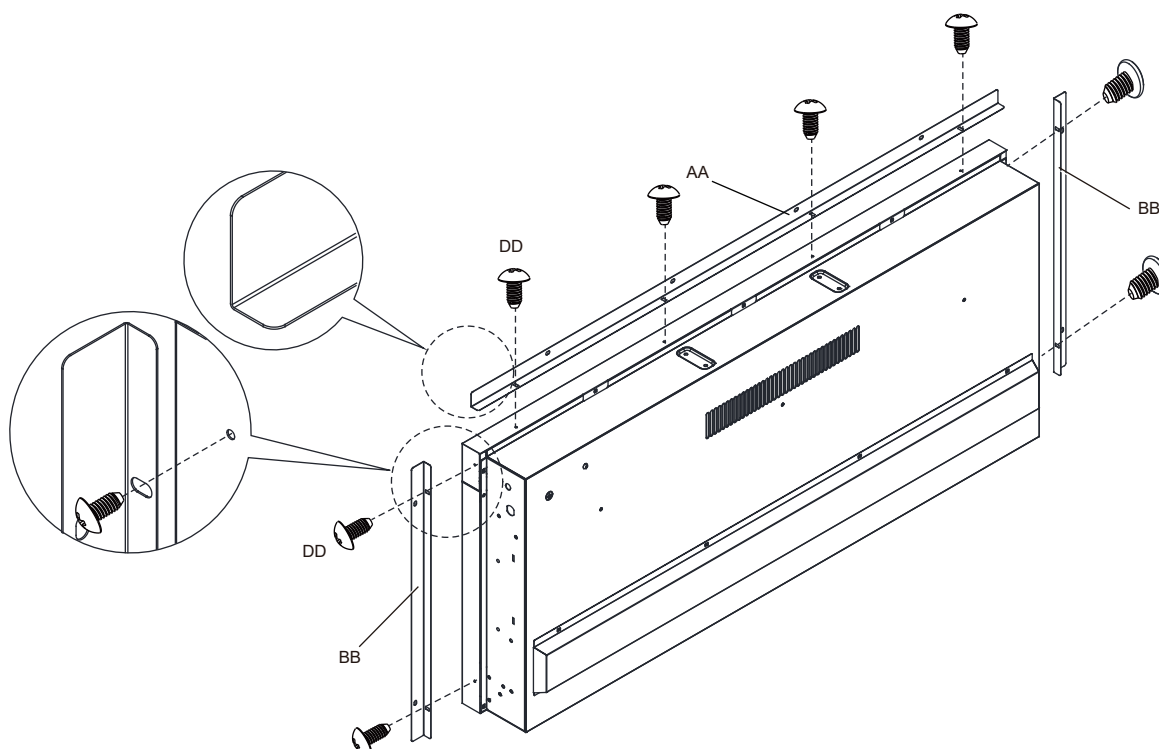


φ4 X 10mm
CC x 8+2 extra

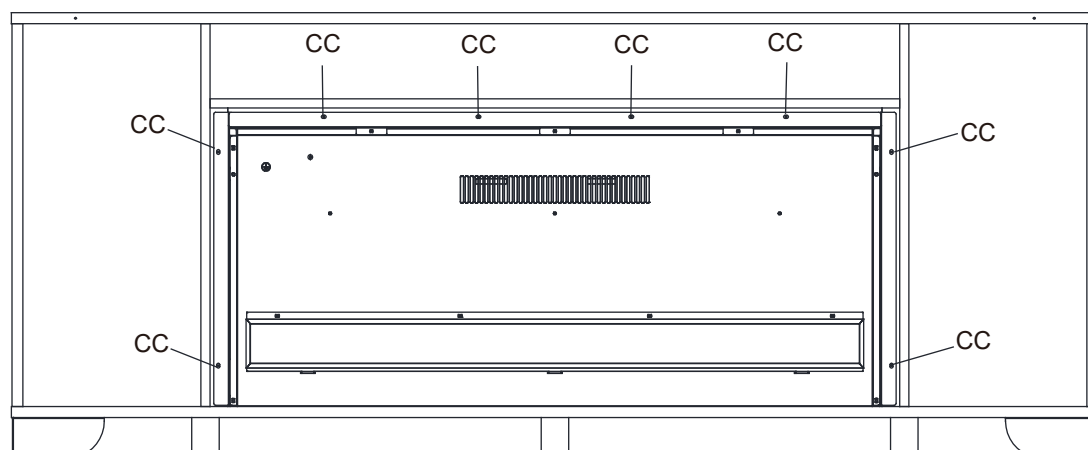


φ4 X 6mm
DD x 8+2 extra

1. ASSEMBLAGE LES MOULURES DE MÉTAL



2. INSTALLATION DU FOYER ENCASTRÉ



INSTRUCTIONS D'OPÉRATION

Lisez toutes les consignes et avertissements avant de faire fonctionner l'appareil.

Assurez-vous que toutes les commandes sont en position **"ARRÊT"** ("**OFF**") avant de brancher l'appareil dans une prise de courant correctement mise à la terre.

On dispose de deux moyens pour accéder aux fonctions de commande du foyer :

- En utilisant le panneau de commande à pavé tactile, situé dans la section en haut et à droite du foyer (voir Figure 1).
- En utilisant la télécommande multifonctions (voir Figure 2), disposant des mêmes fonctions que le panneau de commande, à l'exception de la fonction de commutation des unités de température.

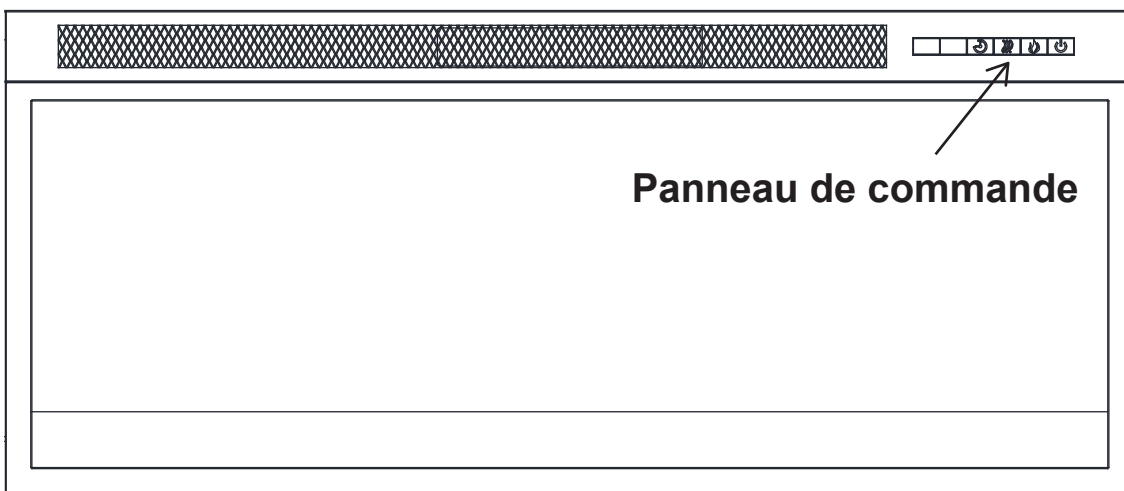


Figure 1

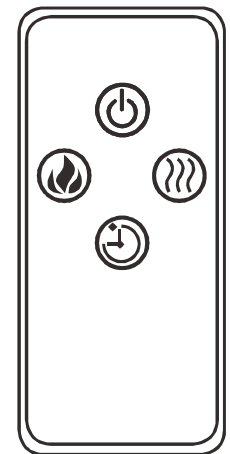
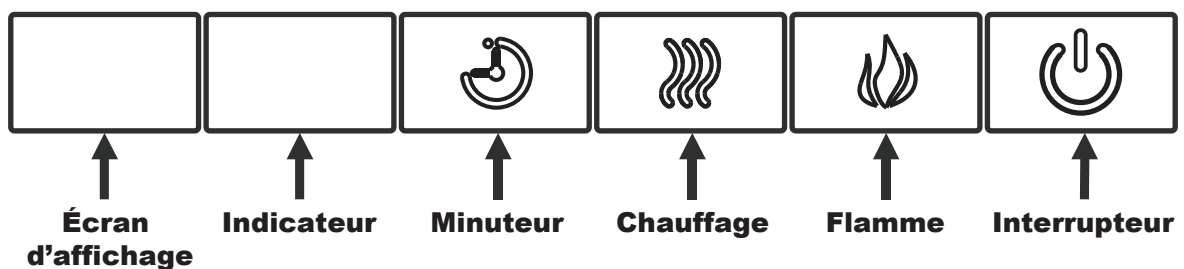


Figure 2

Utilisation du panneau de commande







Quand vous changez une fonction à partir du panneau de contrôle ou de la télécommande, son indicateur s'affichera. Chaque fonction correspond à une couleur, comme démontré si présent :

Rouge : Fonction « Flamme »

Bleu : Fonction « Chauffage »

Vert : Fonction « Minuteur »

INSTRUCTIONS D'OPÉRATION

FONCTION	ICÔNE	DESCRIPTION																																												
INTERRUPTEUR		Appuyez l'INTERRUPTEUR pour allumer l'appareil, et appuyez le bouton de nouveau pour l'éteindre.																																												
FLAMME		Appuyez sur le bouton « FIAMME » pour ajuster le niveau de luminosité des flammes. Ajustez la luminosité des flammes en appuyant à plusieurs reprises sur le bouton « FIAMME ». Le niveau de luminosité des flammes est présenté comme suit : Maximum (5), Élevé (4), Moyen (3), Bas (2), Minimum (1).																																												
CHAUFFAGE		<ul style="list-style-type: none"> Appuyez sur le bouton « CHAUFFAGE » à plusieurs reprises pour choisir un de ses paramètres : <table border="1" data-bbox="641 804 1430 1480"> <thead> <tr> <th rowspan="2">Réglage de la température</th> <th colspan="2">Écran d'affichage</th> </tr> <tr> <th>°F</th> <th>°C</th> </tr> </thead> <tbody> <tr> <td>Marche</td> <td>ON</td> <td>ON</td> </tr> <tr> <td>Niveau 1</td> <td>62</td> <td>17</td> </tr> <tr> <td>Niveau 2</td> <td>64</td> <td>18</td> </tr> <tr> <td>Niveau 3</td> <td>66</td> <td>19</td> </tr> <tr> <td>Niveau 4</td> <td>68</td> <td>20</td> </tr> <tr> <td>Niveau 5</td> <td>70</td> <td>21</td> </tr> <tr> <td>Niveau 6</td> <td>72</td> <td>22</td> </tr> <tr> <td>Niveau 7</td> <td>74</td> <td>23</td> </tr> <tr> <td>Niveau 8</td> <td>76</td> <td>24</td> </tr> <tr> <td>Niveau 9</td> <td>78</td> <td>25</td> </tr> <tr> <td>Niveau 10</td> <td>80</td> <td>26</td> </tr> <tr> <td>Niveau 11</td> <td>82</td> <td>27</td> </tr> <tr> <td>Arrêt</td> <td>AUCUN</td> <td>AUCUN</td> </tr> </tbody> </table> <ul style="list-style-type: none"> NOTE : Lorsque la fonction de chauffage est désactivée, l'indicateur LED clignote cinq fois en bleu. Pour passer de °F à °C, appuyez sur la touche CHAUFFAGE du panneau de commande et maintenez-la enfoncée pendant 5 secondes. 	Réglage de la température	Écran d'affichage		°F	°C	Marche	ON	ON	Niveau 1	62	17	Niveau 2	64	18	Niveau 3	66	19	Niveau 4	68	20	Niveau 5	70	21	Niveau 6	72	22	Niveau 7	74	23	Niveau 8	76	24	Niveau 9	78	25	Niveau 10	80	26	Niveau 11	82	27	Arrêt	AUCUN	AUCUN
Réglage de la température	Écran d'affichage																																													
	°F	°C																																												
Marche	ON	ON																																												
Niveau 1	62	17																																												
Niveau 2	64	18																																												
Niveau 3	66	19																																												
Niveau 4	68	20																																												
Niveau 5	70	21																																												
Niveau 6	72	22																																												
Niveau 7	74	23																																												
Niveau 8	76	24																																												
Niveau 9	78	25																																												
Niveau 10	80	26																																												
Niveau 11	82	27																																												
Arrêt	AUCUN	AUCUN																																												
MINUTEUR		<p>Appuyez sur le bouton « MINUTEUR » à plusieurs reprises pour choisir un de ses paramètres (de 30 minutes à 9 heures).</p> <p>Les paramètres du minuteur sont présentés comme suit : 30, 1H, 2H, 3H, 4H, 5H, 6H, 7H, 8H, 9H, 0.</p> <p>Le foyer/appareil de chauffage s'éteindra dès que la période indiquée s'écoule.</p>																																												

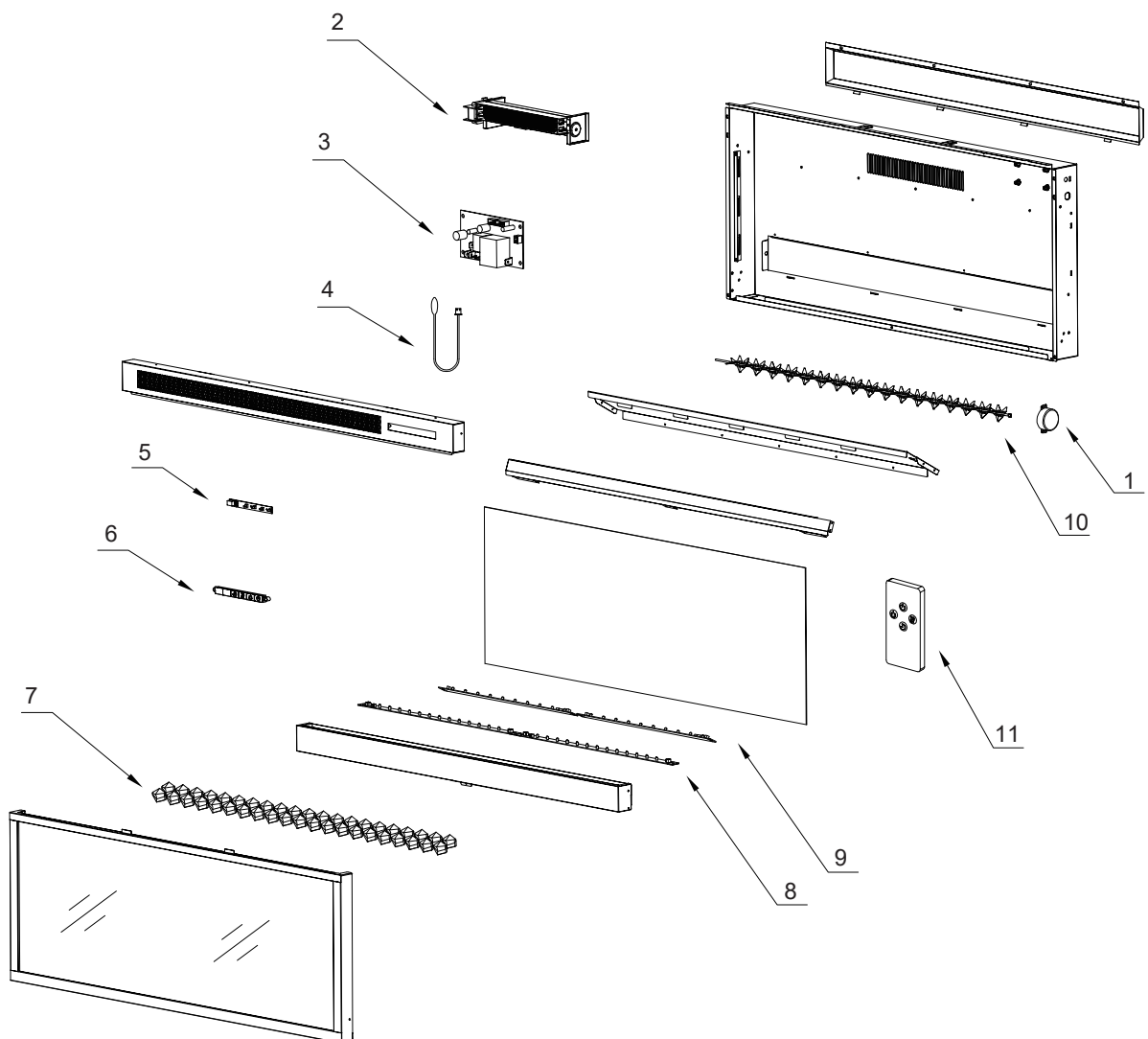
GUIDE DE DÉPANNAGE

PROBLÈME	CAUSE PROBABLE	ACTION CORRECTIVE
L'affichage indique "E1".	Le capteur du thermostat est brisé ou déconnecté.	Contactez le service à la clientèle pour obtenir un capteur de thermostat de rechange.
Aucune alimentation électrique.	L'appareil ne reçoit aucun courant.	Vérifiez que l'appareil est branché directement dans une prise de courant standard de 120 volts. Appuyez plusieurs fois sur le bouton marche/arrêt (Power) et assurez-vous qu'il est bien en position de marche (ON).
Le chauffage ne souffle pas d'air chaud.	Le réglage du thermostat empêche la mise en marche de l'élément chauffant.	Ajuster le réglage de température afin de vous assurer que le réglage du thermostat est réglé à une température plus élevée que la température actuelle de la pièce.
Le cordon électrique devient chaud.	Fonctionnement normal.	Vérifiez les branchements et le fil de votre appareil. Un branchement lâche ou une prise défectueuse peuvent causer une surchauffe de la prise de courant murale ou de la fiche. Vérifiez que la fiche électrique est insérée à fond dans la prise. Les appareils de chauffage consomment plus de courant que les petits appareils électriques; la surchauffe de la prise de courant murale peut survenir même si elle ne s'est pas produite avec l'utilisation d'autres appareils. Pendant l'utilisation, vérifiez fréquemment votre appareil afin de déterminer si la prise ou la fiche sont CHAUDES ! Si c'est le cas, cessez d'utiliser l'appareil et faites vérifier et/ou remplacer le cordon électrique par un électricien qualifié.
La télécommande ne fonctionne pas.	Pile épuisées ou signal faible.	Remplacez les pile de la télécommande. Veuillez utiliser la télécommande lentement. Pressez sur les boutons de la télécommande avec un mouvement égal et une légère pression. Presser les boutons de manière répétitive et rapide peut causer une défaillance de la télécommande.
Le bruit lorsque l'appareil est en marche est plus fort que la normale.	a. Les prises d'air sont sales ou obstruées.	a. Vérifiez les prises d'air pour détecter d'éventuelles obstructions ou une grande accumulation de poussière.
	b. Le montage de ventilateur/ chauffage est défectueux.	b. Contactez le service à la clientèle pour obtenir un nouveau ensemble de radiateur/ventilateur.
Bruit anormal quand le radiateur n'est pas activé et l'effet de flamme est en marche.	Le moteur de l'hélice est défectueux.	Contactez le service à la clientèle pour obtenir un nouveau moteur d'hélice.

LISTE DES PIÈCES DE RECHANGE ET VUE ÉCLATÉE

Pièce	Nom de la pièce
1	Moteur du générateur de flamme
2	Ensemble Chauffage/Ventilateur
3	Circuit imprimé principal
4	Capteur du thermostat
5	Circuit imprimé du panneau de commande
6	Panneau de commande
7	Lit de cristaux
8	Circuit imprimé du lit de braises
9	Circuit imprimé de l'effet de flamme
10	Générateur de flamme/ pièce tournante
11	Télécommande

Certaines pièces et caractéristiques peuvent changer sans préavis.



DIRECTIVES D'ENTRETIEN

Il est recommandé de nettoyer périodiquement le ventilateur/radiateur. Assurez-vous de mettre l'appareil hors fonction et de le débrancher avant de le nettoyer.



Vérifiez le branchement du cordon et de la fiche du foyer. Toute connexion desserrée risque d'entraîner une surchauffe et un incendie. Assurez-vous que la fiche entre bien dans la prise de courant. Durant l'utilisation, vérifiez fréquemment s'il y a surchauffe au niveau de la connexion de la fiche dans la prise de courant. Le cas échéant, cessez d'utiliser le foyer et faites remplacer la prise de courant par un électricien qualifié.

Remarque : un foyer utilise davantage de courant que les petits électroménagers et risque de faire surchauffer la prise de courant, même si ce n'est pas le cas avec d'autres appareils.



AVERTISSEMENT : le câblage de la prise de courant doit respecter le code du bâtiment local et toute autre réglementation applicable pour réduire les risques d'incendie, de choc électrique ou de blessures.



AVERTISSEMENT : assurez-vous de mettre l'appareil hors fonction avant de commencer. Toute réparation de nature électrique ou tout câblage de cet appareil doit être réalisé par un électricien qualifié selon les codes national et local en vigueur.

Lors de la réparation ou du remplacement de tout composant électrique ou de tout câblage, l'acheminement des fils, le chromocodage et les points de fixation d'origine doivent être respectés.

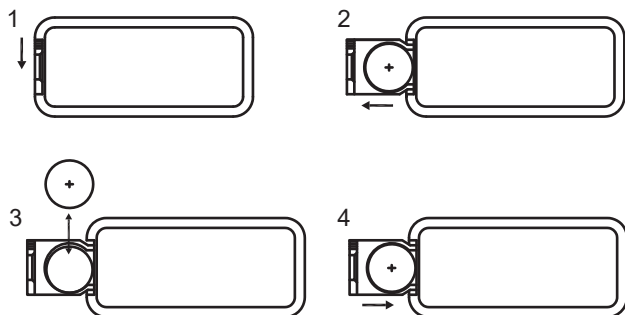


AVERTISSEMENT : débranchez l'appareil avant d'entreprendre tout entretien ou nettoyage, afin de réduire les risques d'incendie, de choc électrique ou de blessures.

REPLACEMENT DE LA PILE DE LA TÉLÉCOMMANDE

Lorsque la télécommande s'arrête de fonctionner ou sa puissance semble réduite, il est temps de remplacer les piles.

Pile de bouton 3 volts au lithium type 2025.



REMARQUE:

Prudence contre l'ingestion.

Ne mélangez pas les piles alcalines, standard (carbone-zinc), ou rechargeables (ni-cad, ni-mh, etc).

Les piles doivent être retirées si le produit ne sera pas utilisé pendant une longue période.

Veuillez utiliser la télécommande à un rythme lent mesuré. Appuyez sur les boutons de la télécommande avec des mouvements uniformes et une légère pression. Appuyer plusieurs fois sur les boutons en succession rapide peut causer le dysfonctionnement de l'émetteur.

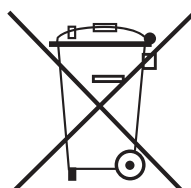
MISE AU REBUT DES PILES USAGÉES

Les piles peuvent contenir des substances dangereuses qui pourraient mettre en péril l'environnement et la santé humaine.

Les piles usagées ne doivent pas être jetées avec les déchets municipaux. Au lieu de cela, ils devraient être amenés au point de collecte approprié pour recyclage.

En éliminant correctement les piles usagées, vous contribuez à empêcher d'éventuelles conséquences négatives pour l'environnement et la santé humaine. Le recyclage des matériaux usagés permet également de conserver les ressources naturelles.

Pour plus d'informations sur la collecte et le recyclage des piles usagées, veuillez contacter votre municipalité, votre service d'élimination des déchets ou le magasin où vous avez acheté ce produit.



ASSEMBLY INSTRUCTIONS NOTICE D'ASSEMBLAGE

ITEM: HF230024/AXELPIER

Important note/Note importante:

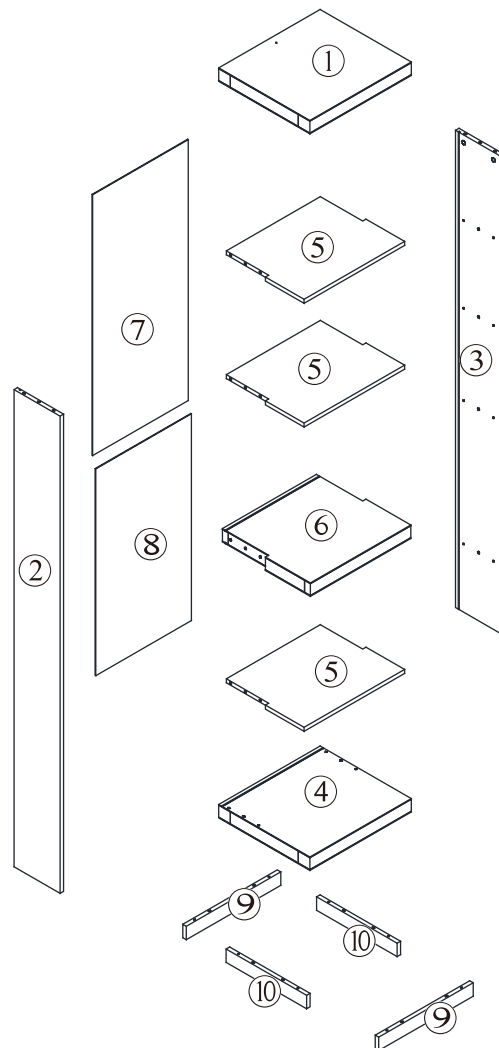
1. Place all wooden parts on a clean and smooth surface such as a rug or carpet to avoid scratching the parts./Placer les pièces sur une surface propre et lisse tel qu'une couverture ou un tapis pour éviter d'endommager les pièces.

2. Kindly follow the assembly instructions step by step./Veuillez suivre la notice d'assemblage, pas à pas.

3. Check to ensure this carton contains all parts./Vérifiez le contenu de cet emballage pour vous assurer qu'il contienne toutes les pièces.

PARTS IDENTIFICATION / IDENTIFICATION DES PIÈCES

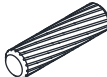

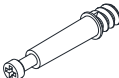




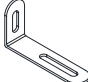


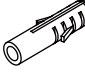


- ① x 1pc/pce
- ② x 1pc/pce
- ③ x 1pc/pce
- ④ x 1pc/pce
- ⑤ x 3pcs/pces
- ⑥ x 1pc/pce
- ⑦ x 1pc/pce
- ⑧ x 1pc/pce
- ⑨ x 2pcs/pces
- ⑩ x 2pcs/pces



ASSEMBLY INSTRUCTIONS NOTICE D'ASSEMBLAGE

ITEM: HF230024/AXELPIER

HARDWARE IDENTIFICATION / IDENTIFICATION DES PIÈCES MONTAGE

A		$\Phi 7.8 \times 30 \text{mm}$	20 pcs/pces
B		$\Phi 15 \times 12 \text{mm}$	20 pcs/pces
C		$\Phi 6 \times 36 \text{mm}$	20 pcs/pces
D		$\Phi 5 \times 70 \text{mm}$	4 pcs/pces
E		$\Phi 4 \times 50 \text{mm}$	8 pcs/pces
F		$14 \times 13 \times 9.5 \text{mm}$	14 pcs/pces
G		$\Phi 3 \times 16 \text{mm}$	14 pcs/pces
H		$66 \times 35 \times 15 \text{mm}$	1 pc/pce
I		$\Phi 4 \times 20 \text{mm}$	3 pcs/pces
J		$\Phi 4 \times 35 \text{mm}$	1 pc/pce
K		$\Phi 6 \times 30 \text{mm}$	1 pc/pce
L		$\Phi 12 \times 1 \text{mm}$	2 pcs/pces
M		$92 \times 13 \text{mm}$	1 pc/pce

ASSEMBLY INSTRUCTIONS NOTICE D'ASSEMBLAGE

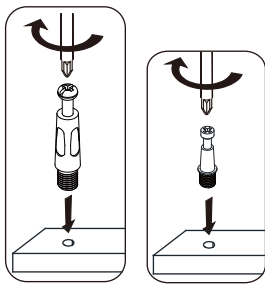
Necessary tools/Outils nécessaires



Glue not included (We recommend to apply some glue into holes before inserting wood dowels .)

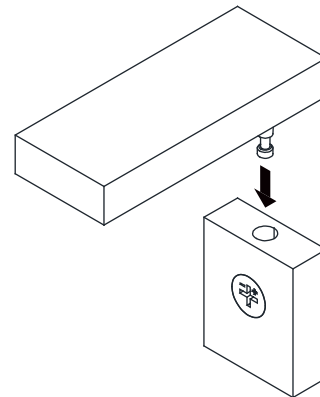
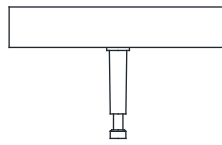
Colle non inclus (Nous vous recommandons d'appliquer quelques gouttes de colle dans les trous avant d'introduire les chevilles de bois.)

How to use cam lock system/Comment utiliser le système de verrouillage



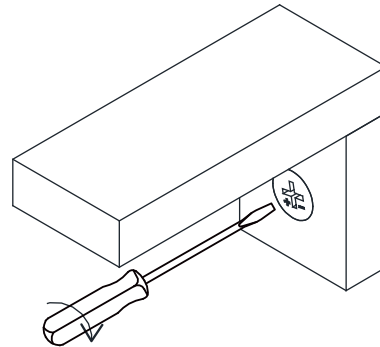
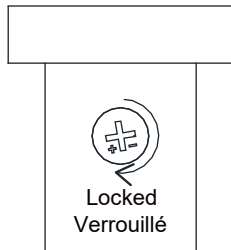
*Screw in cam post and tighten in place.

*Visser le montant de came et serrer en place.



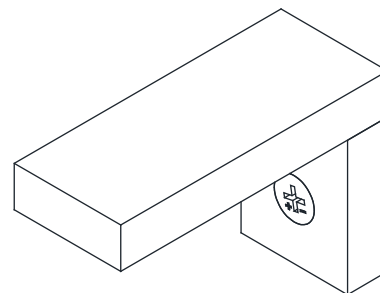
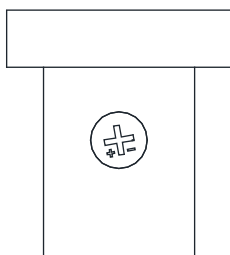
*Ensure that the cam lock arrow is pointed to the hole, align the cam lock screw to the hole of the cam lock case.

*Assurez-vous que la flèche de verrouillage sur l'écrou de sécurité est orientée vers l'orifice, insérez la vis de verrouillage dans l'orifice.



*Use a straight screwdriver to turn cam lock case until it is locked. Locked position is approximately 1/2 turn (210°) clock-wise.

*Utilisez un tournevis ligne droite pour faire tourner l'écrou de sécurité afin de le verrouiller. La position verrouillée est environ 1/2 tour (210°) à la droite.



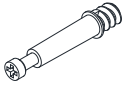
*After turning the cam lock case to the locked position, the cam lock arrow will be located in the position shown above.

*Après avoir tourné l'écrou de sécurité pour le verrouiller, la flèche de serrure de came se situeront dans la position indiquée ci-dessus.

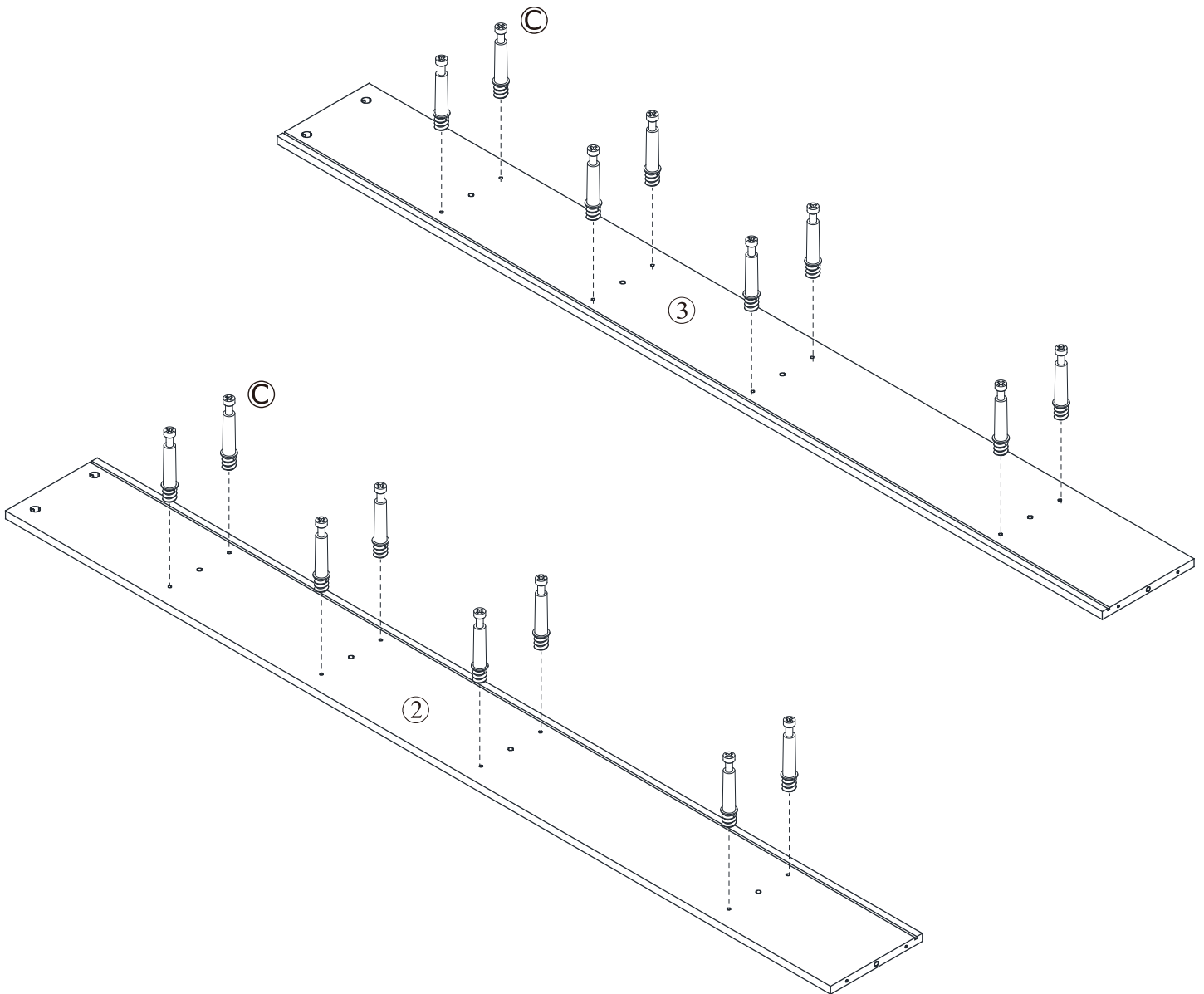
ASSEMBLY INSTRUCTIONS NOTICE D'ASSEMBLAGE

ITEM: HF230024/AXELPIER

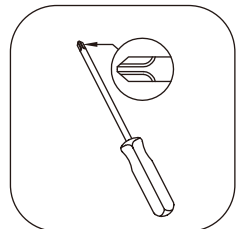
STEP 1 / ÉTAPE 1



C x 16



TOOLS REQUIRED
(NOT INCLUDED)
OUTILS REQUIS
(NON COMPRIS)



ASSEMBLY INSTRUCTIONS NOTICE D'ASSEMBLAGE

ITEM: HF230024/AXELPIER

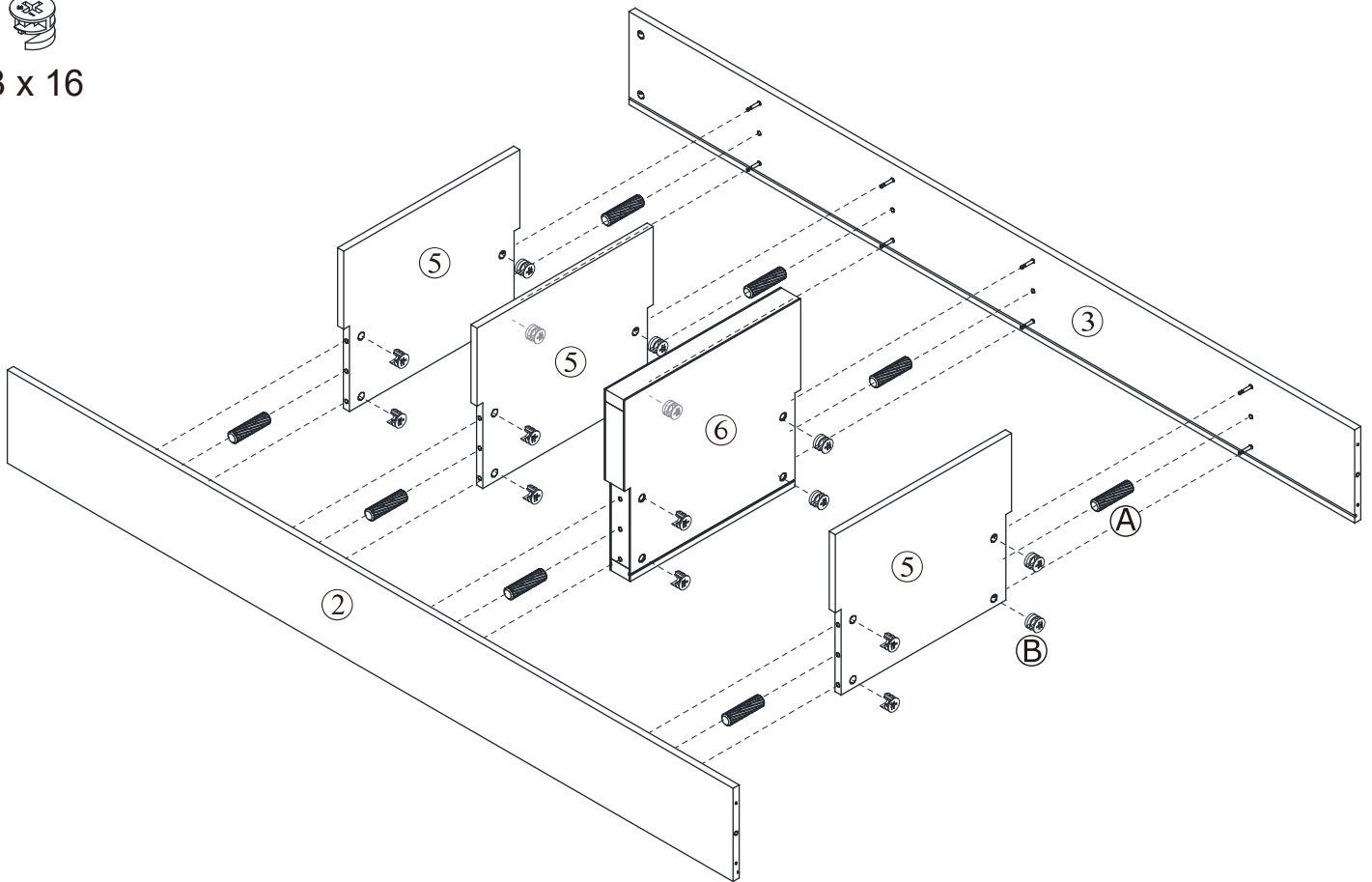
STEP 2 / ÉTAPE 2



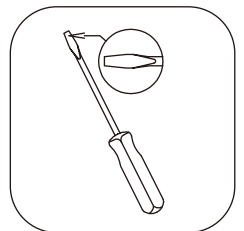
A x 8



B x 16



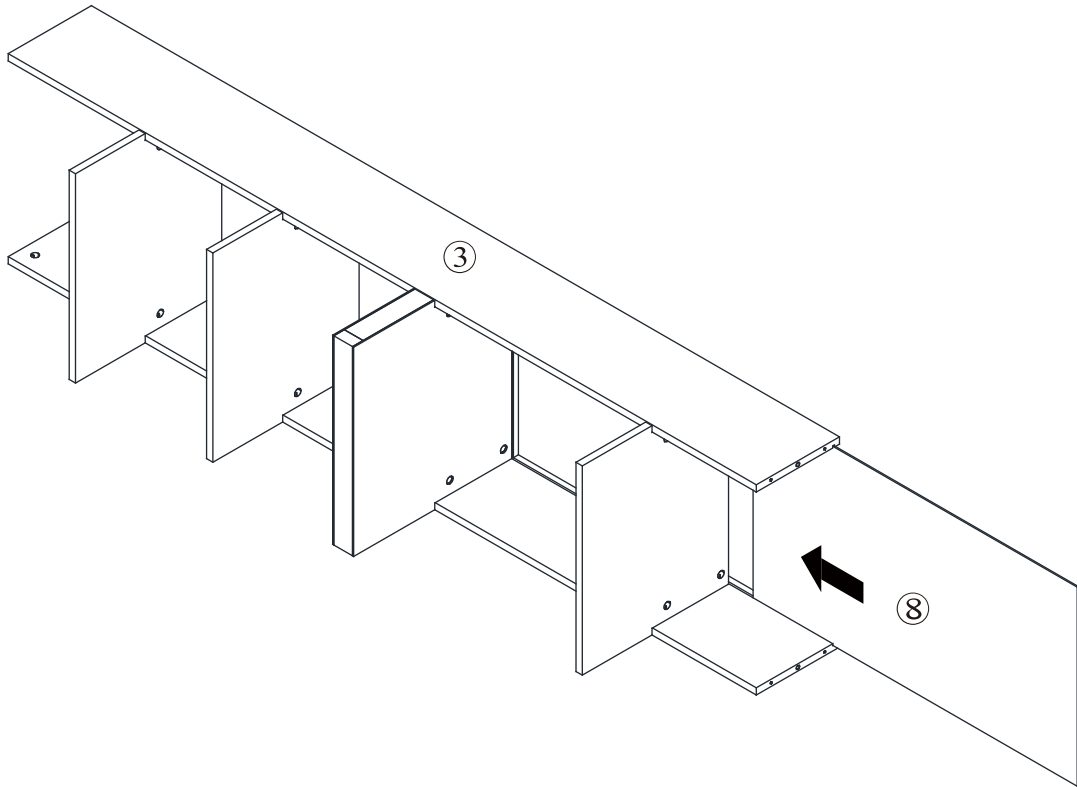
TOOLS REQUIRED
(NOT INCLUDED)
OUTILS REQUIS
(NON COMPRIS)



ASSEMBLY INSTRUCTIONS NOTICE D'ASSEMBLAGE

ITEM: HF230024/AXELPIER

STEP 3 / ÉTAPE 3



ASSEMBLY INSTRUCTIONS NOTICE D'ASSEMBLAGE

ITEM: HF230024/AXELPIER

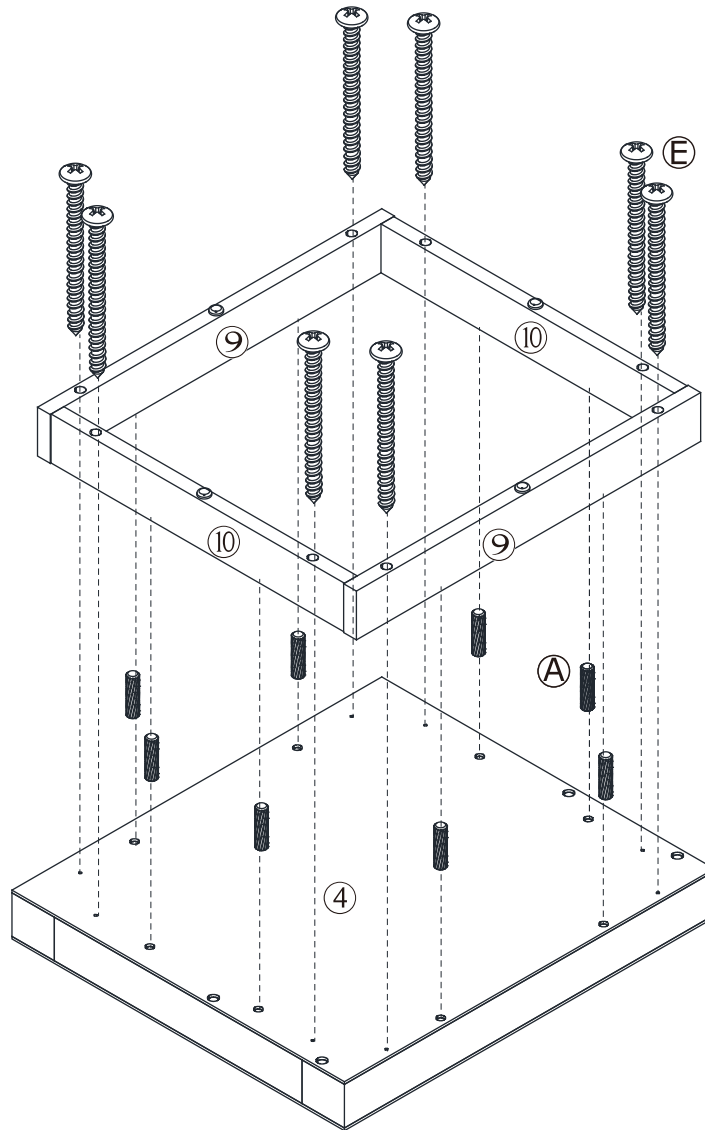
STEP 4 / ÉTAPE 4



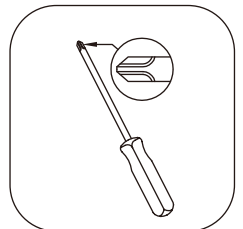
A x 8



E x 8



TOOLS REQUIRED
(NOT INCLUDED)
OUTILS REQUIS
(NON COMPRIS)



ASSEMBLY INSTRUCTIONS NOTICE D'ASSEMBLAGE

ITEM: HF230024/AXELPIER

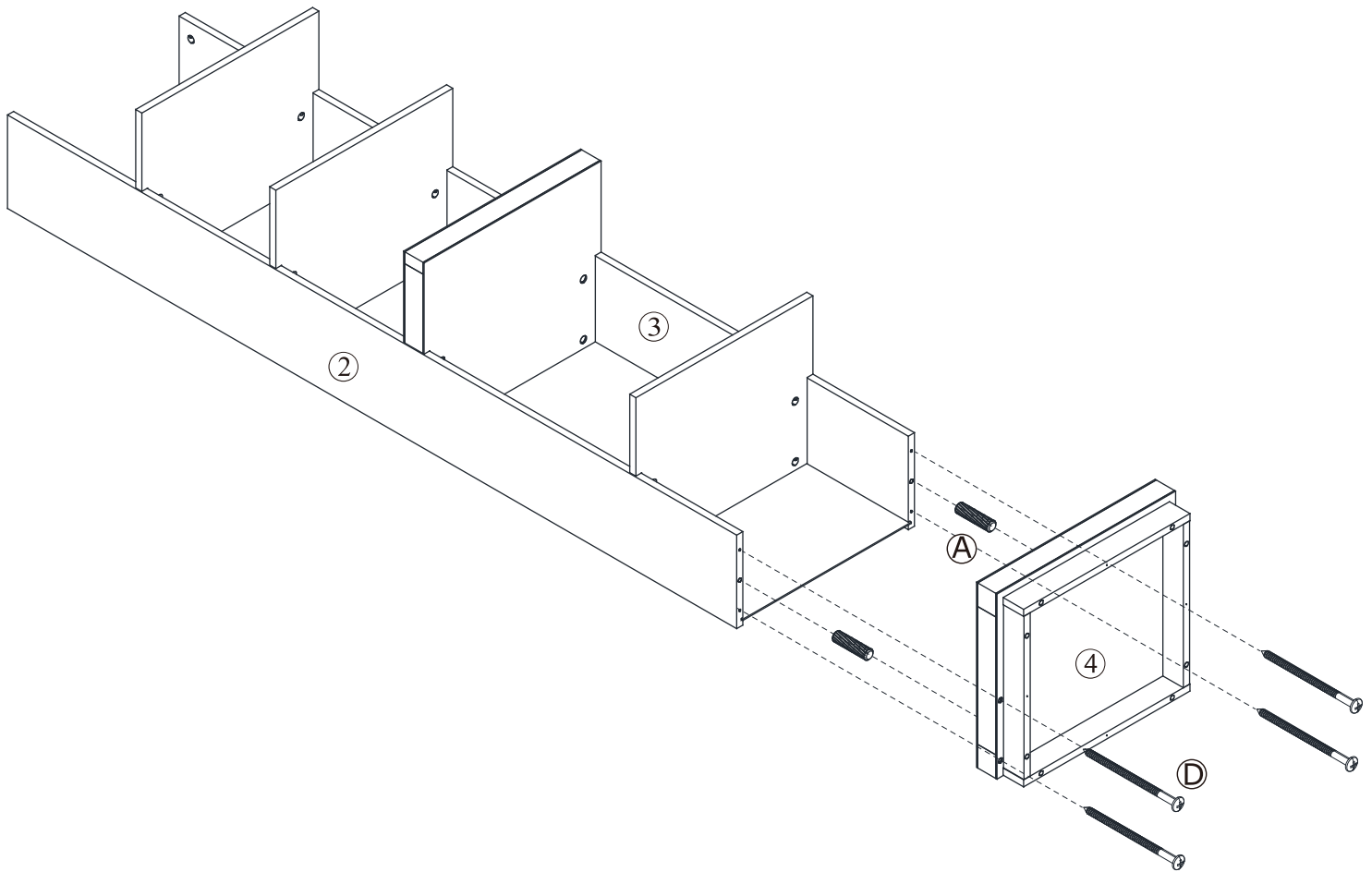
STEP 5 / ÉTAPE 5



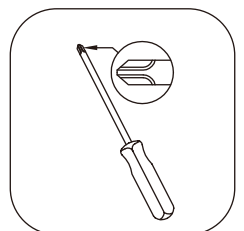
A x 2



D x 4



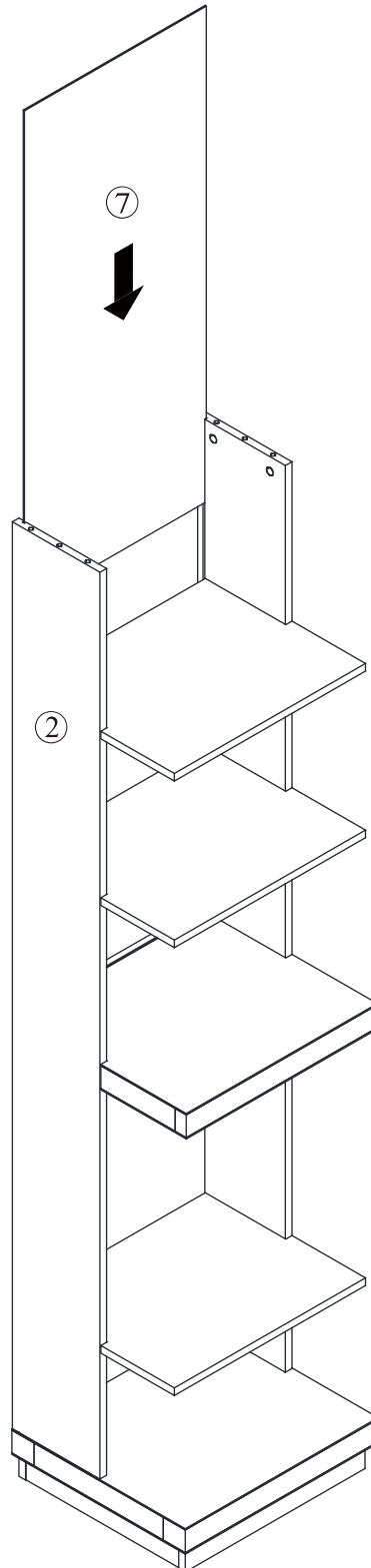
TOOLS REQUIRED
(NOT INCLUDED)
OUTILS REQUIS
(NON COMPRIS)



ASSEMBLY INSTRUCTIONS NOTICE D'ASSEMBLAGE

ITEM: HF230024/AXELPIER

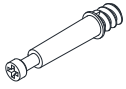
STEP 6 / ÉTAPE 6



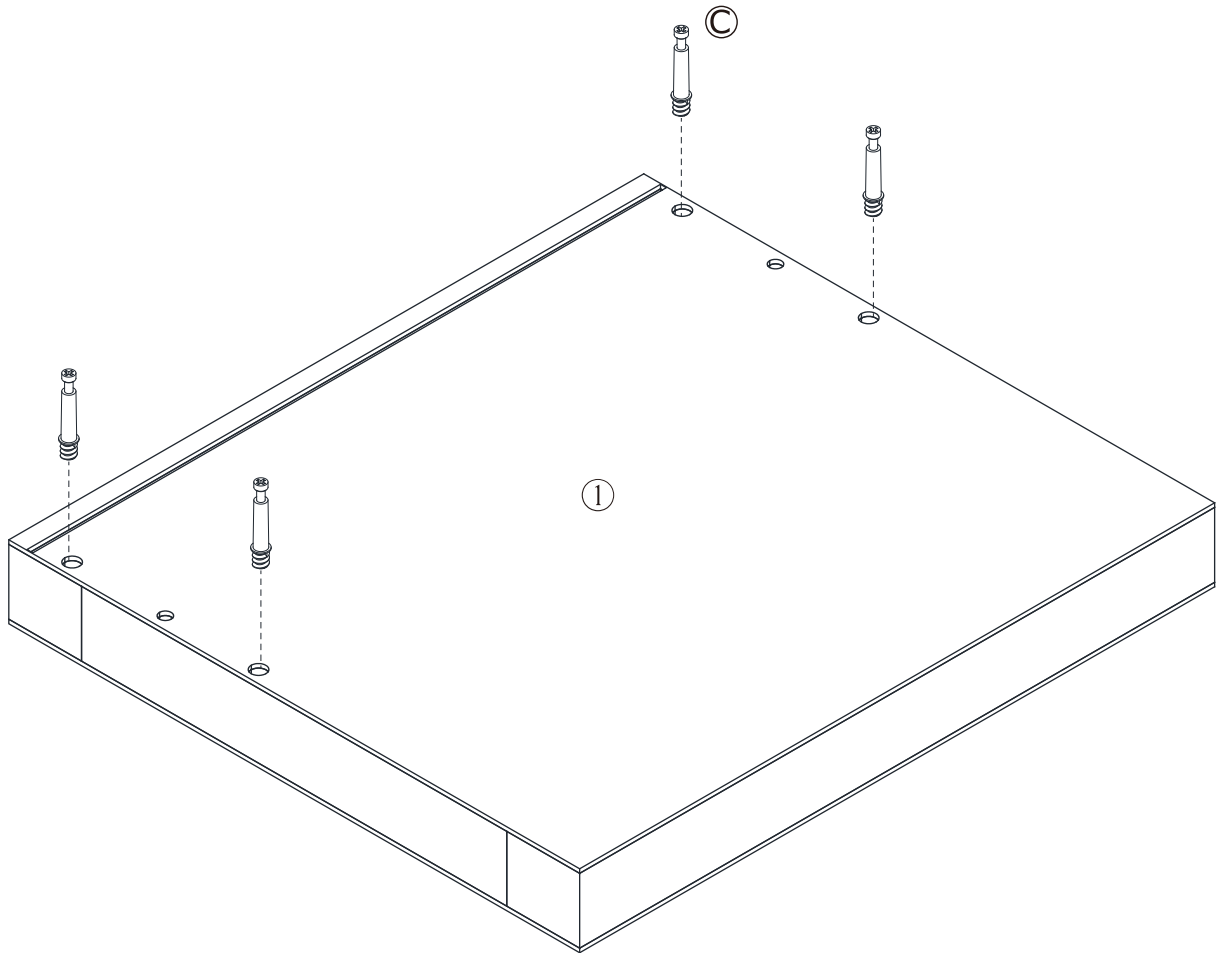
ASSEMBLY INSTRUCTIONS NOTICE D'ASSEMBLAGE

ITEM: HF230024/AXELPIER

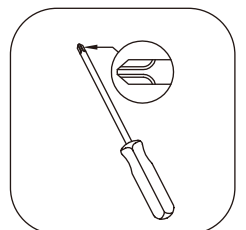
STEP 7 / ÉTAPE 7



C x 4



TOOLS REQUIRED
(NOT INCLUDED)
OUTILS REQUIS
(NON COMPRIS)



ASSEMBLY INSTRUCTIONS NOTICE D'ASSEMBLAGE

ITEM: HF230024/AXELPIER

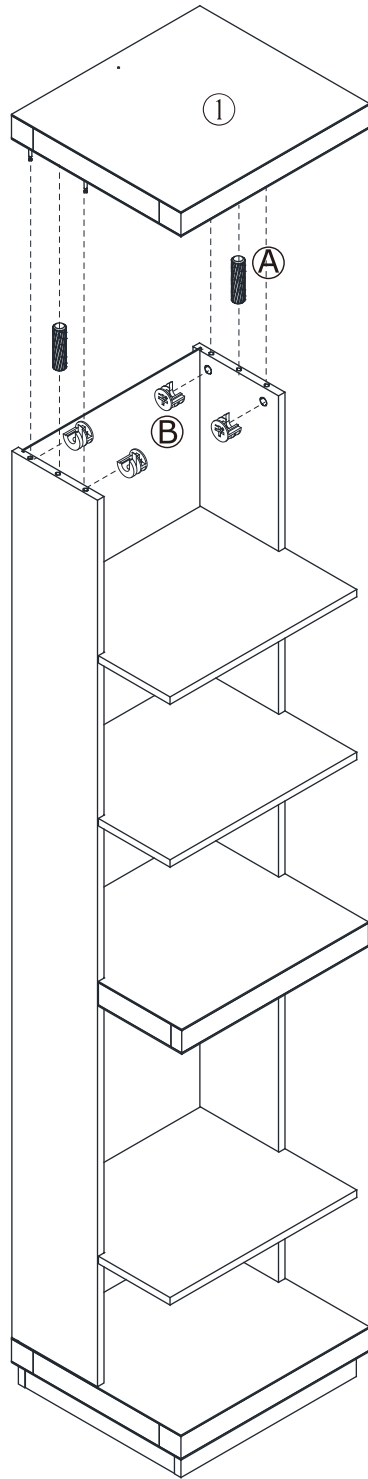
STEP 8 / ÉTAPE 8



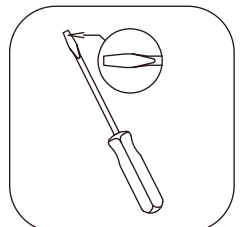
A x 2



B x 4



TOOLS REQUIRED
(NOT INCLUDED)
OUTILS REQUIS
(NON COMPRIS)



ASSEMBLY INSTRUCTIONS NOTICE D'ASSEMBLAGE

ITEM: HF230024/AXELPIER

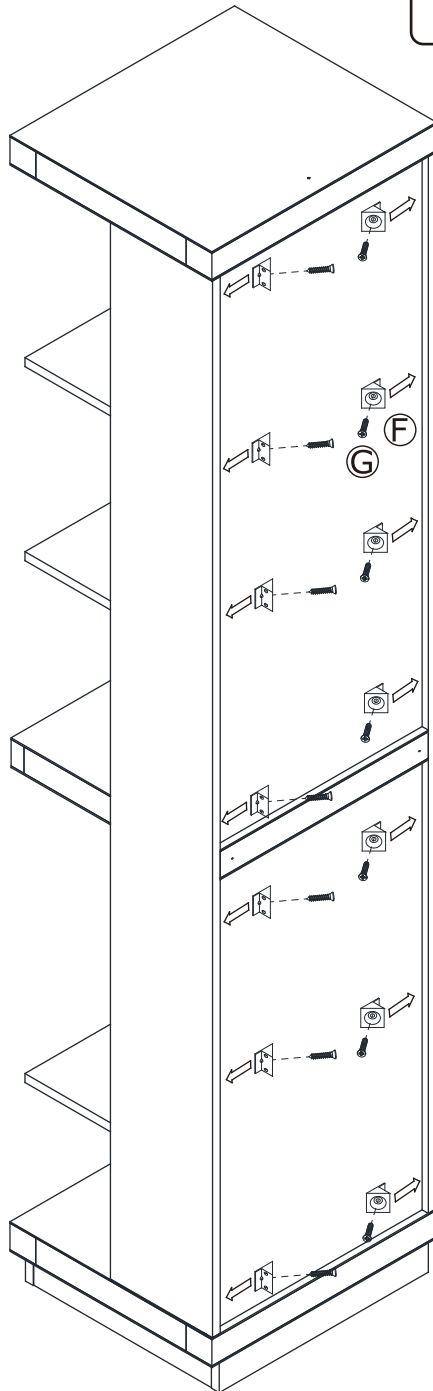
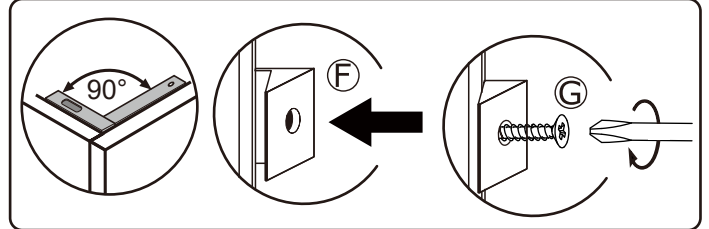
STEP 9 / ÉTAPE 9



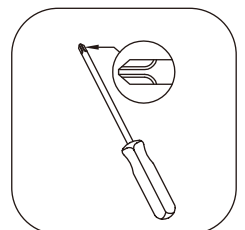
F x 14



G x 14



TOOLS REQUIRED
(NOT INCLUDED)
OUTILS REQUIS
(NON COMPRIS)



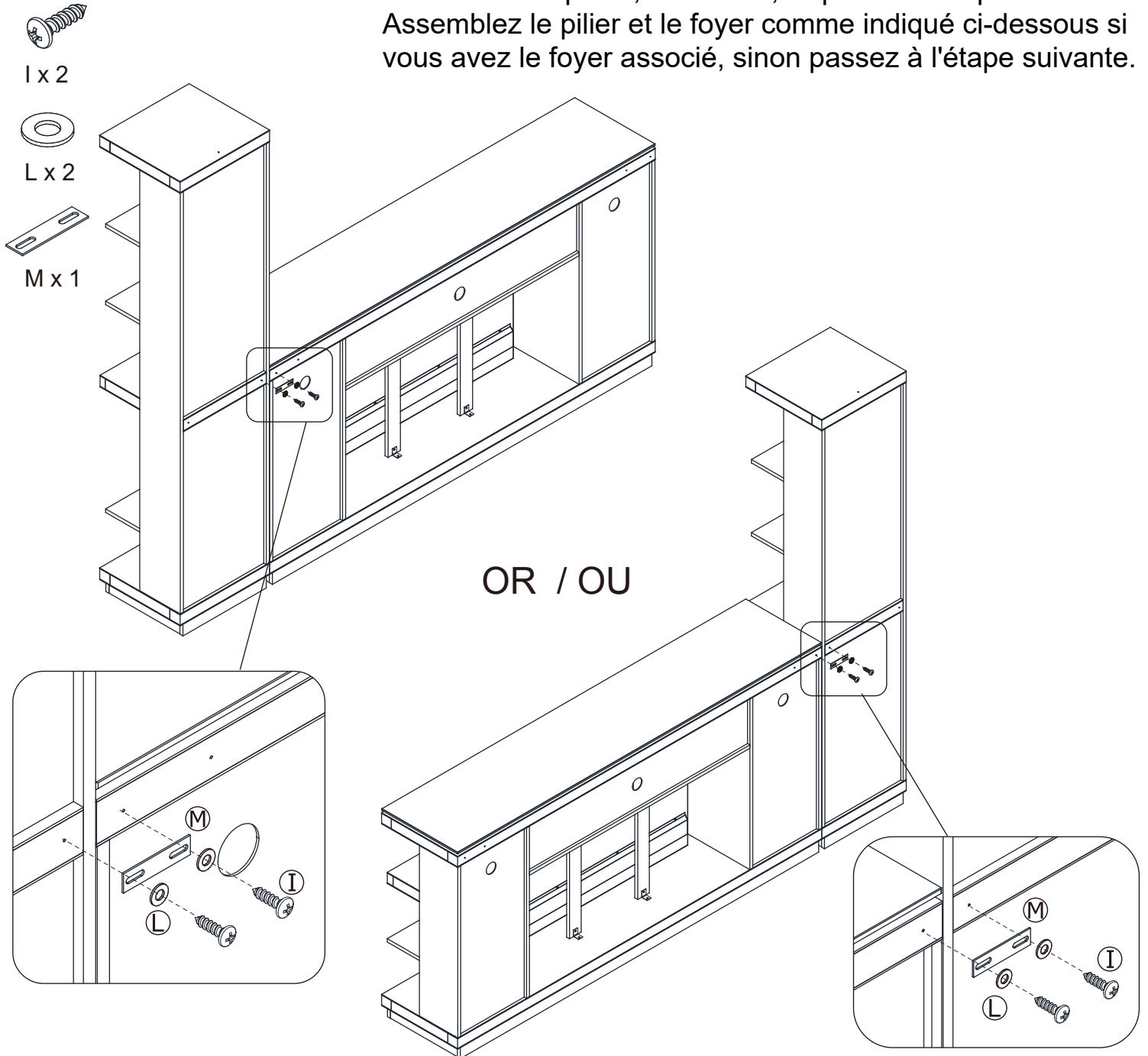
ASSEMBLY INSTRUCTIONS NOTICE D'ASSEMBLAGE

ITEM: HF230024/AXELPIER

STEP 10 / ÉTAPE 10

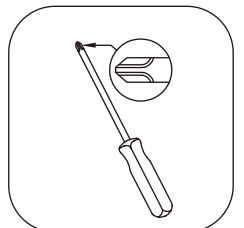
Assemble the pier and fireplace as shown below if you have the related fireplace, otherwise, skip to next step.

Assemblez le pilier et le foyer comme indiqué ci-dessous si vous avez le foyer associé, sinon passez à l'étape suivante.



TOOLS REQUIRED
(NOT INCLUDED)

OUTILS REQUIS
(NON COMPRIS)


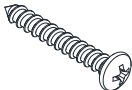




ANTI-TIPPING STRIP INSTRUCTION

INSTRUCTIONS POUR SANGLE ANTI-BASCULEMENT

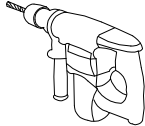
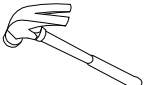
HARDWARE INCLUDED

MATÉRIEL INCLUS

	L SHAPED BRACKET SUPPORT EN L	66×35×15mm	1 pc/pce
	SCREW VIS	Φ4×35mm	1 pc/pce
	SCREW VIS	Φ4×20mm	1 pc/pce
	WALL ANCHOR ANCRE AU MUR	Φ6×30mm	1 pc/pce

TOOLS REQUIRED (NOT INCLUDED)

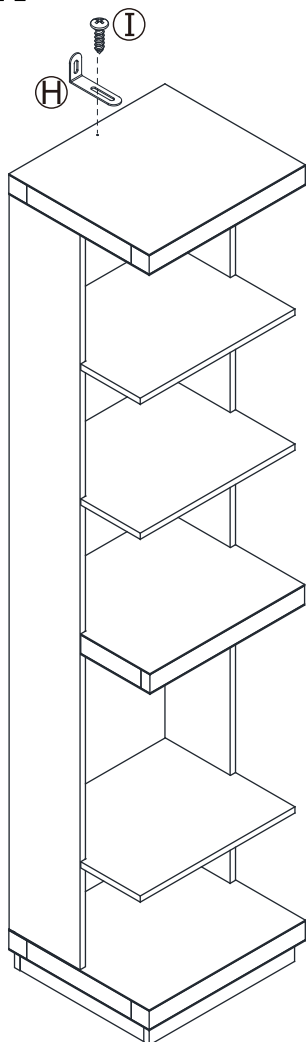
OUTILS REQUIS (NON COMPRIS)

	DRILL & DRILL BIT PERCEUSE ET TRÉPAN
	LIGHT HAMMER MARTEAU LÉGER

Note : Hardware included only compatible with standard drywalls.

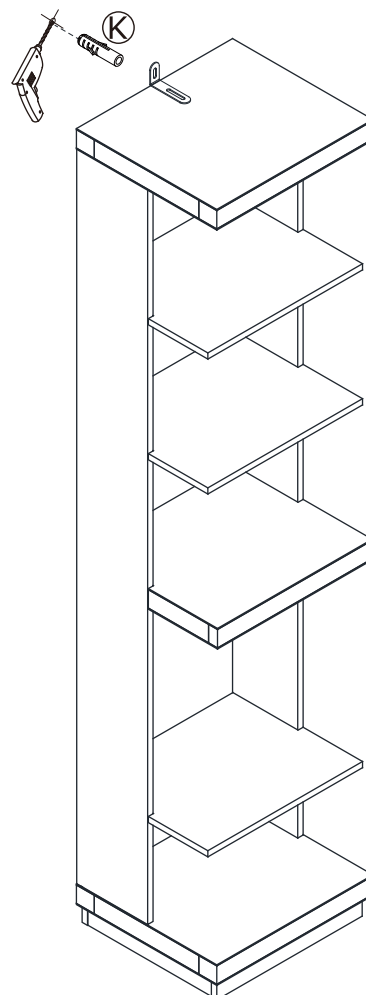
Notez:Que la quincaillerie incluse est compatible avec les ancrages de mur standard.

STEP 1 / ÉTAPE 1



Attach one L shaped bracket (H) into the top panel (1) using screw (I).
Fixer un support en L (H) dans le panneau supérieur (1) à l'aide de la vis (I).

STEP 2 / ÉTAPE 2







1.Pick your desired area of placement. Mark hole placement on wall using L shaped bracket (H).
Choisissez la zone de placement souhaitée. Marquez le placement du trou sur le mur à l'aide d'un support en L (H).
2.Using a drill bit slightly smaller than the gauge of Wall Anchor (K), drill a hole then place the Wall Anchor (K) into wall. A l'aide d'un trépan légèrement plus petit qu'un Ancre au mur insérée (K) en acier de jauge, percer un trou puis placer l'Ancre au mur insérée (K).

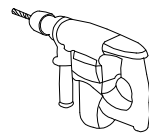
ANTI-TIPPING STRIP INSTRUCTION

INSTRUCTIONS POUR SANGLE ANTI-BASCULEMENT

HARDWARE INCLUDED MATÉRIEL INCLUS

	L SHAPED BRACKET SUPPORT EN L	66×35×15mm	1 pc/pce
	SCREW VIS	Φ4×35mm	1 pc/pce
	SCREW VIS	Φ4×20mm	1 pc/pce
	WALL ANCHOR ANCRE AU MUR	Φ6×30mm	1 pc/pce

TOOLS REQUIRED (NOT INCLUDED) OUTILS REQUIS (NON COMPRIS)



DRILL & DRILL BIT
PERCEUSE ET TRÉPAN

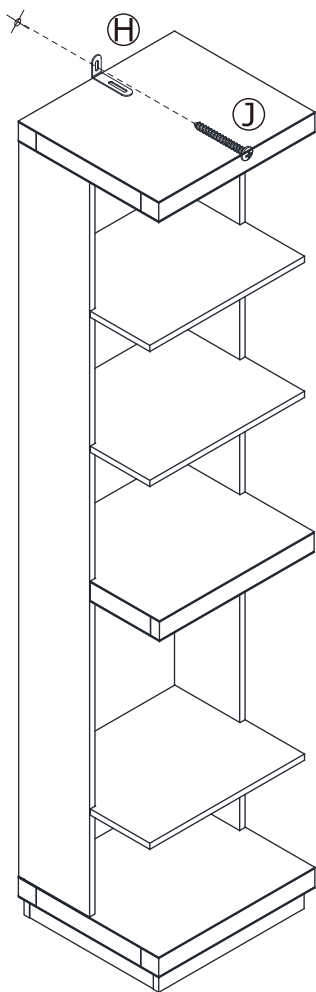


LIGHT HAMMER
MARTEAU LÉGER

Note : Hardware included only compatible with standard drywalls.

Notez:Que la quincaillerie incluse est compatible avec les ancrages de mur standard.

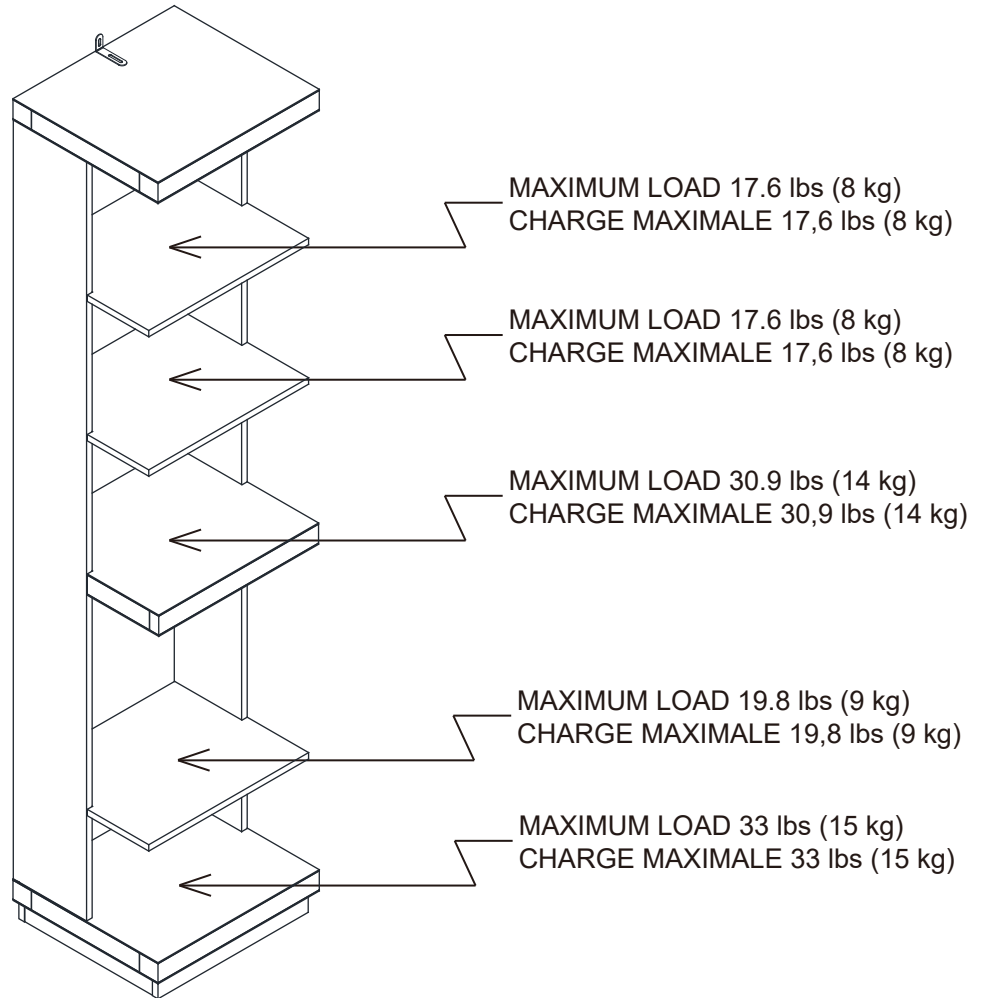
STEP 3 / ÉTAPE 3



Insert and secure the screw (J) through the other end of the L shaped bracket (H) into the inserted wall anchor (K).
Insérer et fixer la vis (J) à travers l'autre extrémité du support en L (H) dans la ancre au mur insérée (K).

ASSEMBLY INSTRUCTIONS NOTICE D'ASSEMBLAGE

ITEM: HF230024/AXELPIER



COMPLETE / ASSEMBLAGE TERMINÉ

