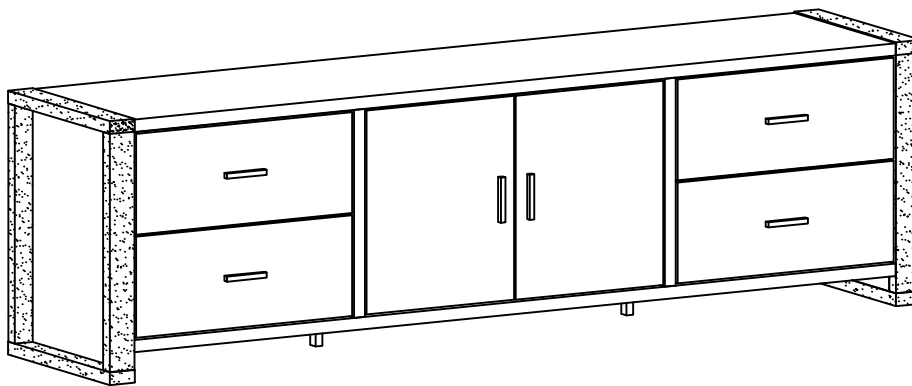


# ASSEMBLY INSTRUCTIONS / INSTRUCTIONS D'ASSEMBLAGE

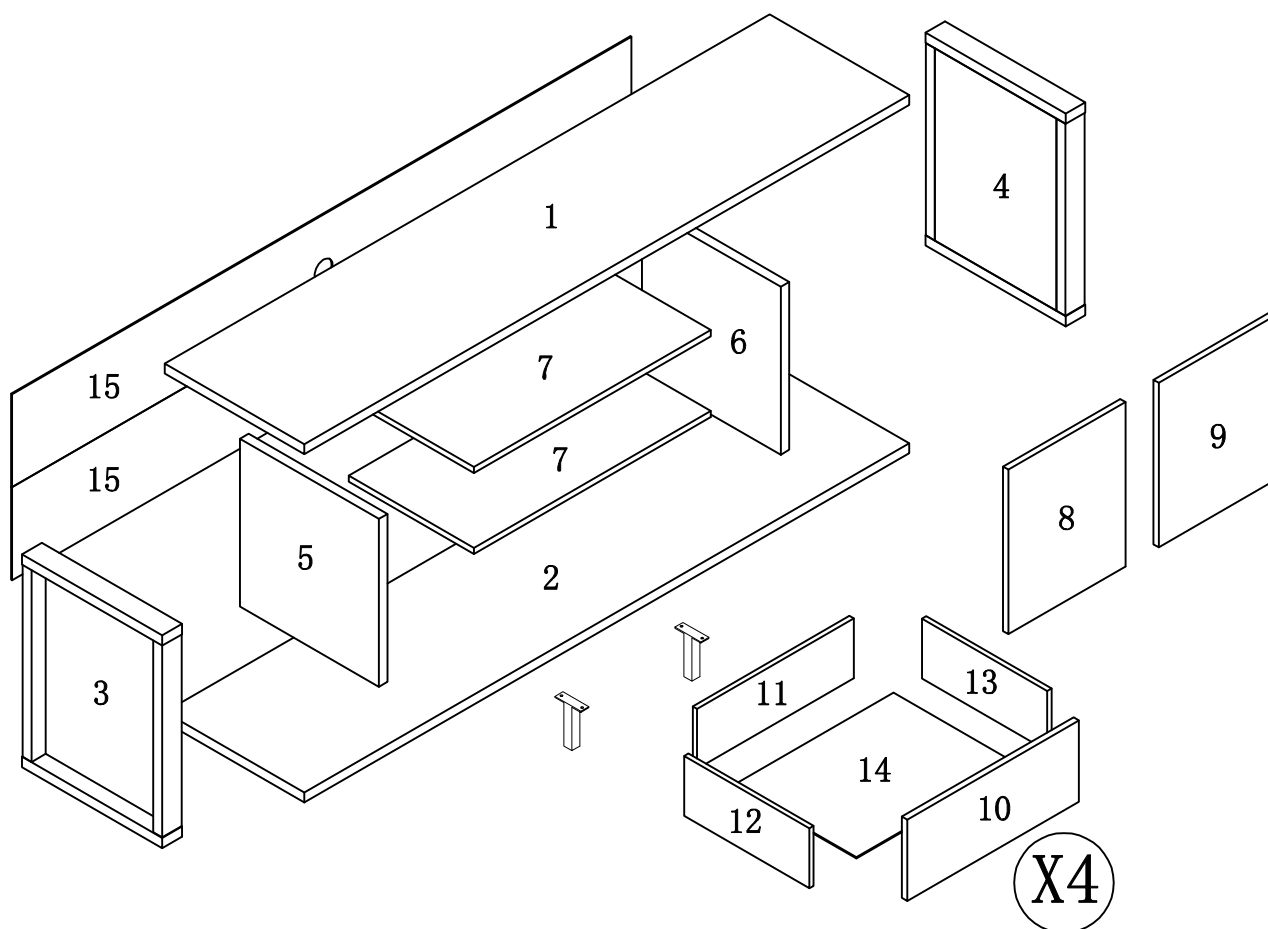
---

ITEM NO/NO ARTICLE: ASH70TVS/151355



# PARTS IDENTIFICATIONS / IDENTIFICATION DES PIECES

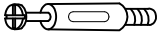


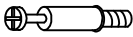











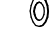

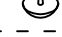
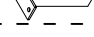
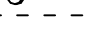
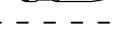
ITEM NO/NO ARTICLE: ASH70TVS/151355



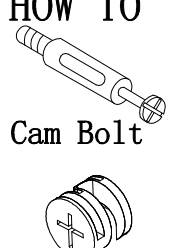
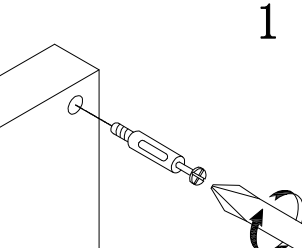
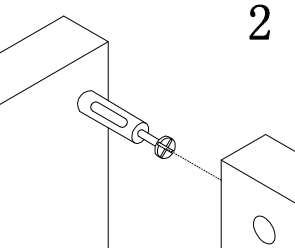
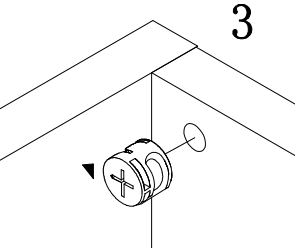
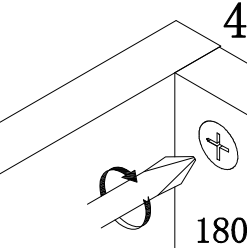
(1) 1pc/pce	(6) 1pc/pce	(11) 4pcs/pce
(2) 1pc/pce	(7) 2pcs/pce	(12) 4pcs/pce
(3) 1pc/pce	(8) 1pc/pce	(13) 4pcs/pce
(4) 1pc/pce	(9) 1pc/pce	(14) 4pcs/pce
(5) 1pc/pce	(10) 4pcs/pce	(15) 2pcs/pce

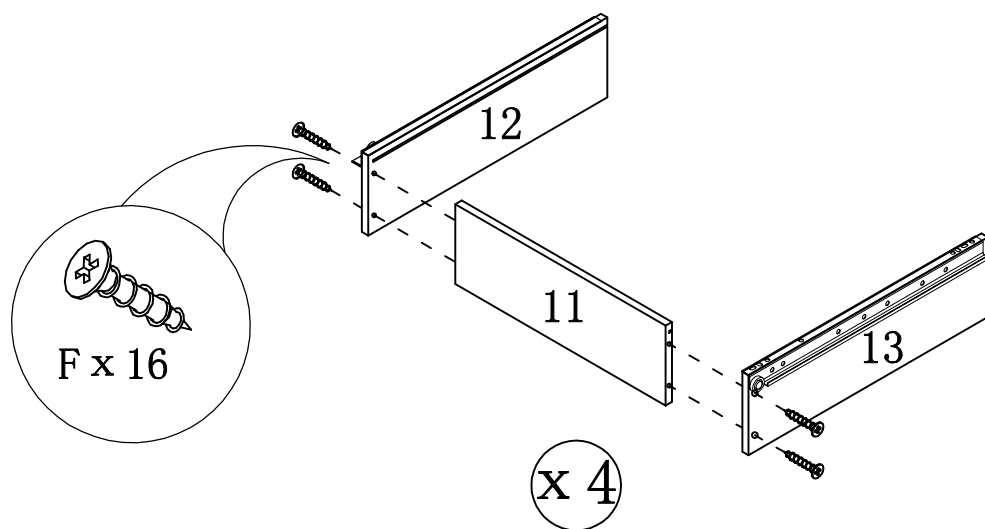
# HARDWARE IDENTIFICATIONS/ IDENTIFICATION DU KIT D'ASSEMBLAGE

## ITEM NO/NO ARTICLE: ASH70TVS/151355

A		L=29	12pcs
B		Ø15	12pcs
C		Ø8x25	8pcs
D		L20	16pcs
E		Ø 12	16pcs
F		Ø4x30	16pcs
G		Ø5	8pcs
H		96#	6pcs
I		M4x25	12pcs
J			2pcs
K			2pcs
L		Ø3x16	4pcs
M		Ø3x14	4pcs
N			2pcs
O		Ø7x48	4pcs
P		Ø8x16x2	4pcs
Q			40pcs
R		Ø16	4pcs
S		80x25x62H	2pcs
T		Ø4x16	4pcs
U		Glue: For securing please apply to wood dowel first before inserting into panel	1pc

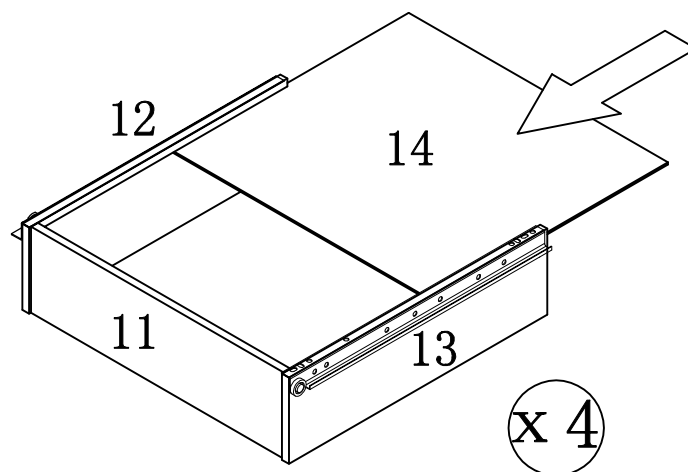
# ITEM NO/NO ARTICLE: ASH70TVS/151355

<p><b>HOW TO</b></p>  <p>Cam Bolt</p> <p>Cam Lock</p>	<p><b>1</b></p> 	<p><b>2</b></p> 	<p><b>3</b></p> 	<p><b>4</b></p>  <p>180°</p>
<p>1. Screw Cam Bolt into panel.</p>	<p>2. Insert Cam Bolt into bolt hole of joining panel.</p>	<p>3. Insert Cam Lock. arrow facing bolt.</p>	<p>4. Gently turn Cam Lock clockwise to lock position.</p>	

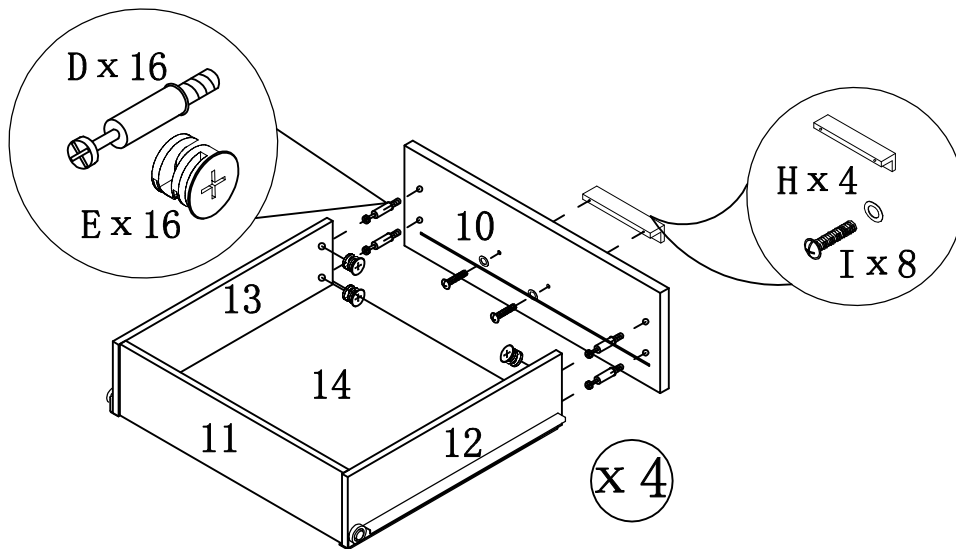


STEP 1 / ETAPE 1

STEP 2 / ETAPE 2

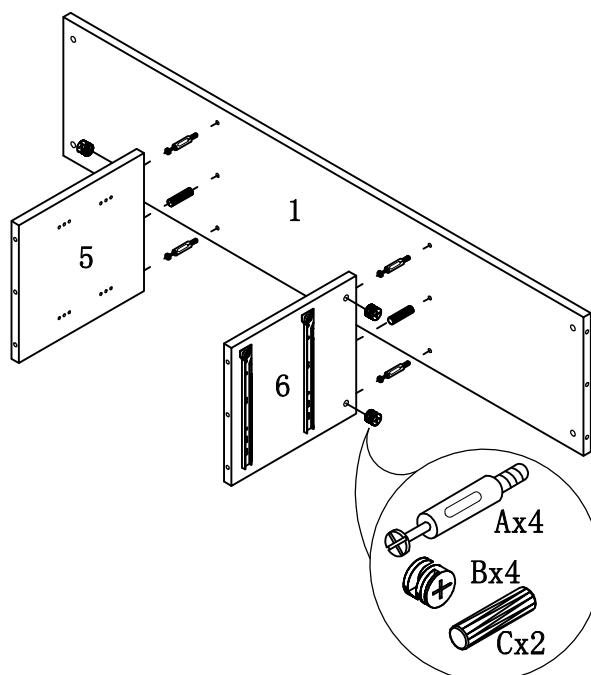


# ITEM NO/NO ARTICLE: ASH70TVS/151355

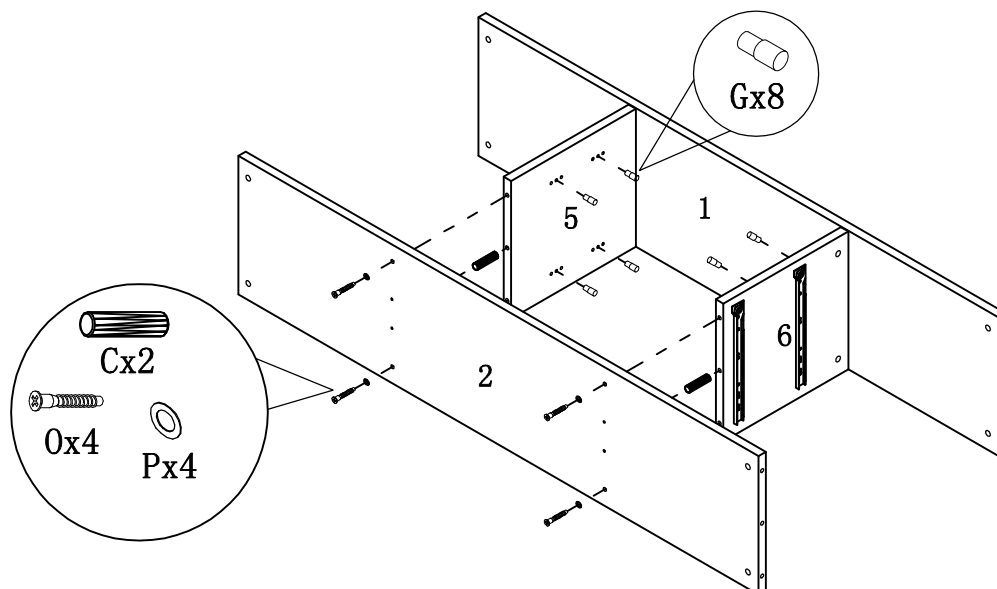


STEP 3 / ETAPE 3

STEP 4 / ETAPE 4

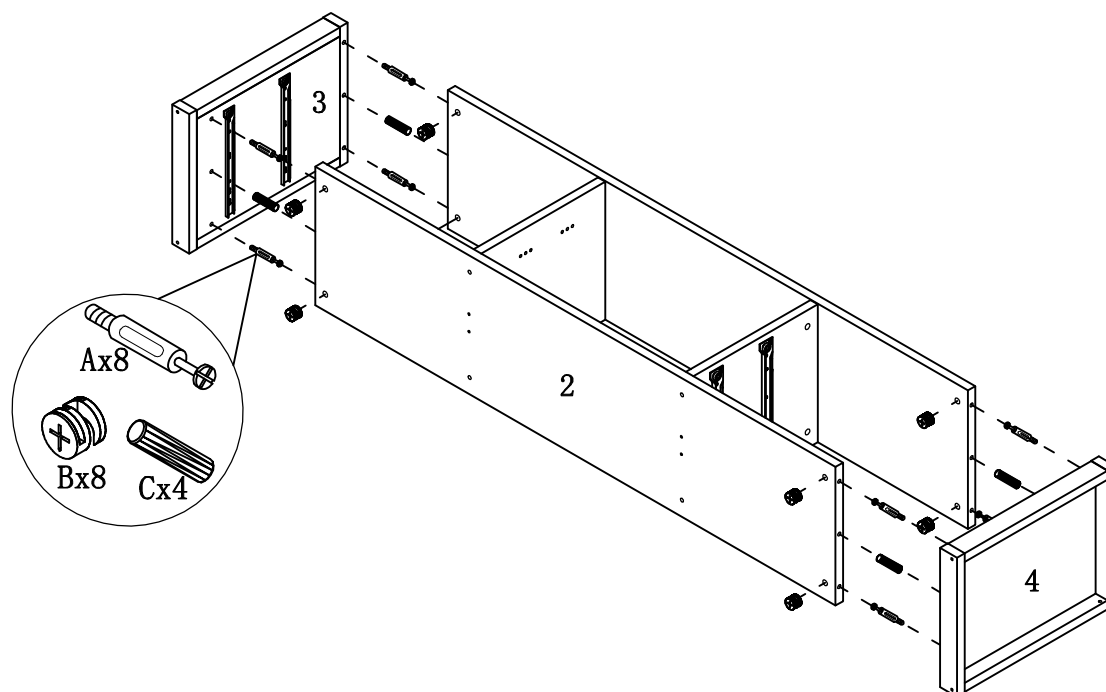


# ITEM NO/NO ARTICLE: ASH70TVS/151355

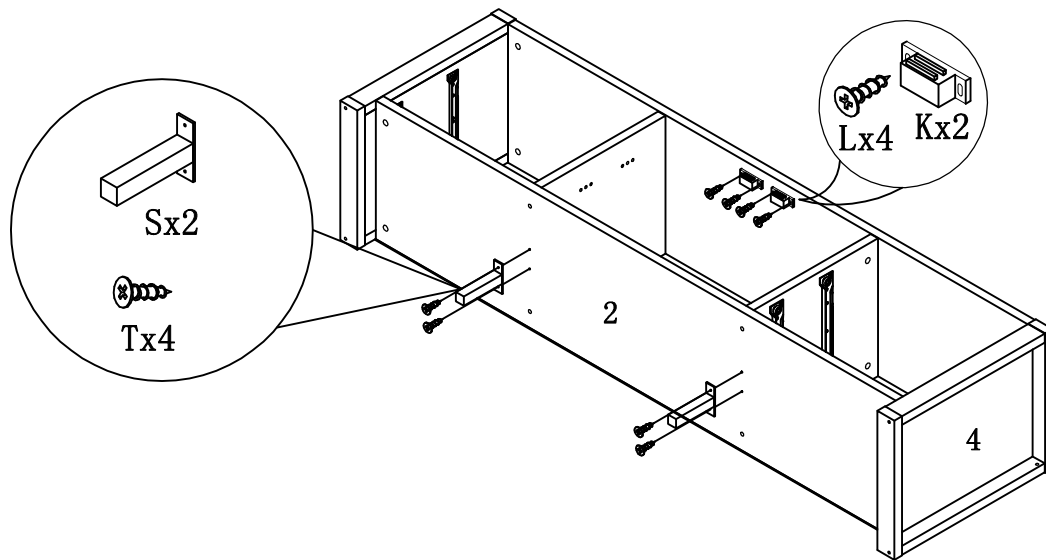


STEP 5 / ETAPE 5

STEP 6 / ETAPE 6

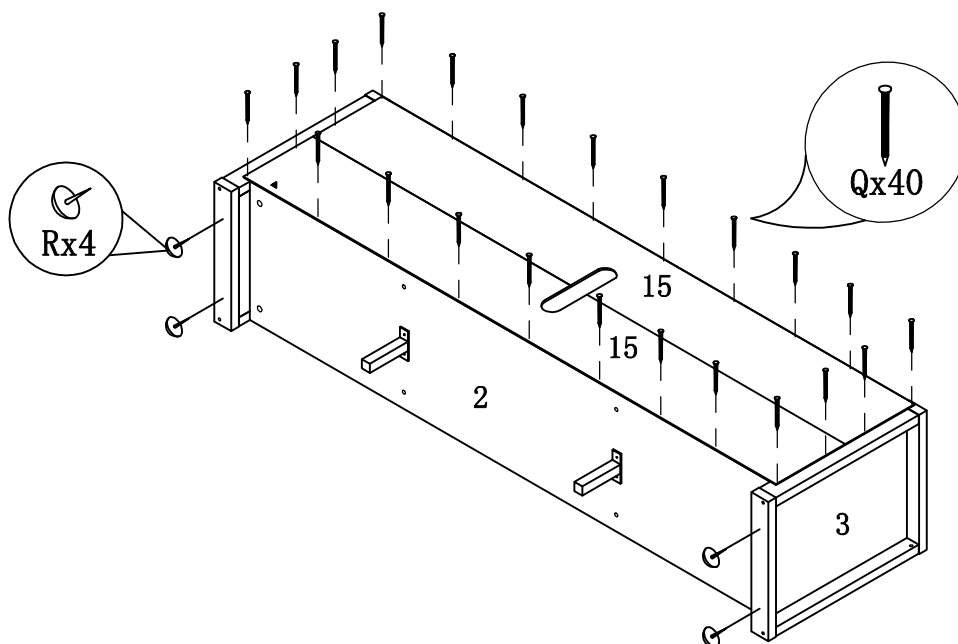


# ITEM NO/NO ARTICLE: ASH70TVS/151355

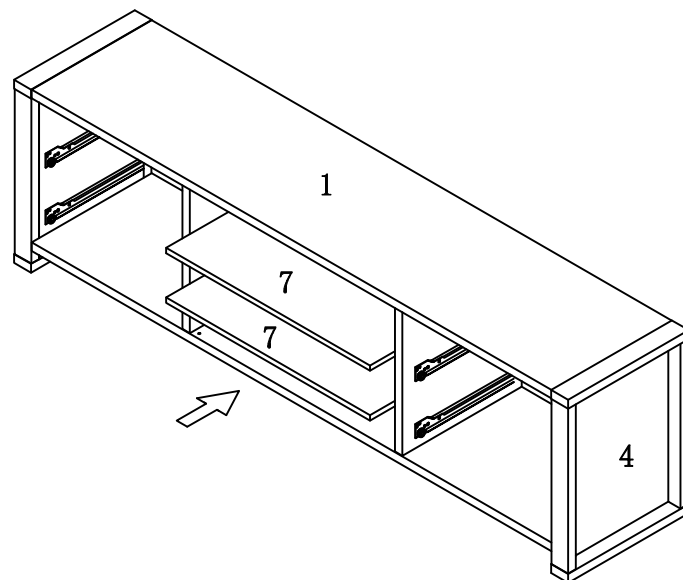


STEP 7 / ETAPE 7

STEP 8 / ETAPE 8

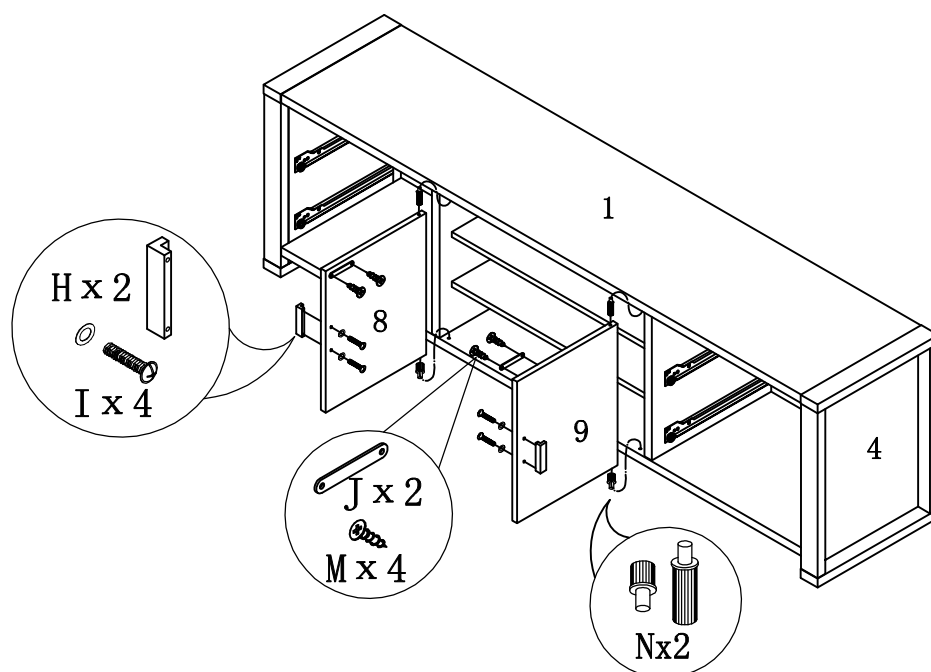


# ITEM NO/NO ARTICLE: ASH70TVS/151355



STEP 9 / ETAPE 9

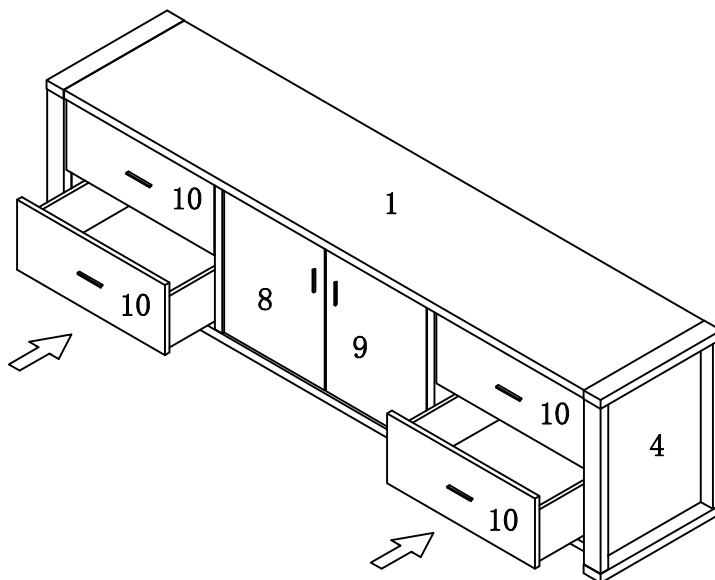
STEP 10 / ETAPE 10





# ITEM NO/NO ARTICLE: ASH70TVS/151355

---



STEP 11 / ETAPE 11

STEP 12 / ETAPE 12

